

A Series

ASW 650, ASW 250

Subwoofers

Español

Subwoofers Boston
A Series
Manual del Propietario /
Instrucciones de Seguridad /
Información de Cumplimiento

Italiano

Subwoofers
Manuale dell'utente /
Istruzioni di sicurezza /
Informazioni sulla conformità

Deutsch

Subwoofers
/ Sicherheitshinweise /
Konformitätserklärung

Français

Caissons de graves Boston A
Series / Guide de l'utilisateur
/ Instructions de sécurité /
Informations relatives à la
conformité

Svenska

Subwoofrar / Bruksanvisning
/ Säkerhetsanvisningar /
Information om
överensstämmelse



IMPORTANT SAFETY INSTRUCTIONS



This symbol found on the apparatus indicates hazards arising from dangerous voltages.



This symbol found on the apparatus indicates the user should read all safety statements found in the user manual.



This symbol found on the apparatus indicates double insulation.



WARNING! To reduce the risk of fire or electrical shock, do not expose this apparatus to rain or moisture.



This symbol found on the apparatus indicates that the apparatus must be placed in a separate collection facility for electronic waste and not disposed with household waste.

1. Read these instructions.
2. Keep these instructions.
3. Heed all warnings.
4. Follow all instructions.
5. Do not use this apparatus near water.
6. Clean only with dry cloth.
7. Do not block any ventilation openings. Install in accordance with the manufacturer's instructions.
8. Do not install near any heat sources such as radiators, heat registers, stoves, or other apparatus (including amplifiers) that produce heat.
9. Do not defeat the safety purpose of the polarized or grounding type plug. A polarized plug has two blades with one wider than the other. A grounding-type plug has two blades and a third grounding prong. The wide blade or the third prong is provided for your safety. If the provided plug does not fit into your outlet, consult an electrician for replacement of the obsolete outlet.
10. Protect the power cord from being walked on or pinched particularly at plugs, convenience receptacles, and the point where they exit from the apparatus.
11. Only use attachments/accessories specified by the manufacturer.
12. Unplug this apparatus during lightning storms or when unused for long periods of time.
13. Refer all servicing to qualified service personnel. Servicing is required when the apparatus has been damaged in any way, such as power-supply cord or plug is damaged, liquid has been spilled or objects have fallen into the apparatus, the apparatus has been exposed to rain or moisture, does not operate normally, or has been dropped.
14. Maintain a minimum distance of 2" (50mm) around the front, rear, and sides of the apparatus for sufficient ventilation. The ventilation should not be impeded by covering the ventilation openings or placing on or around the apparatus items such as newspapers, table-cloths, curtains, etc.
15. No open flame sources, such as lighted candles, should be placed on the apparatus.
16. The apparatus shall not be exposed to dripping or splashing. No objects filled with liquids, such as vases, shall be placed on the apparatus.
17. Either the power inlet connector on the rear of the apparatus or the power plug at the wall must remain accessible, to be able to disconnect power from the apparatus.
18. To completely disconnect this apparatus from the AC Mains, disconnect the power supply cord plug from the AC receptacle.
19. The mains plug of the power supply cord shall remain readily operable.



American Users:

Note: This equipment has been tested and found to comply with the limits for a Class B digital device, pursuant to part 15 of the FCC Rules. These limits are designed to provide reasonable protection against harmful interference in a residential installation. This equipment generates, uses, and can radiate radio frequency energy and, if not installed and used in accordance with the instructions, may cause harmful interference to radio communications. However, there is no guarantee that interference will not occur in a particular installation. If this equipment does cause harmful interference to radio or television reception, which can be determined by turning the equipment off and on, the user is encouraged to try to correct the interference by one or more of the following measures:

- Reorient or relocate the receiving antenna.
- Increase the separation between the equipment and receiver.
- Connect the equipment into an outlet on a circuit different from that to which the receiver is connected.
- Consult the dealer or an experienced radio/TV technician for help.



Canadian Users

This class B digital apparatus complies with Canadian ICES-003. Cet appareil numérique de classe B est conforme à la norme NMB-003 du Canada.

Specifications

	ASW 650	ASW 250
Frequency Range:	28Hz – 150Hz	35Hz – 150Hz
Amplifier Power:	300 watts RMS (650 watts Peak)	100 watts RMS (250 watts Peak)
Bass Driver:	10" (254mm) DCD	10" (254mm) DCD
Dimensions: (H x W x D)	15 ⁵ / ₁₆ x 14 ¹¹ / ₁₆ x 16 ³ / ₁₆ " (388 x 372 x 411mm)	14 ¹ / ₁₆ x 14 ¹¹ / ₁₆ x 16 ³ / ₈ " (356 x 372 x 415mm)

Introduction

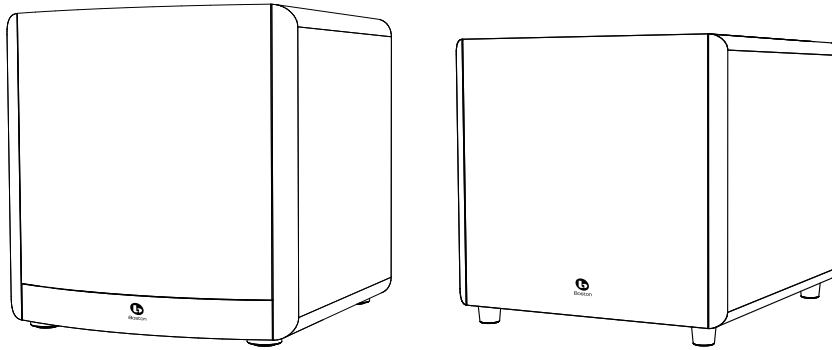
Boston A Series Subwoofers

Thank you for choosing Boston Acoustics. The A Series subwoofers incorporate high-quality components that produce the legendary Boston Sound. The subwoofers are ideally suited for use in a high-quality 5.1 channel home theater or stereo music system. They are capable of impressive deep bass and high output from remarkably compact enclosures. In addition, they feature BassTrac®, a proprietary Boston-designed circuit that tracks the input signal to the subwoofer and prevents its amplifier from being driven into audible distortion. The benefit: the bass stays clean and strong at any listening level.

Unpacking the System

Carefully unpack the subwoofer. If there is any sign of damage from transit, report it immediately to your dealer and/or delivery service. Keep the shipping carton and packing materials for future use. Be sure to keep your purchase receipt in a safe place, as it may be required for warranty purposes.

ASW 650 and ASW 250 subwoofers

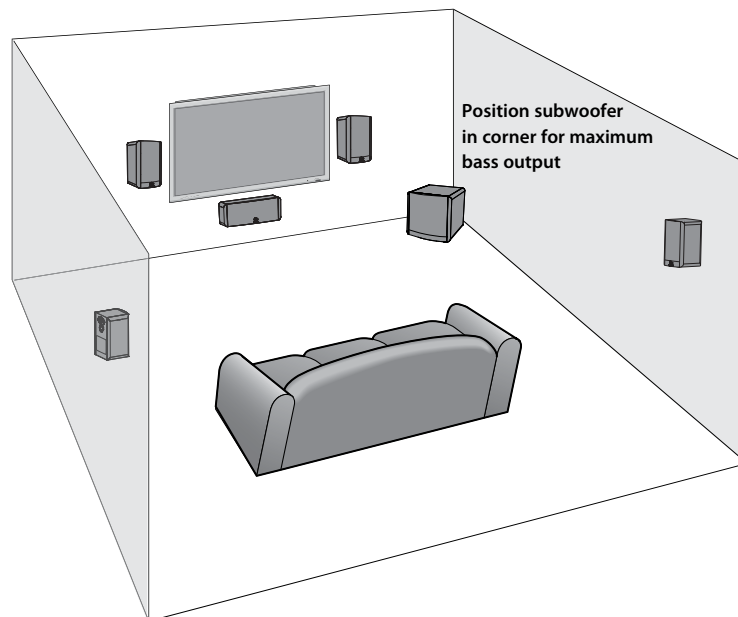


Placement Options

Place the subwoofer next to a wall or in a corner near your main speakers. The sound is typically best when the subwoofer is within 15 feet (4.5m) of the main speakers. The sharp 24dB/octave crossover roll-off permits placement farther from the main speakers if necessary. Since the ear is unable to localize the low frequencies of the subwoofer, the bass still appears to come from the main speakers. Experimentation is key, however most positions in the room will work well.

The level of bass output from the subwoofer will vary at different positions in a room. When placed near walls, its loudness is emphasized. Corner placement provides the most bass output. Placement completely away from walls may produce too little bass. Regardless of the natural bass level within the room you will always have the ability to adjust the level of the subwoofer from the built in volume control. If at any time you move the subwoofer be sure to check all of your settings.

IMPORTANT: Do not place the subwoofer where there is a chance of contact between the rear panel and drapes or furniture.



Connections

After your speakers are properly placed, you are ready to wire your system.

NOTE: Power is always supplied to the subwoofer electronics unless it is unplugged or switched to the *Mute* position using the *Audio On* switch located on the rear panel. The auto-on circuitry only activates or deactivates the power amplifier. Make sure your subwoofer and receiver are unplugged when making the connection (All models include a main power switch which turns off all power to the subwoofer).

Power: When plugging your subwoofer in be sure to use a wall outlet, or dedicated electrical outlet. Some receivers will provide a switched outlet. Do not use this. These on-board electrical outlets do not offer the amount of current or proper isolation required by a power amplifier, such as the one in your subwoofer.

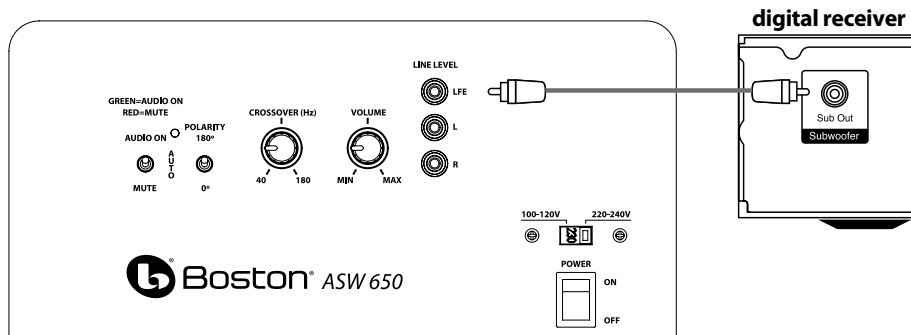
Line level or LFE: On most systems use the *line level* input or the *LFE* input. These inputs accept the line-level signal from your receiver's subwoofer output. Your receiver's manual should indicate which input is most appropriate.

Connecting the Subwoofer to Digital Home Theater Systems Using LFE

Digital 5.1, 6.1 and 7.1 home theater electronics dedicate one channel (the ".1") to reproduce the special low-frequency effects (LFE) information (such as explosions and thunder) contained in digitally-encoded soundtracks.

Select "subwoofer-yes" from your receiver's set-up menu. Hooked up this way, the receiver's amplifier is relieved of having to reproduce the difficult low bass signals that can drive the receiver into audible distortion. In some cases it can also depend on several other settings within a receiver. We recommend consulting your receiver manual for further assistance in this area.

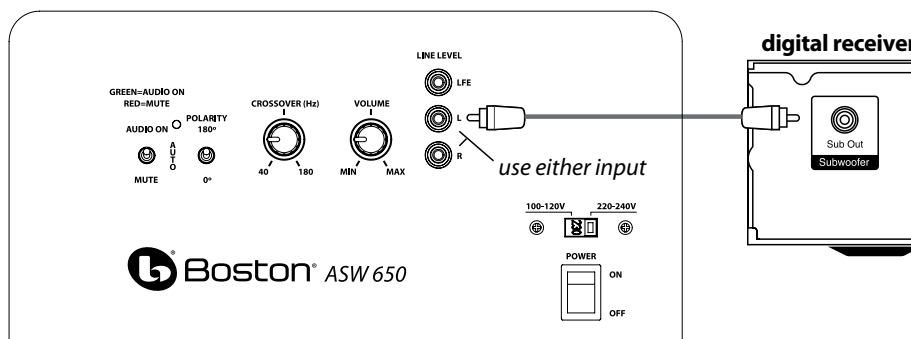
Use an RCA cable (not included), as shown, to connect your digital receiver's LFE/subwoofer output to the subwoofer.



Connect the other end to the *Line Level/LFE* input.

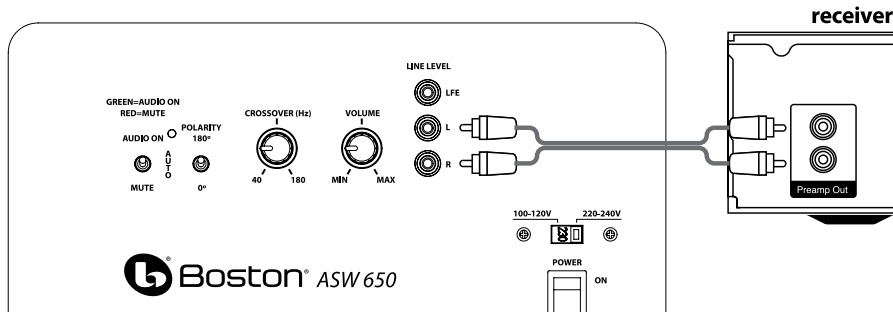
Connecting the Subwoofer to Stereo

For stereo use the "sub out" connection from your receiver to the input on the subwoofer marked "L" or "R".



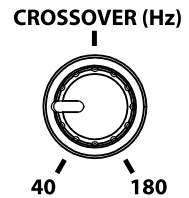
Connecting to Electronics Without a Subwoofer Output

If the receiver in your system does not have a subwoofer or LFE output you can connect the subwoofer to a preamp output. Use a stereo RCA cable (not included) to connect the preamp outputs to the "L" and "R" *Line Level* inputs.



Adjusting the Crossover Control

When using the *Line Level* inputs (not the *LFE* input) the subwoofer's built-in crossover is engaged. As a starting point, set the crossover control on the subwoofer about 10Hz higher than the lower limit of your main speakers' bass response. Fine-tune the crossover setting by ear for the smoothest blend with your main speakers. The best setting of the crossover control will depend on speaker placement and personal preference.



Operation

Audio On/Auto/Mute

Plug the subwoofer's AC cord into a wall outlet. Do not use the outlets on the back of the receiver. Set the audio switch to the desired setting.

AUDIO ON – The subwoofer audio is always on.

AUTO – The subwoofer audio will turn on whenever a signal is detected. If no signal is detected after several minutes, it will automatically enter the Mute mode.

MUTE – The subwoofer is muted and will not produce any sound. You may turn off the main power switch, if you will not be using it for some time or wish to conserve electricity.

An LED indicator next to the *Polarity* switch indicates what mode the subwoofer is in:

OFF – The subwoofer is unplugged (or the main power switch is off)

RED – Mute (No signal detected, Amp Off)

GREEN – Audio On (Signal detected, Amp On)

The subwoofer will automatically enter the Mute mode after several minutes when no signal is detected from your system. The subwoofer audio will then turn ON instantly when a signal is detected.

Polarity Control

(0° or 180°): Selects regular (0°) or inverted (180°) phase for the subwoofer. Set this switch to provide the fullest, most dynamic bass. The effect of phase will be most audible on low-frequency percussion instruments or music with a continuously repeating bass line.

Crossover Control

Adjusts the frequency of the low pass filter for the subwoofer. **Note:** This control is not active when using the LFE input jack.

Volume Control

Turn the subwoofer *Volume* control to the 11 o'clock position. If no sound emanates from the subwoofer, check the AC-line cord, *Audio On* switch, *Power* switch, and input cables.

Adjust the subwoofer *Volume* control until you hear a match between the main speaker and subwoofer. Bass response should not overpower the room but rather be adjusted so there is a natural blend across the entire musical range.

Maintenance and Service

All wiring connections should be inspected and cleaned or remade at least once a year.

If a problem does occur, make sure that all connections are properly made, secure and clean. If a problem occurs in one loudspeaker, rewire that speaker in a different location within the system. Should the problem persist then the problem is within the speaker. If the speaker sounds fine in the new position it is a strong indication of a more in depth issue with the electronics in the system. In the event that your speakers ever need service, contact your local Boston Acoustics dealer or visit bostonacoustics.com/dealers for a list of dealers in your area.

Limited Warranty

Boston Acoustics warrants to the original purchaser of an A Series subwoofer that it will be free of defects in materials and workmanship in its mechanical parts for a period of 5 years from the date of purchase. The warranty period for the electrical components is 1 year.

Your responsibilities are to install and use them according to the instructions supplied, to provide safe and secure transportation to an authorized Boston Acoustics service representative, and to present proof of purchase in the form of your sales slip when requesting service.

Excluded from this warranty is damage that results from abuse, misuse, improper installation, accidents, shipping, or repairs/modifications by anyone other than an authorized Boston Acoustics service representative.

This warranty is limited to the Boston Acoustics product and does not cover damage to any associated equipment. This warranty does not cover the cost of removal or reinstallation. This warranty is void if the serial number has been removed or defaced. This warranty gives you specific legal rights, and you may also have other rights which vary from state to state.

If Service Seems Necessary

United States

First, contact the dealer from whom you purchased the product. If that is not possible, send an email to: support@bostona.com or write to:

Boston Acoustics, Inc.
100 Corporate Drive
Mahwah, NJ 07490 USA

Canada

First, contact the dealer from whom you purchased the product. If that is not possible, send an email to: support@dmcanada.ca or write to:

D&M Canada
5-505 Apple Creek Blvd
Markham, ON L3R 5B1

All Other Countries

Contact the dealer from whom you purchased the product or contact your local distributor.

For more information, please visit bostonacoustics.com/support



For EU Customers Only

This symbol found on the product indicates that the product must not be disposed of with household waste. Instead, it may be placed in a separate collection facility for electronic waste or returned to a retailer when purchasing similar product. The producer paid to recycle this product. Doing this contributes to reuse and recycling, minimizes adverse effects on the environment and human health and avoids any fines for incorrect disposal

INSTRUCCIONES DE SEGURIDAD IMPORTANTES



Este símbolo que se encuentra en el aparato indica peligros derivados de niveles de energía peligrosos.



Este símbolo que se encuentra en el aparato indica que el usuario debería leer todas las declaraciones de seguridad que se encuentran en el manual del usuario.



Este símbolo que se encuentra en el aparato indica un doble aislamiento.

1. Lea estas instrucciones.
2. Conserve estas instrucciones.
3. Preste atención a todas las advertencias.
4. Siga todas las instrucciones.
5. No utilice este aparato cerca del agua.
6. Límpielo sólo con un paño seco.
7. No bloquee ninguna abertura de ventilación. Instálelo de acuerdo con las instrucciones del fabricante.
8. No lo instale cerca de ninguna fuente de calor como radiadores, registradores térmicos, estufas u otros aparatos (incluidos amplificadores) que produzcan calor.
9. No elimine la finalidad de seguridad del enchufe de tipo de puesta a tierra o polarizado. Un enchufe polarizado tiene dos patas con una más ancha que la otra. Un enchufe de tipo de puesta a tierra tiene dos patas y un tercer terminal de puesta a tierra. La pata ancha o el tercer terminal se suministran para su seguridad. Si el terminal suministrado no encaja en su toma de corriente, consulte a un electricista cómo realizar el cambio de la toma de corriente obsoleta.
10. Procure que el cable eléctrico no se pise ni resulte atrapado, especialmente en los enchufes, las tomas de corriente y el punto donde sale del aparato.
11. Utilice sólo implementos / accesorios especificados por el fabricante.
12. Desenchufe el aparato durante tormentas eléctricas o cuando no vaya a utilizarse por períodos de tiempo prolongados.
13. Encargue todas las revisiones a personal de servicio cualificado. Se precisa servicio cuando el aparato haya resultado dañado de cualquier forma, como cuando el cable eléctrico o el enchufe están dañados, se ha vertido líquido o se han introducido objetos en el aparato, el aparato se ha expuesto a la lluvia o la humedad, no funciona normalmente o ha caído.
14. Mantenga una distancia mínima de 2" (50 mm) alrededor de la parte delantera, trasera y a los lados del aparato para que haya una ventilación suficiente. No debería impedirse la ventilación cubriendo las aberturas de ventilación ni poniendo encima ni alrededor del aparato objetos tales como periódicos, manteles, cortinas, etc.



¡ADVERTENCIA! Para reducir el riesgo de incendio o descarga eléctrica, no exponga este aparato a la lluvia o la humedad.



Este símbolo que se encuentra en el aparato indica que el aparato debe depositarse en un lugar de recogida aparte para residuos electrónicos y no desecharse junto con los residuos domésticos.

15. No debería ponerse sobre el aparato ninguna fuente de llama viva, como velas encendidas.
16. El aparato no debe verse expuesto a goteo ni salpicaduras. No debe ponerse sobre el aparato ningún objeto que contenga líquidos, como jarrones.
17. El conector de entrada eléctrico en la parte trasera del aparato o el enchufe eléctrico en la pared deben permanecer accesibles, para poder desconectar la alimentación del aparato.
18. Para desconectar completamente este aparato de la red de CA, desconecte el enchufe del cable eléctrico de la toma de corriente de CA.
19. El enchufe de red del cable eléctrico debe permanecer operativo en todo momento.



Usuarios de los Estados Unidos:

Nota: este equipo ha sido probado y se ha considerado que está dentro de los límites de dispositivos digitales de clase B, de conformidad con la parte 15 de las normas de la Comisión Federal de Comunicaciones. Estos límites están diseñados para ofrecer una protección razonable contra interferencias perjudiciales en una instalación residencial. Este equipo genera, utiliza y puede irradiar energía de radiofrecuencia y, si no se instala y utiliza de acuerdo con las instrucciones, puede ocasionar interferencias perjudiciales para las comunicaciones de radio. Sin embargo, no hay ninguna garantía de que no vayan a producirse interferencias en una instalación concreta. Si este equipo ocasiona interferencias perjudiciales en la recepción de radio o televisión, lo cual puede determinarse conectando y desconectando el equipo, se aconseja al usuario que trate de corregir la interferencia mediante una o más de las medidas siguientes:

- Vuelva a orientar o vuelva a colocar la antena receptora.
- Aumente la separación entre el equipo y el receptor.
- Conecte el equipo a una toma de corriente en un circuito diferente a aquel en el que el receptor esté conectado.
- Consulte al distribuidor o a un técnico de radio / TV experto para pedir ayuda.



Usuarios de Canadá:

Este aparato digital de clase B cumple la norma canadiense ICES-003.

Este aparato numérico de clase B cumple la norma NMB-003 de Canadá.

Especificaciones

	ASW 650	ASW 250
Margen de frecuencias:	28Hz – 150Hz	35Hz – 150Hz
Potencia del amplificador:	300 vatios RMS (650 watt de pico)	100 vatios RMS (250 watt de pico)
Unidad de bajos:	10" (254mm) DCD	10" (254mm) DCD
Dimensiones: (A x A x P)	15 ⁵ / ₁₆ x 14 ¹¹ / ₁₆ x 16 ³ / ₁₆ " (388 x 372 x 411mm)	14 ¹ / ₁₆ x 14 ¹¹ / ₁₆ x 16 ³ / ₈ " (356 x 372 x 415mm)

Introducción

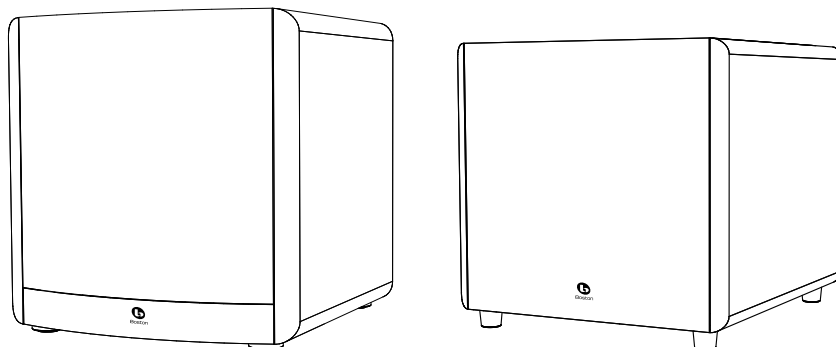
Subwoofers Boston Acoustics Serie A

Gracias por escoger Boston Acoustics. Los subwoofers Serie A incorporan componentes de alta calidad que producen el legendario sonido de Boston. Los subwoofers son ideales para el uso en un sistema musical estéreo o home theater de 5.1 canales de alta calidad. Pueden producir unos bajos profundos impresionantes y una intensidad elevada desde unas cajas muy compactas. Además, presentan BassTrac[®], un circuito patentado diseñado por Boston que sigue la señal de entrada hasta el subwoofer e impide que su amplificador sufra una distorsión audible. La ventaja: los bajos es que se mantienen limpios y resistentes con cualquier nivel de sonido.

Desembalaje del sistema

Desembale con cuidado el subwoofer. Si hay alguna señal de daños debidos al transporte, comuníquela inmediatamente a su concesionario y / o servicio de entrega. Conserve la caja de cartón del envío y los materiales de embalaje para uso futuro. Asegúrese de conservar su recibo de compra en un lugar seguro, dado que puede necesitarlo para hacer uso de la garantía.

Subwoofers ASW 650, y ASW 250

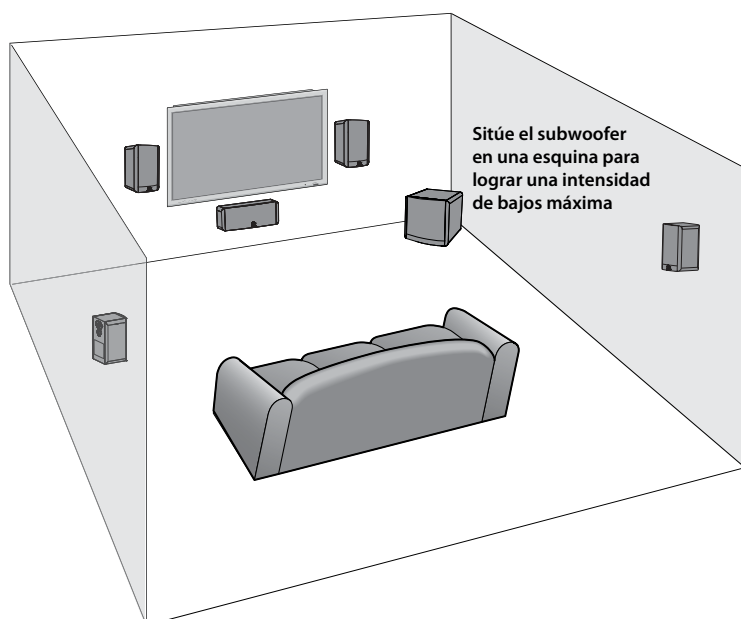


Opciones de colocación

Ponga el subwoofer al lado de una pared o en una esquina cerca de sus altavoces principales. El sonido es habitualmente mejor cuando el subwoofer se encuentra a menos de 15 pies (4,5 m) de los altavoces principales. La elevada atenuación progresiva de 24 dB / octava de la frecuencia de cruce permite colocarlos más lejos de los altavoces principales si es necesario. Dado que el oído no puede localizar las bajas frecuencias del subwoofer, los bajos todavía parecen provenir de los altavoces principales. Aunque la experimentación es clave, el dispositivo funcionará bien en la mayoría de las posiciones de la habitación.

El nivel de intensidad de bajos del subwoofer variará en diferentes posiciones en una habitación. Cuando se coloca cerca de las paredes, se enfatiza su intensidad de bajos. La colocación en una esquina proporciona la mayor intensidad de bajos. La colocación muy separado de las paredes puede producir unos bajos demasiado reducidos. Independientemente del nivel de bajos natural dentro de la habitación, siempre tendrá la capacidad de ajustar el nivel del subwoofer desde el control de volumen incorporado. Si en cualquier momento mueve el subwoofer, asegúrese de comprobar todos sus ajustes.

IMPORTANTE: no coloque el subwoofer donde exista la posibilidad de un contacto entre el panel trasero y cortinas o muebles.



Conexiones

Tras colocar sus altavoces de la forma adecuada, estará listo para disponer el cableado de su sistema.

NOTA: alimentación al sistema electrónico del subwoofer a no ser que esté desenchufado o desconectado en la posición "Mute" utilizando el interruptor Audio encendido de alimentación situado en el panel trasero. Los circuitos de activación automática sólo activan o desactivan el amplificador de potencia. Asegúrese de que su subwoofer y receptor estén desenchufados al realizar la conexión (los modelos 230v incluyen un interruptor de suministro principal que desconecta todo el suministro del subwoofer).

Alimentación: al enchufar su subwoofer asegúrese de usar una toma de corriente de pared o una toma eléctrica especializada. Algunos receptores proporcionarán una toma de corriente conmutada. No la utilice. Estas tomas de corriente eléctricas incorporadas no ofrecen la cantidad de corriente o el aislamiento adecuado requerido por un amplificador de potencia, como el de su subwoofer.

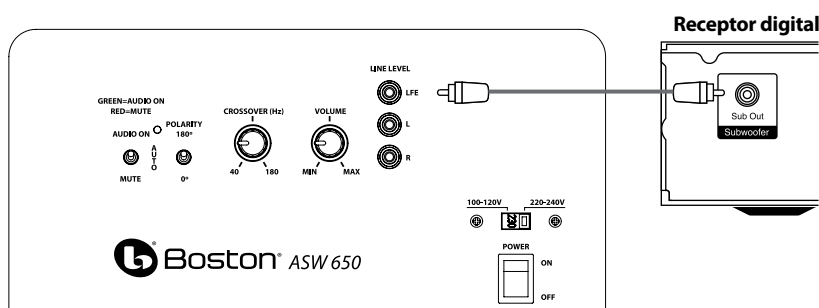
Line level (nivel de línea) o LFE (BF): en la mayoría de sistemas, utilice la entrada LFE (BF) o line level de entrada (nivel de línea de entrada). Estas entradas aceptan la señal de nivel de línea de la salida de subwoofer de su receptor. El manual de su receptor debería indicar qué entrada es la más apropiada.

Conexión del subwoofer a los sistemas home theater digitales utilizando LFE (BF)

Los sistemas electrónicos de los home theater digitales 5.1, 6.1 y 7.1 dedican un canal (el ".1") a reproducir la información especial de bajas frecuencias (BF) (como explosiones y truenos) contenida en las pistas sonoras codificadas digitalmente.

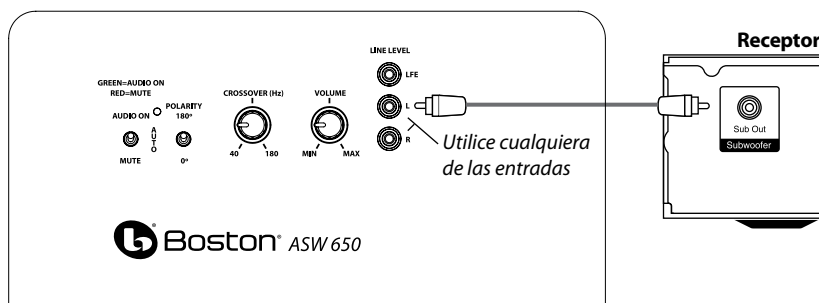
Seleccione "subwoofer-sí" en el menú de ajuste de su receptor. Conectado de esta forma, el amplificador del receptor se libera de tener que reproducir las difíciles señales de bajos que pueden ocasionar distorsión audible en el receptor. En algunos casos también puede depender de varios ajustes diversos en un receptor. Recomendamos consultar el manual de su receptor para obtener más asistencia en esta área.

Utilice un cable RCA (no incluido), tal como se muestra, para conectar la salida de subwoofer LFE (BF) de su receptor digital al subwoofer. Conecte el otro extremo a la entrada *Line Level/LFE* (BF).



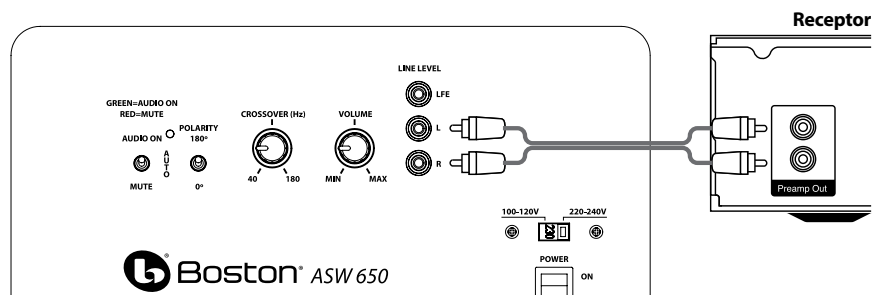
Conexión del subwoofer a estéreo

Para sistemas estéreo utilice la conexión "sub out" de su receptor hasta la entrada del subwoofer marcada como "L" (izquierda) y "R" (derecha).



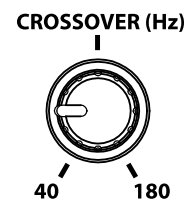
Conexión al sistema electrónico sin una salida de subwoofer

Si el sistema electrónico en su sistema no tiene una salida de subwoofer o LFE (BF), puede conectar las subwoofer CPS a una salida de pre-amplificador. Utilice un cable RCA estéreo (no incluido) para conectar las salidas de pre-amplificador a las entradas line level "L" y "R" (nivel de entrada izquierda y derecha).



Ajuste del control de frecuencia de cruce

Al utilizar las entradas line level (nivel de línea) (no la entrada LFE (BF)), entra en funcionamiento el circuito de división de frecuencias incorporado del subwoofer. Como punto de partida, ajuste el control de frecuencia de cruce en el subwoofer aproximadamente 10 Hz por encima del límite inferior de la respuesta de bajos de sus altavoces principales. Realice una sintonización fina del ajuste del circuito de división de frecuencias de oído para obtener la mezcla más suave con sus altavoces principales. El mejor ajuste para el control de frecuencia de cruce dependerá de la colocación de los altavoces y la preferencia personal.



Funcionamiento

Audio On (Encendido) / Auto (Automático) / Mudo (En espera)

Enchufe el cable de CA del subwoofer en una toma de corriente de pared. No utilice las tomas de corriente de la parte trasera del receptor. Ajuste el interruptor de alimentación a la posición deseada.

AUDIO ON – El subwoofer está siempre encendido.

AUTO – El subwoofer se activará siempre que se detecte una señal. Si no se detecta ninguna señal tras varios minutos, automáticamente entrará en el modo de espera.

MUTE – El subwoofer está mudo y no producirá ningún sonido. Tal vez desee desactivar su subwoofer si no va a utilizarlo durante algún tiempo o desea ahorrar electricidad. (Puede desconectar la alimentación principal, ubicada junto al cable de alimentación)

Un indicador de LED entre el interruptor **Power** (alimentación) y el interruptor **Polarity** (polaridad) indica en qué modo está el subwoofer.

APAGADO – El subwoofer está desenchufado (o el interruptor de alimentación principal está apagado)

ROJO – MUDO (ninguna señal detectada, amplificador desactivado)

VERDE – AUDIO ON (señal detectada, amplificador activado)

El subwoofer entrará automáticamente en el modo de espera tras varios minutos sin detectarse ninguna señal desde su sistema. A continuación, el subwoofer se activará instantáneamente cuando se detecte una señal.

Control de frecuencia de cruce

Ajusta la frecuencia del filtro de paso bajo para el subwoofer. **Nota:** este control no está activo al utilizar el conector de entrada LFE (BF).

Control de volumen

Ponga el control **Volume** (volumen) del subwoofer en la posición de las 11. Si el subwoofer no emite ningún sonido, compruebe el cable eléctrico de CA, interruptor de **Audio** encendido, el interruptor alimentación (alimentación) y los cables de entrada.

Ajuste el control **Volume** (volumen) hasta que oiga una correspondencia entre el altavoz principal y el subwoofer. La respuesta de los bajos no debería tener una intensidad demasiado alta para la habitación sino que debería ajustarse de forma que se produzca una mezcla natural en todo la gama musical.

Control de polaridad

(0° or 180°): selecciona la fase regular (0°) o invertida (180°) para el subwoofer. Ajuste este interruptor para proporcionar los bajos más completos y dinámicos. El efecto de la fase se oirá más en música o instrumentos de percusión de bajas frecuencias con una línea de bajos con repetición continua.

Mantenimiento y Servicio

Todas las conexiones de cableado deben inspeccionarse y limpiarse o establecerse de nuevo por lo menos una vez al año.

Si se produce algún problema, asegúrese de que todas las conexiones se han realizado adecuadamente, y que están sujetas y limpias. Si se produce un problema en un altavoz, vuelva a cablear ese altavoz en una ubicación diferente en el sistema. Si el problema persiste, el problema está en el altavoz. Si suena bien en la nueva posición, es una indicación muy clara de que hay un problema de mayor calado en la electrónica del sistema. En el caso de que sus altavoces necesiten asistencia técnica, póngase en contacto con su distribuidor local de Boston Acoustics o visite bostonacoustics.com para conseguir un listado de distribuidores en su zona.

Garantía Limitada

Boston Acoustics garantiza al comprador original de nuestros altavoces de la A Series que éstos no cuentan con defectos en los materiales y ofrece una garantía de mano de obra por sus piezas mecánicas por un periodo de 5 años a partir de la fecha de compra.

Es responsabilidad suya instalarlos y utilizarlos de acuerdo con las instrucciones suministradas, proporcionar un transporte seguro hasta un representante de servicio autorizado de Boston Acoustics, y presentar la prueba de compra en forma de recibo de compra cuando sea necesario este servicio.

Quedan excluidos de esta garantía los daños que resulten del abuso, del mal uso, de una instalación inadecuada, de accidentes, del transporte, o de reparaciones/modificaciones por parte de cualquiera que no sea el representante de servicio autorizado de Boston Acoustics.

Esta garantía está limitada al producto de Boston Acoustics y no cubre daños de cualquier equipo asociado. Esta garantía no cubre el coste de retirada o reinstalación. Esta garantía queda anulada si se ha eliminado o borrado el número de serie. Esta garantía le proporciona derechos legales específicos, y puede tener también otros derechos que pueden variar según el país.

Si cree que necesita asistencia técnica

De los Estados Unidos

En primer lugar, en contacto con el distribuidor donde adquirió el producto.

Si eso no es posible, envíe un correo electrónico a: support@bostona.com

o escriba a:

Boston Acoustics, Inc.
100 Corporate Drive
Mahwah, NJ 07490 USA

Canadá

En primer lugar, en contacto con el distribuidor donde adquirió el producto.

Si eso no es posible, envíe un emailto: support@dmcanada.ca

o escriba a:

D&M Canada
5-505 Apple Creek Blvd
Markham, ON L3R 5B1

Resto de los países

En contacto con el distribuidor donde adquirió el producto o póngase en contacto con su distribuidor local.

Para obtener más información, visite bostonacoustics.com/support

Sólo para clientes de la UE



Este símbolo que aparece en el producto indica que éste no debe ser eliminado con la basura doméstica. Sino que, debe colocarse en un punto de recogida separada para desechos electrónicos o devuelto a un establecimiento minorista al comprar un producto similar. El fabricante ha pagado para reciclar este producto. Haciendo esto contribuye a reutilizar y reciclar, minimiza los efectos adversos sobre el medioambiente y la salud humana y evita cualquier multa por una eliminación incorrecta

INSTRUCTIONS IMPORTANTES RELATIVES À LA SÉCURITÉ



Ce symbole rencontré sur l'appareil indique les risques résultant des tensions dangereuses.



Ce symbole rencontré sur l'appareil indique que l'utilisateur doit lire toutes les déclarations de sécurité apparaissant dans le guide de l'utilisateur.



Ce symbole rencontré sur l'appareil indique une double-isolation.

1. Veuillez lire ces instructions.
2. Conservez ces instructions.
3. Tenez compte de tous les avertissements.
4. Respectez toutes les instructions.
5. N'utilisez pas cet appareil à proximité d'une source d'eau.
6. Nettoyez l'appareil uniquement à l'aide d'un chiffon sec.
7. Ne bloquez aucun des orifices de ventilation. Procédez à l'installation conformément aux instructions du fabricant.
8. N'installez pas cet appareil près de sources de chaleur telles que radiateurs, bouches d'air chaud, cuisinières, ou d'autres appareils (y compris des amplificateurs) produisant de la chaleur.
9. Ne supprimez pas la fonction de sécurité de la fiche polarisée ou de la fiche avec tige de mise à la masse. Une fiche polarisée comporte deux broches dont l'une est plus large que l'autre. Une fiche avec tige de mise à la masse comporte deux broches et une troisième tige permettant de connecter l'appareil à la masse. La broche large ou la troisième broche est prévue pour votre sécurité. Si la fiche fournie ne s'adapte pas à votre prise électrique, consultez un électricien afin de procéder au remplacement de la prise obsolète.
10. Évitez de marcher sur le cordon électrique ou de le pincer, en particulier au niveau des prises d'alimentation, des socles des prises d'alimentation et du point de sortie du cordon de l'appareil.
11. N'utilisez que des accessoires spécifiés par le fabricant.
12. Débranchez cet appareil durant les orages ou lorsqu'il n'est pas utilisé pendant des périodes prolongées.
13. Utilisez du personnel d'entretien qualifié pour tous les travaux de réparation. Une réparation est requise lorsque l'appareil a été endommagé d'une manière quelconque ; c'est le cas, par exemple, lorsqu'un cordon d'alimentation ou une fiche est endommagé(e), en cas de renversement d'un liquide sur l'appareil ou lorsque des objets sont tombés dans l'appareil par les orifices de ventilation, si l'appareil a été exposé à la pluie ou à l'humidité, s'il ne fonctionne pas correctement ou si vous l'avez fait tomber.
14. Maintenez une distance minimale de 50mm à l'avant, à l'arrière et sur les côtés de l'appareil afin de permettre une ventilation suffisante. Il convient de ne pas restreindre la ventilation en couvrant les orifices d'aération ou en plaçant sur ou autour de l'appareil des objets tels que des journaux, des nappes, des rideaux, etc.



ATTENTION ! Afin de réduire le risque d'incendie ou de choc électrique, ne pas exposer cet appareil à la pluie ou à l'humidité.



Ce symbole rencontré sur l'appareil indique que celui-ci doit être placé dans une installation de collecte distincte et ne doit pas être éliminé avec les déchets ménagers.

15. Ne placez aucune source de flammes, comme des bougies allumées, sur l'appareil.
16. L'appareil ne doit pas être exposé à des risques d'éclaboussure ou de renversement de liquide. Ne posez dessus aucun objet rempli de liquide, tel que des vases.
17. Le connecteur d'alimentation à l'arrière de l'appareil ou la prise d'alimentation murale doit rester accessible, de manière à pouvoir débrancher l'appareil.
18. Pour débrancher complètement cet appareil du secteur, déconnectez la fiche du cordon d'alimentation du socle de la prise de courant.
19. La fiche du cordon d'alimentation doit pouvoir être facile à accéder et utiliser.



Utilisateurs américains :

Remarque : Cet équipement a été testé et a été trouvé conforme aux limites pour un dispositif numérique de Classe B, en vertu de la partie 15 des Règles de la FCC. Ces limites sont conçues pour procurer une protection raisonnable contre les interférences négatives dans une installation résidentielle.

Cet équipement génère, utilise et peut irradier de l'énergie de radiofréquence et, s'il n'est pas installé et utilisé en respectant les instructions, peut provoquer des interférences négatives pour les communications radio. Toutefois, nous ne pouvons pas garantir qu'il ne se produira pas d'interférences dans une installation particulière. Si cet équipement provoque effectivement des interférences négatives pour la réception radio ou télé, ce qui peut être déterminé en éteignant puis en rallumant l'équipement, nous conseillons à l'utilisateur d'essayer de corriger cette interférence en appliquant une ou plusieurs des mesures suivantes :

- Réorienter ou repositionner l'antenne de réception.
- Augmenter la distance séparant l'équipement et le récepteur.
- Connecter l'équipement dans une prise appartenant à un circuit différent de celui auquel le récepteur est raccordé.



Utilisateurs canadiens

Cet appareil numérique de classe B est conforme à la norme NMB-003 du Canada.

Spécifications

	ASW 650	ASW 250
Plage de fréquences :	28Hz – 150Hz	35Hz – 150Hz
Puissance de l'amplificateur :	300 watts RMS (Puissance max. 650 watts)	100 watts RMS (Puissance max. 250 watts)
Haut-parleur de graves :	10" (254mm) DCD	10" (254mm) DCD
Dimensions : (H x L x P)	15 ⁵ / ₁₆ x 14 ¹¹ / ₁₆ x 16 ³ / ₁₆ " (388 x 372 x 411mm)	14 ¹ / ₁₆ x 14 ¹¹ / ₁₆ x 16 ³ / ₈ " (356 x 372 x 415mm)

Introduction

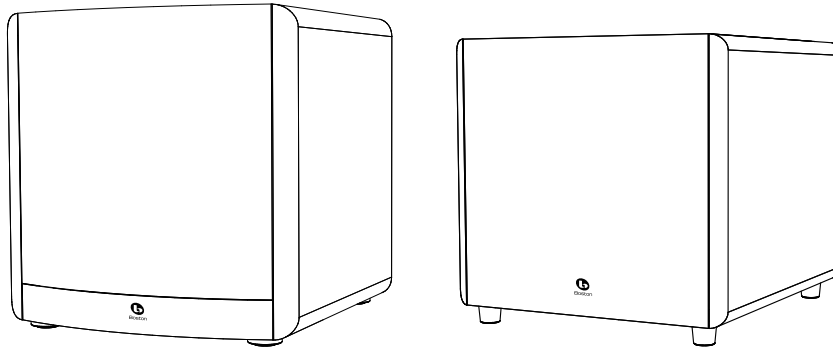
Caissons de graves Boston Acoustics de série A

Merci d'avoir choisi Boston Acoustics. Les caissons de graves de la série A incorporent des composants de haute qualité qui produisent le célèbre son (Légendaire) de Boston. Ces caissons de graves sont idéaux pour une utilisation dans le cadre d'un système de Home cinéma de haute qualité à 5.1 canaux ou d'une chaîne Hi-fi stéréo. Ils sont capables de produire des graves d'une profondeur impressionnante et d'une puissance élevée à partir de coffrets remarquablement compacts. En outre, ils sont équipés de BassTrac®, un circuit exclusif conçu par Boston qui suit la trace du signal d'entrée vers le caisson de grave et évite que l'amplificateur ne produise une distorsion audible. L'avantage : les graves restent propres et puissantes à n'importe quel niveau d'écoute.

Désemballage du système

Désemballer le caisson de graves avec précautions. Si vous vous rendez compte que l'équipement a subi des dommages quelconques durant son transport, signalez-le immédiatement à votre revendeur et/ou service de livraison. Conservez le carton de transport et les matériaux d'emballage pour usage futur. Veillez à conserver soigneusement votre ticket d'achat dans un endroit sûr, car il pourrait vous être demandé dans le cadre de la garantie.

Caissons de graves ASW 650 et ASW 250 avec pieds escamotables

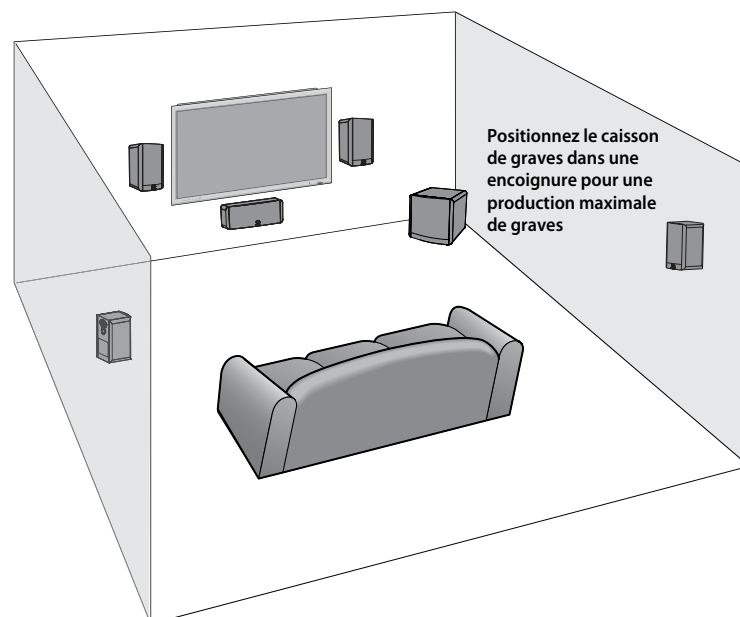


Options de positionnement

Placez le caisson de graves à proximité d'un mur ou dans une encoignure près de vos haut-parleurs principaux. Typiquement, le son est meilleur lorsque le caisson de graves est dans un rayon de 4,5m des haut-parleurs principaux. La pente aiguë de 24dB/octave du répartiteur permet un positionnement plus éloigné des haut-parleurs principaux si nécessaire. Étant donné que l'oreille est incapable de localiser les basses fréquences du caisson de graves, les graves semblent toujours provenir des haut-parleurs principaux. Il est essentiel d'expérimenter en essayant différents positionnements, toutefois, la plupart des positions dans la pièce seront adéquates.

Le niveau sonore des graves provenant du subwoofer varie en fonction de son positionnement dans une pièce. Lorsqu'il est placé à proximité de murs, son volume sonore est amplifié. Un positionnement dans une encoignure produit les sons les plus graves. Un positionnement complètement éloigné des murs pourrait produire des graves insuffisants. Quel que soit le niveau de graves naturel à l'intérieur de la pièce, vous aurez toujours la possibilité de régler le volume du caisson de graves grâce à la commande incorporée. Si vous déplacez à tout moment le caisson de graves, veillez à bien vérifier tous vos réglages.

IMPORTANT : Ne placez pas le caisson de graves dans un endroit où il existe un risque de contact entre le panneau arrière et des draperies ou des meubles.



Connexions

Une fois que vos haut-parleurs sont correctement positionnés, vous êtes prêt à connecter votre système.

REMARQUE : L'électronique du caisson de graves est toujours alimentée en courant électrique à moins que celui-ci ne soit débranché ou que l'interrupteur situé sur le panneau arrière ne soit en position d'arrêt (*Mute*). Le circuit 'auto-on' a pour seule fonction d'activer ou de désactiver l'amplificateur de puissance. Veillez à ce que votre caisson de graves et votre récepteur soient débranchés lorsque vous effectuez le raccordement (230v models include a main power switch which turns off all power of the subwoofer).

Alimentation électrique : Lorsque vous branchez votre caisson de graves, veillez à utiliser une prise murale ou une prise de courant réservée à cet effet. Certains récepteurs sont équipés de prises à commutateur. Ne les utilisez pas. Ces prises de courant embarquées sur des panneaux ne procurent pas la quantité de courant ou l'isolation correcte requise par un amplificateur de puissance, comme celle de votre caisson de graves.

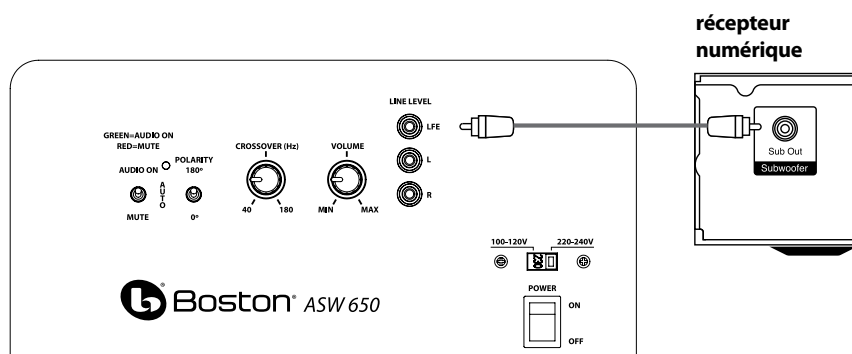
Niveau de ligne ou LFE : Sur la plupart des systèmes, utilisez l'entrée du niveau de ligne ou l'entrée LFE. Ces entrées acceptent le signal de niveau de ligne provenant de la sortie du caisson de graves de votre récepteur. Le manuel de votre récepteur devrait indiquer l'entrée qui est la plus adéquate.

Connexion du caisson de graves aux systèmes de Home cinéma numériques à l'aide du LFE

L'électronique des systèmes de Home cinéma numériques à 5.1, 6.1 et 7.1 canaux consacrent un canal (le « .1 ») à la reproduction des informations spéciales de basse fréquence (low-frequency, LFE) (comme les explosions et le tonnerre) contenues dans des bandes sonores à codage numérique.

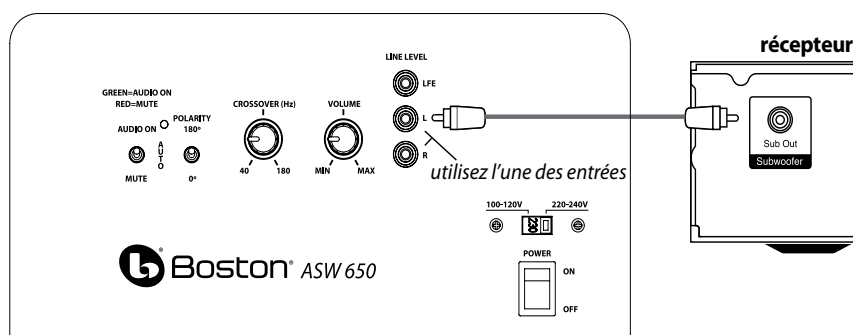
Sélectionnez « subwoofer-yes » (caisson de graves – oui) dans le menu de réglage de votre récepteur. Lorsqu'il est réglé de cette manière, l'amplificateur du récepteur n'a pas besoin de devoir reproduire les signaux graves bas difficiles pouvant conduire à des distorsions audibles du récepteur. Dans certains cas, cela peut aussi dépendre de plusieurs autres réglages à l'intérieur d'un récepteur. Nous vous recommandons de consulter le manuel de votre récepteur pour plus de renseignements à ce sujet.

Utilisez un câble RCA (non fourni), de la manière indiquée, pour raccorder la sortie caisson de graves LFE de votre récepteur numérique au caisson de graves. Connectez l'autre extrémité à l'entrée *Line Level/LFE*.



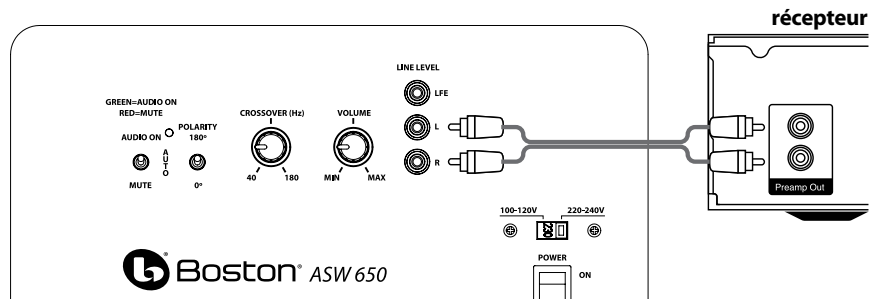
Connexion du caisson de graves à un système stéréo

Pour les systèmes stéréo, utilisez la connexion « sub out » de votre récepteur vers l'entrée sur le caisson de graves marquée « L » (gauche) et « R » (droite).



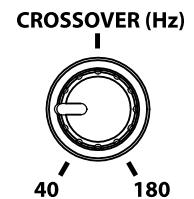
Connexion à l'électronique sans sortie de caisson de graves

Si l'électronique de votre système n'est pas équipée d'une sortie de caisson de graves ou LFE, vous pouvez connecter les unités de caisson de graves CPS Wi à une sortie pre-amp. Utilisez un câble RCA stéréo (non fourni) pour connecter les sorties pré-amp aux entrées de niveau de ligne (Line Level) de gauche (L) et de droite (R).



Réglage de la commande du Répartiteur (Crossover)

Lorsque vous utilisez les entrées de Niveau de ligne (pas l'entrée LFE), le répartiteur incorporé du caisson de graves est engagé. Comme point de départ, réglez la commande du répartiteur sur le caisson de graves à environ 10Hz plus haut que la limite inférieure de la réponse de graves de vos haut-parleurs principaux. Réglez précisément le répartiteur à l'oreille de manière à obtenir le meilleur mélange sonore avec vos haut-parleurs principaux. Le meilleur réglage de la commande du répartiteur dépend du positionnement des haut-parleurs et de vos préférences personnelles.



Fonctionnement

Audio On/Auto/Mute

Branchez le cordon d'alimentation du caisson de graves à une prise murale. N'utilisez pas les prises situées à l'arrière du récepteur. Réglez l'interrupteur d'alimentation sur la position souhaitée.

AUDIO MARCHÉ – Le caisson de graves est toujours en marche.

AUTO – Le caisson de graves se met en marche chaque fois que le système détecte un signal. Si aucun signal n'est détecté après plusieurs minutes, il entre automatiquement en mode de sourdine (Mute).

MUTE – Le caisson de graves est éteint et ne produit aucun son. Si vous n'utilisez pas votre caisson de graves pendant une période prolongée ou si vous souhaitez économiser de l'électricité, vous pouvez éteindre le caisson. (Uniquement vous pouvez éteindre l'interrupteur principal situé près du cordon d'alimentation)

Un voyant lumineux à LED entre l'interrupteur d'alimentation (Power) et l'interrupteur de polarité (Polarity) indique le mode dans lequel se trouve le caisson de graves.

ARRÊT – Le caisson de graves est éteint (Caisson débranché) (ou l'interrupteur d'alimentation principal est en position d'arrêt)

ROUGE – Mute (Attente, aucun signal détecté, Ampli éteint)

VERT – AUDIO ON (Marche, signal détecté, Ampli allume)

Le caisson de graves entre automatiquement en mode de sourdine après plusieurs minutes lorsque votre système ne détecte aucun signal. Le caisson de graves se met ensuite en marche (ON) instantanément lorsqu'un signal est détecté.

Commande du répartiteur

Règle la fréquence du filtre passe-bas pour le caisson de graves. **Remarque :** Cette commande n'est pas active lorsque vous utilisez le connecteur femelle d'entrée LFE.

Contrôle du volume

Tournez la commande de Volume du caisson de graves en position « 11 heures ». Si aucun son ne sort du caisson de graves, vérifiez le cordon d'alimentation électrique, l'interrupteur Audio Marche, l'interrupteur d'alimentation et les câbles d'entrée.

Réglez la commande de Volume du caisson de graves jusqu'à ce que vous entendiez une correspondance entre le haut-parleur principal et le caisson de graves. Les basses ne devraient pas dominer la pièce mais être ajustées de manière à produire un mélange sonore naturel sur toute la gamme musicale.

Contrôle de la polarité

(0° or 180°): Sélectionne la phase normale (0°) ou inversée (180°) pour le caisson de graves. Réglez cet interrupteur afin

d'obtenir les basses les plus dynamiques et les plus puissantes. L'effet de phase sera le plus audible sur les instruments de percussion à basse fréquence ou sur des morceaux de musique avec une partie de basse continuellement répétitive.

Entretien et service

Toutes les connexions de câble devraient être inspectées et nettoyées ou refaites au moins une fois par an.

Si un problème survient, assurez-vous que toutes les connexions sont correctement réalisées, solidement fixées et propres. Si un problème survient dans un haut-parleur, recâblez le haut-parleur à un autre emplacement dans le système. Si le problème persistait dans ce haut-parleur, le problème se trouve dans le haut-parleur. Si le haut-parleur fonctionne bien dans la nouvelle position, ceci indique fortement un problème plus en profondeur des composants électroniques dans le système. Dans le cas où vos haut-parleurs auraient besoin d'une révision, contactez votre distributeur local Boston Acoustics ou consultez Bostonacoustics.com pour une liste des distributeurs dans votre région.

Garantie limitée

Boston Acoustics garantit à l'acheteur d'origine que ses haut-parleurs de la série A ne comportent aucun défaut de pièce et de main d'œuvre pendant une période de 5 ans à partir de la date d'achat.

Vous êtes responsable de l'installation et de l'utilisation conformément aux instructions fournies et lorsque vous sollicitez une révision, d'assurer un transport sûr à un représentant après-vente de Boston Acoustics autorisé et de présenter une preuve d'achat sous forme de reçu.

Les dégâts causés par un abus, mauvaise utilisation, mauvaise installation, accidents, livraison ou réparations/modifications qui n'ont pas été effectuées par un représentant après-vente de Boston Acoustics autorisé, sont exclus de la garantie.

Cette garantie est limitée au produit Boston Acoustics et ne couvre pas les dégâts subis par des équipements associés. Cette garantie ne couvre pas les frais d'enlèvement ou de réinstallation. Cette garantie est annulée si le numéro de série a été retiré ou effacé. Cette garantie vous donne des droits légaux spécifiques et vous pouvez également avoir d'autres droits qui varient d'un état à un autre.

Demande de service après-vente

United States

Tout d'abord, contacter le revendeur auprès duquel vous avez acheté le produit.

Si cela n'est pas possible, veuillez envoyer un emailto: support@bostona.com

ou écrire à:

Boston Acoustics, Inc.
100 Corporate Drive
Mahwah, NJ 07490 USA

Canada

Tout d'abord, contacter le revendeur auprès duquel vous avez acheté le produit.

Si cela n'est pas possible, veuillez envoyer un emailto: support@dmcanada.ca

ou écrire à:

D&M Canada
5-505 Apple Creek Blvd
Markham, ON, L3R 5B1

Tous les autres pays

Contactez le revendeur auprès duquel vous avez acheté le produit ou contactez votre distributeur local.

Pour plus d'informations, s'il vous plaît visitez bostonacoustics.com/support

Pour les clients de l'UE uniquement



Ce symbole sur le produit indique que le produit ne doit pas être jeté avec les déchets domestiques. Il doit plutôt être placé dans une installation de collecte séparée destinée aux déchets électroniques ou remis à un détaillant lorsque vous achetez un produit semblable. Le fabricant a payé pour recycler ce produit, ce qui contribue à réutiliser et recycler et ce qui minimise les effets néfastes sur l'environnement et la santé humaine, tout en évitant des amendes encourues en cas d'élimination incorrecte.

IMPORTANTI ISTRUZIONI DI SICUREZZA



Questo simbolo riportato sull'apparecchio indica pericoli derivanti da voltaggi pericolosi.



Questo simbolo riportato sull'apparecchio indica l'obbligo da parte dell'utente di leggere tutte le istruzioni di sicurezza illustrate nel manuale per l'uso.



Questo simbolo riportato sull'apparecchio indica la presenza di un doppio isolamento.



AVVERTENZA! Per ridurre il rischio di incendio o di scossa elettrica, non esporre l'apparecchio alla pioggia o all'umidità.



Questo simbolo riportato sull'apparecchio indica che l'apparecchio va smaltito in appositi punti di raccolta per rifiuti elettronici e non va gettato con i rifiuti domestici.

1. Leggere le presenti istruzioni.
2. Conservare le presenti istruzioni.
3. Rispettare tutte le avvertenze.
4. Seguire tutte le istruzioni.
5. Non utilizzare l'apparecchio vicino all'acqua.
6. Pulire unicamente con un panno asciutto.
7. Non ostruire le aperture di ventilazione. Installare il prodotto nel rispetto delle istruzioni del produttore.
8. Non installare il prodotto nei pressi di sorgenti di calore quali radiatori, caloriferi, stufe o altri dispositivi (inclusi gli amplificatori) che generano calore.
9. Non aggirare la sicurezza offerta dalla spina polarizzata o con messa a terra. Una spina polarizzata presenta due lame, di cui una è più larga dell'altra. Una spina con messa a terra presenta due lame ed un terzo polo deputato alla messa a terra. La lama ampia o il terzo polo sono forniti per la sicurezza dell'utilizzatore. Se la spina in dotazione non è adatta alla propria presa, rivolgersi ad un elettricista per richiedere la sostituzione della presa obsoleta.
10. Evitare che il cavo di alimentazione venga calpestato o compresso, in particolare in corrispondenza delle spine, dei connettori femmina e dei punti in cui escono dall'apparecchio.
11. Servirsi unicamente di accessori specificati dal produttore.
12. Scollegare l'apparecchio durante i temporali o quando non viene utilizzato per lunghi periodi di tempo.
13. Per qualsiasi lavoro di manutenzione, rivolgersi a personale di assistenza qualificato. L'assistenza tecnica è necessaria nel caso in cui l'apparecchio sia danneggiato, ad esempio per problemi a livello del cavo di alimentazione o della spina, in caso di rovesciamento di liquidi o di caduta di oggetti nell'apparecchio, o qualora questo sia stato esposto alla pioggia o all'umidità, presenti anomalie di funzionamento o sia caduto.
14. Rispettare una distanza minima di 50 mm dalle parti anteriore, posteriore e laterali dell'apparecchio per garantire una ventilazione sufficiente. La ventilazione non deve essere ostruita coprendo le apposite aperture oppure collocando sull'apparecchio o attorno ad esso giornali, tovaglie, tende, ecc.
15. Non collocare sull'apparecchio sorgenti a fiamma libera quali candele accese.
16. L'apparecchio non deve essere esposto a gocce o spruzzi. Non collocare sull'apparecchio oggetti, ad esempio vasi, riempiti con liquidi.
17. Garantire l'accesso al connettore di ingresso posto sul retro dell'apparecchio o alla presa a parete, in modo da consentire lo scollegamento dell'alimentazione dall'apparecchio stesso.
18. Per scollegare completamente questo apparecchio dalla rete di alimentazione CA, staccare la spina del cavo di alimentazione dal connettore femmina CA.
19. La spina di rete del cavo di alimentazione deve essere sempre facilmente accessibile.



Utilizzatori americani:

Nota bene: in base alle prove su di esso eseguite, si è determinata la conformità di questo apparecchio ai limiti relativi ai dispositivi digitali di Classe B, secondo la Parte 15 delle norme FCC. Tali limiti sono stati concepiti per garantire un'adeguata protezione contro le interferenze pericolose in un impianto residenziale. Questo apparecchio genera, utilizza e può irradiare energia a radiofrequenza e, se non installato e utilizzato secondo le istruzioni, può causare interferenze dannose per le comunicazioni radio. Tuttavia, non esiste alcuna garanzia che, in una specifica installazione, non si verifichino interferenze. Se questo apparecchio causasse interferenze dannose per la ricezione dei segnali radio o televisivi, determinabili spegnendolo e riaccendendolo, si consiglia di tentare di rimediare all'interferenza con uno o più dei seguenti metodi:

- Modificare l'orientamento dell'antenna ricevente o spostarla
- Aumentare la distanza tra l'apparecchio ed il ricevitore.
- Collegare l'apparecchio ad una presa inserita in un circuito diverso da quello a cui è collegato il ricevitore.
- Per qualsiasi problema, rivolgersi al rivenditore o ad un tecnico radio/TV qualificato.



Utilizzatori canadesi

Questo apparecchio digitale di Classe B è conforme alle norme canadesi ICES-003.

Cet appareil numérique de classe B est conforme à la norme NMB-003 du Canada.

Specifiche	ASW 650	CPS 10Wi
Gamma di frequenza:	28Hz – 150Hz	35Hz – 150Hz
Potenza amplificatore:	300 watt RMS (picco 650 watt)	100 watt RMS (picco 250 watt)
Driver dei bassi:	10" (254mm) DCD	10" (254mm) DCD
Dimensioni: (H x L x P)	15 ⁵ / ₁₆ x 14 ¹¹ / ₁₆ x 16 ³ / ₁₆ " (388 x 372 x 411mm)	14 ¹ / ₁₆ x 14 ¹¹ / ₁₆ x 16 ³ / ₈ " (356 x 372 x 415mm)

Introduzione

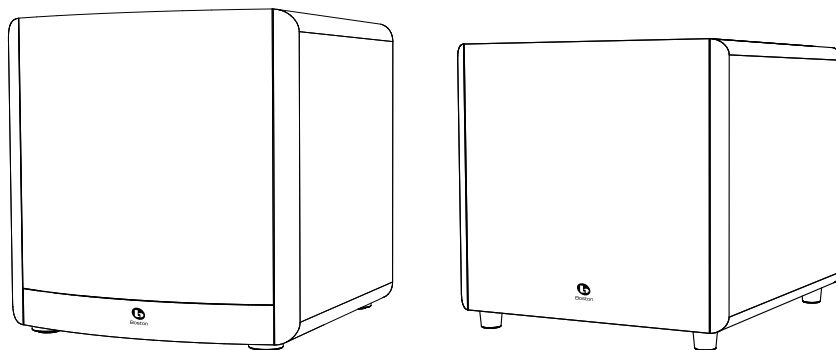
Subwoofer A Series di Boston Acoustics

Grazie per aver scelto Boston Acoustics. I subwoofer A Series incorporano componenti di alta qualità che producono il leggendario suono Boston. I subwoofer sono l'ideale per l'uso in una soluzione canale 5.1 in un impianto home theater o stereo musicale di alta qualità. Sono in grado di riprodurre bassi dalla profondità impressionante e di ottenere elevate prestazioni da un corpo notevolmente compatto. Inoltre, sono caratterizzati dal BassTrac®, un circuito proprietario concepito da Boston che traccia il segnale di ingresso al subwoofer e impedisce che l'amplificatore sia coinvolto da una distorsione udibile. I benefici: i bassi rimangono puliti e forti ad ogni volume di ascolto.

Disimballaggio del sistema

Effettuare con cautela il disimballaggio del subwoofer. Nel caso in cui si rilevino eventuali segni di danneggiamento durante il trasporto, contattare immediatamente il proprio rivenditore e/o servizio di consegna. Conservare il pacchetto di spedizione e i materiali di imballaggio per impieghi futuri. Conservare la ricevuta d'acquisto in un luogo sicuro in quanto può essere richiesta ai fini della garanzia.

ASW 650 E ASW 250 subwoofer

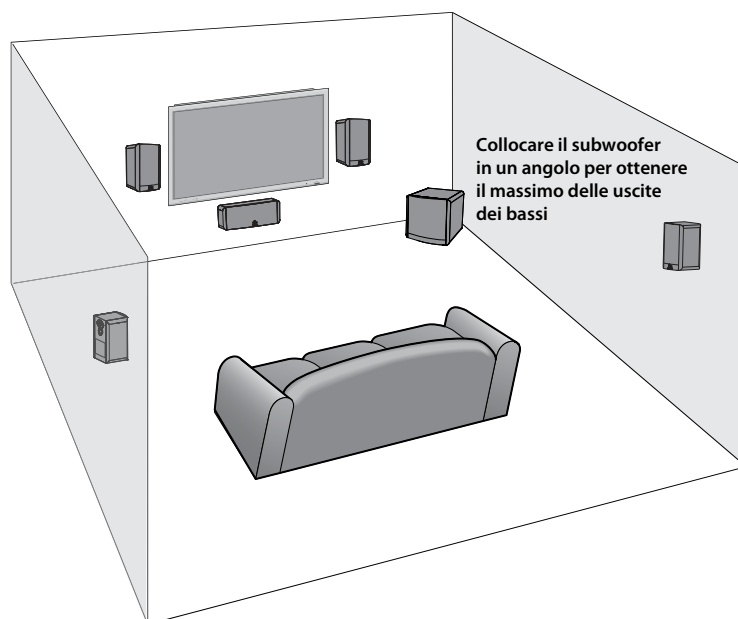


Opzioni di collocazione

Collocare il subwoofer vicino a un muro o in un angolo in prossimità degli altoparlanti principali. Solitamente, il suono è migliore quando il subwoofer si trova entro 4,5 m dagli altoparlanti. L'acuto rolloff del crossover a 24dB/ottava consente un collocamento ad una distanza maggiore dagli altoparlanti, se necessario. Poiché l'orecchio non è in grado di localizzare le basse frequenze del subwoofer, i bassi sembrano comunque giungere dagli altoparlanti principali. Sperimentare varie collocazioni è fondamentale, tuttavia la maggior parte delle posizioni nella stanza funzioneranno bene.

Il livello dell'uscita dei bassi dal subwoofer varierà in base alle diverse collocazioni all'interno della stanza. Quando viene collocato vicino alle pareti, la sua intensità sonora viene enfatizzata. Una posizione d'angolo offre il massimo delle uscite dei bassi. Collocarlo completamente staccato dal muro può produrre bassi troppo scarsi. Indipendentemente dal livello naturale dei bassi nella stanza, sarà sempre possibile regolare il livello del subwoofer tramite il comando volume incorporato. Se in qualsiasi momento si dovesse spostare il subwoofer, verificare nuovamente tutte le configurazioni.

IMPORTANTE: non collocare il subwoofer in un punto dove vi sia la possibilità di contatto tra il pannello posteriore e le tende o i mobili.



Connessioni

Dopo aver debitamente collocato gli altoparlanti, è possibile cablare l'impianto.

NOTA BENE: i dispositivi elettronici del subwoofer sono sempre alimentati, a meno che questo non sia scollegato dalla presa di rete o impostato su *Mute* tramite l'interruttore *Audio On* situato a livello del pannello posteriore. La circuiteria di attivazione automatica attiva o disattiva unicamente l'amplificatore di alimentazione. Assicurarsi che il subwoofer e il ricevitore siano scollegati dall'alimentazione al momento di predisporre il collegamento (i modelli 230v comprendono un interruttore dell'alimentazione principale che spegne completamente l'alimentazione del subwoofer).

Alimentazione: al momento di collegare il subwoofer, assicurarsi di servirsi di una presa elettrica a parete o una presa elettrica specifica. Alcuni ricevitori forniscono una presa con interruttore. Evitarne l'uso. Questi tipi di presa elettrica non offrono la quantità di corrente o l'isolamento adatto richiesto da un amplificatore di corrente quale quello presente nel vostro subwoofer.

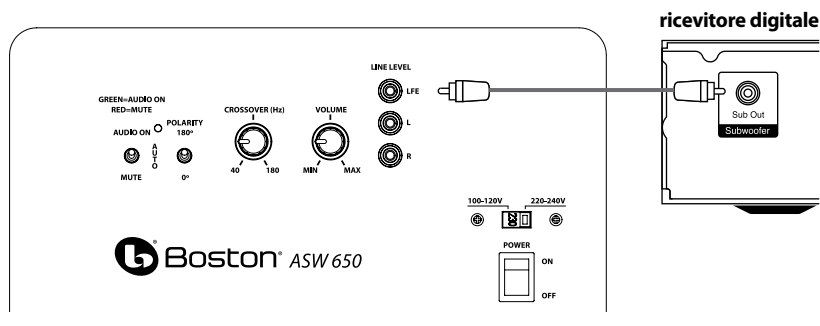
Ingressi a livello di linea o LFE: sulla maggior parte degli impianti, servirsi dell'ingresso a *livello di linea* o dell'ingresso *LFE*. Questi ingressi accettano il segnale a livello di linea proveniente dall'uscita subwoofer del ricevitore. Il manuale per l'uso del proprio ricevitore dovrebbe indicare quale ingresso è più adeguato.

Collegamento del Subwoofer a impianti Home Theater digitali servendosi dell'LFE

L'elettronica home theater digitale 5.1, 6.1 e 7.1 dedica un canale (il ".1") alla riproduzione degli effetti di bassa frequenza speciale (LFE) (quali esplosioni e tuoni) contenute in tracce dalla codifica digitale.

Selezionare "subwoofer-yes" dal menu di configurazione del ricevitore. Collegato in questa maniera, l'amplificatore del ricevitore è sollevato dal compito di riprodurre i difficili segnali bassi che potrebbero provocare una distorsione udibile a livello del ricevitore stesso. In taluni casi ciò può anche dipendere da numerose altre configurazioni a livello del ricevitore. Per maggiori informazioni in merito, si raccomanda di consultare il manuale del ricevitore.

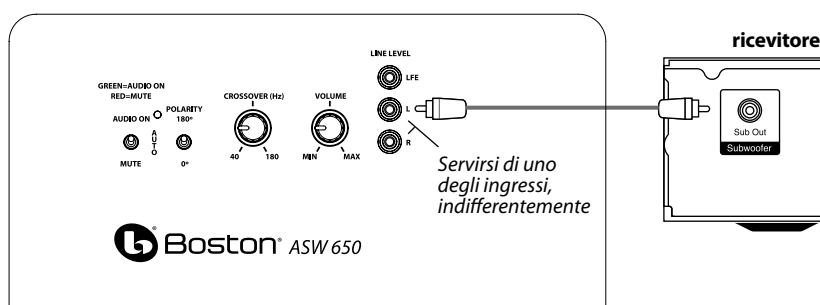
Servirsi di un cavo RCA (non in dotazione) come illustrato per collegare l'uscita LFE/subwoofer del ricevitore digitale al subwoofer.



Collegare l'altro capo all'ingresso a livello di linea/LFE.

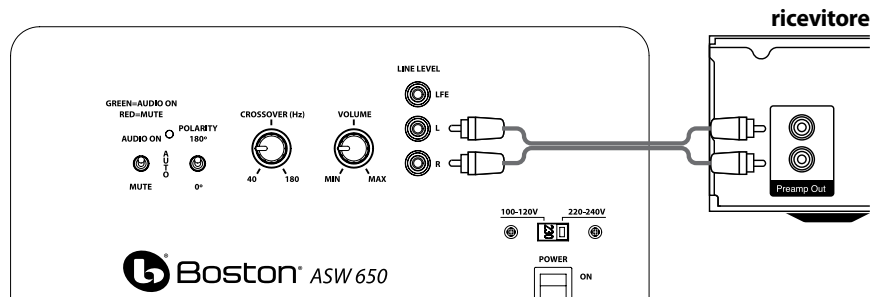
Connessione del Subwoofer ad un sistema Stereo

Per gli impianti stereo, servirsi del collegamento "sub out" dal ricevitore all'ingresso sul subwoofer contrassegnato "L" o "R" ("Sinistra" e "Destra").



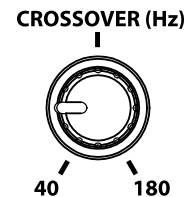
Connessione ad elettronica priva di un'uscita subwoofer

Se il ricevitore in vostro possesso non è dotato di un'uscita subwoofer o LFE, è possibile collegare il CPS Wi subwoofer ad un'uscita preamp. Servirsi di un cavo stereo RCA (non in dotazione) per collegare le uscite preamp agli ingressi a livello di linea "L" ed "R".



Regolazione del comando Crossover

Al momento di utilizzare gli ingressi a *livello di linea* (non l'ingresso LFE) il crossover incorporato del subwoofer viene attivato. Per cominciare, impostare il comando crossover del subwoofer di circa 10Hz più alto del limite minimo della risposta dei bassi degli altoparlanti principali. Affinare la regolazione del crossover a orecchio per ottenere la migliore miscela con gli altoparlanti principali. La migliore configurazione del comando crossover dipende dalla collocazione degli altoparlanti e dal gusto personale.



Funzionamento

Audio On/Auto/Mute

Collegare il cavo CA del subwoofer in una presa a muro. Non servirsi delle uscite sul retro del ricevitore. Impostare l'interruttore audio come desiderato.

AUDIO ON – L'audio del subwoofer è sempre acceso.

AUTO – L'audio del subwoofer si accende ogniqualvolta individua un segnale. Se non vengono individuati segnali, dopo alcuni minuti passerà automaticamente in modalità Mute.

MUTE – Il subwoofer è silenziato e non produrrà alcun suono. Scollegare il subwoofer se non si intende utilizzarlo per un certo tempo o se si desidera risparmiare elettricità. (Possibile spegnere l'interruttore principale di alimentazione, situato vicino al cavo di alimentazione.)

Un indicatore a LED situato vicino all'interruttore di Polarità indica in quale modalità si trova il subwoofer:

OFF – Il subwoofer è scollegato (o l'interruttore di alimentazione principale è spento)

ROSSO – Mute (Nessun segnale individuato, Amp Off)

VERDE – Audio On (Segnale individuato, Amp On)

Il subwoofer entrerà automaticamente in modalità Mute se dopo diversi minuti non vengono individuati segnali dal sistema. L'audio del subwoofer quindi si accenderà istantaneamente non appena individua un segnale.

Comando delle polarità

(0° o 180°): seleziona la fase regolare (0°) o inversa (180°) per il subwoofer. Configurare questo interruttore in modo da fornire i bassi più pieni e dinamici. L'effetto di fase sarà soprattutto udibile a livello di strumenti a percussione a bassa frequenza o in caso di musica con una linea di basso che si ripete continuamente.

Comando crossover

Regola la frequenza del filtro passa basso del subwoofer. **Nota bene:** questo comando non è attivo quando si utilizza il jack d'ingresso LFE.

Comando volume

Girare il comando Volume del subwoofer sulle ore 11. Qualora non provenissero suoni dal subwoofer, verificare il cavo di rete CA, l'interruttore Audio On, l'interruttore di alimentazione Power e i cavi di ingresso.

Regolare il comando Volume del subwoofer fino a quando l'altoparlante principale e il subwoofer non corrispondono. La risposta dei bassi non deve essere sovralimentata, bensì regolata in modo che ci sia una miscela naturale lungo l'intera gamma musicale.

Manutenzione e servizi

Controllare, pulire o ridefinire tutte le connessioni cablate almeno una volta l'anno.

Nel caso di problemi, assicurarsi che tutte le connessioni siano effettuate in modo corretto, sicuro e pulito. Nel caso di problemi rilevati in uno degli altoparlanti, ricollegare tale altoparlante in una posizione diversa all'interno del sistema. Nel caso in cui il problema persista, questo indicherà che il problema risiede nell'altoparlante stesso. Se l'altoparlante non presenta alcun difetto nella nuova posizione, questo indica che il problema risiede probabilmente nell'elettronica del sistema. Nel caso in cui gli altoparlanti necessitino di manutenzione, contattare il proprio rivenditore locale Boston Acoustics o visitare la pagina bostonacoustics.com/dealers per un elenco dei rivenditori nella propria zona..

Garanzia limitata

Boston Acoustics garantisce all'acquirente originale di un subwoofer A Series che questo non presenta alcun difetto nei materiali e nella fattura per un periodo di 5 anni dalla data dell'acquisto. Il periodo di garanzia per i componenti elettrici è di 1 anno.

In fase di richiesta di assistenza, è di responsabilità dell'acquirente l'installazione e l'impiego del dispositivo in conformità con le istruzioni fornite, al fine di fornire un trasporto sicuro e protetto presso un rappresentante di assistenza autorizzato Boston Acoustics, nonché di presentare eventuali prove d'acquisto sotto forma di documento di vendita.

La presente garanzia non include danni derivanti da abuso, cattivo uso, installazione non corretta, incidenti, spedizione o riparazioni/modifiche effettuate da personale non autorizzato da Boston Acoustics.

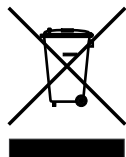
Questa garanzia è limitata al prodotto Boston Acoustics e non copre i danni di alcun dispositivo associato. Questa garanzia non copre i costi di rimozione o reinstallazione. Questa garanzia non è valida in mancanza del numero di serie del dispositivo. Questa garanzia fornisce all'utente diritti legali specifici e gli consente di fruire di altri diritti che variano da uno Stato all'altro.

In caso di necessità di assistenza

Contattare il rivenditore presso il quale è stato acquistato il prodotto.

Per ulteriori informazioni, visitare il sito <http://www.bostona.eu/>

Clients UE



Questo simbolo riportato sul prodotto indica che il prodotto non può essere smaltito con i rifiuti domestici. Al contrario, esso deve essere smaltito tramite un sistema di smaltimento apposito per i rifiuti elettronici o restituito al rivenditore all'acquisto di un prodotto simile. Il produttore ha pagato per il riciclaggio di questo prodotto. In tal modo, è possibile contribuire al reimpiego e riciclaggio dei materiali, si riducono al minimo gli effetti indesiderati sull'ambiente e la salute umana e si evitano multe per uno smaltimento errato.

VIKTIG SÄKERHETSINFORMATION

Symbolen som återfinns på apparaten indikerar att fara kan uppstå på grund av farlig spänning.



Symbolen som återfinns på apparaten indikerar att användaren bör läsa alla säkerhetsmeddelanden som finns i bruksanvisningen.



Denna symbol på utrustningen visar dubbelisolering.

1. Läs dessa instruktioner.
2. Behåll dessa instruktioner.
3. Respektera alla varningar.
4. Följ alla instruktioner.
5. Använd inte apparaten i närheten av vatten.
6. Rengör endast med en torr torkduk.
7. Blockera inte några ventilationsöppningar. Installera i enlighet med tillverkarens instruktioner.
8. Installera inte i närheten av värmekällor som element, värmespjäll, spisar eller andra apparater (inklusive förstärkare) som alstrar värme.
9. Försumma inte säkerhetsfunktionen hos polariserade eller jordade stickkontakter. En polariserad stickkontakt har två blad, det ena bredare än det andra. En stickkontakt av jordad typ har två blad och en tredje jordpinne. Det breda bladet och den tredje pinnen tillhandahålls för din säkerhet. Om den medföljande stickkontakten inte passar i ditt uttag, rådfråga en elektriker för byte av uttaget.
10. Skydda strömkabeln så att man inte snavar över den eller att den skadas, i synnerhet vid kontakter, fasta anslutningsdon och där kabeln lämnar apparaten.
11. Använd endast anslutningar/extrautrustning som specificeras av tillverkaren.
12. Koppla ur apparaten under åskväder eller när den inte ska används under en längre tidsperiod.
13. Överlåt allt underhåll till kvalificerad servicepersonal. Underhåll krävs när apparaten har skadats på något sätt, till exempel om strömkabeln eller kontakten har skadats, vätska har spillts ut eller föremål har fallit ned på apparaten, om apparaten har utsatts för regn eller fukt, inte fungerar normalt eller har tappats.
14. Håll ett minsta avstånd på 50 mm runt apparatens framsida, baksida och sidor, för att möjliggöra tillräcklig ventilation. Ventilationen ska inte förhindras genom att täcka över ventilationsöppningar eller placering av föremål som tidningar, dukar eller gardiner runt eller på apparaten.
15. Inga oskyddade flammkällor som exempelvis brinnande ljus, bör placeras på apparaten.
16. Apparaten bör inte utsättas för dropp eller stänk. Inga föremål fyllda med vätskor, som exempelvis blomvaser, bör placeras på apparaten.



VARNING! För att minska risken för eldsvåda eller elektriska stötar, ska denna apparat inte utsättas för regn eller fukt.



Denna symbol som återfinns på apparaten indikerar att apparaten måste deponeras i en separat återvinningsstation för elektroniskt avfall och inte i hushållsavfallet.

17. Antingen strömanslutningen på baksidan av apparaten eller strömkontakten på väggen måste förbli åtkomliga, för att man ska kunna koppla bort strömmen från apparaten.
18. För att fullständigt koppla bort apparaten från huvudströmmen, ska strömkontakten tas ur vägguttaget.
19. Elnätskontakten på elsladden bör förbli lättåtkomlig.

**Användare i USA:**

OBS: Utrustningen har testats och överrensstämmer med begränsningarna för digitala apparater tillhörande Klass B, i enlighet med del 15 av FCC-reglerna. Dessa begränsningar är utvecklade för att tillhandahålla rimligt skydd mot skadlig inverkan i hushållet. Denna utrustning genererar, använder och kan avge radiofrekvensenergi och kan, om den inte installeras och används i enlighet med instruktionerna, orsaka skadliga störningar på radiokommunikation. Det finns dock inga garantier för att störningar inte kommer att förekomma för en specifik installation. Om utrustningen orsakar negativa störningar för radio- eller TV-mottagning, vilket kan bekräftas genom att stänga av och sätta på utrustningen, uppmanas användaren att försöka korrigera störningen med hjälp av en eller flera av följande åtgärder:

- Rikta om eller placera om mottagarantennen.
- Öka avståndet mellan utrustningen och receiveern.
- Anslut utrustningen till ett annat uttag eller krets än där receiveern är ansluten.
- Rådfråga återförsäljaren eller en erfaren radio/TV-tekniker angående hjälp.

**Kanadensiska användare**

Denna digitala apparat tillhörande klass B uppfyller kraven för ICES-003.

Cet appareil numérique de classe B est conforme à la norme NMB-003 du Canada.

Specifikationer

	ASW 650	ASW 250
Frekvensområde:	28Hz – 150Hz	35Hz – 150Hz
Förstärkareffekt:	300 watt RMS (650 watt topp)	100 watt RMS (250 watt topp)
Basdrivrutin:	10" (254mm) DCD	10" (254mm) DCD
Mått: (H x B x D)	15 ⁵ / ₁₆ x 14 ¹¹ / ₁₆ x 16 ³ / ₁₆ " (388 x 372 x 411mm)	14 ¹ / ₁₆ x 14 ¹¹ / ₁₆ x 16 ³ / ₈ " (356 x 372 x 415mm)

Inledning

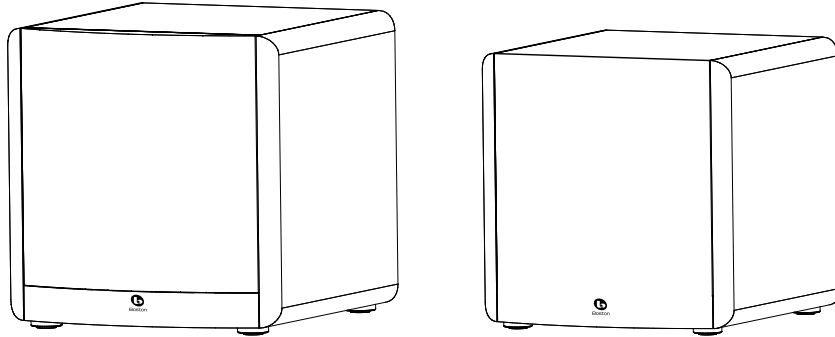
Subwoofrar i Boston Acoustics A-serie

Tack för att du valde Boston Acoustics. A-seriens subwoofrar, har komponenter av hög kvalitet som ger det legendariska Boston-ljudet. Subwoofrarna är perfekt lämpade att använda i en 5,1-kanals hemmabio eller ett stereomusiksystem av hög kvalitet. De kan klara imponerande djup bas och hög uteffekt från förvånansvärt kompakta höljen. Dessutom har de funktionen BassTrac®, en patentskyddad Boston-designad krets, som spårar ingångssignalen till subwoofern och hindrar dess högtalare från att drivas till hörbar distorsion. Fördelen är: Basen förblir ren och stark på alla lyssningsnivåer.

Packa upp systemet

Packa försiktigt upp subwoofrarna. Om det finns några tecken på fraktskador, rapportera detta omedelbart till din återförsäljare och/eller leverantör. Behåll kartongen och förpackningsmaterialet för framtida användning. Se till att du sparar inköpskvittot på ett säkert ställe, det kan behövas för orsaker relaterade till garantin.

ASW 650 och ASW 250 subwoofers



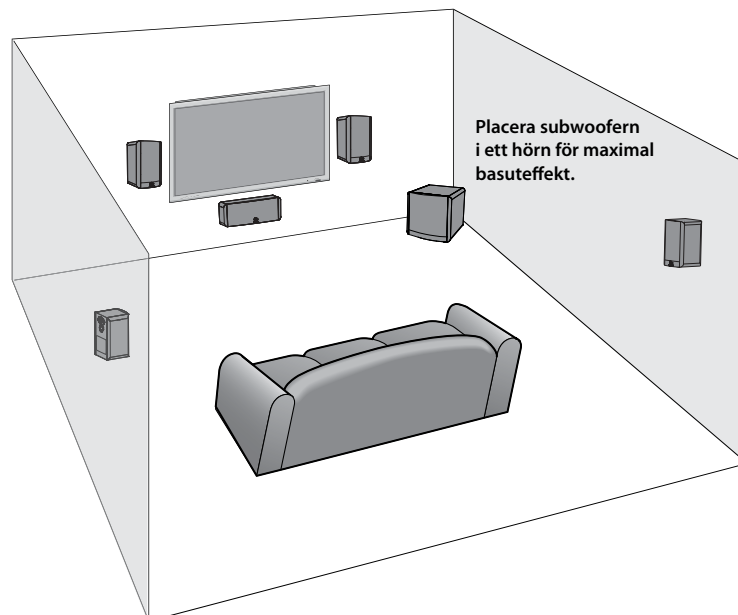
Placeringsalternativ

Placera subwoofern intill en vägg eller i ett hörn i närheten av huvudhögtalarna. Ljudet är normalt bäst när subwoofern befinner sig 4,5 m (15 fot) från huvudhögtalarna. Den skarpa 24dB/oktavers övergången gör att de kan placeras längre bort från huvudhögtalarna om det behövs. Eftersom örat inte kan lokalisera subwoofers låga frekvenser, verkar basen fortfarande komma från huvudhögtalarna. Experimentering är nyckeln men de flesta placeringar i rummet fungerar bra.

Uteffekten av basen från subwoofern varierar på olika platser i rummet. När den placeras intill väggar intensifieras ljudstyrkan. Placering i hörn ger den bästa basutvecklingen.

Placering långt från väggar kan producera för lite bas. Oavsett den naturliga basnivån inom rummet, kan du alltid justera subwoofers nivå från den inbyggda volymkontrollen. Om du flyttar subwoofern ska du se till att kontrollera alla inställningar.

VIKTIGT: Placera inte subwoofern där det finns risk att bakpanelen kommer i kontakt med draperier/gardiner eller möbler.



Anslutningar

När högtalarna är på plats kan du ansluta systemet.

OBS: Strömmen går alltid till subwoofern såvida den inte är frånkopplad eller ändras till läget *Mute* med *Audio On* strömbrytarens *Audio On*, som finns på den bakre panelen. Auto-on-kretsen aktiverar eller avaktiverar endast strömförstärkaren. Se till att subwoofern och receivern är frånkopplade när du gör anslutningen (230v-modeller har en huvudströmbrytare som slår ifrån all ström till subwoofern).

Strömförsörjning: Använd ett vägguttag eller särskilt eluttag när du kopplar in subwoofern. En del receivers har ett uttag. Använd inte det. Dessa eluttag har inte den ström eller rätt isolering som krävs av en strömförstärkare, som den på din subwoofer.

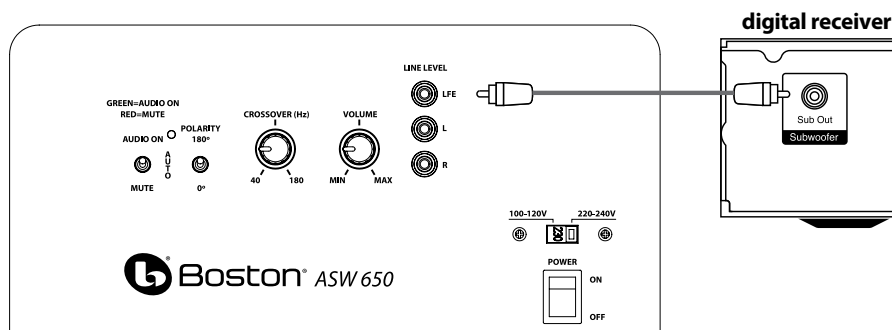
Line level eller LFE: På de flesta system används ingången line level in eller LFE. Dessa insignaler godkänner line-level-signalen från receivers subwooferutgång. Receivers handbok bör ange vilken insignal som är mest lämplig.

Ansluta subwoofern till digitala hemmabiosystem med LFE

Digitala 5.1, 6.1 och 7.1-hemmabiosystem har en kanal ("1") för att återskapa den särskilda lågfrekvensseffekt (LFE)-informationen (t.ex. explosioner och åska) som finns i digitalt kodade ljudspår.

Välj "subwoofer-yes" i receivers inställningsmeny. När förstärkaren är ansluten på det här sättet behöver den inte återskapa de svåra låga bassignalerna som kan göra så att receivern får hörbar distorsion. I vissa fall kan det också bero på flera andra receiverinställningar. Vi rekommenderar att du tittar i receivers handbok för att få mer hjälp med detta.

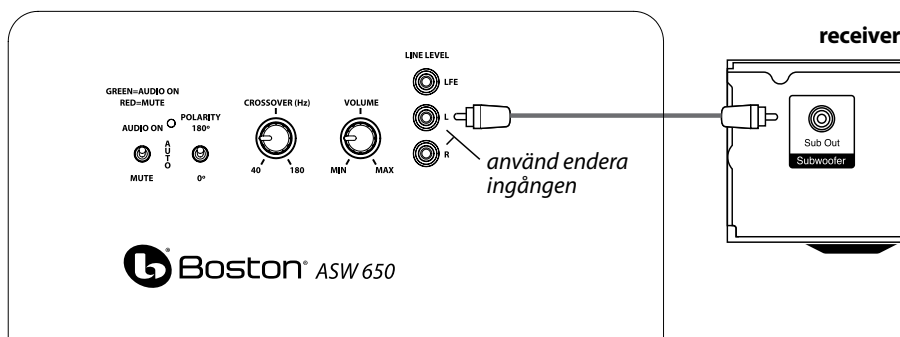
Använd en subwooferkabel (medföljer inte), som på bilden, för att ansluta den digitala receivers LFE-subwooferutgång till subwoofern.



Anslut den andra änden till Line Level/LFE-ingången.

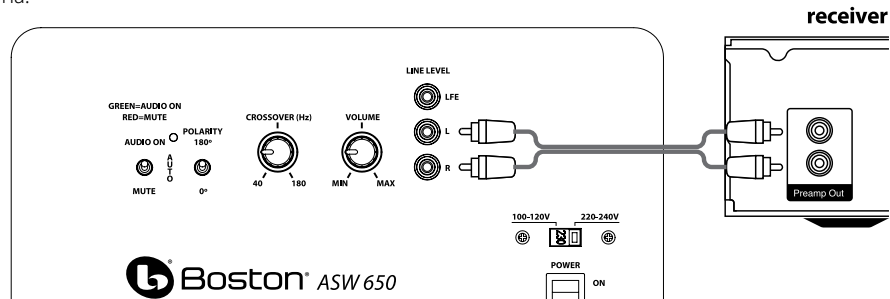
Ansluta subwoofern till stereo

För stereo-system, använd anslutningen "sub out" från receivern till ingången på subwoofern som är markerad med "L" eller "R".



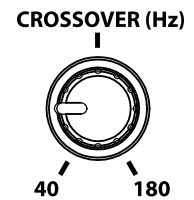
Ansluta till elektroniken utan subwooferutgång

Om elektroniken i ditt system inte har en subwoofer- eller LFE-utgång kan du ansluta CPS Wi-subwoofer till en förstärkarutgång. Använd en stereo-RCA-kabel (ingår ej) för att koppla förstärkarutgångarna till ingångarna "L" och "R" Line Level-ingångarna.



Justera övergångskontrollen

När du använder Line Level-ingångarna (inte LFE-ingången) aktiveras subwoofers inbyggda övergång. Som startpunkt kan du ställa in övergångskontrollen på subwoofern ca 10Hz högre än den lägsta gränsen på huvudhögtalarnas basrespons. Finjustera övergångsinställningen för att få den mjukaste blandningen med huvudhögtalarna. Den bästa inställningen av övergångskontrollen beror på högtalarens placering och vad du själv föredrar.



Drift

Ljud på/auto/dämpa

Anslut subwoofers nätkabel till vägguttaget. Använd inte uttagen på baksidan av receivern. Ställ in ljudbrytaren på önskad inställning.

AUDIO ON – Subwoofern är alltid på.

AUTO – Subwoofern slås på när den upptäcker en signal. Om ingen signal upptäcks på några minuter går den automatiskt in i dämpat läge.

MUTE – Subwoofern är dämpad och ger inget ljud. Du kanske vill koppla ifrån subwoofern om du inte använder den på ett tag eller om du vill spara ström. (Enbart kan du slå ifrån huvudströmbrytaren, som sitter bredvid elsladden).

En LED-lampa intill polaritetsbrytaren visar vilket läge subwoofern är i:

OFF – Subwoofern är frånkopplad (eller huvudströmbrytaren är frånslagen)

RÖD – Mute (ingen signal upptäckt, förstärkare av)

GRÖN – Ljud på (signal upptäckt, förstärkare på)

Subwoofern går automatiskt in i mute-läge efter några minuter när ingen signal upptäcks från systemet. Subwoofers ljud slås sedan PÅ så fort en signal upptäcks.

Polaritetskontroll

(0° eller 180°): Väljer vanlig (0°) eller inverterad (180°) fas för subwoofern. Ställ in den här brytaren för att ge full, dynamisk bas. Fasens effekt blir mest hörbar med lågfrekventa truminstrument eller musik med en kontinuerlig basgång.

Övergångskontroll

Justerar frekvensen på subwoofers lågpassfilter. **OBS!** Denna kontroll är inte aktiv när LFE-ingångsuttaget används.

Volymknappar

Vrid subwoofers volym-kontroll till klockan 11-position. Om det inte kommer något ljud från subwoofern, kontrollera nätsladden, ljud på-brytaren, ström-brytaren och ingångskablarna.

Justera subwoofers volym-kontroll tills du hör en matchning mellan huvudhögtalaren och subwoofern. Basresponsen bör inte överta rummet, utan justeras så att den blandas naturligt i hela musikomfånget.

Underhåll och service

Alla ledningsanslutningar ska synas och rengöras eller förnyas minst en gång om året.

Om ett problem inträffar, kontrollera att alla anslutningar är rätt utförda, säkra och rena. Om ett problem inträffar i en högtalare, dra om denna högtalare till en annan plats i systemet. Om problem kvarstår, ligger felet hos högtalaren. Om högtalaren låter bra på den nya platsen, är detta en stark indikation på ett mer djupgående fel med elektroniken i systemet. I händelse av att dina högtalare skulle behöva service, kontakta din lokala Boston Acoustics-återförsäljare eller besök bostonacoustics.com/dealers för en lista över återförsäljare i ditt område.

Begränsad garanti

Boston Acoustics garanterar förste köparen av en subwoofer ur A-serien, att den är fri från defekter vad beträffar material och utförande under en period av 5 år från inköpsdatumet. Garantiperioden för de elektriska komponenterna är 1 år.

Ditt ansvar är att installera och använda dem enligt den medföljande bruksanvisningen, att ombesörja en säker och varlig transport till en auktoriserad Boston Acoustics-servicerepresentant, och att framlägga bevis på inköpet i form av ditt inköpskvitto när du begär service.

Undantag från denna garanti är skador som orsakas av oaktsamhet, felaktigt användande, felaktig installation, olyckor, frakt eller reparationer/modifieringar som har utförts av någon annan än en auktoriserad Boston Acoustics-servicerepresentant.

Denna garanti är begränsad till Boston Acoustics-produkten och täcker inte skador på någon extrautrustning. Denna garanti täcker inte kostnaderna för avlägsnande eller ominstallation. Garantin är ogiltig om serienumret har avlägsnats eller har gjorts oläsligt. Denna garanti ger dig specifika lagliga rättigheter och du kan även inneha andra rättigheter som kan variera från stat till stat.

Om service verkar behövas

Om service tycks vara nödvändig

Kontakta den återförsäljare som du köpte produkten av.

För mer information, besök <http://www.bostona.eu/>



Endast för kunder inom EU

Den här symbolen på produkter betyder att produkten inte får kastas tillsammans med hushållsavfall. Istället bör den forslas till en separat återvinningsstation för elektroniskt avfall eller returneras till en återförsäljare när man köper en liknande produkt. Tillverkaren har betalat återvinningen för denna produkt. Det bidrar till återanvändning och återvinning, minimerar negativa effekter på miljön och hälsan samt undviker böter för felaktig avyttring.

WICHTIGE SICHERHEITSANWEISUNGEN



Dieses am Gerät angebrachte Symbol weist auf die Gefahren durch Stromspannung hin.



Dieses am Gerät angebrachte Symbol weist den Benutzer darauf hin, alle Sicherheitsanweisungen in diesem Handbuch genau durchzulesen.



Dieses am Gerät angebrachte Symbol weist auf Doppelisolierung hin.



WARNUNG! Um die Gefahr von Brand oder Elektroschock zu reduzieren, halten Sie dieses Gerät von Regen und Feuchtigkeit fern.



Dieses am Gerät angebrachte Symbol weist darauf hin, dass das Gerät bei einer Sammelstelle für Elektronikschrott abgegeben muss und nicht mit dem Hausmüll entsorgt werden darf.

1. Lesen Sie diese Anweisungen durch.
2. Bewahren Sie diese Anweisungen auf.
3. Beachten Sie alle Warnungen.
4. Folgen Sie allen Anweisungen.
5. Verwenden Sie dieses Gerät nicht in der Nähe von Wasser.
6. Reinigen Sie es mit einem trockenen Tuch.
7. Blockieren Sie keine Ventilationsöffnungen. Nehmen Sie die Installation gemäß den Herstelleranweisungen vor.
8. Stellen Sie das Gerät nicht in die Nähe von Wärmequellen wie Heizkörper, Abluftgitter, Öfen oder andere Apparate (auch Verstärker), die Hitze produzieren.
9. Beachten Sie die Sicherheitsrelevanz des Schukosteckers oder des gepolten Steckers. Ein gepolter Stecker verfügt über zwei flache Kontakte, einer breiter als der andere. Ein Schukostecker hat zwei flache Kontakte und einen dritten Kontaktstift. Der breitere Kontakt oder der dritte Kontaktstift dienen Ihrer Sicherheit. Wenn der mitgelieferte Stecker nicht in Ihre Steckdose passt, kontaktieren Sie einen Elektriker, um die veraltete Steckdose auszutauschen.
10. Achten Sie darauf, dass niemand auf das Netzkabel tritt und dass es nicht abgeklemmt wird. Besonders zu beachtende Stellen sind hierbei jene am Stecker, an Steckerleisten und am Anschluss zum Gerät.
11. Verwenden Sie nur vom Hersteller spezifizierte Ersatzteile und Zubehör.
12. Sie sollten bei Gewittern oder während längerer Zeiträume, in denen das Gerät unbenutzt bleibt, den Netzstecker herausziehen.
13. Lassen Sie alle Reparatur- oder Wartungsarbeiten von qualifiziertem Servicepersonal durchführen. Wartungsarbeiten sind nötig, wenn das Gerät in einer der folgenden Weisen beschädigt wurde: Beschädigung des Netzkabels oder Netzsteckers, Flüssigkeit oder ein Fremdkörper ist in das Geräteinnere eingedrungen, das Gerät war Regen oder Nässe ausgesetzt, das Gerät arbeitet trotz Einhaltung der Bedienungsanweisung nicht ordnungsgemäß oder das Gerät ist heruntergefallen.
14. Halten Sie einen Mindestabstand von 2" (50 mm) um Vorder-, Rück- und Seitenteile des Geräts herum frei, um eine ausreichende Belüftung zu gewährleisten. Die Belüftung darf nicht durch ein Abdecken der Belüftungsöffnungen oder ein Platzieren von Zeitungen, Tischtüchern, Vorhängen usw. auf oder um das Gerät herum behindert werden.
15. Es sollten keine offenen Lichtquellen wie brennende Kerzen auf dem Gerät abgestellt werden.

16. Das Gerät sollte vor herabfallenden Tropfen oder Spritzern geschützt werden. Es sollten keine mit Flüssigkeit gefüllten Objekte wie z.B. Vasen auf dem Gerät abgestellt werden.
17. Es muss entweder die Stromversorgung an der Rückseite des Gerätes oder der Netzstecker zugänglich sein, damit das Gerät jederzeit von der Stromversorgung genommen werden kann.
18. Um dieses Gerät vollständig vom Netzstrom zu trennen, ziehen Sie den Netzstecker aus der Steckdose.
19. Der Netzstecker des Netzanschlusskabels muss leicht betriebsbereit bleiben.



Amerikanische Verbraucher:

Hinweis: Dieses Gerät wurde Prüfungen unterzogen und dabei wurde die Übereinstimmung mit den Grenzwerten für Digitalgeräte der Klasse B gemäß Teil 15 der FCC-Richtlinien festgestellt. Diese Grenzwerte sollen einen angemessenen Schutz gegen schädliche Störungen bieten, wenn das Gerät zuhause eingesetzt wird. Dieses Gerät erzeugt und verwendet Hochfrequenzenergie und kann diese auch abstrahlen, wenn es nicht gemäß den Anweisungen aufgestellt und verwendet wird und kann dadurch schädliche Störungen im Funkverkehr hervorrufen. Es kann jedoch nicht garantiert werden, dass bei einer bestimmten Installation keine Interferenzen auftreten. Falls dieses Gerät Störungen beim Radio- oder Fernsehempfang verursacht, was durch ein Ein- und Ausschalten des Gerätes überprüft werden kann, ist der Benutzer angehalten, zu versuchen, die Störung durch eine oder mehrere der folgenden Maßnahmen zu beseitigen:

- Neueinstellung oder Standortwechsel der Empfangsantenne.
- Vergrößerung des Abstands zwischen Gerät und Receiver.
- Schließen Sie das Gerät an eine andere Steckdose an als die, in der der Receiver eingesteckt ist.
- Wenden Sie sich an den Händler oder einen erfahrenen Radio-/Fernsehtechniker.



Kanadische Verbraucher

This class B digital apparatus complies with Canadian ICES-003 (Dieses Digitalgerät der Klasse B entspricht der kanadischen ICES-003-Norm).

Cet appareil numérique de classe B est conforme à la norme NMB-003 du Canada.

Spezifikationen

	ASW 650	ASW 250
Frequenzbereich:	28Hz – 150Hz	35Hz – 150Hz
Verstärkerleistung:	300 Watt RMS-Leistung (650 Watt Höchstwert)	100 Watt RMS-Leistung (250 Watt Höchstwert)
Basstreiber:	10" (254 mm) DCD	10" (254 mm) DCD
Abmessungen: (H x B x T)	15 ⁵ / ₁₆ x 14 ¹¹ / ₁₆ x 16 ³ / ₁₆ " (388 x 372 x 411mm)	14 ¹ / ₁₆ x 14 ¹¹ / ₁₆ x 16 ³ / ₈ " (356 x 372 x 415mm)

Einführung

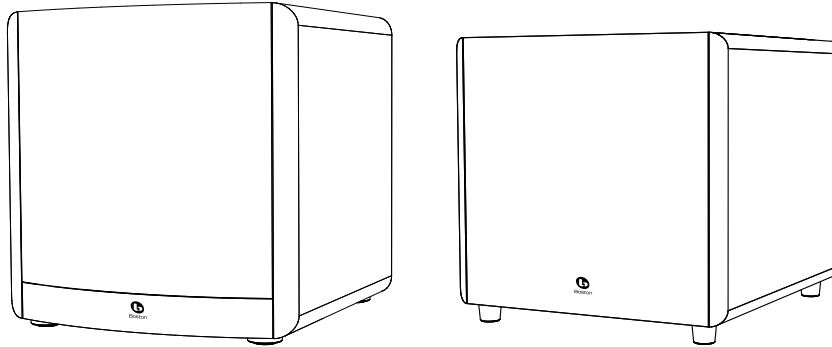
Subwoofer der A-Serie von Boston Acoustics

Vielen Dank, dass Sie Boston Acoustics gewählt haben. Die Subwoofer der A-Serie umfassen qualitativ hochwertige Komponenten, die den legendären Boston-Sound liefern. Die Subwoofer eignen sich perfekt für den Einsatz in einem 5.1-Kanal Qualitätsheimkino oder -musiksystem. Sie verfügen über ein erstaunlich kompaktes Gehäuse und produzieren beeindruckend tiefe Bässe und einen hohen Output. Darüber hinaus verfügen sie über BassTrac®, eine von Boston selbst entwickelte Schaltung, die dem Eingangssignal zum Subwoofer folgt und verhindert, dass sein Verstärker zu hörbaren Verzerrungen getrieben wird. Der Vorteil: der Bass bleibt in jeder Hörstufe sauber und stark.

Auspacken des Systems

Packen Sie die den Subwoofer vorsichtig aus. Sollten Sie Anzeichen eines Transportschadens feststellen, wenden Sie sich unverzüglich an den Händler und/oder Lieferservice. Bewahren Sie den Frachtkarton und das Verpackungsmaterial zur späteren Wiederverwendung auf. Achten Sie darauf, die Rechnung an einem sicheren Ort aufzubewahren, da Sie sie eventuell für Garantiezwecke später benötigen.

ASW 650 und ASW 250 Subwoofer

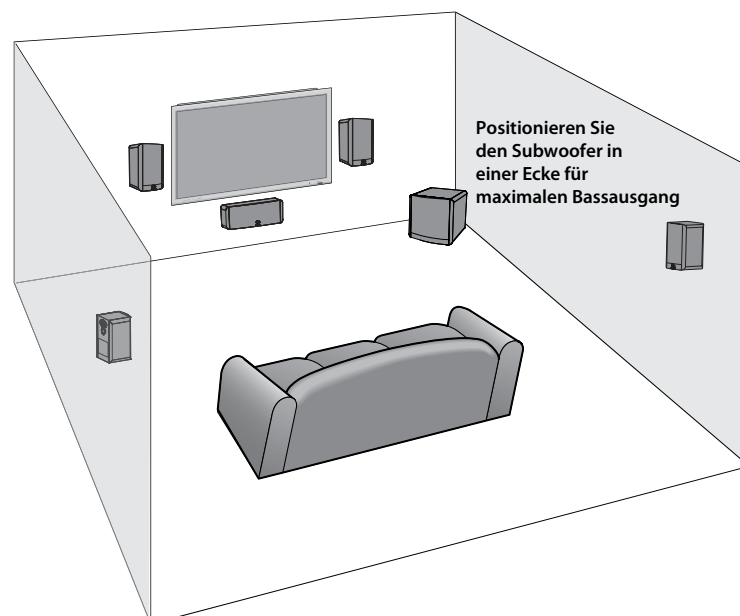


Aufstellungsoptionen

Stellen Sie den Subwoofer neben eine Wand oder in eine Ecke in der Nähe Ihrer Hauptlautsprecher. Der Klang ist für gewöhnlich dann am besten, wenn der Subwoofer sich innerhalb eines 15-Fuß (4,5 m)-Radius um die Hauptlautsprecher befindet. Durch den gestochen scharfen Crossover Roll-Off mit 24 dB/Oktave kann das Gerät wenn nötig auch weiter entfernt von den Hauptlautsprechern aufgestellt werden. Da das menschliche Ohr die niedrigen Frequenzen des Subwoofers nicht zuordnen kann, hört es sich trotzdem so an, als würde der Bass aus den Hauptlautsprechern kommen. Probieren Sie es am besten aus, die meisten Positionen im Raum werden gut funktionieren.

Das Niveau des Bassausgangs des Subwoofers variiert je nachdem, an welcher Stelle im Raum man ihn aufstellt. Wird er nahe einer Wand positioniert, wird die Lautstärke betont. Ein Aufstellen in der Ecke bietet den höchsten Bassausgang. Wird er ganz von der Wand weg gestellt, wird eventuell zu wenig Bass erzeugt. Ungeachtet des natürlichen Bass-Niveaus innerhalb des Raums haben Sie immer die Möglichkeit, den Subwoofer mit Hilfe der eingebauten Lautstärkekontrolle einzustellen. Sollten Sie den Subwoofer einmal von seinem angestammten Platz wegbewegen, überprüfen Sie alle Einstellungen.

WICHTIG: Stellen Sie den Subwoofer nie so auf, dass die Möglichkeit eines Kontakts zwischen dem hinteren Panel und Vorhängen oder Möbeln besteht.



Anschlüsse

Nachdem Ihre Lautsprecher ordentlich platziert worden sind, können Sie Ihr System nun verkabeln.

HINWEIS: Die Elektronik des Subwoofers wird immer mit Strom versorgt, wenn er nicht ausgesteckt ist oder der *Audio-On/Ein-Schalter* an der Rückseite auf *Mute/Stumm* gestellt ist. Die Auto-On/Ein-Schaltung aktiviert und deaktiviert lediglich den Leistungsverstärker. Stellen Sie sicher, dass Ihr Subwoofer und Receiver ausgesteckt sind, wenn Sie sie anschließen (230 V Modelle werden mit einem Netzschalter geliefert, der die Stromzufuhr des Subwoofers komplett abschaltet).

Strom: Sie sollten den Subwoofer immer in eine Wandsteckdose oder eine dedizierte Steckdose einstecken. Einige Receiver verfügen über eine Schaltersteckdose. Diese sollten Sie nicht verwenden. Diese geräteeigenen Steckdosen bieten nicht genügend Spannung oder ordentliche Isolierung für eine Endstufe, wie sie in ihrem Subwoofer vorhanden ist.

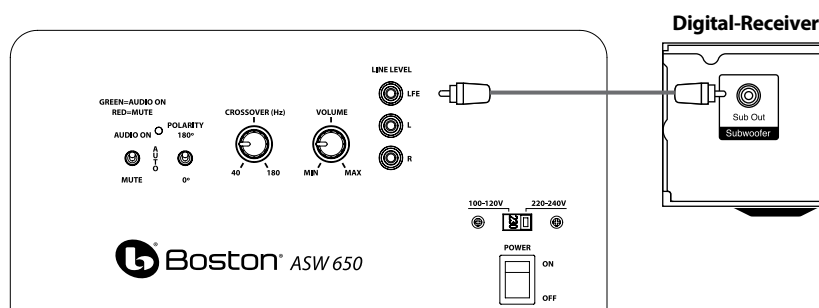
Line-Level oder LFE-Eingang: Verwenden Sie bei den meisten Systemen den Line-Level- oder LFE-Eingang. Diese Eingänge empfangen das Line-Level-Signal vom Subwoofer-Ausgang Ihres Receivers. Das Handbuch Ihres Receivers gibt an, welcher Eingang sich am besten eignet.

Anschluss des Subwoofers an das Digital-Home-Theater-System mit Hilfe von LFE

Digital-Home-Theater-Geräte der Versionen 5.1, 6.1 und 7.1 stellen einen Kanal (Kanal ".1") zur Verfügung, um spezielle, in digital verschlüsselten Soundtracks enthaltene LFE-Informationen (wie Explosionen und Donner) wiederzugeben.

Wählen Sie im Setup-Menü Ihres Receivers die Einstellung "subwoofer-yes" aus. Auf diese Weise angeschlossen muss der Verstärker des Receivers die schwierigen tiefen Basssignale nicht mehr wiedergeben, die zu hörbaren Verzerrungen führen können. In einigen Fällen kann dies auch von verschiedenen anderen Einstellungen eines Receivers abhängen. Wir empfehlen Ihnen für weitere Informationen und Hilfestellungen das Handbuch Ihres Receivers zu Rate zu ziehen.

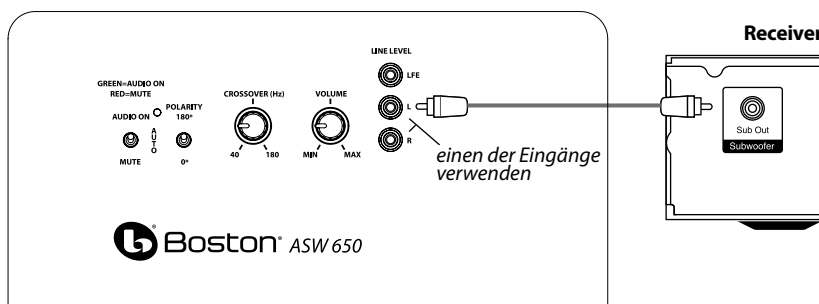
Verwenden Sie ein RCA-Kabel (nicht im Lieferumfang enthalten), um den LFE-Subwooferausgang Ihres Digital-Receiver mit dem Subwoofer zu verbinden.



Schließen Sie das andere Ende an den Line-Level/LFE-Eingang an.

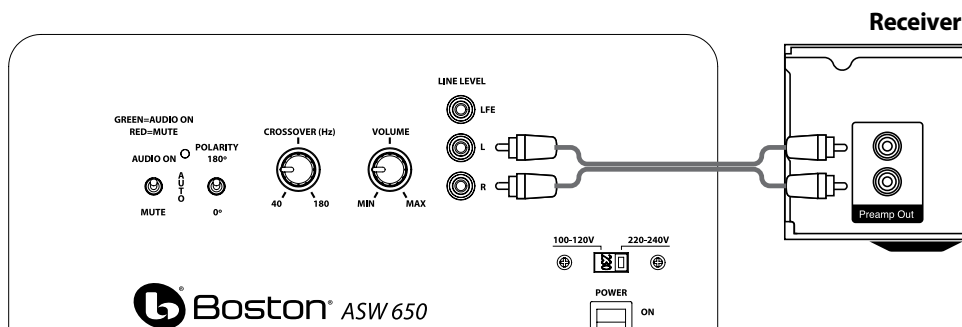
Anschluss des Subwoofers an ein Stereo System

Verwenden Sie für Stereo- oder Systeme den "Sub Out"-Anschluss von Ihrem Receiver zum Subwoofer-Eingang, der mit "L" oder "R" beschriftet ist.



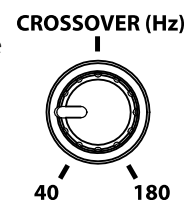
Anschluss an ein elektronisches Gerät ohne Subwoofer-Ausgang

Wenn der Receiver in Ihrem System keinen Subwoofer- oder LFE-Ausgang hat, können Sie den CSP Wi Subwoofer an einen Preamp-Ausgang anschließen. Verwenden Sie ein Stereo-RCA-Kabel (nicht im Lieferumfang enthalten), um die Preamp-Ausgänge an die Line-Level-Eingängen anzuschließen, die mit den Buchstaben "L" und "R" markiert sind.



Einstellung des Crossover-Reglers

Wenn Sie die Line-Level-Eingänge (nicht den LFE-Eingang) verwenden, wird der im Subwoofer eingebaute Crossover eingesetzt. Zunächst stellen Sie den Crossover-Regler des Subwoofers etwa 10 Hz über dem unteren Limit der Bass-Response Ihrer Hauptlautsprecher ein. Nehmen Sie die Feineinstellung des Crossovers nach Gehör vor, um eine optimale Mischung mit Ihren Hauptlautsprechern zu erzielen. Die beste Einstellung des Crossover-Reglers hängt von der Platzierung der Lautsprecher und Ihren persönlichen Vorlieben ab.



Betrieb

Audio On/Auto/Mute (Audio Ein/Auto/Stumm)

Stecken Sie das Netzkabel Ihres Subwoofers in eine Wandsteckdose. Verwenden Sie nicht die Steckdosen auf der Rückseite des Receivers. Stellen Sie den Audioschalter auf die gewünschte Einstellung.

AUDIO ON/EIN – Der Subwoofer ist immer eingeschaltet.

AUTO – Das Audiosignal des Subwoofers schaltet sich von selbst ein, sobald ein Signal empfangen wird. Wird kein Signal entdeckt, schaltet er automatisch nach einigen Minuten in den Stumm-Modus um.

MUTE/STUMM – Der Subwoofer ist stumm geschaltet und erzeugt keinen Ton. Wenn Sie den Subwoofer einige Zeit nicht verwenden oder Strom sparen möchten, können Sie ihn ausstecken. (Sie den Hauptschalter ausschalten, den Sie neben dem Netzkabel finden)

Eine LED-Anzeige neben dem *Polaritätsschalter* zeigt an, in welchem Modus der Subwoofer sich befindet.

OFF/AUS – Der Subwoofer ist ausgesteckt (oder der Hauptschalter ist bei ausgeschaltet)

ROT – Stummschaltung (Kein Signal wird empfangen, Amp Off/Aus)

GRÜN – Audio-On/Ein (Signal wird empfangen, Amp On/Ein)

Der Subwoofer schaltet automatisch in den Mute-Modus, wenn er mehrere Minuten lang kein Signal vom System erhalten hat. Das Subwoofer-Audiosignal schaltet sich dann sofort EIN, wenn ein Signal empfangen wird.

Polaritätsregler

(0° oder 180°): Wählt die reguläre (0°) oder invertierte (180°) Phase für den Subwoofer aus. Stellen Sie diesen Schalter so ein, dass der vollste, dynamischste Bass ertönt. Der Effekt dieser Phase ist bei Percussion-Instrumenten mit niedriger Frequenz oder Musik mit einer sich ständig wiederholenden Bassline am deutlichsten zu hören.

Crossover-Regler

Regelt die Frequenz des Tiefpasses für den Subwoofer. **Hinweis:** Dieser Regler ist nicht aktiv, wenn die LFE-Eingangsbuchse verwendet wird.

Lautstärkereglern

Stellen Sie den Volume-/Lautstärkereglern des Subwoofers auf die 11-Uhr-Position ein. Wenn Sie nichts vom Subwoofer hören, überprüfen Sie das Netzkabel, den Audio-On/Ein-Schalter, den Power-Schalter und die Eingangskabel..

Drehen Sie am Volume-/Lautstärkereglern des Subwoofers, bis Sie eine Übereinstimmung zwischen dem Hauptlautsprecher und dem Subwoofer hören. Die Bass-Response sollte den Raum nicht übertönen, sondern eher so eingestellt sein, dass eine natürliche Vermischung quer durch die gesamte musikalische Bandbreite besteht.

Wartung und Kundendienst

Alle Kabelverbindungen sollten wenigstens einmal im Jahr inspiziert und gereinigt oder erneuert werden.

Falls ein Problem auftritt, überprüfen Sie, ob alle Kabel angeschlossen sind. Falls ein Problem mit einem Lautsprecher auftritt, verkabeln Sie ihn an einem anderen Standort innerhalb des Systems. Sollte das Problem fortbestehen, liegt es am Lautsprecher. Funktioniert der Lautsprecher am neuen Standort einwandfrei, so ist dies ein Anzeichen für ein tieferes Problem mit der Elektronik des Systems. Für den Fall, dass Ihre Lautsprecher eine Wartung benötigen, wenden Sie sich an ihren örtlichen Boston Acoustics Händler oder besuchen Sie bostonacoustics.com/dealers, wo sie eine Liste von Händlern in Ihrer Nähe finden.

Eingeschränkte Garantie

Boston Acoustics garantiert dem Erstkäufer eines Subwoofers der A-Serie für einen Zeitraum von 5 Jahren ab Kaufdatum, dass dessen mechanische Teile frei sind von Materialfehlern und Verarbeitungsmängeln. Die Garantiedauer für die elektrischen Komponenten beträgt 1 Jahr.

Ihre Verantwortung besteht darin, sie entsprechend der beigefügten Anleitung zu installieren und zu betreiben, sie sicher bei einer autorisierten Boston Acoustics Service-Vertretung anzuliefern und den Kauf durch Vorlage des Verkaufsbelegs nachzuweisen, falls Garantieleistungen in Anspruch genommen werden.

Von dieser Garantie ausgeschlossen sind Schäden, die auf Missbrauch, unsachgemäße Installation, Unfall, Fracht oder Reparaturen/Modifikationen zurückzuführen sind, die von jemand anderem als einer autorisierten Boston Acoustics Service-Vertretung durchgeführt wurden.

Diese Garantie ist auf das Boston Acoustics Produkt beschränkt und erstreckt sich nicht auf etwaige damit verbundene Geräte. Diese Garantie deckt auch keine Kosten für den Ausbau oder die erneute Installation. Diese Garantie ist verwirkt, falls die Seriennummer entfernt oder unleserlich ist. Diese Garantie verleiht Ihnen bestimmte Rechte. Darüber hinaus haben Sie unter Umständen weitere Rechte, die von Staat zu Staat variieren.

Reparaturanforderung

Falls ein Kundendienst notwendig scheint Kontakt mit dem Händler auf, bei dem Sie das Produkt gekauft haben.

Für weitere Informationen, besuchen Sie bitte <http://www.bostona.eu/>



Nur für Kunden in der EU

Dieses auf dem Produkt angebrachte Symbol weist darauf hin, dass das Produkt nicht mit dem Hausmüll entsorgt werden darf. Es muss bei einer Sammelstelle für Elektronikschrott abgegeben oder dem Händler zurückgegeben werden, wenn ein ähnliches Produkt erworben wird. Der Hersteller hat für das Recycling dieses Produktes bezahlt. Dies trägt zur Wiederverwertung und zum Recycling bei, minimiert schädliche Auswirkungen auf die Umwelt und die menschliche Gesundheit und vermeidet Geldbußen für unsachgemäße Entsorgung.



300 Jubilee Drive, Peabody, MA 01960 USA
www.bostonacoustics.com

© 2010. All rights reserved. Boston, Boston Acoustics, the B/A ellipse symbol, Play Smart, BassTrac, and Deep Channel are registered trademarks of Boston Acoustics, Inc. Specifications are subject to change without notice. 142-003930-1

Download from Www.Somanuals.com. All Manuals Search And Download.

Free Manuals Download Website

<http://myh66.com>

<http://usermanuals.us>

<http://www.somanuals.com>

<http://www.4manuals.cc>

<http://www.manual-lib.com>

<http://www.404manual.com>

<http://www.luxmanual.com>

<http://aubethermostatmanual.com>

Golf course search by state

<http://golfingnear.com>

Email search by domain

<http://emailbydomain.com>

Auto manuals search

<http://auto.somanuals.com>

TV manuals search

<http://tv.somanuals.com>