

IMPORTANT:
Read Before Using

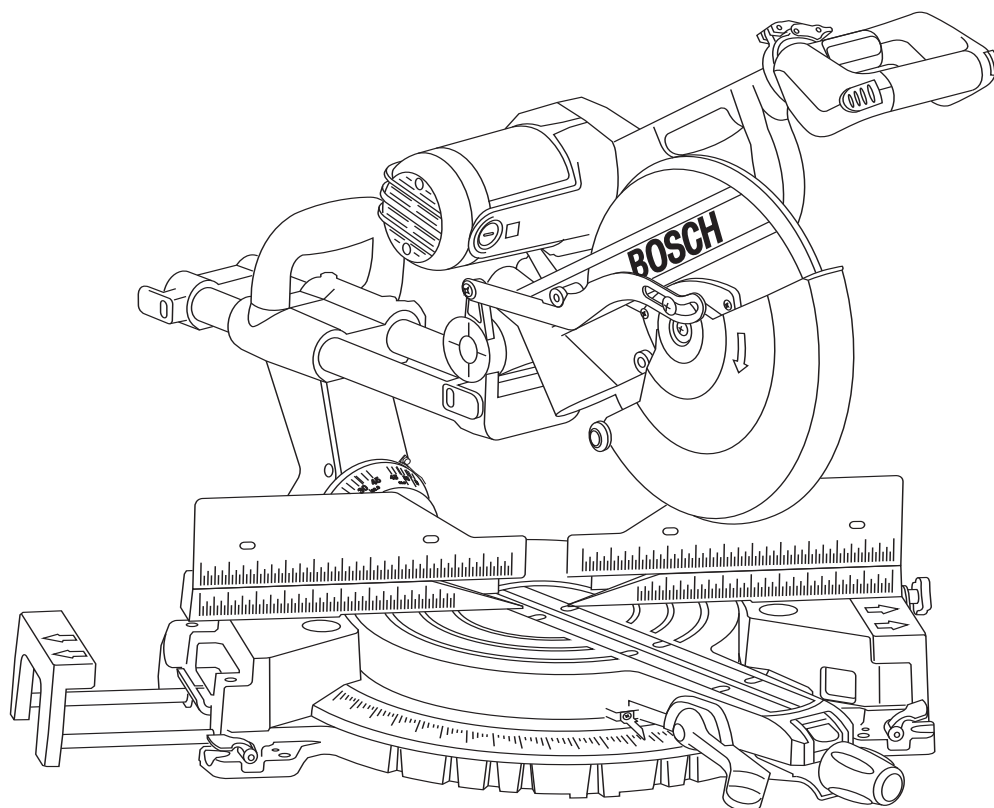
IMPORTANTE:
Leer antes de usar

IMPORTANT :
Lire avant usage



Operating/Safety Instructions
Instrucciones de funcionamiento y seguridad
Consignes de fonctionnement/sécurité

4410L



BOSCH

**Call Toll Free
for Consumer Information
& Service Locations**

**Llame gratis para
obtener información
para el consumidor y
ubicaciones de servicio**

**Pour renseignement des
consommateurs et centres
de service, appelez au
numéro gratuit :**

1-877-BOSCH99 (1-877-267-2499) www.boschtools.com

**For English
See page 2**

**¿Habla español?
Ver página 40**

**Parlez-vous français?
Voir page 78**

Safety



“READ ALL INSTRUCTIONS” — Failure to follow the SAFETY RULES identified by BULLET (●) symbol listed BELOW and other safety precautions, may result in serious personal injury.

General Safety Rules for Bench Top Tools

Work Area

- **Keep work area clean and well lit.** Cluttered benches and dark areas invite accidents.
- **Do not operate power tools in explosive atmospheres, such as in the presence of flammable liquids, gases or dust.** Power tools create sparks which may ignite the dust or fumes.
- **Keep bystanders, children and visitors away while operating a power tool.** Distractions can cause you to lose control.
- **Store idle tools out of reach of children and other untrained persons.** Tools are dangerous in the hands of untrained users.
- **Do not leave tool running unattended, turn power off.** Do not leave tool until it comes to a complete stop.
- **MAKE WORKSHOP CHILDPROOF** with pad lock, master switches, or by removing starter keys.

Electrical Safety

- **Before plugging in the tool, be certain the outlet voltage supplied is compatible with the voltage marked on the nameplate within 10%.** An outlet voltage incompatible with that specified on the nameplate can result in serious hazards and damage to the tool.
- **Double insulated tools are equipped with a polarized plug (one blade is wider than the other). This plug will fit in a polarized outlet only one way. If the plug does not fit fully in the outlet, reverse the plug. If it still does not fit, contact a qualified electrician to install a polarized outlet. Do not change the plug in any way.** Double insulation eliminates the need for the three wire grounded power cord and grounded power supply.
- **Avoid body contact with grounded surfaces such as pipes, radiators, ranges and refrigerators.** There is an increased risk of electric shock if your body is grounded.

- **Do not expose power tools to rain or wet conditions.** Water entering a power tool will increase the risk of electric shock.
- **Do not abuse the cord. Never use the cord to carry the tools or pull the plug from an outlet. Keep cord away from heat, oil, sharp edges or moving parts. Replace damaged cords immediately.** Damaged cords increase the risk of electric shock.
- **When operating a power tool outside, use an outdoor extension cord marked “W-A” or “W”.** These cords are rated for outdoor use and reduce the risk of electric shock.

Personal Safety

- **Stay alert, watch what you are doing and use common sense when operating a power tool.** A moment of inattention or use of drugs, alcohol or medication while operating power tools can be dangerous.
- **Dress properly. Do not wear loose clothing or jewelry. Contain long hair. Keep your hair, clothing and gloves away from moving parts.** Loose clothes, jewelry or long hair can be caught in moving parts. Roll long sleeves above elbows. Rubber gloves and non-skid footwear are recommended when working outdoors.
- **Avoid accidental starting. Be sure switch is “OFF” before plugging in.** Carrying tools with your finger on the switch or plugging in tools that have the switch “ON” invites accidents.
- **Remove adjusting keys or wrenches before turning the tool “ON”.** A wrench or a key that is left attached to a rotating part of the tool will be thrown.
- **Do not overreach, keep proper footing and balance at all times.** Proper footing and balance enables better control of the tool in unexpected situations.
- **Do not stand on tool or its stand.** Serious injury may occur if the tool is tipped or if the cutting tool is accidentally contacted. Do not store materials on or near the tool such that it is necessary to stand on the tool or its stand to reach them.

“SAVE THESE INSTRUCTIONS”

Safety



WARNING “READ ALL INSTRUCTIONS” — Failure to follow the SAFETY RULES identified by BULLET (●) symbol listed BELOW and other safety precautions, may result in serious personal injury.

- **Use safety equipment. Always wear safety goggles.** Dust mask, safety shoes, hard hat or hearing protection must be used for appropriate conditions. Everyday eyeglasses only have impact resistant lenses, they are NOT safety glasses.

Tool Use and Care

- **Use clamps or other practical way to secure and support the workpiece to a stable platform.** Holding the work by hand or against your body is unstable. It allows for work to shift, causes binding of the tool and loss of control.
- **Do not force tool. Use the correct tool for your application.** The correct tool will do the job better and safer at the rate for which it is designed. Do not use the tool for purpose not intended - for example; do not use the miter saw for slicing meats.
- **Do not use tool if switch does not turn it “ON” or “OFF”.** Any tool that cannot be controlled with the switch is dangerous.
- **Disconnect the plug from the power source before making any adjustments or changing accessories.** Such preventive safety measures reduce the risk of starting the tool accidentally.
- **Keep cutting tools sharp and clean.** Properly maintained tools, with sharp cutting edges, are less likely to bind and easier to control. When mounting saw blades be certain that the arrow on the blade matches the direction of the arrow marked on the tool and that the teeth are also pointing in the same direction.
- **Inspect guards before using a tool. Keep guards in place. Check moving parts for binding or any other condition that may affect the normal operation or safety features of the tool. If damaged, have tool serviced before using the tool.** Many accidents are caused by poorly maintained tools.
- **Do not alter or misuse tool.** Any alteration or modification is a misuse and may result in serious personal injury.
- **The use of any other accessories not specified in this manual may create a hazard.** Accessories that may be suitable for one type of tool, may become hazardous when used on an inappropriate tool.

Service

- **Tool service must be performed only by qualified repair personnel.** Service or maintenance performed by unqualified personnel may result in misplacing internal wires and components which could cause serious hazard.
- **When servicing a tool, use only identical replacement parts. Follow instructions in the Maintenance section of this manual.** Use of unauthorized parts or failure to follow Maintenance Instructions may create a hazard.

Safety Rules For Miter Saws

- **Use clamps to support workpiece whenever possible. If supporting the workpiece by hand, you must always keep hand outside of “No Hand” area as marked with a symbol on the base. Do not use this saw to cut pieces that are too small to be securely clamped.** Your hand if placed inside the “No Hands” region can easily slip or be pulled into the blade.
- **Do not reach in back of the saw blade behind the fence with either hand to hold down or support the workpiece, remove wood scraps, or for any other reason.** The proximity of the spinning saw blade to your hand may not be obvious and you may be seriously injured.
- **Never cross your hand over intended line of cutting.** Supporting the workpiece “cross handed” i.e. holding the left side of the workpiece with your right hand is very dangerous.
- **Always disconnect the power cord from the power source before making any adjustments or attaching any accessories.** You may unintentionally start the saw, leading to serious personal injury.
- **Miter saws are intended to cut wood or woodlike products, they cannot be used with abrasive cutoff wheels for cutting ferrous material such as bars, rods, studs, etc. However, if cutting materials like aluminum or other non-ferrous metals, use only saw blades specifically recommended for non-ferrous metal cutting.** Cutting ferrous materials causes excessive sparking and will damage the lower guard and will overload the motor. (NOTE: Bosch Tool Corporation does not offer 10” metal cutting blades.)

“SAVE THESE INSTRUCTIONS”

Safety



WARNING “READ ALL INSTRUCTIONS” — Failure to follow the SAFETY RULES identified by BULLET (●) symbol listed BELOW and other safety precautions, may result in serious personal injury.

- **Inspect your workpiece before cutting. If workpiece is bowed or warped, clamp it with the outside bowed face toward the fence. Always make certain that there is no gap between the workpiece, fence and table along the line of the cut.** Bent or warped workpieces can twist or rock and may cause binding on the spinning saw blade while cutting. Also, make sure there are no nails or foreign objects in the workpiece.
- **Do not use the saw until the table is clear of all tools, wood scraps, etc., except the workpiece.** Small debris or loose pieces of wood or other objects that contact the revolving blade can be thrown with high speed at the operator.
- **Do not feed workpiece into the blade or cut “freehand” in any way. Workpiece must be stationary and clamped or braced by your hand.** Saw must be fed through the workpiece smoothly and at a rate which will not overload the saw’s motor.
- **Cut only one workpiece at a time.** Multiple workpieces cannot be adequately clamped or braced and may bind on the blade or shift during cutting.
- **Be certain the miter saw is mounted or placed on a level, firm work surface before using.** A level and firm work surface reduces the risk of the miter saw becoming unstable.
- **Plan your work. Provide adequate support accessories such as tables, saw horses, table extension, etc. for workpieces wider or longer than the table top (see page 20).** Workpieces longer or wider than the miter saw table can tip if not securely supported. If the cutoff piece or workpiece tips it can lift the lower guard or be thrown by the spinning blade.
- **Do not use another person as a substitute for a table extension or as additional support.** Unstable support for the workpiece can cause the blade to bind or the workpiece to shift during the cutting operation pulling you and the helper into the spinning blade.
- **The cutoff piece must not be jammed against or pressured by any other means against the spinning saw blade.** If confined, i.e. using length stops, it could get wedged against the blade and thrown violently.
- **Always use a clamp or a fixture designed to properly support round material such as dowel rods, or tubing.** Rods have a tendency to roll while being cut, causing the blade to “bite” and pull the work with your hand into the blade.
- **When cutting irregularly shaped workpieces, plan your work so it will not slip and pinch the blade and be torn from your hand.** A piece of molding, for example, must lie flat or be held by a fixture or jig that will not let it twist, rock or slip while being cut.
- **Let the blade reach full speed before contacting the workpiece.** This will help avoid thrown workpieces.
- **If the workpiece or blade becomes jammed or bogged down, turn miter saw “OFF” by releasing switch. Wait for all moving parts to stop and unplug the miter saw, then work to free the jammed material.** Continued sawing with jammed workpiece could cause loss of control or damage to miter saw.
- **Braking action of the saw causes the saw head to jerk downward. Be ready for this reaction** when making an incomplete cut or when releasing the switch before the head is completely in the down position.
- **After finishing the cut, release the switch, hold the saw arm down and wait for blade to stop before removing work or cutoff piece. If blade does not stop within five (5) seconds, unplug the saw and follow the instructions in the Troubleshooting section. REACHING WITH YOUR HAND UNDER A COASTING BLADE IS DANGEROUS!**
- **There are additional safety instructions for particular operations of the saw in the operating section. Read the rest of the manual for safe operation.**
- **For slide action cutting, first PULL saw head assembly away from the fence, until blade clears the workpiece or to its maximum extension if blade cannot clear the workpiece. Make certain the clamp does not interfere with the guard and head assembly. Second, turn saw “ON” and lower the saw to the table. Then PUSH saw through the workpiece. Release the switch and wait for the blade to completely stop before raising the head assembly and removing the workpiece.** Never “pullcut” since blade may climb the workpiece causing KICKBACK.
- **For chop action cutting, slide the head assembly to the rear as far as it will go and tighten slide lock knob. Then turn the saw “ON” and lower the head assembly to make the cut. Release the switch and wait for the blade to completely stop before raising the head assembly and removing the workpiece.** Failure to tighten the slide lock knob can cause the blade to suddenly climb up on the top of the workpiece and force itself toward you.

“SAVE THESE INSTRUCTIONS”

Safety

⚠ WARNING “READ ALL INSTRUCTIONS” — Failure to follow the SAFETY RULES identified by BULLET (●) symbol listed BELOW and other safety precautions, may result in serious personal injury.

- **Do not allow familiarity gained from frequent use of your miter saw to become commonplace.** Always remember that a careless fraction of a second is sufficient to inflict severe injury.
- **THINK SAFETY! SAFETY IS A COMBINATION OF OPERATOR'S COMMON SENSE, KNOWLEDGE OF THE SAFETY AND OPERATING INSTRUCTIONS AND ALERTNESS AT ALL TIMES WHEN THE MITER SAW IS BEING USED.**

⚠ WARNING THE WARNINGS SHOWN BELOW CAN BE FOUND ON YOUR TOOL. THESE WARNINGS ARE ONLY A CONDENSED FORM OF THE MORE DETAILED SAFETY RULES AND PRECAUTIONS THAT APPEAR IN YOUR OWNER'S MANUAL. THEY SERVE AS A REMINDER OF ALL SAFETY RULES NEEDED FOR SAFE OPERATION OF THIS MITER SAW.

⚠ WARNING Some dust created by power sanding, sawing, grinding, drilling, and other construction activities contains chemicals known to cause cancer, birth defects or other reproductive harm. Some examples of these chemicals are:

- Lead from lead-based paints,
- Crystalline silica from bricks and cement and other masonry products, and
- Arsenic and chromium from chemically treated lumber.

Your risk from these exposures varies, depending on how often you do this type of work. To reduce your exposure to these chemicals: work in a well ventilated area, and work with approved safety equipment, such as those dust masks that are specially designed to filter out microscopic particles.

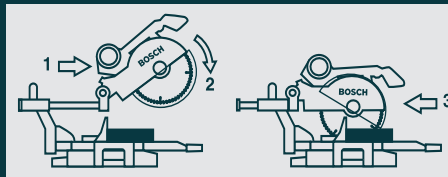


DESIGNATED DANGER ZONE. AVOID POSITIONING HANDS, FINGERS OR ARMS IN THE AREA DESIGNATED BY THIS SYMBOL.

BOSCH 4410L

⚠ WARNING To reduce risk of injury, user must read and understand the instruction manual. ▲ Wear eye and respiratory protection. ▲ Use saw blade rated 4800/min or greater. ▲ Do not use saw without functioning guard system. If guard doesn't operate smoothly, have it serviced. After changing blade return guard to operating position. ▲ Keep hands a safe distance from saw blade. Always keep outside of No-Hands zone. ▲ Hold or clamp workpiece against base and fence. Never perform any operation freehand. ▲ Do not Cross-Hand cut. Never place your hands or arms across the projected saw blade path. With motor OFF, make a Dry-Run to be aware of the blade's reach. ▲ After turning saw OFF, keep saw in the down position and wait for blade to stop before removing cutoff pieces or changing settings. ▲ To avoid electrical shock, do not expose to rain or use in damp locations. ▲ When servicing use only identical replacement parts. ▲ For bevel or compound cutting, adjust sliding fence clear of blade path and guard system.

▲ FOR SLIDE ACTION CUTTING, ALWAYS FOLLOW THESE INSTRUCTIONS:



1. PULL saw carriage away from the fence, until blade clears the workpiece or to its maximum extension if blade can not clear the workpiece.
2. Turn saw "ON" and lower the saw to the table.
3. PUSH saw thru the workpiece. Never "pull-cut" since blade may climb the workpiece causing KICKBACK.

BOSCH 4410L
Ø10" (254mm) DUAL-BEVEL SLIDE MITER SAW

120V~ 50/60Hz 15A n_c 4800/min (RPM) 0 601 66E 239

Patents Pending

Robert Bosch Tool Corp., Mount Prospect, IL
Made in Taiwan

SN: _____



DOUBLE INSULATED

E152254



LISTED TOOL 2936


“SAVE THESE INSTRUCTIONS”

Safety



“READ ALL INSTRUCTIONS” — Failure to follow the SAFETY RULES identified by BULLET (●) symbol listed BELOW and other safety precautions, may result in serious personal injury.

Double Insulated Tools

Double insulation  is a design concept used in electric power tools which eliminates the need for the three wire grounded power cord and grounded power supply system. It is a recognized and approved system by Underwriter's Laboratories, CSA and Federal OSHA authorities.

- Servicing of a tool with double insulation requires care and knowledge of the system and should be performed only by a qualified service technician.
- WHEN SERVICING, USE ONLY IDENTICAL REPLACEMENT PARTS.
- POLARIZED PLUGS. Your tool is equipped with a polarized plug (one blade is wider than the other), this plug will fit in a polarized outlet only one way. If the plug does not fit fully in the outlet, reverse the plug. If it still does not fit, contact a qualified electrician to install the proper outlet. To reduce the risk of electrical shock, do not change the plug in any way.

“SAVE THESE INSTRUCTIONS”

Extension Cords

- Replace damaged cords immediately. Use of damaged cords can shock, burn or electrocute.
- If an extension cord is necessary, a cord with adequate size conductors should be used to prevent excessive voltage drop, loss of power or overheating. The table shows the correct size to use, depending on cord length and nameplate amperage rating of tool. If in doubt, use the next heavier gauge. Always use U.L. and CSA listed extension cords.

RECOMMENDED SIZES OF EXTENSION CORDS

Tools Ampere Rating	120 Volt A.C. Tools Cord Length in Feet Cord Size in A.W.G.			
	25	50	100	150
3-6	18	16	16	14
6-8	18	16	14	12
8-10	18	16	14	12
10-12	16	16	14	12
12-16	14	12	N/A	N/A

NOTE: The smaller the gauge number, the heavier the cord.

Electrical Requirements

1. Connect this saw to a 120V, 15-amp branch circuit with a 15-amp time delay fuse or circuit breaker. Using the wrong size fuse can damage the motor.
2. Fuses may “blow” or circuit breakers may trip frequently if motor is overloaded. Overloading can occur if you feed the blade into the workpiece too rapidly or start and stop too often in a short time.
3. Most motor troubles may be traced to loose or incorrect connections, overload, low voltage (such as small size wire in the supply circuit or too overly long supply circuit wire). Always check the connections, the load and the supply circuit whenever motor does not work well.

Electric Brake

Your saw is equipped with an automatic electric brake which is designed to stop the blade from spinning in about five (5) seconds after you release the trigger switch. It is useful when making certain cuts in wood where a coasting blade would result in a wide, imprecise cut.



When electrical power is lost due to blown fuse or other causes, the motor will gradually slow down and the braking action is initiated ONLY by the release of the trigger switch.

The electric blade brake of your miter saw has been designed for highest degree of reliability, but unexpected circumstances such as contamination on the commutator and brushes or failure of motor's components can cause the brake not to activate. If this condition occurs, turn the saw “ON” and “OFF” four to five times without contacting the workpiece. If the tool operates but the brake does not consistently stop the blade in about five (5) seconds, DO NOT use saw and have it serviced immediately.



The brake action of this saw is not intended as a safety feature. Remember to let the saw blade come to a complete stop before raising the blade from the workpiece. As always the guard system is your best protection against unintentional contact with a spinning saw blade. NEVER wedge open or defeat the closing action of the lower guard.

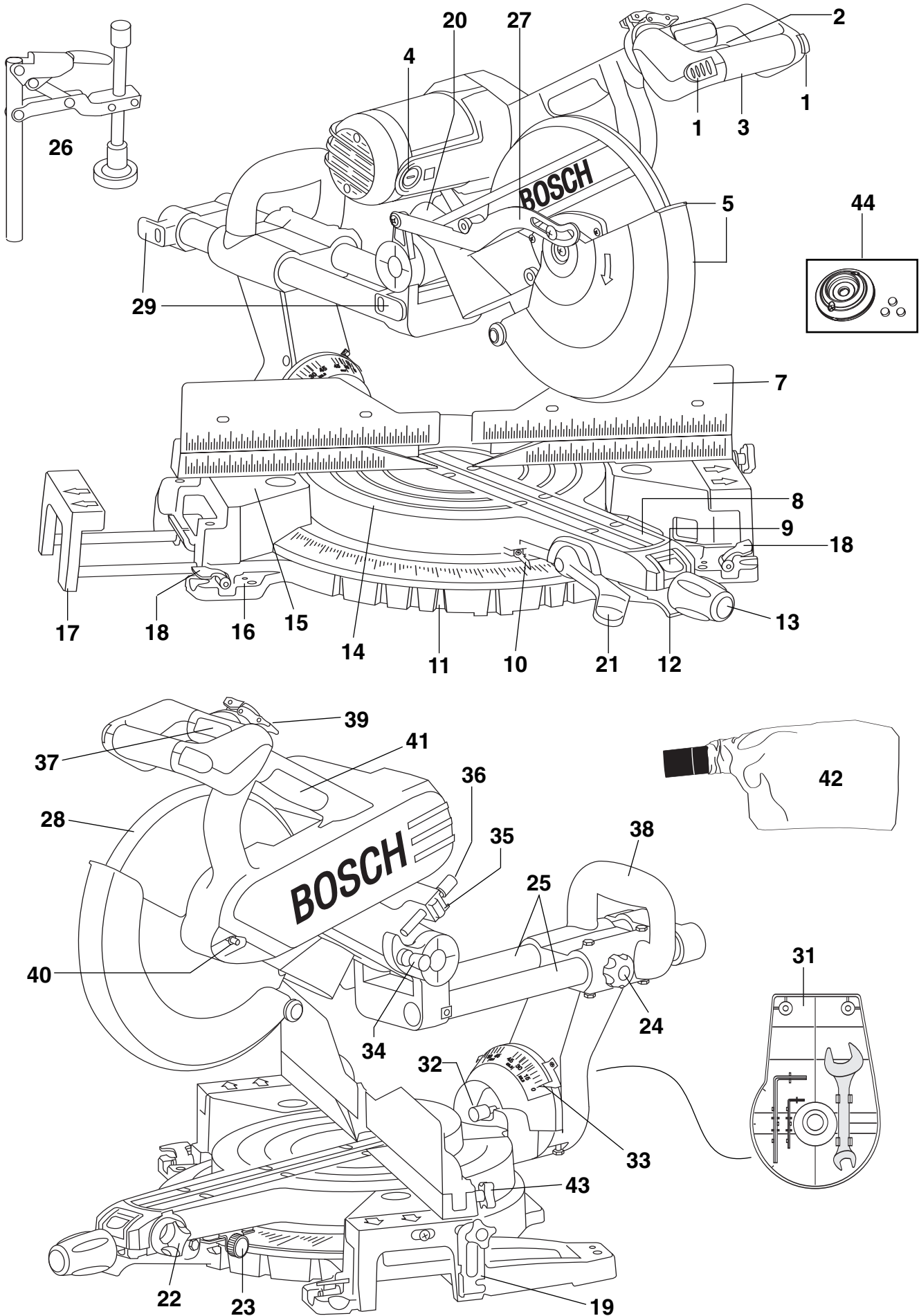
Table of Contents

Safety	2-6	Switch Activation	23
General Safety Rules for Bench Top Tools	2	Detent Override	24
Safety Rules for Miter Saws.....	3-6	Microfine Miter Adjustment	24
Electrical Requirements	6	Sliding Fences and Base Extensions.....	25
Table of Contents	7	Saw Operations	26-34
Getting To Know Your Miter Saw	8-9	Chop Cut	26
Assembly	10-12	Slide Cut.....	26
Unpacking & Checking Contents	10	Miter Cut.....	27
Tools for Assembly & Alignment.....	10	Bevel Cut.....	28-29
Installation & Removal of the Blade	11-12	Compound Cuts	29
Assembling Dust Elbow & Dust Bag	12	Cutting Grooves	30
Adjustments	13-17	Length Stop	30
Checking 0° Bevel Adjustment	13	Cutting Base Molding	31
Right 45° Bevel Stop	14	Cutting Crown Molding.....	31-33
Left 45° Bevel Stop	15	Special Cuts	34
Adjusting Bevel Lock Lever Tension	15	Maintenance & Lubrication	35-36
Blade Square to Fence	16	Carbon Brushes	35
Miter Scale Indicator Adjustment.....	16	Belt Replacement	35
Kerf Insert.....	17	Cleaning	35
Depth Adjustment	17	Care of Blades.....	36
Slide Action Adjustment.....	18	Tool Lubrication	36
Transporting, Placement & Mounting	19-20	Bearing	36
Mounting Applications	19	Troubleshooting	36-37
Mounting the saw	20	Electrical Troubleshooting	36
Adjusting the Four Position Switch Handle	20	General Troubleshooting	37
Basic Saw Operations	21-24	Accessories	38
Body and Hand Position.....	21	Warranty	116
Workpiece Support.....	22-23		

Getting To Know Your Miter Saw

⚠ WARNING To avoid injury from accidental starting, remove plug from power source outlet before making any adjustments.

- 1. Switch Lock-Off Release Button** – One of these two buttons must be pressed before the power switch can be pressed.
- 2. Power Switch** – The power switch used with the “Lock-OFF” button energizes the unit.
- 3. Main Handle** – This handle contains the power switch. Pulling this handle down lowers the blade into the workpiece.
- 4. Brush Caps** – These caps keep the motor brushes in position and provide easy access for inspecting and replacing brushes.
- 5. Lower Blade Guard/Lower Guard Lip** – The lower blade guard helps protect your hands from the spinning blade. It retracts as the blade is lowered. Lip can be used to raise the lower guard when guard becomes jammed on a workpiece.
- 6. Blade** – Use only 10" blades with 5/8" arbor hole.
- 7. Sliding Fence** – Supports the workpiece. The fence has a cast in scale to make repetitive cuts easy. The fence also has holes to secure an auxiliary fence if desired.
- 8. Kerf Inserts** – Kerf inserts can be adjusted to different blade widths to minimize workpiece tear-out.
- 9. Miter Detent Override** – Allows detent action to be locked out allowing for micro adjustments to any miter angle.
- 10. Miter Scale/Miter Angle Indicator** – This scale is cast in on the base of the saw. Indicator is fastened to the table.
- 11. Miter Detents** – There are ten (10) miter detent slots for fast and accurate miter cuts of common miter angles.
- 12. Miter Detent Lever** – The lever releases the table from the detent.
- 13. Miter Lock Knob** – The miter lock knob locks the miter saw table at any desired miter angle.
- 14. Table** – Sits in base, provides workpiece support, rotates for desired miter cuts and rotates the head assembly. The front extended part of the table is called the miter arm.
- 15. Base** – Provides working surface to support workpiece.
- 16. Tool Mounting Pads** – The four corners of the saw provide areas to clamp, bolt or nail the saw to a flat work surface.
- 17. Sliding Base Extensions** – These extensions provide extra workpiece support and are especially useful when cutting long workpieces.
- 18. Base Extension Clamping Levers** – Locks the base extensions at desired positions.
- 19. Length Stop** – For repetitive cuts of the same length. Can be moved to left side, if desired.
- 20. Dust Port** – The dust port can accommodate the dust chute and dust bag or optional VAC004 Vacuum Hose Adapter, which accepts Bosch 35mm hoses.
- 21. Bevel Lock Lever** – The front-positioned bevel lock lever locks the head assembly at the desired bevel angle.
- 22. Bevel Range Selector Knob** – Allows selection of the bevel range, 0° to 45° left, 0° to 45° right, and complete range of 47° left to 46° right.
- 23. Microfine Miter Adjustment System** – Allows for fine adjustment (up to 2 degrees to the left or right) of the detent angles.
- 24. Slide Rail Lock Knob** – Locks the slide rails when not making slide cuts or when transporting the saw.
- 25. Slide Rails** – Guide the head assembly when making slide cuts.
- 26. Quick-Action Clamp Position Holes** – There are two (2) holes (not shown) behind the fence for placing the quick action clamp.
- 27. Lower Guard Actuation Link** – Allows for smooth movement of the lower guard.
- 28. Upper Blade Guard** – Covers upper portion of the blade.
- 29. Cord Wrap** – Allows you to easily wrap up the cord so it's out of the way when transporting or storing.
- 30. Power Cord** – Supplies power to motor.
- 31. Rear Cover Tool Storage** – Storage for 10mm/17mm Combination Open End Wrench and 1.5mm & 3mm Hex “L” Wrenches.
- 32. Bevel Detent Pin (Crown Molding Setting)** – Allows you to easily lock the head assembly to the bevel angle of 33.9° to the left or right.
- 33. Bevel Scale** – This scale is large and angled to allow you to easily read bevel angles.
- 34. Head Assembly Lock Pin** – Used to lock the head assembly in the lower position for transporting.
- 35. Quick Release Depth Stop Button** – Allows you to quickly release the depth stop.
- 36. Depth Stop Fine Adjustment Knob**—Allows you to adjust the depth of the blade for cutting grooves in the workpiece.
- 37. Handle Rotation Release Lever** – Pulling this lever allows the handle to be rotated. Release the lever into one of four operating positions.
- 38. Rear Carrying Handle** – Used for lifting of the tool.
- 39. Handle Clamp** – Locks handle in the selected position.
- 40. Arbor Lock**—Keeps the blade from rotating while tightening or loosening arbor screw during blade replacement or removal.
- 41. Front Carrying Handle** – Used for lifting the tool.
- 42. Dust Bag and Dust Elbow** – Used to collect saw dust.
- 43. Sliding Fence Lock Knob** – Used to hold fence position after slide adjustment.
- 44. Arbor Laser / 3x Battery.**



Unpacking & Checking Contents

⚠ WARNING Before moving the saw: Lock the miter lock knob in 60° position. Lock bevel lock handle. Pull the head assembly completely toward you and tighten the slide rail lock knob. Lock head assembly in the down position.

Never carry the tool by the slide rails, this may cause blade damage. Never carry the tool by the cord or head assembly power switch handle. Damage to insulation could cause an electric shock. Damage to wire connections could cause a fire.

Your new Model 4410 Miter Saw is shipped complete in one box, But you may need to make some adjustments and alignments before cutting final work-pieces.

Separate all parts from packing materials and check each one with the "Check List of Loose Parts" to make sure all items are accounted for before discarding any packing material.

Check List of Loose Parts:

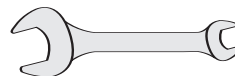
- Quick- Action Clamp** (Item #25 on page 8)
- Dust Elbow/Dust Bag** (Item #42 on page 9)
- Multi Purpose Tool** (See below)
- Miter Lock Knob** (Item #13 on page 8)
- 1.5mm Hex "L" Wrench** (See below)
- 3mm Hex "L" Wrench** (See below)
- 10mm/17mm Combination Open-End Wrench** (See below)
- Arbor Laser / 3x Battery / Arbor Laser Manual**

⚠ WARNING If any parts are missing, do not plug in power cord or turn the switch on until the missing parts are obtained and are installed correctly.

Tools for Assembly & Alignment



Multi-Purpose Tool with Bit (4mm/Philips #2)
(supplied, stored on the right rear base)



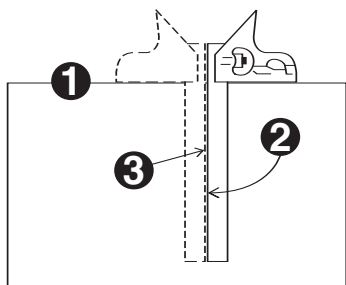
10mm/17mm Combination Open End Wrench
(supplied, see figure below)



Combination Square (not included)



1.5mm & 3mm Hex "L" Wrench
(supplied, see figure below)

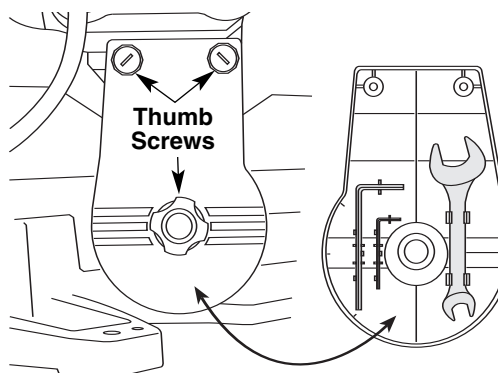


Combination Square Must be True

1. Use the straight edge of a 3/4" thick board (this edge must be perfectly straight).
2. Draw a line on the board along this edge.
3. There should be no gap or overlap when the square is flipped over in dotted position.

Rear Cover Tool Storage

The Open End Wrench and Hex Wrenches are stored on the inside rear cover of the saw. To remove the cover, unscrew the two top and center thumb screws.



Assembly

Installation And Removal Of The Blade

⚠ WARNING Disconnect plug from power source before performing any assembly, adjustment or repair to avoid possible injury.

1. The miter saw is equipped with a lock pin used to lock the miter saw in the lowered position. To release, push the handle down slightly and pull the lock pin to its full out position and rotate 90°.

NOTE: If there is difficulty in pulling the lock pin out, you may need to adjust the depth stop bolt so the handle can be pushed down.

2. Loosen, but do not remove, both cover plate screws (front and rear). (Figure 1)

3. Lift the lower guard and the cover plate so the blade bolt is exposed (Figure 1).

4. Remove blade bolt by pressing the arbor lock (Item #40 on page 9) while turning bolt clockwise using the multi purpose tool.

NOTE: The blade bolt has left hand threading.

5. Remove the blade bolt, outer washer and the blade. Do not remove inner washer (Figure 2).

6. Install 10" blade onto the arbor shaft (Figure 3).

NOTE: Make sure the rotation arrow on the blade matches the clockwise rotation arrow on the lower guard.

⚠ WARNING To avoid injury, do not use a blade larger or smaller than 10" diameter and 5/8" arbor. Smaller blades will not cut workpiece all the way through and larger blades will cut into table and/or blade guards.

7. Replace the outer washer in it's proper orientation and tighten blade bolt finger tight.

8. Press the arbor lock and tighten blade bolt securely, but do not overtighten.

9. Rotate cover plate to its original position and tighten both cover plate screws.

⚠ WARNING Never use saw without cover plate securely in place. Lower guard will not function properly.

10. Be sure the arbor lock is released so the blade turns freely.

⚠ WARNING After installing a new blade, make sure the blade does not interfere with the table insert at the 0° and 45° bevel positions. Lower the blade into the table slot and check for any contact with the base or turn table structure. If blade contacts base or table, seek authorized service.

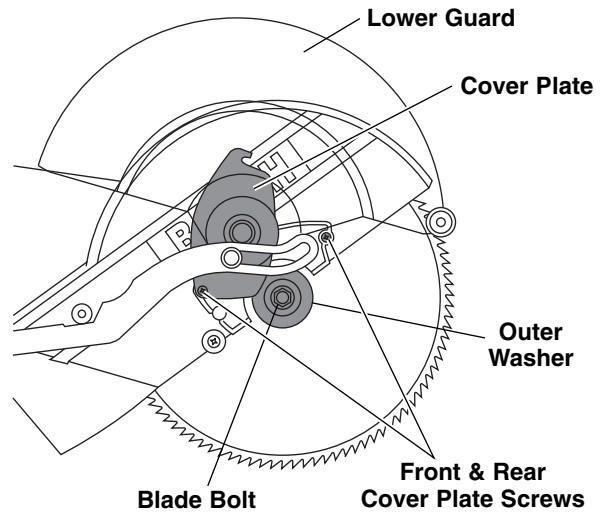


Figure 1. Blade Removal

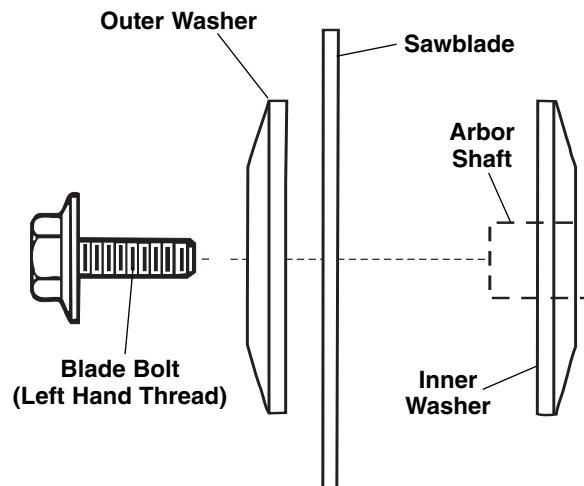


Figure 2. Blade Hardware

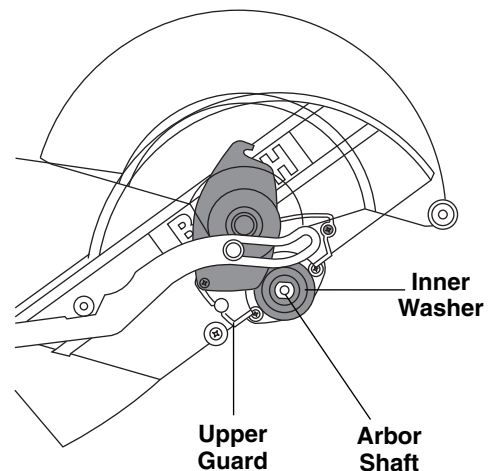


Figure 3. Blade Installation

Assembly (continued)

Attaching Miter Lock Knob

Locate the miter gauge lock knob from among the loose parts, and thread shaft into miter detent assembly as shown in illustration.

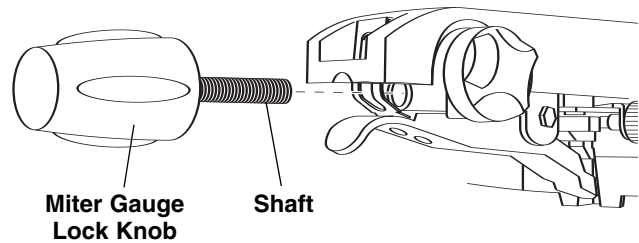


Figure: Miter Lock Knob

Assembling Dust Elbow And Dust Bag

1. With the miter arm locked in the down position, push the dust elbow onto the dust port. Push the dust bag onto the elbow and rotate both to desired position.
2. Position dust chute/bag so that it does not interfere with the tool during the cutting operation for all miter/bevel settings. Make sure dust bag does not interfere with the slide rails during slide cutting.
3. The dust bag requires emptying when full of sawdust. Empty it frequently and after completion of sawing. Carefully remove dust bag from dust elbow. Empty dust bag in proper trash bin by unzipping the bag. Be extremely careful of dust disposed, materials in fine particle form may be explosive. Do not throw sawdust on an open fire. Spontaneous combustion, may in time, result from mixture of oil or water with dust particles.

NOTE: The dust port accepts the Bosch VAC004 Vacuum Hose Adapter, which allows connection to a Bosch 35mm vacuum hose.

⚠ WARNING When sawing chemically pressure treated lumber, paint that may be lead based, or any other materials that may contain carcinogens, use special precautions. A suitable respirator must be worn by all personnel entering the work area. Work area should be sealed by plastic sheeting and persons not protected should be kept out until work area is thoroughly cleaned.

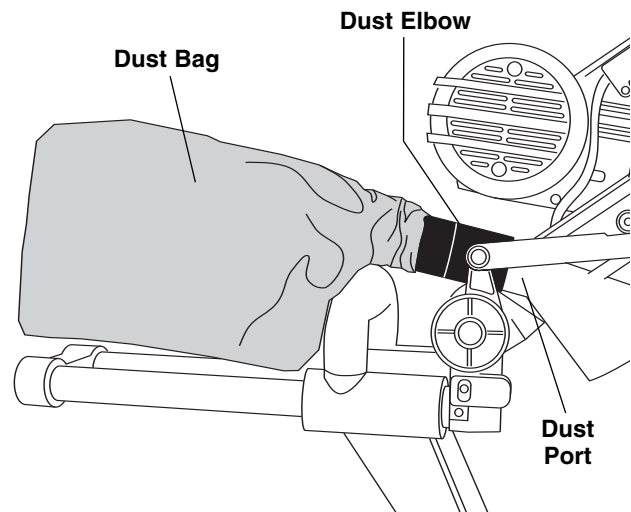


Figure: Dust Elbow and Dust Bag

Adjustments

⚠ WARNING Disconnect plug from power source before performing any assembly, adjustment or repair to avoid possible injury.

NOTE: Your miter saw was completely adjusted at the factory. However, during shipment, slight misalignment may have occurred. Check the following settings and adjust if necessary prior to using this miter saw.

Checking 0° Bevel Adjustment

1. Lower head assembly and engage head assembly lock pin.
2. Slide head assembly completely to the back and tighten the rail lock knob.
3. Rotate table to 0° miter position
4. Pull up bevel lock lever to unlock bevel.
5. Check position of bevel range selector knob, it should be at the 0°-45° position.
6. Tilt the saw assembly to the left, then rotate saw assembly to the right until you feel the stop in the vertical position. This is where the saw is currently set for the 0° bevel cut.

Use a combination square to check blade squareness to the table. Place the square on the table and press it against the blade. If the blade does not contact the full length of the square, (figure 1), follow the calibrating procedure.

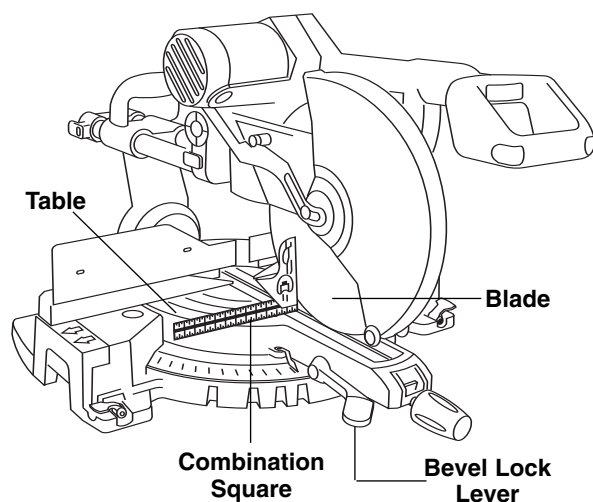


Figure 1. Blade Square to Table

Calibrating Blade at 0° (90° to the table)

NOTE: Calibrating the bevel setting also automatically calibrates the 33.9° stops.

1. Remove rear cover to expose bolts.
2. Lift bevel lock lever to release bevel lock.
3. Loosen bolt heads "A" and "B" with 10mm open-end wrench at least one full turn (Figure 2).
4. Place 4mm Allen wrench bit onto multi-purpose tool and loosen setscrew "D" at least 3 full turns (Figure 2).

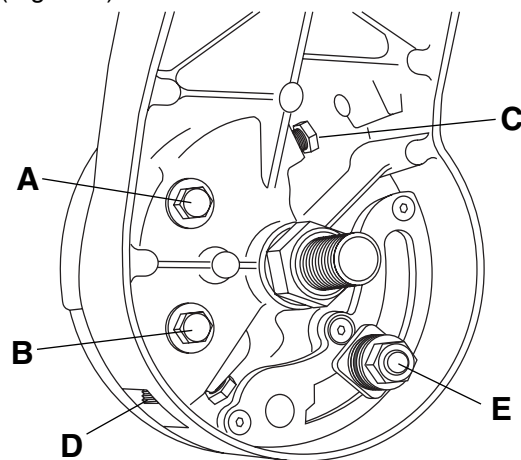


Figure 2. Calibrating Blade at 0 degrees (90° to the table)

5. Place combination square on table and against blade. (See figure 1)
6. While rotating bolt head "C", watch the saw blade tilt until it is aligned with the combination square.
7. Tighten setscrew "D".
8. Tighten 10mm bolt heads "A" & "B"
9. Check and adjust bevel pointers to 0 degrees on each side of bevel scale.
10. Push down bevel lock lever until you feel the lever snap into the locked position.

Adjustments (continued)

⚠ WARNING Disconnect plug from power source before performing any assembly, adjustment or repair to avoid possible injury.

Checking Right 45° Bevel Stop

1. Lower head assembly and engage head assembly lock pin.
2. Slide head assembly completely to the back and tighten the rail lock knob.
3. Rotate table to the 0° miter position.
4. Pull up bevel lock lever to unlock bevel.
5. Move bevel range selector knob to "0°-45° Right" position. (See page 28)
6. Tilt the saw to the right until you feel the stop in the 45° right position. This is where the saw is currently set for the 45° right bevel cut.
7. Use a combination square to check blade at the 45° stop. Place the combination square head on the table and press its 45° surface against the blade. If the blade does not contact the full length of the square, (figure 1), follow the calibrating procedure.

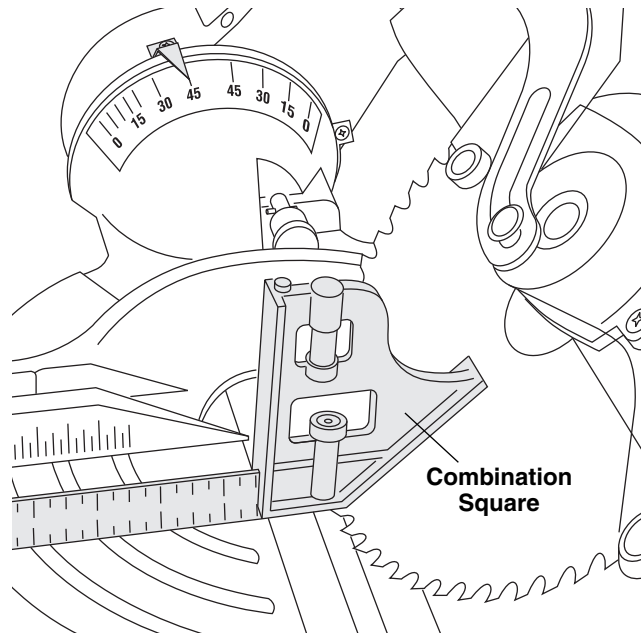


Figure 1. Right 45° Bevel Stop

Calibrating Right 45° Bevel Stop

1. Lift bevel lock lever to release bevel lock.
2. Tilt saw to 45° right bevel position.
3. Position combination square with 45° surface against blade. (Figure 1)
4. Insert 3 mm "L" wrench into hole in vertical support frame. (Figure 2)
5. Rotate "L" wrench while viewing blade against combination square until it matches 45° surface.
6. Adjust bevel pointer to 45° line on bevel scale.

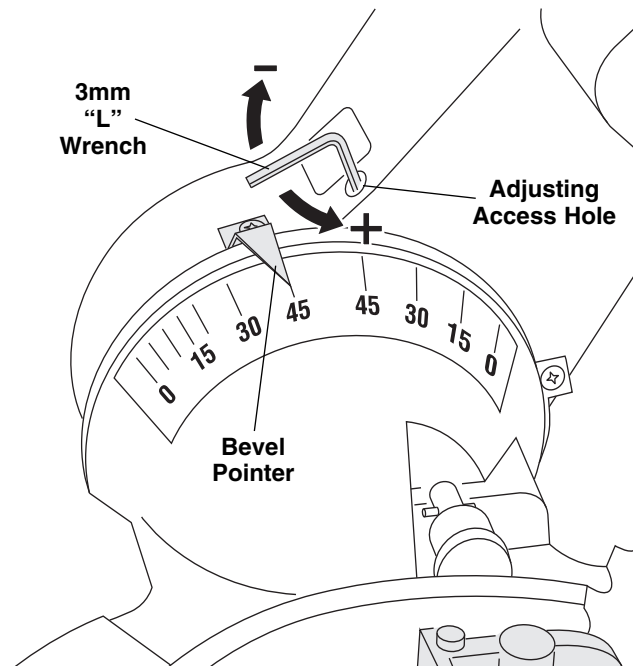


Figure 2. Right 45° Bevel Adjustment

Checking Left 45° Bevel Stop

1. Lower head assembly and engage head assembly lock pin.
2. Slide head assembly completely to the back and tighten the rail lock knob.
3. Rotate table to the 0° miter position.
4. Pull up bevel lock lever to unlock bevel.
5. Move bevel range selector knob to 45°-0° position. (See page 28)
6. Tilt the saw assembly to the left, then rotate saw assembly to the right until you feel the stop in the 45° left position. This is where the saw is currently set for the 45° left bevel cut.
7. Use the head (remove ruler) of a combination square to check blade at the 45° stop. Place the combination square head on the table and press its 45° surface against the blade. If the blade does not contact the full length of the square, (figure 1), follow the calibrating procedure.

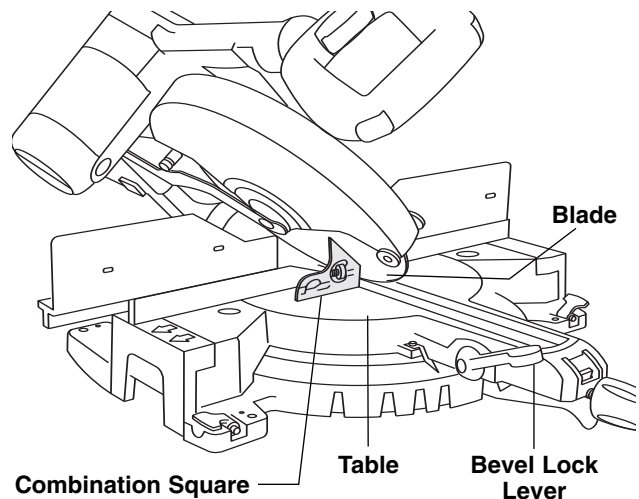


Figure 1. Left 45° Bevel Stop

Calibrating Left 45° Bevel Stop

1. Remove rear cover to expose bolts.
2. Lift bevel lock lever to release bevel lock.
3. Tilt saw to 45° left bevel position.
4. Remove the ruler from the combination square and position with 45° surface against blade. (Figure 1)
5. Place 10mm open-end wrench on bolt head "F". While rotating bolt "F", watch blade tilt movement until it is aligned with the 45° surface on combination square. (Figure 2)
6. Adjust bevel pointer to 45° line on bevel scale.

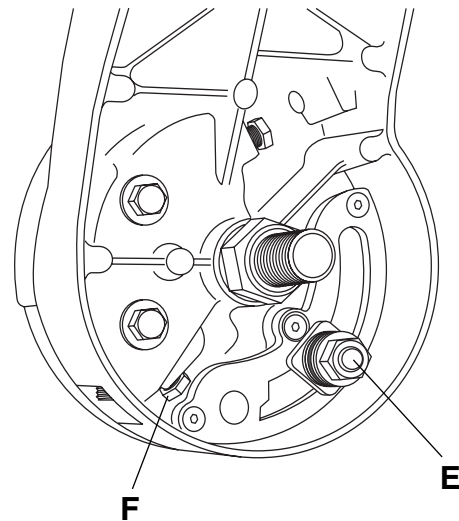


Figure 2. Left 45° Bevel Adjustment

Adjusting Bevel Lock Lever Tension

1. Lift bevel lock lever to release bevel lock.
2. Place 17mm open-end flat wrench on bolt head "E" (Figure 2).
3. Turn nut "E" clockwise 1/8 turn to tighten bevel lock tension or turn counter-clockwise to 1/8 turn to loosen bevel lock tension.

4. Push down bevel lock lever until you feel the lever snap into the locked position.
5. Verify that bevel lock tension holds the bevel position secure and also allows bevel lock lever to lock down to the point that a solid stop is felt.
6. If necessary, repeat steps 1–5 to adjust the tension.

Adjustments (continued)

⚠ WARNING Disconnect plug from power source before performing any assembly, adjustment or repair to avoid possible injury.

Blade Square to Fence

1. Slide saw forward so blade is near the center of the table and tighten slide rail lock knob.
2. Lower head assembly and engage head assembly lock pin.
3. Set table at the 0° miter position and tighten miter lock knob.
4. Place combination square against fence with ruler of square parallel to blade. Ruler should contact blade, but not blade teeth. If blade is not square against ruler, follow the fence alignment procedure. (Figure 1)
5. Loosen rail lock knob and slide head assembly back to check squareness of complete slide cut against the square's ruler.

Fence Alignment

- a. Remove both fences by loosening fence knob, slide fence to full in position, and pull up on fence.
- b. The head assembly should remain in lowered position.
- c. Loosen the four (4) hex bolts behind fence using multi purpose wrench (Figure 2).
- d. Adjust fence until blade and fence have full contact with the square.
- e. Tighten the four (4) hex bolts.
- f. Re-attach sliding fence.

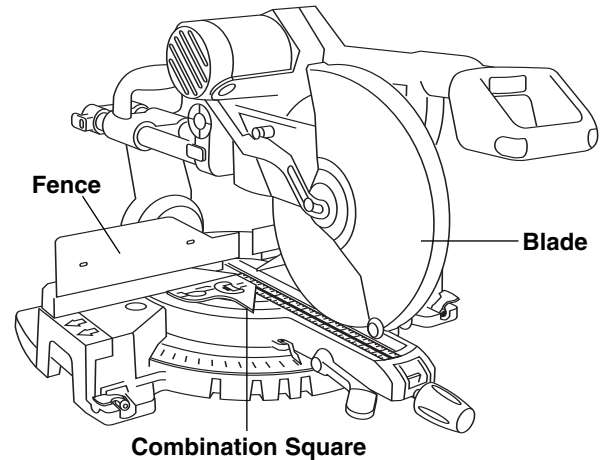


Figure 1. Blade Square to Fence

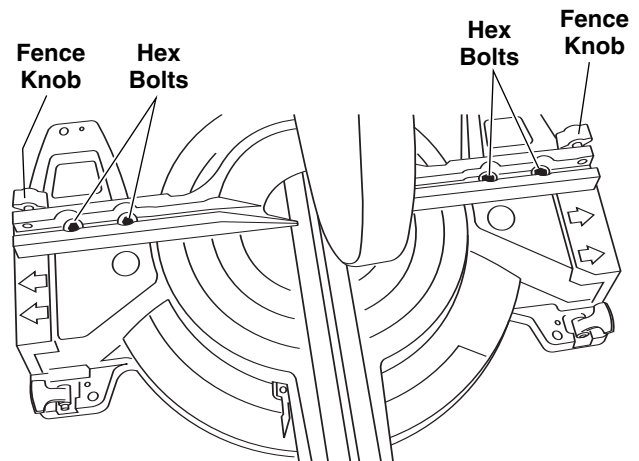


Figure 2. Fence Adjustment

Miter Scale Indicator Adjustment

1. Set table at the 0° miter position and tighten miter lock knob.
2. Raise the head assembly to the full-up position.
3. Loosen the Phillips screw that holds the indicator in place.
4. Position the indicator to align with the 0° miter mark and tighten the screw.

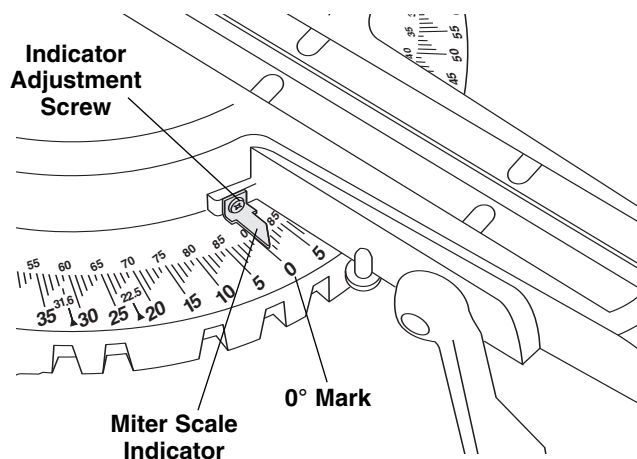


Figure: Miter Scale Adjustment

Kerf Insert

The kerf insert should be adjusted close to the blade, but without touching the blade, in order to avoid tear-out on the bottom of the workpiece.

1. Lower the head assembly and lock into position.
2. Loosen the six (6) kerf screws using the multi purpose tool.
3. Adjust the kerf inserts as close to the blade (teeth) as possible without touching the blade.
4. Tighten the kerf screws.

NOTE: At extreme bevel angles the saw blade may slightly cut into kerf insert.

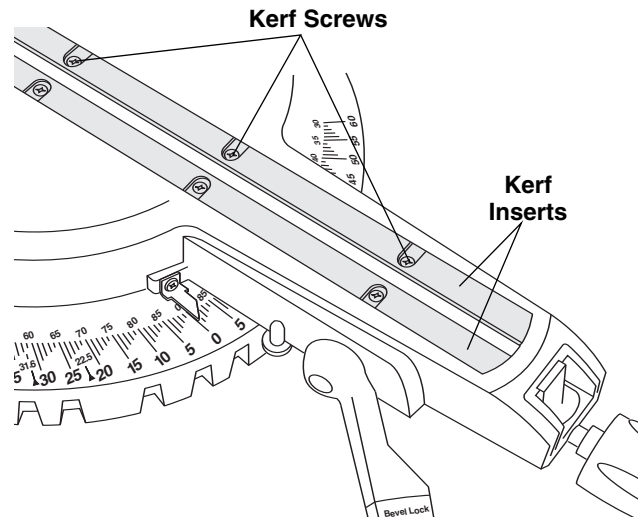


Figure: Kerf Insert

Depth Adjustment

- When the diameter of the blade has been reduced due to sharpening, it may be necessary to adjust the depth stop. When a new blade is installed, it is necessary to check the clearance of the blade to the turn table structure.

Setting Blade Depth for Normal Full Cuts

- The depth stop adjustment is a feature used when cutting grooves in the workpiece. (See page 28 for cutting grooves.)
1. Loosen and turn both of the lower Jam Nuts to just above the threaded end of the Depth Stop Bolt.
 2. Press Depth Stop Release Button and pull up Depth Stop Bolt until nuts hit the bottom of its support frame.
 3. Set the table to the 0° miter position. Push down and slide back saw head to the full back position.
 4. While looking at both the blade and the corner where the fence meets the table, turn the Depth Stop Bolt to set the blade depth to about 1/4 inch below the table's surface.
 5. Release the saw head to the up position.
 6. Turn both lower Jam Nuts to be tight against the bottom of the support frame. Tighten nuts against each other.
 7. Practice slide cutting (with tool unplugged) to verify that the blade does not touch table. If it clears the table, make a practice cut (with tool plugged) on scrap wood to verify that the cut goes completely through the lower front edge of the workpiece

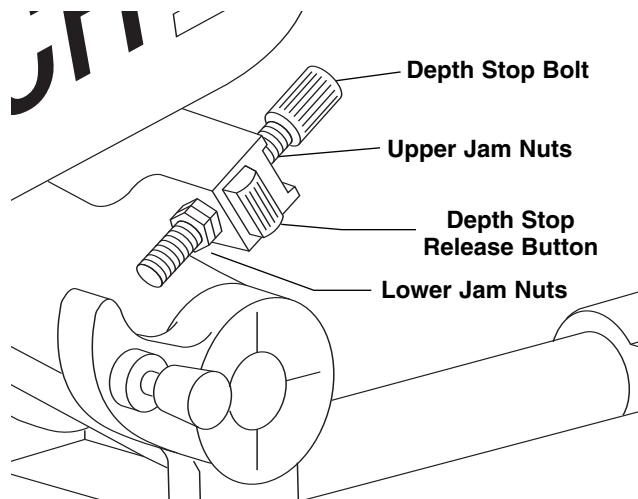


Figure: Depth Adjustment

CAUTION Do not start the miter saw without checking for interference between the blade and the turn table structure. The blade could be ruined if it cuts into the table structure.

Setting Blade Depth for Cutting Grooves

The depth stop can be easily adjusted to limit the cutting depth, such as when creating a rough slot.

(See page 30 for instructions)

Adjustments (continued)

⚠ WARNING Disconnect plug from power source before performing any assembly, adjustment or repair to avoid possible injury.

Slide Action Adjustment

1. Locate the 4 Set Screws (A, B, C, & D) on the Rail Guide Housing. (Figure 1)
2. Loosen the Nut on Set Screw (A) with an adjustable wrench.
3. Tighten or loosen Set Screw (A) with the 4mm end of the bit on the multi-purpose tool until you achieve minimal slide play while maintaining the desired sliding force.
4. After adjusting Set Screw (A), hold Set Screw (A) with a 4mm allen key and tighten the nut with an adjustable wrench without moving the Set Screw. (Figure 2)
5. Complete steps 2-4 with the remaining set screws in order as shown in figure 1.

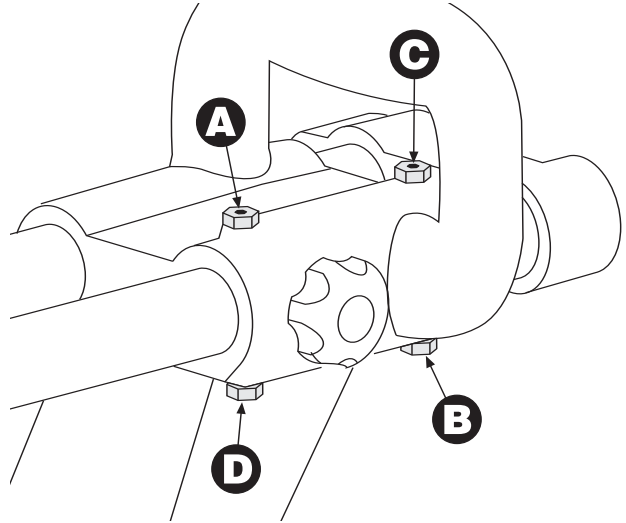


Figure 1. Set Screws

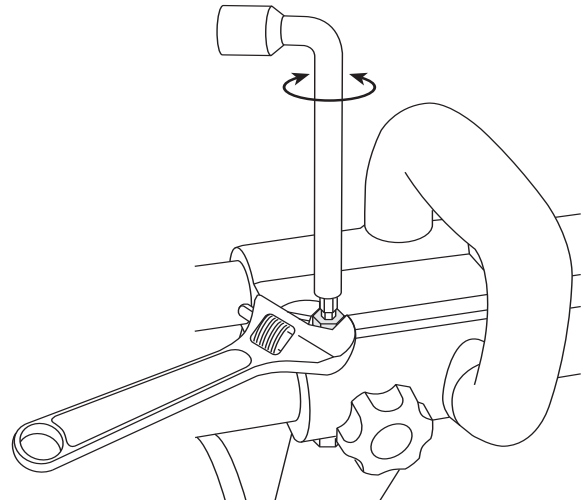


Figure 2. Adjust and Tighten Set Screw

Transporting, Placement & Mounting

⚠ WARNING To avoid injury always observe the following:

- Unplug electric cord. Before transporting the saw, rotate head and lock assembly to 60° right miter, lock into detent, slide head assembly to the middle of it's rail, tighten the slide rail lock knob and lock the head assembly in the lowered position.

Lifting Saw

- To avoid back injury, hold the tool close to your body when lifting. Bend your knees so you can lift with your legs, not your back.
- Lift by using the cast-in carry handles at each side of the bottom of the base.
- Alternate lifting method: When picking tool up from ground, use rear carrying handle and front carrying handle (above guard).
- **Never carry the tool by the slide rails, this may cause blade damage.**

- **Never lift tool by holding main switch handle. This may cause serious damage.**
- Never carry the miter saw by the power cord or the operational handle. Attempting to lift or carry the tool by the power cord will damage the insulation and the wire connections resulting in electric shock or fire.
- Observe the position of the saw. People standing behind it could be injured by thrown debris.
- Place the saw on a firm, level surface where there is plenty of room for handling and properly supporting the workpiece.
- Bolt, nail or clamp the saw to its support.

⚠ CAUTION Be careful not to over-drive nail or over-torque the bolt. This could crack foot or damage base.

Mounting Applications

Mounting to Workbench

Mount the saw using either the four bolt holes (5/16") or the four nail holes to the workbench. Check for clearance to the left and right of the saw.

1. Each of the four mounting holes should be bolted securely using 5/16" bolts, lock washers, and hex nuts (not included).
2. Locate and mark where the saw is to be mounted.
3. Drill four (4) 5/16" diameter holes through workbench.
4. Place the miter saw on the workbench aligning holes in base with holes drilled in workbench. Install bolts, lock washers and hex nuts. As an alternative, you can mount the saw using drywall screws in the four nail holes.

Supporting surface where saw is to be mounted should be examined carefully after mounting to ensure that no movement can occur during use. If any tipping or walking is noted, secure the workbench or stand before operating the slide compound miter saw.

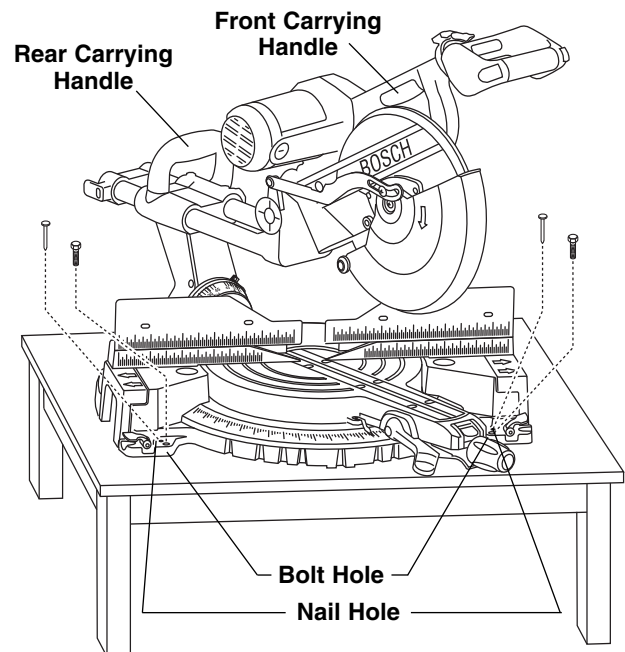


Figure: Workbench Mounting

Transporting, Placement & Mounting

Mounting Applications

Portable Mounting Using Clamps

If necessary, clamp the miter saw to a workbench or table top by placing two (2) or more "C" clamps on the clamping areas and secure.

NOTE: Be careful not to place clamps over the base extension clamping levers.

Mounting with clamps will prevent access to some wide miter angles.

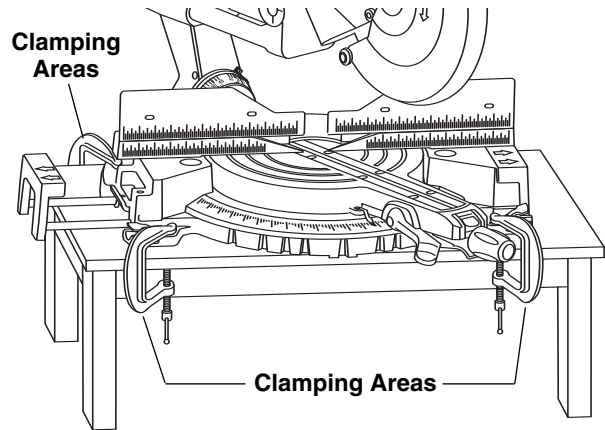


Figure: Portable Mounting Using Clamps

Adjusting the Four Position Switch Handle

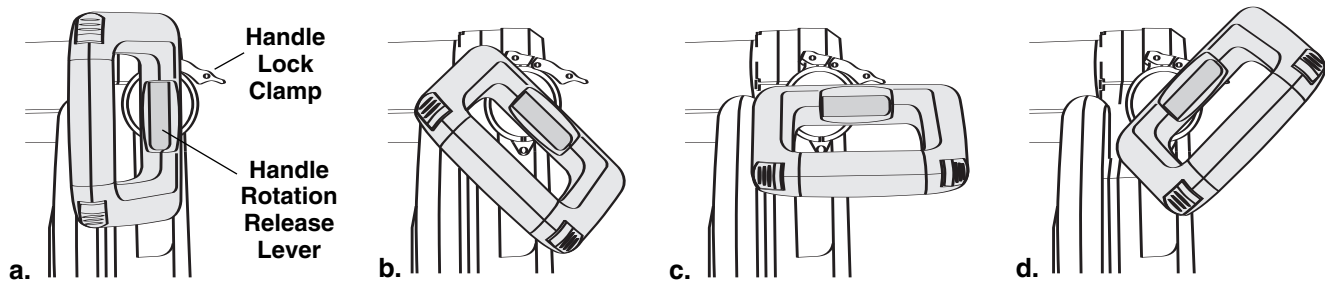


Figure: Setting Main Handle Position

Setting Main Handle in Desired Position

The switch handle can be positioned in any of four different orientations, depending on the cutting situation and user preference:

- a. Vertical b. 45° Left c. Horizontal d. 45° Right

To reposition the main handle:

1. Release handle lock clamp.
2. Pull and hold handle rotation release lever
3. Rotate handle to desired location.
4. Let go over release lever to set handle into place. Release lever will retract down only in one of the four (4) positions

Note: Power switch can not be actuated unless release lever is retracted down. Do not attempt to switch tool on between handle position, damage may occur.

5. Lock the handle clamp.

Adjusting the Four-Position Handle Lock Clamp Tension

1. Open handle lock clamp.
2. Using 1.5 mm Allen wrench, increase tension by turning both setscrews 1/4 turn to the left, tighten by turning to the right. Always adjust both setscrews by the same amount.
3. Close handle lock clamp.
4. Check the tension.

Basic Saw Operations

Body and Hand Position

⚠ WARNING Position your body and hands properly to make cutting easier and safer. Observe the following instructions (Figure 1).

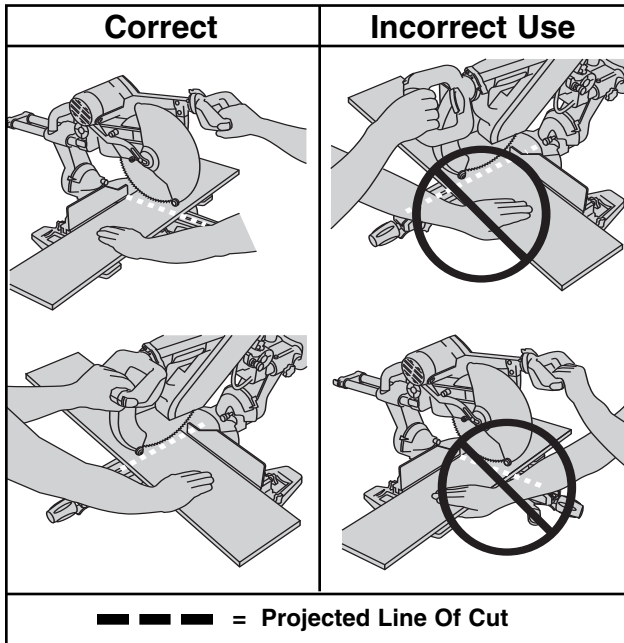


Figure 1. Hand Positions

- Never place hands near cutting area. Keep hands and arms outside the “No Hands” zone.
- The “No Hands Zone” is defined as the entire Table plus the fixed portion of the Base on the right and left side of the Table and portions of the Fence within this boundary. This zone is labeled by “No Hands” symbols placed on the fixed Base.
- Be aware of the path of the sawblade. Make a dry run with the saw OFF by conducting a simulated cutting cycle, and observe the projected path of the sawblade. Keep hands out of the path of sawblade.

DRY RUN—It is important to know where the blade will intersect with the workpiece during cutting operations. Always perform the simulated cutting sequence with the power tool switched OFF to gain an understanding of the projected path of the sawblade. Mentally note where the path of sawblade will fall and set up your work to keep your hands and arms out of the path of the spinning blade. Adjust your clamps and fences so that the smooth lower guard and cutting action is not interfered with during cutting operation.

- Hold workpiece firmly against table and fence to prevent movement.
- Keep hands in position until trigger has been released and blade has stopped completely.
- Never place hands on slide rails.
- Keep feet firmly on the floor and maintain proper balance.
- Follow the miter arm when mitering left or right. Stand slightly to the side of the saw blade.

⚠ WARNING The lower guard may not automatically open under certain cutting conditions. For example, when trying to cut work-pieces that are near the maximum cutting height capacity. Under these conditions or during the sliding motion of cut, the workpiece can stop the lower guard movement before the downward motion of the arm could pre-open the lower guard.

If this occurs:

- Workpiece must be securely clamped. This frees a hand to raise the guard by the lip just enough to clear the workpiece (Figure 2).
- Start the saw and begin your cut.
- Once you have cleared the position where the lower guard may bind, release the guard and it will continue to operate automatically as you cut.

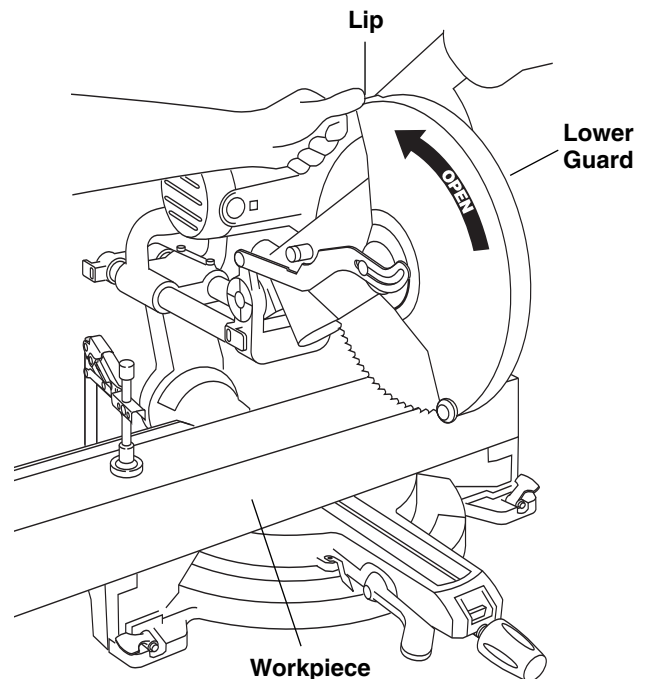


Figure 2. Raising Lower Guard

Basic Saw Operations (continued)

Workpiece Support

⚠ WARNING Long workpieces have a tendency to tip over unless clamped down and fully supported along their entire length.

Clamps

Quick-Action Clamp - This clamp easily secures a workpiece in either of two (2) clamp holes behind the fence (Figure 1).

- Minimum of 1/2" of knurl must engage clamp post to be effective.
- Adjust screw if necessary to clear fence or for large differences in wood heights.
- With clamp in open (lever raised) position, insert clamp into clamp post until rubber foot comes into contact with material.
- Press down on lever to tighten clamp.
- Move the head assembly to check clearance with clamp.
- Pull up on lever to release clamp.

⚠ WARNING There may be extreme compound cuts where clamp cannot be used. Support workpiece with hand outside No Hands Zone. **Do not try to cut short pieces** that cannot be clamped and cause your hand to be in the No Hands Zone.

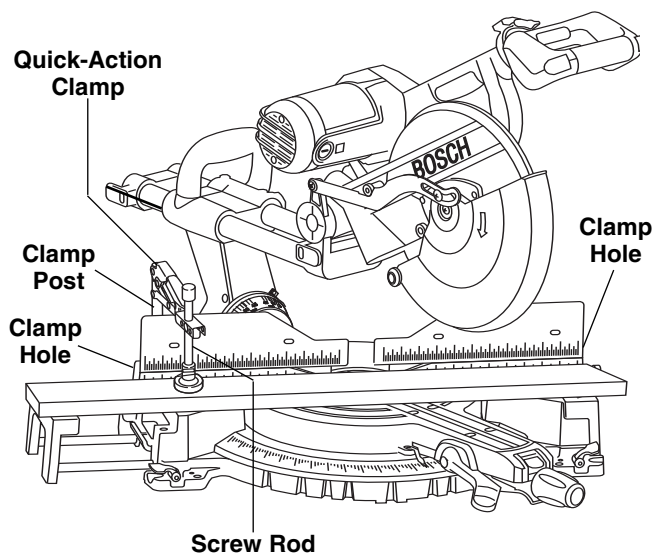


Figure 1. Quick-Action Clamp

Horizontal Clamp – The optional MS1221 Horizontal Clamp can be mounted on either side of the tool and holds the workpiece firmly against the fence.

Conventional Clamps – and other hold down devices can be used to hold the workpiece firmly against the table and the fence.

Long workpiece support

Note: Long pieces need extra support.

Sliding Base Extensions – These extensions provide extra workpiece support and are especially useful when cutting long workpieces. To reposition the extensions, simply unlock the Base Extension Clamping Levers, reposition the extensions, and re-lock the levers (Figure 2). (See also Length Stop on page 30.)

Extra-Long Base Extension Rods – The optional MS1229 Base Extension Kit allow the base extensions to extend out to 50-1/2". Even after these longer rods are installed, the base extensions can be fully retracted for transportation and storage.

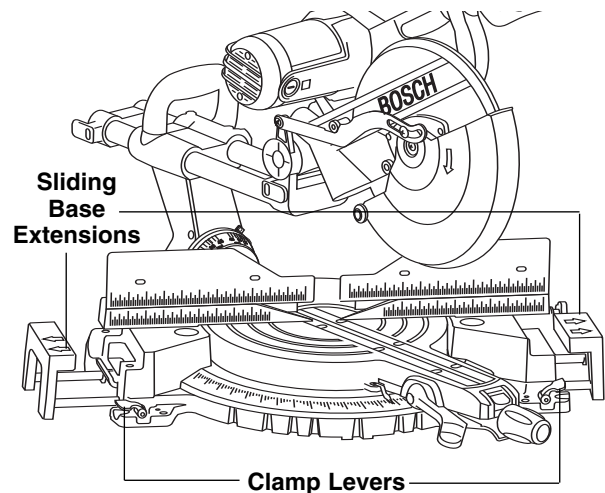


Figure 2. Sliding Base Extensions

Blocks - The base height (3-3/4") is designed to match the standard lumber of two 2x's and one 1x. Boards of these thicknesses can be used to create auxiliary support extensions for long workpieces (Figure 3).

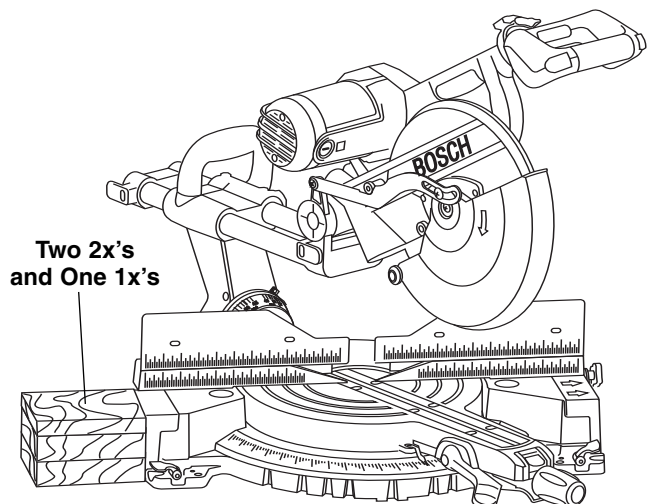


Figure 3. Block Support

Auxiliary Fence

Certain types of molding need a fence face extension because of the size and position of the workpiece. Holes are provided in the fence to attach an auxiliary fence. The auxiliary fence is used with the saw in the 0° bevel position only.

1. Place a piece of wood against the miter saw fence. (Wood can have a maximum height of 4-1/2". Check that auxiliary fence assembly does not interfere with head assembly.)

For splinter-free cuts of molding, attach a one piece wood auxiliary fence and then cut openings with miter saw.

2. Mark the locations of the support holes on the wood from the back side of the fence.
3. Drill and countersink the holes on the front of the support board.
4. Attach (each) auxiliary fence using two (2) 3/16" flat head machine screws. With 3/4" auxiliary fence use 1-1/2" long screws. Secure behind metal fence with washer and machine nuts.

Alternate: With 3/4" auxiliary fence, use 1/4" round head wood screws (3/4" long). Drill four (4) pilot holes (smaller than 1/4") through the auxiliary fence and run screws through rear of metal fence.

5. Make a full depth cut to create the blade slot. Check for interference between the auxiliary fence and the lower blade guard. Make adjustments as necessary.

WARNING Check for interference from any components.

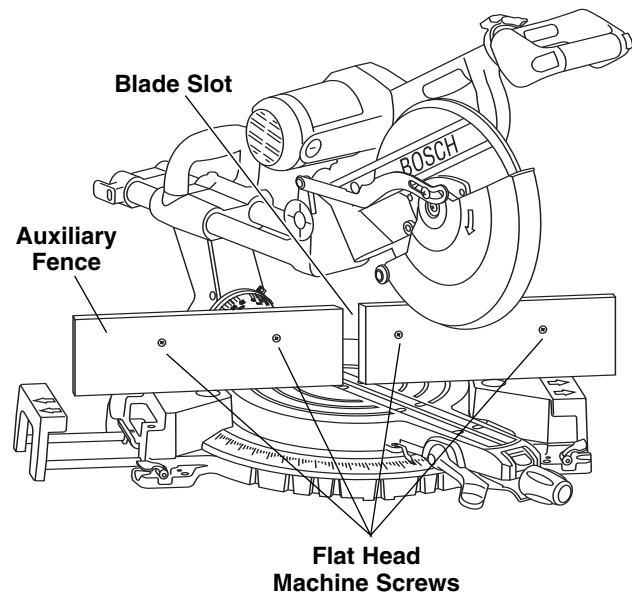


Figure: Auxiliary Fence

Switch Activation

For safety, the switch lever is designed to prevent accidental starts. To operate safety switch, press the switch "Lock-OFF" button with either thumb to disengage the lock, then pull the power switch lever and release the switch "Lock-OFF" release button. When the power switch lever is released, the switch "Lock-OFF" button will engage the safety switch automatically, and the lever will no longer operate until either "Lock-OFF" button is pressed again.

NOTE: Switch lever can accommodate a padlock with a long shackle of up to 1/4" in diameter (not supplied) to prevent unauthorized use.

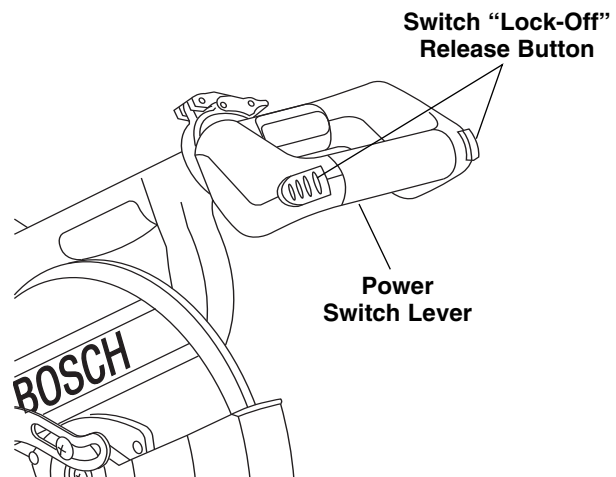


Figure: Switch Activation

Basic Saw Operations (continued)

Miter Detent Override

The miter detent override feature allows the detent action to be locked out, allowing for micro adjustments at any miter angle. When the desired miter angle is close to a standard mitering angle that has a detent slot, this feature prevents the wedge on the miter arm from slipping into the detent slot on the base.

To Engage:

1. Lift and hold the miter detent lever.
2. Push the detent override clip forward and latch in place over edge. Release miter detent lever.
3. Move miter arm to any position on the miter scale.
4. Lock the miter lock knob to retain miter position.

To Disengage:

Loosen miter lock knob and lift the miter detent lever to release the detent override clip. The clip should automatically disengage.

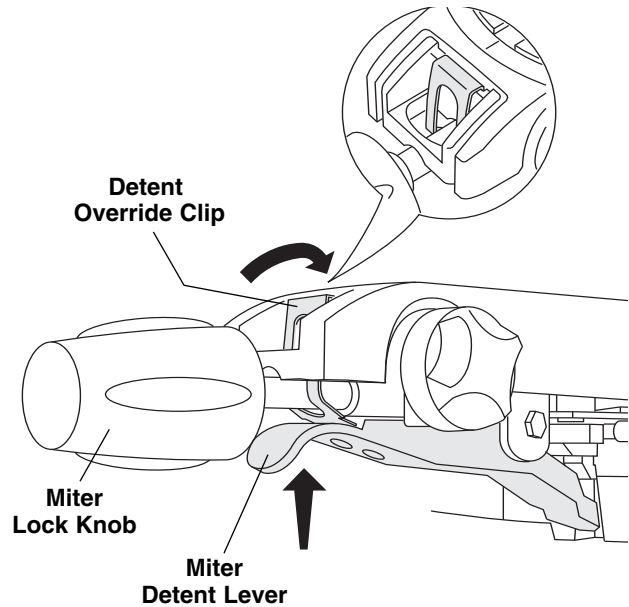


Figure: Detent Override

Microfine Miter Adjustment System

This feature allows you to move the turntable by very small increments up to 2 degrees to the left or right of the detent angles (except 60° detent) to reach to the desired miter angle.

1. Move the table to the detented angle that is to be adjusted (Figure 1).
2. The miter detent lever's red override feature **MUST** be engaged, as described above.
3. Push the Microfine Adjustment knob forward to 'ENGAGED' position. This engages the system into the detent slot (Figure 2).

Note: You may have to rotate the table slightly to engage the system.

4. Turn knob until pointer comes to desired angle.
 - Rotating the knob forward causes the table to rotate to the left.
 - Rotating the knob backward causes the table to rotate to the right.
5. Use miter lock knob to lock table in place before cutting.
6. To release table from Microfine Adjustment System, simply pull knob away from table until it snaps into 'OFF' position.

NOTE: Microfine must be returned to the 'OFF' position in order to use the standard detent system.

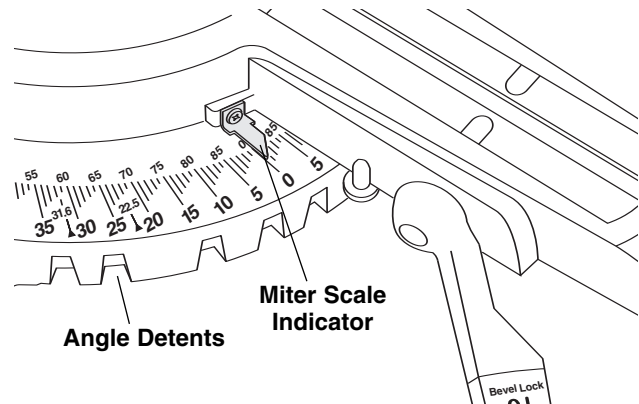


Figure 1. Miter Scale Indicator

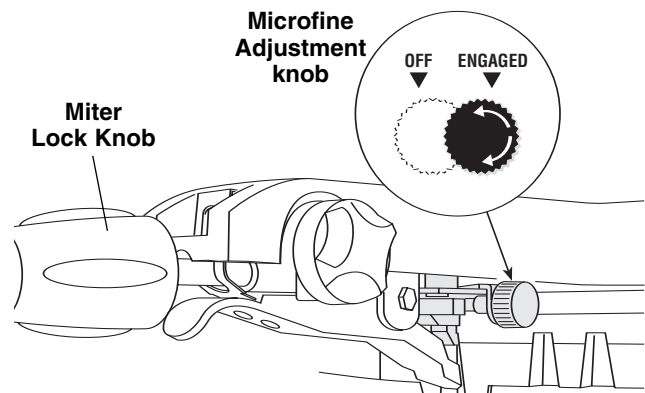


Figure 2. Microfine Adjustment System

Sliding Fences and Base Extensions

⚠ WARNING So as to provide sufficient (minimum 6") spacing from hand to saw blade, extend the sliding fences and base extensions when making extreme bevel, miter or compound cuts. The base extensions can also be used to provide extra support for long workpieces.

Sliding Base:

1. Loosen the base extension clamping levers.
2. Extend sliding base extensions to the desired position.
3. Press the levers down to clamp the extensions into place.

Base Extensions:

- If desired, the height of the top of the base extensions can be adjusted slightly by increasing the distance between the extension and the main part of the base.
- If the clamping force of the Base Extension Clamping Levers needs to be adjusted, simply pull the red tab outward and rotate it toward the center of the saw. Let the red tab spring back into a new groove. When the red tabs are rotated down to clamp the rods, they will grip the rods with greater strength.

Sliding Fence:

1. Loosen the fence locking knobs (behind fence).
2. Slide fence to proper position.
3. Tighten knobs to lock fence into place.

To Temporarily Remove Sliding Fence:

Some extreme compound angles make it necessary to remove one of the sliding fences.

1. Unscrew fence knob until at least 1/2" of thread shows.
2. Slide fence to its furthest inward position.
3. Lift fence to remove.
4. Tighten knob

After the cut is complete, reinstall the sliding fence.

To reinstall the sliding fence, reverse this procedure.

⚠ CAUTION During transportation, sliding base extensions and fences should always be secured in the fully closed position.

See page 22 for information about other types of workpiece support.

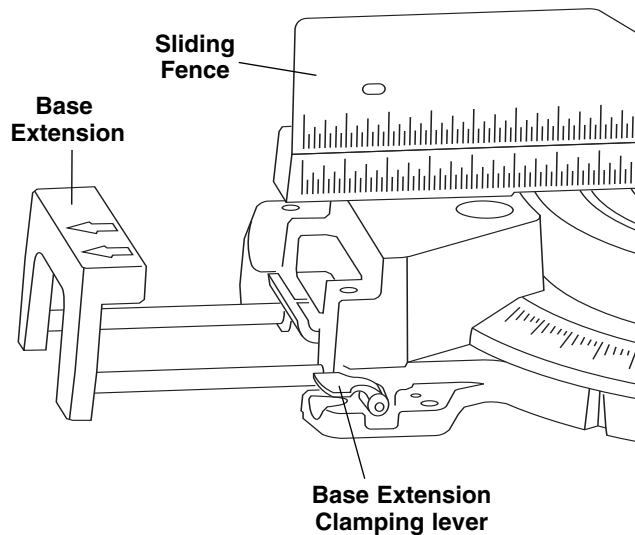


Figure: Sliding Fences and Base Extensions

Saw Operations

Chop Cut

- The slide rail lock knob is tightened and the head assembly is lowered to cut through the workpiece.
- This type of cut is used mainly for narrow pieces.

Follow these instructions for making your chop cut:

1. Slide the head assembly to the rear as far as it will go.
2. Tighten the slide rail lock knob.
3. Properly position workpiece. Make sure workpiece is clamped firmly against the table and the fence.

⚠ WARNING Use clamping position that does not interfere with operation. Before switching on, lower head assembly to make sure clamp clears guard and head assembly.

4. Activate the switch. Lower the head assembly and make your cut.
5. Wait until blade comes to a complete stop before returning head assembly to the raised position and/or removing workpiece.

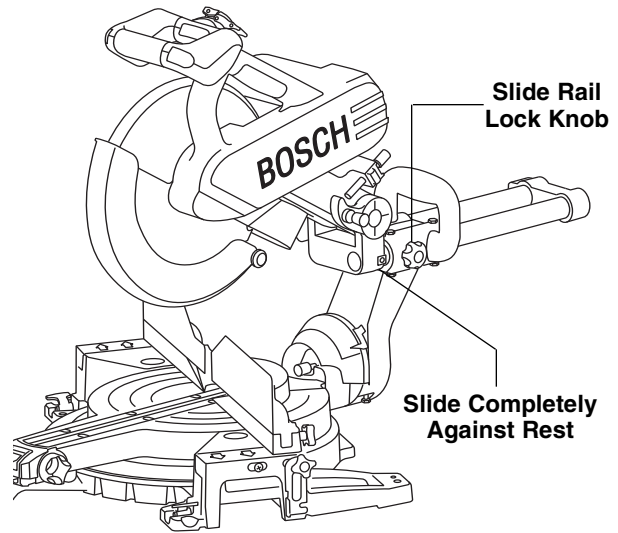


Figure: Chop Cut

Slide Cut

- The slide rail lock knob is loose, the head assembly is pulled towards the operator, the head assembly is lowered to the workpiece and then pushed to the rear of the saw to make the cut.
- This type of cut is used mainly for wide pieces.
- A positive blade hook of 10 degrees or more is recommended for best performance when making aggressive cuts or cutting thicker materials.

⚠ WARNING NEVER pull the saw toward you during a cut. The blade can suddenly climb up on top of the workpiece and force itself toward you.

Follow these instructions for making your slide cut:

1. Properly position workpiece. Make sure workpiece is clamped firmly against the table and the fence.

⚠ WARNING Use clamping position that does not interfere with operation. Before switching on, lower head assembly to make sure clamp clears guard and head assembly.

2. Loosen the slide rail lock knob.
3. Grasp the switch handle and pull the head assembly away from the fence, until the blade clears the workpiece or to its maximum extension if blade cannot clear the workpiece.
4. Activate the switch. Lower the assembly all the way down and cut through the edge of the workpiece.

5. Push (but do not force) the head assembly towards the fence to the full rear position to complete the cut.
6. Wait until blade comes to a complete stop before returning head assembly to the raised position and/or removing workpiece.

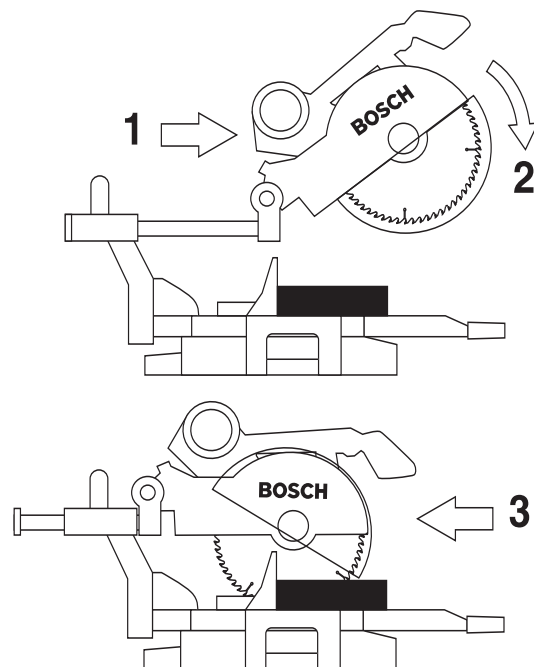


Figure: Slide Cut

Miter Cut

- A “miter cut” is a cross-cut made with the blade vertical (non-tilted) at a horizontal angle relative to the fence.
- A miter cut is made at 0° bevel and any miter angle in the range from 52° left to 60° right.
- The miter scale shows the angle of the blade relative to the fence angle is cast-in on the table for easy reading.
- Positive detents have been provided for fast and accurate mitring at 0°, 15°, 22.5°, 31.6° and 45° left and right and 60° right.
- The crown molding detents (left and right) are at 31.6° (See Cutting Crown Molding for more information page 31).
- For precision settings at angles next to the detents, use the detent override to lock out the detent. This prevents the wedge on the detent lever from slipping back into the detent.
- A miter cut can be made as either a chop cut or a slide cut, depending on the width of the workpiece.
- The kerf inserts should be as close to the blade as possible without touching the blade (see Kerf Inserts for adjustment procedures).

Follow these instructions for making your miter cut:

1. Loosen miter lock knob. Lift miter detent lever and move the saw to the desired angle, using either the detents or the miter scale. Tighten miter lock knob.
2. Extend the base extensions and fence on the side on which the cut will be made. (See Sliding Fences and Base Extensions on page 25).
3. Properly position workpiece. Make sure workpiece is clamped firmly against the table or the fence.

⚠ WARNING Use clamping position that does not interfere with operation. Before switching on, lower head assembly to make sure clamp clears guard and head assembly.

4. Follow procedures for either chop cut or slide cut (see page 26).
5. Wait until blade comes to a complete stop before returning head assembly to the raised position and/or removing workpiece.

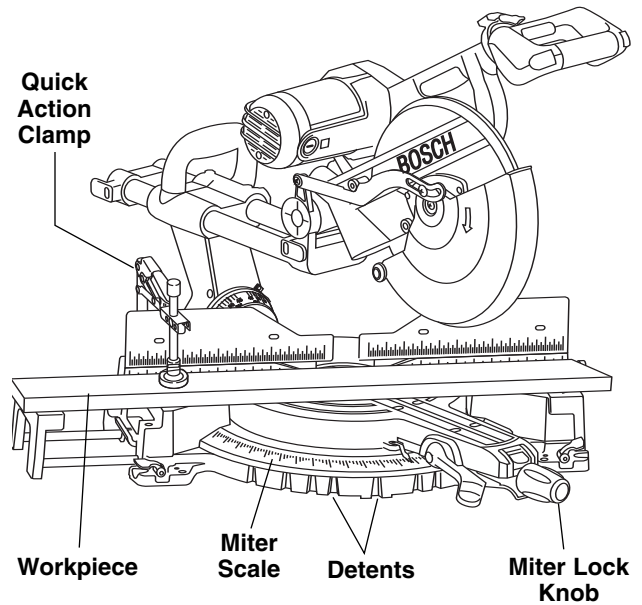


Figure: Miter Cut

Saw Operations (continued)

Bevel Cut

- A “bevel cut” is a cross-cut made with the blade perpendicular to the fence but tilted away from the vertical position.
- A bevel cut is made at 0° miter and any bevel angle in the range up to 47°.
- There are factory set bevel stops at 0° and 45° on both the left and right. (See Adjustment section if adjustments are required.)
- The front-positioned bevel range selector knob provides three bevel range choices.
- There are also positive crown molding bevel stops at 33.9° on both the left and right. Disengage this stop unless using the 33.9° angle (See Cutting Crown Molding for details.)
- A bevel cut can be made as either a chop cut or a slide cut depending on the width of the workpiece.
- The front-positioned bevel lock lever locks the head assembly at the desired bevel angle.

Bevel Range Selection

Choose the desired bevel range using the bevel range selector knob (Figure 1).

45°-0 Left

To operate in Bevel Range - 45° Left to 0°
(This left bevel range is the default setting)

- a. Extend left sliding fence to clear saw assembly and re-lock (Figure 2).
- b. Lift bevel lock lever to release bevel lock (Fig. 1).
- c. Grasp the front carry handle with right hand and tilt saw head to angle desired (Figure 2).
- d. Push down bevel lock lever until you feel the lever snap into the locked position.

0-45° Right

To operate in Bevel Range 0° to 45° Right:

- a. Extend right sliding fence to clear saw assembly and re-lock (Figure 2).
- b. Lift bevel lock lever to release bevel lock (Fig. 1).
- c. Standing on right side of saw, grasp the front carrying handle with right hand and tilt saw head slightly to the left while rotating the bevel range selector knob with left hand to “0-45° Right” (Figure 2).
- d. Tilt saw head to desired right bevel angle, up to the 45° stop.

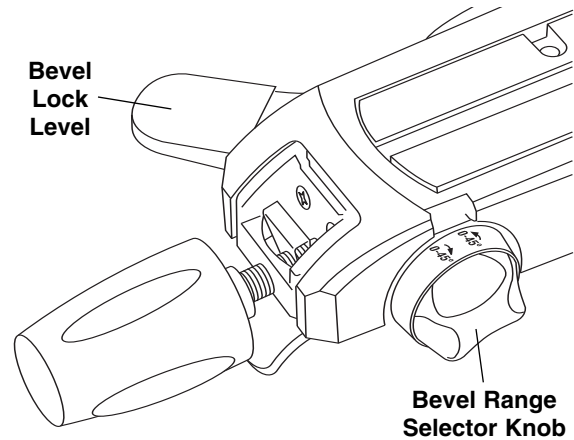


Figure 1.

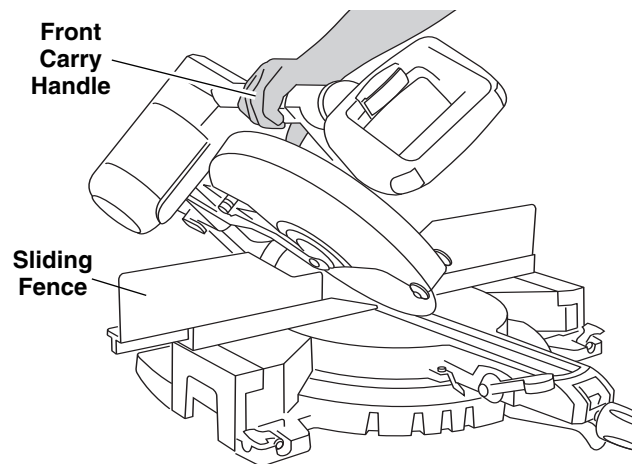


Figure 2.

- e. Push down bevel lock lever until you feel the lever snap into the locked position.

NOTE: When the saw assembly is tilted back left past 0°, the bevel control knob will snap back to the default bevel range 1. This is designed to regain the pre-set bevel stop at the important 0° position.

Max Range

To operate in Bevel Range 47° Left to 46° Right:

This full capacity bevel range setting overrides all preset stops and allows for cutting at bevel angles beyond the normal 45° on either side.

- a. Move left or right sliding fence to clear saw assembly and re-lock (Figure 2).
- b. Lift bevel lock lever to release bevel lock (Fig. 1).
- c. Standing on right side of saw, grasp the front carrying handle with right hand and tilt saw head

slightly to the left while rotating the bevel range selector knob with left hand to “Max Range” (Figure 2).

- d. Tilted saw head to any angle from 47° left to 46° right.
- e. Push down bevel lock lever until you feel the lever snap into the locked position.

Follow these instructions for making your bevel cut:

1. Extend the base extensions on the side on which the cut will be made. (See Sliding Fence and Base Extension on page 25).

2. Properly position workpiece. Make sure work piece is clamped firmly against the table and the fence.

NOTE: Use clamping position that does not interfere with operation.

3. Before turning the saw on, practice the cutting action to make sure the fence clears the guards and adjust as necessary.
4. Follow the procedures for either a chop cut or slide cut (see page 26).
5. Wait until blade comes to a complete stop before returning head assembly to the raised position and/or removing workpiece.

Compound Cuts

- A “compound cut” is a cut made with the blade set to both an angle relative to the fence (miter angle) and an angle relative to the base (bevel angle).
- A compound cut can be made as either a chop cut or a slide cut depending on the width of the workpiece.
- Because it may take several tries to obtain the desired compound angle, perform test cuts on scrap material before making your cut.

Follow these instructions for making your compound cut:

1. Extend the base extensions and fences on the side on which the cut will be made. (See Sliding Fences and Base Extensions on page 25.)
2. Properly position workpiece. Make sure workpiece is clamped firmly against the table or the fence.

⚠ WARNING Use clamping position that does not interfere with operation. Before switching on, lower head assembly to make sure clamp clears guard and head assembly.

3. Set miter and bevel angles according to the instructions on page 28 for miter and bevel cuts.
4. Follow the procedures for either chop cut or slide cut (see page 26).
5. Wait until blade comes to a complete stop before returning head assembly to the raised position and/or removing workpiece.

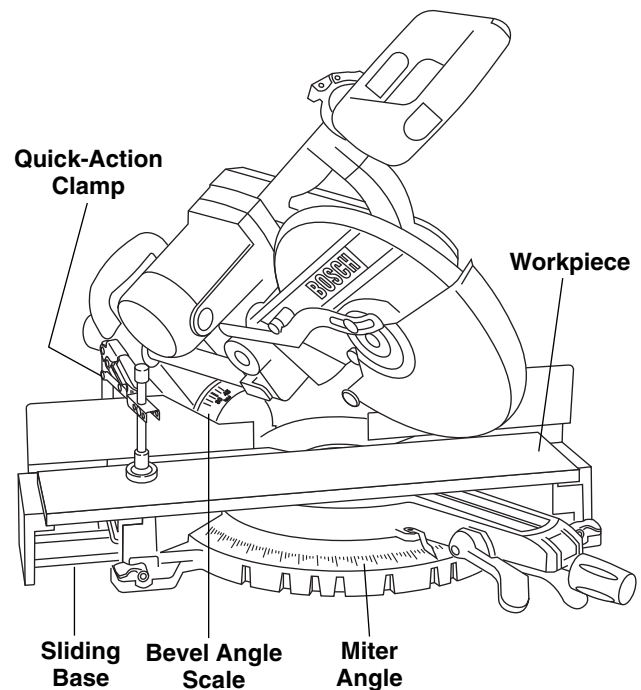


Figure: Compound Cut

Saw Operations (continued)

Cutting Grooves

- The depth stop adjustment is a feature used when cutting grooves in the workpiece.
 - The depth adjustment is used to limit blade depth to cut grooves.
 - A groove should be cut as a slide cut.
1. For major adjustments, press the depth stop release button and slide the depth stop bolt to the desired location (Figure 1).
 2. For minor adjustments, simply rotate the depth stop bolt to the desired location.
 3. The upper jam nuts can be used to set a commonly used groove depth. To adjust, loosen the upper jam nuts, move to desired location, and tighten against each other.
 4. Cut the two outside grooves.
 5. Use a wood chisel or make multiple passes by sliding the wood over to one side to remove the material between the outside grooves (Figure 2).

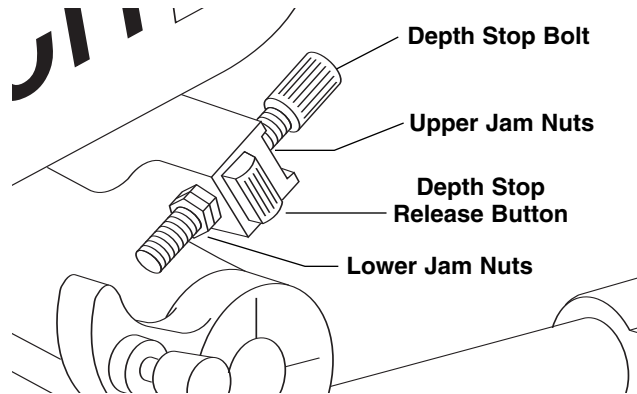


Figure 1. Cutting Grooves

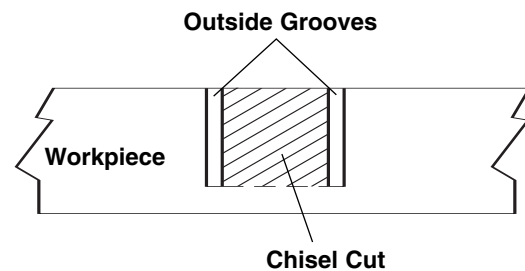


Figure 2. Rough Cut Groove

Length Stop

⚠ WARNING Use only one length stop. Using length stops on both sides of blade, could trap workpiece and could cause workpiece to be thrown.

The unit's flip up length stop can be used when making repetitive cuts of the same length.

To set the stop, simply unscrew the knob, flip the stop into position and tighten the knob.

1. To set the cut length, unlock the base extension clamping lever, reposition the base extension and length stop, and relock the levers.
2. The maximum length that can be cut using the length stop is approximately 18'.

If desired, the length stop and knob can be moved to the left base extension. The optional MS1230 Length Stop Kit can also be installed on the left side to provide stops on either side of the saw.

To increase the length that can be cut using the length stop, replace the tool's base extension rods with the optional MS1229 Extra-Long Base Rod Kit,

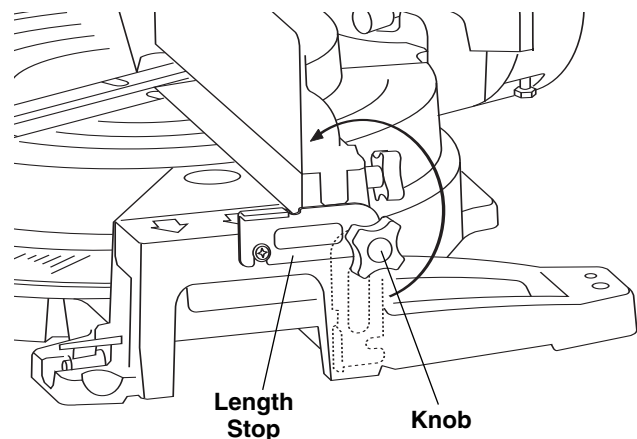


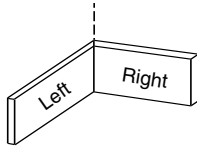
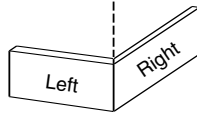
Figure: Length Stop

which increases the maximum length that can be cut using the length stop to approximately 25' on either side of the blade.

Cutting Base Molding

- Base molding can be cut vertical against fence or flat on the table. The maximum size that can be vertical on the fence is 3-5/8", flat on table is 10-1/4".

- Follow the table for helpful hints on cutting base molding for corners that have 90° angles.
- Cutting base molding can be done either as a chop cut or a slide cut depending on the size of the work-piece.

BASE MOLDING CUTTING INSTRUCTIONS					
LOCATION OF MOLDING ON SAW →		Molding in Vertical Position: Back of molding is against the fence		Molding in Horizontal Position: Back of molding is flat on the table	
Molding Piece Being Cut →		To left of corner	To right of corner	To left of corner	To right of corner
Inside corner of wall 	Miter Angle Bevel Angle	Left at 45° 0°	Right at 45° 0°	0° 45° left	0° 45° right
	Position of molding on Saw	Bottom against table	Bottom against table	Top against fence	Top against fence
	Finished side	Keep left side of cut	Keep right side of cut	Keep left side of cut	Keep right side of cut
Outside corner of wall 	Miter Angle Bevel Angle	Right at 45° 0°	Left at 45° 0°	0° 45° right	0° 45° left
	Position of molding on Saw	Bottom against table	Bottom against table	Top against fence	Top against fence
	Finished side	Keep left side of cut	Keep right side of cut	Keep left side of cut	Keep right side of cut

Cutting Crown Molding

- Crown molding must be cuts must be positioned properly to fit exactly.
- There are two ways to cut crown molding: flat on table or angled to table and fence.
- Crown molding's "spring angle" is the angle between the back of the molding and the bottom flat surface that fits against the wall.
- This miter saw has special miter detents at 31.6° and bevel detents at 33.9°. These detents allow you to easily position most crown moldings flat on the table and make precise cuts for 90° corners. (These detents are only for use with crown moldings that have a 38° "spring angle".) NOTE: These detents cannot be used with 45° crown molding.

- See also page 32 for miter and bevel angle charts for cutting crown moldings that have 38° and 45° spring angles (and the material is laid flat on the miter saw base).
- Even though these angles are standards, most rooms do not have angles of exactly 90°, therefore, you will often need to fine tune your settings.

The optional Bosch DWM40L MiterFinder Digital Anglefinder/Protractor measures spring angles and corner angles, then automatically determines the exact miter and bevel settings necessary to make each crown molding cut fit perfectly.

Saw Operations (continued)

Crown Molding Laying Flat on Table

Notes: Position workpiece with its back flat on the saw table.

Always place top edge of molding against fence (Decorative edge is at the bottom of crown molding.)

- "Spring angle" refers to angle between wall and crown molding.
- Cutting crown molding flat on the table can be done either as a chop cut or a slide cut depending on the width of the workpiece.

1. For 90° corner, set the bevel and miter angles using Charts below. Tighten the miter lock knob and the bevel lock lever.
2. Position molding on saw table. Clamp workpiece in place using the quick clamp.

⚠ WARNING Use clamping position that does not interfere with operation. Before switching on, lower head assembly to make sure clamp clears guard and head assembly.

3. Follow procedures for either chop cut or slide cut (see page 26).
4. Wait until blade comes to a complete stop before returning head assembly to the raised position and/or removing workpiece.

NOTE: ALWAYS TAKE A TEST CUT USING SCRAP TO CONFIRM CORRECT ANGLES.

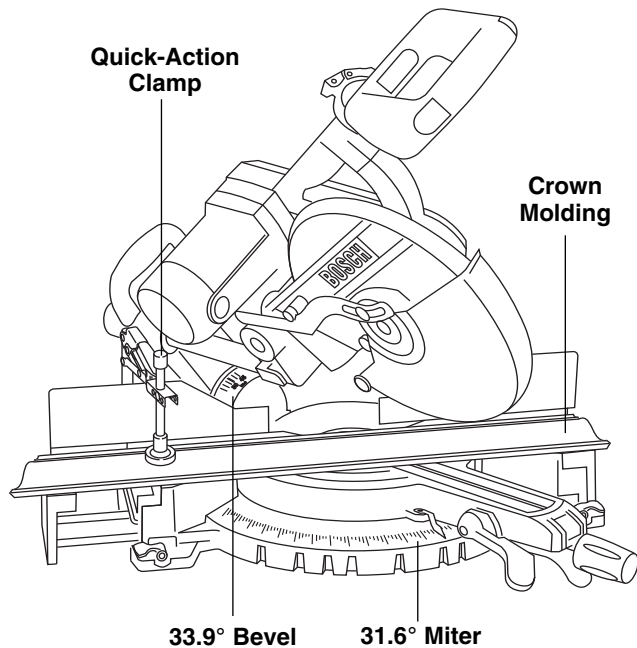


Figure: Crown Molding Laying Flat

Miter and Bevel Settings for Standard Crown Molding Cuts (When Crown Molding is Lying Flat on Table)

Assumptions: Molding is milled consistently. Corner is exactly 90°.

Molding Spring Angle is 38 degrees		
	Miter (Table) Setting	Bevel (Tilt) Setting
Inside Corner		
Left end (A) Use the left end of the cut	(31.6) Right	(33.9) Left
Right end (B) Use the right end of the cut	(31.6) Left	(33.9) Right
Outside Corner		
Left end (C) Use the left end of the cut	(31.6) Left	(33.9) Right
Right end (D) Use the right end of the cut	(31.6) Right	(33.9) Left

Molding Spring Angle is 45 degrees		
	Miter (Table) Setting	Bevel (Tilt) Setting
Inside Corner		
Left end (A) Use the left end of the cut	(35.3) Right	(30.0) Left
Right end (B) Use the right end of the cut	(35.3) Left	(30.0) Right
Outside Corner		
Left end (C) Use the left end of the cut	(35.3) Left	(30.0) Right
Right end (D) Use the right end of the cut	(35.3) Right	(30.0) Left

Crown Molding Angled to Table and Fence

The preferred method for cutting crown molding with this saw is with the molding laying flat on the table.

- The advantage to cutting moldings angled against fence is that no bevel setting is required. Only the miter angle is adjusted.
- The maximum crown molding width that can be cut and angled to table and fence is 4-5/8".
- When cutting crown molding in this fashion it is recommended to purchase and use the optional MS1228 Crown Molding Support Stop Accessory.

Follow these instructions for cutting crown molding angled to table and fence.

1. Position the molding so the bottom (decorative part, which is installed against the wall) is against the fence.
2. For 90° corner, set the miter angle using Chart below. Tighten the miter lock knob.
3. Support crown molding against the fence (see "Body and Hand Position" on page 21).
4. Follow the procedures for chop or slide cut (see page 26).
5. Wait until blade comes to a complete stop before returning head assembly to the raised position and/or removing workpiece.

NOTE: ALWAYS TAKE A TEST CUT USING SCRAP TO CONFIRM CORRECT ANGLES.

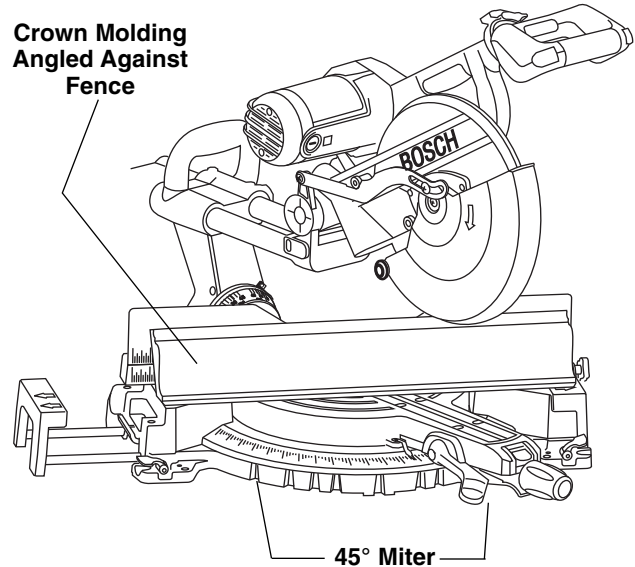


Figure: Crown Molding Angled to Table and Fence

Miter and Bevel Settings for Standard Crown Molding Cuts (When Workpiece Angled Against Fence)

Assumptions: Molding is milled consistently.

- Corner is 90 degrees.
- For other corner angles, divide actual measurement by 2.

For any Crown Molding		
	Miter (Table) Setting	Bevel (Tilt) Setting
Inside Corner		
Left end (A) Use the right end of the cut	(45) Right	0 Left
Right end (B) Use the left end of the cut	(45) Left	0 Right
Outside Corner		
Left end (C) Use the right end of the cut	(45) Left	0 Right
Right end (D) Use the left end of the cut	(45) Right	0 Left

Saw Operations (continued)

Special Cuts

Cutting bowed material and round material are only two examples of special cuts.

Cutting Bowed Material

⚠ WARNING If workpiece is bowed or warped, clamp it with the outside bowed face toward the fence. Always make certain that there is no gap between the workpiece, fence and table along the line of cut. Bent or warped workpieces can twist or rock and may cause binding on the spinning saw blade while cutting (Figure 1).

Cutting Round or Irregularly Shaped Material

⚠ WARNING For round material such as dowel rods or tubing, always use a clamp or a fixture designed to clamp the workpiece firmly against the fence and table. Rods have a tendency to roll while being cut, causing the blade to “bite” and pull the work with your hand into the blade (Figure 2).

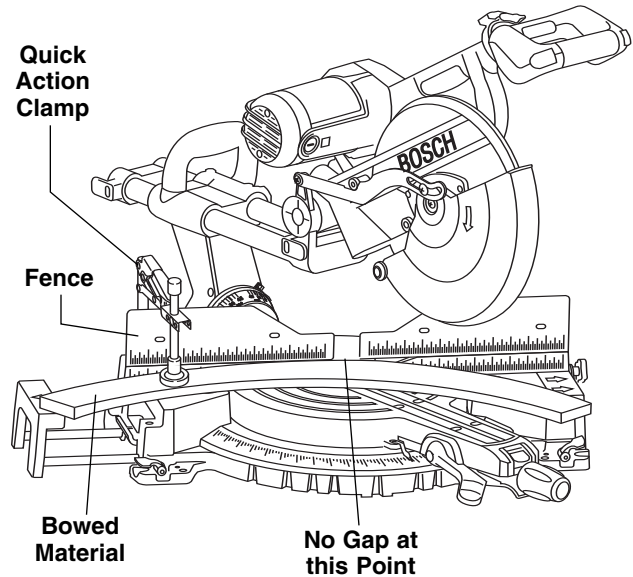


Figure 1. Bowed Material

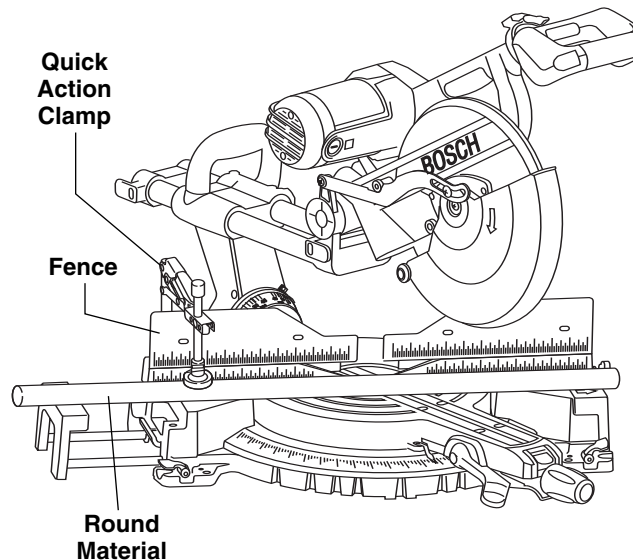


Figure 2. Round Material

Maintenance & Lubrication

Service

⚠️ WARNING Preventive maintenance performed by unauthorized personnel may result in misplacing of internal wires and components which could cause serious hazard. We recommend that all tool service be performed by a Bosch Factory Service Center or Authorized Bosch Service Station.

Carbon Brushes

The brushes and commutator in your tool have been engineered for many hours of dependable service. To maintain peak efficiency of the motor, we recommend every two to six months the brushes be examined. Only genuine Bosch replacement brushes specially designed for your tool should be used.

Motor Brush Replacement

To Inspect or Replace Brushes:

1. Unplug the saw.

⚠️ WARNING The brush cap is spring loaded by the brush assembly.

2. Remove the brush cap on the motor using a wide flat blade screwdriver.
3. Pull out the brush (Figure 1). Repeat for the opposite side.

NOTE: If installing the existing brush or brushes, make sure the brush goes in the same way it came out. Otherwise a break-in period will occur that will reduce motor performance and increase brush wear.

4. Inspect brushes for wear. On the wide flat side of brush is a wear limit line. If the brush contact face is at or beyond (no line visible) the limit replace brushes as a set.
5. Install new brush. The two (2) tabs on the brush terminal go in the same hole the carbon part fits into.
6. Tighten the brush cap but do not overtighten.

Drive Belt

The drive belt is a normal maintenance part and should be inspected periodically for wear. If the drive belt shows signs of drying out, cracking or tearing, it should be replaced. If the drive belt will not track properly or comes off the pulleys, it should be replaced.

1. Installing new drive belt:
2. Loosen the two screws and remove the drive belt cover.
3. Cut and remove the worn drive belt (Figure 2). Before installing the new drive belt, clean both pulleys thoroughly.

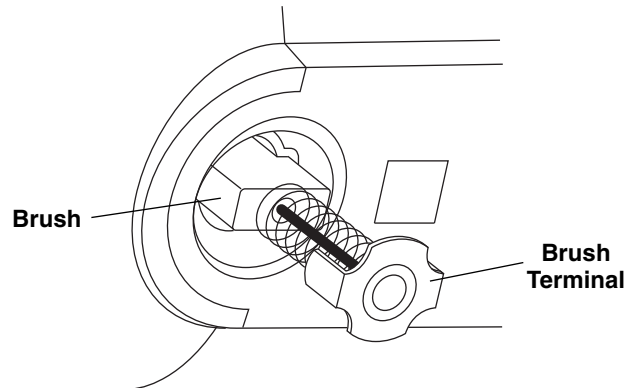


Figure 1. Motor Brush

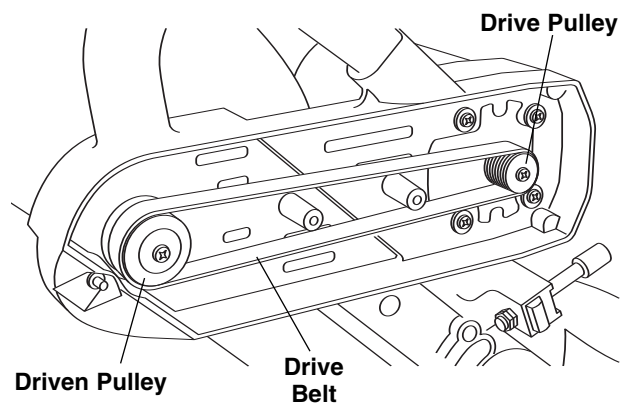


Figure 2. Belt Changes

4. First place the new drive belt onto the drive pulley, then rotate clockwise while pushing the belt onto the driven pulley.
5. Reinstall the drive belt cover and securely tighten screws.

Cleaning

⚠️ WARNING To avoid accidents, always disconnect the tool from the power supply before cleaning or performing any maintenance. The tool may be cleaned most effectively with compressed air. Always wear safety goggles when cleaning tools with compressed air.

Ventilation openings and switch levers must be kept clean and free of foreign matter. Do not attempt to clean by inserting pointed objects through openings.

Check regularly to make sure the lower guard and all moving parts are working properly.

Remove accumulated sawdust from working parts by blowing with compressed air or wiping with a damp cloth.

⚠️ WARNING Certain cleaning agents and solvents damage plastic parts. Some

of these are: gasoline, carbon tetrachloride, chlorinated cleaning solvents, ammonia and household detergents that contain ammonia.

Care of Blades

Blades become dull even from cutting regular lumber. If you find yourself forcing the saw forward to cut instead of just guiding it through the cut, chances are the blade is dull or coated with wood pitch.

When cleaning gum and wood pitch from blade, unplug the saw and remove the blade. Remember, blades are designed to cut, so handle carefully. Wipe the blade with kerosene or similar solvent to remove the gum and pitch. Unless you are experienced in sharpening blades, we recommend you do not try.

Tool Lubrication

Your Bosch tool has been properly lubricated and is ready to use. It is recommended that tools with gears be regreased with a special gear lubricant at every brush change.

Periodically lubricate moving parts with a silicone, or light oil spray. Do not use grease because it tends to attract and hold sawdust.

Bearings

All bearings in this tools are lubricated with a sufficient amount of high grade lubricant for the life of the unit under normal operating conditions. No further lubrication is required.

Troubleshooting

Electrical Troubleshooting Guide

PROBLEM	CAUSE	CORRECTIVE ACTION
Brake does not stop blade in about 5 seconds	<ol style="list-style-type: none"> 1. Brushes not seated or lightly sticking or worn. 2. Motor overheated from use of dull blade/too heavy of a blade, not recommended accessory or rapid on/off cycling. 3. Blade bolt loose. 4. Other 	<ul style="list-style-type: none"> - Inspect/clean or replace brushes (see Maintenance Section). - Use sharp blade. - Use a recommended blade. - Let saw cool down. - Tighten blade bolt. - Authorized service
Motor does not start.	<ol style="list-style-type: none"> 1. Check that unit is plugged in. 2. Power source fuse or time delay fuse. 3. Brushes worn. 4. Handle not in usable position. 5. Other. 	<ul style="list-style-type: none"> - Plug unit in. Use different outlet. - 15-Amp time delay fuse or circuit breaker. - See Brush Replacement in the Maintenance and Lubrication section. - Lock handle into one of the four usable positions. - Authorized service.
Flash of light from motor endcap when switch is released.	<ol style="list-style-type: none"> 1. Normal - brake working properly. 	

Troubleshooting Guide - General

PROBLEM	CAUSE	CORRECTIVE ACTION
Head assembly does not bevel to desired position.	<ol style="list-style-type: none"> 1. Bevel 33.9° stop engaged. 2. Bevel range selector knob setting limits movement. 	<ul style="list-style-type: none"> - Pull out 33.9° stop and rotate it 90°. - Change range setting.
Blade hits table.	<ol style="list-style-type: none"> 1. Misalignment 	<ul style="list-style-type: none"> - Authorized service.
Angle of cut not accurate.	<ol style="list-style-type: none"> 1. Misalignment 	<ul style="list-style-type: none"> - See Adjustments section.
Cannot move miter adjustment.	<ol style="list-style-type: none"> 1. Lock knob tightened/detent engaged. 2. Sawdust under table. 3. Microfine Adjustment System is engaged. 4. Blade interferes with fence. 	<ul style="list-style-type: none"> - Loosen lock knob/move out of detent. - Vacuum or blow out dust. Wear eye protection. - Disengage system. - Authorized service.
Head assembly will not fully rise or blade guard will not fully close.	<ol style="list-style-type: none"> 1. Part failure. 2. Pivot spring or guard spring not replaced properly after service. 3. Cover plate not tightened after replacing blade. 4. Sawdust accumulation. 	<ul style="list-style-type: none"> - Authorized service. - Authorized service. - See Blade Installation page 11. - Clean head assembly.
Blade binds, jams, burns wood. Rough cuts.	<ol style="list-style-type: none"> 1. Improper operation. 2. Dull blade. 3. Improper blade. 4. Bent blade. 	<ul style="list-style-type: none"> - See Basic Saw Operation section. - Replace or sharpen blade. - Replace with 10" diameter blade designed for the material being cut. - Replace blade.
Tool vibrates or shakes.	<ol style="list-style-type: none"> 1. Saw blade not round. 2. Saw blade damaged. 3. Saw blade loose. 4. Other. 	<ul style="list-style-type: none"> - Replace blade. - Replace blade. - Tighten blade bolt. - Authorized service.
Blade does not completely cut workpiece.	<ol style="list-style-type: none"> 1. Depth stop screw adjusted for groove cutting. 	<ul style="list-style-type: none"> - See Depth Stop Adjustment in the Adjustment section.
Head assembly does not slide freely when attempting a slide cut. Head assembly slides forward and back when making a chop cut.	<ol style="list-style-type: none"> 1. Slide rail lock knob tightened. 2. Slide rail lock knob not tightened. 	<ul style="list-style-type: none"> - Loosen slide rail lock knob. - Push head assembly completely against stop. Tighten slide rail lock knob.
Bevel setting does not hold position.	Bevel lock lever assembly needs to be tightened.	<ul style="list-style-type: none"> - Tighten bevel lock lever as shown on page 15.

Accessories

**DWM40L MiterFinder™ Digital Angle
finder/Compound Cut
Calculator/Protractor/Level**

Gives you the information needed to position cuts so that they fit together precisely even if the room is out of square.

MS1220 Folding Stand with Wheels

Provides solid support for saw and easy transport into & out of job sites.

MS1221 Horizontal Quick Clamp

Clamps workpiece against fence. Mounts to left or right side of the table.

MS1226 Replacement (Vertical) Quick Clamp

MS1227 Stock Support Extension System

Includes two adjustable support stands.

MS1228 Crown Molding Support Stop (2)

Accurately positions and supports crown molding when angled against the fence.

MS1229 Extra-Long Base Rod Kit

Consists of replacement steel rods that extend the total width of base to 50-1/2"

MS1230 Length Stop Kit.

MS1231 Replacement Kerf Inserts

MS1232 Replacement Dust Bag

T3B TracRac™ Portable Stand with Wheels

Increases material capacity to 20 feet.

Seguridad



ADVERTENCIA “LEA TODAS LAS INSTRUCCIONES”. El incumplimiento de las NORMAS DE SEGURIDAD identificadas por el símbolo del PUNTO NEGRO (●) que se indican A CONTINUACION y otras precauciones de seguridad puede dar lugar a lesiones personales graves.

Normas generales de seguridad para herramientas para tablero de banco

Area de trabajo

- **Mantenga limpia y bien iluminada el área de trabajo.** Los bancos desordenados y las áreas oscuras invitan a que se produzcan accidentes.
- **No utilice herramientas mecánicas en atmósferas explosivas, tales como las existentes en presencia de líquidos, gases o polvos inflamables.** Las herramientas mecánicas generan chispas y éstas pueden dar lugar a la ignición del polvo o los vapores.
- **Mantenga alejadas a las personas que se encuentren presentes, a los niños y a los visitantes mientras esté utilizando una herramienta mecánica.** Las distracciones pueden hacerle perder el control.
- **Guarde las herramientas que no esté usando fuera del alcance de los niños y otras personas no capacitadas.** Las herramientas son peligrosas en las manos de los usuarios no capacitados.
- **No deje desatendida la herramienta en marcha. Apáguela.** No deje la herramienta hasta que se haya detenido por completo.
- **HAGA EL TALLER A PRUEBA DE NIÑOS** con candados, interruptores maestros o quitando las llaves de arranque.

Seguridad eléctrica

- **Antes de enchufar la herramienta, asegúrese de que la tensión del tomacorriente es compatible con la tensión especificada en la placa del fabricante dentro de un margen del 10%.** Una tensión del tomacorriente incompatible con la que se especifica en la placa del fabricante puede dar como resultado peligros graves y daños a la herramienta.
- **Las herramientas con aislamiento doble están equipadas con un enchufe polarizado (un terminal es más ancho que el otro). Este enchufe entrará en un tomacorriente polarizado solamente de una manera. Si el enchufe no entra por completo en el tomacorriente, déle la vuelta. Si sigue sin entrar, póngase en contacto con un electricista competente para instalar un tomacorriente polarizado. No haga ningún tipo de cambio en el enchufe.** El aislamiento doble elimina la necesidad de un cordón de energía de tres cables conectado a tierra y de una fuente de energía conectada a tierra.
- **Evite el contacto del cuerpo con las superficies conectadas a tierra, tales como tuberías, radiadores, estufas de cocina y refrigeradores.** Hay mayor riesgo de que se produzcan sacudidas eléctricas si su cuerpo está conectado a tierra.

- **No exponga las herramientas mecánicas a la lluvia ni a situaciones húmedas.** La entrada de agua en una herramienta mecánica aumentará el riesgo de que se produzcan sacudidas eléctricas.
- **No abuse del cordón. Nunca use el cordón para llevar las herramientas ni tire de él para desconectarlo del tomacorriente. Mantenga el cordón alejado del calor, el aceite, los bordes afilados o las piezas móviles. Cambie los cordones dañados inmediatamente.** Los cordones dañados aumentan el riesgo de que se produzcan sacudidas eléctricas.
- **Cuando utilice una herramienta mecánica a la intemperie, use un cordón de extensión para intemperie marcado “W-A” o “W”.** Estos cordones tienen capacidad nominal para uso a la intemperie y reducen el riesgo de que se produzcan sacudidas eléctricas.

Seguridad personal

- **Manténgase alerta, fíjese en lo que está haciendo y use el sentido común al utilizar una herramienta mecánica.** Un momento de descuido o el consumo de drogas, alcohol o medicamentos mientras se utilizan herramientas mecánicas puede ser peligroso.
- **Vístase adecuadamente. No se ponga ropa holgada ni joyas. Sujétese el pelo largo. Mantenga el pelo, la ropa y los guantes alejados de las piezas móviles.** La ropa holgada, las joyas o el pelo largo pueden quedar atrapados en las piezas móviles. Súbase las mangas largas por encima de los codos. Se recomiendan guantes de caucho y calzado antideslizante cuando se trabaja a la intemperie.
- **Evite el arranque accidental. Asegúrese de que el interruptor esté en la posición “OFF” (apagado) antes de enchufar la herramienta.** El llevar las herramientas con el dedo en el interruptor o el enchufar las herramientas que tienen el interruptor en la posición “ON” (encendido) invita a que se produzcan accidentes.
- **Quite las llaves de ajuste o las llaves de tuerca antes de ENCENDER la herramienta.** Una llave de tuerca o de ajuste que se deje puesta en una pieza giratoria de la herramienta saldrá despedida.
- **No intente alcanzar demasiado lejos. Mantenga un apoyo de los pies y un equilibrio adecuados en todo momento.** El apoyo de los pies y el equilibrio adecuados permiten un mejor control de la herramienta en situaciones inesperadas.
- **No se suba en la herramienta ni en su base.** Se pueden producir lesiones graves si la herramienta vuelca o si se hace contacto con la herramienta de corte accidentalmente. No guarde materiales sobre ni cerca de la herramienta de tal modo que sea necesario subirse a la herramienta o a su base para alcanzarlos.

“CONSERVE ESTAS INSTRUCCIONES”

Seguridad



ADVERTENCIA “LEA TODAS LAS INSTRUCCIONES”. El incumplimiento de las NORMAS DE SEGURIDAD identificadas por el símbolo del PUNTO NEGRO (●) que se indican A CONTINUACION y otras precauciones de seguridad puede dar lugar a lesiones personales graves.

- **Utilice equipo de seguridad. Use siempre gafas de seguridad.** Se debe utilizar una máscara antipolvo, calzado de seguridad, casco o protección en los oídos según lo requieran las condiciones. Los lentes de uso diario sólo tienen lentes resistentes a los golpes. NO son gafas de seguridad.

Utilización y cuidado de las herramientas

- **Utilice abrazaderas u otro modo práctico de fijar y soportar la pieza de trabajo en una plataforma estable.** La sujeción de la pieza de trabajo con la mano o contra el cuerpo resulta inestable. Permite que la pieza de trabajo se desplace y cause atasco de la herramienta y pérdida de control.
- **No fuerce la herramienta. Use la herramienta correcta para la aplicación que desea.** La herramienta correcta hará el trabajo mejor y con más seguridad a la capacidad nominal para la que está diseñada. No utilice la herramienta para propósitos para los que no está diseñada. Por ejemplo, no use la sierra para cortar ingletes para trocear metales.
- **No utilice la herramienta si el interruptor no la ENCIENDE o APAGA.** Cualquier herramienta que no se pueda controlar con el interruptor es peligrosa.
- **Desconecte el enchufe de la fuente de energía antes de hacer cualquier ajuste o de cambiar accesorios.** Estas medidas de seguridad preventivas reducen el riesgo de arrancar la herramienta accidentalmente.
- **Mantenga las herramientas de corte afiladas y limpias.** Es menos probable que las herramientas mantenidas adecuadamente, con bordes de corte afilados, se atasquen, y son más fáciles de controlar. Al montar hojas de sierra, asegúrese de que la flecha de la hoja coincida con el sentido de la flecha marcada en la herramienta y de que los dientes también estén orientados en el mismo sentido.
- **Inspeccione los protectores antes de usar una herramienta. Mantenga los protectores en su sitio. Compruebe si las piezas móviles se atascan o si existe cualquier otra situación que pueda afectar el funcionamiento normal o los dispositivos de seguridad de la herramienta. Si la herramienta se daña, haga que realicen servicio de ajustes y reparaciones antes de usarla.** Muchos accidentes son causados por herramientas mal mantenidas.
- **No altere ni haga uso incorrecto de la herramienta.** Cualquier alteración o modificación constituye un uso incorrecto y puede dar lugar a lesiones personales graves.
- **La utilización de cualquier otro accesorio no especificado en este manual puede constituir un peligro.** Los accesorios que pueden ser adecuados para un tipo de herramienta pueden resultar peligrosos cuando se utilizan en una herramienta inadecuada.

Servicio

- **El servicio de ajustes y reparaciones de una herramienta debe ser realizado únicamente por personal de reparaciones competente.** El servicio o mantenimiento realizado por personal no competente puede tener como resultado una colocación incorrecta de los cables y componentes internos que podría causar un peligro grave.
- **Al realizar servicio de ajustes y reparaciones de una herramienta, utilice únicamente piezas de repuesto idénticas. Siga las instrucciones que figuran en la sección Mantenimiento de este manual.** El uso de piezas no autorizadas o el incumplimiento de las instrucciones de Mantenimiento puede constituir un peligro.

Normas de seguridad para sierras para cortar ingletes

- **Use abrazaderas para soportar la pieza de trabajo siempre que sea posible. Si soporta la pieza de trabajo con la mano, siempre debe mantener la mano fuera del área de “No tocar con la mano” según se marca con un símbolo en la base. No use esta sierra para cortar piezas que sean demasiado pequeñas para fijarlas firmemente con abrazaderas.** Si coloca la mano dentro de la región de “No tocar con la mano”, ésta puede resbalar o experimentar tracción hacia la hoja.
- **No ponga ninguna mano detrás de la hoja de sierra tras el tope-guía para sujetar o soportar la pieza de trabajo, quitar desechos de madera ni por cualquier otra razón.** Puede que la proximidad de la mano a la hoja de sierra que gira no sea obvia, y sin embargo usted puede resultar lesionado gravemente.
- **Nunca atraviese la mano sobre la línea de corte prevista.** Es muy peligroso soportar la pieza de trabajo “con las manos cruzadas”, es decir, sujetando el lado izquierdo de la pieza de trabajo con la mano derecha.
- **Desconecte siempre el cordón de energía de la fuente de energía antes de hacer cualquier ajuste o colocar cualquier accesorio.** Usted podría arrancar la sierra involuntariamente, teniendo como resultado lesiones personales graves.
- **Las sierras para cortar ingletes están diseñadas principalmente para cortar madera o productos parecidos a la madera y no se pueden usar con ruedas de corte abrasivas para cortar material ferroso tal como barras, varillas, espigas, etc. Sin embargo, si corta materiales como aluminio u otros materiales no ferrosos, utilice únicamente hojas de sierra recomendadas específicamente para el corte de metales no ferrosos.** El corte de materiales ferrosos genera un exceso de chispas, dañará el protector inferior y sobrecargará el motor. (NOTA: Bosch Tool Corporation no ofrece hojas de 10" para cortar metales.)

“CONSERVE ESTAS INSTRUCCIONES”

Seguridad



ADVERTENCIA “LEA TODAS LAS INSTRUCCIONES”. El incumplimiento de las NORMAS DE SEGURIDAD identificadas por el símbolo del PUNTO NEGRO (●) que se indican A CONTINUACION y otras precauciones de seguridad puede dar lugar a lesiones personales graves.

- **Inspeccione la pieza de trabajo antes de cortar. Si la pieza de trabajo está arqueada o combada, fíjela con el lado arqueado exterior orientado hacia el tope-guía. Asegúrese siempre de que no haya espacio libre entre la pieza de trabajo, el tope-guía y la mesa a lo largo de la línea de corte.** Las piezas de trabajo arqueadas o combadas pueden torcerse u oscilar y pueden causar atasco en la hoja de sierra que gira durante el corte. Además, asegúrese de que no haya clavos ni objetos extraños en la pieza de trabajo.
- **No use la sierra hasta que se hayan retirado de la mesa todas las herramientas, desechos de madera, etc., excepto la pieza de trabajo.** Los desperdicios pequeños o las piezas sueltas de madera u otros objetos que hagan contacto con la hoja que gira pueden salir despedidos a alta velocidad hacia el operador.
- **No haga avanzar la pieza de trabajo hacia la hoja ni corte a pulso de ningún modo. La pieza de trabajo debe estar estacionaria y fijada con abrazaderas o sujeta con la mano.** Se debe hacer avanzar la sierra a través de la pieza de trabajo de modo suave y a una velocidad que no sobrecargue el motor de la sierra.
- **Corte únicamente una pieza de trabajo por vez.** No se pueden fijar con abrazaderas ni sujetar de modo adecuado múltiples piezas de trabajo y éstas pueden atascarse en la hoja o desplazarse durante el corte.
- **Asegúrese de que la sierra para cortar ingletes esté montada o colocada sobre una superficie de trabajo nivelada y firme antes de utilizarla.** Una superficie de trabajo nivelada y firme reduce el riesgo de que la sierra para cortar ingletes se vuelva inestable.
- **Planifique el trabajo que va a hacer. Proporcione accesorios de soporte adecuados, tales como mesas, caballetes de aserrar, extensiones de mesa, etc., para piezas de trabajo más anchas o más largas que el tablero de la mesa (vea la página 54).** Las piezas de trabajo más largas o más anchas que la mesa de la sierra para cortar ingletes se pueden inclinar si no se soportan adecuadamente. Si la pieza cortada o la pieza de trabajo se inclina, puede hacer subir el protector inferior o salir despedida por acción de la hoja que gira.
- **No use a otra persona como sustituto de una extensión de mesa o como soporte adicional.** Un soporte inestable de la pieza de trabajo puede hacer que la hoja se atasque o que la pieza de trabajo se desplace durante la operación de corte, tirando de usted y del ayudante hacia la hoja que gira.
- **La pieza cortada no debe estar bloqueada contra ningún otro medio ni presionada por ningún otro medio contra la hoja de sierra que gira.** Si se confina, es decir, si se usan topes de longitud, podría quedar acuñaada contra la hoja y salir despedida violentamente.
- **Use siempre una abrazadera o un dispositivo de sujeción diseñado para soportar adecuadamente material redondo tal como varillas con espiga o tubos.** Las varillas tienen tendencia a rodar mientras son cortadas, haciendo que la hoja “muerda” la pieza de trabajo y tire de ésta, junto con la mano del operador, hacia la hoja.
- **Al cortar piezas de trabajo que tienen forma irregular, planifique su trabajo de modo que la pieza de trabajo no resbale y pellizque la hoja y le sea arrancada de la mano.** Por ejemplo, una pieza de moldura debe estar colocada en posición horizontal o estar sujeta por un dispositivo de sujeción o un posicionador que no permita que la pieza se tuerza, oscile o resbale mientras esté siendo cortada.
- **Deje que la hoja alcance toda su velocidad antes de hacer contacto con la pieza de trabajo.** Esto ayudará a evitar que las piezas de trabajo salgan despedidas.
- **Si la pieza de trabajo o la hoja se atasca o engancha, APAGUE la sierra para cortar ingletes soltando el interruptor. Espere a que todas las piezas móviles se detengan y desenchufe la sierra para cortar ingletes. Luego, suelte el material atascado.** El aserrado continuo de una pieza de trabajo atascada podría causar pérdida de control o daños a la sierra para cortar ingletes compuestos.
- **La acción de frenado de la sierra hace que el cabezal de la sierra dé sacudidas hacia abajo. Este preparado para esta reacción al hacer un corte incompleto o al soltar el interruptor antes de que el cabezal esté en la posición completamente hacia abajo.**
- **Después de terminar el corte, suelte el interruptor, sujete el brazo de la sierra hacia abajo y espere a que la hoja se detenga antes de retirar la pieza de trabajo o la pieza cortada. Si la hoja no se detiene al cabo de cinco (5) segundos, desenchufe la sierra y siga las instrucciones que figuran en la sección Localización y reparación de averías. ¡ES PELIGROSO PONER LA MANO BAJO UNA HOJA QUE AUN GIRA POR INERCIA!**
- **Hay instrucciones de seguridad adicionales para operaciones específicas de la sierra en la sección de operaciones. Lea el resto del manual para informarse sobre la utilización con seguridad.**
- **Para el corte con acción deslizante, TIRE primero del ensamblaje del cabezal de la sierra alejándolo del tope-guía hasta que la hoja no toque la pieza de trabajo o hasta su extensión máxima si la hoja no puede dejar de tocar la pieza de trabajo. Asegúrese de que la abrazadera no interfiera ni con el protector ni con el ensamblaje del cabezal. Segundo, ENCIENDA la sierra y bájela hasta la mesa. Luego, EMPUJE la sierra a través de la pieza de trabajo. Suelte el interruptor y espere a que la hoja se detenga por completo antes de subir el ensamblaje del cabezal y retirar la pieza de trabajo. Nunca “corte tirando de la sierra”, ya que la hoja puede subir a la superficie de la pieza de trabajo y causar RETROCESO.**
- **Para el corte con acción de troceado, deslice el ensamblaje del cabezal hacia la parte posterior tanto como se pueda y apriete el pomo de fijación del carro. Luego, ENCIENDA la sierra y baje el ensamblaje del cabezal para hacer el corte. Suelte el interruptor y espere a que la hoja se detenga por completo antes de subir el ensamblaje del cabezal y retirar la pieza de trabajo. El no apretar el pomo de fijación del carro puede hacer que la hoja suba repentinamente a la superficie de la pieza de trabajo y llegue hasta usted.**

“CONSERVE ESTAS INSTRUCCIONES”

Seguridad

⚠️ ADVERTENCIA “LEA TODAS LAS INSTRUCCIONES”. El incumplimiento de las NORMAS DE SEGURIDAD identificadas por el símbolo del PUNTO NEGRO (●) que se indican A CONTINUACION y otras precauciones de seguridad puede dar lugar a lesiones personales graves.

- No permita que la familiarización obtenida por el uso frecuente de la sierra para cortar ingletes se vuelva algo habitual. Recuerde siempre que un descuido de una fracción de segundo es suficiente para causar una lesión grave.
- ¡PIENSE EN LA SEGURIDAD! LA SEGURIDAD ES UNA COMBINACION DE SENTIDO COMUN Y CONOCIMIENTO DE LAS INSTRUCCIONES DE SEGURIDAD Y DE FUNCIONAMIENTO POR PARTE DEL OPERADOR Y DE QUE ESTE PERMANEZCA ALERTA EN TODO MOMENTO MIENTRAS SE ESTA UTILIZANDO LA SIERRA PARA CORTAR INGLETES.

⚠️ ADVERTENCIA LAS ADVERTENCIAS QUE SE MUESTRAN A CONTINUACION SE PUEDEN ENCONTRAR EN LA HERRAMIENTA. ESTAS ADVERTENCIAS SON SOLAMENTE UNA FORMA CONDENSADA DE LAS NORMAS Y PRECAUCIONES DE SEGURIDAD MAS DETALLADAS QUE APARECEN EN EL MANUAL DEL USUARIO. SIRVEN COMO RECORDATORIO DE TODAS LAS NORMAS DE SEGURIDAD NECESARIAS PARA LA UTILIZACION CON SEGURIDAD DE ESTA SIERRA PARA CORTAR INGLETES.

⚠️ ADVERTENCIA Cierta polvo generado por el lijado, aserrado, amolado y taladrado mecánicos, y por otras actividades de construcción, contiene agentes químicos que se sabe que causan cáncer, defectos de nacimiento u otros daños sobre la reproducción. Algunos ejemplos de estos agentes químicos son:

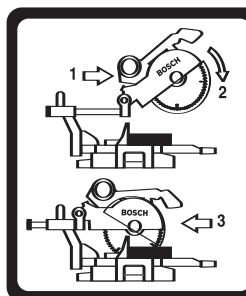
- Plomo de pinturas a base de plomo,
- Sílice cristalina de ladrillos y cemento y otros productos de mampostería, y
- Arsénico y cromo de madera tratada químicamente.

Su riesgo por causa de estas exposiciones varía, dependiendo de con cuánta frecuencia realice este tipo de trabajo. Para reducir su exposición a estos agentes químicos: trabaje en un área bien ventilada y trabaje con equipo de seguridad aprobado, como por ejemplo máscaras antipolvo que estén diseñadas especialmente para impedir mediante filtración el paso de partículas microscópicas.



ZONA DESIGNADA DE PELIGRO. EVITE SITUAR LAS MANOS, LOS DEDOS O LOS BRAZOS EN EL AREA DESIGNADA POR ESTE SIMBOLO.

⚠️ ADVERTENCIA Para reducir el riesgo de lesiones, el usuario debe leer y entender el manual de instrucciones.
▲ Use protección de los ojos y antipolvo. ▲ Use una hoja de sierra con capacidad nominal de 3800/min o mayor. ▲ No use la sierra si el sistema del protector no funciona correctamente. Si el protector no funciona con suavidad, haga que le den servicio de ajustes y reparaciones. Después de cambiar la hoja, regrese el protector a la posición de funcionamiento. ▲ Mantenga las manos a una distancia segura de la hoja de sierra. Manténgalas siempre fuera de la zona de "manos no". ▲ Fije o sujete con abrazaderas la pieza de trabajo contra la base y el tope-guía. No realice nunca operaciones a pulso. ▲ No corte transversalmente a las manos. Nunca ponga las manos o los brazos en la trayectoria proyectada de la hoja de sierra. Con el motor en la posición de apagado, haga una pasada de prueba para comprobar el alcance de la hoja. ▲ Después de apagar la sierra, manténgala en la posición hacia abajo y espere a que la hoja se detenga antes de retirar las piezas cortadas o cambiar los ajustes. ▲ Para evitar las descargas eléctricas, no exponga la herramienta a la lluvia ni la utilice en lugares húmedos. ▲ Cuando haga servicio de ajustes y reparaciones de la herramienta, utilice únicamente piezas de repuesto idénticas.
▲ Para realizar cortes en bisel o compuestos, ajuste el tope-guía deslizante de manera que no esté en la trayectoria de la hoja y no interfiera con el sistema del protector.



⚠️ PARA REALIZAR UN CORTE CON ACCIÓN DESLIZANTE, SIGA SIEMPRE ESTAS INSTRUCCIONES:

1. TIRE del carro de la sierra alejándolo del tope-guía, hasta que la hoja pase la pieza de trabajo o hasta su máxima extensión si la hoja no puede pasar la pieza de trabajo.
2. Encienda la sierra y bájela hasta la mesa.
3. EMPUJE la sierra a través de la pieza de trabajo. No corte nunca corte "tirando de la sierra", ya que la hoja podría trepar por la pieza de trabajo, causando RETROCESO.

⚠️ POUR UNE COUPE LE LONG D'UN GUIDE, TOUJOURS SUIVRE CES INSTRUCTIONS:

1. TIRER le cadre de la scie hors du guide, jusqu'à ce que la lame sorte de la pièce de travail ou à son extension maximum si celle-ci ne peut sortir de la pièce.
2. Mettre la scie sur « MARCHE » et l'abaisser vers la table.
3. POUSSER la scie dans la pièce à couper. Ne jamais couper en tirant, la lame pourrait monter sur la pièce de travail et provoquer un REBOND.


“CONSERVE ESTAS INSTRUCCIONES”

Seguridad



ADVERTENCIA "LEA TODAS LAS INSTRUCCIONES". El incumplimiento de las NORMAS DE SEGURIDAD identificadas por el símbolo del PUNTO NEGRO (●) que se indican A CONTINUACION y otras precauciones de seguridad puede dar lugar a lesiones personales graves.

Herramientas con aislamiento doble

El aislamiento doble  es un concepto de diseño utilizado en las herramientas mecánicas eléctricas que elimina la necesidad de un cordón de energía de tres cables conectado a tierra y de un sistema de fuente de energía conectado a tierra. Es un sistema reconocido y aprobado por Underwriter's Laboratories, la CSA y las autoridades federales de la OSHA.

- El servicio de ajustes y reparaciones de una herramienta con aislamiento doble requiere cuidado y conocimiento del sistema y deberá ser realizado únicamente por un técnico de servicio competente.
- DURANTE EL SERVICIO DE AJUSTES Y REPARACIONES, UTILICE ÚNICAMENTE PIEZAS DE REPUESTO IDENTICAS.
- ENCHUFES POLARIZADOS. Si su herramienta está equipada con un enchufe polarizado (un terminal es más ancho que el otro), este enchufe entrará en un tomacorriente polarizado solamente de una manera. Si el enchufe no entra por completo en el tomacorriente, déle la vuelta. Si sigue sin entrar, póngase en contacto con un electricista competente para instalar el tomacorriente adecuado. No haga ningún tipo de cambio en el enchufe.

"CONSERVE ESTAS INSTRUCCIONES"

Cordones de extensión

- Sustituya los cordones dañados inmediatamente. La utilización de cordones dañados puede causar sacudidas, quemar o electrocutar.
- Si se necesita un cordón de extensión, se debe utilizar un cordón con conductores de tamaño adecuado para prevenir caídas de tensión excesivas, pérdidas de potencia o sobrecalentamiento. La tabla muestra el tamaño correcto a utilizar, según la longitud del cordón y la capacidad nominal en amperios indicada en la placa del fabricante de la herramienta. En caso de duda, utilice la medida más gruesa siguiente. Utilice siempre cordones de extensión catalogados por U.L. y la CSA.

TAMAÑOS RECOMENDADOS DE CORDONES DE EXTENSION

Capacidad nominal en amperios de la herramienta	HERRAMIENTAS DE 120 VOLT A.C. Longitud del cordón en pies Tamaño del cordón en calibres A.W.G.			
	25	50	100	150
3-6	18	16	16	14
6-8	18	16	14	12
8-10	18	16	14	12
10-12	16	16	14	12
12-16	14	12	N/A	N/A

NOTA: Cuanto más pequeño es el número de calibre, más grueso es el cordón.

Requisitos eléctricos

1. Conecte esta sierra a un circuito derivado de 120 V y 15 A con cortacircuito o un fusible de 15 amperios de acción retardada. La utilización de un fusible de tamaño incorrecto puede dañar el motor.
2. Los fusibles pueden fundirse o los cortacircuitos pueden disiparse frecuentemente si se sobrecarga el motor. La sobrecarga puede producirse si se hace avanzar la hoja por la pieza de trabajo demasiado rápido o si se arranca y se detiene demasiado frecuente en un período de tiempo corto.
3. La mayoría de los problemas del motor se pueden atribuir a conexiones flojas o incorrectas, sobrecarga, tensión baja (tal como un cable de tamaño pequeño en el circuito de alimentación o un cable del circuito de alimentación demasiado largo). Compruebe siempre las conexiones, la carga y el circuito de alimentación cuando el motor no funciona bien.

Freno eléctrico

La sierra está equipada con un freno eléctrico automático que está diseñado para hacer que la hoja deje de girar en unos cinco (5) segundos después que usted suelte el interruptor gatillo. Es útil al hacer ciertos cortes en madera donde una hoja que aún gire por inercia podría producir un corte ancho e impreciso.



ADVERTENCIA Cuando se pierda la energía eléctrica debido a que se haya fundido un fusible o a otras causas, la velocidad del motor se reducirá gradualmente y la acción de frenado se iniciará ÚNICAMENTE al soltar el interruptor gatillo.

El freno eléctrico de la hoja de la sierra ha sido diseñado para proporcionar el más alto grado de confiabilidad, pero circunstancias inesperadas, tales como presencia de contaminación en el conmutador y en las escobillas o avería de los componentes del motor, pueden hacer que el freno no se active. Si se produce esta situación, encienda (posición "ON") y apague (posición "OFF") la sierra cuatro o cinco veces sin entrar en contacto con la pieza de trabajo. Si la herramienta funciona pero el freno no detiene la hoja cada vez en unos 5 segundos, NO utilice la sierra y haga que se realice servicio de ajustes y reparaciones inmediatamente.



ADVERTENCIA La acción de frenado de esta sierra no está proyectada como dispositivo de seguridad. Recuerde dejar que la hoja de la sierra se detenga por completo antes de retirarla de la pieza de trabajo. Como siempre, el sistema de protectores constituye la mejor protección para usted contra el contacto no intencional con la hoja de sierra que gira. NUNCA ponga cuñas para mantener abierto el protector inferior ni anule la acción de cierre de dicho protector.

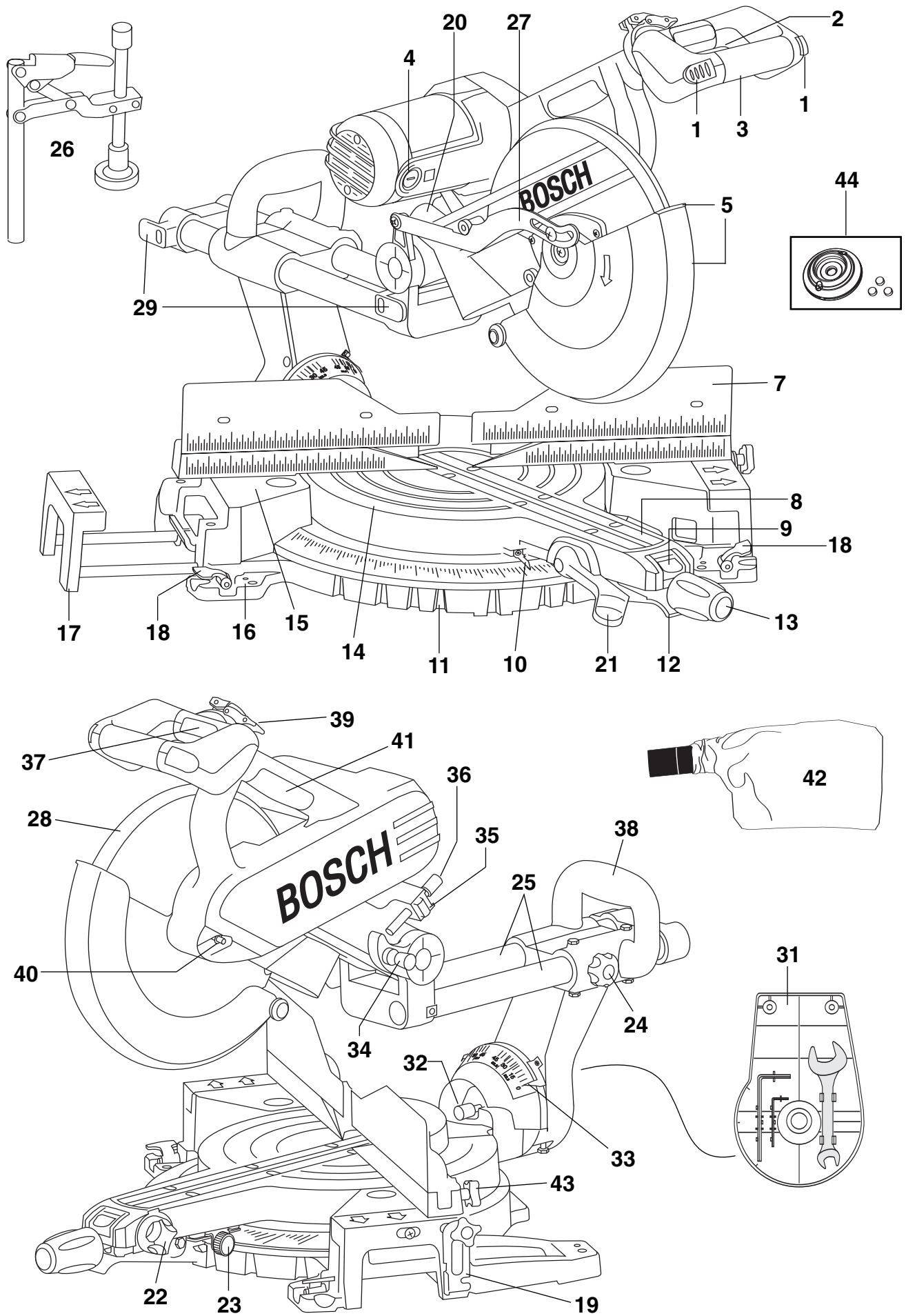
Indice

	Página		Página
Seguridad	40-44	Transporte, colocación y montaje	57-58
Normas generales de seguridad para herramientas para tablero de banco	40	Aplicaciones de montaje	57
Normas de seguridad para sierras para cortar ingletes .	41-44	Montaje de la sierra	58
Requisitos eléctricos	44	Ajuste del mango interruptor de cuatro posiciones .	58
Indice	45	Operaciones básicas de la sierra	59-63
Familiarización con la sierra para cortar ingletes	46-47	Posición del cuerpo y de las manos	59
Desempaquetado y comprobación del contenido	48	Soporte de la pieza de trabajo	60-61
Herramientas necesarias para el ensamblaje y la alineación	48	Activación del interruptor	61
Ensamblaje	49-50	Sobrecontrol del retén del inglete	62
Instalación y remoción de la hoja	49	Sistema de ajuste Microfino de ingletes	62
Colocación del pomo de fijación de inglete	50	Extensión de la base/tope-guía deslizante	63
Ensamblaje del codo para polvo y la bolsa para polvo	50	Operaciones de la sierra	64-64
Ajustes	51-56	Corte de troceado	64
Comprobación del ajuste de bisel a 0°	51	Corte deslizante	64
Calibración de la hoja a 0°	51	Corte a inglete	65
Comprobación del tope de bisel de 45° a la derecha	52	Corte en bisel	66-67
Calibración del tope de bisel de 45° a la derecha	52	Cortes compuestos	67
Comprobación del tope de bisel de 45° a la izquierda	53	Corte de ranuras	68
Calibración del tope de bisel de 45° a la izquierda	53	Tope de longitud	68
Ajuste de la tensión de la palanca de fijación de bisel	53	Corte de moldura de base	69
Hoja en ángulo recto con el tope-guía	54	Corte de moldura de techo	69-71
Ajuste del indicador de la escala de ingletes	54	Cortes especiales	72
Accesorio de inserción para la separación de corte	55	Mantenimiento y lubricación	73-74
Ajuste de la profundidad	55	Localización y reparación de averías	74-75
Ajuste de la acción de deslizamiento	56	Accesorios	76
		Garantía	116

Familiarización con la sierra para cortar ingletes

⚠️ ADVERTENCIA Para evitar lesiones debidas a un arranque accidental, saque el enchufe del tomacorriente de la fuente de energía antes de hacer cualquier ajuste.

- 1. Botón de liberación de la "Fijación en Off" (apagado)** – Uno de estos dos botones debe estar oprimido para activar el interruptor de encendido.
- 2. Interruptor de encendido** – El interruptor de encendido utilizado con el botón de "Fijación en OFF" enciende la unidad.
- 3. Mango principal** – Este mango contiene el interruptor. La hoja se baja hacia la pieza de trabajo empujando este mango hacia abajo.
- 4. Tapas de las escobillas** – Estas tapas mantienen las escobillas del motor en su sitio y facilitan el acceso para inspeccionar y cambiar las escobillas.
- 5. Protector inferior de la hoja/reborde del protector inferior** – El protector inferior de la hoja ayuda a proteger las manos del operador contra la hoja que gira. Se retrae al bajar la hoja. El reborde se puede usar para subir el protector inferior cuando éste se atasque en una pieza de trabajo.
- 6. Hoja** – Use solamente hojas de 10" con agujero de eje portaherramienta de 5/8".
- 7. Tope-guía deslizante** – Soporta la pieza de trabajo. El tope-guía tiene una escala fundida para hacer cortes repetitivos fácilmente. El tope-guía también tiene agujeros que se usan para fijar un tope-guía auxiliar si así se desea.
- 8. Accesorios de inserción para la separación de corte** – Los accesorios de inserción para la separación de corte se pueden ajustar a diferentes anchos de hoja para minimizar el desgarro de la pieza de trabajo.
- 9. Sobrecontrol del retén de inglete** – Permite anular la acción del retén para facilitar los microajustes a cualquier ángulo de inglete.
- 10. Indicador de la escala de ingletes/del ángulo de inglete** – Esta escala está fundida en la base de la sierra. El indicador está sujeto a la mesa.
- 11. Retenes de inglete** – Hay diez (10) retenes de inglete para cortes de inglete a ángulos de inglete comunes con rapidez y precisión.
- 12. Gatillo de retén del inglete** – Este gatillo suelta la mesa de la sujeción del retén.
- 13. Pomo de fijación de inglete** – El pomo de fijación de inglete fija la mesa de la sierra para cortar ingletes en cualquier ángulo de inglete que se desee.
- 14. Mesa** – Está asentada sobre la base, proporciona soporte a la pieza de trabajo, gira para realizar los cortes de inglete deseados y gira el ensamblaje del cabezal. La parte delantera extendida de la mesa se llama brazo de inglete.
- 15. Base** – Proporciona una superficie de trabajo para soportar la pieza de trabajo.
- 16. Plataformas de montaje de la herramienta** – Las cuatro esquinas de la sierra proporcionan áreas para fijar con abrazaderas, atornillar o clavar la sierra a una superficie de trabajo plana.
- 17. Extensiones de la base deslizantes** – Dan mayor soporte a la pieza y tienen gran utilidad cuando se cortan piezas largas.
- 18. Palancas de sujeción de las extensiones de la base** – Estas palancas aseguran las extensiones de la base en las posiciones deseadas.
- 19. Tope de longitud** – Para cortes repetitivos de la misma longitud. Si se desea, se puede mover al lado izquierdo.
- 20. Boquilla para polvo** – La boquilla para polvo puede acomodar el conducto para polvo y la bolsa para polvo o un adaptador de manguera de aspiración VAC004 opcional, que acepta mangueras Bosch de 35mm.
- 21. Palanca de fijación de bisel** – La palanca frontal de fijación de bisel fija el ensamblaje del cabezal en el ángulo deseado de bisel.
- 22. Perilla selectora de intervalo de biseles** – Permite seleccionar el intervalo de biseles, de 0° a 45° a la izquierda, de 0° a 45° a la derecha, y el intervalo completo de 47° a la izquierda hasta 46° a la derecha.
- 23. Sistema de ajuste Microfino de ingletes** – Permite el ajuste fino (hasta 2 grados a la izquierda o a la derecha) de los ángulos de retén.
- 24. Pomo de fijación de los rieles de deslizamiento** – El pomo de fijación de los rieles de deslizamiento fija los rieles de deslizamiento cuando no se están haciendo cortes deslizantes y cuando se está transportando la sierra.
- 25. Rieles de deslizamiento** – Guían el ensamblaje del cabezal al hacer cortes deslizantes.
- 26. Agujeros para abrazadera de acción rápida** – Hay dos (2) agujeros (que no se ven) detrás del tope-guía, para colocar la abrazadera de acción rápida.
- 27. Eslabón de accionamiento del protector inferior** – Permite un movimiento suave del protector inferior.
- 28. Protector superior de la hoja** – Cubre la porción superior de la hoja.
- 29. Soporte del cordón** – Permite enrollar con facilidad el cordón eléctrico para que no estorbe cuando transporte o guarde la sierra.
- 30. Cordón de energía** – Suministra energía al motor.
- 31. Área de almacenamiento de herramientas en la cubierta trasera** – Almacenamiento para la llave de tuercas de combinación de boca abierta de 10 mm/17 mm y las llaves hexagonales en "L" de 1.5 mm y 3 mm.
- 32. Pasador de retén del bisel (ajuste de moldura de techo)** – Permite trabar con facilidad el cabezal en el ángulo de bisel de 33.9° a la izquierda o a la derecha.
- 33. Escala de biseles** – Esta escala es grande y oblicua, para permitir la fácil lectura de los ángulos de bisel.
- 34. Pasador de fijación del ensamblaje del cabezal** – La sierra para cortar ingletes está equipada con un pasador de fijación que se usa para fijar el ensamblaje del cabezal en la posición inferior.
- 35. Botón de liberación rápida de tope de profundidad** – Le permite soltar con rapidez el tope de profundidad.
- 36. Perilla de ajuste fino del tope de profundidad** – Permite ajustar la profundidad de la hoja para cortar ranuras en la pieza.
- 37. Palanca de liberación de la rotación del mango** – Al tirar de esta palanca se puede girar el mango. Suelta la palanca en una de las cuatro posiciones de funcionamiento.
- 38. Mango trasero de transporte** – Se utiliza para levantar la herramienta.
- 39. Abrazadera del mango** – Fija el mango en la posición seleccionada.
- 40. Cierre del eje** – Permite al usuario impedir que la hoja gire mientras aprieta o afloja el tornillo del eje, para cambiar o quitar la hoja.
- 41. Mango delantero de transporte** – Se utiliza para levantar la herramienta.
- 42. Bolsa para polvo y codo para polvo** – Se utilizan para recoger el serrín.
- 43. Pomo de fijación del tope-guía deslizante** – Se utiliza para mantener la posición del tope-guía después de ajustar el deslizamiento.
- 44. Láser para el eje portaherramienta / 3 baterías.**



Desempaquetado y comprobación del contenido

ADVERTENCIA Antes de mover la sierra: Fije el pomo de fijación de inglete en la posición de 60°. Fije el mango de fijación de bisel. Tire del ensamblaje del cabezal completamente hacia usted y apriete el pomo de fijación de los rieles de deslizamiento. Fije el ensamblaje del cabezal en la posición hacia abajo.

Nunca transporte la herramienta llevándola por los rieles de deslizamiento, ya que esto podría causar daños en la hoja. Nunca lleve la herramienta por el cordón ni por el mango con interruptor de alimentación del ensamblaje del cabezal. Los daños al aislamiento podrían causar una descarga eléctrica. Los daños a las conexiones de los cables podrían causar un incendio.

Su nueva sierra para cortar ingletes modelo 4410 se envía completa en una caja. Pero usted tendrá que hacer algunos ajustes y alineaciones antes de cortar piezas de trabajo finales.

Separe todas las piezas de los materiales de empaquetamiento y compruebe cada una de ellas usando la "Lista de comprobación de las piezas sueltas" para asegurarse de que no falte ningún artículo antes de tirar cualquier material de empaquetamiento.

Lista de comprobación de las piezas sueltas:

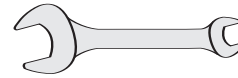
- Abrazadera de acción rápida** (artículo No. 25 en la página 8)
- Codo para polvo/bolsa para polvo** (artículo No. 42 en la página 46)
- Herramienta universal** (vea más adelante)
- Pomo de fijación de inglete** (artículo No. 13 en la página 46)
- Llave hexagonal en "L" de 1.5 mm** (vea más adelante)
- Llave hexagonal en "L" de 3 mm** (vea más adelante)
- Llave de tuercas de combinación de boca abierta de 10 mm/17 mm** (vea más adelante)
- Láser para el eje portaherramienta / 3 baterías / Manual del láser para el eje portaherramienta**

ADVERTENCIA Si falta alguna pieza, no enchufe el cordón de energía ni ponga el interruptor en la posición de encendido hasta que las piezas que faltan se hayan obtenido e instalado correctamente.

Herramientas necesarias para el ensamblaje y la alineación



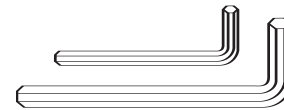
Herramienta universal con broca (4 mm/Phillips No. 2)
(suministrada, almacenada en la base trasera derecha)



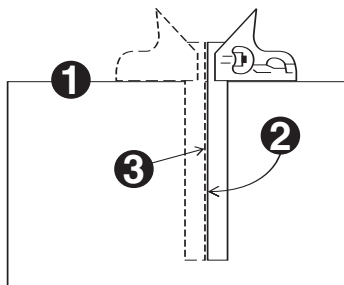
Llave de tuercas de combinación de boca abierta de 10 mm/17 mm
(suministrada, vea la figura que aparece más adelante)



Escuadra de combinación (no incluida)



Llave hexagonal en "L" de 1.5 mm y 3 mm
(suministrada, vea la figura que aparece más adelante)

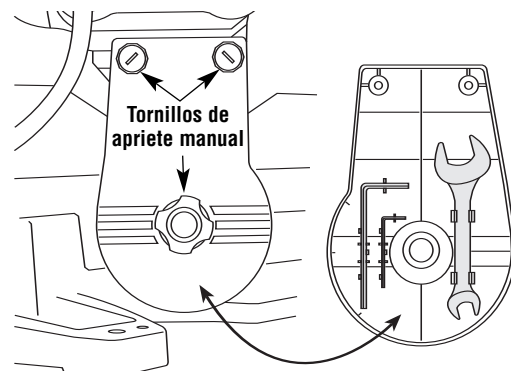


La escuadra de combinación debe estar alineada

1. Utilice el borde recto de una tabla de 3/4" de grosor (este borde debe ser perfectamente recto).
2. Trace una línea en la tabla a lo largo del borde.
3. No debe haber holgura ni superposición cuando se voltee la escuadra sobre la posición marcada con una línea de puntos.

Almacenamiento de herramientas en la cubierta trasera

La llave de tuercas de boca abierta y las llaves hexagonales se almacenan en la cubierta trasera interior de la sierra. Para quitar la cubierta, desenrosque los dos tornillos superiores de apriete manual y el tornillo central de apriete manual.



Ensamblaje

Instalación y remoción de la hoja

⚠ ADVERTENCIA Desconecte el enchufe de la fuente de energía antes de realizar cualquier ensamblaje, ajuste o reparación, para evitar posibles lesiones.

1. La sierra para cortar ingletes está equipada con un pasador de fijación que se utiliza para fijar la sierra para cortar ingletes en la posición bajada. Para soltar la sierra, empuje el mango ligeramente hacia abajo, tire del pasador de fijación hasta su posición completamente hacia afuera y gírelo 90°.

NOTA: Si hay dificultades para tirar del pasador de fijación hacia afuera, es posible que haya que ajustar el perno de tope de profundidad para que el mango se pueda empujar hacia abajo.

2. Afloje pero no quite los dos tornillos de la placa de cubierta (delantero y trasero) (Figura 1).

3. Suba el protector inferior y la placa de cubierta de manera que el perno de la hoja quede al descubierto (Figura 1).

4. Quite el perno de la hoja oprimiendo el cierre del eje portaherramienta (artículo No. 40 en la página 9) mientras gira el perno en el sentido de las agujas del reloj utilizando la herramienta universal.

NOTA: El perno de la hoja es de rosca a izquierdas.

5. Quite el perno de la hoja, la arandela exterior y la hoja. No quite la arandela interior (Figura 2).

6. Instale la hoja de 10" en el eje portaherramienta (Figura 3).

NOTA: Asegúrese de que la flecha de rotación ubicada en la hoja coincida con la flecha de rotación en el sentido de las agujas del reloj ubicada en el protector inferior.

⚠ ADVERTENCIA Para evitar lesiones, no utilice una hoja cuyo diámetro sea superior o inferior a 10" ni que sea para un eje portaherramienta de más o menos de 5/8". Las hojas más pequeñas no cortarán la pieza de trabajo atravesándola por completo y las hojas más grandes cortarán la mesa y/o los protectores de la hoja.

7. Coloque de nuevo la arandela exterior en su orientación apropiada y apriete con los dedos el perno de la hoja.

8. Oprima el cierre del eje portaherramienta y apriete firmemente el perno de la hoja, pero no lo apriete excesivamente.

9. Gire la placa de cubierta hasta su posición original y apriete ambos tornillos de la placa de cubierta.

⚠ ADVERTENCIA No utilice nunca la sierra sin la placa de cubierta sujeta firmemente en su sitio. El protector inferior no funcionará apropiadamente.

10. Asegúrese de que el cierre del eje portaherramienta esté suelto para que la hoja gire libremente.

Después de instalar una hoja nueva, asegúrese de que la hoja no interfiera con el accesorio de inserción de la mesa en las posiciones de bisel de 0° y 45°. Baje la hoja hasta el interior de la ranura de la mesa y compruebe si hay contacto con la base o la estructura de la mesa giratoria. Si la hoja hace contacto con la base o con la mesa, obtenga servicio autorizado.

⚠ ADVERTENCIA interfiera con el accesorio de inserción de la mesa en las posiciones de bisel de 0° y 45°. Baje la hoja hasta el interior de la ranura de la mesa y compruebe si hay contacto con la base o la estructura de la mesa giratoria. Si la hoja hace contacto con la base o con la mesa, obtenga servicio autorizado.

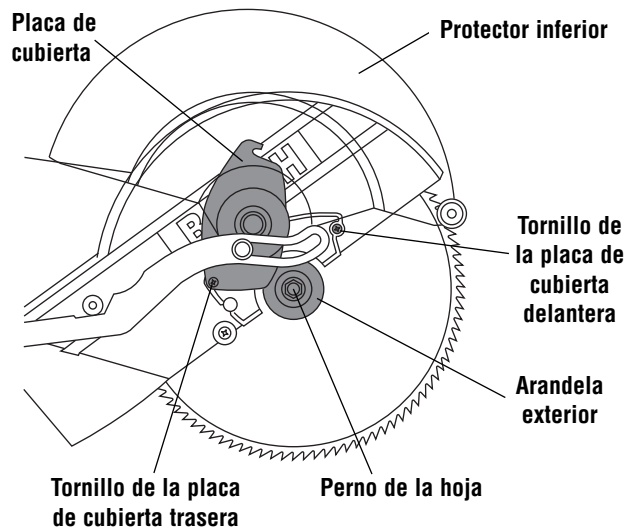


Figura 1. Remoción de la hoja

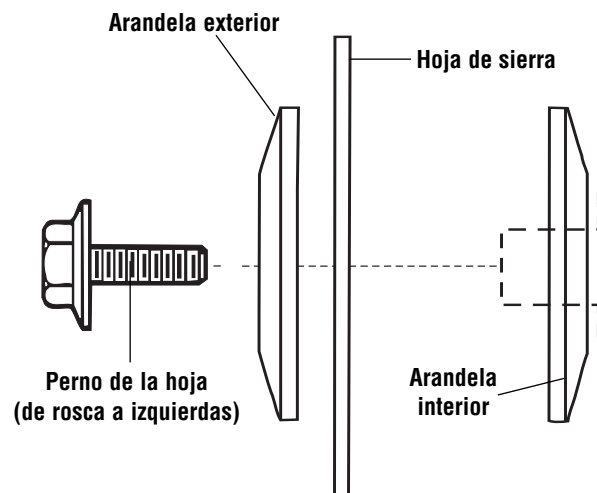


Figura 2. Herrajes de la hoja

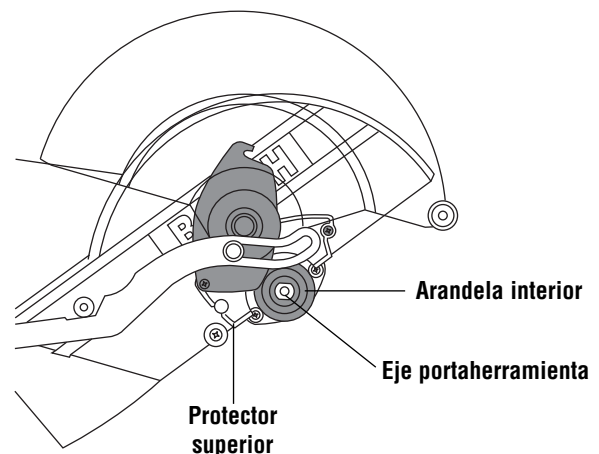
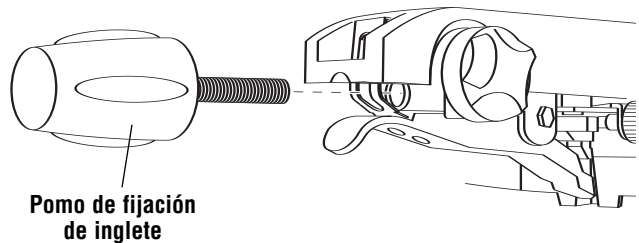


Figura 3. Instalación de la hoja

Ensamblaje

Colocación del pomo de fijación de inglete

Localice el pomo de fijación del calibre de ingletes entre las piezas sueltas y enrosque el eje en el ensamblaje de retenes de inglete, de la manera que se muestra en la ilustración.



Ensamblaje del codo para polvo y la bolsa para polvo

1. Con el brazo de inglete fijado en la posición hacia abajo, empuje el codo para polvo encima de la orificio para polvo. Empuje la bolsa para polvo sobre el codo y gírelos hasta la posición deseada.
2. Posicione el codo/la bolsa para polvo de modo que no interfiera con la herramienta durante la operación de corte para todas las posiciones de inglete/bisel. Asegúrese de que la bolsa para polvo no interfiera con los rieles de deslizamiento durante el corte deslizante.
3. Hay que vaciar la bolsa para polvo cuando esté llena de serrín. Vacíela frecuentemente y después de terminar de aserrar. Quite cuidadosamente la bolsa para polvo del codo para polvo. Vacíe la bolsa para polvo en un cubo de basura adecuado abriendo la cremallera de la bolsa. Tenga mucho cuidado con el polvo que se tire, ya que los materiales en forma de partículas finas pueden ser explosivos. No tire el serrín a un fuego abierto. Al cabo del tiempo se puede producir una combustión espontánea como consecuencia de la mezcla de aceite o agua con las partículas de polvo.

NOTA: La boquilla para polvo acepta el adaptador de manguera de aspiración Bosch VAC004, que permite la conexión a una manguera de aspiración Bosch de 35 mm.

⚠ ADVERTENCIA Al aserrar madera tratada químicamente a presión, pintura que pueda estar basada en plomo o cualquier otro material que pueda contener carcinógenos, tome precauciones especiales. Todo el personal que entre en el área de trabajo debe usar un aparato de respiración adecuado. El área de trabajo debe cerrarse con cubiertas colgantes de plástico y debe mantenerse fuera a las personas no protegidas hasta que el área de trabajo esté bien limpia.

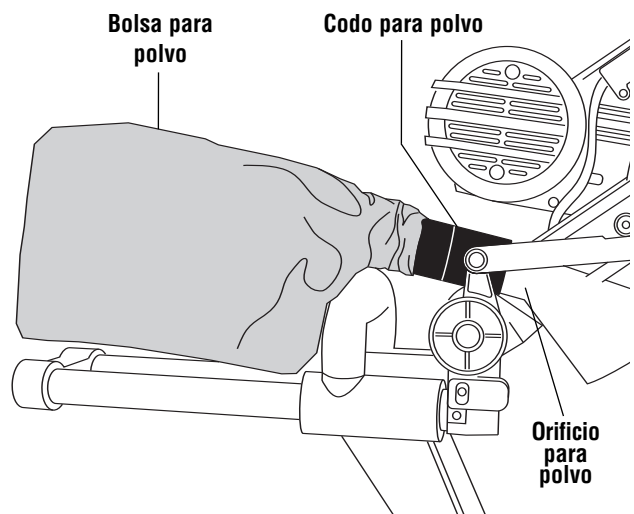


Figura: Bolsa y codo para polvo

Ajustes

⚠ ADVERTENCIA Desconecte el enchufe de la fuente de energía antes de realizar cualquier ensamblaje, ajuste o reparación, para evitar posibles lesiones.

NOTA: La sierra para cortar ingletes se ajustó completamente en la fábrica. Sin embargo, durante el transporte se puede haber producido una ligera desalineación. Compruebe los siguientes ajustes y haga ajustes si es necesario antes de utilizar esta sierra para cortar ingletes.

Comprobación del ajuste de bisel a 0°

1. Baje el ensamblaje del cabezal y acople el pasador de fijación del ensamblaje del cabezal.
2. Deslice el ensamblaje del cabezal completamente hacia atrás y apriete el pomo de fijación de los rieles.
3. Gire la mesa hasta la posición de inglete de 0°.
4. Tire hacia arriba de la palanca de fijación de bisel para desbloquear el bisel.
5. Compruebe la posición de la perilla selectora de intervalo de bisel. Debe estar en la posición de 0°-45°.
6. Inclíne el ensamblaje de la sierra hacia la izquierda y luego gire el ensamblaje de la sierra hacia la derecha hasta que sienta el tope en la posición vertical. Ésta es la posición donde la sierra está ajustada actualmente para el corte de bisel de 0°.

Utilice una escuadra de combinación para comprobar la perpendicularidad de la hoja respecto a la mesa. Coloque la escuadra sobre la mesa y presiónela contra la hoja. Si la hoja no hace contacto con toda la longitud de la escuadra (Figura 1), siga el procedimiento de calibración.

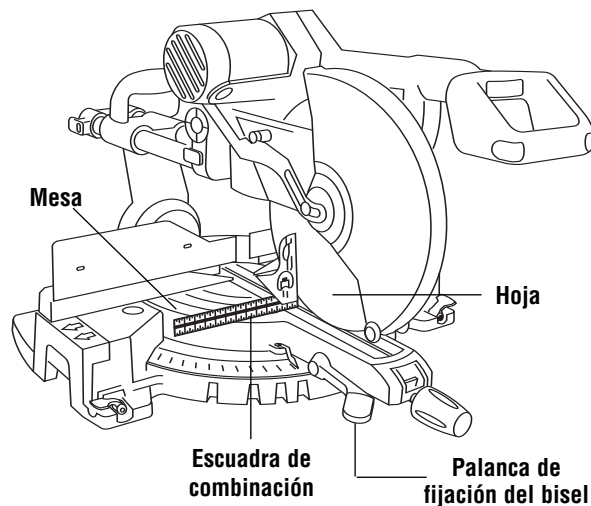


Figura 1. Hoja en ángulo recto con la mesa

Calibración de la hoja a 0° (90° grados respecto a la mesa)

NOTA: La calibración del ajuste de bisel también calibra automáticamente los topes de 33.9°.

1. Quite la cubierta trasera para dejar los pernos al descubierto.
2. Suba la palanca de fijación de bisel para soltar el cierre de bisel.
3. Afloje las cabezas de perno "A" y "B" con la llave de tuercas de boca abierta de 10 mm al menos una vuelta completa (Figura 2).
4. Coloque la broca de la llave Allen de 4 mm en la herramienta universal y afloje el tornillo de ajuste "D" al menos 3 vueltas completas (Figura 2).
5. Coloque la escuadra de combinación sobre la mesa y contra la hoja (vea la Figura 1).
6. Mientras gira la cabeza de perno "C", observe la inclinación de la hoja de la sierra hasta que la hoja esté alineada con la escuadra de combinación.
7. Apriete el tornillo de ajuste "D".
8. Apriete las cabezas de perno de 10 mm "A" y "B".
9. Compruebe y ajuste los indicadores de bisel a 0 grados en cada lado de la escala de bisel.
10. Empuje hacia abajo la palanca de fijación de bisel hasta que sienta que la palanca se acopla a presión en la posición bloqueada.

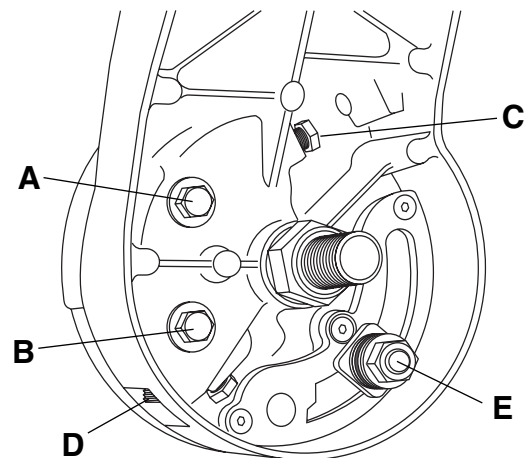


Figura 2. Calibración de la hoja a 0 grados (en ángulo recto con la mesa)

Ajustes

⚠ ADVERTENCIA Desconecte el enchufe de la fuente de energía antes de realizar cualquier ensamblaje, ajuste o reparación, para evitar posibles lesiones.

Comprobación del tope de bisel de 45° a la derecha

1. Baje el ensamblaje del cabezal y acople el pasador de fijación del ensamblaje del cabezal.
2. Deslice el ensamblaje del cabezal completamente hacia atrás y apriete el pomo de fijación de los rieles.
3. Gire la mesa hasta la posición de inglete de 0°.
4. Tire hacia arriba de la palanca de fijación de bisel para desbloquear el bisel.
5. Mueva la perilla selectora de intervalo de biselés hasta la posición de "0°-45° a la derecha" (consulte la página 66).
6. Incline el ensamblaje de la sierra hacia la derecha hasta que sienta el tope en la posición de 45° a la derecha. Ésta es la posición donde la sierra está ajustada actualmente para el corte de bisel a 45° a la derecha.
7. Utilice una escuadra de combinación para comprobar la hoja en el tope de 45°. Coloque la cabeza de la escuadra de combinación sobre la mesa y presione su superficie de 45° contra la hoja. Si la hoja no hace contacto con toda la longitud de la escuadra (Figura 1), siga el procedimiento de calibración.

Calibración del tope de bisel de 45° a la derecha

1. Suba la palanca de fijación de bisel para soltar el cierre de bisel.
2. Incline la sierra hasta la posición de bisel a 45° a la derecha.
3. Posicione la escuadra de combinación con la superficie de 45° contra la hoja. (Figura 1)
4. Introduzca la llave en "L" de 3 mm en el agujero del armazón de soporte vertical. (Figura 2)
5. Gire la llave en "L" mientras observa la hoja contra la escuadra de combinación hasta que la hoja coincida con la superficie de 45°.
6. Ajuste el indicador de bisel en la línea de 45° de la escala de bisel.

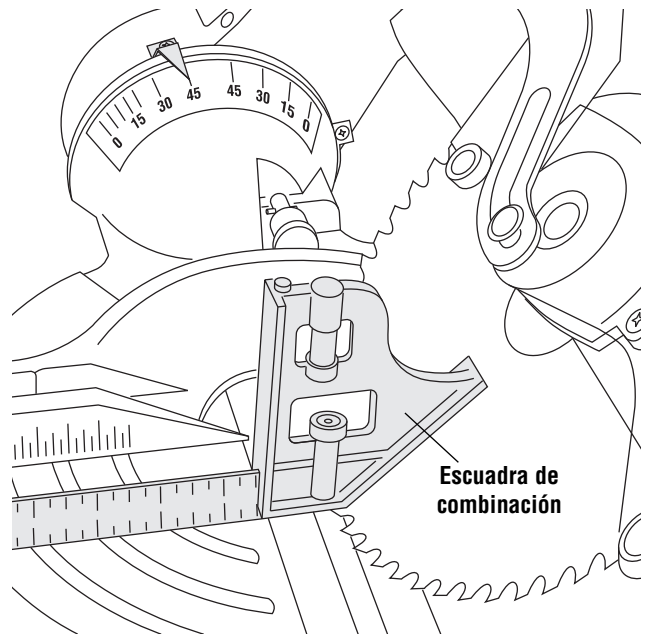


Figure 1. Comprobación del tope de bisel de 45° a la derecha

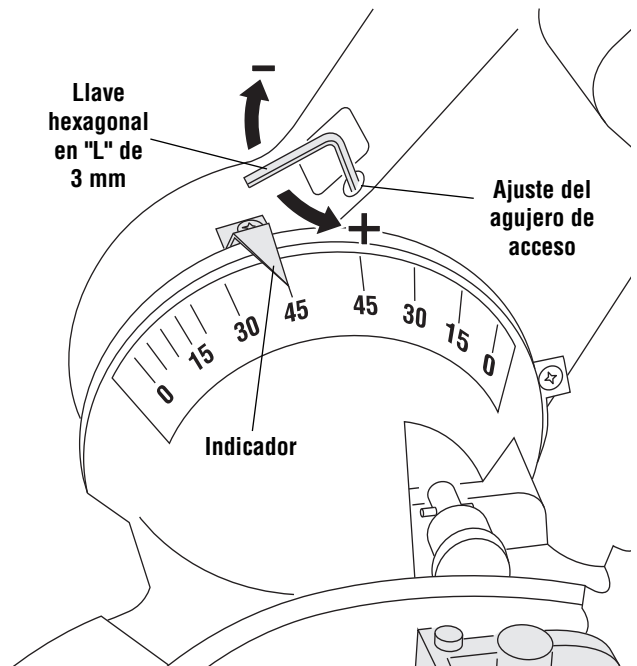


Figure 2. Calibración del tope de bisel de 45° a la derecha

Comprobación del tope de bisel de 45° a la izquierda

1. Baje el ensamblaje del cabezal y acople el pasador de fijación del ensamblaje del cabezal.
2. Deslice el ensamblaje del cabezal completamente hacia atrás y apriete el pomo de fijación de los rieles.
3. Gire la mesa hasta la posición de inglete de 0°.
4. Tire hacia arriba de la palanca de fijación de bisel para desbloquear el bisel.
5. Mueva la perilla selectora de intervalo de biselés hasta la posición de 0°-45° (consulte la página 66).
6. Incline el ensamblaje de la sierra hacia la izquierda y luego gire el ensamblaje de la sierra hacia la derecha hasta que sienta el tope en la posición de 45° a la izquierda. Ésta es la posición donde la sierra está ajustada actualmente para el corte de bisel a 45° a la izquierda.
7. Utilice la cabeza (quite la regla) de una escuadra de combinación para comprobar la hoja en el tope de 45°. Coloque la cabeza de la escuadra de combinación sobre la mesa y presione su superficie de 45° contra la hoja. Si la hoja no hace contacto con toda la longitud de la escuadra (Figura 1), siga el procedimiento de calibración.

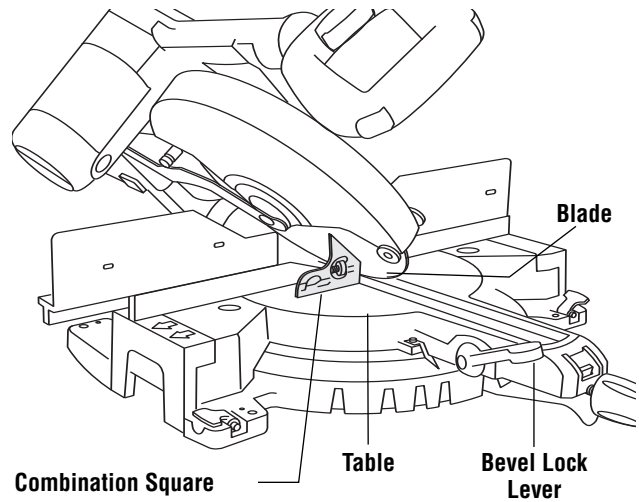


Figure 1. Comprobación del tope de bisel de 45° a la izquierda

Calibración del tope de bisel de 45° a la izquierda

1. Quite la cubierta trasera para dejar los pernos al descubierto.
2. Suba la palanca de fijación de bisel para soltar el cierre de bisel.
3. Incline la sierra hasta la posición de bisel a 45° a la izquierda.
4. Quite la regla de la escuadra de combinación y posicione la escuadra con la superficie de 45° contra la hoja. (Figura 1)
5. Coloque la llave de tuercas de boca abierta de 10 mm en la cabeza de perno "F". Mientras gira el perno "F", observe el movimiento de inclinación de la hoja hasta que ésta esté alineada con la superficie de 45° de la escuadra de combinación. (Figura 2)
6. Ajuste el indicador de bisel en la línea de 45° de la escala de bisel.

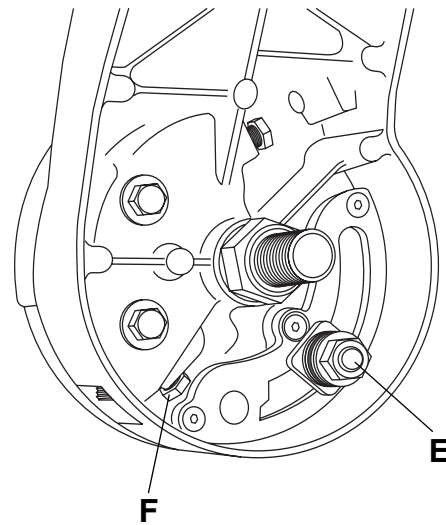


Figure 2. Calibración del tope de bisel de 45° a la izquierda

Ajuste de la tensión de la palanca de fijación de bisel

1. Suba la palanca de fijación de bisel para soltar el cierre de bisel.
2. Coloque la llave de tuercas plana de boca abierta de 17 mm en la cabeza de perno "E" (Figura 2).
3. Gire la tuerca "E" en el sentido de las agujas del reloj 1/8 de vuelta para apretar la tensión del cierre de bisel o gírela en sentido contrario al de las agujas del reloj hasta 1/8 de vuelta para aflojar la tensión del cierre de bisel.
4. Empuje hacia abajo la palanca de fijación de bisel hasta que sienta que la palanca se acopla a presión en la posición bloqueada.
5. Verifique que la tensión del cierre de bisel sujeta con seguridad la posición de bisel y que también permite que la palanca de fijación de bisel se fije hacia abajo hasta el punto en que se sienta un tope firme.
6. Si es necesario, repita los pasos 1 a 5 para ajustar la tensión.

Ajustes

Desconecte el enchufe de la fuente de energía antes de realizar cualquier ensamblaje, ajuste o reparación, para evitar posibles lesiones.

Hoja en ángulo recto con el tope-guía

1. Deslice la sierra hacia delante para que la hoja esté cerca del centro de la mesa y apriete el pomo de fijación de los rieles de deslizamiento.
2. Baje el ensamblaje del cabezal y acople el pasador de fijación del ensamblaje del cabezal.
3. Ajuste la mesa en la posición de inglete de 0° y apriete el pomo de fijación de inglete.
4. Coloque la escuadra de combinación contra el tope-guía con la regla de la escuadra paralela a la hoja. La regla debe hacer contacto con la hoja, pero no con los dientes de la hoja. Si la hoja no está en ángulo recto contra la regla, siga el procedimiento de alineación del tope-guía. (Figura 1)
5. Afloje el pomo de fijación de los rieles y deslice el ensamblaje del cabezal hacia atrás para comprobar la perpendicularidad del corte deslizante completo contra la regla de la escuadra.

Alineación del tope-guía

- a. Quite ambos topes-guía aflojando el pomo del tope-guía, deslice el tope-guía hasta la posición completamente hacia adentro y tire hacia arriba del tope-guía.
- b. El ensamblaje del cabezal debe permanecer en la posición bajada.
- c. Afloje los cuatro (4) pernos hexagonales ubicados detrás del tope-guía, utilizando la llave universal (Figura 2).
- d. Ajuste el tope-guía hasta que la hoja y el tope-guía hagan contacto completo con la escuadra.
- e. Apriete los cuatro (4) pernos hexagonales.
- f. Vuelva a colocar el tope-guía deslizante.

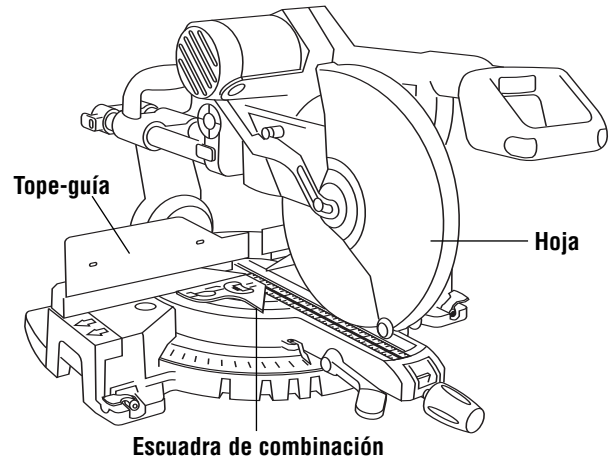


Figura 1. Hoja en ángulo recto con el tope-guía

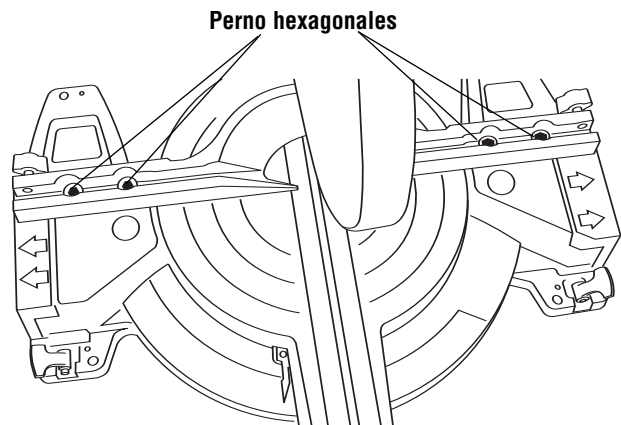


Figura 2. Ajuste del tope-guía

Ajuste del indicador de la escala de ingletes

1. Ajuste la mesa a la posición de inglete de 0° y apriete el pomo de fijación de inglete.
2. Suba el ensamblaje del cabezal hasta la posición completamente hacia arriba.
3. Afloje el tornillo Phillips que sujeta el indicador en su sitio.
4. Posicione el indicador para alinearlos con la marca de inglete de 0° y apriete el tornillo.

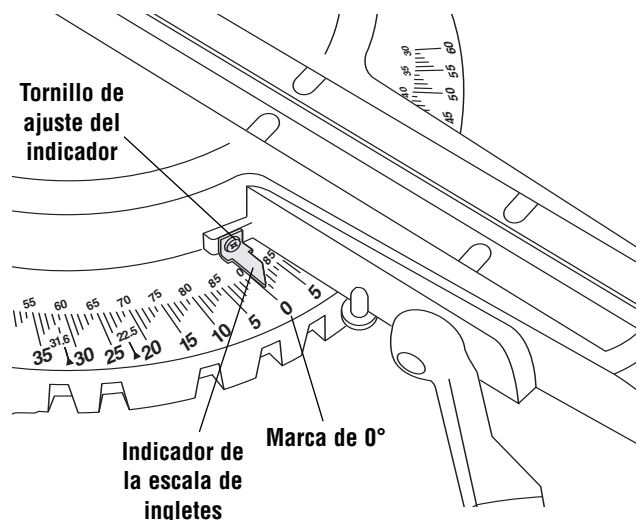


Figura: Ajuste de la escala de ingletes

Accesorio de inserción para la separación de corte

El accesorio de inserción para la separación de corte se puede ajustar cerca de la hoja, pero sin tocarla, para evitar que se produzcan desgarrones en la parte inferior de la pieza de trabajo.

1. Baje el ensamblaje del cabezal y fíjelo en esa posición.
2. Afloje los seis (6) tornillos del accesorio de inserción con la herramienta universal.
3. Ajuste los accesorios de inserción para la separación de corte tan cerca de (los dientes de) la hoja como sea posible sin tocar la hoja.
4. Apriete los tornillos del accesorio para la separación de corte.

NOTA: En ángulos de bisel extremos la hoja de sierra puede cortar ligeramente en el accesorio de inserción para la separación de corte.

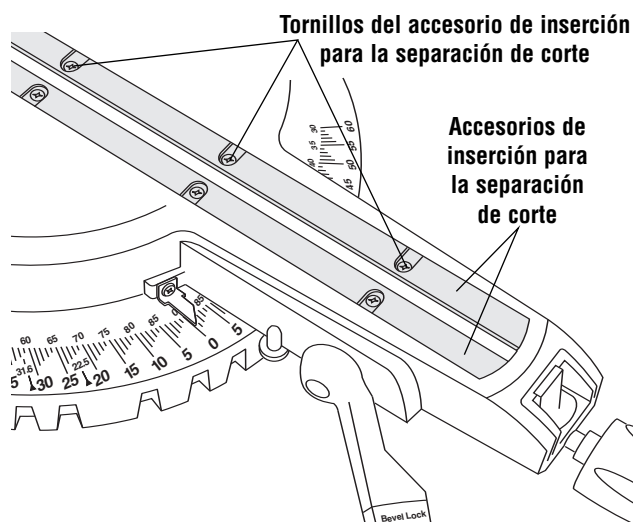


Figura: Accesorio de inserción para la separación de corte

Ajuste de la profundidad

- Cuando el diámetro de la hoja se haya reducido debido al afilamiento, puede que sea necesario ajustar el tope de profundidad. Cuando se instala una hoja nueva, es necesario comprobar el espacio libre entre la hoja y la estructura de la mesa giratoria.

Ajuste de la profundidad de la hoja para cortes normales completos

- El ajuste del tope de profundidad es un dispositivo que se usa al cortar ranuras en la pieza de trabajo. (Vea la página 68 para el corte de ranuras.)
1. Afloje y gire las dos contratuercas inferiores hasta que estén justo por encima del extremo roscado del perno de tope de profundidad.
 2. Oprima el botón de liberación del tope de profundidad y tire hacia arriba del perno de tope de profundidad hasta que la tuerca llegue al fondo de su marco de soporte.
 3. Ajuste la mesa a la posición de 0° de inglete. Empuje hacia abajo y deslice hacia atrás el cabezal de la sierra, hasta su posición totalmente retraída.
 4. Observando tanto la hoja como la esquina donde el tope-guía llega a la mesa, gire el perno de tope de profundidad para ajustar la profundidad de la hoja a aproximadamente 1/4 de pulgada bajo la superficie de la mesa.
 5. Afloje el cabezal de la sierra de modo que quede en la posición superior.
 6. Gire las dos contratuercas inferiores para que estén apretadas contra la parte inferior del armazón de soporte. Apriete las contratuercas una contra otra.
 7. Ensaye un corte deslizante (con la herramienta desconectada) para comprobar que la hoja no toque la mesa. Si no la alcanza a tocar, haga un corte de práctica (con la herramienta conectada) en madera de desperdicio para comprobar que el

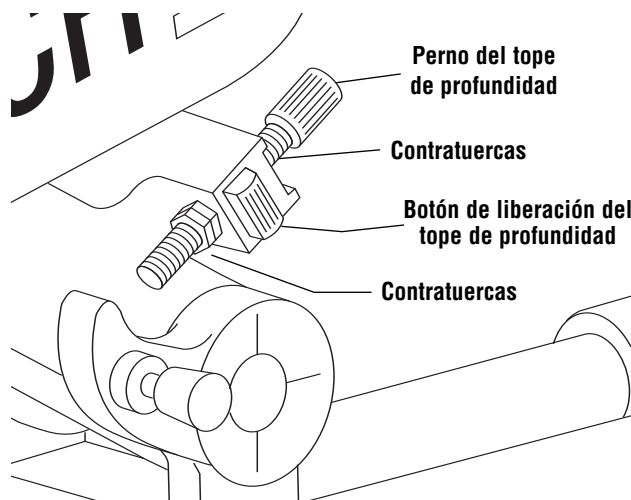


Figura: Ajuste de la profundidad

corte atraviese por completo la cara inferior delantera de la pieza.

PRECAUCIÓN No arranque la sierra para cortar ingletes sin comprobar si hay interferencia entre la hoja y la estructura de la mesa giratoria. La hoja podría arruinarse si corta en la estructura de la mesa.

Ajuste de la profundidad de la hoja para cortar ranuras

Se puede ajustar el tope de profundidad con facilidad para limitar la profundidad de corte, como cuando se hace una ranura.

(Consulte las instrucciones en la página 68).

Ajustes

⚠️ ADVERTENCIA Desconecte el enchufe de la fuente de energía antes de realizar cualquier ensamblaje, ajuste o reparación, para evitar posibles lesiones.

Ajuste de la acción de deslizamiento

1. Localice los 4 tornillos de ajuste (A, B, C y D) ubicados en carcasa de la guía de rieles (Figura 1).
2. Afloje la tuerca del tornillo de ajuste (A) con una llave de tuercas ajustable.
3. Apriete o afloje el tornillo de ajuste (A) con el extremo de 4 mm de la broca que está en la herramienta universal hasta que logre una holgura de deslizamiento mínima, a la vez que mantiene la fuerza de deslizamiento deseada.
4. Después de ajustar el tornillo de ajuste (A), sujete el tornillo de ajuste (A) con una llave Allen de 4 mm y apriete la tuerca con una llave de tuercas ajustable sin mover el tornillo de ajuste (Figura 2).
5. Complete los pasos 2 a 4 con los tornillos de ajuste restantes en el orden mostrado en la Figura 1.

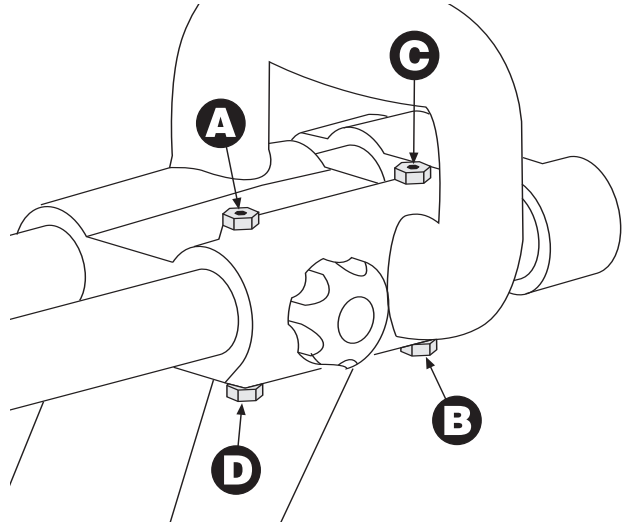


Figure 1. tornillos de ajuste

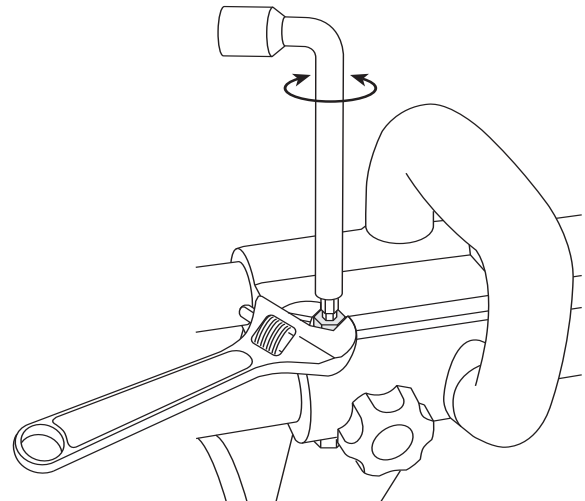


Figure 2. Apriete o afloje el tornillo de ajuste

Transporte, colocación y montaje

⚠️ ADVERTENCIA Para evitar lesiones, siga siempre las instrucciones siguientes:

- Desenchufe el cordón eléctrico. Antes de transportar la sierra, gire el ensamblaje del cabezal y fije el conjunto en la inclinación de 60° a la derecha, asegure el retén, deslice el conjunto del cabezal a la mitad de su riel, apriete el pomo de fijación de rieles y fije el ensamblaje del cabezal en la posición inferior.

Cómo levantar la sierra

- Para evitar lesiones en la espalda, sujete la herramienta cerca del cuerpo cuando la levante. Doble las rodillas para poder levantar la herramienta haciendo fuerza con las piernas, no con la espalda.
- Levante la herramienta usando los mangos de transporte fundidos que se encuentran a los lados de la parte inferior de la base.
- Otra forma de levantarla: cuando levante la herramienta del suelo, use los mangos trasero y delantero de transporte (arriba del protector).

- **Nunca transporte la herramienta levantándola por los rieles laterales, porque puede dañar la hoja.**
- **Nunca lleve la herramienta tomándola del mango del interruptor. Esto podría ocasionar graves daños.**
- Nunca lleve la sierra para cortar ingletes por el cordón de energía ni por el mango operativo. El intentar levantar o llevar la herramienta por el cordón de energía dañará el aislamiento y las conexiones de los cables, dando como resultado sacudidas eléctricas o incendio.
- Fíjese en la posición de la sierra. Las personas que se encuentren detrás de ella podrían resultar lesionadas por residuos que salgan despedidos.
- Coloque la sierra sobre una superficie firme y nivelada, donde haya suficiente espacio para manejar y soportar adecuadamente la pieza de trabajo.
- Atornille, clave o fije con abrazaderas la sierra a su soporte.

⚠️ PRECAUCIÓN Tenga cuidado de no clavar demasiado el clavo ni girar demasiado el perno. Esto podría agrietar el pie o dañar la base.

Aplicaciones de montaje

Banco de trabajo

Monte la sierra en el banco de trabajo usando los cuatro agujeros para tornillos (5/16") o los cuatro agujeros para clavos. Compruebe el espacio libre a la izquierda y a la derecha de la sierra.

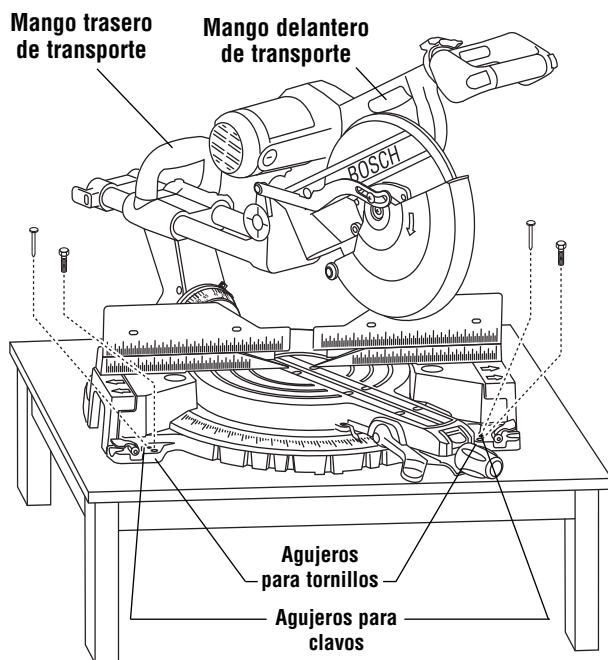


Figura: Montaje en un banco de trabajo

1. Cada uno de los cuatro agujeros de montaje debe atornillarse firmemente usando tornillos de 5/16", arandelas de seguridad y tuercas hexagonales (no se incluyen).
2. Localice y marque donde se va a montar la sierra.
3. Haga cuatro (4) agujeros de 5/16" de diámetro a través del banco de trabajo.
4. Coloque la sierra para cortar ingletes sobre el banco de trabajo alineando los agujeros de la base con los agujeros hechos en el banco de trabajo. Instale los tornillos, las arandelas de seguridad y las tuercas hexagonales. Como alternativa, puede montar la sierra con tornillos para madera, en los cuatro agujeros para clavos.

La superficie de soporte donde se va a montar la sierra se debe examinar cuidadosamente después de montarla para asegurarse de que no se pueda producir ningún movimiento durante la utilización. Si se observa alguna inclinación o desplazamiento, fije el banco de trabajo o la base para la herramienta antes de utilizar la sierra para cortar ingletes compuestos.

Montaje de la sierra

Montaje portátil utilizando abrazaderas

Si es necesario, sujete con abrazaderas la sierra para cortar ingletes a un banco de trabajo o un tablero de mesa colocando dos (2) o más abrazaderas en "C" en las áreas de sujeción y sujetando la sierra firmemente con ellas.

NOTA: Tenga cuidado de no colocar las abrazaderas sobre las palancas de sujeción de la extensión de la base.

El montaje con abrazaderas impedirá el acceso a algunos ángulos de inglete más anchos.

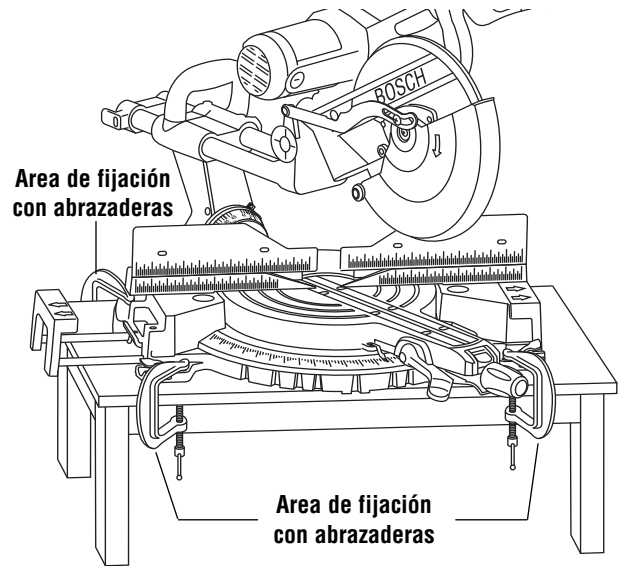


Figura: Montaje portátil usando abrazaderas

Ajuste del mango interruptor de cuatro posiciones

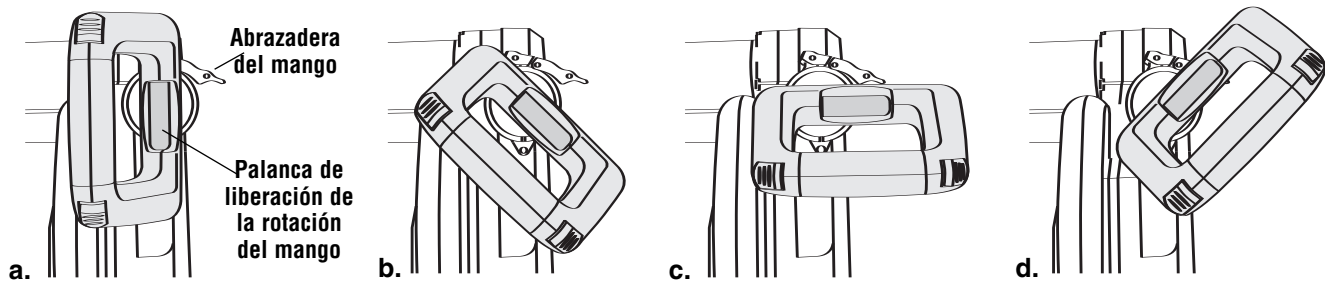


Figura: Ajuste de la posición del mango principal

Ajuste del mango principal en la posición deseada

El mango interruptor se puede colocar en cualquiera de cuatro orientaciones distintas, dependiendo del corte que se haga y de la preferencia del usuario.

- vertical
- horizontal
- 45° a la izquierda
- 45° a la derecha

Para cambiar la posición del mango principal:

1. Suelte la abrazadera del mango.
2. Tire de la palanca de liberación de la rotación del mango y manténgala sujeta.
3. Gire el mango a la posición que desee.
4. Suelte la palanca de liberación para que el mango quede en su lugar. La palanca de liberación sólo se retrae en una de las cuatro (4) posiciones.

Nota: El interruptor de corriente no funciona a menos que la palanca de liberación esté retraída. No trate de encender la herramienta en la posición intermedia del mango, porque la puede dañar.

5. Fije la abrazadera del mango.

Ajuste de la tensión de la abrazadera del mango de cuatro posiciones

1. Abra la abrazadera del mango.
2. Utilice una llave Allen de 1.5 mm para aumentar la tensión, girando 1/4 de vuelta los dos tornillos de ajuste hacia la izquierda; apriete girando a la derecha. Siempre ajuste los dos tornillos de ajuste a la misma tensión. Always adjust both setscrews by the same amount.
3. Cierre la abrazadera del mango.
4. Compruebe la tensión.

Operaciones básicas de la sierra

Posición del cuerpo y de las manos

ADVERTENCIA Posicione el cuerpo y las manos de modo adecuado para hacer que las operaciones de corte sean más fáciles y seguras. Siga las instrucciones siguientes (Figura 1).

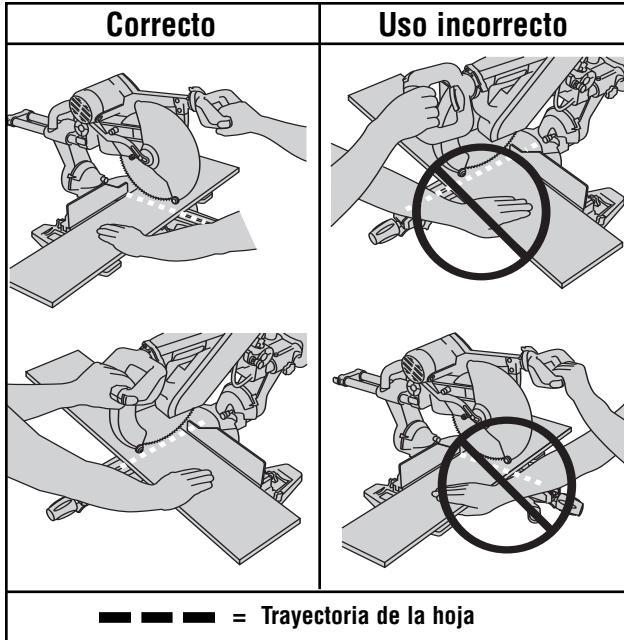


Figura 1. Posiciones de las manos

- Nunca ponga las manos cerca del área de corte. Mantenga las manos y los brazos fuera de la "Zona de no tocar con la mano".
- La "Zona de no tocar con la mano" se define como el área de toda la mesa, más la parte fija de la base al lado derecho e izquierdo de la mesa, y las partes del tope-guía dentro de estos límites. Esta zona tiene símbolos alusivos en la base fija.
- Tenga en cuenta la trayectoria de la hoja. Haga una prueba con la sierra APAGADA, haciendo un ciclo simulado de corte y observe la trayectoria de la hoja. Mantenga las manos fuera de la trayectoria de la hoja.

PRUEBA – Es importante saber dónde se van a intersectar la hoja y la pieza en las operaciones de corte. Haga siempre la secuencia simulada de corte con la herramienta APAGADA, para comprender la trayectoria proyectada de la hoja. Tenga en cuenta mentalmente dónde cae la trayectoria de la sierra, y sostenga su pieza manteniendo sus manos y brazos fuera de la trayectoria de la hoja giratoria. Ajuste las abrazaderas y tope-guía de modo que no interfieran con el protector inferior ni la acción de corte durante la operación.

- Sujete firmemente la pieza de trabajo contra la mesa y el tope-guía, para evitar que se mueva.
- Mantenga las manos en su sitio hasta que se haya soltado el gatillo y la hoja se haya detenido completamente.

- Nunca ponga las manos en los rieles de deslizamiento.
- Mantenga los pies firmemente en el piso y mantenga un equilibrio adecuado.
- Siga el brazo de inglete al ingletear a la izquierda o a la derecha. Sitúese ligeramente a un lado de la hoja de sierra.

ADVERTENCIA Puede que el protector inferior no se abra automáticamente en ciertas condiciones de corte. Por ejemplo, cuando trate de cortar piezas que estén cerca de la altura máxima de corte. En estas condiciones o durante el movimiento de deslizamiento del corte, la pieza de trabajo puede detener el movimiento del protector inferior antes de que el movimiento hacia abajo del brazo pueda preabrir el protector inferior.

Si esto sucede:

- La pieza de trabajo debe sujetarse firmemente con abrazaderas. Esto deja libre una mano para subir el protector por el reborde justo lo suficiente para que no toque la pieza de trabajo (Figura 2).
- Arranque la sierra y comience el corte.
- Una vez que haya despejado la posición donde el protector inferior podría atascarse, suelte el protector y éste continuará subiendo automáticamente a medida que usted corte.

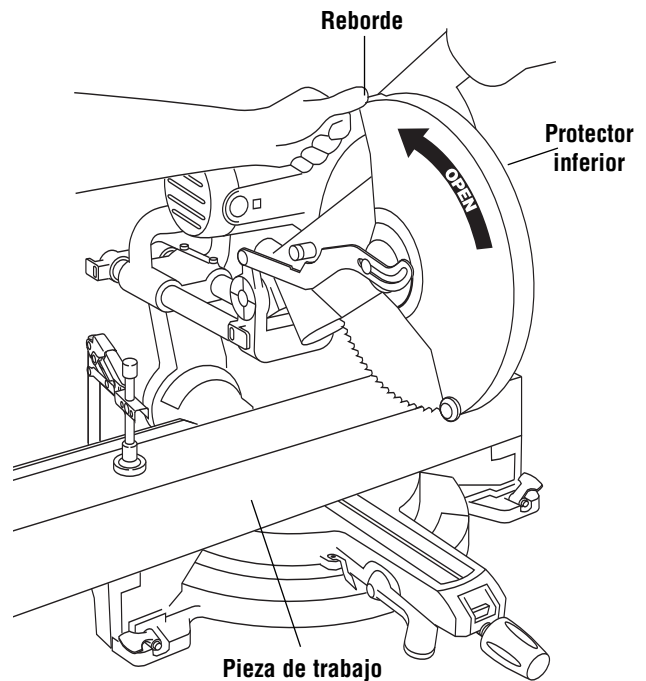


Figura 2. Subida del protector inferior

Operaciones básicas de la sierra

Soporte de la pieza de trabajo

ADVERTENCIA Las piezas de trabajo largas tienen tendencia a voltearse, a menos que estén sujetas con abrazaderas y soportadas completamente a lo largo de toda su longitud.

Abrazaderas

Abrazadera de acción rápida – Esta abrazadera asegura fácilmente una pieza de trabajo en cualquiera de los dos (2) agujeros de sujeción detrás del tope-guía (Figura 1).

- Un mínimo de 1/2" de estría debe acoplarse en el poste de la abrazadera para ser efectiva.
- Ajuste el tornillo si es necesario para no tocar el tope-guía o para grandes diferencias en la altura de la madera.
- Con la abrazadera en la posición abierta (con la palanca subida), introduzca la abrazadera en el poste de la abrazadera hasta que el pie de goma entre en contacto con el material.
- Presione hacia abajo sobre la palanca para apretar la abrazadera.
- Mueva el ensamblaje del cabezal para comprobar el espacio libre con la abrazadera.
- Tire de la palanca hacia arriba para soltar la abrazadera.

ADVERTENCIA Es posible que haya cortes compuestos extremos en que no se pueda usar una abrazadera. Sujete la pieza de trabajo con la mano fuera de la "Zona de no tocar con la mano". **No intente cortar piezas cortas** que no se puedan fijar con una abrazadera y que puedan hacer que la mano quede dentro de la "Zona de no tocar con la mano".

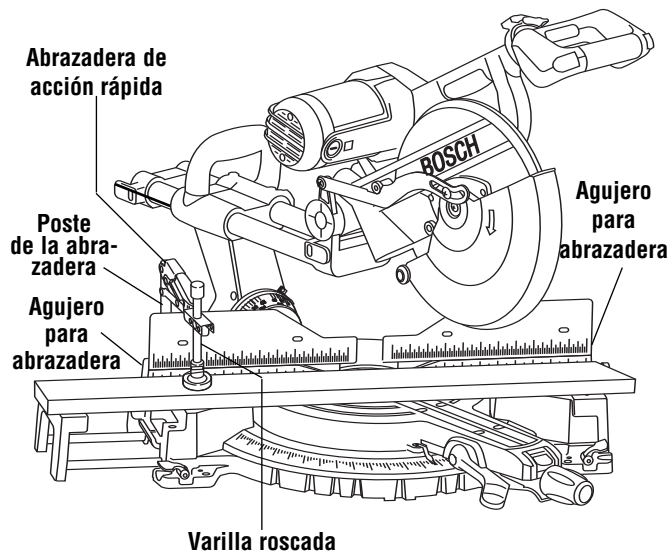


Figura 1. Abrazadera para la pieza de trabajo

Abrazadera horizontal – La abrazadera horizontal y tope de techo opcional MS 1221 se puede montar a cada lado de la herramienta y sujeta firmemente la pieza de trabajo contra el tope-guía.

Las abrazaderas convencionales y otros dispositivos de sujeción se pueden usar para sujetar las piezas de trabajo firmemente contra la mesa y el tope-guía.

Soporte de piezas de trabajo largas

Las piezas de trabajo largas necesitan soporte adicional.

Extensiones de la base deslizantes – Estas extensiones proporcionan soporte adicional a la pieza de trabajo y son sumamente útiles cuando se cortan piezas largas. Para posicionar las extensiones sólo suelte las palancas de sujeción de las extensiones de la base, ajuste las extensiones y vuelva a fijar las palancas (Figura 2). (También vea tope de longitud en la página 68.)

Varillas extra largas para extensiones de la base – El juego de extensiones de la base MS1229, optativo, permite extender las extensiones de la base 4410 hasta 50-1/2 pulgadas. Aun después de instalar estas varillas más largas en la 4410, las extensiones de la base se pueden retraer por completo para su transporte y almacenamiento.

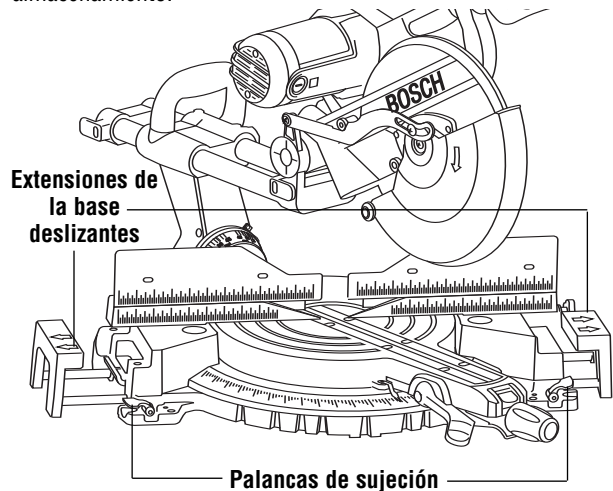


Figura 2. Extensiones de la base deslizantes

Bloques: La altura de la base (3-3/4") está diseñada para coincidir con la madera estándar de dos bloques de 2x4 y uno de 1x4. Se pueden usar tablas de estos grosores para crear extensiones de soporte auxiliar para piezas de trabajo largas (Figura 3).

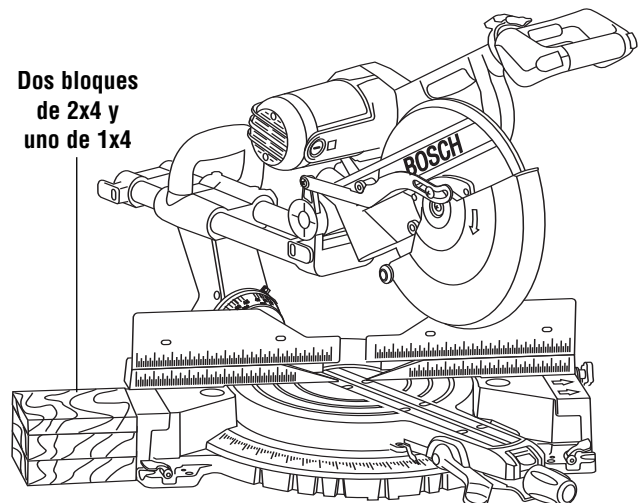


Figura 3. Soporte con bloques

Tope-guía auxiliar

Ciertos tipos de moldura necesitan una extensión de la cara del tope-guía debido al tamaño y la posición de la pieza de trabajo. El tope-guía cuenta con agujeros para sujetar un tope-guía auxiliar. El tope-guía auxiliar se usa con la sierra en la posición de bisel de 0° solamente.

1. Coloque un pedazo de madera contra el tope-guía de la sierra para cortar ingletes. (La madera puede tener una altura máxima de 4-1/2". Compruebe que el ensamblaje del cabezal no interfiera con el tope-guía auxiliar.)

Para cortar molduras sin producir astillas, fije un tope-guía auxiliar de una pieza de madera y a continuación córtelo con la sierra para cortar ingletes.

2. Marque las ubicaciones de los agujeros de soporte en la madera desde el lado posterior del tope-guía.
3. Taladre y avellane los agujeros en la parte delantera de la tabla de soporte.
4. Fije cada tope-guía auxiliar con dos (2) tornillos de máquina, de cabeza plana, de 3/16" de pulgada. Con topes-guía auxiliares de 3/4" de pulgada, use tornillos de 1-1/2" pulgada de longitud. Asegúrelos detrás del tope-guía metálico con arandelas y tuercas de máquina.

Alternativa: Para el tope-guía auxiliar de 3/4" de pulgada, use tornillos de madera de cabeza redonda de 1/4" de pulgada por 3/4" de pulgada de longitud. Perfore cuatro (4) agujeros piloto menores de 1/4" de pulgada a través del tope-guía auxiliar, y pase los tornillos por la parte posterior del tope-guía metálico.

5. Haga un corte de profundidad completa para crear la ranura para la hoja. Compruebe si hay interferencia entre el tope-guía auxiliar y el protector inferior de la hoja. Haga ajustes según sea necesario.

⚠ ADVERTENCIA Compruebe si alguno de los componentes interfiere.

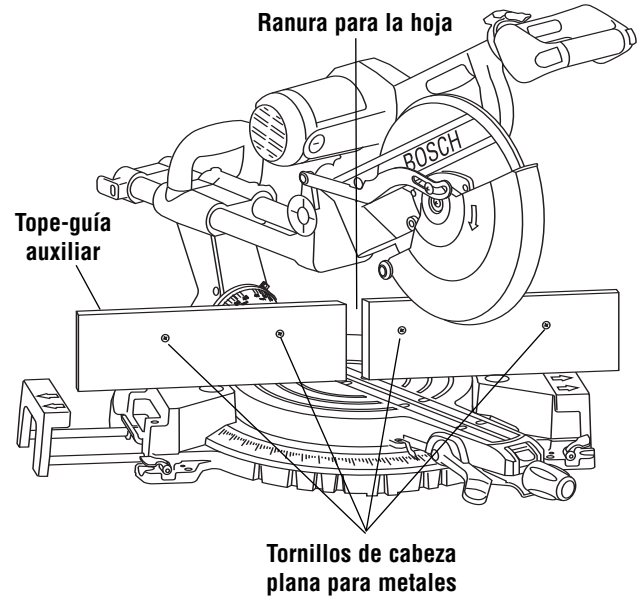


Figura: Tope-guía auxiliar

Activación del interruptor

Por seguridad, la palanca del interruptor está diseñada para evitar arranques accidentales. Para activar el interruptor de seguridad oprima el botón "Fijación en OFF (apagado)" con alguno de sus pulsadores para desacoplar el cierre, a continuación tire del gatillo del interruptor de encendido y suelte el botón de liberación de "Fijación en OFF (apagado)". Al soltar el gatillo del interruptor de encendido, el botón de "Fijación en OFF" del interruptor acoplará en forma automática el interruptor de seguridad, y el gatillo ya no funcionará sino hasta que se oprima de nuevo el botón de "Fijación en OFF".

NOTA: En el gatillo del interruptor se puede insertar un candado de argolla larga de hasta $\frac{1}{2}$ de pulgada de diámetro (no suministrado), para evitar el uso no autorizado de la sierra.

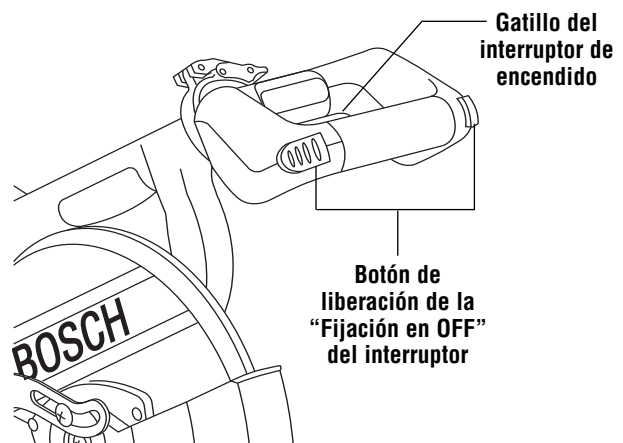


Figura: Activación del interruptor

Operaciones básicas de la sierra

Sobrecontrol del retén del inglete

La función de sobrecontrol del retén del inglete desactiva el retén y permite ajustes micrométricos a cualquier ángulo de inglete. Cuando el ángulo deseado es demasiado cercano a alguno que tenga una ranura de retén, esta función evita que la cuña del brazo se deslice a la ranura del retén en la base.

1. Suba y sujete el gatillo de retén del inglete que está bajo el brazo de la base.
2. Empuje el clip de sobrecontrol del retén hacia adelante y acóplelo en su sitio sobre el borde. Suelte el gatillo del retén de inglete.
3. Mueva el brazo de inglete hasta cualquier posición en la escala de ingletes.
4. Fije el pomo de fijación de inglete para retener la posición de inglete.

Para desacoplarlo:

Afloje el pomo de fijación de inglete y suba el gatillo del retén de inglete para soltar el clip de sobrecontrol del retén. El clip debe desacoplarse automáticamente y la mesa se debe fijar en cualquier retén de inglete deseado.

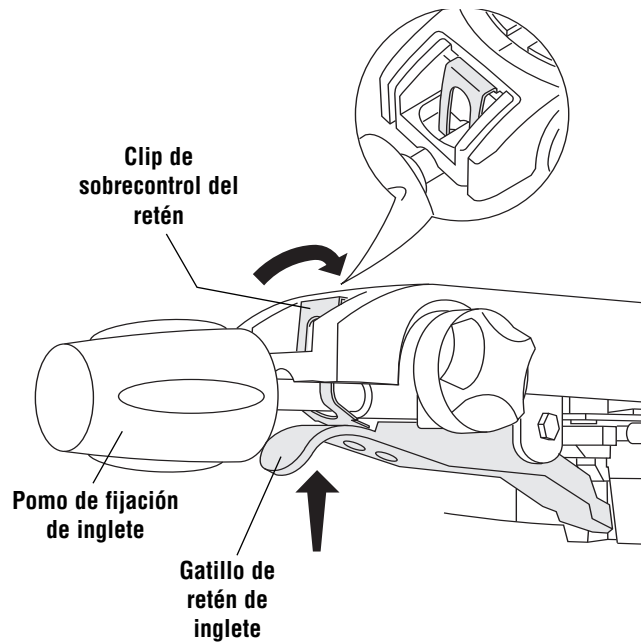


Figura: Sobrecontrol del retén

Sistema de ajuste Microfino de ingletes

Ese dispositivo le permite mover la mesa giratoria en incrementos muy pequeños de hasta 2 grados hacia la izquierda o hacia la derecha de los ángulos de retén (excepto el retén de 60°) para llegar al ángulo de inglete deseado.

1. Mueva la mesa hasta el ángulo de retén que se vaya a ajustar (Figura 1).
2. El dispositivo de sobrecontrol rojo de la palanca de retén de ingletes DEBE estar acoplado, tal como se ha descrito anteriormente.
3. Empuje hacia adelante el pomo de ajuste microfino hasta la posición "ACOPLADO". Esto acopla el sistema en la ranura de retén (Figura 2).

Nota: Es posible que usted tenga que girar ligeramente la mesa para acoplar el sistema.

4. Gire el pomo hasta que el indicador llegue al ángulo deseado.
 - El giro del pomo hacia adelante hace que la mesa gire hacia la izquierda.
 - El giro del pomo hacia atrás hace que la mesa gire hacia la derecha.
5. Utilice el pomo de fijación de inglete para fijar la mesa en su sitio antes de realizar el corte.
6. Para soltar la mesa del sistema de ajuste microfino, simplemente tire del pomo alejándolo de la mesa hasta que se acople a presión en la posición "DESACOPLADO".

NOTA: El ajuste microfino se debe devolver a la posición "DESACOPLADO" con el fin de utilizar el sistema de retén estándar.

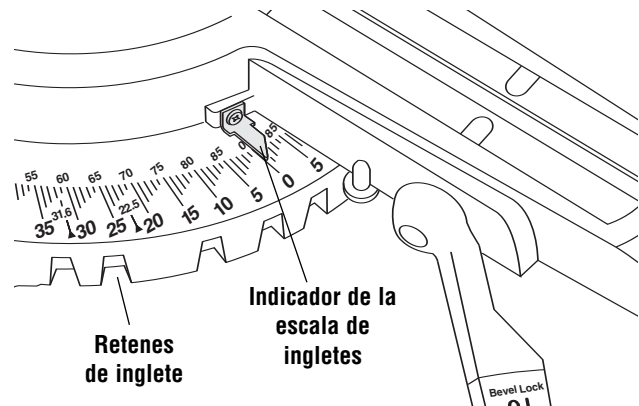


Figura 1. Ajuste de la escala de ingletes

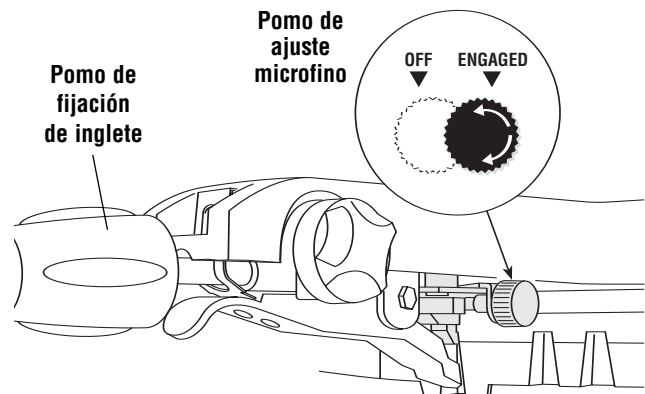


Figura 2. Sistema de ajuste microfino

Topes-guía y extensiones de la base deslizantes

⚠️ ADVERTENCIA Para proporcionar una separación suficiente (mínimo 6 pulgadas) entre la mano y la hoja de la sierra, extienda los topes-guía y extensiones de la base deslizantes cuando haga cortes en bisel, de inglete o compuestos extremos.

Las extensiones de la base también se pueden utilizar para dar soporte adicional a las piezas largas.

Base deslizante:

1. Afloje las palancas de sujeción de las extensiones de la base.
2. Extienda las extensiones de la base deslizantes hasta la posición que desee.
3. Oprima hacia abajo las palancas para sujetar las extensiones en su lugar.

Extensiones de la base:

- Si se desea, la altura de la parte superior de las extensiones de la base se puede ajustar ligeramente aumentando la distancia entre la extensión y la parte principal de la base.
- Si es necesario ajustar la fuerza de sujeción de las palancas de fijación de las extensiones de la base, simplemente tire hacia afuera de la lengüeta roja y gírela hacia el centro de la sierra. Deje que la lengüeta roja salte hacia atrás como un resorte al interior de una nueva ranura. Cuando las lengüetas rojas se giren hacia abajo para sujetar las varillas, agarrarán las varillas con mayor fuerza.

Tope-guía deslizante:

1. Afloje las perillas de sujeción del tope-guía (detrás del tope).
2. Deslice el tope-guía hasta su posición adecuada.
3. Apriete las perillas para fijar el tope-guía en su lugar.

Para quitar temporalmente el tope-guía deslizante:

En el caso de algunos ángulos compuestos extremos es necesario quitar uno de los topes-guía deslizantes.

1. Destornille la perilla del tope-guía hasta que se vea por lo menos 1/2 de pulgada de la rosca.
2. Deslice el tope-guía hasta su posición más central.
3. Levante el tope-guía para quitarlo.
4. Apriete la perilla.

Vuelva a instalar el tope-guía deslizante después de completar el corte.

Invierta este procedimiento para reinstalar el tope-guía deslizante.

⚠️ PRECAUCION Se debe asegurar siempre las extensiones de la base deslizantes y los topes-guía en la posición totalmente hacia adentro durante el transporte.

Consulte la página 60 para obtener información acerca de otros tipos de soporte de piezas de trabajo.

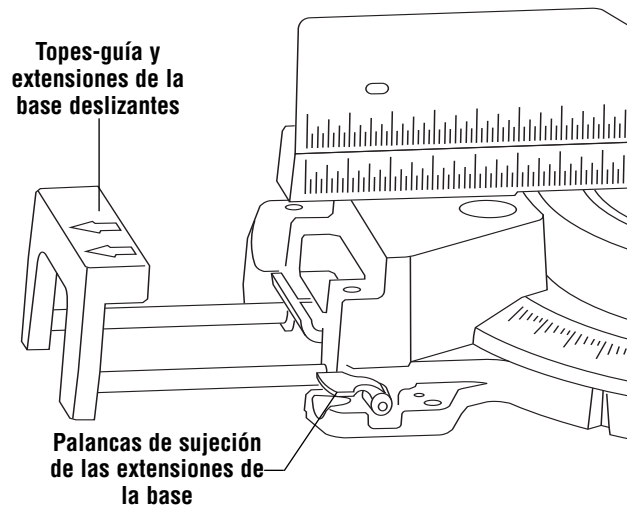


Figura: Topes-guía y extensiones de la base deslizantes

Operaciones de la sierra

Corte de troceado

- Se aprieta el pomo de fijación de los rieles de deslizamiento y se baja el ensamblaje del cabezal para cortar a través de la pieza de trabajo.

- Este tipo de corte se usa principalmente para piezas estrechas.

Siga estas instrucciones para hacer un corte de troceado:

1. Deslice el ensamblaje del cabezal hasta la parte trasera tanto como se pueda.
2. Apriete el pomo de fijación de los rieles de deslizamiento.
3. Posicione adecuadamente la pieza de trabajo. Asegúrese de que la pieza de trabajo esté fijada con abrazadera firmemente contra la mesa y el tope-guía.

ADVERTENCIA Use una posición de fijación con abrazadera que no interfiera con la operación. Antes de encender la sierra, baje el ensamblaje del cabezal para asegurarse de que la abrazadera no toque ni el protector ni el ensamblaje del cabezal.

4. Active el interruptor. Baje el ensamblaje del cabezal y haga el corte.

5. Espere hasta que la hoja se detenga por completo antes de regresar el ensamblaje del cabezal a la posición subida y/o retirar la pieza de trabajo.

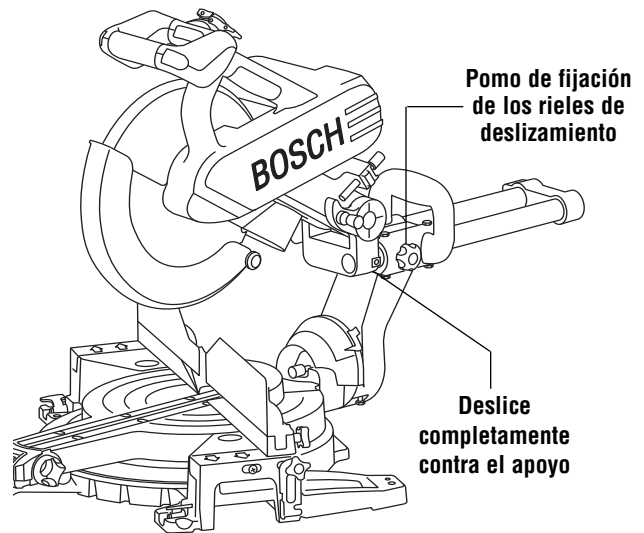


Figura: Corte de troceado

Corte deslizante

- Se afloja el pomo de fijación de los rieles de deslizamiento, se tira del ensamblaje del cabezal hacia el operador, se baja el ensamblaje del cabezal hasta la pieza de trabajo y luego se empuja hacia la parte posterior de la sierra para hacer el corte.

- Este tipo de corte se usa principalmente para piezas anchas.

- Se recomienda un enganche de hoja positivo de 10 grados o más para lograr el mejor rendimiento al hacer cortes agresivos o cortar materiales más gruesos.

ADVERTENCIA NUNCA tire de la sierra hacia usted durante un corte. La hoja puede subir repentinamente a la superficie de la pieza de trabajo y llegar hasta usted.

Siga estas instrucciones para hacer un corte deslizante:

1. Posicione adecuadamente la pieza de trabajo. Asegúrese de que la pieza de trabajo esté fijada con abrazadera firmemente contra la mesa y el tope-guía.

ADVERTENCIA Use una posición de fijación con abrazadera que no interfiera con la operación. Antes de encender la sierra, baje el ensamblaje del cabezal para asegurarse de que la abrazadera no toque ni el protector ni el ensamblaje del cabezal.

2. Afloje el pomo de fijación de los rieles de deslizamiento.
3. Agarre el mango con interruptor y tire del ensamblaje del cabezal alejándolo del tope-guía hasta que la hoja no toque la pieza de trabajo o hasta su extensión máxima si la hoja no puede dejar de tocar la pieza de trabajo.
4. Active el interruptor. Baje el ensamblaje completamente hasta abajo y corte a través del borde de la pieza de trabajo.

5. Empuje (pero no fuerce) el ensamblaje del cabezal hacia el tope-guía hasta la posición completamente hacia atrás para completar el corte.
6. Espere hasta que la hoja se detenga por completo antes de regresar el ensamblaje del cabezal a la posición subida y/o retirar la pieza de trabajo.

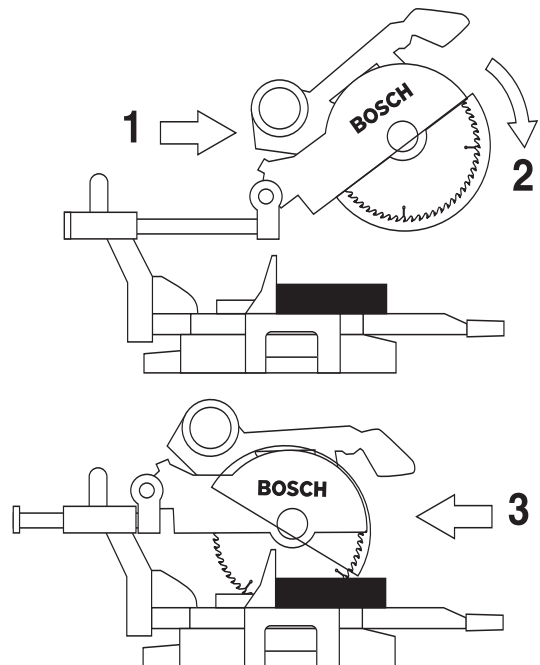


Figura: Corte deslizante

Corte a inglete

- Un "corte a inglete" es uno hecho con la hoja vertical, no inclinada, formando un ángulo horizontal con el tope-guía.
- Un corte a inglete se hace con inclinación de 0° y cualquier ángulo de inglete desde 52° a la izquierda hasta 60° a la derecha.
- La escala de inglete muestra el ángulo que forman la hoja y el tope-guía y está grabada en la mesa para poder leerla con facilidad.
- Se han provisto unos retenes positivos para ingleteado rápido y preciso a 0°, 15°, 22.5°, 31.6° y 45° a la izquierda y a la derecha y a 60° a la derecha.
- Los retenes de moldura de techo (izquierdo y derecho) están a 31.6°. (Consulte la información sobre molduras de techo en la página 69.)
- Para ajustes precisos, en ángulos cercanos a los retenes, use el sobrecontrol del retén para anular el retén. Esto evita que la cuña del gatillo del retén nunca se deslice al retén.
- Un corte a inglete se puede hacer como un corte de troceado o como un corte deslizante según la anchura de la pieza de trabajo.
- Los accesorios de inserción para la separación de corte deben estar tan cerca de la hoja como sea posible sin tocarla (vea Accesorios de inserción para la separación de corte para informarse sobre los procedimientos de ajuste).

Siga estas instrucciones para hacer un corte a inglete:

1. Afloje el pomo de fijación del inglete. Suba el gatillo del retén de inglete y mueva la sierra al ángulo deseado, utilizando ya sea los retenes o la escala de ingletes. Apriete el pomo de fijación de inglete.
2. Extienda las extensiones de la base y el tope-guía del lado en el que se va a hacer el corte (vea Topes-guía y extensiones de la base deslizantes en la página 63).
3. Posicione la pieza de trabajo adecuadamente. Asegúrese de que la pieza de trabajo esté fijada con abrazadera firmemente contra la mesa y el tope-guía.

⚠ ADVERTENCIA Use una posición de fijación con abrazadera que no interfiera con la operación. Antes de encender la sierra, baje el ensamblaje del cabezal para asegurarse de que la abrazadera no toque ni el protector ni el ensamblaje del cabezal.

4. Siga los procedimientos para corte de troceado o corte deslizante (vea la página 64).
5. Espere hasta que la hoja se detenga por completo antes de volver a colocar el ensamblaje del cabezal en la posición subida y/o retirar la pieza de trabajo.

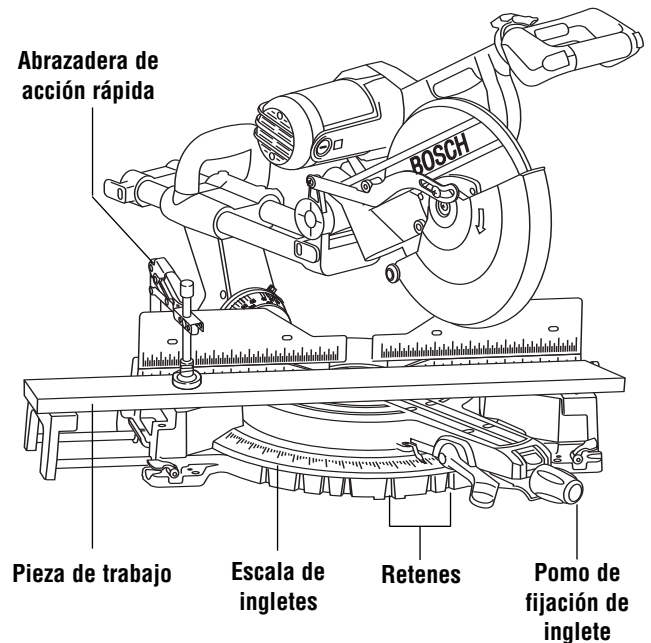


Figura: Corte a inglete

Operaciones de la sierra

Corte en bisel

- Un "corte en bisel" es un corte transversal que se hace con la hoja perpendicular al tope-guía, pero inclinada alejándose de la posición vertical.
- Un corte en bisel se hace a un inglete de 0° y cualquier ángulo de bisel en el intervalo de hasta 47°.
- Hay topes de bisel ajustados en fábrica a 0° y 45° tanto a la izquierda como a la derecha (consulte la sección Ajustes si se requieren ajustes).
- La perilla selectora de intervalo de biseles posicionada en la parte delantera proporciona tres opciones de intervalo de biseles.
- También hay topes positivos de bisel para moldura de techo a 33.9° tanto a la izquierda como a la derecha. Desacople este tope a menos que se esté utilizando el ángulo de 33.9° (para obtener detalles, consulte Corte de molduras de techo).
- Un corte en bisel se puede hacer como un corte de troceado o como un corte deslizante, según la anchura de la pieza de trabajo.
- La palanca de fijación de bisel, posicionada en la parte delantera, fija el ensamblaje del cabezal en el ángulo de bisel deseado.

Selección del intervalo de biseles

Seleccione el intervalo de biseles deseado utilizando la perilla selectora de intervalo de biseles (Figura 1).

▶ 45°-0 Left

Para operar en el intervalo de biseles de -45° a la izquierda a 0°: (Este intervalo de biseles a la izquierda es el ajuste preestablecido)

- a. Extienda el tope-guía deslizante izquierdo para que sobresalga del ensamblaje de la sierra y fíjelo de nuevo (Figura 2).
- b. Suba la palanca de fijación de bisel para soltar el cierre de fijación de bisel (Figura 1).
- c. Agarre el mango delantero de transporte con la mano derecha e incline el cabezal de la sierra hasta el ángulo deseado. (Fig. 2)
- d. Empuje hacia abajo la palanca de fijación de bisel hasta que sienta que la palanca se acopla a presión en la posición bloqueada.

▶ 0-45° Right

Para operar en el intervalo de biseles de 0° a 45° a la derecha:

- a. Extienda el tope-guía deslizante derecho para que sobresalga del ensamblaje de la sierra y fíjelo de nuevo (Figura 2).
- b. Suba la palanca de fijación de bisel para soltar el cierre de fijación de bisel (Figura 1).
- c. Sitúese en el lado derecho de la sierra, agarre el mango delantero de transporte con la mano derecha e incline el cabezal de la sierra ligeramente hacia la izquierda, a la vez que gira la perilla selectora de intervalo de biseles con la mano izquierda hasta "0-45° a la derecha" (Figura 2).

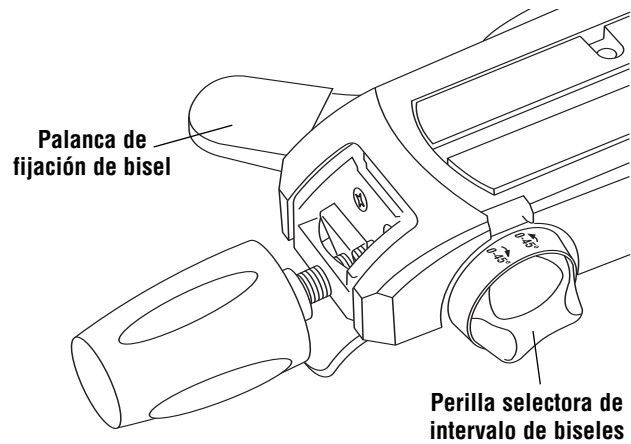


Figura 1.

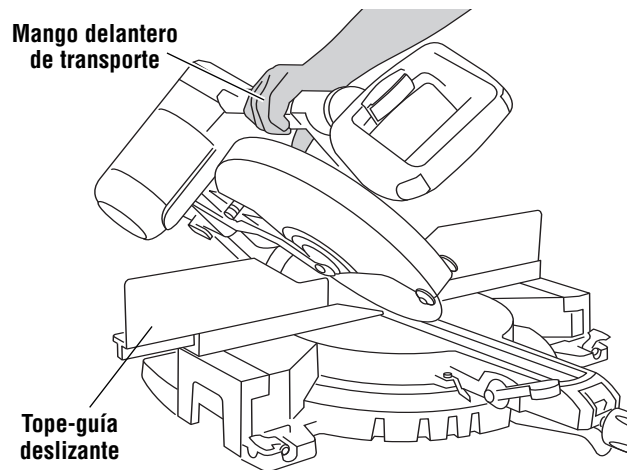


Figura 2.

- d. Incline el cabezal de la sierra hasta el ángulo de bisel derecho deseado, hasta el tope de 45°.
- e. Empuje hacia abajo la palanca de fijación de bisel hasta que sienta que la palanca se acopla a presión en la posición bloqueada.

NOTA: Al inclinar el ensamblaje de la sierra hacia atrás, hacia la izquierda, pasado 0°, el pomo de control de bisel saltará de vuelta al intervalo de biseles preestablecido 1. Esto está diseñado para recuperar el tope de bisel preajustado en la importante posición de 0°.

▶ Max Range

Para operar en el intervalo de biseles de 47° a la izquierda a 46° a la derecha:

Este ajuste del intervalo de biseles de capacidad completa anula todos los topes preajustados y permite realizar cortes en ángulos de bisel más allá del ángulo normal de 45° en cualquiera de los dos lados.

- a. Mueva el tope-guía deslizante izquierdo o derecho para que sobresalga del ensamblaje de la sierra y fíjelo de nuevo (Figura 2).

- b. Suba la palanca de fijación de bisel para soltar el cierre de bisel (Figura 1).
- c. Sitúese en el lado derecho de la sierra, agarre el mango delantero de transporte con la mano derecha e incline el cabezal de la sierra ligeramente hacia la izquierda, a la vez que gira la perilla selectora de intervalo de biselés con la mano izquierda hasta el "intervalo máximo" (Figura 2).
- d. Incline el cabezal de la sierra hasta cualquier ángulo desde 47° a la izquierda hasta 46° a la derecha.
- e. Empuje hacia abajo la palanca de fijación de bisel hasta que sienta que la palanca se acopla a presión en la posición bloqueada.

Siga estas instrucciones para hacer el corte en bisel:

1. Extienda las extensiones de la base en el lado en que se hará el corte (consulte Tope-guía deslizante y Extensión de la base en la página 63).
2. Posicione apropiadamente la pieza de trabajo. Asegúrese de que la pieza de trabajo esté sujeta firmemente con abrazaderas contra la mesa y el tope-guía.
NOTA: Utilice la posición de sujeción con abrazaderas que no interfiera con la operación.
3. Antes de encender la sierra, practique la acción de corte para asegurarse de que el tope-guía no toque los protectores y realice ajustes según sea necesario.
4. Siga los procedimientos para un corte de troceado o un corte deslizante (consulte la página 64).
5. Espere hasta que la hoja se detenga por completo antes de devolver el ensamblaje del cabezal a la posición subida y/o retirar la pieza de trabajo.

Cortes compuestos

- Un "corte compuesto" es el que se hace con la hoja formando un ángulo horizontal con el tope-guía (corte oblicuo o ángulo de inglete), y al mismo tiempo inclinada hacia fuera respecto a la vertical (ángulo de bisel).
- Un corte compuesto es un corte que requiere tanto una posición de inglete como una de bisel.
- Un corte compuesto se puede hacer como un corte de troceado o como un corte deslizante según la anchura de la pieza de trabajo.
- Como puede que se necesiten varios intentos para lograr el ángulo compuesto deseado, realice cortes de prueba en material de desecho antes de hacer el corte.

Siga estas instrucciones para hacer un corte compuesto:

1. Saque las extensiones de la base y los tope-guía del lado en el que se hará el corte (vea Topes-guía y extensiones de base deslizantes en la página 63).
2. Posicione la pieza de trabajo adecuadamente. Asegúrese de que la pieza de trabajo esté fijada con abrazadera firmemente contra la mesa y el tope-guía.

⚠ ADVERTENCIA Use una posición de fijación con abrazadera que no interfiera con la operación. Antes de encender la sierra, baje el ensamblaje del cabezal para asegurarse de que la abrazadera no toque ni el protector ni el ensamblaje del cabezal.

3. Ajuste los ángulos de corte a inglete y en bisel siguiendo las instrucciones de las páginas 66, respectivamente.
4. Siga los procedimientos para un corte de troceado o un corte deslizante (vea la página 64).
5. Espere hasta que la hoja se detenga por completo antes de volver a colocar el ensamblaje del cabezal en la posición subida y/o retirar la pieza de trabajo.

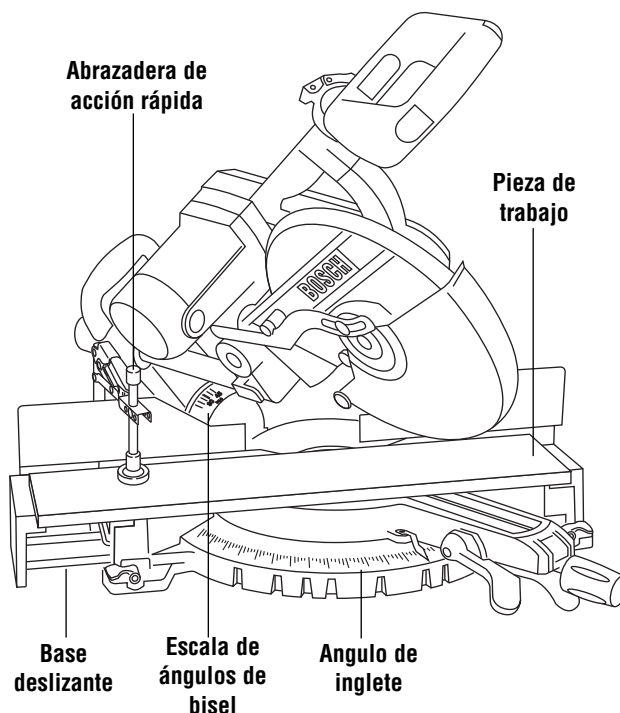


Figura: Corte compuesto

Operaciones de la sierra

Corte de ranuras

- El ajuste del tope de profundidad es una función que se usa para cortar ranuras en la pieza de trabajo.
 - El ajuste de profundidad se usa para limitar la profundidad de la hoja para cortar ranuras.
 - La ranura se debe hacer con corte deslizante.
1. Para los ajustes principales, oprima el botón de liberación de tope de profundidad, y deslice el perno de tope de profundidad hasta llegar a la posición deseada (Figura 1).
 2. Para los ajustes pequeños, sólo gire el perno de tope de profundidad hasta llegar a la posición deseada.
 3. Las contratuercas superiores se pueden utilizar para ajustar una profundidad de ranura utilizada comúnmente. Para ajustar esta profundidad, afloje las contratuercas superiores, mueva el ajuste hasta la ubicación deseada y apriete de nuevo las contratuercas una contra otra.
 4. Apriete la tuerca estriada.
 5. Corte las dos ranuras exteriores.
 6. Use un cincel para madera o haga múltiples pasadas deslizando la madera hacia un lado para quitar el material que está entre las ranuras exteriores (Figura 2).

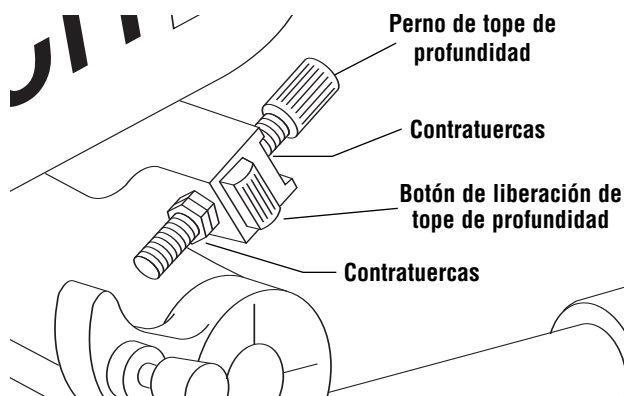


Figura 1. Corte de ranuras

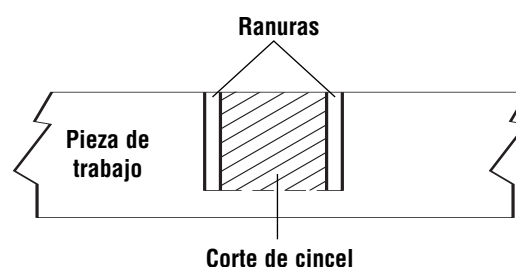


Figura 2. Ranura cortada de modo basto

Tope de longitud

⚠ ADVERTENCIA Utilice solamente un tope de longitud. La utilización de topes de longitud en ambos lados de la hoja podría atrapar la pieza de trabajo y podría hacer que ésta salga despedida.

Al hacer cortes repetitivos de la misma longitud se puede usar el tope abatible de longitud de la unidad.

Para habilitar el tope, sencillamente destornille la perilla, voltee el tope a su posición y apriete la perilla.

1. Para ajustar la longitud de corte, destrabe la palanca de sujeción de extensión de la base, cambie la posición de la extensión de la base y del tope de longitud y vuelva a fijar las palancas.
2. La longitud máxima que se puede cortar usando el tope de longitud es de 548.64 cm (18'), aproximadamente.

Si se desea, se puede mover el tope de longitud y su perilla a la extensión izquierda de la base. También se puede instalar el Juego de tope de longitud MS1230 opcional en el lado izquierdo para tener topes en ambos lados de la sierra.

Para aumentar la longitud de corte usando el tope de longitud, cambie las varillas de la extensión de la base de la herramienta por el Juego de varillas extra largas de base MS1229 opcional, que aumenta hasta unos 762 cm (25') la longitud máxima que se puede cortar en cualquiera de los lados de la herramienta.

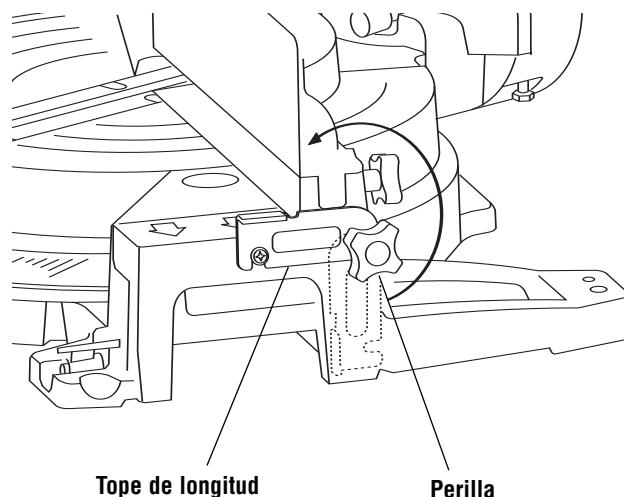
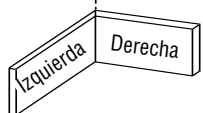
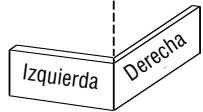


Figura: Tope de longitud

Corte de moldura de base

- Las molduras de base se pueden cortar en dirección vertical afirmándolas contra el tope-guía u horizontal sobre la mesa. El tamaño máximo vertical contra el tope-guía es de (3-5/8 pulgadas), (10-1/4 pulgadas) horizontal sobre la mesa.

- Consulte la tabla siguiente para obtener consejos útiles sobre el corte de molduras de base con esquinas de 90°.
- El corte de moldura de base se puede hacer como un corte de troceado o como un corte deslizante según la anchura de la pieza de trabajo.

INSTRUCCIONES PARA EL CORTE DE MOLDURA DE BASE					
POSICIÓN DE LA MOLDURA EN LA SIERRA →		Moldura en posición vertical: La parte posterior de la moldura está contra el tope-guía		Moldura en posición horizontal: La parte posterior de la moldura está horizontal sobre la mesa	
Angulo de bisel →		Bisel = 0°		Bisel = 45°	
Moldura que se corta →		Izquierda de la esquina	Derecha de esquina	Izquierda de la esquina	Derecha de esquina
Esquina interior de la pared 	Angulo de inglete	Izquierda a 45°	Derecha a 45°	0°	0°
	Posición de la moldura en la sierra	Parte inferior contra la mesa	Parte inferior contra la mesa	Parte superior contra el tope-guía	Parte inferior contra el tope-guía
	Lado acabado	Conservar el lado izquierdo del corte	Conservar el lado derecho del corte	Conservar el lado izquierdo del corte	Conservar el lado izquierdo del corte
Esquina exterior de la pared 	Angulo de inglete	Derecha a 45°	Izquierda a 45°	0°	0°
	Posición de la moldura en la sierra	Parte inferior contra la mesa	Parte inferior contra la mesa	Parte inferior contra el tope-guía	Parte superior contra el tope-guía
	Lado acabado	Conservar el lado izquierdo del corte	Conservar el lado derecho del corte	Conservar el lado derecho del corte	Conservar el lado derecho del corte

Corte de moldura de techo

- Una moldura de techo debe cortarse y posicionarse bien para que ajuste con exactitud.
- Hay dos maneras de cortar molduras de techo: horizontal sobre la mesa, o en ángulo respecto a la mesa y al tope-guía.
- El “ángulo de cara” de las molduras de techo es el que forma la parte posterior de la moldura y la superficie plana inferior que ajusta contra la pared.
- Esta sierra de ingletes tiene retenes especiales de inglete a 31.6° y de bisel a 33.9°. Estos retenes permiten posicionar con facilidad la mayor parte de las molduras de techo horizontal sobre la mesa y hacer cortes precisos para esquinas de 90°. (Estos retenes sólo se deben usar con molduras de techo que tengan un “ángulo de cara” de 38°). NOTA: Estos retenes no se pueden usar con molduras de techo de 45°.

- Vea también en la página 70 las tablas de ángulos de inglete y de bisel para cortar molduras de techo que tengan ángulos de cara de 38° y 45°, afirmando el material horizontal sobre la base de la sierra. Cada tabla tiene los ajustes exactos que se requieren en el inglete y en el bisel, para una gran cantidad de ángulos de esquina.
- Aun cuando esos ángulos son los normales, la mayor parte de las habitaciones no tienen ángulos exactos de 90°, por lo que deberá usted hacer ajustes finos.

El Transportador digital opcional Bosch DWM40L MiterFinder mide ángulos de cara y de esquina y determina automáticamente con exactitud los ajustes del inglete y del bisel necesarios para que cada moldura de techo cortada ajuste a la perfección.

Operaciones de la sierra

Moldura de techo colocada horizontalmente sobre la mesa

Moldura de techo colocada horizontalmente sobre la mesa

Siga estas instrucciones para cortar moldura de techo:

Notas: Coloque la pieza con su parte posterior recargada de forma horizontal sobre la mesa de la sierra.

Ponga siempre la orilla superior de la moldura contra el tope-guía (con el lado decorativo hacia la parte inferior de la moldura de techo.)

- “Ángulo de cara” es el que forman la pared y la moldura de techo.
 - El corte de una moldura de techo en posición horizontal sobre la mesa se puede hacer como un corte de troceado (pasante) o como un corte deslizante (de ranura), dependiendo del ancho de la pieza de trabajo.
1. Para una esquina de 90°, establezca los ángulos de inglete y de bisel de acuerdo con las tablas de abajo. Apriete el pomo de fijación de inglete y la palanca de fijación de bisel.
 2. Posicione la moldura sobre la mesa de la sierra. Sujete la pieza en su lugar con la abrazadera de acción rápida.

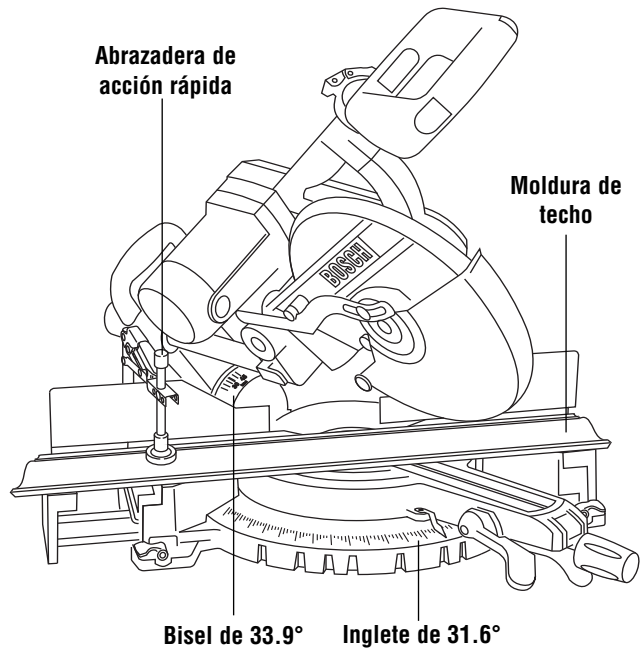


Figura: Moldura de techo colocada horizontalmente

ADVERTENCIA Use una posición de fijación con abrazadera que no interfiera con la operación. Antes de encender la sierra, baje el ensamblaje del cabezal para asegurarse de que la abrazadera no toque ni el protector ni el ensamblaje del cabezal.

3. Siga los procedimientos para corte de troceado o para corte deslizante (vea la página 64).
4. Espere hasta que la hoja se detenga por completo antes de volver a colocar el ensamblaje del cabezal en la posición subida y/o retirar la pieza de trabajo.

NOTA: HAGA SIEMPRE UN CORTE DE PRUEBA USANDO MADERA DE DESECHO PARA CONFIRMAR QUE LOS ANGULOS SON CORRECTOS.

Ajustes de ingletes y biseles para cortes en molduras de techo normales

(Cuando la moldura de techo está horizontal sobre la mesa)

Condiciones: La moldura tiene un perfil constante. La esquina tiene 90° exactamente.

El ángulo de cara de la moldura es 38 grados		
	Ajuste del inglete (mesa)	Ajuste del bisel (inclinación)
Esquina interior		
Extremo izquierdo (A) Use el extremo izquierdo del corte	(31.6) Derecha	(33.9) Izquierda
Extremo derecho (B) Use el extremo derecho del corte	(31.6) Izquierda	(33.9) Derecha
Esquina exterior		
Extremo izquierdo (C) Use el extremo izquierdo del corte	(31.6) Izquierda	(33.9) Derecha

El ángulo de cara de la moldura es 45 grados		
	Ajuste del inglete (mesa)	Ajuste del bisel (inclinación)
Esquina interior		
Extremo izquierdo (A) Use el extremo izquierdo del corte	(35.3) Derecha	(30.0) Izquierda
Extremo derecho (B) Use el extremo derecho del corte	(35.3) Izquierda	(30.0) Derecha
Esquina exterior		
Extremo izquierdo (C) Use el extremo izquierdo del corte	(35.3) Izquierda	(30.0) Derecha

Operaciones de la sierra

Moldura de techo en ángulo respecto a la mesa y al tope-guía

El método preferido para cortar la moldura de techo con esta sierra es con la moldura situada en posición horizontal sobre la mesa.

- La ventaja de cortar molduras en ángulo contra el tope-guía es que no se requiere ajustar el ángulo de bisel. Sólo se ajusta el ángulo de inglete.
- El ancho máximo de moldura de techo que se puede cortar, recargando en la mesa y en el tope-guía, es 11.75 cm (4-5/8 pulgadas).
- Cuando se corta la moldura de techo de esta forma, se recomienda comprar el Accesorio MS 1221, de abrazadera horizontal y tope de moldura de techo, que se suministra en forma opcional.

Siga estas instrucciones para cortar moldura de techo en ángulo respecto a la mesa y al tope-guía.

1. Posicione la moldura de modo que la parte inferior (la parte decorativa, que se instala contra la pared) esté contra el tope-guía.
2. Para una esquina de 90°, ajuste el ángulo de inglete de acuerdo con la tabla de abajo. Apriete el pomo de fijación de inglete.
3. Soporte la moldura de techo contra el tope-guía (vea "Posición del cuerpo y de las manos" en la página 59).
4. Siga los procedimientos para corte de troceado o corte deslizante (vea la página 64).
5. Espere hasta que la hoja se detenga por completo antes de volver a colocar el ensamblaje del cabezal en la posición subida y/o retirar la pieza de trabajo.

NOTA: HAGA SIEMPRE UN CORTE DE PRUEBA USANDO MADERA DE DESECHO PARA CONFIRMAR QUE LOS ANGULOS SON CORRECTOS.

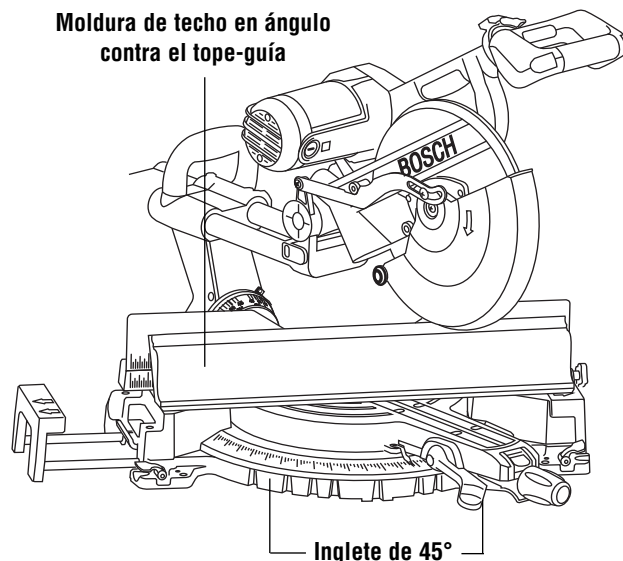


Figura: Moldura de techo en ángulo respecto a la mesa y al tope-guía

Ajustes de ingletes y biseles para cortes en molduras normales de techo (Cuando la pieza está en ángulo contra el tope-guía)

Condiciones: La moldura tiene un perfil constante.

- La esquina es de 90 grados..
- Para otros ángulos de esquina, divida el ángulo real por 2.

Para cualquier moldura de techo

	Ajuste del inglete (mesa)	Ajuste del bisel (inclinación)
Esquina interna		
Extremo izquierdo (A) Use el extremo derecho del corte	(45) Derecha	0 Izquierda
Extremo derecho (B) Use el extremo izquierdo del corte	(45) Izquierda	0 Derecha
Esquina externa		
Extremo izquierdo (C) Use el extremo derecho del corte	(45) Izquierda	0 Derech
Extremo derecho (D) Use el extremo izquierdo del corte	(45) Derecha	0 Izquierda

Operaciones de la sierra

Cortes especiales

Los cortes de material arqueado y de material redondo son solamente dos ejemplos de cortes especiales.

Corte de material arqueado

⚠️ ADVERTENCIA Si la pieza de trabajo está arqueada o combada, fíjela con abrazadera con la cara exterior arqueada orientada hacia el tope-guía. Asegúrese siempre de que no haya espacio libre entre la pieza de trabajo, el tope-guía y la mesa a lo largo de la línea de corte. Las piezas de trabajo dobladas o combadas pueden torcerse u oscilar y pueden causar atasco en la hoja de sierra que gira durante el corte (Figura 1).

Corte de material redondo o que tenga forma irregular

⚠️ ADVERTENCIA Para material redondo, tal como varillas con espiga o tubos, use siempre una abrazadera o un dispositivo de sujeción diseñado para fijar la pieza de trabajo firmemente contra el tope-guía y la mesa. Las varillas tienen tendencia a rodar mientras son cortadas, haciendo que la hoja "muerda" y tire de la pieza de trabajo con la mano del operador hacia la hoja (Figura 2).

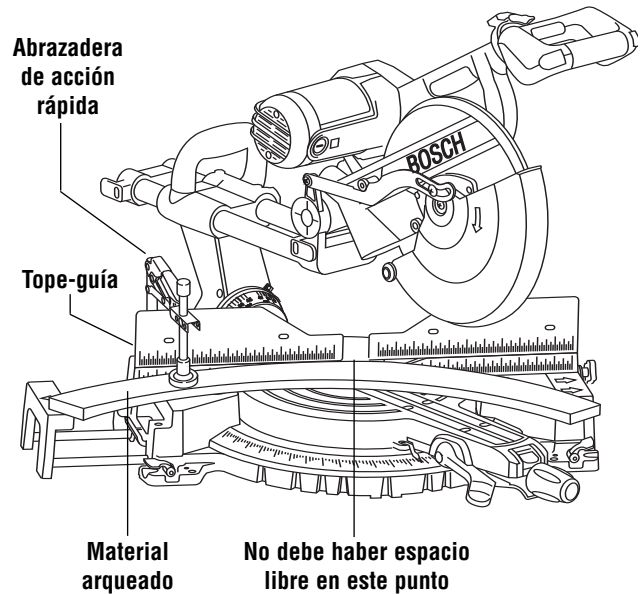


Figura 1. Material arqueado

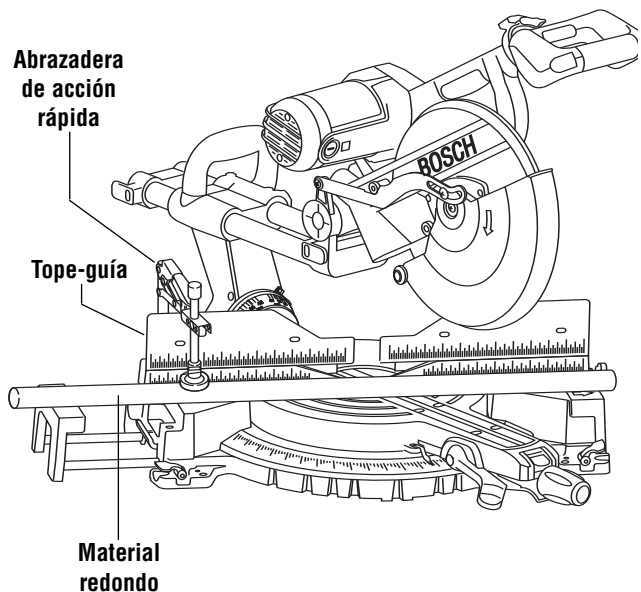


Figura 2. Material redondo

Mantenimiento y lubricación

Servicio

ADVERTENCIA El mantenimiento preventivo realizado por personal no autorizado puede dar lugar a la colocación incorrecta de cables y componentes internos que podría constituir un peligro serio. Recomendamos que todo el servicio de las herramientas sea realizado por un Centro de servicio de fábrica Bosch o por una Estación de servicio Bosch autorizada.

Escobillas de carbón

Las escobillas y el conmutador de la herramienta han sido diseñados para muchas horas de servicio fiable. Para mantener un rendimiento óptimo del motor, recomendamos que cada dos a seis meses se examinen las escobillas. Sólo se deben usar escobillas de repuesto Bosch genuinas diseñadas específicamente para su herramienta.

Cambio de las escobillas del motor

Para inspeccionar o cambiar las escobillas:

1. Desenchufe la sierra.

PRECAUCIÓN La tapa de las escobillas está accionada por resorte por el ensamblaje de las escobillas.

2. Quite la tapa de las escobillas que está en el motor usando un destornillador de hoja plana ancha.
3. Tire de la escobilla para sacarla (Figura 1). Repita la operación para el lado contrario.

NOTA: Si instala la escobilla o escobillas existentes, asegúrese de que la escobilla entre del mismo modo en que salió. De lo contrario, se producirá un período de rodaje que reducirá el rendimiento del motor y aumentará el desgaste de las escobillas.

4. Inspeccione las escobillas para comprobar si están desgastadas. En el lado ancho y plano de la escobilla hay una línea de límite de desgaste. Si la cara de contacto de la escobilla está en el límite o más allá de éste (no se ve la línea), cambie el juego de escobillas.
5. Instale la escobilla nueva. Las dos (2) lengüetas del terminal de la escobilla van en el mismo agujero en que se acopla la pieza de carbón.
6. Apriete la tapa de las escobillas pero no la apriete demasiado.

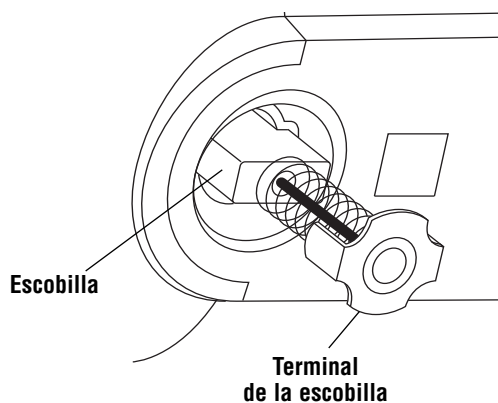


Figura 1. Escobilla del motor

Banda motriz

La banda motriz es un componente que requiere mantenimiento normal y debe revisarse en forma periódica para comprobar su desgaste. Se debe cambiar si muestra sequedad, agrietamiento o desgarres. Si se sale de las poleas, se debe reemplazar.

1. Para instalar una banda nueva:
2. Afloje los dos tornillos y quite la cubierta de la banda motriz.
3. Corte y quite la banda gastada (Figura 2). Antes de instalar la nueva, limpie muy bien las dos poleas.
4. Primero ponga la nueva banda en la polea motriz, a continuación gire ésta en sentido de las agujas del reloj y al mismo tiempo empuje la banda en la polea conducida.
5. Vuelva a instalar la cubierta de la banda y apriete firmemente los tornillos.

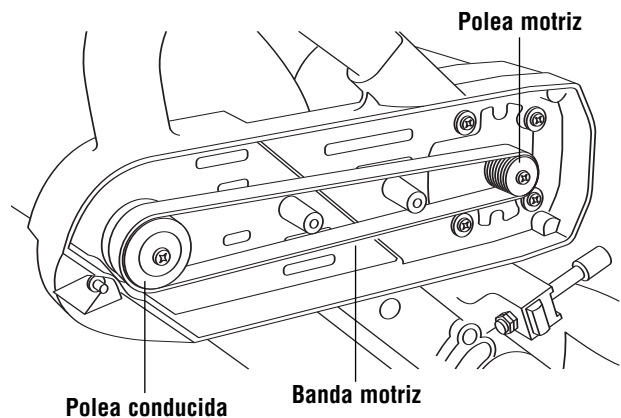


Figura 2. Cambios de banda

Limpieza

ADVERTENCIA Para evitar accidentes desconecte siempre la herramienta de la fuente de energía antes de la limpieza o de la realización de cualquier mantenimiento. La herramienta se puede limpiar más eficazmente con aire comprimido seco. Use gafas de seguridad siempre que limpie herramientas con aire comprimido.

Las aberturas de ventilación y las palancas de interruptor deben mantenerse limpias y libres de materias extrañas. No intente limpiar introduciendo objetos puntiagudos a través de las aberturas.

Revise periódicamente para asegurarse de que el protector inferior y todas las piezas móviles estén funcionando en forma adecuada.

Saque el serrín acumulado en las piezas que están trabajando, soplando con aire a presión o limpiando con un paño húmedo.

ADVERTENCIA Ciertos agentes de limpieza y disolventes dañan las piezas de plástico. Algunos de estos son: gasolina, tetracloruro de carbono, disolventes de limpieza clorados, amoníaco y detergentes domésticos que contienen amoníaco.

Cuidado de las hojas

Las hojas se desafilan incluso al cortar madera normal. Si usted tiene que forzar la sierra hacia adelante para que corte, en vez de simplemente guiarla a través del corte, lo más probable es que la hoja esté desafilada o cubierta de resina de madera.

Cuando limpie la hoja para quitarle la goma y la resina de madera, desenchufe la sierra y quite la hoja. Recuerde, las hojas están diseñadas para cortar, así que manipúlelas cuidadosamente. Limpie la hoja con queroseno o con un disolvente similar para eliminar la goma y la resina. A menos que usted tenga experiencia en afilar hojas, le recomendamos que no lo intente.

Lubricación de las herramientas

Su herramienta Bosch ha sido lubricada adecuadamente y está lista para la utilización. Se recomienda que las herramientas con engranajes se vuelvan a engrasar con un lubricante especial para engranajes en cada cambio de escobillas.

Lubrique periódicamente las piezas en movimiento con silicona, o un rocío de aceite liviano. No utilice grasa porque tiende a atraer y retener el serrín.

Cojinetes

Todos los cojinetes de esta herramienta están lubricados con una cantidad suficiente de lubricante de alto grado para la vida de la unidad en circunstancias normales de funcionamiento. No se requiere lubricación adicional.

Localización y reparación de averías

Guía de localización y reparación de averías eléctricas

PROBLEMA	CAUSA	MEDIDA DE CORRECCION
El freno no detiene la hoja al cabo de 5 segundos.	<ol style="list-style-type: none">1. Escobillas no asentadas o que se pegan ligeramente o gastadas.2. Motor recalentado debido al uso de una hoja desafilada o al uso demasiado pesado de una hoja, al uso de un accesorio no recomendado o a la realización de ciclos rápidos de encendido y apagado.3. Perno de la hoja flojo.4. Otra.	<ul style="list-style-type: none">— Inspeccione/limpie o cambie las escobillas (vea la sección Mantenimiento).— Use una hoja afilada.— Use una hoja recomendada.— Deje que la sierra se enfríe.— Apriete el perno de la hoja.— Servicio autorizado.
El motor no arranca.	<ol style="list-style-type: none">1. Compruebe que la unidad esté enchufada.2. Fusible de fuente de energía o de acción retardada.3. Escobillas desgastadas.4. El mango no está en la posición correcta.5. Otra.	<ul style="list-style-type: none">— Enchufe la unidad. Use otro tomacorriente.— Fusible de acción retardada o cortacircuito de 15 A.— Vea Cambio de las escobillas en la sección Mantenimiento y lubricación.— Asegure el mango en una de las cuatro posiciones correctas.— Servicio autorizado.
Se produce un destello de luz proveniente de la tapa del extremo del motor cuando se suelta el interruptor.	<ol style="list-style-type: none">1. Normal. El freno automático funciona adecuadamente.	

Localización y reparación de averías

Guía de localización y reparación de averías generales

PROBLEMA	CAUSA	MEDIDA DE CORRECCION
El ensamblaje del cabezal no se inclina hasta la posición deseada.	<ol style="list-style-type: none"> 1. Está puesto el tope de bisel de 33.9°. 2. El ajuste de la perilla selectora de intervalo de biseles limita el movimiento. 	<ul style="list-style-type: none"> — Tire del tope de 33.9° y gírelo 90°. — Cambie el ajuste del intervalo.
La hoja golpea la mesa.	<ol style="list-style-type: none"> 1. Desalineación. 	<ul style="list-style-type: none"> — Servicio autorizado.
El ángulo de corte no es preciso.	<ol style="list-style-type: none"> 1. Desalineación. 	<ul style="list-style-type: none"> — Vea la sección Ajustes.
No se puede mover el ajuste de ingletes.	<ol style="list-style-type: none"> 1. Pomo de fijación apretado/retén acoplado 2. Serrín debajo de la mesa. 3. El sistema de ajuste microfino está acoplado. 4. La hoja interfiere con el tope-guía. 	<ul style="list-style-type: none"> — Afloje el pomo de fijación/muévalo hacia afuera del retén. — Limpie el polvo por aspiración o con chorro de aire. Use protección para los ojos. — Desacople el sistema. — Servicio autorizado.
El ensamblaje del cabezal no sube completamente o el protector de la hoja no se cierra completamente.	<ol style="list-style-type: none"> 1. Fallo de pieza. 2. Resorte del pivote o resorte del protector no colocado adecuadamente después del servicio de ajustes y reparaciones. 3. No se apretó la placa de cubierta después de cambiar la hoja. 4. Acumulación de serrín. 	<ul style="list-style-type: none"> — Servicio autorizado. — Servicio autorizado. — Vea Instalación de la hoja en la página 49. — Limpie el ensamblaje del cabezal.
La hoja se engancha, se atasca, quema la madera. Cortes bastos.	<ol style="list-style-type: none"> 1. Funcionamiento inadecuado. 2. Hoja desafilada. 3. Hoja inadecuada. 4. Hoja doblada. 	<ul style="list-style-type: none"> — Vea la sección Operaciones básicas de la sierra. — Cambie o afile la hoja. — Cámbiela por una hoja de 12" de diámetro diseñada para el material que se esté cortando. — Cambie la hoja.
La herramienta vibra o tiembla.	<ol style="list-style-type: none"> 1. Hoja de sierra no redonda. 2. Hoja de sierra dañada. 3. Hoja de sierra floja. 4. Otra. 	<ul style="list-style-type: none"> — Cambie la hoja. — Cambie la hoja. — Apriete el perno de la hoja. — Servicio autorizado.
La hoja no corta completamente la pieza de trabajo.	<ol style="list-style-type: none"> 1. El tornillo del tope de profundidad está ajustado para el corte de ranuras. 	<ul style="list-style-type: none"> — Vea Ajuste del tope de profundidad en la sección Ajustes.
El ensamblaje del cabezal no se desliza libremente al intentar un corte deslizante. El ensamblaje del cabezal se desliza hacia adelante y hacia atrás al hacer un corte de troceado.	<ol style="list-style-type: none"> 1. El pomo de fijación de los rieles de deslizamiento está apretado. 2. El pomo de fijación de los rieles de deslizamiento no está apretado. 	<ul style="list-style-type: none"> — Afloje el pomo de fijación de los rieles de deslizamiento. — Empuje el ensamblaje del cabezal completamente contra el tope. Apriete el pomo de fijación de los rieles de deslizamiento.
El ajuste del bisel no guarda su posición.	<ol style="list-style-type: none"> 1. Debe apretarse el ensamblaje de la palanca de fijación del bisel. 	<ul style="list-style-type: none"> — Apriete la palanca de fijación del bisel como se indica en la página 53.

Accesorios

DWM40L Localizador de ángulos digital/calculador de cortes compuestos/transportador de ángulos/nivel MiterFinder™ – Muestra la información necesaria para posicionar los cortes de modo que se ajusten con precisión entre sí, incluso si el cuarto no tiene paredes a escuadra.

MS1220 Base de soporte plegable con ruedas – Proporciona un soporte firme para la sierra y facilita el transporte de entrada y salida de los lugares de obra.

MS1221 Abrazadera horizontal de acción rápida – Sujeta la pieza de trabajo contra el tope-guía. Se monta en el lado izquierdo o derecho de la mesa.

MS1226 Abrazadera de acción rápida (vertical) de repuesto

MS1227 Sistema de extensión de soporte del material – Incluye dos bases de soporte ajustables.

MS1228 Tope de soporte de moldura de techo (2) – Posiciona con precisión y soporta la moldura de techo cuando se ubica en ángulo contra el tope-guía.

MS1229 Juego de varillas de base extralargas – Consiste en varillas de acero de repuesto que extienden la anchura total de la base a 50-1/2".

MS1230 Juego de topes de longitud

MS1231 Accesorios de inserción para la separación de corte de repuesto

MS1232 Bolsa para polvo de repuesto

Base de soporte portátil T3B TracRac™ con ruedas
Aumenta la capacidad para material a 20 pies.

Sécurité



AVERTISSEMENT « LISEZ TOUTES LES INSTRUCTIONS » — L'utilisateur qui négligerait de suivre les CONSIGNES DE SÉCURITÉ précédées d'un POINT NOIR (●) CI-DESSOUS et de prendre d'autres précautions élémentaires risquerait de subir de graves blessures.

Consignes générales de sécurité pour les outils d'établi

Zone de travail

- **Gardez la zone de travail propre et bien éclairée.** Les établis encombrés et les endroits sombres invitent les accidents.
- **N'utilisez pas les outils électriques en atmosphères explosives, comme en présence de poussière, de gaz ou de liquides inflammables.** Les outils électriques créent des étincelles qui peuvent enflammer la poussière ou les vapeurs.
- **Gardez les spectateurs, les enfants et les visiteurs à l'écart lorsque vous utilisez un outil électrique.** Les distractions peuvent vous faire perdre le contrôle.
- **Rangez les outils inutilisés hors de portée des enfants et autres personnes sans formation à cet égard.** Les outils sont dangereux entre les mains d'utilisateurs non formés.
- **Ne laissez pas l'outil en marche, sans surveillance, mettez hors tension.** Ne laissez pas l'outil avant qu'il soit à l'arrêt complet.
- **RENDEZ L'ATELIER À L'ÉPREUVE DES ENFANTS** à l'aide de cadenas ou d'interrupteurs principaux, ou en retirant les clés du démarreur.

Sécurité électrique

- **Avant de brancher l'outil à une prise de courant, assurez-vous que la tension fournie correspond, à 10 % près, à celle spécifiée sur la plaque signalétique.** Une tension de sortie incompatible avec celle spécifiée sur la plaque signalétique risque de blesser sérieusement l'utilisateur sans mentionner l'endommagement de l'outil.
- **Les outils à double isolation sont pourvus d'une fiche polarisée (une lame est plus large que l'autre). Cette fiche ne peut être insérée dans une prise polarisée que d'une seule façon. Si la fiche ne s'insère pas à fond dans la prise, inversez la fiche. Si elle ne rentre toujours pas, contactez un électricien qualifié pour faire poser une prise polarisée. Ne modifiez la fiche d'aucune façon.** La double isolation élimine la nécessité d'un cordon mis à la terre à trois fils et d'une alimentation mise à la terre.
- **Évitez tout contact corporel avec les surfaces mises à la terre telles que tuyaux, radiateurs, cuisinières et réfrigérateurs.** Ces surfaces posent un risque accru de secousses électriques si votre corps est mis à la terre.

- **N'exposez pas les outils électriques à la pluie ou à l'humidité.** L'eau pénétrant dans un outil électrique augmentera le risque de secousses électriques.
- **N'abusez pas du cordon. N'utilisez jamais le cordon pour transporter les outils et ne tirez pas la fiche d'une prise. Tenez le cordon à l'écart de la chaleur, de l'huile, des arêtes vives ou des pièces mobiles. Remplacez les cordons abîmés immédiatement.** Les cordons abîmés augmentent le risque de secousses électriques.
- **Lorsque vous utilisez un outil électrique à l'extérieur, utilisez un cordon de rallonge pour service extérieur marqué « W-A » ou « W ».** Ces cordons sont prévus pour usage extérieur et réduisent le risque de secousses électriques.

Sécurité personnelle

- **Demeurez vigilant, surveillez ce que vous faites et faites preuve de discernement en utilisant un outil électrique.** Un moment d'inattention ou la prise de drogues, d'alcool ou de médicaments peut s'avérer dangereux durant l'utilisation d'un outil électrique.
- **Portez des vêtements convenables. Ne portez pas de vêtements amples ni de bijoux. Pour les cheveux longs, nous conseillons le port d'un serre-tête. Tenez les cheveux, les vêtements et les gants à l'écart des pièces mobiles.** Les vêtements amples, les bijoux ou les cheveux longs risquent de s'accrocher dans les pièces mobiles. Roulez les manches longues au-dessus du coude. Le port de gants en caoutchouc et de chaussures à semelle antidérapante est recommandé si vous travaillez à l'extérieur.
- **Évitez la mise en marche accidentelle. Assurez-vous que l'interrupteur est à l'ARRÊT avant de brancher.** Le transport de l'outil avec le doigt sur l'interrupteur ou le branchement d'outils dont l'interrupteur est à la position de MARCHE invite les accidents.
- **Enlevez les clés de réglage et autres clés avant de mettre l'outil en MARCHE.** Une clé qui est laissée fixée à une pièce rotative de l'outil sera projetée.
- **Travaillez avec aplomb et équilibre à tout moment,** ce qui aide à mieux contrôler l'outil dans les cas imprévus.
- **Ne montez pas sur l'outil ni sur son support.** Des blessures graves peuvent être causées en cas de basculement de l'outil ou de contact accidentel avec l'outil de coupe. Ne conservez pas de matériaux sur ou à proximité de l'outil de sorte qu'il soit nécessaire de monter sur l'outil ou son support pour les atteindre.

« CONSERVEZ CES INSTRUCTIONS »

Sécurité



AVERTISSEMENT « LISEZ TOUTES LES INSTRUCTIONS » — L'utilisateur qui négligerait de suivre les CONSIGNES DE SÉCURITÉ précédées d'un POINT NOIR (●) CI-DESSOUS et de prendre d'autres précautions élémentaires risquerait de subir de graves blessures.

- **Utilisez l'équipement de sécurité. Portez toujours des lunettes à coques latérales.** Un masque anti-poussière, des chaussures de sécurité, un casque dur ou des protège-oreilles doivent être utilisés si la situation l'exige. Les lunettes de tous les jours comportent uniquement des verres résistant aux chocs. Ce NE SONT PAS des lunettes de sécurité.

Utilisation et entretien de l'outil

- **Utilisez des pinces ou autre façon pratique d'assujettir et de supporter l'ouvrage à une plate-forme stable.** Tenir l'ouvrage à la main ou contre son corps n'assure pas la stabilité voulue. L'ouvrage peut ainsi se déplacer, faire gripper l'outil et vous faire perdre le contrôle de l'outil.
- **Ne forcez pas l'outil. Utilisez l'outil convenant à votre application.** L'outil convenable exécutera le travail plus efficacement et plus sûrement à la vitesse à laquelle il est conçu. N'utilisez pas l'outil à une fin autre que celle à laquelle il est prévu — ainsi, n'utilisez pas la scie à onglet pour trancher les viandes.
- **N'utilisez pas l'outil si l'interrupteur ne le met pas en MARCHÉ et à l'ARRÊT.** Tout outil qui ne peut être commandé par l'interrupteur est dangereux.
- **Débranchez la fiche de la prise de courant avant d'effectuer tout réglage ou de changer les accessoires.** Ces mesures préventives réduisent le risque d'une mise en marche accidentelle.
- **Gardez les outils de coupe affilés et propres.** Des outils bien entretenus, avec tranchants affilés, sont moins susceptibles de gripper et plus faciles à contrôler. Lorsque vous montez des lames de scie, assurez-vous que la flèche de la lame correspond au sens de la flèche marquée sur l'outil et que les dents pointent également dans le même sens.
- **Inspectez les protecteurs avant d'utiliser un outil. Gardez les protecteurs en place. Vérifiez si les pièces mobiles grippent ou tout autre état pouvant influencer sur le fonctionnement normal ou les fonctions de sécurité de l'outil. Si l'outil est abîmé, faites-le réparer avant de l'utiliser.** Beaucoup d'accidents sont causés par des outils mal entretenus.
- **Ne modifiez pas l'outil et n'en faites pas un usage inapproprié.** Toute altération ou modification constitue un usage inapproprié et peut causer des blessures graves.
- **L'utilisation de tout autre accessoire non précisé dans ce manuel peut créer un danger.** Les accessoires qui peuvent être adéquats pour un type d'outil peuvent devenir dangereux lorsqu'ils sont utilisés sur un outil inapproprié.

Réparation

- **L'outil ne doit être réparé que par des techniciens de réparation qualifiés.** Les réparations ou l'entretien effectués par des personnes non qualifiées peuvent résulter en un positionnement erroné de composants et de fils internes, ce qui peut provoquer des dangers sérieux.
- **N'utilisez que des pièces de rechange identiques pour réparer un outil. Suivez les consignes contenues dans la section Entretien de ce manuel.** L'utilisation de pièces non autorisées ou le non-respect des consignes d'entretien peut être dangereux.

Consignes de sécurité pour les scies à onglet

- **Utilisez des pinces pour supporter l'ouvrage chaque fois que possible. Si vous supportez l'ouvrage à la main, vous devez toujours garder la main à l'extérieur de la zone interdite aux mains, identifiée par un symbole sur la base. N'utilisez pas cette scie pour couper des pièces qui sont trop petites pour être bien assujetties.** Si elle est placée à l'intérieur de la zone interdite aux mains, votre main peut glisser facilement ou être tirée dans la lame.
- **N'insérez pas la main à l'arrière de la lame de scie, derrière le guide, pour tenir ou supporter l'ouvrage, enlever des débris de bois ou toute autre raison.** La proximité de la lame de scie en rotation à votre main peut ne pas être évidente, et vous pourriez être grièvement blessé.
- **Ne passez jamais la main à travers la ligne de coupe prévue.** Il est très dangereux de supporter l'ouvrage à main croisée, à savoir, en tenant le côté gauche de l'ouvrage avec votre main droite.
- **Débranchez toujours le cordon de la prise de courant avant d'effectuer quelque réglage que ce soit ou de poser des accessoires.** Vous pouvez mettre la scie en marche par mégarde, et être blessé grièvement.
- **Les scies à onglet sont destinées principalement à couper le bois ou des produits similaires ; on ne peut les utiliser avec des meules à tronçonner pour couper des matériaux ferreux tels que barres, tiges, poteaux, etc. Cependant, pour couper des matériaux tels que l'aluminium ou autres métaux non ferreux, utilisez uniquement des lames de scie recommandées spécifiquement pour la coupe de métaux non ferreux.** La coupe de matériaux ferreux forme une quantité excessive d'étincelles et abîmera le protecteur inférieur en plus de créer une surcharge sur le moteur. (REMARQUE : S-B Power Tool Company n'offre pas de lames de 12 po pour couper les métaux.)

« CONSERVEZ CES INSTRUCTIONS »

Sécurité



AVERTISSEMENT « LISEZ TOUTES LES INSTRUCTIONS » — L'utilisateur qui négligerait de suivre les CONSIGNES DE SÉCURITÉ précédées d'un POINT NOIR (●) CI-DESSOUS et de prendre d'autres précautions élémentaires risquerait de subir de graves blessures.

- **Inspectez votre ouvrage avant de couper. Si l'ouvrage est cintré ou gondolé, pincez-le avec la face cintrée extérieure dirigée vers le guide. Assurez-vous toujours qu'il n'y a pas d'écartement entre l'ouvrage, le guide et la table le long de la ligne de coupe.** Les ouvrages pliés ou gondolés peuvent se tordre ou culbuter, et peuvent faire gripper la lame de scie en rotation durant la coupe. Assurez-vous également de l'absence de clous ou de corps étrangers dans l'ouvrage.
- **N'utilisez pas la scie tant que la table n'est pas libérée de tous outils, débris de bois, etc, sauf l'ouvrage.** Les petits débris ou pièces détachées de bois ou autres objets venant en contact avec la lame en rotation peuvent être projetés à haute vitesse en direction de l'opérateur.
- **N'introduisez pas l'ouvrage dans la lame et ne coupez d'aucune manière à « main libre ». L'ouvrage doit être fixe et cramponné ou serré par votre main.** La scie doit être insérée à travers l'ouvrage doucement et à une vitesse qui ne surchargera pas le moteur de la scie.
- **Coupez un seul ouvrage à la fois.** Les ouvrages multiples ne peuvent être cramponnés ou serrés adéquatement, et ils peuvent gripper sur la lame ou se déplacer durant la coupe.
- **Assurez-vous que la scie à onglet est montée ou placée sur une surface de travail ferme et à niveau avant de l'utiliser.** Une surface de travail ferme et à niveau réduit le risque d'instabilité de la scie à onglet.
- **Planifiez votre travail. Obtenez des accessoires de support adéquats tels que tables, chevalets de scieur, rallonge de table, etc. pour les ouvrages plus larges ou plus longs que le dessus de la table (voir page 88).** Les ouvrages plus longs ou plus larges que la table de la scie à onglet peuvent basculer s'ils ne sont pas supportés adéquatement. Si la pièce tronçonnée ou l'ouvrage bascule, il peut lever le protecteur inférieur ou être projeté par la lame en rotation.
- **N'utilisez pas une autre personne en remplacement d'une rallonge de table ou comme support supplémentaire.** Un support instable de l'ouvrage peut faire gripper la lame ou déplacer l'ouvrage durant la coupe, tirant ainsi votre assistant et vous-même dans la lame en rotation.
- **La pièce tronçonnée ne doit pas être bloquée contre la lame de scie en rotation ni être pressée par aucun autre moyen contre celle-ci.** Si elle est captive, en utilisant des butées de longueur, par exemple, elle pourrait être coincée contre la lame et être projetée violemment.
- **Utilisez toujours un serre-joints ou un dispositif conçu de manière à supporter adéquatement les matériaux ronds tels que les goujons ou les tubes.** Les goujons ont tendance à rouler pendant qu'on les coupe, ce qui amène la lame à « mordre » et tire l'ouvrage et votre main dans la lame.
- **En coupant des ouvrages de forme irrégulière, planifiez votre travail de manière à ce que l'ouvrage ne glisse pas et ne vienne pas pincer la lame, pour être ensuite tiré de votre main.** Une pièce de moulure doit ainsi être posée à plat et être tenue par un dispositif ou une monture qui l'empêchera de tordre, basculer ou glisser pendant la coupe.
- **Laissez la lame atteindre une vitesse maximum avant de la mettre en contact avec l'ouvrage.** Ceci aidera à éviter la projection d'ouvrages.
- **Si l'ouvrage ou la lame se bloque ou se coince, mettez la scie à onglet à l'ARRÊT en relâchant l'interrupteur. Attendez que toutes les pièces mobiles s'arrêtent et débranchez la scie à onglet avant de libérer les matériaux coincés.** Le fait de continuer à scier avec l'ouvrage coincé pourrait entraîner une perte de contrôle ou des dommages à la scie à onglet composée.
- **La tête de scie est secouée vers le bas sous l'effet de l'action de freinage de la scie. Soyez prêt à cette réaction en pratiquant une coupe incomplète ou en relâchant l'interrupteur avant que la tête ne soit complètement descendue.**
- **Après avoir terminé la coupe, relâchez l'interrupteur, tenez le bras de la scie en bas et attendez que la lame s'arrête avant de retirer l'ouvrage ou la pièce tronçonnée. Si la lame ne s'arrête pas dans un délai de cinq (5) secondes, débranchez la scie et suivez les consignes apparaissant dans la section Dépannage. IL EST DANGEREUX D'INSÉRER LA MAIN SOUS UNE LAME EN TRAIN DE S'IMMOBILISER.**
- **Il existe des consignes de sécurité supplémentaires pour les opérations particulières de la scie dans la section relative au fonctionnement. Lisez le reste du manuel pour une utilisation sûre de la scie.**
- **Pour une coupe à action coulissante, TIREZ d'abord l'ensemble de tête de scie à l'écart du guide, jusqu'à ce que la lame dégage l'ouvrage ou jusqu'à son prolongement maximum si la lame ne peut dégager l'ouvrage. Assurez-vous que le serre-joint ne gêne pas l'ensemble de protecteur et tête. Mettez ensuite la scie en MARCHE et abaissez la scie jusqu'à la table. PUSSEZ alors la scie à travers l'ouvrage. Relâchez l'interrupteur et attendez que la lame s'arrête complètement avant de relever l'ensemble de tête et de retirer l'ouvrage.** Ne jamais « coupez en tirant » car la lame peut grimper sur l'ouvrage causant ainsi un REBOND.
- **Pour une coupe à action de fente, faites glisser l'ensemble de tête vers l'arrière aussi loin que possible et serrez le bouton de blocage de glissière. Mettez ensuite la scie en MARCHE et abaissez l'ensemble de tête pour pratiquer la coupe. Relâchez l'interrupteur et attendez que la lame s'arrête complètement avant de relever l'ensemble de tête et de retirer l'ouvrage.** Si le bouton de blocage de glissière n'est pas serré, la lame peut soudainement grimper sur le dessus de l'ouvrage et forcer son chemin vers vous.

« CONSERVEZ CES INSTRUCTIONS »

Sécurité

AVERTISSEMENT « LISEZ TOUTES LES INSTRUCTIONS » — L'utilisateur qui négligerait de suivre les CONSIGNES DE SÉCURITÉ précédées d'un POINT NOIR (●) CI-DESSOUS et de prendre d'autres précautions élémentaires risquerait de subir de graves blessures.

- Ne laissez pas la familiarité tirée d'une utilisation fréquente de votre scie à onglet atténuer votre vigilance. N'oubliez jamais qu'une fraction de seconde d'insouciance suffit à causer des blessures graves.
- PENSEZ EN TERMES DE SÉCURITÉ. LA SÉCURITÉ EST UNE COMBINAISON DE BON SENS, DE CONNAISSANCE DES CONSIGNES DE SÉCURITÉ ET DE FONCTIONNEMENT, ET DE VIGILANCE CONSTANTE DE LA PART DE L'OPÉRATEUR LORS DE L'UTILISATION DE LA SCIE À ONGLET.

AVERTISSEMENT LES AVERTISSEMENTS CI-APRÈS SE TROUVENT SUR VOTRE OUTIL. CES AVERTISSEMENTS NE SONT QU'UNE FORME CONDENSÉE DES RÈGLES ET PRÉCAUTIONS DE SÉCURITÉ PLUS DÉTAILLÉES QUI APPARAISSENT DANS VOTRE MANUEL. ELLES SERVENT À VOUS RAPPELER TOUTES LES RÈGLES DE SÉCURITÉ NÉCESSAIRES À UNE UTILISATION SÛRE DE CETTE SCIE À ONGLET.

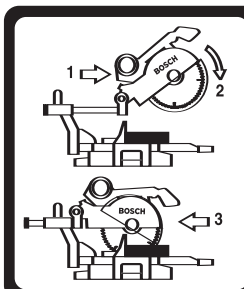
AVERTISSEMENT Les travaux à la machine tel que ponçage, sciage, meulage, perçage et autres travaux du bâtiment peuvent créer des poussières contenant des produits chimiques qui sont des causes reconnues de cancer, de malformation congénitale ou d'autres problèmes reproductifs. Ces produits chimiques sont, par exemple :

- Le plomb provenant des peintures à base de plomb,
- Les cristaux de silices provenant des briques et du ciment et d'autres produits de maçonnerie, et
- L'arsenic et le chrome provenant des bois traités chimiquement

Le niveau de risque dû à cette exposition varie avec la fréquence de ces types de travaux. Pour réduire l'exposition à ces produits chimiques, il faut travailler dans un lieu bien ventilé et porter un équipement de sécurité approprié tel que certains masques à poussière conçus spécialement pour filtrer les particules microscopiques.



ZONE DÉSIGNÉE DE DANGER. ÉVITER DE PLACER LES MAINS, LES DOIGTS OU LES BRAS DANS LA ZONE DÉSIGNÉE PAR CE SYMBOLE.



AVERTISSEMENT PARA REALIZAR UN CORTE CON ACCIÓN DESLIZANTE, SIGA SIEMPRE ESTAS INSTRUCCIONES:

1. TIRE del carro de la sierra alejándolo del tope-guía, hasta que la hoja pase la pieza de trabajo o hasta su máxima extensión si la hoja no puede pasar la pieza de trabajo.
2. Encienda la sierra y bájela hasta la mesa.
3. EMPUJE la sierra a través de la pieza de trabajo. No corte nunca corte "tirando de la sierra", ya que la hoja podría trepar por la pieza de trabajo, causando RETROCESO.

AVERTISSEMENT POUR UNE COUPE LE LONG D'UN GUIDE, TOUJOURS SUIVRE CES INSTRUCTIONS:

1. TIRER le cadre de la scie hors du guide, jusqu'à ce que la lame sorte de la pièce de travail ou à son extension maximum si celle-ci ne peut sortir de la pièce.
2. Mettre la scie sur « MARCHE » et l'abaisser vers la table.
3. POUSSER la scie dans la pièce à couper. Ne jamais couper en tirant, la lame pourrait monter sur la pièce de travail et provoquer un REBOND.


AVERTISSEMENT Pour réduire le risque de blessure, lire et comprendre le mode d'emploi. ▲ Porter des lunettes et un masque de protection. ▲ Utiliser une lame homologuée pour 3 800 coups/min ou plus. ▲ Ne pas utiliser la scie sans système de protection en état de marche. Si le dispositif de protection ne fonctionne pas correctement, le faire réparer. Après un changement de lame, remettre le dispositif de protection en position de fonctionnement. ▲ Garder les mains à une distance sûre de la lame de scie. Toujours rester hors de la zone Pas de mains. ▲ Maintenir ou fixer la pièce à travailler contre une base ou un guide. Ne jamais effectuer d'opération à main libre. ▲ Ne pas couper en face de la main. Ne jamais placer la main ou le bras dans le trajet prévu de la lame. Le moteur à l'ARRÊT, simuler un trajet sans couper pour vérifier la portée de la lame. ▲ Après l'ARRÊT de la scie, garder la scie en position basse et attendre que la lame s'arrête avant de retirer les pièces découpées ou de changer de réglage. ▲ Afin d'éviter une décharge électrique, ne pas exposer à la pluie ni utiliser dans des endroits humides. ▲ En cas de réparation, n'utiliser que des pièces de rechange identiques. ▲ Pour une coupe en biseau ou de composé, régler le guide coulissant hors du trajet de la lame et du dispositif de protection.

« CONSERVEZ CES INSTRUCTIONS »

Sécurité

AVERTISSEMENT « LISEZ TOUTES LES INSTRUCTIONS » — L'utilisateur qui négligerait de suivre les CONSIGNES DE SÉCURITÉ précédées d'un POINT NOIR (●) CI-DESSOUS et de prendre d'autres précautions élémentaires risquerait de subir de graves blessures.

Double isolation

La double isolation  est utilisée dans les outils électriques pour éliminer le besoin de cordon d'alimentation avec prise de terre et de dispositif d'alimentation à prise de terre. Elle est homologuée par l'Underwriter's Laboratories, l'ACNOR et l'OSHA.

- L'entretien d'un outil à double isolation exige la connaissance du système et la compétence d'un technicien qualifié.
- EN CAS D'ENTRETIEN, N'UTILISEZ QUE DES PIÈCES DE RECHANGE IDENTIQUES.
- FICHES POLARISÉES. Si votre outil est équipé d'une fiche polarisée (une lame plus large que l'autre) elle ne s'enfiche que d'une manière dans une prise polarisée. Si la fiche n'entre pas à fond dans la prise, tournez-la d'un demi-tour. Si elle refuse encore d'entrer, demandez à un électricien qualifié d'installer une prise appropriée. Ne modifiez la fiche d'aucune façon.

« CONSERVEZ CES INSTRUCTIONS »

Rallonges

- Remplacez immédiatement toute rallonge endommagée. L'utilisation de rallonges endommagées risque de provoquer un choc électrique, des brûlures ou l'électrocution.
- En cas de besoin d'une rallonge, utilisez un cordon de calibre satisfaisant pour éviter toute chute de tension, perte de courant ou surchauffe. Le tableau ci-contre indique le calibre des rallonges recommandées en fonction de leur longueur et de l'intensité indiquée sur la plaque du constructeur de l'outil. En cas de doute, optez pour le prochain calibre inférieur. Utilisez toujours des rallonges homologuées par l'U.L. et l'ACNOR.

DIMENSIONS DE RALLONGES RECOMMANDÉES

Intensité nominale de l'outil	OUTILS 120 VOLTS C.A. Longueur en pieds Calibre A.W.G.			
	25	50	100	150
3-6	18	16	16	14
6-8	18	16	14	12
8-10	18	16	14	12
10-12	16	16	14	12
12-16	14	12	S/O	S/O

REMARQUE : Plus le calibre est petit, plus le fil est gros.

Spécifications électriques

1. Branchez cette scie sur un circuit de dérivation de 120 V, 15 A avec disjoncteur ou fusible à action différée de 15 A. L'utilisation du mauvais type de fusible peut abîmer le moteur.
2. Les fusibles peuvent sauter ou les disjoncteurs peuvent se déclencher souvent si le moteur est surchargé. Il peut y avoir surcharge si vous introduisez la lame dans l'ouvrage trop rapidement ou si vous mettez en marche et à l'arrêt trop souvent dans un période brève.
3. La plupart des troubles de moteur sont attribuables à des connexions lâches ou incorrectes, à une surcharge, à une basse tension (telle que fil de petit calibre dans le circuit d'alimentation ou fil trop long de circuit d'alimentation). Vérifiez toujours les connexions, la charge et le circuit d'alimentation chaque fois que le moteur ne fonctionne pas bien.

Frein électrique

Votre scie est équipée d'un frein électrique automatique qui est conçu de manière à empêcher la lame de tourner environ cinq (5) secondes après que vous ayez relâché la gâchette de commande. Cette particularité est utile pour pratiquer certaines coupes dans le bois alors qu'une lame qui se déplace par inertie entraînerait une coupe large et imprécise.

AVERTISSEMENT Lorsqu'il y a panne de courant en raison d'un fusible grillé ou d'autres causes, le moteur ralentit progressivement et l'action de freinage est amorcée UNIQUEMENT par le relâchement de la gâchette de commande.

Le frein électrique de lame de votre scie a été conçu en vue du plus haut niveau de fiabilité, mais il se peut que le frein ne soit pas actionné sous l'effet de circonstances imprévues telles que la contamination sur le commutateur et les balais ou la défaillance des composants du moteur. Dans ce cas, mettez la scie en MARCHE et à l'ARRÊT quatre ou cinq fois en évitant tout contact entre la scie et le matériau. Si l'outil fonctionne mais le frein n'arrête pas uniformément la lame en environ cinq (5) secondes, N'utilisez PAS la scie et faites-la réparer immédiatement.

AVERTISSEMENT L'action de freinage de cette scie n'est pas destinée à servir de mesure de sécurité. N'oubliez pas de laisser la lame de scie s'arrêter complètement avant de la retirer du matériau. Comme toujours, le système de protecteurs constitue la meilleure façon d'éviter le contact accidentel avec une lame de scie qui tourne. Vous ne devez JAMAIS ouvrir en forçant ni empêcher l'action de fermeture du protecteur inférieur.

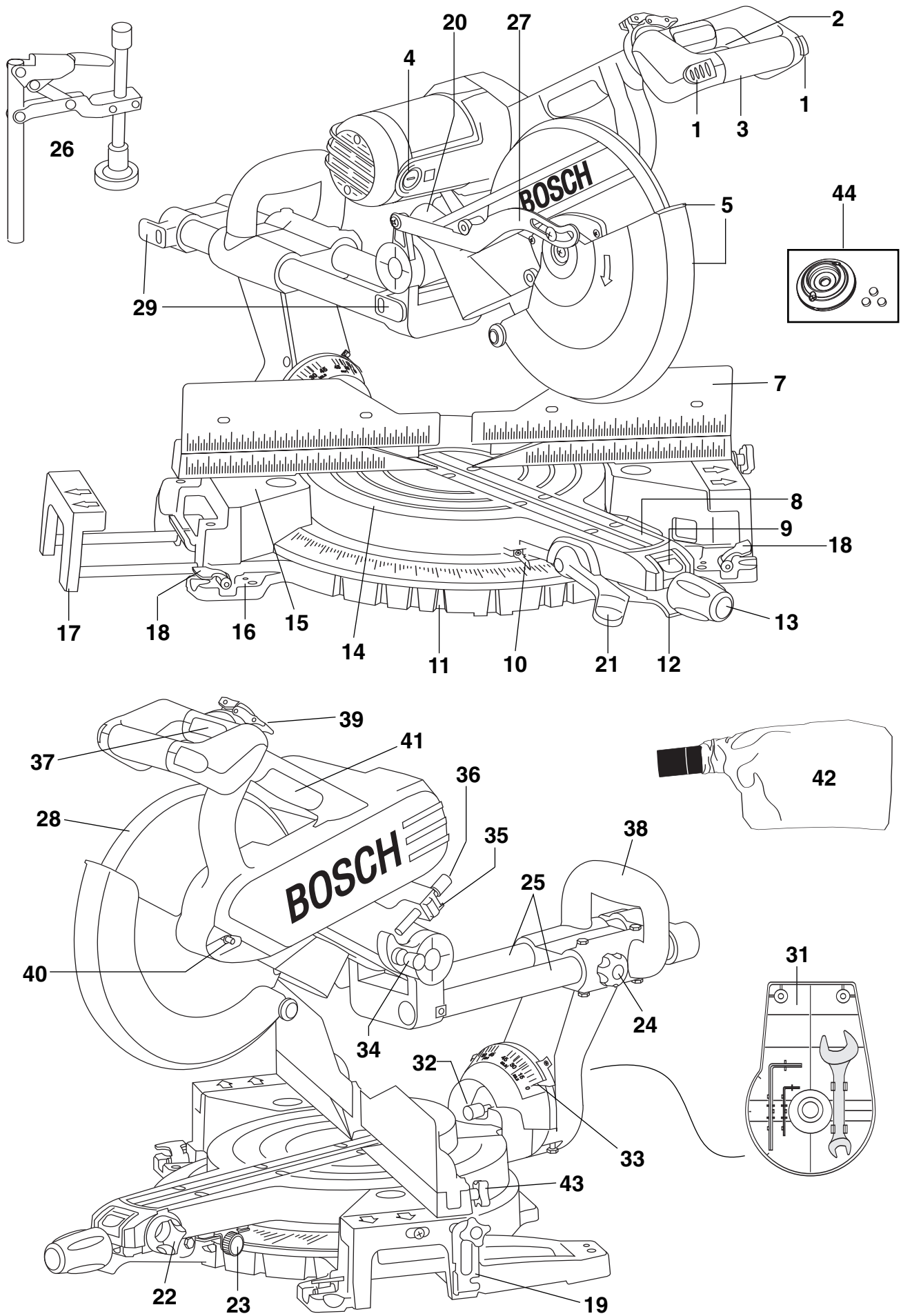
Table des matières

	Page		Page
Sécurité	78-82	Applications de montage	95
Consignes générales de sécurité pour les outils d'établi	78-79	Montage de la scie	96
Consignes de sécurité pour les scies à onglet	79-82	Réglage de la poignée-interrupteur à quatre positions	96
Spécifications électriques	82	Opérations de base de la scie	97-101
Table des matières	83	Position du corps et des mains	97
Familiarisez-vous avec votre scie à onglet	84-85	Support de l'ouvrage	98
Déballage et vérification du contenu	86	Actionnement de l'interrupteur	99
Outils nécessaires à l'assemblage et à l'alignement	86	Court-circuitage du cran d'arrêt	100
Assemblage	78-88	Système de réglage micrométrique de l'onglet	100
Pose et dépose de la lame	87	Rallonge de base/guide à glissière	101
Montage du bouton de blocage de l'onglet	88	Opérations de la scie	102-110
Assemblage du coude de poussière et du sac à poussière ..	88	Coupe de fente	102
Réglages	89-94	Coupe par glissement	102
Contrôle du réglage de l'inclinaison à 0°	89	Coupe à l'onglet	103
Réglage de la lame sur 0°	89	Coupe en biseau	104-105
Contrôle de la butée d'inclinaison à 45° à droite	90	Coupes composées	105
Réglage de la butée d'inclinaison à 45° à droite	90	Coupe de rainures	106
Contrôle de la butée d'inclinaison à 45° à gauche	91	Butée de longueur	106
Réglage de la butée d'inclinaison à 45° à gauche	91	Coupe de moulures de base	107
Réglage de la tension du levier de blocage du biseau	91	Coupe de moulures en couronne	107-109
Lame d'équerre par rapport au guide	92	Coupes spéciales	110
Réglage de l'indicateur d'échelle d'onglet	92	Maintenance et lubrification	111-112
Insert d'encoche	93	Remplacement de la courroie	111
Réglage de la profondeur	93	Dépannage	112-113
Réglage du coulisseau	94	Accessoires	114
Transport, positionnement et montage	95-96	Garantie	116

Familiarisez-vous avec votre scie à onglet

AVERTISSEMENT Pour éviter les blessures résultant d'une mise en marche accidentelle, débranchez la fiche de la prise de courant avant d'effectuer quelque réglage que ce soit.

- 1. Bouton de déblocage du verrouillage de l'interrupteur sur arrêt** – Il faut appuyer sur un de ces deux boutons avant de pouvoir appuyer sur l'interrupteur.
- 2. Interrupteur** – L'interrupteur utilisé avec le bouton de blocage à l'arrêt « Lock-OFF » met la scie sous tension.
- 3. Poignée principale** – Cette poignée comprend l'interrupteur. Abaissez-la pour faire descendre la lame et la faire pénétrer dans la pièce.
- 4. Capuchons de balai** – Ces capuchons gardent les balais de moteur en place et facilitent l'accès pour inspection et remplacement des balais.
- 5. Protecteur inférieur de lame/rebord de protecteur inférieur** – Le protecteur inférieur de lame aide à protéger vos mains contre la lame en rotation. Il se rétracte au fur et à mesure que la lame est abaissée. Le rebord peut être utilisé pour lever le protecteur inférieur lorsque le protecteur se coince sur un ouvrage.
- 6. Lame** – Utilisez exclusivement des lames de 10 po avec moyeu de 5/8 po.
- 7. Guide coulissant** – Supporte l'ouvrage. Le guide possède une échelle graduée incorporée pour faciliter les coupes à répétition. Le guide comporte également des trous qui servent à fixer un guide auxiliaire, si désiré.
- 8. Inserts d'encoche** – Les inserts d'encoche peuvent être ajustés à différentes largeurs de lame afin de réduire au minimum les risques d'arrachement de l'ouvrage.
- 9. Court-circuitage du cran d'arrêt d'onglet** – Permet d'inhiber le cran d'arrêt et d'ainsi effectuer des micro-réglages à tout angle d'onglet.
- 10. Indicateur d'angle d'onglet/échelle d'onglet** – Cette échelle est moulée dans la base de la scie. L'indicateur est fixé à la table.
- 11. Crans d'onglet** – Il y a dix (10) encoches pour crans d'onglet permettant de se régler rapidement et précisément aux angles d'onglet les plus courants.
- 12. Levier de cran d'onglet** – Ce levier efface le cran, permettant ainsi de libérer la table.
- 13. Bouton de blocage d'onglet** – Le bouton de blocage d'onglet bloque la table de la scie à onglet à tout angle d'onglet désiré.
- 14. Table** – Repose dans la base, supporte l'ouvrage, tourne pour coupes à onglet désirées et tourne la tête. La partie avant prolongée de la table est appelée le bras d'onglet.
- 15. Base** – Assure une surface de travail pour supporter l'ouvrage.
- 16. Coussinets de montage de l'outil** – Les quatre coins de la scie comportent des surfaces permettant de cramponner, boulonner ou clouer la scie à une surface de travail plate.
- 17. Rallonges d'embase coulissantes** – Ces rallonges apportent un support supplémentaire à la pièce et sont surtout utiles pour le sciage des pièces longues.
- 18. Leviers de blocage des rallonges d'embase** – Ces leviers bloquent les rallonges d'embase à la position désirée.
- 19. Butée de longueur** – Pour faire des sciages à répétition de la même longueur. On peut la placer à gauche si on le désire.
- 20. Raccord d'aspiration** – le raccord d'aspiration permet d'adapter la glissière à poussière ainsi que le sac à poussière, ou un adaptateur d'aspiration en option VAC004 qui permet de connecter des tuyaux Bosch de 35 mm.
- 21. Levier de blocage du biseau** – Le levier de blocage du biseau positionné à l'avant permet de bloquer l'ensemble de la tête à l'angle de biseau désiré.
- 22. Bouton de sélection de la plage d'inclinaison** – permet de choisir la plage d'inclinaison entre 0° et 45° à gauche, 0° et 45° à droite ou la plage complète entre 47° à gauche et 46° à droite.
- 23. Système de réglage micrométrique de l'onglet** – permet de régler finement les angles jusqu'à 2 degrés à gauche ou à droite des crans.
- 24. Bouton de blocage du coulisseau** – Le bouton de blocage des rails coulissants (coulisseau) bloque ces derniers quand on ne scie pas en faisant coulisser la scie ou lorsqu'on transporte la scie.
- 25. Rails coulissants** – Guident l'ensemble de tête lorsque vous pratiquez des coupes par glissement.
- 26. Trous de positionnement de la bride à action rapide** – Il y a deux (2) trous (non illustrés) derrière le guide qui permettent de monter la bride à action rapide.
- 27. Raccord d'actionnement du protecteur inférieur** – Permet un mouvement en douceur du protecteur inférieur.
- 28. Protecteur supérieur de lame** – Couvre la partie supérieure de la lame.
- 29. Dispositif d'enroulement du cordon** – Vous permet d'enrouler facilement le cordon pour le ranger quand vous transportez ou que vous entreposez la scie.
- 30. Cordon d'alimentation** – Fournit le courant au moteur.
- 31. Rangement d'outil sur le couvercle arrière** – rangement pour la clé plate combinée de 10 mm/17 mm ainsi que les clés hexagonales en L de 1,5 mm & 3 mm.
- 32. Goupille du cran de biseau (réglage pour corniche)** – Vous permet de facilement bloquer l'ensemble de la tête sur l'angle de biseau à 33,9° à gauche ou à droite.
- 33. Échelle des angles de biseau** – Grande échelle inclinée pour vous permettre de lire facilement l'angle de biseau.
- 34. Cheville de blocage de tête** – La scie à onglet est pourvue d'une cheville de blocage servant à bloquer la tête en position abaissée.
- 35. Bouton de déblocage rapide de la butée de profondeur** – Vous permet de débloquer rapidement la butée de profondeur.
- 36. Bouton de réglage fin de la butée de profondeur** – Vous permet de régler la profondeur de la lame pour pratiquer des rainures dans une pièce.
- 37. Manette de déblocage de la rotation de la poignée** – Tirez sur cette manette pour permettre à la poignée de tourner. Relâchez la manette dans l'une des quatre positions d'utilisation.
- 38. Poignée de transport arrière** – Utilisée pour soulever l'outil.
- 39. Blocage de la poignée** – Bloque la poignée à la position désirée.
- 40. Blocage de l'arbre** – Permet à l'utilisateur d'empêcher la lame de tourner lors du serrage ou du desserrage de la vis de l'arbre pendant les changements de lame ou lorsqu'on démonte celle-ci.
- 41. Poignée de transport avant** – Utilisée pour soulever l'outil
- 42. Sac à poussière et raccord coudé** – pour ramasser le bran de scie.
- 43. Bouton de blocage du guide coulissant** – pour maintenir la position du guide après réglage de la coulisse.
- 44. Laser pour arbre / pile 3x.**



Déballage et vérification du contenu

AVERTISSEMENT Avant de déplacer la scie : serrez le bouton de blocage de l'onglet sur la position 60°. Serrez la poignée de blocage de l'inclinaison. Amenez l'ensemble de la tête à fond vers vous et serrez le bouton de blocage du coulisseau. Bloquez l'ensemble de la tête en position basse.

Ne transportez jamais l'outil par ses tiges de coulisseau car cela risque d'abîmer la lame. Ne portez jamais l'outil par son cordon ou par la poignée d'interrupteur d'alimentation de l'ensemble de la tête. Il y a risque de choc électrique si vous abîmez l'isolant. Il y a risque d'incendie si vous endommagez les connexions électriques.

Votre nouvelle scie à onglet modèle 4410 est vendue complète en un seul carton, mais il vous faudra peut-être effectuer un certain nombre de réglages et d'alignements avant de pouvoir scier des pièces précises.

Séparez toutes les pièces du matériau d'emballage et contrôlez-les toutes en les comparant à la « liste des pièces détachées » pour vous assurer qu'elles sont toutes présentes avant de commencer à jeter les matériaux d'emballage.

Liste des pièces détachées

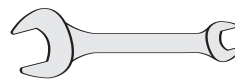
- Bride rapide** (article No 25 à la page 84)
- Raccord coudé/sac à poussière** (article No 42 à la page 84)
- Outil multifonctions** (voir ci-dessous)
- Bouton de blocage de l'onglet** (article No 13 à la page 84)
- Clé hexagonale en L de 1,5 mm** (voir ci-dessous)
- Clé hexagonale en L de 3 mm** (voir ci-dessous)
- Clé plate combinée de 10mm/17 mm** (voir ci-dessous)
- Laser pour arbre / pile 3x / Mode d'emploi du laser pour arbre**

AVERTISSEMENT S'il manque des pièces, il ne faut ni brancher le cordon ni mettre l'outil en marche avant d'avoir obtenu et installé correctement les pièces manquantes.

Outils nécessaires à l'assemblage et à l'alignement



Outil multifonctions avec embout (4 mm/Philips #2)
(fourni, rangé à l'arrière droit de l'embase)



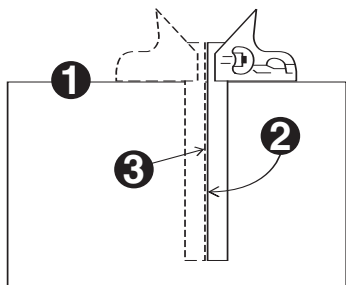
Clé plate combinée de 10 mm/17mm
(fournie, voir figure ci-dessous)



Équerre combinée (non comprise)



Clés hexagonales en L de 1,5 & 3 mm
(fournies, voir figure ci-dessous)

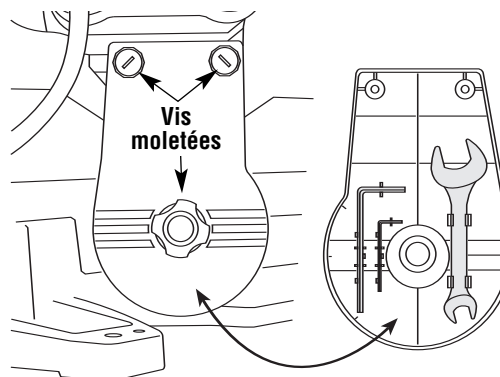


L'équerre combinée doit être juste

1. Utilisez le chant d'une règle de 3/4 po d'épaisseur (ce chant doit être parfaitement droit).
2. Tracez un trait sur la planche le long du chant.
3. Il ne doit y avoir aucun jeu ou chevauchement quand l'équerre est retournée pour la mettre dans la position en pointillés du schéma.

Rangement d'outil sur le couvercle arrière

La clé plate et les clés hexagonales sont rangées à l'intérieur du couvercle arrière de la scie. Pour enlever le couvercle, dévissez les deux vis moletées situées en haut et celle située au centre.



Assemblage

Pose et dépose de la lame

AVERTISSEMENT Débranchez la prise avant tout assemblage, réglage ou réparation afin d'éviter tout risque de blessure.

1. La scie à onglet est munie d'une goupille de blocage qui sert à bloquer la scie en position basse. Pour la débloquer, appuyez sur la poignée pour l'abaisser légèrement et sortez la goupille complètement en tirant puis pivotez-la de 90°.

REMARQUE : Si vous avez du mal à sortir la goupille en tirant dessus, il se peut qu'il vous faille régler le boulon de butée de profondeur afin de pouvoir abaisser la poignée.

2. Desserrez, mais n'enlevez pas complètement, les deux vis de la plaque-couvercle (avant et arrière). (Figure 1)

3. Soulevez le capot inférieur et la plaque-couvercle de manière à pouvoir accéder au boulon de lame (Figure 1).

4. Enlevez le boulon de lame en appuyant sur le blocage de l'arbre (article No 40 à la page 9) tout en tournant le boulon dans le sens horaire à l'aide de l'outil multifonctions

REMARQUE : Le boulon de lame est fileté à gauche

5. Enlevez le boulon de lame, le rondelle extérieure et la lame. N'enlevez pas le rondelle intérieure (Figure 2).

6. Installez la lame de 10 po sur l'arbre (Figure 3).

REMARQUE : assurez-vous que la flèche située sur la lame et indiquant son sens de rotation est dans le même sens que la flèche de sens de rotation (sens horaire) située sur le capot inférieur.

AVERTISSEMENT Pour éviter toute blessure, n'utilisez pas de lame d'un diamètre supérieur ou inférieur à 10 po avec un moyeu plus petit ou plus grand que 5/8 po. Une lame plus petite ne couperait pas complètement la pièce et une lame plus grande scierait la table ou les capots.

7. Remettez la rondelle extérieure en place dans son orientation correcte et serrez le boulon de lame à la main.

8. Appuyez sur le blocage de l'arbre et serrez le boulon de lame, fermement mais pas trop fort.

9. Faites pivoter la plaque-couvercle pour la remettre à sa position originale et serrez ses deux vis.

AVERTISSEMENT Il ne faut jamais utiliser la scie si la plaque-couvercle n'est pas fermement serrée à sa place. Le capot inférieur ne fonctionnerait pas correctement.

10. Assurez-vous que le blocage de l'arbre est déverrouillé et que la lame tourne librement.

AVERTISSEMENT Après avoir installé la nouvelle lame, assurez-vous qu'elle n'interfère pas avec les éléments rapportés de la table aux angles d'inclinaison de 0° et 45°. Abaissez la lame dans la fente de la table et vérifiez qu'elle ne touche ni l'embase ni la structure de la table tournante. Si elle touche l'une ou l'autre, contactez un réparateur agréé.

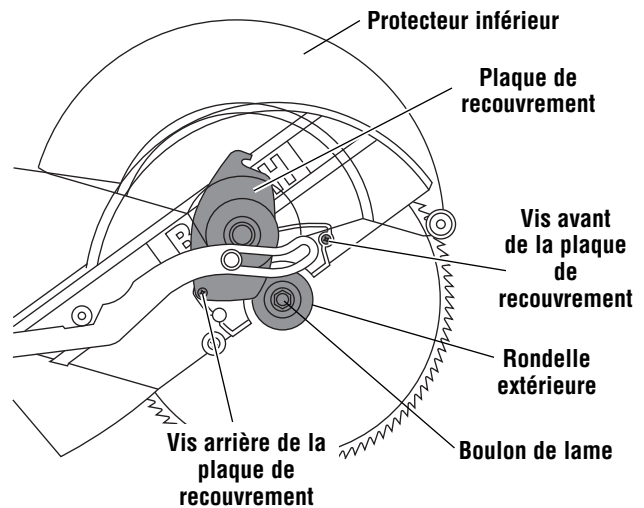


Figure 1. Dépose de la lame

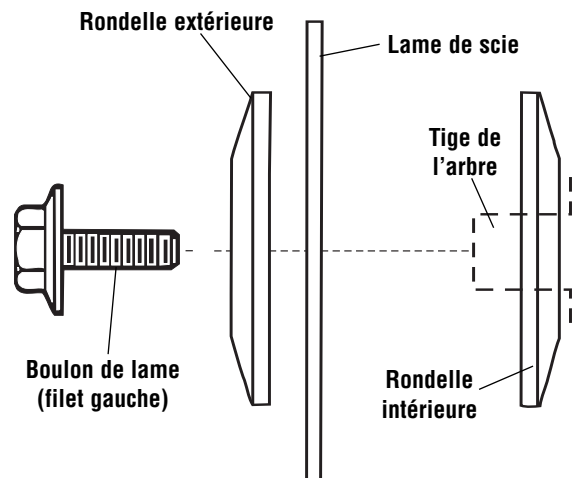


Figure 2. Ferrures de lame

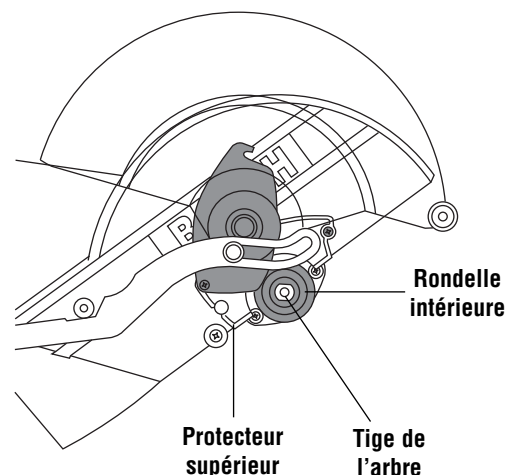
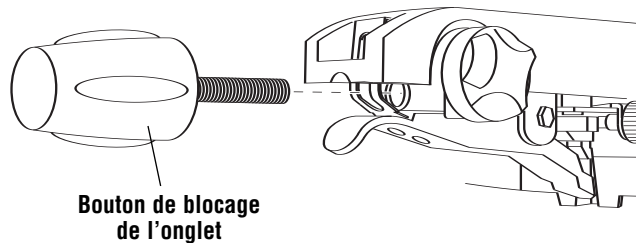


Figure 3. Pose de lame

Assemblage

Montage du bouton de blocage de l'onglet

Cherchez le bouton de blocage de l'onglet parmi les pièces détachées et vissez son axe dans l'ensemble d'encliquetage de l'onglet comme illustré.



Assemblage du coude de poussière et du sac à poussière

1. Le bras d'onglet étant bloqué en position descendue, poussez le coude de poussière sur la orifice poussière. Enfoncez le sac à poussière sur le coude et faites pivoter les deux pièces pour les mettre dans la position désirée.
2. Positionnez le coude/sac à poussière de manière à ce qu'il ne gêne pas l'outil durant la coupe pour tous les réglages d'onglet et de biseau. Assurez-vous que le sac à poussière ne gêne pas les rails coulissants durant la coupe par glissement.
3. Le sac doit être vidé lorsqu'il est plein de bran de scie. Videz-le souvent et après avoir fini de scier. Retirez soigneusement le sac à poussière du coude à poussière. Videz le sac à poussière dans une poubelle appropriée en ouvrant la fermeture à glissière du sac. Faites particulièrement attention au bran de scie mis au rebut car les fines particules de matières peuvent être explosives. Ne jetez pas de bran de scie dans un feu ouvert. Une combustion spontanée peut parfois résulter d'un mélange d'huile ou d'eau avec des particules de poussière.

REMARQUE : Le raccord d'aspiration convient à l'adaptateur pour tuyau d'aspiration Bosch VAC004, qui permet de raccorder un tuyau d'aspiration Bosch de 35 mm.

AVERTISSEMENT Redoublez de prudence en sciant du bois traité chimiquement sous pression, de la peinture pouvant être à base de plomb ou tout autre matériau pouvant contenir des agents cancérigènes. Un respirateur adéquat doit être porté par tous les personnes pénétrant dans l'aire de travail. L'aire de travail doit être scellée à l'aide de feuilles en plastique, et les personnes non protégées doivent être maintenues à l'extérieur jusqu'à ce que la zone de travail soit nettoyée à fond.

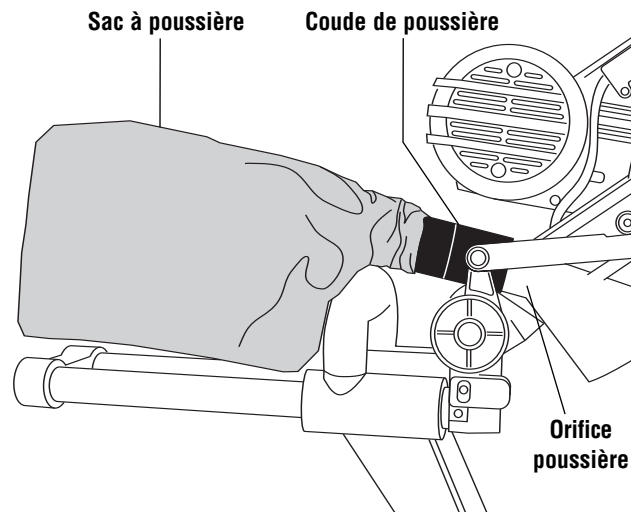


Figure: Coude et sac à poussière

Réglages

AVERTISSEMENT Débranchez la prise avant tout assemblage, réglage ou réparation afin d'éviter tout risque de blessure.

REMARQUE : Votre scie à onglet a été entièrement réglée en usine. Il se peut toutefois qu'elle se soit légèrement dérégulée pendant le transport. Contrôlez les réglages suivants et ajustez-les si nécessaire avant d'utiliser votre scie à onglets.

Contrôle du réglage de l'inclinaison à 0°

1. Abaissez l'ensemble de la tête et enclenchez sa goupille de blocage.
2. Faites coulisser l'ensemble de tête à fond vers l'arrière et serrez le bouton de blocage du coulisseau.
3. Tournez la table pour l'amener à la position d'onglet 0°.
4. Soulevez le levier de blocage de l'inclinaison pour déverrouiller cette dernière.
5. Contrôlez la position du bouton de sélection de la plage d'inclinaison, il devrait être sur la position 0°-45°.
6. Inclinez l'ensemble de la scie vers la gauche, puis faites-la pivoter vers la droite jusqu'à ce que vous sentiez la butée à la position verticale. C'est la position actuelle du réglage de l'inclinaison à 0°.

À l'aide d'une équerre combinée, vérifiez que la lame est d'équerre par rapport à la table. Mettez l'équerre sur la table et appuyez-la contre la lame. Si la lame ne touche pas l'équerre sur toute sa longueur, (Figure 1), suivez la méthode d'alignement.

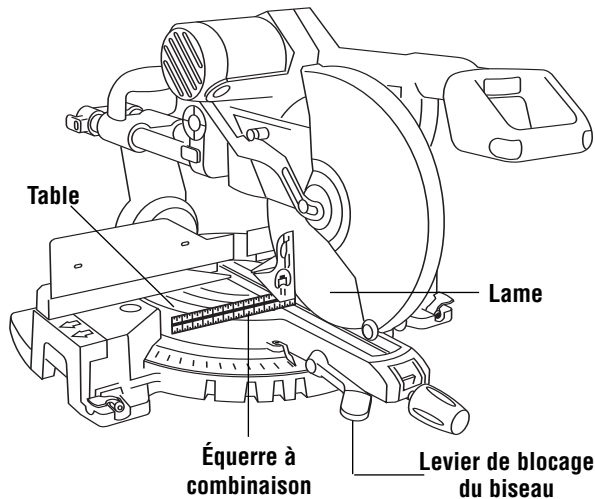


Figure 1. Lame d'équerre par rapport à la table

Réglage de la lame sur 0° (90° par rapport à la table)

REMARQUE : Ce réglage ajuste également automatiquement les butées à 33.9°.

1. Enlevez le couvercle arrière pour pouvoir accéder aux boulons.
2. Soulevez le levier de blocage de l'inclinaison pour déverrouiller celle-ci.
3. Desserrez les têtes de boulons 'A' & 'B' d'au moins un tour complet à l'aide de la clé plate de 10 mm (Figure 2).
4. Placez l'embout de clé Allen de 4 mm sur l'outil multifonctions et dévissez la vis de blocage 'D' d'au moins 3 tours complets (Figure 2).

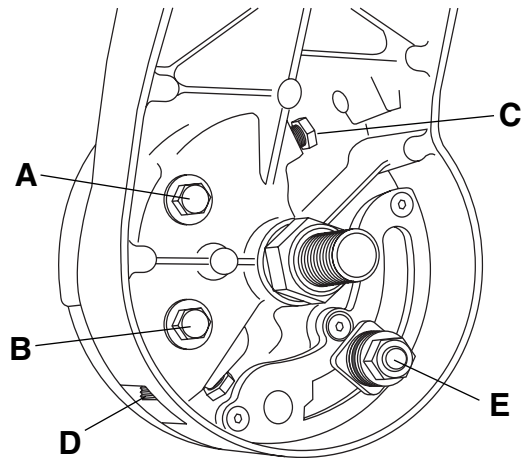


Figure 2. Réglage de la lame à 0° (90° par rapport à la table)

5. Placez l'équerre combinée sur la table et appuyez-la contre la lame. (voir figure 1)
6. Tout en tournant la tête du boulon 'C', observez l'inclinaison de la lame et continuez jusqu'à ce que la lame soit alignée sur l'équerre combinée.
7. Serrez la vis de blocage 'D'.
8. Serrez les têtes des boulons 'A' & 'B'
9. Contrôlez que les aiguilles indiquant l'inclinaison pointent sur 0° de chaque côté de l'échelle d'inclinaison. Réglez si nécessaire.
10. Appuyez sur le levier de blocage du biseau jusqu'à ce que vous le sentiez s'encliqueter dans la position de blocage.

Réglages

AVERTISSEMENT Débranchez la prise avant tout assemblage, réglage ou réparation afin d'éviter tout risque de blessure.

Contrôle de la butée d'inclinaison à 45° à droite

1. Abaissez l'ensemble de la tête et enclenchez sa goupille de blocage.
2. Faites coulisser l'ensemble de tête à fond vers l'arrière et serrez le bouton de blocage du coulisseau.
3. Tournez la table pour l'amener à la position d'onglet 0°.
4. Soulevez le levier de blocage de l'inclinaison pour déverrouiller cette dernière.
5. Mettez le bouton de sélection de la plage d'inclinaison sur la position 0°-45° à droite. (voir page 104)
6. Inclinez la scie vers la droite jusqu'à ce que vous sentiez la butée à 45° à droite. C'est la position actuelle du réglage de l'inclinaison à 45° à droite.
7. À l'aide d'une équerre combinée, contrôlez la position de la lame en butée à 45°. Mettez la tête de l'équerre combinée sur la table et appuyez sa surface à 45° contre la lame. Si la lame ne touche pas l'équerre sur toute sa longueur, (Figure 1), suivez la méthode d'inclinaison.

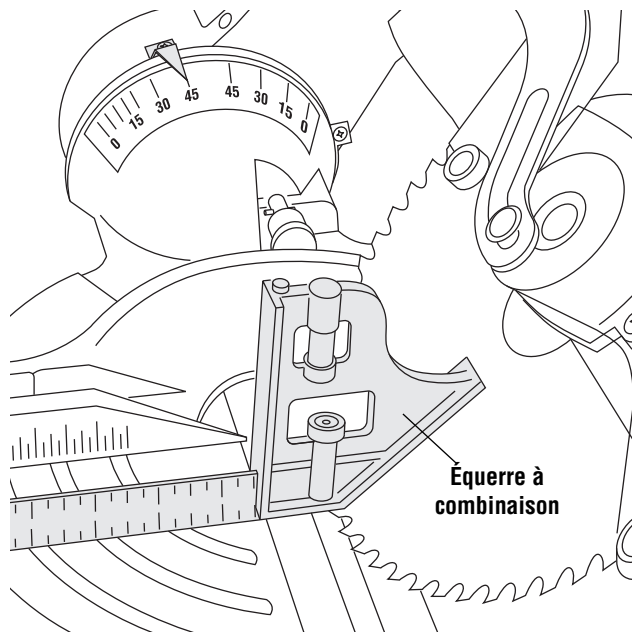


Figure 1. Contrôle de la butée d'inclinaison à 45° à droite

Réglage de la butée d'inclinaison à 45° à droite

1. Soulevez le levier de blocage de l'inclinaison pour déverrouiller celle-ci.
2. Inclinez la scie à la position 45° à droite.
3. Placez l'équerre combinée de manière à appuyer sa surface à 45° contre la lame. (Figure 1)
4. Enfilez la clé en L de 3 mm dans le trou situé sur le bâti de support vertical. (Figure 2)
5. Tournez la clé en L tout en observant la lame et continuez jusqu'à ce que celle-ci s'aligne sur la surface à 45° de l'équerre.
6. Réglez l'aiguille indiquant l'inclinaison pour l'amener en face du trait à 45° sur l'échelle de l'inclinaison.

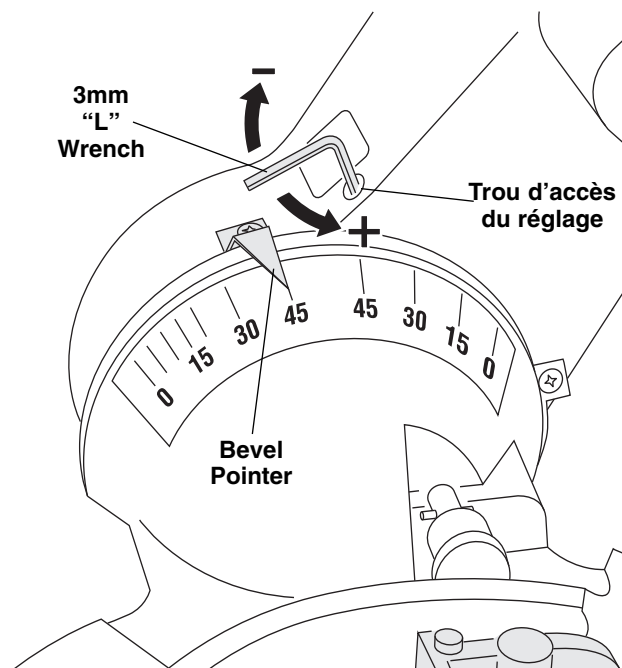


Figure 2. Réglage de la butée d'inclinaison à 45° à droite

Contrôle de la butée d'inclinaison à 45° à gauche

1. Abaissez l'ensemble de la tête et enclenchez sa goupille de blocage.
2. Faites coulisser l'ensemble de la tête à fond vers l'arrière et serrez le bouton de blocage du coulisseau.
3. Tournez la table pour l'amener à la position d'onglet 0°.
4. Soulevez le levier de blocage de l'inclinaison pour déverrouiller cette dernière.
5. Mettez le bouton de sélection de la plage d'inclinaison sur la position 45°-0°. (voir page 104)
6. Inclinez l'ensemble de la scie vers la gauche, puis tournez-la vers la droite jusqu'à ce que vous sentiez la butée à 45° à gauche. C'est la position actuelle du réglage de l'inclinaison à 45° à gauche.
7. À l'aide de la tête d'une équerre combinée (branche graduée enlevée), contrôlez la position de la lame en butée à 45°. Mettez la tête de l'équerre combinée sur la table et appuyez sa surface à 45° contre la lame. Si la lame ne touche pas l'équerre sur toute sa longueur, (Figure 1), suivez la méthode d'inclinaison.

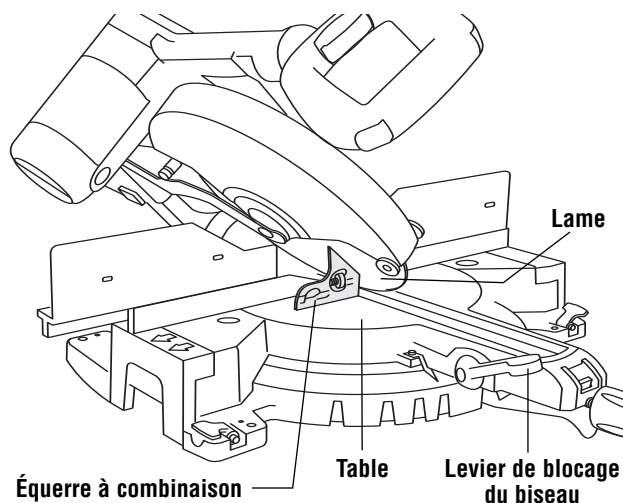


Figure 1. Contrôle de la butée d'inclinaison à 45° à gauche

Réglage de la butée d'inclinaison à 45° à gauche

1. Enlevez le couvercle arrière pour pouvoir accéder aux boulons.
2. Soulevez le levier de blocage de l'inclinaison pour déverrouiller celle-ci.
3. Inclinez la scie à 45° à gauche.
4. Enlevez la branche graduée de l'équerre combinée et placez cette dernière de manière à appuyer sa surface à 45° contre la lame. (Figure 1)
5. Placez la clé plate de 10 mm sur la tête de boulon 'F'. Tout en tournant le boulon 'F', observez l'inclinaison de la lame et continuez jusqu'à ce que la lame soit alignée sur la surface à 45° de l'équerre combinée. (Figure 2)
6. Réglez l'aiguille indiquant l'inclinaison pour l'amener en face du trait à 45° sur l'échelle de l'inclinaison.

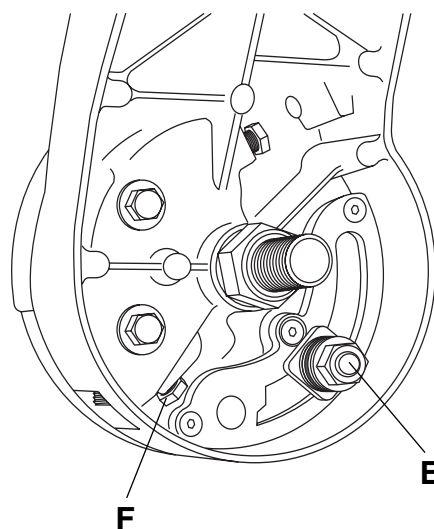


Figure 2. Réglage de la butée d'inclinaison à 45° à gauche

Réglage de la tension du levier de blocage de l'inclinaison

1. Soulevez le levier de blocage de l'inclinaison pour déverrouiller celle-ci.
2. Placez la clé plate de 17 mm sur la tête du boulon 'E' (Figure 2).
3. Tournez l'écrou 'E' en sens horaire de 1/8 tour pour resserrer le blocage de l'inclinaison ou d'un 1/8 tour en sens opposé pour le desserrer.
4. Appuyez sur le levier de blocage du biseau jusqu'à ce que vous le sentiez s'encliqueter dans la position de blocage.
5. Contrôlez que la tension du levier de blocage de l'inclinaison est suffisante pour maintenir fermement l'inclinaison tout en permettant au levier de s'abaisser jusqu'à sa butée franche.
6. Si nécessaire, répétez les étapes 1 à 5 pour régler la tension.

Réglages

AVERTISSEMENT Débranchez la prise avant tout assemblage, réglage ou réparation afin d'éviter tout risque de blessure.

Lame d'équerre par rapport au guide

1. Faites coulisser la scie vers l'avant de manière à ce que la lame soit à peu près au centre de la table et serrez le bouton de blocage du coulisseau.
2. Abaissez l'ensemble de la tête et enfoncez sa goupille de blocage.
3. Réglez la table à la position d'onglet à 0° et serrez le bouton de blocage de l'onglet.
4. Placez l'équerre combinée contre le guide avec sa branche graduée parallèle à la lame. La branche graduée doit toucher la lame mais pas les dents. Si la lame n'est pas droite contre la branche graduée, suivez la méthode d'alignement du guide. (Figure 1)
6. Desserrez le bouton de blocage du coulisseau et faites coulisser l'ensemble de la tête vers l'arrière pour vérifier l'équerre du mouvement de coupe du coulisseau en entier par rapport à la branche graduée de l'équerre.

Réglage des guides

- a. Enlevez les deux guides en desserrant les boutons des guides, déployez les guides complètement en les faisant coulisser et tirez dessus vers le haut.
- b. Il faut laisser l'ensemble de la tête en position basse.
- c. Desserrez les 4 boulons six pans situés derrière les guides à l'aide de la clé multifonctions (Figure 2).
- d. Réglez les guides de manière à ce que la lame et les guides touchent complètement l'équerre.
- e. Serrez les 4 boulons six-pans
- f. Remontez le guide coulissant.

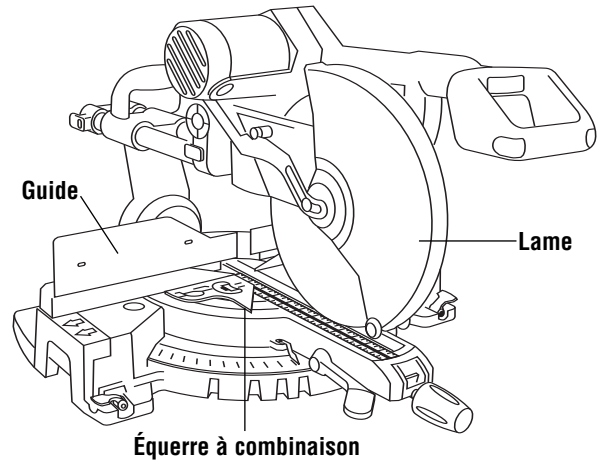


Figure 1. Lame d'équerre par rapport au guide

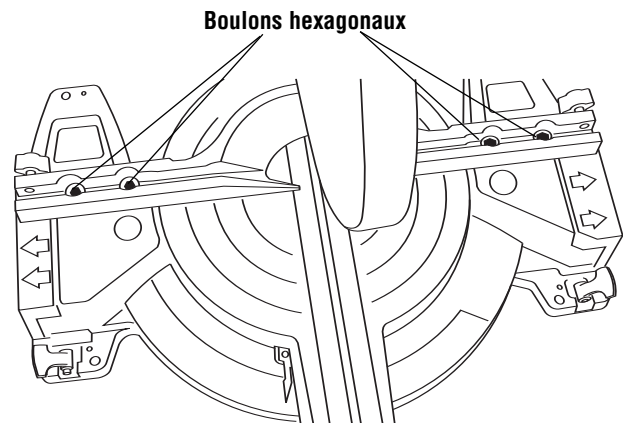


Figure 2. Réglage du guide

Réglage de l'aiguille de l'échelle d'onglet

1. Réglez la table à la position 0° et serrez le bouton de blocage de l'onglet.
2. Relevez l'ensemble de la tête à fond.
3. Desserrez la vis Phillips qui maintient l'aiguille en place.
4. Mettez l'aiguille en face du repère 0° et resserrez la vis.

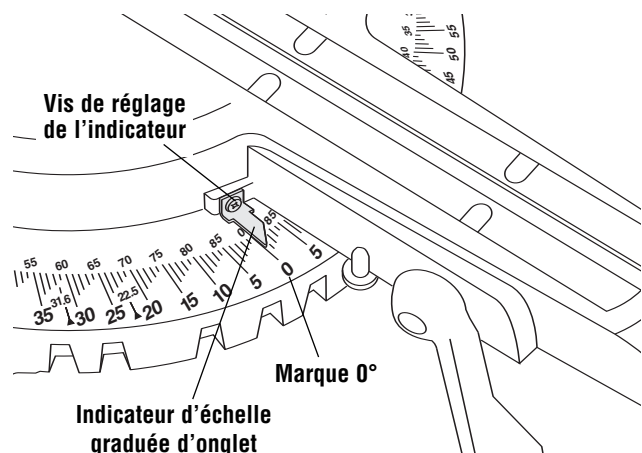


Figure: Réglage de l'échelle graduée d'onglet

Insert d'encoche

L'insert d'encoche doit être ajusté à proximité de la lame, mais sans toucher la lame, pour éviter un arrachement sur le bas de l'ouvrage.

1. Abaissez la tête et bloquez en place.
2. Desserrez les six vis (6) de fixation de l'encoche livrant passage à la lame à l'aide de l'outil universel.
3. Ajustez les inserts d'encoche aussi près que possible de la lame (dents) sans toucher la lame.
4. Serrez les vis d'encoche.

REMARQUE : À des angles extrêmes de biseau, la lame de scie peut couper légèrement dans l'insert d'encoche.

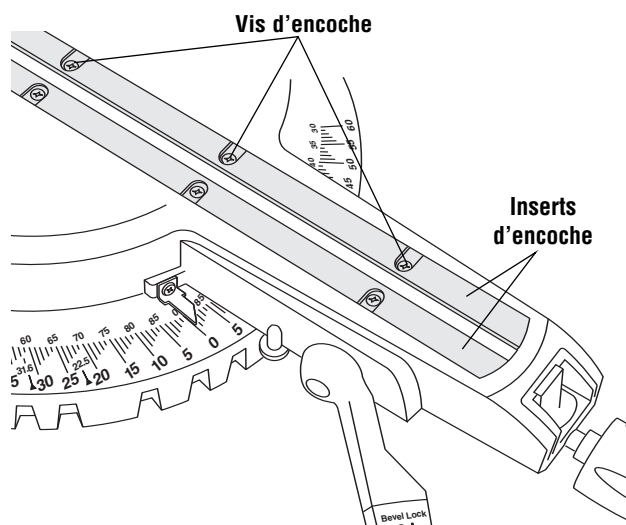


Figure: Insert d'encoche

Réglage de la profondeur

Lorsque le diamètre de la lame a été réduit en raison d'un affûtage, il peut être nécessaire d'ajuster la butée de profondeur. Lorsqu'une nouvelle lame est posée, il faut vérifier l'écartement de la lame par rapport à la structure de la table tournante.

Réglage de la profondeur de la lame pour des sciages débouchants normaux

Le réglage de la butée de profondeur est utilisé pour pratiquer des rainures dans l'ouvrage. (Voir page 106 sur la façon de pratiquer les rainures.)

1. Desserrez et tournez les deux contre-écrous inférieurs pour les amener juste au-dessus de l'extrémité fileté du boulon de butée de profondeur.
2. Enfoncez le bouton de déblocage de la butée de profondeur et tirez sur celle-ci jusqu'à ce que les écrous touchent le dessous de son support.
3. Réglez la table à la position d'onglet à 0°. Abaissez la tête de la scie et repoussez-la à fond vers l'arrière.
4. Tout en surveillant la lame et le coin ou la lame et le guide se rencontrent, tournez le boulon de butée de profondeur de manière à régler la position de la lame à environ 1/4 po en dessous de la surface de la table.
5. Laissez la tête de la scie revenir en position haute.
6. Tournez les deux contre-écrous pour les serrer contre le fond du bâti de support. Serrez les deux contre-écrous l'un contre l'autre.
7. Faites un essai de sciage en faisant coulisser la tête (avec l'outil débranché) pour vérifier que la lame ne touche pas la table. Si elle ne la touche pas, faites un essai de sciage (avec l'outil branché) sur une chute pour vérifier que la coupe débouche complètement au niveau du bord inférieur avant de la pièce.

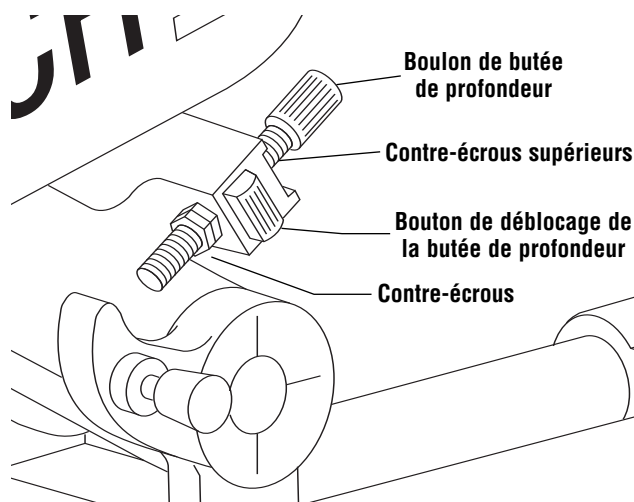


Figure: Réglage de profondeur

⚠ MISE EN GARDE Ne mettez pas la scie à onglet en marche sans avoir vérifié s'il y a l'interférence entre la lame et la structure de la table tournante. La lame pourrait être abîmée si elle coupe dans la structure de la table.

Réglage de la profondeur de coupe pour scier des rainures

On peut facilement régler la butée de profondeur pour limiter la profondeur de sciage, lorsqu'on veut créer une rainure grossière par exemple.

(voir instructions page 106)

Adjustments

AVERTISSEMENT Débranchez la prise avant tout assemblage, réglage ou réparation afin d'éviter tout risque de blessure.

Réglage du coulisseau

1. Repérez les 4 vis de réglage (A,B,C &D) situées sur le boîtier du coulisseau. (Figure 1)
2. Desserrez l'écrou de la vis de réglage (A) à l'aide d'une clé à molette.
3. Serrez ou desserrez la vis de blocage (A) à l'aide de l'extrémité 4 mm de l'embout de l'outil multifonctions de manière à minimiser le jeu du coulisseau tout en maintenant l'effort de glissement désiré.
4. Après avoir réglé la vis de réglage (A), tenez-la à l'aide de la clé Allen de 4 mm et serrez l'écrou à l'aide d'une clé à molette sans bouger la vis de réglage. (Figure 2)
5. Répétez les étapes 2 à 4 pour les vis de réglage restantes dans l'ordre indiqué sur la figure 1.

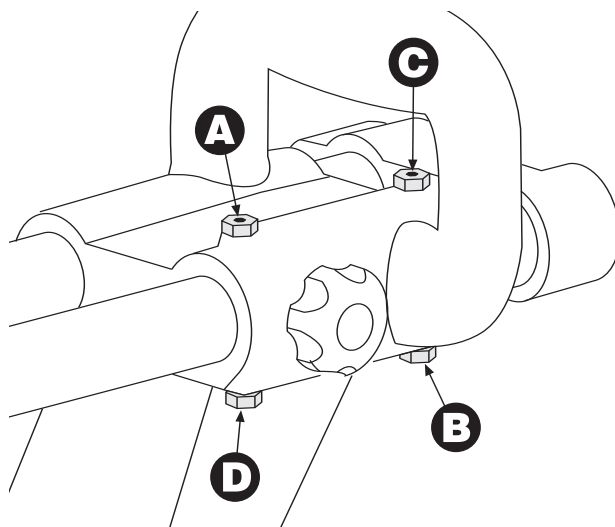


Figure 1. Vis de réglage

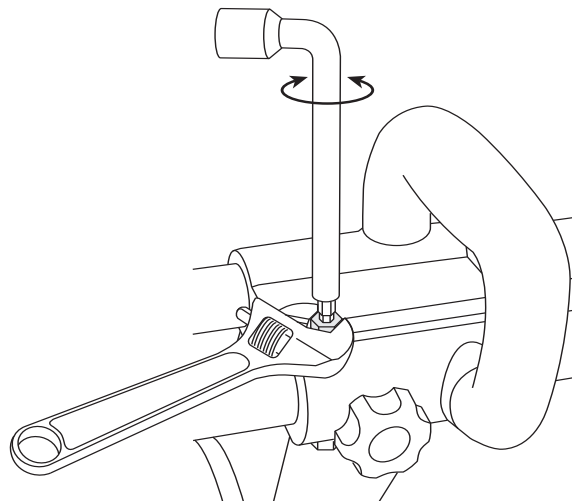


Figure 2. Serrez ou desserrez la vis de blocage

Transport, positionnement et montage

AVERTISSEMENT Pour éviter des blessures, observez toujours les mesures suivantes :

- Débranchez le cordon. Avant de transporter la scie, tournez sa tête et bloquez l'ensemble à 60° à droite, bloquez-la sur le cran, faites coulisser l'ensemble de tête pour l'amener à mi-course des rails coulissants, serrez le bouton de blocage des rails coulissants et bloquez l'ensemble de la tête en position basse.

Pour soulever la scie

- Pour éviter des lésions au dos, tenez l'outil à proximité de votre corps lorsque vous le soulevez. Pliez vos genoux de manière à pouvoir le lever avec les jambes, et non avec le dos.
- Soulevez en utilisant les poignées moulées sur chaque côté au bas de la base.
- Autre méthode de levage : quand vous soulevez l'outil du sol, utilisez la poignée de transport arrière et la poignée de transport avant (située au-dessus du capot protecteur).
- **Ne transportez jamais l'outil par les rails coulissants (coulisseau) car ceci risque d'abîmer la lame.**

Ne soulevez jamais l'outil par la poignée de l'interrupteur car ceci risque de fortement l'endommager.

- Ne transportez jamais la scie à onglet par le cordon électrique ou par la poignée d'opération. Toute tentative de soulever ou de transporter l'outil par le cordon électrique abîmera l'isolation et les connexions de fils, provoquant ainsi une secousse électrique ou un incendie.
- Notez la position de la scie. Les personnes se tenant derrière la scie pourraient être blessées par la projection de débris.
- Placez la scie sur une surface ferme et à niveau comportant amplement d'espace pour manier et supporter adéquatement l'ouvrage.
- Boulonnez, clouez ou cramponnez la scie à son support.

MISE EN GARDE Veillez à ne pas enfoncer excessivement le clou ou à ne pas serrer excessivement le boulon. Ceci pourrait craquer le pied ou abîmer la base.

Applications de montage

Établi

Montez la scie à l'établi à l'aide des quatre trous de boulon (5/16 po) ou des quatre trous de clou. Assurez-vous d'un dégagement suffisant à gauche et à droite de la scie.

1. Chacun des quatre trous de montage doit être boulonné solidement à l'aide de boulons de 5/16 po, de rondelles d'arrêt et d'écrous hexagonaux (non fournis).
2. Repérez et marquez l'emplacement du montage de la scie.
3. Percez quatre (4) trous de 5/16 po de diamètre à travers l'établi.
4. Placez la scie à onglet sur l'établi en alignant les trous de la base sur ceux percés dans l'établi. Posez des boulons, des rondelles d'arrêt et des écrous hexagonaux. Vous pouvez également fixer la scie en vissant des vis à plaques de plâtre par les quatre trous de clou.

La surface d'appui où la scie doit être montée doit être examinée soigneusement après le montage pour s'assurer qu'il ne pourra y avoir aucun mouvement durant l'usage. En cas de basculement ou d'avance, fixez solidement l'établi ou le support avant d'utiliser la scie à onglet composée.

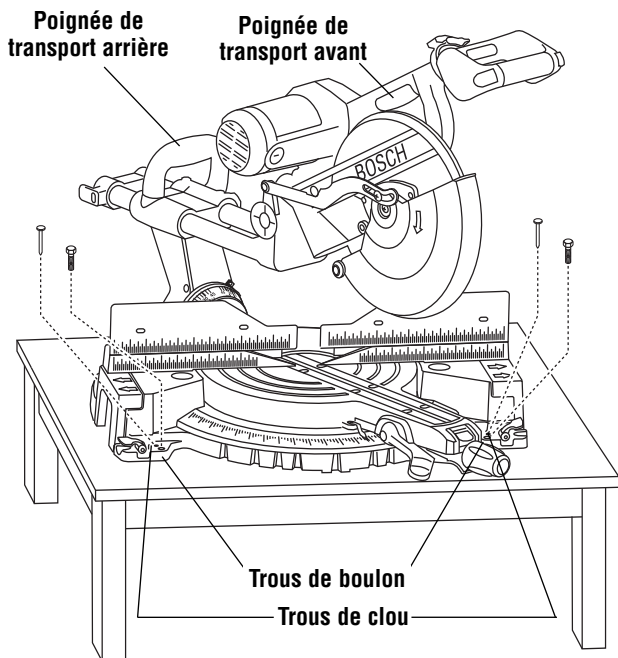


Figure: Montage à l'établi

Montage de la scie

Montage portatif à l'aide de serre-joints

Si nécessaire, bridez la scie à onglet sur un établi ou un dessus de table en plaçant deux serre-joints ou plus sur les zones de serrage puis en les serrant.

REMARQUE : faites bien attention de ne pas mettre les serre-joints sur les leviers de blocage des rallonges de l'embase.

La fixation à l'aide de serre-joints empêche de scier à des angles d'onglet importants.

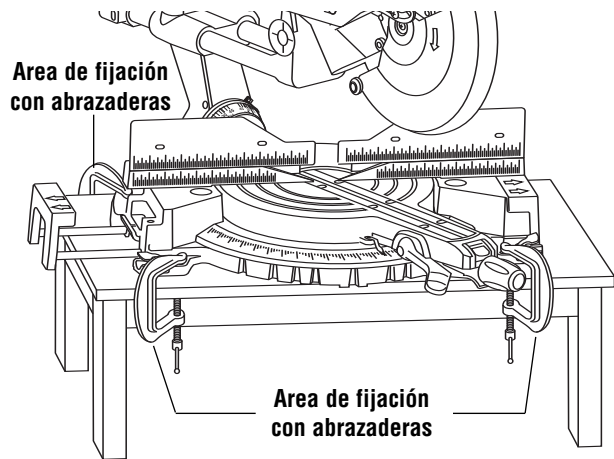


Figure: Montage portatif à l'aide de serre-joints

Réglage de la poignée-interrupteur à quatre positions

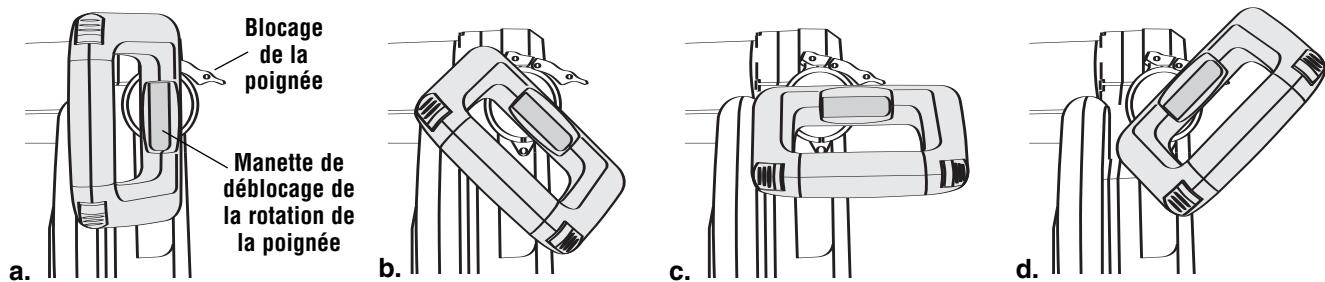


Figure: Réglage de la position de la poignée principale

Réglage de la poignée principale à la position désirée

La poignée-interrupteur peut être placée dans quatre positions différentes selon la situation du sciage ou la préférence de l'utilisateur :

- Verticale
- Horizontale
- À 45° à gauche
- À 45° à droite

Pour repositionner la poignée principale :

1. Desserrer le blocage de la poignée.
2. Tirez sur la manette de déblocage de la rotation de la poignée et tenez-la.
3. Tournez la poignée pour la mettre à la position désirée.
4. Relâchez la manette de déblocage pour asseoir la poignée à sa place. La manette ne peut se rétracter que dans l'une des quatre (4) positions.

Remarque : L'interrupteur ne peut pas être actionné si la manette de déblocage n'est pas rétractée. Ne tentez pas de mettre l'outil en marche quand la poignée est dans une position intermédiaire, il y a risque d'endommager l'outil.

5. Serrez le blocage de la poignée.

Réglage de la tension du blocage de la poignée à quatre positions

1. Ouvrez le blocage de la poignée.
2. À l'aide d'une clé Allen de 1,5 mm, augmentez la tension en tournant les deux vis de réglage de 1/4 de tour à gauche. Diminuez-la en tournant vers la droite. Réglez toujours les deux vis de réglage du même montant.
3. Fermez le blocage de la poignée.
4. Contrôlez la tension.

Opérations de base de la scie

Position du corps et des mains

AVERTISSEMENT Positionnez votre corps et vos mains adéquatement pour rendre la coupe plus facile et plus sûre. Observez les instructions suivantes (Figure 1).

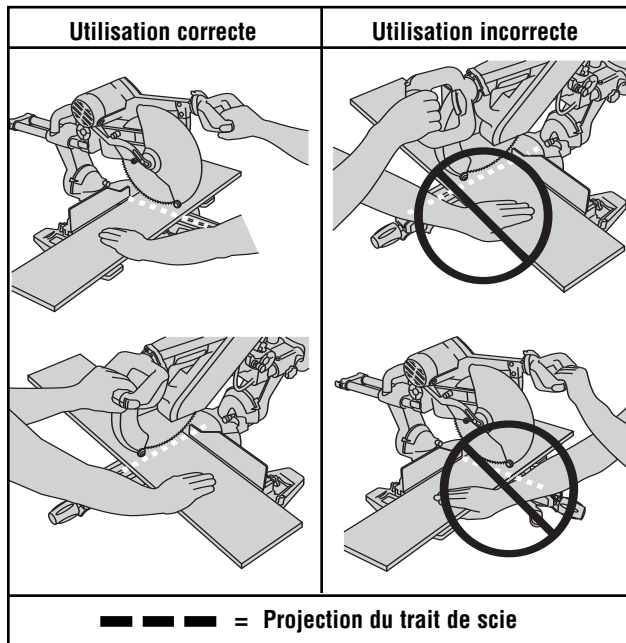


Figure 1. Positions des mains

- Ne placez jamais les mains près de la zone de coupe. Ne mettez pas les mains ou les bras dans la zone interdite aux mains.
- La zone interdite aux mains est définie comme le table tout entière plus la portion fixe de l'embase à droite et à gauche de la table et les portions du guide qui se trouvent à l'intérieur de ces limites. Cette zone est repérée par des symboles « interdit aux mains » placés sur l'embase fixe.
- Soyez attentif à la trajectoire de la lame de scie. Faites un essai de sciage à blanc avec la scie arrêtée, simulez un cycle de sciage et repérez la trajectoire de la lame de scie. Éloignez les mains de la trajectoire de la lame de scie.

SCIAGE À BLANC – Il est important de savoir où la lame rencontre la pièce pendant le sciage. Effectuez toujours la simulation de coupe avec la scie à l'arrêt afin de comprendre la trajectoire de la lame de scie. Prenez note mentalement de la position de la trajectoire de la lame de scie et positionnez la pièce de manière à ce que vos mains et vos bras ne se trouvent pas dans la trajectoire de la lame en rotation. Réglez vos brides et guides de manière à ne pas entraver le mouvement de coupe ou de nuire à la régularité du mouvement du capot protecteur inférieur.

- Tenez la pièce fermement contre la table et le guide pour empêcher tout mouvement.

- Gardez les mains en place jusqu'à ce que la gâchette ait été relâchée et que la lame se soit complètement arrêtée.
- Ne placez jamais les mains sur les rails coulissants.
- Gardez les pieds fermement sur le plancher et maintenez un bon équilibre.
- Suivez le bras d'onglet en coupant à gauche ou à droite. Tenez-vous légèrement sur le côté de la lame de scie.

AVERTISSEMENT Il se peut que le protecteur inférieur ne s'ouvre pas automatiquement dans certaines conditions de coupe. Par exemple, quand vous essayez de scier des pièces qui sont proches de la capacité de coupe maximale en hauteur. Dans de telles conditions, ou pendant le mouvement coulissant de la coupe, l'ouvrage peut arrêter le mouvement du protecteur inférieur avant que le mouvement vers le bas du bras ne puisse pré-ouvrir le protecteur inférieur.

Dans ce cas :

- L'ouvrage doit être cramponné solidement. Ceci libère une main pour soulever le protecteur par le rebord suffisamment pour passer à côté de l'ouvrage (Figure 2).
- Mettez la scie en marche et commencez votre coupe.
- Lorsque vous êtes passé à côté de la position où le protecteur inférieur peut gripper, relâchez le protecteur et il continuera à lever automatiquement au fur et à mesure que vous coupez.

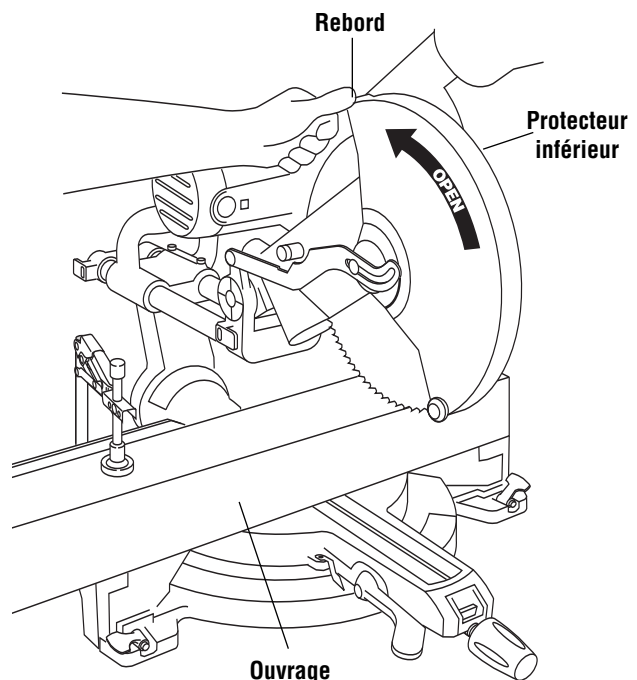


Figure 2. Levée du protecteur inférieur

Opérations de base de la scie

Support de l'ouvrage

AVERTISSEMENT Les pièces longues ont tendance à basculer à moins qu'elles ne soient bridées et supportées sur toute leur longueur.

Serre-joints

Serre-joint à action rapide – Ce serre-joint permet de fixer facilement une pièce sur l'un ou l'autre des deux (2) trous de serre-joint situés derrière le guide (Figure 1).

- Un minimum de 1/2 po de partie moletée doit engager le montant du serre-joint en vue d'une fixation efficace.
- Ajustez la vis, au besoin, pour dégager le guide ou en raison de différences importantes dans les hauteurs du bois.
- Le serre-joint étant en position ouverte (levier levé), insérez le serre-joint dans le montant du serre-joint jusqu'à ce que le pied en caoutchouc vienne en contact avec le matériau.
- Appuyez sur le levier pour serrer le serre-joint.
- Déplacez la tête afin de vérifier l'écartement avec le serre-joint.
- Tirez le levier vers le haut pour relâcher le serre-joint.

AVERTISSEMENT Il peut y avoir des coupes composées extrêmes lorsque le serre-joint ne peut pas être utilisé. Supportez l'ouvrage avec la main à l'extérieur de la zone interdite aux mains. **N'essayez pas de couper des pièces courtes** qui ne peuvent être cramponnées et vous obligeraient à mettre la main dans la zone interdite aux mains.

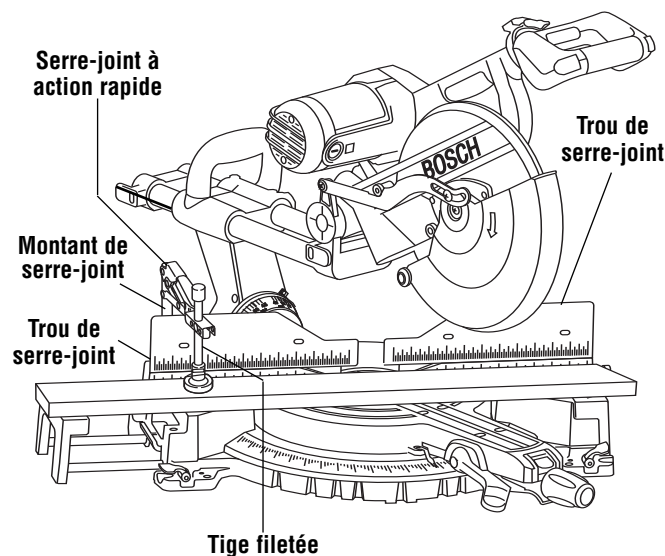


Figure 1. Serre-joint à action rapide

Serre-joint horizontal – le serre-joint horizontal et la butée pour corniche en option MS1221 peuvent être montées de l'un ou l'autre côté de l'outil et permettent de tenir la pièce fermement contre le guide.

On peut utiliser les **serre-joints conventionnels** et autres dispositifs de retenue pour tenir l'ouvrage fermement contre la table et le guide.

Support d'ouvrages longs

Les pièces longues ont besoin d'être mieux soutenues.

Rallonges coulissantes de l'embase – ces rallonges permettent de mieux supporter les pièces et sont surtout utiles lors du sciage de pièces longues. Pour changer leur position, il suffit de débloquer les leviers de blocage des rallonges de l'embase, de déplacer les rallonges et de bloquer les leviers (Figure 2). (Voir également butée de longueur à la page 106.)

Tiges extra-longues de rallonges d'embase – Ces kits de rallonges d'embase en option MS1229 permettent aux rallonges d'embase 4410 de ressortir de 50 1/2 po. Même après avoir installé ces tiges plus longues sur les rallonges 4410, ces dernières peuvent être rétractées complètement pour transporter la scie ou la ranger.

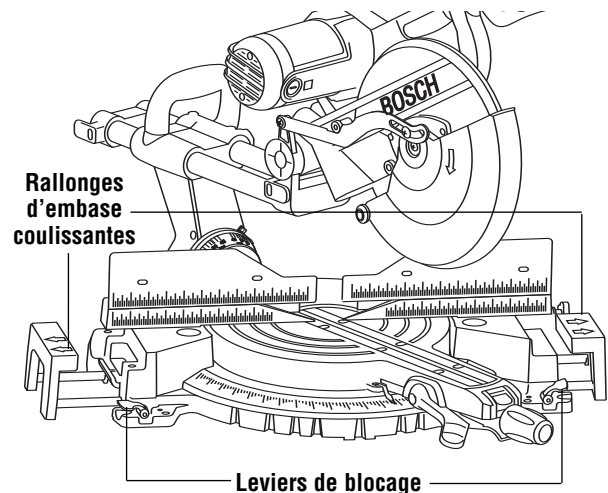


Figure 2. Rallonges d'embase coulissantes

Blocs — La hauteur de base (3-3/4 po) est conçue en fonction du bois d'œuvre standard de deux 2x4 et un 1x4. On peut utiliser des planches de ces épaisseurs pour créer des rallonges de support auxiliaires pour les ouvrages longs (Figure 3).

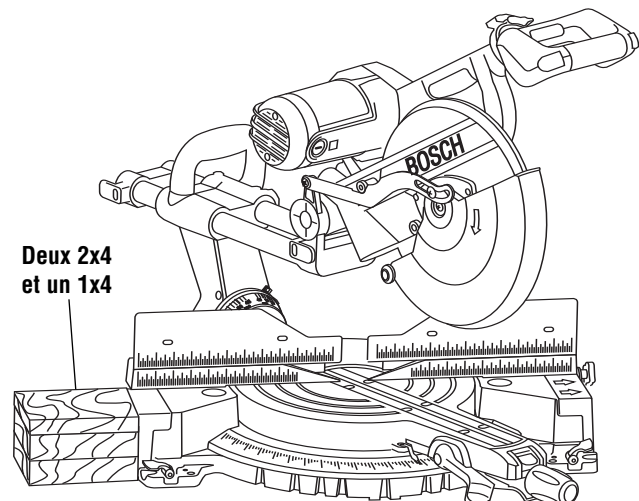


Figure 3. Bloc de support

Guide auxiliaire

Certains types de moulure nécessitent une rallonge de face de guide en raison de la dimension et de la position de l'ouvrage. Des trous sont pratiqués dans le guide pour fixer un guide auxiliaire. Le guide auxiliaire est utilisé avec la scie en position biseau 0° seulement.

1. Placez une pièce de bois contre le guide de la scie à onglet. (Le bois peut avoir une hauteur maximum de 4 1/2 po.). Assurez-vous que la tête ne gêne pas le guide auxiliaire.

Pour scier des moulures sans éclater, fixez un guide auxiliaire en bois d'un seul morceau puis sciez l'encoche avec la scie à onglet.

2. Marquez les emplacements des trous de support sur le bois depuis l'arrière du guide.
3. Percez et fraisez les trous à l'avant de la planche de support.
4. Fixez le(s) guide(s) auxiliaire(s) à l'aide de deux (2) vis à machine à tête fraisée de 3/16 po. Avec un guide auxiliaire de 3/4 po d'épaisseur, utilisez des vis de 1-1/2 po de long. Fixez-les derrière le guide en métal à l'aide de rondelles et d'écrous à machine.

Ou bien : avec un guide auxiliaire de 3/4 po, utilisez des vis à bois à tête ronde de 1/4 po (3/4 po de long). Percez quatre (4) avant-trous de diamètre inférieur à 1/4 po dans le guide auxiliaire et enfitez les vis par les trous du guide en métal pour les visser dans le guide en bois.

5. Pratiquez une coupe de profondeur normale pour créer la fente à lame. Vérifiez s'il y a interférence entre le guide auxiliaire et le protecteur inférieur de lame. Faites des ajustements au besoin.

AVERTISSEMENT Vérifiez s'il y a interférence causée par un composant quelconque.

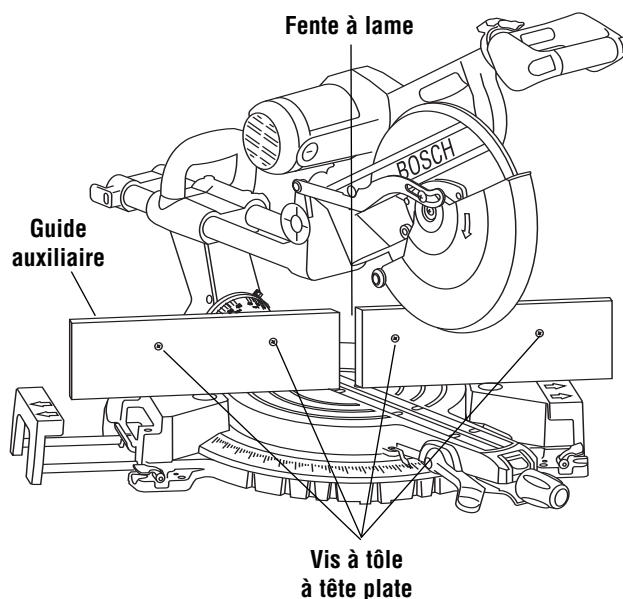


Figure: Guide auxiliaire

Actionnement de l'interrupteur

Pour raisons de sécurité, le levier interrupteur est conçu pour éviter les démarrages intempestifs.

Pour actionner l'interrupteur de sécurité, enfoncez le bouton de déverrouillage du blocage de l'interrupteur sur arrêt avec un pouce pour déverrouiller le blocage puis tirez sur le levier de l'interrupteur et relâchez le bouton.

Quand on relâche le levier de l'interrupteur, le bouton de déverrouillage du blocage sur arrêt de l'interrupteur s'enclenche automatiquement et empêche à nouveau l'actionnement du levier de l'interrupteur jusqu'à ce qu'un des boutons de déverrouillage du blocage sur arrêt soit à nouveau enfoncé.

REMARQUE : Le levier de l'interrupteur permet d'adapter un cadenas avec une anse longue de 1/4 po de diamètre (non fourni avec la scie à onglet pour empêcher toute utilisation non autorisée).

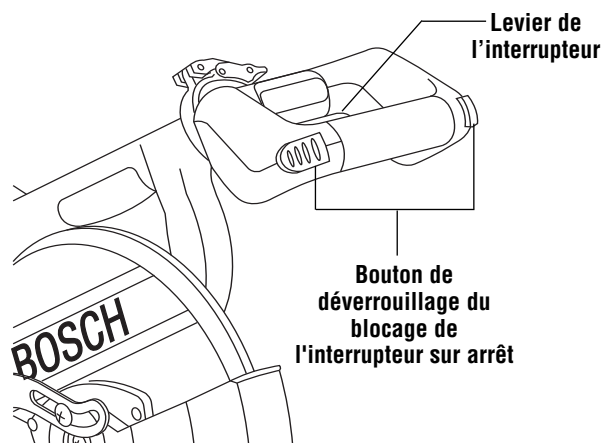


Figure: Actionnement de l'interrupteur

Opérations de base de la scie

Court-circuitage du cran d'arrêt d'onglet

Le système d'effacement des crans d'onglet supprime l'action des crans, ce qui permet un réglage fin de l'angle d'onglet sur n'importe quelle position. Quand l'angle d'onglet désiré est proche d'un angle d'onglet standard muni d'un cran, ce système empêche le coin du bras d'onglet de se glisser dans l'encoche située sur l'embase.

1. Soulevez la levier du cran d'arrêt d'onglet et tenez-la (sous le bras de l'embase).
2. Poussez la pince de court-circuitage du cran d'arrêt vers l'avant et verrouillez en place par-dessus le bord. Relâchez la levier du cran d'arrêt d'onglet.
3. Déplacez le bras d'onglet à toute position sur l'échelle graduée d'onglet.
4. Bloquez le bouton de blocage d'onglet pour fixer la position de l'onglet.

Pour relâcher : Desserrez le bouton de blocage de l'onglet et soulevez la levier du cran d'arrêt d'onglet pour libérer la pince du système d'effacement des crans. La pince doit se dégager automatiquement et la table doit se bloquer à tout cran d'arrêt d'onglet désiré.

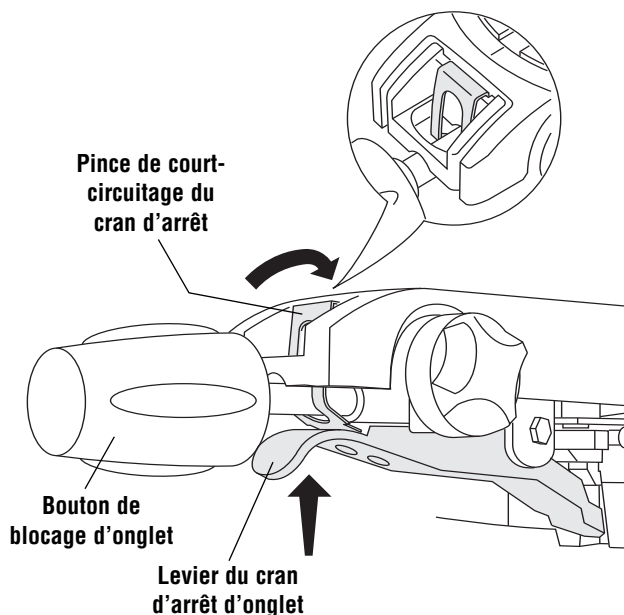


Figure: Court-circuitage du cran d'arrêt

Système de réglage micrométrique de l'onglet

Ce système vous permet de déplacer la table tournante en très petits incréments à l'intérieur d'une plage de 2 degrés à gauche et à droite des angles munis de crans (sauf pour le cran à 60°) de manière à obtenir l'onglet désiré.

1. Amenez la table au cran d'onglet que vous désirez régler (Figure 1).
2. Le système rouge d'effacement du levier d'encliquetage DOIT être enclenché, comme décrit ci-dessus.
3. Appuyez sur le bouton de réglage micrométrique pour l'amener à la position 'ENCLENCHÉ'. Ceci met le système en prise dans l'encoche du cran (Figure 2).

Remarque : il se peut qu'il vous faille légèrement tourner la table pour enclencher le système.

4. Tournez le bouton jusqu'à ce que l'aiguille pointe sur l'angle désiré.
 - Tournez le bouton vers l'avant pour faire tourner la table vers la gauche
 - Tournez le bouton vers l'arrière pour faire tourner la table vers la droite.
5. Utilisez le bouton de blocage de l'onglet pour bloquer la table à sa place avant de scier.
6. Pour libérer la table du système de réglage micrométrique, il suffit de tirer sur le bouton pour l'éloigner de la table jusqu'à ce qu'il s'enclenche en position 'ARRÊT'.

REMARQUE : Il faut remettre le réglage micrométrique à la position 'ARRÊT' afin de pouvoir utiliser le système standard d'encliquetage à crans.

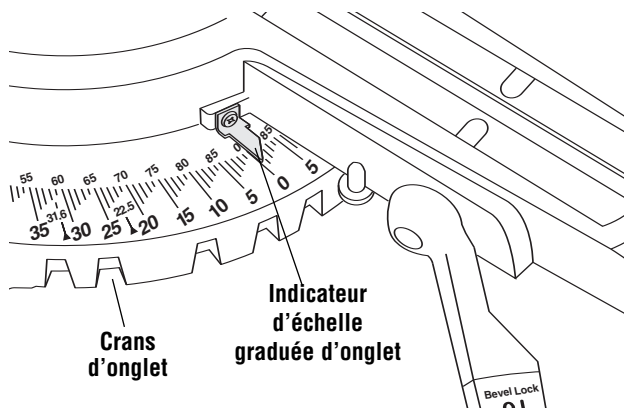


Figure 1. Réglage de l'échelle graduée d'onglet

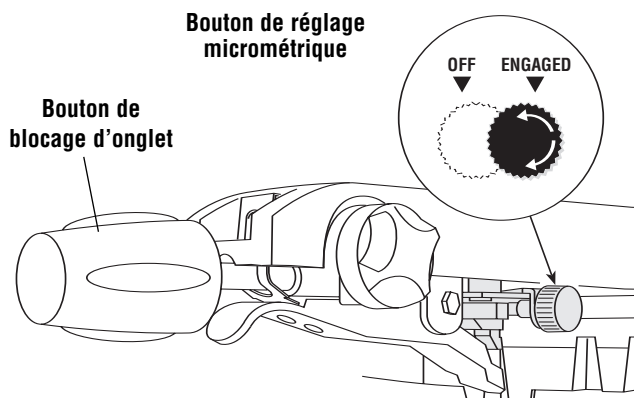


Figure 2. Système de réglage micrométrique

Rallonges d'embase et guides coulissants

⚠ AVERTISSEMENT De manière à fournir un espace suffisant entre la main et la lame de scie (6 po minimum), déployez les rallonges d'embase et les guides coulissants quand vous faites des coupes en biseau, en onglet ou composées à des angles très aigus.

Les rallonges d'embase peuvent aussi être utilisées pour fournir un support supplémentaire lors du sciage de pièces longues.

Embase coulissante :

1. Desserrez les leviers de blocage des rallonges d'embase.
2. Déployez les rallonges d'embase coulissantes et amenez-les à la position désirée.
3. Appuyez vers le bas sur les leviers pour bloquer les rallonges à la position choisie.

Rallonges de la base :

- S'il y a lieu, vous pouvez ajuster légèrement la hauteur de la partie supérieure des rallonges de la base en augmentant la distance entre les rallonges et la partie principale de la base.
- Pour ajuster la force de serrage des leviers de blocage des rallonges de la base, tirez simplement sur l'attache rouge et faites-la tourner vers le centre de la scie. Laissez l'attache rouge se réinsérer dans une nouvelle rainure. Lorsque vous faites tourner les attaches rouges vers le bas, elles serrent les tiges avec plus de force.

Guides coulissants

1. Desserrez les leviers de blocage des guides (derrière le guide).
2. Placez le guide à la position correcte en le faisant glisser.
3. Serrez les boutons pour bloquer le guide à sa place.

Pour démonter temporairement un guide coulissant :

Pour scier selon des angles composés très aigus, il se peut qu'il vous faille enlever un des guides coulissants.

1. Dévissez le bouton du guide jusqu'à ce qu'au moins 1/2 po de filets dépasse.
2. Faites coulisser le guide pour l'amener en position centrale.
3. Soulevez le guide pour l'enlever.
4. Serrez le bouton.

Après avoir terminé le sciage, remontez le guide coulissant en inversant la procédure ci-dessus.

⚠ MISE EN GARDE Pour transporter la scie, il faut toujours bloquer les rallonges d'embase et les guides coulissants dans la position complètement rétractée.

Voir page 88 pour des renseignements concernant d'autres types de supports de pièce.

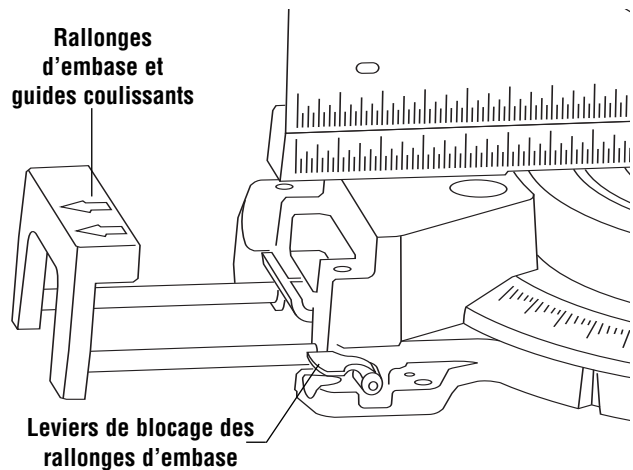


Figure: Rallonges d'embase et guides coulissants

Opérations de la scie

Coupe de fente

- Le bouton de blocage des rails coulissants est serré et la tête est abaissée de manière à couper à travers l'ouvrage.
- Ce type de coupe est utilisé principalement pour les pièces étroites.

Suivez ces instructions pour pratiquer votre coupe de fente :

1. Faites glisser la tête vers l'arrière aussi loin que possible.
2. Serrez le bouton de blocage des rails coulissants (Figure 26).
3. Positionnez l'ouvrage correctement. Assurez-vous que l'ouvrage est cramponné fermement contre la table et le guide.

⚠ AVERTISSEMENT Utilisez une position de cramponnage qui ne gêne pas le fonctionnement. Avant de mettre en marche, abaissez la tête pour vous assurer que le serre-joint dégage le protecteur et la tête.

4. Actionnez l'interrupteur. Abaissez la tête et pratiquez votre coupe.
5. Attendez que la lame s'arrête complètement avant de relever la tête et/ou de retirer l'ouvrage.

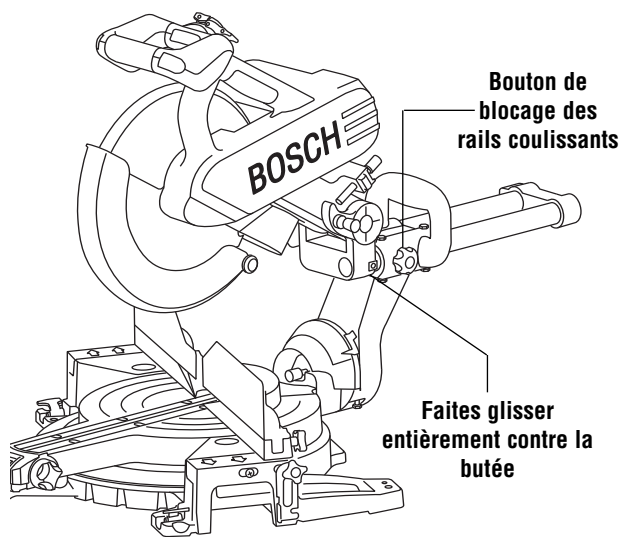


Figure: Coupe de fente

Coupe par glissement

- Le bouton de blocage des rails coulissants est lâche, la tête est tirée vers l'opérateur, la tête est abaissée jusqu'à l'ouvrage, puis poussée vers l'arrière de la scie pour pratiquer la coupe.
- Ce type de coupe est utilisé principalement pour les pièces larges.
- Un crochet de lame positif de 10 degrés ou plus est recommandé pour une meilleure performance en pratiquant des coupes agressives ou en coupant des matériaux plus épais.

⚠ AVERTISSEMENT Ne tirez JAMAIS la scie vers vous durant une coupe. La lame peut soudainement grimper sur le dessus de l'ouvrage et forcer son chemin vers vous.

Suivez ces instructions pour pratiquer votre coupe par glissement :

1. Positionnez l'ouvrage correctement. Assurez-vous que l'ouvrage est cramponné fermement contre la table et le guide.

⚠ AVERTISSEMENT Utilisez une position de cramponnage qui ne gêne pas le fonctionnement. Avant de mettre en marche, abaissez la tête pour vous assurer que le serre-joint dégage le protecteur et la tête.

2. Desserrez le bouton de blocage des rails coulissants.
3. Saisissez la poignée de l'interrupteur et tirez la tête en sens opposé au guide, jusqu'à ce que la lame dégage l'ouvrage ou jusqu'à son prolongement maximum si la lame ne peut dégager l'ouvrage.
4. Actionnez l'interrupteur. Abaissez la tête jusqu'en bas et coupez à travers le bord de l'ouvrage.

5. Poussez (sans forcer) la tête vers le guide jusqu'à la position arrière maximum pour terminer la coupe.
6. Attendez que la lame s'arrête complètement avant de relever la tête et/ou de retirer l'ouvrage.

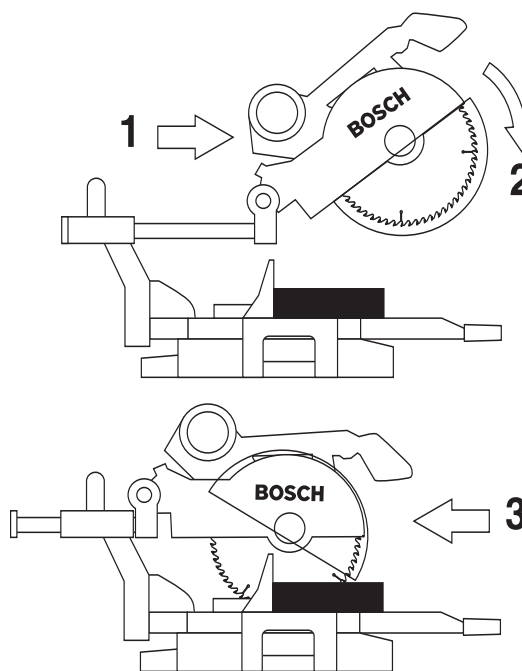


Figure: Coupe par glissement

Coupe à l'onglet

- Une coupe d'onglet est une coupe en travers avec la lame verticale (non inclinée) et horizontalement en angle par rapport au guide.
- Une coupe d'onglet s'effectue avec le biseau à 0° et à n'importe quel angle entre 52° à gauche et 60° à droite.
- L'échelle des angles d'onglet indique l'angle de la lame par rapport au guide. Elle est moulée dans la table pour faciliter sa lecture.
- Des crans d'arrêt positifs ont été créés à 0°, 15°, 22,5°, 31,6°.et 45° à gauche et à droite, et à 60° à droite.
- Les crans pour le sciage de corniches (à gauche et à droite) se situent à 31,6° (voir sciage de corniches pour de plus amples renseignements à la page 107).
- Pour scier avec précision à des angles proches des crans, utilisez le système d'effacement des crans pour supprimer ceux-ci. Ceci empêche le coin du levier de cran d'arrêt de glisser dans l'encoche et d'emmener la table.
- Une coupe à l'onglet peut être pratiquée comme coupe de fente ou comme coupe par glissement, suivant la largeur de l'ouvrage.
- Les inserts d'encoche doivent être aussi rapprochés de la lame que possible sans toucher la lame (voir Inserts d'encoche pour procédures de réglage).

Suivez ces instructions pour pratiquer votre coupe à l'onglet :

1. Desserrez le bouton de blocage de l'onglet. Soulevez le levier de cran d'arrêt d'onglet et déplacez la scie pour la mettre à l'angle désiré en utilisant soit les crans soit l'échelle. Serrez le bouton de blocage de l'onglet.
2. Déployez les rallonges de l'embase et le guide du côté où le sciage sera effectué (voir rallonges d'embase et guide coulissant à la page 101).
3. Positionnez l'ouvrage adéquatement. Assurez-vous que l'ouvrage est cramponné fermement contre la table et le guide.



AVERTISSEMENT Utilisez une position de cramponnage qui ne gêne pas le fonctionnement. Avant de mettre en marche, abaissez la tête pour vous assurer d'un écartement suffisant entre le serre-joint, d'une part, et le protecteur et la tête, d'autre part.

4. Suivez les instructions pour la coupe de fente ou la coupe par glissement (voir page 102).
5. Attendez que la lame s'immobilise complètement avant de remettre la tête à la position levée et/ou de retirer l'ouvrage.

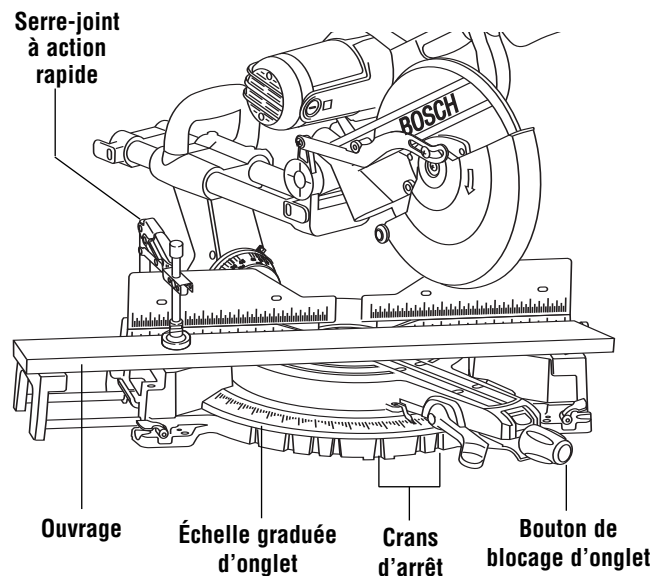


Figure: Coupe à l'onglet

Opérations de la scie

Sciage en biseau

- Un sciage en biseau est un sciage en travers réalisé avec la lame perpendiculaire au guide mais inclinée par rapport à la verticale.
- Les sciages en biseau sont réalisés à un angle d'onglet de 0° et à n'importe quelle inclinaison à l'intérieur de la plage jusqu'à 47°.
- Il y a des butées d'inclinaison pré-réglées en usine à 0° et 45° à droite comme à gauche. (voir au paragraphe Réglages s'il est nécessaire de les régler).
- Le bouton de sélection de la plage d'inclinaison, situé à l'avant, offre trois choix de plages d'inclinaison.
- Il y a également des butées franches d'inclinaison à 33,9° à droite comme à gauche pour le sciage de corniches. Effacez ces butées à moins que vous n'utilisiez l'angle à 33,9° (voir coupe de moulures en couronne pour plus de détails.)
- Un sciage en biseau peut être effectué soit en abaissant la lame soit en la faisant coulisser suivant la largeur de la pièce.
- Le levier de blocage de l'inclinaison, situé à l'avant, permet de bloquer l'ensemble de la tête sur l'angle d'inclinaison souhaité.

Sélection de la plage d'inclinaison

Choisissez la plage d'inclinaison désirée à l'aide du bouton de sélection de la plage d'inclinaison (Figure 1).

▶ 45°-0 Left

Pour travailler dans la plage d'inclinaison entre - 45° à gauche et 0° :

(Cette plage de biseau à gauche est le réglage par défaut)

- a. Déployez le guide coulissant gauche pour faire de la place pour l'ensemble de la scie et bloquez-le (Figure 2).
- b. Soulevez le levier de blocage de l'inclinaison pour libérer le blocage de l'inclinaison (Figure 1).
- c. Saisissez la poignée de transport avant de la main droite et inclinez la tête de la scie pour l'amener à l'angle désiré. (Fig. 2)
- d. Appuyez sur le levier de blocage du biseau jusqu'à ce que vous le sentiez s'encliqueter dans la position de blocage.

▶ 0-45° Right

Pour travailler dans la plage d'inclinaison entre 0° et 45° à droite :

- a. Déployez le guide coulissant droit pour faire de la place pour l'ensemble de la scie et bloquez-le (Figure 2).
- b. Soulevez le levier de blocage de l'inclinaison pour libérer le blocage de l'inclinaison (Figure 1).
- c. En vous tenant debout à droite de la scie, saisissez la poignée de transport avant de la main droite et inclinez la tête de la scie légèrement vers la gauche tout en tournant le bouton de sélection de la plage d'inclinaison de la main gauche pour le mettre à la position '0°- 45° à droite' (Figure 2).

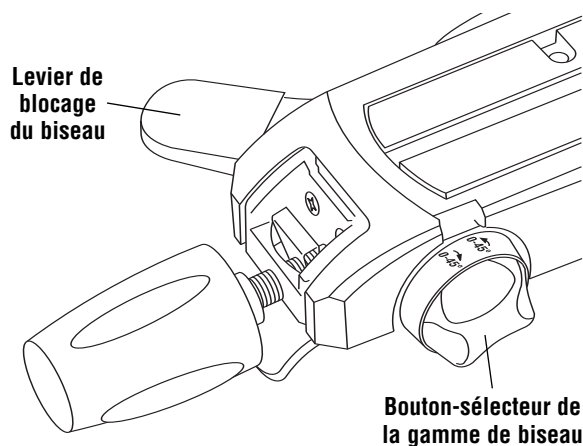


Figure 1.

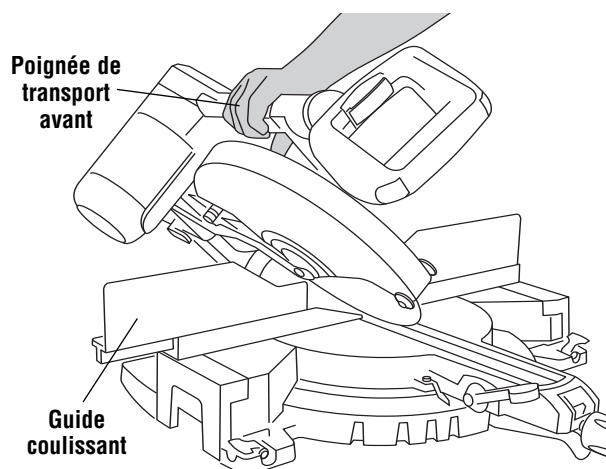


Figure 2.

- d. Inclinez la tête de la scie à l'angle d'inclinaison à droite désiré entre 0° et la butée à 45°
- e. Appuyez sur le levier de blocage du biseau jusqu'à ce que vous le sentiez s'encliqueter dans la position de blocage.

REMARQUE : Quand on ramène la tête de la scie à gauche au-delà de 0°, le bouton de sélection de l'inclinaison revient automatiquement à la plage de défaut 1. Ceci est conçu pour récupérer la fonction de la butée pré-réglée à la position importante de 0°.

▶ Max Range

Pour travailler dans la plage d'inclinaison entre 47° à gauche et 45° à droite :

Cette plage d'inclinaison complète efface toutes les butées pré-réglées et permet de scier à un angle supérieur à 45° des deux côtés.

- a. Déplacez le guide coulissant gauche ou droit pour faire de la place pour l'ensemble de la scie et bloquez-le (Figure 2).
- b. Soulevez le levier de blocage de l'inclinaison pour libérer le blocage de l'inclinaison (Figure 1).

- c. En vous tenant debout à droite de la scie, saisissez la poignée de transport avant de la main droite et inclinez la tête de scie légèrement vers la gauche tout en tournant le bouton de sélection de la plage d'inclinaison de la main gauche pour le mettre à la position 'plage maxi' (Figure 2).
- d. Inclinez la tête de la scie à n'importe quel angle entre 47° à gauche et 46° à droite.
- e. Appuyez sur le levier de blocage du biseau jusqu'à ce que vous le sentiez s'encliqueter dans la position de blocage.

Suivez ces instructions pour effectuer une coupe en biseau :

1. Déployez les rallonges de l'embase du côté où vous désirez scier (voir Guide coulissant et Rallonges d'embase à la page 101).

2. Positionnez la pièce correctement. Assurez-vous qu'elle est fermement bridée contre la table et le guide.

REMARQUE : Utilisez une position de serrage qui ne gêne pas l'utilisation de l'outil.

3. Avant de mettre la scie en marche, faites un essai à vide pour vous assurer que le guide ne se trouve pas sur la trajectoire des capots et réglez-le si nécessaire.
4. Suivez les méthodes décrites pour scier soit en abaissant la lame soit en la faisant coulisser (voir page 102).
5. Attendez que la lame soit à l'arrêt complet avant de laisser l'ensemble de la tête revenir à la position haute ou d'enlever la pièce.

Coupes composées

- Une coupe en angle composé est une coupe en travers effectuée avec la lame à la fois en angle horizontalement par rapport au guide (angle d'onglet) et inclinée par rapport à la verticale (angle de biseau).
- Une coupe composée peut être pratiquée comme coupe de fente ou comme coupe par glissement, suivant la largeur de l'ouvrage.
- Étant donné qu'il faudra peut-être plusieurs essais pour obtenir l'angle composé désiré, effectuez des coupes d'essai sur des matériaux de rebut avant de pratiquer votre coupe.

Suivez ces instructions pour pratiquer votre coupe composée :

1. Déployez les rallonges de l'embase et les guides du côté où vous voulez effectuer la coupe (voir rallonges d'embase et guides coulissants à la page 101).
2. Positionnez l'ouvrage adéquatement. Assurez-vous que l'ouvrage est cramponné fermement contre la table et le guide.

AVERTISSEMENT Utilisez une position de cramponnage qui ne gêne pas le fonctionnement. Avant de mettre en marche, abaissez la tête pour vous assurer d'un écartement suffisant entre le serre-joint, d'une part, et le protecteur et la tête, d'autre part.

3. Réglez les angles d'onglet et de biseau selon les consignes données aux pages 103 et 104 pour les coupes d'onglet et en biseau.
4. Suivez les instructions pour la coupe de fente ou la coupe par glissement (voir page 102).
5. Attendez que la lame s'immobilise complètement avant de remettre la tête à la position levée et/ou de retirer l'ouvrage.

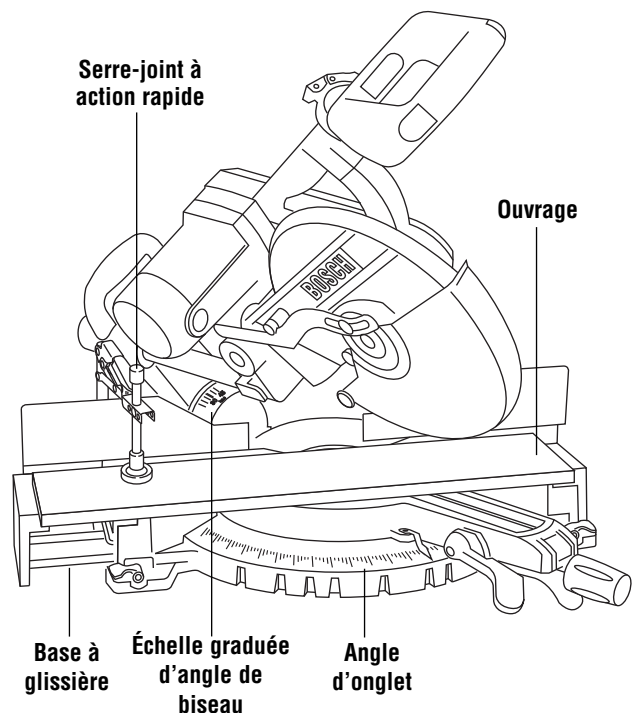


Figure: Coupe composée

Opérations de la scie

Coupe de rainures

- Le réglage de profondeur s'utilise pour faire des rainures dans une pièce.
 - Le réglage de profondeur s'utilise pour limiter la profondeur de la lame lors du sciage de rainures.
 - Sciez en coulissant pour faire des rainures.
1. Pour faire des réglages importants, enfoncez le bouton de déblocage de la butée de profondeur et faites coulisser le boulon de butée de profondeur pour le mettre à la position désirée (Figure 1).
 2. Pour faire des petits réglages, il suffit de tourner le boulon de butée de profondeur pour le mettre à la position désirée.
 3. Les contre-écrous supérieurs peuvent être utilisés pour régler une profondeur de rainure souvent utilisée. Pour régler, desserrez les contre-écrous supérieurs, mettez-les à la position désirée et serrez-les l'un contre l'autre.
 4. Serrez l'écrou moleté.
 5. Coupez les deux rainures extérieures.
 6. Utilisez un burin à bois ou effectuez des passes multiples faisant glisser le bois pour enlever le matériau entre les rainures extérieures (Figure 2).

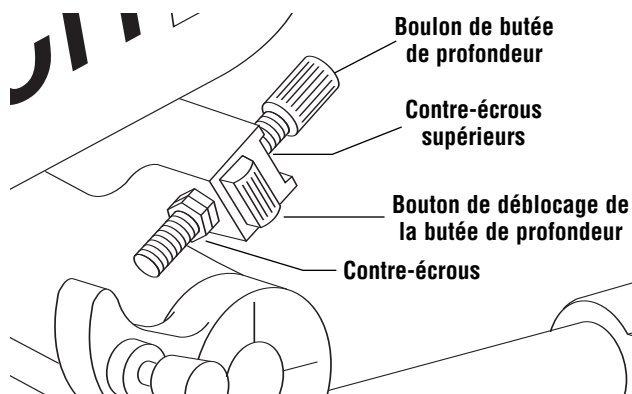


Figure 1. Coupe de rainures

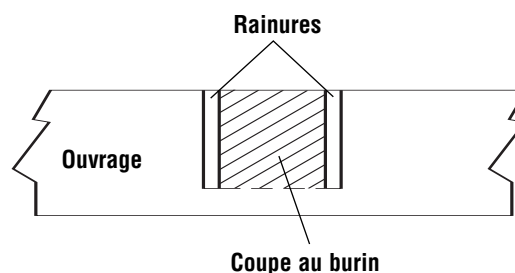


Figure 2. Rainure coupée grossièrement

Butée de longueur

AVERTISSEMENT N'utilisez qu'une seule butée de longueur. Si vous utilisez des butées de longueur des deux côtés de la lame, la lame risque de coincer et d'éjecter la pièce.

La butée de longueur escamotable de la machine peut être utilisée pour faire des coupes répétitives de la même longueur.

Pour régler la butée, il suffit de desserrer le bouton, de faire pivoter la butée pour la mettre en position et de resserrer le bouton.

1. Pour régler la longueur à scier, desserrez le levier de blocage de la rallonge de l'embase, repositionnez la rallonge de l'embase avec sa butée de longueur et resserrez les leviers.
2. La longueur maximale qui peut être sciée avec la butée de longueur est d'environ 18'.

Si on le désire, la butée de longueur et le bouton peuvent être transférés sur la rallonge d'embase gauche. Le kit de butée de longueur en option MS1230 peut aussi être installé du côté gauche, permettant ainsi d'avoir une butée de longueur de chaque côté de la scie.

Pour augmenter la longueur qu'on peut scier avec la butée de longueur, remplacez les tiges de la rallonge de l'embase de l'outil par les tiges d'embase extra-longues en option MS1229, ce qui a pour effet d'augmenter la longueur maximale qui peut être sciée avec la butée de longueur à 25' environ de chaque côté de l'outil.

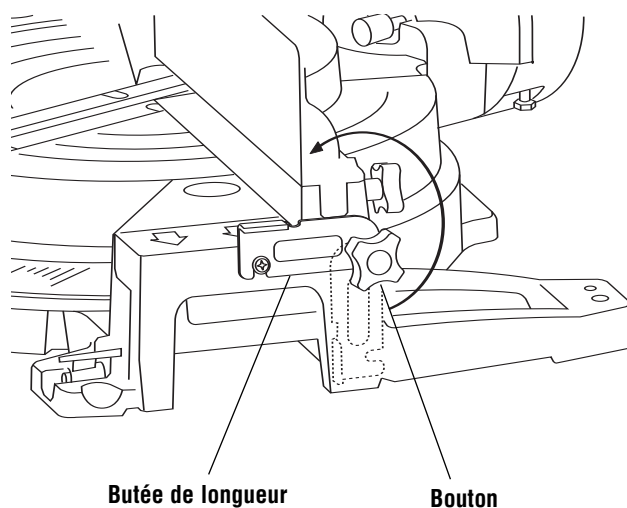


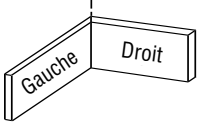
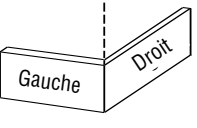
Figure: Butée de longueur

Coupe de moulures de base

- Les moulures de base peuvent être sciées en position verticale contre le guide ou à plat sur la table. La taille maximale qui peut être sciée verticalement sur le guide est de 3 5/8 po et de 10-1/4 po à plat sur la table.

- Reportez-vous au tableau ci-dessous, vous y trouverez des conseils utiles pour le sciage de moulures de base pour des coins à 90°.
- La coupe de moulures de base peut être pratiquée comme coupe de fente ou comme coupe par glissement, suivant la largeur de l'ouvrage.

INSTRUCTIONS DE COUPE DE MOULURES DE BASE

POSITION DE LA MOULURE SUR LA SCIE →		Moulure en position verticale : Dos de la moulure contre le guide		Moulure en position horizontale : Dos de la moulure à plat contre la table	
Angle de biseau →		Biseau=0°		Biseau=45°	
Partie de la moulure sciée →		À gauche du coin	À droite du coin	À gauche du coin	À droite du coin
Coin intérieur du mur 	Angle d'onglet	Gauche à 45°	Droit à 45°	0°	0°
	Position de la moulure sur la scie	Fond contre la table	Fond contre la table	Dessus contre le guide	Fond contre le guide
	Côté fini	Gardez le côté gauche de la coupe	Gardez le côté droit de la coupe	Gardez le côté gauche de la coupe	Gardez le côté gauche de la coupe
Coin extérieur du mur 	Angle d'onglet	Droit à 45°	Gauche à 45°	0°	0°
	Position de la moulure sur la scie	Fond contre la table	Fond contre le guide	Fond contre le guide	Dessus contre le guide
	Gardez le côté fini	Gardez le côté gauche de la coupe	Gardez le côté droit de la coupe	Gardez le côté droit de la coupe	droit de la coupe

Coupe de moulures en couronne

- Les corniches (moulures en couronne) doivent être sciées et positionnées correctement afin de s'ajuster parfaitement.
- Il y a deux manières de scier des corniches, à plat sur la table ou en angle par rapport à la table et au guide.
- L'angle de dévers de la corniche est l'angle entre l'arrière de la corniche et la surface plate inférieure qui est appliquée au mur.
- La scie à onglets est dotée de crans d'onglet spéciaux à 31,5° et de biseau à 33,9°. Ces crans vous permettent de positionner facilement la plupart des corniches à plat sur la table et de faire des coupes précises pour des coins à 90°. (Ces crans ne fonctionnent qu'avec les corniches ayant un dévers de 38°). REMARQUE : Ces crans ne peuvent pas être utilisés avec les corniches à 45°.

- Voir aussi page 108. Vous y trouverez des tableaux qui vous donnent les angles d'onglet et de biseau à utiliser pour couper des corniches avec dévers de 38° et 45° (avec la pièce posée à plat sur la table). Chaque tableau fournit les angles d'onglet et de biseau exacts pour des coins d'angles très variés.
- Bien que ces angles soient standards, les coins de la plupart des pièces ne sont pas exactement à 90°. Il sera donc nécessaire d'affiner votre réglage.
- Le rapporteur d'angle numérique en option Bosch DWM40L MiterFinder™ permet de mesurer les angles de dévers et les angles de coins et de déterminer automatiquement les réglages exacts de l'onglet et du biseau qui sont nécessaires pour faire des coupes parfaites à chaque coin.

Opérations de la scie

Moules en couronne reposant à plat sur la table

Remarques : Placez le dos de la pièce à plat sur la table

Placez toujours le bord supérieur de la corniche contre le guide (le bord décoratif se trouve en bas de la corniche).

- L'angle de dévers est l'angle entre le mur et la corniche.
 - Selon la largeur de la pièce, on peut scier les corniches posées à plat sur la table soit en abaissant la lame soit en la faisant coulisser.
1. Pour les coins à 90°, réglez les angles d'onglet et de biseau en vous aidant des tableaux ci-dessous. Serrez le bouton de blocage de l'onglet et le bouton de blocage du biseau.
 2. Placez la corniche à plat sur la table de la scie. Bridez la pièce à l'aide du serre-joint à action rapide.

AVERTISSEMENT Utilisez une position de cramponnage qui ne gêne pas le fonctionnement. Avant de mettre en marche, abaissez la tête pour vous assurer d'un écartement suffisant entre le serre-joint, d'une part, et le protecteur et la tête, d'autre part.

3. Suivez les instructions pour la coupe de fente ou la coupe par glissement (voir page 102).
4. Attendez que la lame s'immobilise complètement avant de remettre la tête à la position levée et/ou de retirer l'ouvrage.

REMARQUE : PROCÉDEZ TOUJOURS À UNE COUPE D'ESSAI À L'AIDE DE MATÉRIAUX DE REBUT POUR CONFIRMER LES ANGLES CORRECTS.

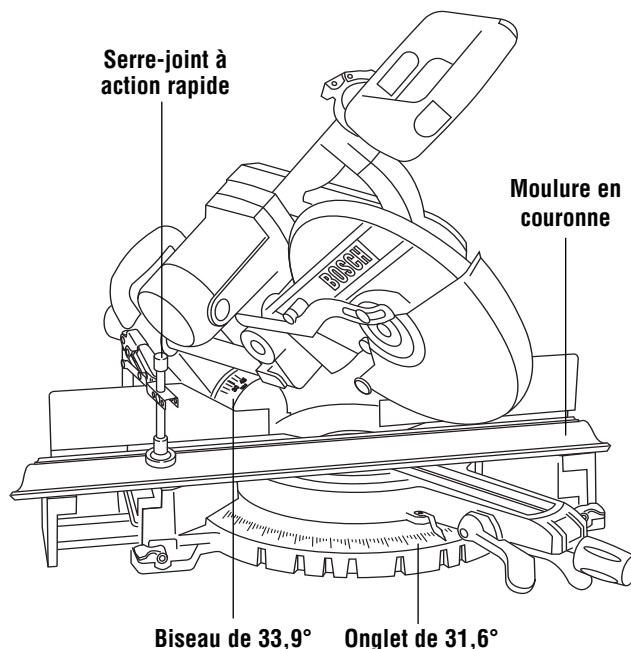


Figure: Moulure en couronne reposant à plat

Réglages des angles d'onglet et de biseau pour scier des corniches standard (corniche posée à plat sur la table de la scie)

On supposera que la corniche est usinée de manière régulière et que le coin est exactement à 90°

Angle de dévers de la corniche : 38°		
	Réglage de l'onglet (table)	Réglage du biseau (inclinaison)
Coin interne		
Bout gauche (A) Utilisez le bout gauche de la coupe	31,6° à droite	33,9° à gauche
Bout droit (B) Utilisez le bout droit de la coupe	31,6° à gauche	33,9° à droite
Coin externe		
Bout gauche (C) Utilisez le bout gauche de la coupe	31,6° à gauche	33,9° à droite
Bout droit (D) Utilisez le bout droit de la coupe	31,6° à droite	33,9° à gauche

Angle de dévers de la corniche : 45°		
	Réglage de l'onglet (table)	Réglage du biseau (inclinaison)
Coin interne		
Bout gauche (A) Utilisez le bout gauche de la coupe	35,3° à droite	30,0° à gauche
Bout droit (B) Utilisez le bout droit de la coupe	35,3° à gauche	30,0° à droite
Coin externe		
Bout gauche (C) Utilisez le bout gauche de la coupe	35,3° à gauche	30,0° à droite
Bout droit (D) Utilisez le bout droit de la coupe	35,3° à droite	30,0° à gauche

Opérations de la scie

Moulure en couronne à angle par rapport à la table et au guide

- La méthode préférée pour scier des corniches avec cette scie est de poser la corniche à plat sur la table.
- L'avantage de scier les corniches inclinées contre le guide est qu'il n'est pas nécessaire de régler le biseau. Seul l'angle d'onglet doit être réglé.
- La largeur maximale de la corniche qui peut être sciée inclinée contre la table et le guide est de 4-5/8 po.
- Quand on scie des corniches de cette manière, il est conseillé d'acheter et d'utiliser le serre-joint horizontal et l'accessoire de butée pour corniche en option MS1228.

Suivez ces instructions pour couper les moulures en couronne à angle par rapport à la table et au guide :

1. Placez la corniche de sorte que le bas (partie décorative installée contre le mur) se trouve contre le guide.
2. Pour les coins à 90°, réglez l'angle d'onglet en vous servant du tableau ci-dessous. Serrez les bouton de blocage de l'onglet.
3. Positionnez la moulure de manière à ce qu'elle repose contre le guide (voir Position du corps et des mains à la page 97).
4. Suivez les instructions pour la coupe de fente ou la coupe par glissement (voir page 102).
5. Attendez que la lame s'immobilise complètement avant de remettre la tête à la position levée et/ou de retirer l'ouvrage.

REMARQUE : PROCÉDEZ TOUJOURS À UNE COUPE D'ESSAI À L'AIDE DE MATÉRIAUX DE REBUT POUR CONFIRMER LES ANGLES CORRECTS.

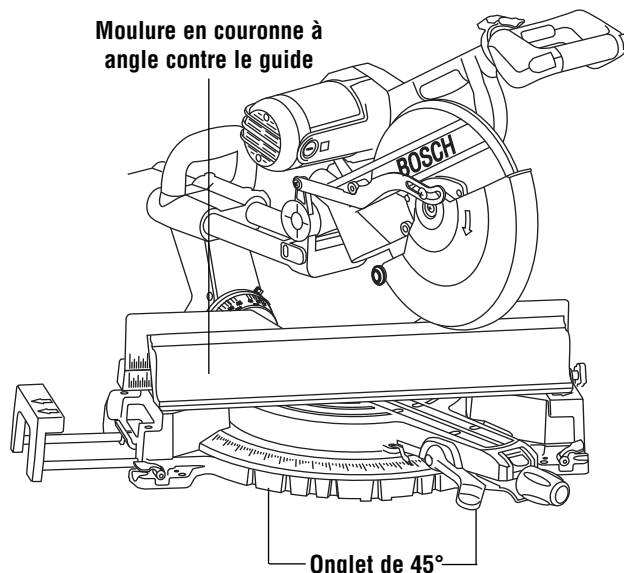


Figure: Moulure en couronne à angle par rapport à la table et au guide

Réglages des angles d'onglet et de biseau pour scier des corniches standard (corniche inclinée contre le guide)

On supposera que la corniche est usinée de manière régulière.

- Le coin est à 90°.
- Pour des angles de coins différents, diviser la mesure de l'angle réel par 2.

Pour toutes les corniches		
	Réglage de l'onglet (table)	Réglage du biseau (inclinaison)
Coin interne		
Bout gauche (A) Utilisez le bout droit de la coupe	45° à droite	0° à gauche
Bout droit (B) Utilisez le bout gauche de la coupe	45° à gauche	0° à droite
Coin externe		
Bout gauche (C) Utilisez le bout droit de la coupe	45° à gauche	0° à droite
Bout droit (D) Utilisez le bout gauche de la coupe	45° à droite	0° à gauche

Opérations de la scie

Coupes spéciales

Le sciage de pièces courbes ou de pièces rondes représente deux exemples de sciages spéciaux.

Coupe de matériaux courbés

AVERTISSEMENT Si l'ouvrage est courbé ou gondolé, crampez-le avec la face courbée extérieure dirigée vers le guide. Assurez-vous toujours de l'absence d'un écartement entre l'ouvrage, le guide et la table le long de la ligne de coupe. Les ouvrages pliés ou gondolés peuvent se tordre ou culbuter, et peuvent faire gripper la lame de scie en rotation durant la coupe.

Coupe de matériaux ronds ou de forme irrégulière

AVERTISSEMENT Pour les matériaux ronds tels que les goujons ou les tubes, utilisez toujours un serre-joint ou un dispositif conçu de manière à cramponner l'ouvrage fermement contre le guide et la table. Les goujons ont tendance à rouler pendant qu'on les coupe, ce qui amène la lame à « mordre » et tire l'ouvrage et votre main dans la lame.

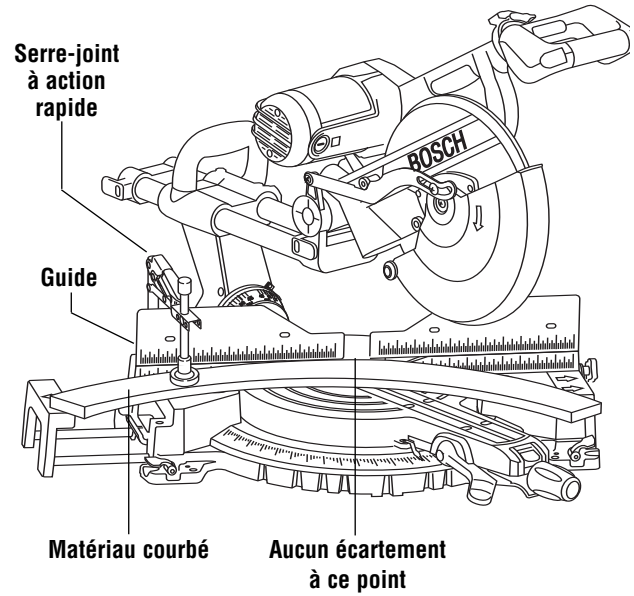


Figure 1. Matériau courbé

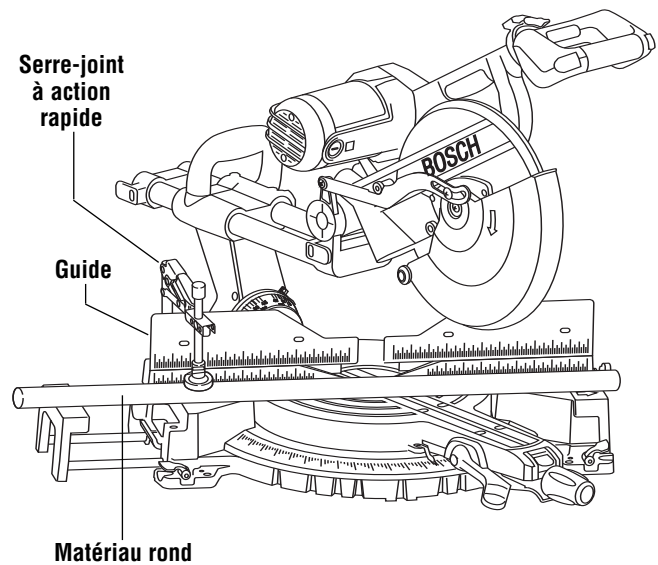


Figure 2. Matériau rond

Maintenance et lubrification

Entretien

AVERTISSEMENT L'entretien préventif effectué par des personnes non autorisées peut entraîner un positionnement erroné des composants et des fils internes, et ainsi causer des dangers sévères. Il est recommandé que l'entretien et la réparation de nos outils soient confiés à un centre de service-usine Bosch ou à un centre de service après-vente Bosch agréé.

Balais de charbon

Les balais et le collecteur de votre outil ont été conçus pour donner plusieurs heures de fonctionnement sans aléas. Pour maintenir le moteur en forme, nous recommandons d'examiner les balais tous les deux à six mois. Vous ne devriez utiliser que les balais de rechange d'origine Bosch qui conviennent spécialement à votre outil.

Remplacement des balais du moteur

Pour inspecter ou remplacer les balais :

1. Débranchez la scie.

AVERTISSEMENT Le capuchon de balai est chargé par ressort par l'ensemble de balai.

2. Retirez le capuchon de balai sur le moteur à l'aide d'un tournevis à lame plate large.
3. Tirez le balai vers l'extérieur (Figure 1). Répétez pour le côté opposé.

REMARQUE : Si vous posez le ou les balais existants, assurez-vous que le balai est inséré de la même façon qu'il en est sorti. Sinon, il s'ensuivra une période de rodage qui réduira la performance du moteur et accroîtra l'usure des balais.

4. Inspectez les balais pour y relever tout signe d'usure. Une ligne de limite d'usure apparaît sur le côté plat large du balai. Si la face de contact du balai est à ou au-delà (aucune ligne visible) de la limite, remplacez les balais en ensemble.
5. Posez le nouveau balai. Les deux (2) languettes sur la borne du balai s'insèrent dans le même trou que celui dans lequel est insérée la pièce en carbone.
6. Serrez le capuchon de balai sans, toutefois, serrer excessivement.

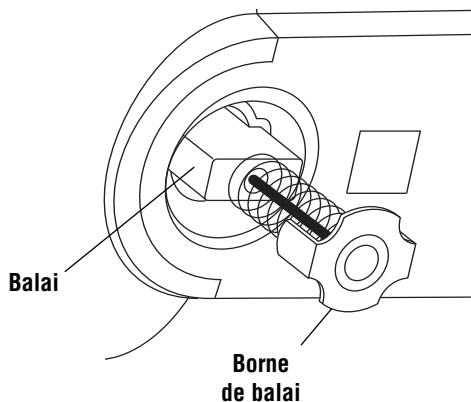


Figure 1. Balai du moteur

Courroie d'entraînement

La courroie d'entraînement est une pièce d'entretien normal. Elle doit être inspectée périodiquement pour contrôler son usure. Si elle présente des signes de séchage, des fissures ou des déchirures, il convient de la remplacer. Si elle ne parvient pas à rester correctement dans l'alignement ou qu'elle s'échappe des poulies, il faut la remplacer.

1. Installation d'une courroie neuve :
2. Desserrez les deux vis et enlevez le capot de la courroie d'entraînement.
3. Coupez et enlevez la courroie usée (Figure 2). Avant d'installer la courroie neuve, nettoyez bien les deux poulies.
4. D'abord, placez la nouvelle courroie d'entraînement sur la poulie menante, ensuite faites tourner cette dernière en sens horaire tout en poussant la courroie sur la poulie menée.
5. Remontez le capot de la courroie d'entraînement et serrez les vis fermement.

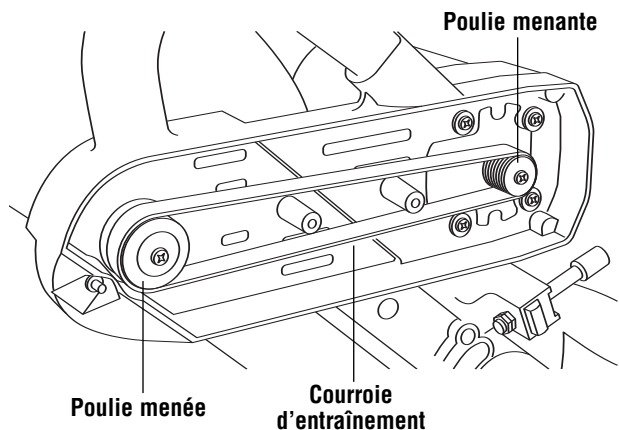


Figure 2. Remplacement de la courroie

Nettoyage

AVERTISSEMENT Pour éviter le risque d'accidents, débranchez toujours l'outil de la prise de courant avant de procéder au nettoyage ou à l'entretien. Vous pouvez très bien le nettoyer à l'air sec comprimé. Dans ce cas, portez toujours des lunettes de sécurité.

Gardez les prises d'air et les interrupteurs propres et libres de débris. N'essayez pas de les nettoyer en introduisant des objets pointus dans leurs ouvertures.

Vérifiez régulièrement pour vous assurer que le protecteur inférieur et toutes les pièces en mouvement fonctionnent adéquatement.

Enlevez le bran de scie accumulé sur les pièces de travail en soufflant à l'aide d'air comprimé ou en essuyant avec un chiffon humide.

MISE EN GARDE Certains produits de nettoyage et solvants dont la gazoline, le tétrachlorure de carbone, les nettoyeurs chlorés, l'ammoniaque et les détergents ménagers contenant de l'ammoniaque peuvent abîmer les pièces en plastique.

Entretien des lames

Les lames finissent par s'émousser, même à couper des pièces de bois régulières. Si vous constatez que vous devez forcer la scie à avancer plutôt que de la guider simplement vers la ligne de coupe, il est probable que la lame est émoussée ou souillée de résine.

Quand vous devez enlever la gomme et la résine de la lame de votre scie, débranchez d'abord la scie avant d'enlever la lame. Souvenez-vous que les lames sont des objets tranchants et qu'elles doivent être manipulées avec soin. Essuyez la lame avec du kérosène ou un dissolvant similaire pour enlever l'accumulation de gomme et de résine. À moins que vous soyez parfaitement familier avec l'affûtage des lames, nous vous déconseillons de l'essayer.

Graissage de l'outil

Votre outil Bosch a été convenablement graissé et est prêt à utiliser. Il est recommandé que les outils à engrenages soient regraissés avec une graisse spéciale à l'occasion de tout remplacement de balais.

Lubrifiez périodiquement les pièces en mouvement à l'aide de silicone ou d'huile légère en vaporisateur. N'utilisez pas de graisse parce qu'elle a tendance à attirer et retenir le bran de scie.

Roulements

Tous les roulements de cet outil sont lubrifiés à l'aide d'une quantité suffisante de lubrifiant de haute qualité pour toute la durée de l'outil dans des conditions normales d'utilisation. Aucune lubrification ultérieure n'est nécessaire.

Dépannage

Guide de dépannage — Électrique

PROBLÈME	CAUSE	ACTION CORRECTRICE
Le frein n'arrête pas la lame dans un délai de 5 secondes.	<ol style="list-style-type: none">1. Les balais ne sont pas calés ou ils adhèrent légèrement.2. Le moteur a surchauffé en raison de l'utilisation d'une lame émoussée/ trop lourde, de l'utilisation d'un accessoire non recommandé ou de la mise en marche et à l'arrêt rapide.3. Boulon de lame desserré.4. Autre	<ul style="list-style-type: none">— Inspectez/nettoyez ou remplacez les balais (voir Section de maintenance).— Utilisez une lame affûtée.— Utilisez une lame recommandée.— Laissez la scie refroidir.— Serrez le boulon de lame.— Service agréé.
Le moteur ne démarre pas.	<ol style="list-style-type: none">1. Vérifiez que l'outil est branché.2. Fusible.3. Balais usés.4. La poignée n'est pas dans une position utilisable.5. Autre	<ul style="list-style-type: none">— Branchez l'outil. Utilisez une prise différente.— Disjoncteur ou fusible temporisé de 15 A.— Voir Remplacement des balais dans la section Maintenance et lubrification.— Bloquez la poignée dans une des quatre positions utilisables.— Service agréé.
Lumière-éclair depuis le capuchon du moteur lorsque l'interrupteur est relâché.	<ol style="list-style-type: none">1. Situation normale — le frein fonctionne adéquatement.	

Dépannage

Guide de dépannage — Généralités

PROBLÈME	CAUSE	ACTION CORRECTRICE
L'ensemble de la tête ne s'incline pas à la position désirée.	<ol style="list-style-type: none"> 1. La butée de biseau à 33,9° est enclenchée. 2. Le réglage du bouton de sélection de la plage d'inclinaison limite le mouvement. 	<ul style="list-style-type: none"> — Retirez la butée à 33,9° et faites-la pivoter de 90°. — Changez de plage
La lame se heurte contre la table.	<ol style="list-style-type: none"> 1. Défaut d'alignement 	<ul style="list-style-type: none"> — Service agréé.
L'angle de coupe n'est pas exact.	<ol style="list-style-type: none"> 1. Défaut d'alignement 	<ul style="list-style-type: none"> — Voir section Réglages.
Impossible de modifier l'ajustement d'onglet.	<ol style="list-style-type: none"> 1. Le bouton de blocage est serré/ le cran d'arrêt est engagé. 2. Bran de scie sous la table. 3. Le système de réglage micrométrique est enclenché. 4. La lame entrave le guide. 	<ul style="list-style-type: none"> — Desserrez le bouton de blocage/sortez du cran d'arrêt. — Aspirez ou soufflez le bran de scie. Portez des lunettes de protection. — Débrayez le système. — Service agréé.
La tête ne lève pas complètement ou le protecteur de lame ne se ferme pas complètement.	<ol style="list-style-type: none"> 1. Défaillance de pièces. 2. Le ressort de pivot ou le ressort de protecteur n'a pas été remis en place adéquatement après l'entretien. 3. La plaque de recouvrement n'a pas été serrée après la remise en place de la lame. 4. Accumulation de bran de scie. 	<ul style="list-style-type: none"> — Service agréé. — Service agréé. — Voir Installation de la lame à la page 85. — Nettoyez la tête.
La lame grippe, se coince, brûle du bois. Coupes grossières.	<ol style="list-style-type: none"> 1. Opération inappropriée. 2. Lame émoussée. 3. Lame inappropriée. 4. Lame pliée. 	<ul style="list-style-type: none"> — Voir section Opérations de base de la scie. — Remplacez ou affûtez la lame. — Remplacez par une lame de 10 po de diamètre conçue pour le matériau à couper. — Remplacez la lame.
L'outil vibre ou tremble.	<ol style="list-style-type: none"> 1. La lame de scie n'est pas ronde. 2. La lame de scie est abîmée. 3. La lame de scie est desserrée. 4. Autre 	<ul style="list-style-type: none"> — Remplacez la lame. — Remplacez la lame. — Serrez le boulon de lame. — Service agréé.
La lame ne coupe pas complètement l'ouvrage.	<ol style="list-style-type: none"> 1. La vis de butée de profondeur est réglée pour la coupe de rainures. 	<ul style="list-style-type: none"> — Voir Réglage de la butée de profondeur dans la section Réglages.
La tête ne glisse pas librement lorsque l'on tente une coupe par glissement. La tête glisse vers l'avant et l'arrière en pratiquant une coupe de fente.	<ol style="list-style-type: none"> 1. Le bouton de blocage des rails coulissants est serré. 2. Le bouton de blocage des rails coulissants n'est pas serré. 	<ul style="list-style-type: none"> — Desserrez le bouton de blocage des rails coulissants. — Poussez la tête entièrement contre la butée. Serrez le bouton de blocage des rails coulissants.
Le réglage du biseau ne reste pas en position.	<ol style="list-style-type: none"> 1. L'ensemble du levier de blocage du biseau doit être resserré.. 	<ul style="list-style-type: none"> — Resserrez le levier de blocage du biseau comme illustré à la page 89.

Accessoires

DWM40L: niveau/rapporteur/calculateur d'angle composé/rapporteur d'angle numérique MiterFinder™

Vous fournit les données nécessaires pour positionner les coupes de manière à ce qu'elles correspondent exactement même si la salle n'est pas d'équerre.

MS1220: pied pliant avec roues

Support robuste pour la scie et transport facile sur chantiers.

MS1221: bride rapide horizontale

Pour brider la pièce contre le guide. Se monte à droite ou à gauche de la table.

MS1226: Bride rapide verticale de rechange

MS1227: Système de support de pièces longues

Comprend deux pieds de support réglables.

MS1228: Butée de support pour corniches (2)

Positionne et supporte avec précision la corniche appuyée en angle contre le guide.

MS1229: kit de tiges d'embase extra-longues

Consiste en tiges de rechange en acier permettant d'amener la largeur totale de l'embase à 50 -1/2 po.

MS1230: kit de butée de longueur.

MS1231: éléments rapportés de rechange

MS1232: sac à poussière de rechange

Socle portable T3B TracRac™ avec roues

Permet de travailler des pièces pouvant atteindre 6 mètres (20 pi).

LIMITED WARRANTY OF BOSCH PORTABLE AND BENCHTOP POWER TOOLS

Robert Bosch Tool Corporation ("Seller") warrants to the original purchaser only, that all BOSCH portable and benchtop power tools will be free from defects in material or workmanship for a period of one year from date of purchase. SELLER'S SOLE OBLIGATION AND YOUR EXCLUSIVE REMEDY under this Limited Warranty and, to the extent permitted by law, any warranty or condition implied by law, shall be the repair or replacement of parts, without charge, which are defective in material or workmanship and which have not been misused, carelessly handled, or misrepaired by persons other than Seller or Authorized Service Station. To make a claim under this Limited Warranty, you must return the complete portable or benchtop power tool product, transportation prepaid, to any BOSCH Factory Service Center or Authorized Service Station. For Authorized BOSCH Power Tool Service Stations, please refer to your phone directory.

THIS LIMITED WARRANTY DOES NOT APPLY TO ACCESSORY ITEMS SUCH AS CIRCULAR SAW BLADES, DRILL BITS, ROUTER BITS, JIGSAW BLADES, SANDING BELTS, GRINDING WHEELS AND OTHER RELATED ITEMS.

ANY IMPLIED WARRANTIES SHALL BE LIMITED IN DURATION TO ONE YEAR FROM DATE OF PURCHASE. SOME STATES IN THE U.S., SOME CANADIAN PROVINCES DO NOT ALLOW LIMITATIONS ON HOW LONG AN IMPLIED WARRANTY LASTS, SO THE ABOVE LIMITATION MAY NOT APPLY TO YOU.

IN NO EVENT SHALL SELLER BE LIABLE FOR ANY INCIDENTAL OR CONSEQUENTIAL DAMAGES (INCLUDING BUT NOT LIMITED TO LIABILITY FOR LOSS OF PROFITS) ARISING FROM THE SALE OR USE OF THIS PRODUCT. SOME STATES IN THE U.S. AND SOME CANADIAN PROVINCES DO NOT ALLOW THE EXCLUSION OR LIMITATION OF INCIDENTAL OR CONSEQUENTIAL DAMAGES, SO THE ABOVE LIMITATION OR EXCLUSION MAY NOT APPLY TO YOU.

THIS LIMITED WARRANTY GIVES YOU SPECIFIC LEGAL RIGHTS, AND YOU MAY ALSO HAVE OTHER RIGHTS WHICH VARY FROM STATE TO STATE IN THE U.S., PROVINCE TO PROVINCE IN CANADA AND FROM COUNTRY TO COUNTRY.

THIS LIMITED WARRANTY APPLIES ONLY TO PORTABLE AND BENCHTOP ELECTRIC TOOLS SOLD WITHIN THE UNITED STATES OF AMERICA, CANADA AND THE COMMONWEALTH OF PUERTO RICO. FOR WARRANTY COVERAGE WITHIN OTHER COUNTRIES, CONTACT YOUR LOCAL BOSCH DEALER OR IMPORTER.

GARANTIE LIMITÉE DES OUTILS ÉLECTRIQUES PORTATIFS ET D'ÉTABLI BOSCH

Robert Bosch Tool Corporation (le « vendeur ») garantit à l'acheteur initial seulement que tous les outils électriques portatifs et d'établi BOSCH seront exempts de vices de matériaux ou d'exécution pendant une période d'un an depuis la date d'achat. LA SEULE OBLIGATION DU VENDEUR ET LE SEUL RECOURS DE L'ACHETEUR sous la présente garantie limitée, et en autant que la loi le permette sous toute garantie ou condition implicite qui en découlerait, sera l'obligation de remplacer ou réparer gratuitement les pièces défectueuses matériellement ou comme fabrication, pourvu que lesdites déficiences ne soient pas attribuables à un usage abusif ou à quelque réparation bricolée par quelqu'un d'autre que le vendeur ou le personnel d'une station-service agréée. Pour présenter une réclamation en vertu de cette garantie limitée, vous devez renvoyer l'outil électrique portatif ou d'établi complet, port payé, à tout centre de service agréé ou centre de service usine BOSCH. Veuillez consulter votre annuaire téléphonique pour les adresses.

LA PRÉSENTE GARANTIE NE S'APPLIQUE PAS AUX ACCESSOIRES TELS QUE LAMES DE SCIES CIRCULAIRES, MÈCHES DE PERCEUSES, FERS DE TOUPIES, LAMES DE SCIES SAUTEUSES, COURROIS DE PONÇAGE, MEULES ET AUTRES ARTICLES DU GENRE.

TOUTE GARANTIE IMPLICITE SERA LIMITÉE COMME DURÉE À UN AN À COMPTER DE LA DATE D'ACHAT. CERTAINS ÉTATS AMÉRICAINS, CERTAINES PROVINCES CANADIENNES N'ADMETTANT PAS LE PRINCIPE DE LA LIMITATION DE LA DURÉE DES GARANTIES IMPLICITES, IL EST POSSIBLE QUE LES LIMITATIONS CI-DESSUS NE S'APPLIQUENT PAS À VOTRE CAS.

EN AUCUN CAS LE VENDEUR NE SAURAIT ÊTRE TENU POUR RESPONSABLE DES INCIDENTS OU DOMMAGES INDIRECTS (INCLUANT, MAIS NE SE LIMITANT PAS AUX PERTES DE PROFITS) CONSÉQUENTS À LA VENTE OU L'USAGE DE CE PRODUIT. CERTAINS ÉTATS AMÉRICAINS ET CERTAINES PROVINCES CANADIENNES N'ADMETTANT PAS LE PRINCIPE DE LA LIMITATION NI L'EXCLUSION DES DOMMAGES INDIRECTS ET CONSÉQUENTIELS, IL EST POSSIBLE QUE LES LIMITATIONS OU EXCLUSIONS CI-DESSUS NE S'APPLIQUENT PAS À VOTRE CAS.

LA PRÉSENTE GARANTIE VOUS ACCORDE DES DROITS BIEN DÉTERMINÉS, Y COMPRIS POSSIBLEMENT CERTAINS DROITS VARIABLES DANS LES DIFFÉRENTS ÉTATS AMÉRICAINS, PROVINCES CANADIENNES ET DE PAYS À PAYS.

CETTE GARANTIE LIMITÉE NE S'APPLIQUE QU'AUX OUTILS ÉLECTRIQUES PORTATIFS ET D'ÉTABLI VENDUS AUX ÉTATS-UNIS D'AMÉRIQUE, AU CANADA ET AU COMMONWEALTH DE PORTO RICO. POUR COUVERTURE DE GARANTIE DANS LES AUTRES PAYS, CONTACTEZ VOTRE IMPORTATEUR OU REVENDEUR BOSCH LOCAL.

GARANTIA LIMITADA PARA HERRAMIENTAS MECANICAS PORTATILES Y PARA TABLERO DE BANCO BOSCH

Robert Bosch Tool Corporation ("el Vendedor") garantiza, únicamente al comprador original, que todas las herramientas mecánicas portátiles y para tablero de banco BOSCH estarán libres de defectos de material o de fabricación durante un período de un año a partir de la fecha de compra. LA UNICA OBLIGACION DEL VENDEDOR Y EL RECURSO EXCLUSIVO QUE USTED TIENE bajo esta Garantía Limitada y, hasta donde la ley lo permita, bajo cualquier garantía o condición implícita por ley, consistirá en la reparación o sustitución sin costo de las piezas que presenten defectos de material o de fabricación y que no hayan sido utilizadas incorrectamente, manejadas descuidadamente o reparadas incorrectamente por personas que no sean el Vendedor o una Estación de servicio autorizada. Para efectuar una reclamación bajo esta Garantía Limitada, usted debe devolver el producto, que consiste en la herramienta mecánica portátil o para tablero de banco completa, con el transporte pagado, a cualquier Centro de servicio de fábrica o Estación de servicio autorizada BOSCH. Para Estaciones de servicio autorizadas de herramientas mecánicas BOSCH, por favor, consulte el directorio telefónico.

ESTA GARANTIA LIMITADA NO SE APLICA A ARTICULOS ACCESORIOS TALES COMO HOJAS PARA SIERRAS CIRCULARES, BROCAS PARA TALADROS, BROCAS PARA FRESADORAS, HOJAS PARA SIERRAS DE VAIVEN, CORREAS PARA LIJAR, RUEDAS DE AMOLAR Y OTROS ARTICULOS RELACIONADOS.

TODAS LAS GARANTIAS IMPLICITAS TENDRAN UNA DURACION LIMITADA A UN AÑO A PARTIR DE LA FECHA DE COMPRA. ALGUNOS ESTADOS DE LOS EE.UU., ALGUNAS PROVINCIAS CANADIENSES NO PERMITEN LIMITACIONES EN CUANTO A LA DURACION DE UNA GARANTIA IMPLICITA, POR LO QUE ES POSIBLE QUE LA LIMITACION ANTERIOR NO SEA APLICABLE EN EL CASO DE USTED.

EL VENDEDOR NO SERA RESPONSABLE EN NINGUN CASO DE NINGUN DAÑO INCIDENTAL O EMERGENTE (INCLUYENDO PERO NO LIMITADO A RESPONSABILIDAD POR PERDIDA DE BENEFICIOS) QUE SE PRODUZCA COMO CONSECUENCIA DE LA VENTA O UTILIZACION DE ESTE PRODUCTO. ALGUNOS ESTADOS DE LOS EE.UU. Y ALGUNAS PROVINCIAS CANADIENSES NO PERMITEN LA EXCLUSION O LIMITACION DE LOS DAÑOS INCIDENTALES O EMERGENTES, POR LO QUE ES POSIBLE QUE LA LIMITACION O EXCLUSION ANTERIOR NO SEA APLICABLE EN EL CASO DE USTED.

ESTA GARANTIA LIMITADA LE CONFIERE A USTED DERECHOS LEGALES ESPECIFICOS Y ES POSIBLE QUE USTED TAMBIEN TENGA OTROS DERECHOS QUE VARIAN DE ESTADO A ESTADO EN LOS EE.UU., DE PROVINCIA A PROVINCIA EN CANADA Y DE UN PAIS A OTRO.

ESTA GARANTIA LIMITADA SE APLICA SOLAMENTE A HERRAMIENTAS ELECTRICAS PORTATILES Y PARA TABLERO DE BANCO VENDIDAS EN LOS ESTADOS UNIDOS DE AMERICA, CANADA Y EL ESTADO LIBRE ASOCIADO DE PUERTO RICO. PARA COBERTURA DE GARANTIA EN OTROS PAISES, PONGASE EN CONTACTO CON SU DISTRIBUIDOR O IMPORTADOR LOCAL DE BOSCH.

© Robert Bosch Tool Corporation 1800 W. Central Road Mt. Prospect, IL 60056 -2230

Exportado por: Robert Bosch Tool Corporation Mt. Prospect, IL 60056 -2230, E.U.A.

Importado en México por: Robert Bosch, S.A. de C.V., Calle Robert Bosch No. 405, Zona Industrial, Toluca, Edo. de México, C.P. 50070, Tel. (722) 2792300

Free Manuals Download Website

<http://myh66.com>

<http://usermanuals.us>

<http://www.somanuals.com>

<http://www.4manuals.cc>

<http://www.manual-lib.com>

<http://www.404manual.com>

<http://www.luxmanual.com>

<http://aubethermostatmanual.com>

Golf course search by state

<http://golfingnear.com>

Email search by domain

<http://emailbydomain.com>

Auto manuals search

<http://auto.somanuals.com>

TV manuals search

<http://tv.somanuals.com>