

BOSCH



2 6 1 0 9 1 7 1 3 2

IMPORTANT:
Read Before Using

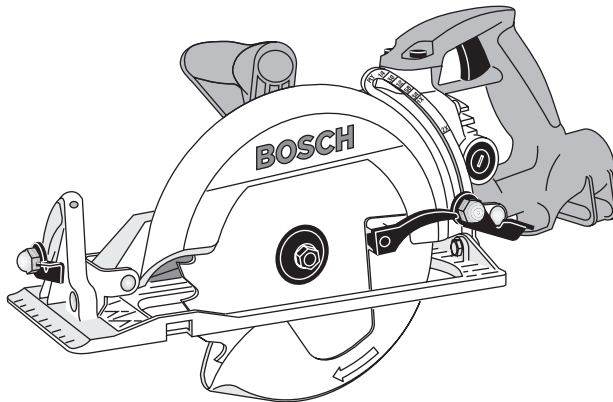
IMPORTANT :
Lire avant usage

IMPORTANTE:
Leer antes de usar



Operating/Safety Instructions
Consignes de fonctionnement/sécurité
Instrucciones de funcionamiento y seguridad

1677MD
1677MDT



Consumer Information
Renseignements des consommateurs
Información para el consumidor

Toll Free Number: 1-877-BOSCH99 (1-877-267-2499) **Appel gratuit :** **Número de teléfono gratuito:** <http://www.boschtools.com>

For English
See page 2

Parlez-vous français?
Voir page 15

¿Habla español?
Ver página 28

Power Tool Safety Rules

⚠ WARNING Read and understand all instructions. Failure to follow all instructions listed below, may result in electric shock, fire and/or serious personal injury.

SAVE THESE INSTRUCTIONS

Work Area

Keep your work area clean and well lit. Cluttered benches and dark areas invite accidents.

Do not operate power tools in explosive atmospheres, such as in the presence of flammable liquids, gases, or dust. Power tools create sparks which may ignite the dust or fumes.

Keep by-standers, children, and visitors away while operating a power tool. Distractions can cause you to lose control.

Electrical Safety

Grounded tools must be plugged into an outlet properly installed and grounded in accordance with all codes and ordinances. Never remove the grounding prong or modify the plug in any way. Do not use any adaptor plugs. Check with a qualified electrician if you are in doubt as to whether the outlet is properly grounded. If the tools should electrically malfunction or break down, grounding provides a low resistance path to carry electricity away from the user. Improper grounding can shock, burn or electrocute. Grounded tools are equipped with three conductor cord and three prong type plugs. *Before plugging in the tool be certain the outlet voltage supplied is within the voltage marked on the nameplate. Do not use "AC only" rated tools with a DC power supply.*

Avoid body contact with grounded surfaces such as pipes, radiators, ranges and refrigerators. There is an increased risk of electric shock if your body is grounded. If operating the power tool in damp locations is unavoidable, a Ground Fault Circuit Interrupter must be used to supply the power to your tool. Electrician's rubber gloves and footwear will further enhance your personal safety.

Don't expose power tools to rain or wet conditions. Water entering a power tool will increase the risk of electric shock.

Do not abuse the cord. Never use the cord to carry the tools or pull the plug from an outlet. Keep cord away from heat, oil, sharp edges or moving parts. Replace damaged cords immediately. Damaged cords increase the risk of electric shock.

When operating a power tool outside, use an outdoor extension cord marked "W-A" or "W." These cords are rated for outdoor use and reduce the risk of electric shock. Refer to "Recommended sizes of Extension Cords" in the Accessory section of this manual.

Personal Safety

Stay alert, watch what you are doing and use common sense when operating a power tool. Do not use tool while tired or under the influence of drugs, alcohol, or medication. A moment of inattention while operating power tools may result in serious personal injury.

Dress properly. Do not wear loose clothing or jewelry. Contain long hair. Keep your hair, clothing, and gloves away from moving parts. Loose clothes, jewelry, or long hair can be caught in moving parts. Keep handles dry, clean and free from oil and grease.

Avoid accidental starting. Be sure switch is "OFF" before plugging in. Carrying tools with your finger on the switch or plugging in tools that have the switch "ON" invites accidents.

Remove adjusting keys or wrenches before turning the tool "ON". A wrench or a key that is left attached to a rotating part of the tool may result in personal injury.

Do not overreach. Keep proper footing and balance at all times. Proper footing and balance enables better control of the tool in unexpected situations.

Use safety equipment. Always wear eye protection. Dust mask, non-skid safety shoes, hard hat, or hearing protection must be used for appropriate conditions.

Tool Use and Care

Use clamps or other practical way to secure and support the workpiece to a stable platform. Holding the work by hand or against your body is unstable and may lead to loss of control.

Do not force tool. Use the correct tool for your application. The correct tool will do the job better and safer at the rate for which it is designed. **Do not use tool if switch does not turn it "ON" or "OFF".** Any tool that cannot be controlled with the switch is dangerous and must be repaired.

Disconnect the plug from the power source before making any adjustments, changing accessories, or storing the tool. Such preventive safety measures reduce the risk of starting the tool accidentally.

Store idle tools out of reach of children and other untrained persons. Tools are dangerous in the hands of untrained users.

Maintain tools with care. Keep cutting tools sharp and clean. Properly maintained tools, with sharp cutting edges are less likely to bind and are easier to control. Any alteration or modification is a misuse and may result in a dangerous condition.

Check for misalignment or binding of moving parts, breakage of parts, and any

other condition that may affect the tools operation. If damaged, have the tool serviced before using. Many accidents are caused by poorly maintained tools. Develop a periodic maintenance schedule for your tool.

Use only accessories that are recommended by the manufacturer for your model. Accessories that may be suitable for one tool, may become hazardous when used on another tool.

Service

Tool service must be performed only by qualified repair personnel. Service or maintenance performed by unqualified personnel could result in a risk of injury. For example: internal wires may be misplaced or pinched, safety guard return springs may be improperly mounted.

When servicing a tool, use only identical replacement parts. Follow instructions in the Maintenance section of this manual. Use of unauthorized parts or failure to follow Maintenance Instructions may create a risk of electric shock or injury. Certain cleaning agents such as gasoline, carbon tetrachloride, ammonia, etc. may damage plastic parts.

Safety Rules for Circular Saws



Keep hands away from cutting area and blade. Keep your second hand on auxiliary handle, or motor housing. If both hands are holding the saw, they cannot be cut by the blade. *Hold the saw firmly to prevent loss of control. Figures in this manual illustrate typical hand support of the saw. NEVER place your hand behind the saw blade since kickback could cause the saw to jump backwards over your hand.*

Keep your body positioned to either side of the saw blade, but not in line with the saw blade. KICKBACK could cause the saw to jump backwards. (See "Causes and Operator Prevention of Kickback.")

Do not reach underneath the work. The guard cannot protect you from the blade below the work. *Do not attempt to remove cut material when blade is moving.*

Check lower guard for proper closing before each use. Do not operate saw if lower guard does not move freely and close instantly. Never clamp or tie the lower guard into the open position. If saw is accidentally dropped, lower guard may be bent. Raise the lower guard only with the Lower Guard Lift Lever and make sure it moves freely and does not touch the blade or any other part, in all angles and depths of cut.

Check the operation of the lower guard spring. If the guard and the spring are not operating properly, they must be serviced before use. Lower guard may operate sluggishly due to damaged parts, gummy deposits, or a buildup of debris. *Disconnect the plug from power source. Periodically remove the blade, clean the upper, lower guards and the hub area with kerosene and wipe it dry, or blow it clean with compressed air.*

Lower guard should be retracted manually only for special cuts such as "Pocket Cuts" and "Compound Cuts". Raise lower guard by Lower Guard Lift Lever. As soon as blade enters the material, lower guard must be released. For all other sawing, the lower guard should operate automatically.

Always observe that the lower guard is covering the blade before placing saw down on bench or floor. An unprotected, coasting blade will cause the saw to walk backwards, cutting whatever is in its path. Be aware of the time it takes for the blade to stop after switch is released.

NEVER hold piece being cut in your hands or across your leg. It is important to support the work properly to minimize body exposure, blade binding, or loss of control.

Hold tool by the insulated gripping surfaces when performing an operation where the cutting tool may contact hidden wiring or its own cord. Contact with a "live" wire will also make exposed metal parts of the tool "live" and shock the operator.

When ripping always use a rip fence or straight edge guide. This improves accuracy of cut and reduces the chance for blade binding.

Always use blades with correct size and shape (diamond vs. round) arbor holes. Blades that do not match the mounting hardware of the saw will run eccentrically, causing loss of control and will not allow proper vari-torque engagement.

Never use damaged or incorrect blade washers or bolts. The blade washers and bolt were specially designed for your saw, for optimum performance and safety of operation. *The blade washers and the bolt on your saw have been designed to work as a "VARI-TORQUE CLUTCH". Understand the operation and settings of the VARI-TORQUE CLUTCH, because the proper setting of the CLUTCH,*

combined with firm handling of the saw will allow you to control KICKBACK.

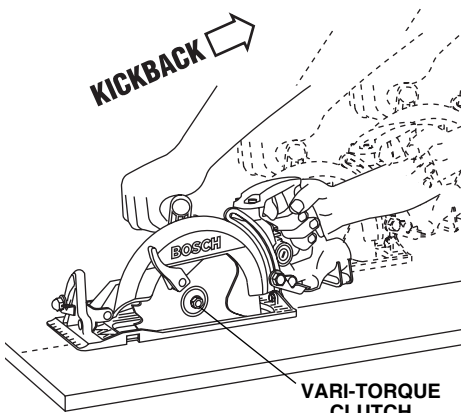
Do not run the saw while carrying it at your side. Lower guard may be opened by a contact with your clothing. Accidental contact with the spinning saw blade could result in serious personal injury.

Depending upon use, the switch may not last the life of the saw. If the switch should fail in the "OFF" position, the saw may not start. If it should fail while the saw is running, the saw may not shut off. If either occurs, unplug the saw immediately and do not use until repaired.

This circular saw should not be mounted to a table and converted to a table saw. Circular saws are not designed or intended to be used as table saws.

CAUSES AND OPERATOR PREVENTION OF KICKBACK:

Kickback is a sudden reaction to a pinched, bound or misaligned saw blade, causing an uncontrolled saw to lift up and out of the workpiece toward the operator.



When the blade is pinched or bound tightly by the kerf closing down, the blade stalls and the motor reaction drives the unit rapidly back toward the operator.

If the blade becomes twisted or misaligned in the cut, the teeth at the back edge of the blade can dig into the top surface of the wood causing the blade to climb out of the kerf and jump back toward the operator.

Kickback is the result of tool misuse and/or incorrect operating procedures or conditions and can be avoided by taking proper precautions as given below:

Maintain a firm grip with both hands on the saw and position your body and arm to allow you to resist KICKBACK forces. KICKBACK forces can be controlled by the operator, if proper precautions are taken.

When blade is binding, or when interrupting a cut for any reason, release the trigger and hold the saw motionless in the material until the blade comes to a complete stop. Never attempt to remove the saw from the work or pull the saw backward while the blade is in motion or KICKBACK may occur. Investigate and take corrective action to eliminate the cause of blade binding. *Wet lumber, green lumber or pressure treated lumber require special attention during cutting operation to prevent KICKBACK. Avoid cutting nails. Inspect for and remove all nails from lumber before cutting.*

When restarting a saw in a workpiece, center the saw blade in the kerf and check that saw teeth are not engaged into the material. If saw blade is binding, it may walk up or KICKBACK from the workpiece as the saw is restarted.

Support large panels to minimize the risk of blade pinching and KICKBACK. Large panels tend to sag under their own weight. Supports must be placed under the panel on both sides, near the line of cut and near the edge of the panel. See "Cutting Large Sheets" in this manual.

Do not use dull or damaged blade. Unsharpened or improperly set blades produce narrow kerf causing excessive friction, blade binding and KICKBACK.

Blade depth and bevel adjusting locking knobs must be tight and secure before making cut. If blade adjustment shifts while cutting, it may cause binding and KICKBACK. *Using the saw with an excessive depth of cut setting increases loading on the unit and susceptibility to twisting of the blade in the kerf. It also increases the surface area of the blade available for pinching under conditions of kerf close down.*

Use extra caution when making a "Pocket Cut" into existing walls or other blind areas. The protruding blade may cut objects that can cause KICKBACK.


⚠ WARNING Some dust created by power sanding, sawing, grinding, drilling, and other construction activities contains chemicals known to cause cancer, birth defects or other reproductive harm. Some examples of these chemicals are:


- Lead from lead-based paints,
- Crystalline silica from bricks and cement and other masonry products, and
- Arsenic and chromium from chemically-treated lumber.


Your risk from these exposures varies, depending on how often you do this type of work. To reduce your exposure to these chemicals: work in a well ventilated area, and work with approved safety equipment, such as those dust masks that are specially designed to filter out microscopic particles.

Symbols

IMPORTANT: Some of the following symbols may be used on your tool. Please study them and learn their meaning. Proper interpretation of these symbols will allow you to operate the tool better and safer.


Symbol	Name	Designation/Explanation
V	Volts	Voltage (potential)
A	Amperes	Current
Hz	Hertz	Frequency (cycles per second)
W	Watt	Power
kg	Kilograms	Weight
min	Minutes	Time
s	Seconds	Time
∅	Diameter	Size of drill bits, grinding wheels, etc.
n ₀	No load speed	Rotational speed, at no load
.../min	Revolutions or reciprocation per minute	Revolutions, strokes, surface speed, orbits etc. per minute
0	Off position	Zero speed, zero torque...
1, 2, 3, ... I, II, III,	Selector settings	Speed, torque or position settings. Higher number means greater speed
0 ▲	Infinitely variable selector with off	Speed is increasing from 0 setting
➔	Arrow	Action in the direction of arrow
~	Alternating current	Type or a characteristic of current
≡	Direct current	Type or a characteristic of current
~	Alternating or direct current	Type or a characteristic of current
□	Class II construction	Designates Double Insulated Construction tools.
⊕	Earthing terminal	Grounding terminal
⚠	Warning symbol	Alerts user to warning messages
	Ni-Cad RBRC seal	Designates Ni-Cad battery recycling program


 This symbol designates that this tool is listed by Underwriters Laboratories.

 This symbol designates that this tool is listed to Canadian Standards by Underwriters Laboratories.



This symbol designates that this tool complies to NOM Mexican Standards.

 This symbol designates that this tool is listed by the Canadian Standards Association.

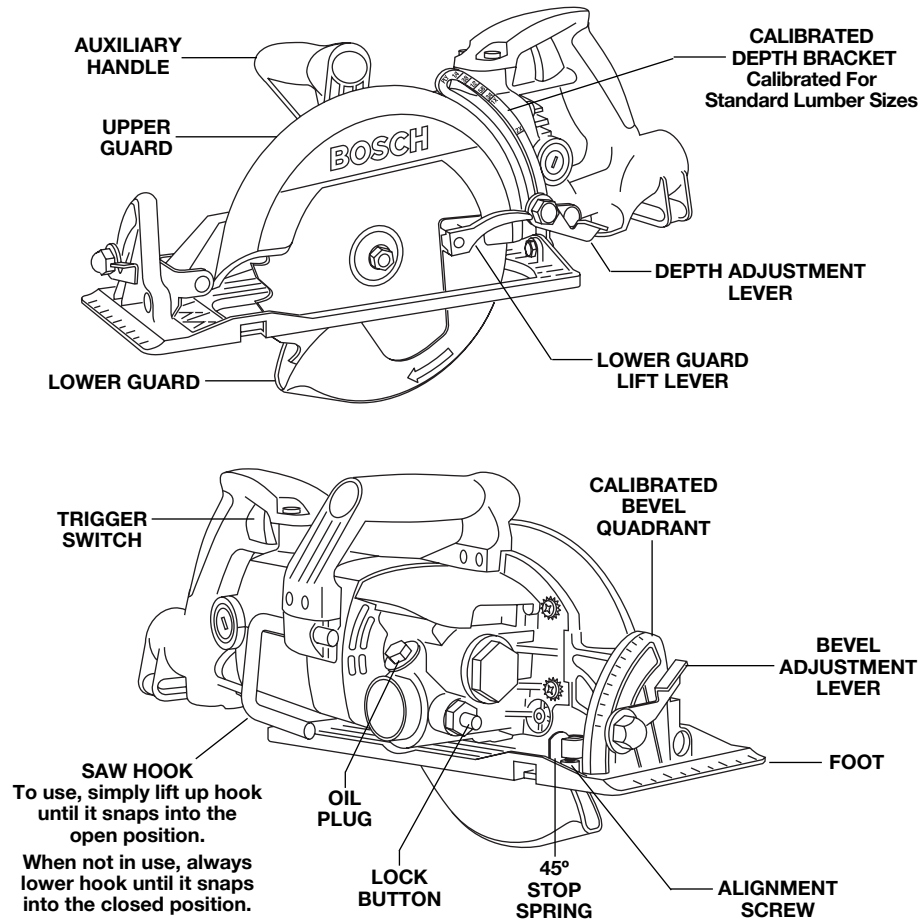
 This symbol designates that this tool is listed by Underwriters Laboratories, and listed to Canadian Standards by Underwriters Laboratories.

Functional Description and Specifications

⚠ WARNING Disconnect the plug from the power source before making any assembly, adjustments or changing accessories. Such preventive safety measures reduce the risk of starting the tool accidentally.

Circular Saw

FIG. 1



Blade 7-1/4"
Blade arbor hole Diamond

Maximum Capacities

Depth of cut at 90° 2-3/8"
Depth of cut at 45° 1-15/16"
Depth of cut at 50° 1-13/16"

NOTE: For tool specifications refer to the nameplate on your tool.

Assembly

ATTACHING THE BLADE

⚠ WARNING Disconnect the plug from the power source before making any assembly, adjustments or changing accessories. Such preventive safety measures reduce the risk of starting the tool accidentally.

1. Press the lock button and turn wrench until lock button engages. Saw shaft is now locked. Continue to depress button, turn wrench clockwise and remove BLADE STUD and OUTER WASHER (Fig. 2).
2. Retract the lower guard all the way up into the upper guard. While retracting the lower guard, check operation and condition of the LOWER GUARD SPRING.
3. Make sure the saw teeth and arrow on the blade point in the same direction as the arrow on the lower guard.
4. Slide blade through slot in the foot and mount it against the INNER WASHER on the shaft. Be sure the large diameter of the INNER and OUTER washers lay flush against the blade.

5. Reinstall OUTER WASHER. First tighten BLADE STUD finger tight, then TIGHTEN BLADE STUD 1/8 TURN (45°) WITH THE WRENCH PROVIDED.

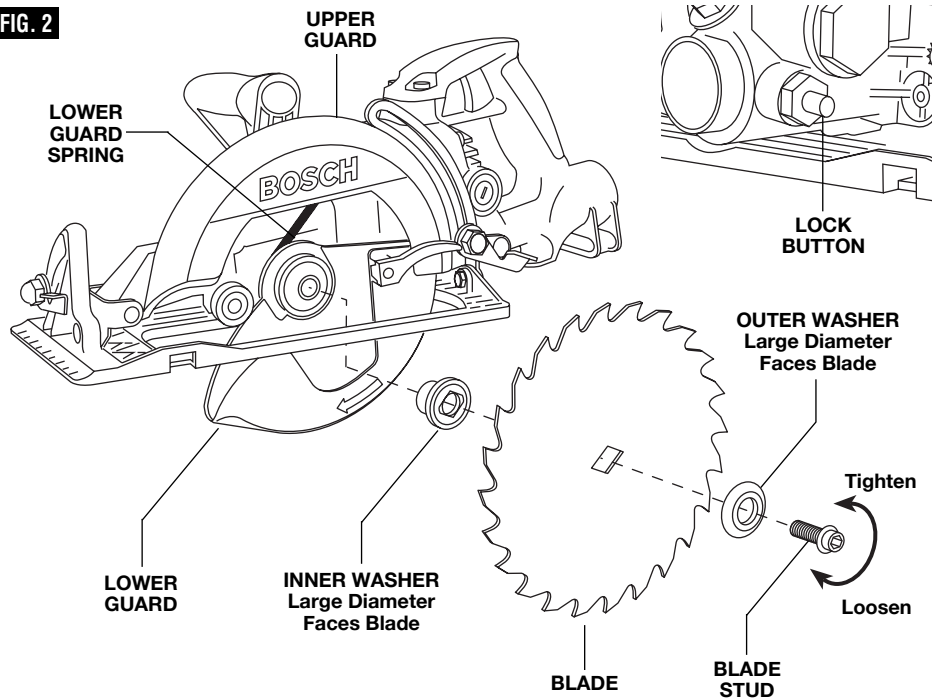
Do not use wrenches with longer handles, since it may lead to over tightening of the blade stud.

VARI-TORQUE CLUTCH

This clutching action is provided by the friction of the OUTER WASHER against the BLADE and permits the blade shaft to turn when the blade encounters excessive resistance. When the BLADE STUD is properly tightened (as described in No. 5 of Attaching The Blade), the blade will slip when it encounters excessive resistance, thus reducing saw's tendency to KICKBACK.

One setting may not be sufficient for cutting all materials. If excessive blade slippage occurs, tighten the blade stud a fraction of a turn more (less than 1/8 turn). OVERTIGHTENING THE BLADE STUD NULLIFIES THE EFFECTIVENESS OF THE CLUTCH.

FIG. 2



Installing Power Cord

⚠ WARNING DIRECT CORD CONNECT SYSTEM HAS BEEN CONFIGURED TO BE USED WITH 12AWG SJ CORD, MAXIMUM LENGTH OF 50 FEET. INSPECT THE CORD, DO NOT USE IF DAMAGED.

1. Loop cord as shown in figure A.
2. Insert looped end of cord through slot in handle and loop cord into channel provided in handle as shown figure. B).

ATTENTION: before inserting plug into handle, always make sure you leave enough cord at plug end to avoid tension on plug when inserted into tool.

3. Push end of plug through spring clip and into female outlet in handle as shown below .
- 4 To remove plug from tool, simply remove from outlet and pull away from spring clip.

NOTE: If the spring clip does not securely hold the plug it may be necessary to lightly squeeze the clip together with a pliers.

FIG. A

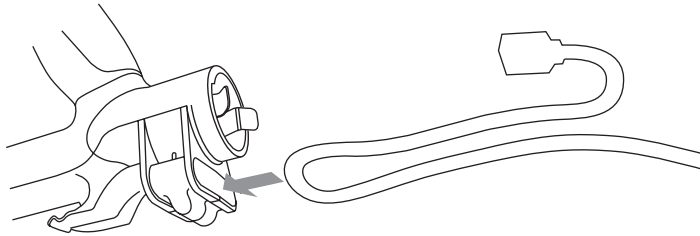
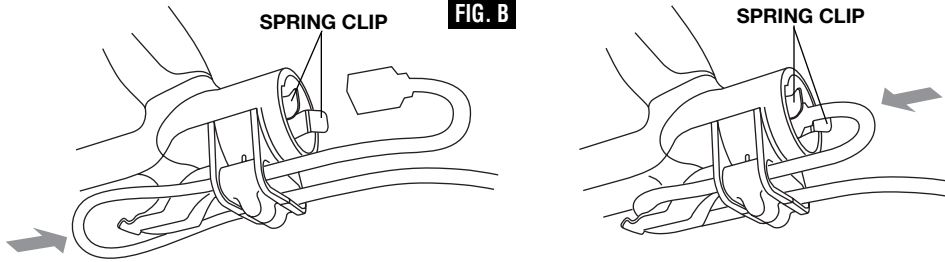


FIG. B

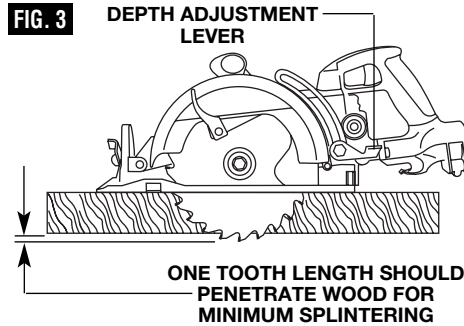


Operating Instructions

DEPTH ADJUSTMENT

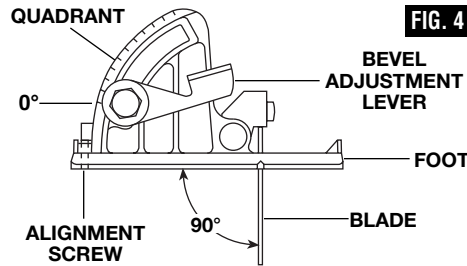
Disconnect plug from power source. Loosen the depth adjustment lever located between the guard and handle of saw. Hold the foot down with one hand and raise or lower saw by the handle. Tighten lever at the depth setting desired. Check desired depth (Fig. 3).

Not more than one tooth length of the blade should extend below the material to be cut, for minimum splintering (Fig. 3).



90° CUTTING ANGLE CHECK

Disconnect plug from power source. Set foot to maximum depth of cut setting. Loosen bevel adjustment lever, set to 0° on quadrant, retighten bevel adjustment lever first, then the depth adjustment lever and check for 90° angle between the blade and bottom plane of foot with a square (Fig. 4). Make adjustments by turning the small alignment screw from bottom side of foot, if necessary (Fig. 4).

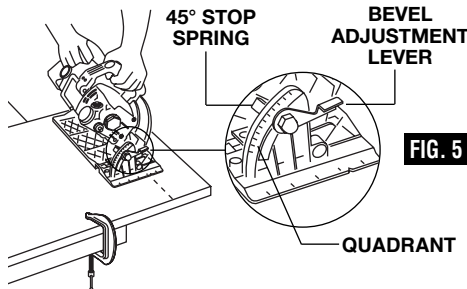


BEVEL ADJUSTMENT

Disconnect plug from power source. The foot can be adjusted up to 45° by loosening the bevel adjustment lever at the front of the saw and aligning foot to desired angle on calibrated quadrant. To maintain adjustment, Always tighten bevel adjustment first, then the depth adjustment lever (Fig. 5).

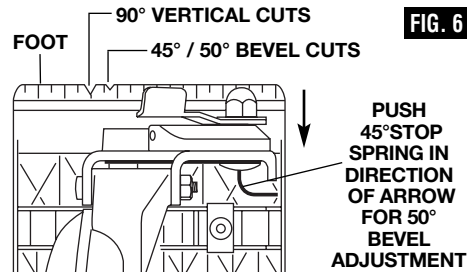
For 50° cuts, loosen bevel adjustment lever, depress 45° stop spring, adjust foot to 50° and tighten lever (Fig. 5). Because of the increased amount of blade engagement in the work and decreased stability of the foot, blade

binding may occur. Keep the saw steady and the foot firmly on the workpiece.



LINE GUIDE

For a straight 90° cut, use the large notch in the foot. For 45° bevel cuts, use the small notch (Fig. 6). The cutting guide notch will give an approximate line of cut. Make sample cuts in scrap lumber to verify actual line of cut. This will be helpful because of the number of different blade types and thicknesses available. To ensure minimum splintering on the good side of the material to be cut, face the good side down.



SWITCH**⚠ WARNING** When starting the tool, hold it with both hands.

The torque from the motor can cause the tool to twist.

To turn tool "ON", squeeze the trigger switch. To turn the tool "OFF", release the trigger switch, which is spring loaded and will return to the off position automatically.

Your saw should be running at full speed BEFORE starting the cut, and turned off only AFTER completing the cut. To increase switch life, do not turn switch on and off while cutting.

GENERAL CUTS

Always hold the saw handle with one hand and the auxiliary handle or housing with the other.

⚠ WARNING Always be sure either hand does not interfere with the free movement of the lower guard.

Maintain a firm grip and operate the switch with a decisive action. Never force the saw. Use light and continuous pressure.

⚠ WARNING After completing a cut and the trigger has been released, be aware of the necessary time it takes for the blade to come to a complete stop during coast down. Do not allow the saw to brush against your leg or side, since the lower guard is retractable, it could catch on your clothing and expose the blade. Be aware of the necessary blade exposures that exist in both the upper and lower guard areas.

When cutting is interrupted, to resume cutting: squeeze the trigger and allow the blade to reach full speed, re-enter the cut slowly and resume cutting.

When cutting across the grain, the fibers of the wood have a tendency to tear and lift. Advancing the saw slowly minimizes this effect. For a finished cut, a cross cut blade or miter blade is recommended.

CUTTING MASONRY/METAL

This tool is not recommended for continuous and general usage with metal or masonry cut-off wheels. If you use your saw for cutting these materials, use the appropriate wheel for the material being cut.

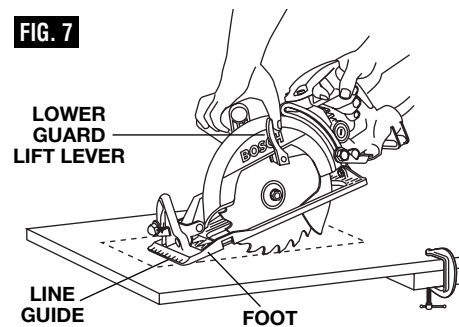
When cutting masonry, do not cut a depth of more than 1/4 inch (6 mm). Make successive passes to achieve desired depth. Apply a

light forward pressure. Do not overload motor. Disconnect plug from power source and clean dust from air vents frequently. Metal cutting is done at full depth.

⚠ WARNING Clean guards frequently to assure a rapid return of lower guard. The lower guard may become sluggish when cutting masonry materials.**⚠ WARNING** Abrasive Cut Off Wheels must have a maximum safe operating speed greater than the "no load RPM" marked on the tool's nameplate. Wheels running over the rated speed can fly apart and cause injury.**⚠ WARNING** Do not use the abrasive cut off wheel near flammable materials. Sparks from the wheel could ignite these materials.**⚠ WARNING** This machine is not intended to be used with Wet Diamond Wheels. Using water or other liquid coolants with this machine may result in electrocution or shock. Use of Dry Diamond Wheels is acceptable.**POCKET CUTS**

Disconnect the plug from the power source before making adjustments. Set depth adjustment according to material to be cut. Tilt saw forward with cutting guide notch lined up with the line you've drawn. Raise the lower guard, using lift lever and hold the saw by the front and rear handles (Fig. 7).

With the blade just clearing the material to be cut, start the motor. Gradually lower the back end of saw using the front end of the foot as the hinge point.

FIG. 7**⚠ WARNING** As blade starts cutting the material, release the lower guard immediately. When the foot rests flat on the surface being cut, proceed cutting in forward direction to end of cut.

⚠ WARNING Allow blade to come to a complete stop before lifting the saw from cut. Also, never pull the saw backward since blade will climb out of the material and KICKBACK will occur.

Turn saw around and finish the cut in the normal manner, sawing forward. If corners of your pocket cut are not completely cut through, use a jigsaw or hand saw to finish the corners.

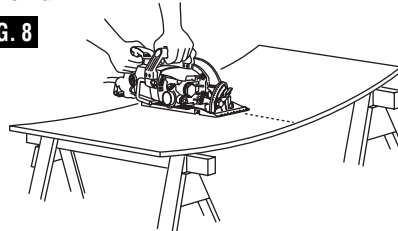
CUTTING LARGE SHEETS

Large sheets and long boards sag or bend, depending on support. If you attempt to cut without leveling and properly supporting the piece, the blade will tend to bind, causing KICKBACK and extra load on the motor (Fig. 8).

Support the panel or board close to the cut, as shown in (Fig. 9). Be sure to set the depth of the cut so that you cut through the sheet or board only and not the table or work bench. The two-by-fours used to raise and support the work should be positioned so that the broadest sides support the work and rest on the table or bench. Do not support the work with the narrow sides as this is an unsteady arrangement. If the sheet or board to be cut is too large for a table or work bench, use the supporting two-by-fours on the floor and secure.

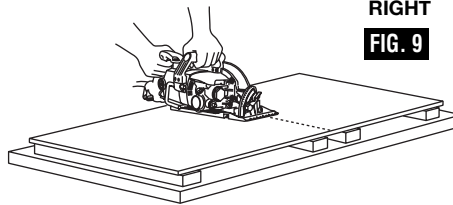
WRONG

FIG. 8



RIGHT

FIG. 9



RIP CUTS

The combination blade provided with your saw is for both cross cuts and rip cuts. Ripping is cutting lengthwise with the grain of the wood. Rip cuts are easy to do with a rip fence (Fig. 10). Rip Fence is available as an accessory (not included). To attach fence, insert fence through slots in foot to desired width as shown and secure with the wing nut (not included).

RIP BOARD GUIDE

When rip cutting large sheets, the rip fence may not allow the desired width of cut. Clamp or nail a straight piece of 1" (25 mm) lumber to the sheet as a guide (Fig. 11). Use the right side of the foot against the board guide.

FIG. 10

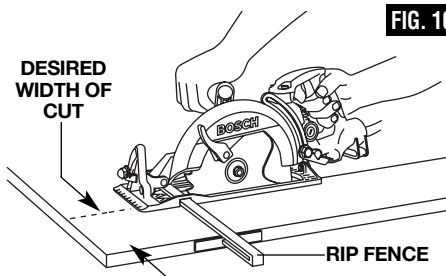
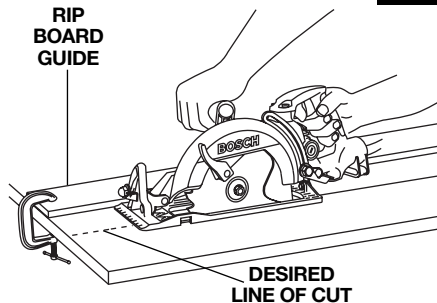


FIG. 11



Maintenance

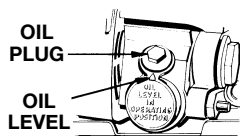
Service

⚠ WARNING Preventive maintenance performed by unauthorized personnel may result in misplacing of internal wires and components which could cause serious hazard. We recommend that all tool service be performed by a Bosch Factory Service Center or Authorized Bosch Service Station.

TOOL LUBRICATION

Your Bosch tool has been properly lubricated and is ready to use. However it is recommended that the gears be relubricated only with Bosch lubricant: WD7LUB or Skil 80111.

Always check the oil level before using the saw. To check and add oil: Remove plug from power source and place the saw's foot on a horizontal surface. Remove oil plug using the same wrench used to remove the saw blade. The oil level should never be below bottom threads in the housing. When adding oil, fill until oil starts to run out of oil hole at arrow on housing and replace oil plug.



NOTE: If oil is extra dirty or thick, replace the plug and run the saw for one minute to warm up the oil. Then remove oil plug and turn saw upside down, to remove all oil. Fill housing with kerosene. Replace plug and run for one minute to flush out the gear housing. Drain out the kerosene and add fresh Bosch lubricant. With a new saw, change the oil after the first ten hours of use.

CARBON BRUSHES

The brushes and commutator in your tool have been engineered for many hours of dependable service. To maintain peak efficiency of the motor, we recommend every two to six months the brushes be examined. The brushes should be free from dust and dirt. Brushes should be replaced when they have worn down to 3/16" in length. The brushes should slide freely in and out of the holders without sticking.

To check brushes: Disconnect plug from power source. Unscrew the brush caps on the motor housing and lift out the brushes; note

which way they face, so that the brushes can be returned to their original position. Clean the brush holder openings with compressed air or a clean cloth and replace the brushes and caps.

Only genuine Bosch replacement brushes specially designed for your tool should be used.

BEARINGS

After about 300-400 hours of operation, or at every second brush change, the bearings should be replaced at Bosch Factory Service Center or Authorized Bosch Service Station. Bearings which become noisy (due to heavy load or very abrasive material cutting) should be replaced at once to avoid overheating or motor failure.

Cleaning

⚠ WARNING To avoid accidents always disconnect the tool from the power supply before cleaning or performing any maintenance. The tool may be cleaned most effectively with compressed dry air. **Always wear safety goggles when cleaning tools with compressed air.**

Ventilation openings and switch levers must be kept clean and free of foreign matter. Do not attempt to clean by inserting pointed objects through openings.

⚠ CAUTION Certain cleaning agents and solvents damage plastic parts. Some of these are: gasoline, carbon tetrachloride, chlorinated cleaning solvents, ammonia and household detergents that contain ammonia.

CARE OF BLADES

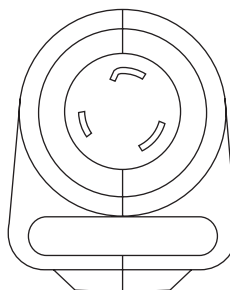
Blades become dull even from cutting regular lumber. If you find yourself forcing the saw forward to cut instead of just guiding it through the cut, chances are the blade is dull or coated with wood pitch.

When cleaning gum and wood pitch from blade, unplug the saw and remove the blade. Remember, blades are designed to cut, so handle carefully. Wipe the blade with kerosene or similar solvent to remove the gum and pitch. Unless you are experienced in sharpening blades, we recommend you do not try.

TWIST-TO-LOCK CONNECTOR INSTRUCTIONS FOR MODEL 1677MDT ONLY 20 AMP, 125 VOLT "TWIST-TO-LOCK"

The Model 1677MDT is equipped with a "Twist-To-Lock" male connector as shown. Use only a 3-wire extension cord which has a mating "Twist-To-Lock" female connector on one end and a 3-prong grounding plug on the other end. (See Electrical Safety section on page 2 for grounding information.)

NEMA L5-20P



Accessories

⚠ WARNING If an extension cord is necessary, a cord with adequate size conductors that is capable of carrying the current necessary for your tool must be used. This will prevent excessive voltage drop, loss of power or overheating. Grounded tools must use 3-wire extension cords that have 3-prong plugs and receptacles.

NOTE: The smaller the gauge number, the heavier the cord.

**RECOMMENDED SIZES OF EXTENSION CORDS
120 VOLT ALTERNATING CURRENT TOOLS**

Tool's Ampere Rating	Cord Size in A.W.G.				Wire Sizes in mm ²			
	Cord Length in Feet				Cord Length in Meters			
	25	50	100	150	15	30	60	120
3-6	18	16	16	14	0.75	0.75	1.5	2.5
6-8	18	16	14	12	0.75	1.0	2.5	4.0
8-10	18	16	14	12	0.75	1.0	2.5	4.0
10-12	16	16	14	12	1.0	2.5	4.0	—
12-16	14	12	—	—	—	—	—	—

- * Blade
- * Wrench
- ** Rip Fence

(* = standard equipment)
(** = optional accessories)

Règles de Sécurité Générales

⚠ AVERTISSEMENT

Vous devez lire et comprendre toutes les instructions. Le non-respect, même partiel, des instructions ci-après entraîne un risque de choc électrique, d'incendie et/ou de blessures graves.

CONSERVEZ CES INSTRUCTIONS

Aire de travail

Veillez à ce que l'aire de travail soit propre et bien éclairée. Le désordre et le manque de lumière favorisent les accidents.

N'utilisez pas d'outils électriques dans une atmosphère explosive, par exemple en présence de liquides, de gaz ou de poussières inflammables. Les outils électriques créent des étincelles qui pourraient enflammer les poussières ou les vapeurs.

Tenez à distance les curieux, les enfants et les visiteurs pendant que vous travaillez avec un outil électrique. Ils pourraient vous distraire et vous faire faire une fausse manœuvre.

Sécurité électrique

Les outils avec mise à la terre doivent être branchés sur une prise installée correctement et reliée à la terre conformément à toutes les normes et décrets. N'enlevez jamais la fiche de terre et ne modifiez jamais la prise. N'utilisez jamais d'adaptateur de prise. Si vous n'êtes pas sûr que votre prise est correctement reliée à la terre, consultez un électricien. Si l'outil présente une avarie électrique ou tombe en panne, le circuit de terre sert de chemin à faible résistance pour conduire le courant et l'empêcher de passer à travers l'utilisateur. Un outil incorrectement relié à la terre risque de causer un choc électrique, des brûlures ou une électrocution. Les outils avec mise à la terre sont munis d'un cordon à trois fils et d'une prise à trois fiches. *Avant de brancher l'outil, assurez-vous que la tension de la prise correspond, à celle indiquée sur la plaque signalétique. N'utilisez pas d'outils prévus pour courant alternatif seulement avec une source de courant continu.*

Évitez tout contact corporel avec des surfaces mises à la terre (tuyauterie, radiateurs, cuisinières, réfrigérateurs, etc.). Le risque de choc électrique est plus grand si votre corps est en contact avec la terre. Si l'utilisation de l'outil électrique dans un endroit humide est inévitable, un disjoncteur de fuite à la terre doit être utilisé pour alimenter votre outil. Des chaussures et des gants en caoutchouc d'électricien contribueront à accroître davantage votre sécurité personnelle.

N'exposez pas les outils électriques à la pluie ou à l'eau. La présence d'eau dans un outil électrique augmente le risque de choc électrique.

Ne maltraitez pas le cordon. Ne transportez pas l'outil par son cordon et ne débranchez pas la fiche en tirant

sur le cordon. N'exposez pas le cordon à la chaleur, à des huiles, à des arêtes vives ou à des pièces en mouvement. Remplacez immédiatement un cordon endommagé. Un cordon endommagé augmente le risque de choc électrique.

Lorsque vous utilisez un outil électrique à l'extérieur, employez un prolongateur pour l'extérieur marqué « W-A » ou « W ». Ces cordons sont faits pour être utilisés à l'extérieur et réduisent le risque de choc électrique. Reportez-vous aux « Dimensions recommandées des cordons de rallonge » dans la section Accessoires de ce manuel.

Sécurité des personnes

Restez alerte, concentrez-vous sur votre travail et faites preuve de jugement. N'utilisez pas un outil électrique si vous êtes fatigué ou sous l'influence de drogues, d'alcool ou de médicaments. Un instant d'inattention suffit pour entraîner des blessures graves.

Habillez-vous convenablement. Ne portez ni vêtements flottants ni bijoux. Confinez les cheveux longs. N'approchez jamais les cheveux, les vêtements ou les gants des pièces en mouvement. Des vêtements flottants, des bijoux ou des cheveux longs risquent d'être happés par des pièces en mouvement. Gardez les poignées sèches, propres et exemptes d'huile et de graisse.

Méfiez-vous d'un démarrage accidentel. Avant de brancher l'outil, assurez-vous que son interrupteur est sur ARRÊT. Le fait de transporter un outil avec le doigt sur la détente ou de brancher un outil dont l'interrupteur est en position MARCHE peut mener tout droit à un accident.

Enlevez les clés de réglage ou de serrage avant de démarrer l'outil. Une clé laissée dans une pièce tournante de l'outil peut provoquer des blessures.

Ne vous penchez pas trop en avant. Maintenez un bon appui et restez en équilibre en tout temps. Une bonne stabilité vous permet de mieux réagir à une situation inattendue.

Utilisez des accessoires de sécurité. Portez toujours des lunettes ou une visière. Selon les conditions, portez aussi un masque antipoussière, des bottes de sécurité antidérapantes, un casque protecteur et/ou un appareil antibruit.

Utilisation et entretien des outils

Immobilisez le matériau sur une surface stable au moyen de brides ou de toute autre façon adéquate. Le fait de tenir la pièce avec la main ou contre votre corps offre une stabilité insuffisante et peut amener un dérapage de l'outil.

Ne forcez pas l'outil. Utilisez l'outil approprié à la tâche. L'outil correct fonctionne mieux et de façon plus sécuritaire. Respectez aussi la vitesse de travail qui lui est propre.

N'utilisez pas un outil si son interrupteur est bloqué. Un outil que vous ne pouvez pas commander par son interrupteur est dangereux et doit être réparé.

Débranchez la fiche de l'outil avant d'effectuer un réglage, de changer d'accessoire ou de ranger l'outil. De telles mesures préventives de sécurité réduisent le risque de démarrage accidentel de l'outil.

Rangez les outils hors de la portée des enfants et d'autres personnes inexpérimentées. Les outils sont dangereux dans les mains d'utilisateurs novices.

Prenez soin de bien entretenir les outils. Les outils de coupe doivent être toujours bien affûtés et propres. Des outils bien entretenus, dont les arêtes sont bien tranchantes, sont moins susceptibles de coincer et plus faciles à diriger. Toute altération ou modification constitue un usage erroné et peut causer un danger.

Soyez attentif à tout désalignement ou coincement des pièces en mouvement, à tout bris ou à toute autre condition préjudiciable au bon fonctionnement de l'outil. Si vous constatez qu'un outil est endommagé, faites-le réparer avant de vous en servir. De nombreux accidents sont causés par des outils en mauvais état. Élaborez un calendrier d'entretien périodique de votre outil.

N'utilisez que des accessoires que le fabricant recommande pour votre modèle d'outil. Certains accessoires peuvent convenir à un outil, mais être dangereux avec un autre.

Réparation

La réparation des outils électriques doit être confiée à un réparateur qualifié. L'entretien ou la réparation d'un outil électrique par un amateur peut avoir des conséquences graves. Ainsi, des fils internes peuvent être mal placés ou pincés, des ressorts de rappel de protecteur peuvent être montés erronément.

Pour la réparation d'un outil, n'employez que des pièces de rechange d'origine. Suivez les directives données à la section « Réparation » de ce manuel. L'emploi de pièces non autorisées ou le non-respect des instructions d'entretien peut créer un risque de choc électrique ou de blessures. Certains agents nettoyants tels qu'essence, tétrachlorure de carbone, ammoniac, etc., peuvent abîmer les pièces en plastique.

Consignes de sécurité pour scies circulaires

⚠ DANGER Tenez les mains à l'écart de l'aire de coupe et de la lame. Gardez votre deuxième main sur la poignée auxiliaire ou le carter du moteur. Si les deux mains tiennent la scie, elles ne peuvent être coupées par la lame. *Tenez la scie fermement pour prévenir une perte de contrôle. Les figures de ce manuel illustrent le support manuel typique de la scie. Ne JAMAIS placez votre main derrière la lame de la scie car le rebond pourrait faire sauter la scie vers l'arrière par-dessus votre main.*

Gardez votre corps positionné d'un côté ou de l'autre de la lame de scie, mais non dans le prolongement de la lame de scie. Le REBOND pourrait faire sauter la scie vers l'arrière. (Voir « Causes et prévention, par l'opérateur, du rebond »).

N'introduisez pas la main sous l'ouvrage. Le garde ne peut vous protéger de la lame sous l'ouvrage. *Ne tentez pas d'enlever des matériaux coupés lorsque la lame est en mouvement.*

Vérifiez le garde inférieur pour vous assurer qu'il ferme adéquatement avant chaque usage. N'utilisez

pas la scie si le garde inférieur ne bouge pas librement et ne ferme pas instantanément. Ne pincez ou ne fixez jamais le garde inférieur en position ouverte. Si la scie tombe par mégarde, le garde inférieur peut être plié. Levez le garde inférieur uniquement à l'aide de la levier de levage du garde inférieur, et assurez-vous qu'il bouge librement et ne vient pas en contact avec la lame ou aucune autre pièce, sous tous les angles et profondeurs de coupe.

Vérifiez le fonctionnement du ressort du rappel du garde inférieur. Si le garde et le ressort ne fonctionnent pas adéquatement, ils doivent être réparés avant usage. Le garde inférieur peut fonctionner paresseusement en raison de pièces abîmées, de dépôts gommeux ou d'une accumulation de débris. *Débranchez la fiche de la prise de courant. À intervalles périodiques, déposez la lame, nettoyez les gardes supérieur et inférieur et la région du moyeu à l'aide de kérosène et essuyez pour sécher, ou nettoyez en soufflant de l'air comprimé.*

Le garde inférieur doit être rétracté manuellement uniquement pour des coupes spéciales telles que les « coupes en poche » et les « coupes combinées ». Levez le garde inférieur à l'aide de la levier de levage du garde inférieur. Le garde inférieur doit être relâché dès que la lame pénètre dans l'ouvrage. Pour toutes les autres opérations de sciage, le garde inférieur doit fonctionner automatiquement.

Assurez-vous toujours que le garde inférieur couvre la lame avant de déposer la scie sur l'établi ou le plancher. Une lame non protégée, qui continue à marcher par inertie, fera reculer la scie, coupant ainsi tout ce qui est sur son chemin. Sachez le temps qu'il faut pour que la lame s'arrête après relâchement de l'interrupteur.

Ne tenez JAMAIS la pièce à couper dans vos mains ou sur vos jambes. Il importe de supporter l'ouvrage adéquatement afin de minimiser l'exposition corporelle, le grippage de lame ou la perte de contrôle.

Tenez l'outil par les surfaces isolées de préhension en effectuant une opération au cours de laquelle l'outil de coupe peut venir en contact avec des fils dissimulés ou son propre cordon. Le contact avec un fil sous tension rendra également les parties métalliques exposées de l'outil sous tension et causera des chocs à l'opérateur.

En refendant, utilisez toujours un guide de refente ou une règle. Ceci améliore l'exactitude de la coupe et réduit les possibilités de grippage de la lame.

Utilisez toujours des lames avec trous d'arbre de la dimension et de la forme appropriées (en diamant par rapport à ronds). Les lames qui ne se marient pas avec le système de montage de la scie ne tourneront pas rond. Il en résultera une perte de contrôle et un mauvais fonctionnement du vari-torque.

N'utilisez jamais des rondelles ou boulons de lame abîmés ou incorrects. Les rondelles et les boulons de lame ont été conçus spécialement pour votre scie, pour une performance optimale et pour un fonctionnement des plus sûrs. Les rondelles de lame et le boulon sur votre scie ont été conçus de manière à travailler comme « EMBRAYAGE À COUPLE VARIABLE ». Comprenez le fonctionnement et les réglages de l'EMBRAYAGE À COUPLE VARIABLE car le réglage approprié de l'EMBRAYAGE, combiné au maniement ferme de la scie, vous permettra de contrôler le REBOND.

Ne faites pas fonctionner la scie tout en la portant à votre côté. Le garde inférieur peut s'ouvrir au contact avec vos vêtements. Un contact accidentel avec la lame de scie en rotation pourrait provoquer des blessures graves.

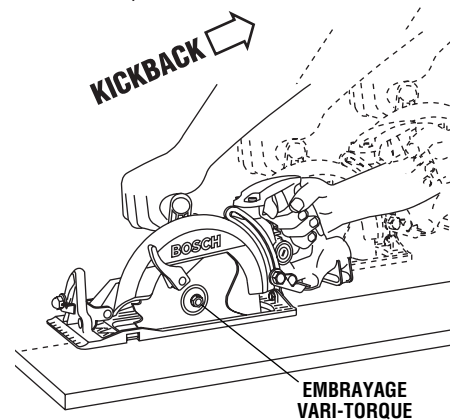
Suivant l'usage, l'interrupteur peut ne pas durer aussi longtemps que la scie. Si l'interrupteur fait défaut en position d'arrêt, la scie peut ne pas se mettre en marche. S'il devient défectueux pendant que la scie est en marche, la scie peut ne pas s'arrêter. Dans l'un

ou l'autre cas, débranchez la scie immédiatement et ne l'utilisez pas avant qu'elle ne soit réparée.

Cette scie circulaire ne doit pas être montée sur une table et convertie en scie de table. Les scies circulaires ne sont pas conçues ni destinées à être utilisées comme scies de table.

CAUSES ET PRÉVENTION, PAR L'OPÉRATEUR, DU REBOND :

Le rebond est une réaction soudaine à une lame de scie pincée, grippée ou mal alignée, amenant ainsi la scie non contrôlée à lever et ressortir de l'ouvrage en direction de l'opérateur.



Lorsque la lame est pincée ou grippée fermement par le trait de scie qui se referme, la lame bloque et la réaction du moteur ramène rapidement l'outil en direction de l'opérateur.

Si la lame devient tordue ou mal alignée dans la coupe, les dents du bord arrière de la lame peuvent s'enfoncer dans la surface supérieure du bois, amenant ainsi la lame à sortir du trait de scie et à revenir vers l'opérateur.

Le rebond est le résultat d'une utilisation erronée de l'outil et/ou de méthodes ou de conditions de fonctionnement incorrectes, et on peut l'éviter en prenant les précautions appropriées, comme indiqué ci-après :

Maintenez une prise ferme avec les deux mains sur la scie et positionnez votre corps et votre bras de manière à résister aux forces de REBOND. L'opérateur peut contrôler les forces de rebond si les précautions appropriées sont prises.

Lorsque la lame grippe ou lorsqu'une coupe est interrompue pour quelque motif que ce soit, relâchez la gâchette et tenez la scie sans bouger dans l'ouvrage jusqu'à ce que la lame s'arrête complètement. Ne tenez jamais de retirer la scie de l'ouvrage ou de tirer la scie vers l'arrière pendant que la lame est en mouvement, ce qui pourrait provoquer un REBOND. Recherchez la cause du grippage de lame

et prenez les mesures nécessaires pour le corriger. Le bois mouillé, le bois vert ou le bois traité par pression nécessitent une attention spéciale durant la coupe pour prévenir le REBOND. Évitez de couper les clous. Recherchez et enlevez tous les clous du bois avant de couper.

Lorsque vous remettez une scie en marche dans un ouvrage, centrez la lame de scie dans le trait de scie et assurez-vous que les dents de scie ne sont pas engagées dans l'ouvrage. Si la lame de scie grippe, elle peut remonter ou REBONDIR depuis l'ouvrage lorsque la scie est remise en marche.

Supportez les gros panneaux pour minimiser le risque de pincement de lame et de REBOND. Les gros panneaux ont tendance à s'affaisser sous leur propre poids. Des supports doivent être placés sous le panneau des deux côtés, près de la ligne de coupe et près du bord du panneau. Voir « Coupe de gros panneaux » dans ce manuel.

N'utilisez pas une lame émoussée ou abîmée. Les lames non affûtées ou réglées de façon inappropriée produisent un trait de scie étroit, ce qui cause une friction excessive, un grippage de lame et un REBOND.

Les boutons de blocage de réglage de biseau et de profondeur de lame doivent être serrés et fermes avant de pratiquer la coupe. Un déplacement du réglage de lame durant la coupe peut causer un grippage et un REBOND. L'utilisation de la scie avec un réglage excessif de profondeur de coupe accroît la

charge sur l'outil et la sensibilité à la torsion de la lame dans le trait de scie. Elle accroît également la surface de lame disponible pour pincement dans des conditions de fermeture du trait de scie.

Redoubler de prudence en pratiquant une « coupe de poche » dans des murs existants ou autres parties aveugles. La lame faisant saillie peut couper des objets qui peuvent causer un REBOND.

⚠ AVERTISSEMENT Les travaux à la machine tel que ponçage, sciage, meulage, perçage et autres travaux du bâtiment peuvent créer des poussières contenant des produits chimiques qui sont des causes reconnues de cancer, de malformation congénitale ou d'autres problèmes reproductifs. Ces produits chimiques sont, par exemple :

- Le plomb provenant des peintures à base de plomb,
- Les cristaux de silices provenant des briques et du ciment et d'autres produits de maçonnerie, et
- L'arsenic et le chrome provenant des bois traités chimiquement.

Le niveau de risque dû à cette exposition varie avec la fréquence de ces types de travaux. Pour réduire l'exposition à ces produits chimiques, il faut travailler dans un lieu bien ventilé et porter un équipement de sécurité approprié tel que certains masques à poussière conçus spécialement pour filtrer les particules microscopiques.

Symboles

IMPORTANT : Certains des symboles suivants peuvent être utilisés sur votre outil. Veuillez les étudier et apprendre leur signification. Une interprétation appropriée de ces symboles vous permettra d'utiliser l'outil de façon plus efficace et plus sûre.

Symbole	Nom	Désignation/Explication
V	Volts	Tension (potentielle)
A	Ampères	Courant
Hz	Hertz	Fréquence (cycles par seconde)
W	Watt	Puissance
kg	Kilogrammes	Poids
min	Minutes	Temps
s	Secondes	Temps
∅	Diamètre	Taille des mèches de perceuse, meules, etc.
n_0	Vitesse à vide	Vitesse de rotation, à vide
.../min	Tours ou mouvement alternatif par minute	Tours, coups, vitesse en surface, orbites, etc., par minute
0	Position d'arrêt	Vitesse zéro, couple zéro ...
1, 2, 3, ... I, II, III, ...	Réglages du sélecteur	Réglages de vitesse, de couple ou de position. Un nombre plus élevé signifie une vitesse plus grande.
	Sélecteur variable à l'infini avec arrêt	La vitesse augmente depuis le réglage 0
	Flèche	Action dans la direction de la flèche
	Courant alternatif	Type ou caractéristique du courant
	Courant continu	Type ou caractéristique du courant
	Courant alternatif ou continu	Type ou caractéristique du courant
	Construction classe II isolation	Désigne des outils construits avec double
	Borne de terre	Borne de mise à la terre
	Symbole d'avertissement	Alerte l'utilisateur aux messages d'avertissement.
	Sceau Ni-Cad RBRC™	Désigne le programme de recyclage des piles Ni-Cad.



Ce symbole signifie que cet outil est approuvé par Underwriters Laboratories.



Ce symbole signifie que cet outil est approuvé conformément aux normes canadiennes par Underwriters Laboratories.



Ce symbole signifie que cet outil se conforme aux normes mexicaines NOM.



Ce symbole signifie que cet outil est approuvé par l'Association canadienne de normalisation.



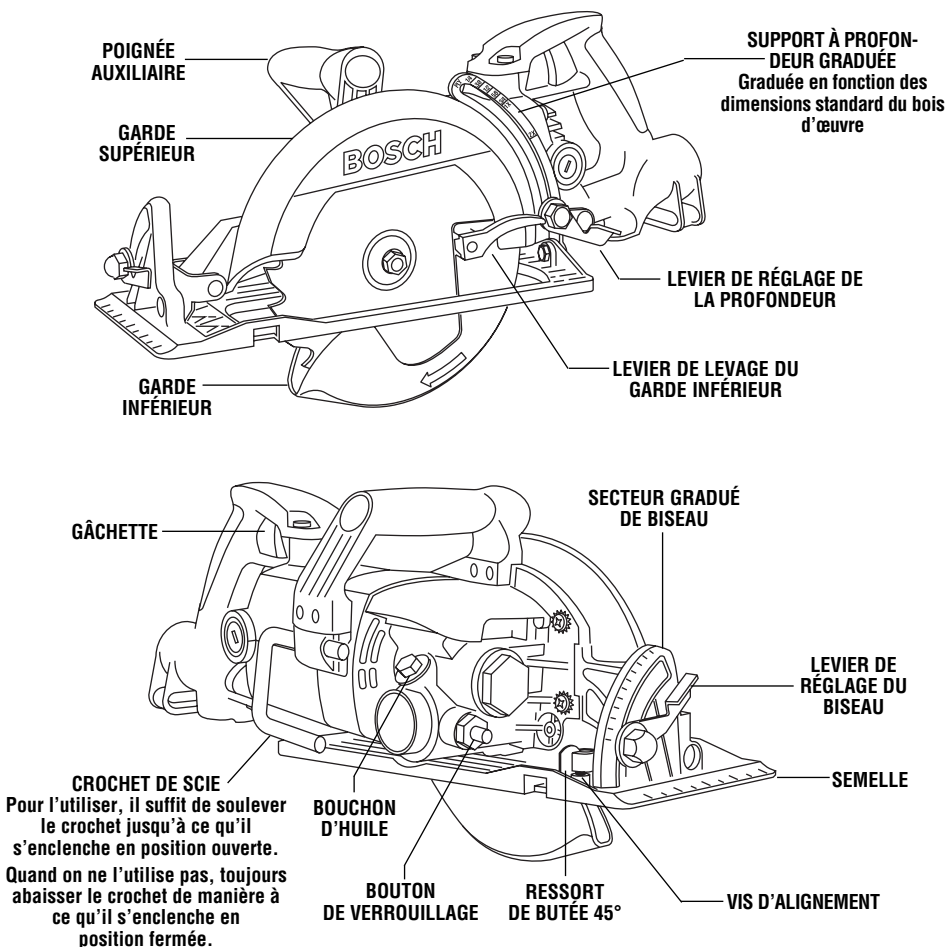
Ce symbole signifie que cet outil est approuvé par Underwriters Laboratories et qu'il a été homologué selon les normes canadiennes par Underwriters Laboratories.

Description fonctionnelle et spécifications

⚠ AVERTISSEMENT Débranchez la fiche de la prise de courant avant d'effectuer quelque assemblage ou réglage que ce soit ou de changer les accessoires. Ces mesures de sécurité préventive réduisent le risque d'une mise en marche accidentelle de l'outil.

Scie circulaire

FIG. 1



Lame
Moyeu de lame

184 mmz
Diamant

Capacités maximales

Profondeur de coupe à 90°	60 mm
Profondeur de coupe à 45°	49 mm
Profondeur de coupe à 50°	46 mm

REMARQUE : Pour spécifications de l'outil, reportez-vous à la plaque signalétique de votre outil.

Assemblage

MONTAGE DE LA LAME

AVERTISSEMENT Débranchez la fiche de la prise de courant avant d'effectuer quelque assemblage ou réglage que ce soit ou de changer les accessoires. Ces mesures de sécurité préventive réduisent le risque d'une mise en marche accidentelle de l'outil.

1. Appuyez sur le bouton de verrouillage et tournez la clé jusqu'à enclenchement du dispositif de verrouillage, ce qui a pour effet d'immobiliser l'arbre de la scie. Tout en maintenant le bouton enfoncé, tournez la clé dans le sens des aiguilles d'une montre et enlevez le GOUJON DE LA LAME et la RONDELLE EXTÉRIEURE (fig. 2).
2. Faites remonter le garde inférieur de la lame en le laissant coulisser totalement à l'intérieur du capot. Profitez-en pour vérifier l'état et le fonctionnement du RESSORT DU GARDE INFÉRIEUR.
3. Assurez-vous que les dents de la scie et la flèche sur la lame sont dirigées dans le même sens que la flèche figurant sur le garde inférieur de la lame.
4. Glissez la lame dans la fente de la semelle et placez-la contre la RONDELLE INTÉRIEURE de l'arbre. Assurez-vous que le plus grand côté des rondelles INTÉRIEURE et EXTÉRIEURE appuie carrément sur la lame.

5. Reposez la RONDELLE EXTÉRIEURE. Vissez d'abord le GOUJON DE LA LAME à la main, puis SERREZ-LE DE 1/8 DE TOUR (45°) AU MOYEN DE LA CLÉ LIVRÉE AVEC LA SCIE.

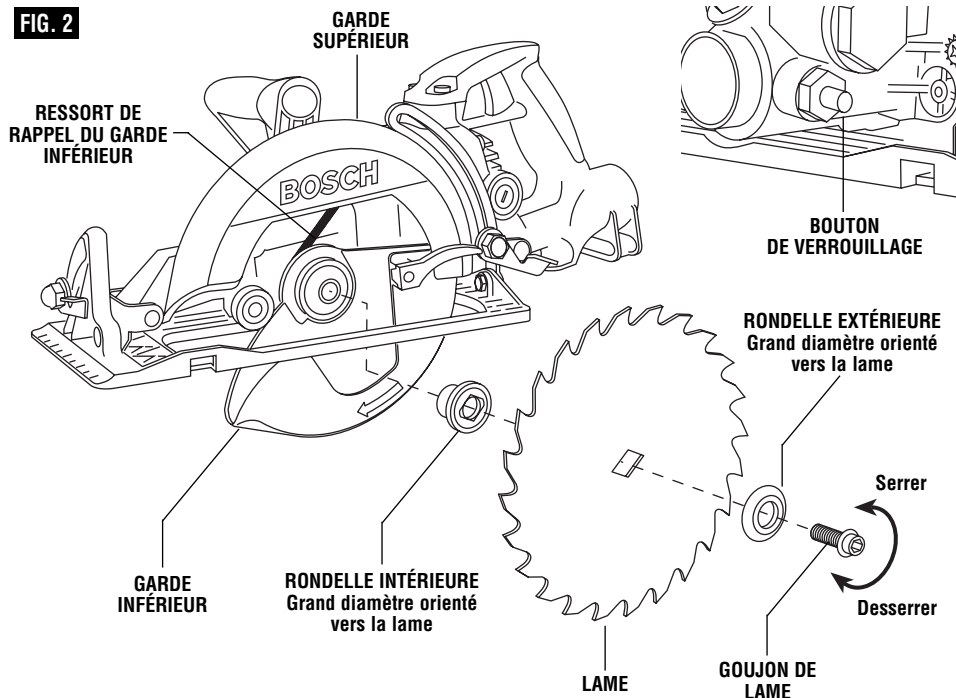
N'utilisez pas de clés plus longues car vous risqueriez de trop serrer le goujon.

EMBRAYAGE « VARI-TORQUE »

L'embrayage est assuré par la friction de la RONDELLE EXTÉRIEURE sur la LAME et il permet à l'arbre de continuer à tourner si la lame éprouve une résistance excessive. Si le GOUJON DE LA LAME est correctement serré (tel qu'il est expliqué à l'étape 5 du chapitre intitulé Montage de la lame), la lame glissera sur son arbre quand elle éprouve une résistance excessive, ce qui réduit le risque de REBOND.

Il est possible qu'un seul et même réglage ne convienne pas à tous les matériaux. En cas de glissement exagéré de la lame, resserrez-en légèrement le goujon (moins de 1/8 de tour). LE SERRAGE EXCESSIF DU GOUJON DE LA LAME REND LE DISPOSITIF DE DÉBRAYAGE ABSOLUMENT INUTILE.

FIG. 2



Installation du cordon d'alimentation

AVERTISSEMENT

LE SYSTÈME DE RACCORD DIRECT DU CORDON A ÉTÉ CONFIGURÉ POUR ACCEPTER UN CORDON SJ DE 12AWG, AVEC UNE LONGUEUR MAXIMALE DE 15,25 M (50 PI). VÉRIFIEZ LE CORDON, NE L'UTILISEZ PAS S'IL EST ENDOMMAGÉ.

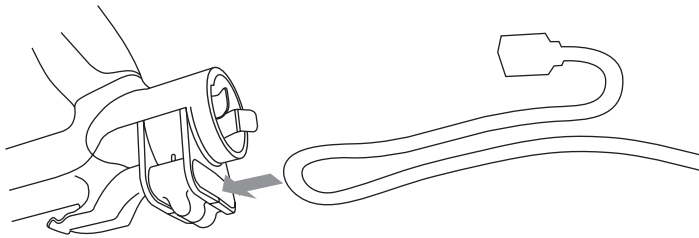
1. Formez une boucle avec le cordon de la façon indiquée sur la figure A.
2. Insérez l'extrémité bouclée du cordon à travers la fente pratiquée dans la poignée et accrochez-la sur le montant de la poignée réservé à cet effet, de la façon indiquée sur la figure B.

ATTENTION : Avant d'insérer la fiche dans la poignée, veillez toujours à laisser une longueur suffisante de cordon à l'extrémité où se trouve la fiche, pour éviter que cette dernière ne soit soumise à de la tension lorsqu'elle est insérée dans l'outil.

3. Enfoncez l'extrémité de la fiche dans l'étrier de ressort et dans la prise femelle de la poignée comme indiqué ci-dessous.
4. Pour retirer la fiche de l'outil, il suffit de la retirer de la prise et de l'extraire de l'étrier de ressort.

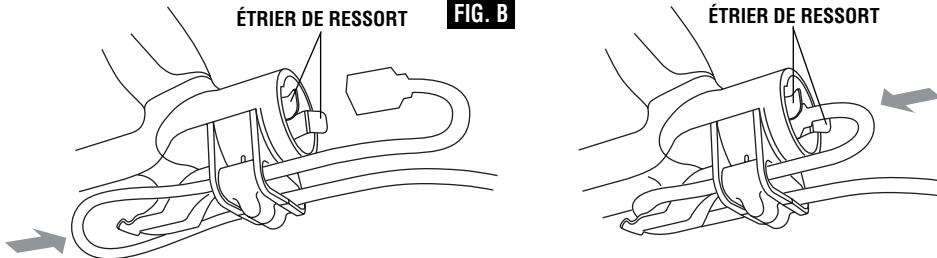
REMARQUE : Si l'étrier de ressort ne fixe pas la fiche correctement, il peut être nécessaire de légèrement serrer l'étrier avec une pince.

FIG. A



ÉTRIER DE RESSORT

FIG. B



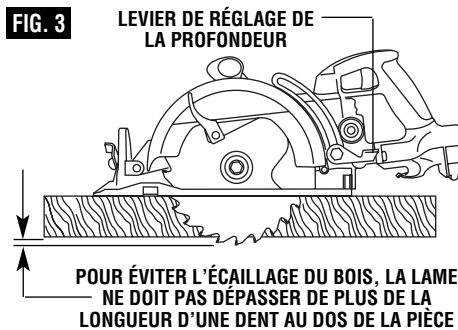
ÉTRIER DE RESSORT

Consignes de fonctionnement

RÉGLAGE DE LA PROFONDEUR DE COUPE

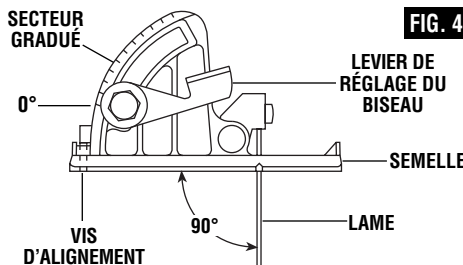
Débranchez la fiche de la prise de courant. Desserrez le levier de réglage de la profondeur qui se trouve entre le capot et la poignée de la scie. Maintenez la semelle en place d'une main et levez ou baissez la scie par la poignée de l'autre main. Serrez le levier à la profondeur de coupe désirée. Vérifiez si la profondeur est bien celle que vous désirez (fig. 3).

Pour réduire le risque d'écaillage des bords de la pièce à couper, la lame ne devrait pas dépasser de plus de la longueur d'une dent au dos de la pièce (fig. 3).



VÉRIFICATION DE L'ANGLE DE COUPE 90°

Débranchez la fiche de la prise de courant. Réglez la semelle à la profondeur de coupe maximale. Desserrez le levier de réglage de la coupe en biseau, réglez-le à 0° sur le secteur ; resserrez le levier de réglage de la coupe en biseau d'abord, puis le levier de réglage de la profondeur ensuite et, à l'aide d'une équerre, vérifiez si la lame forme exactement un angle de 90° avec la surface plane du dessous de la semelle (fig. 4). Effectuez les réglages en tournant la petite vis d'alignement par le dessous de la semelle, si nécessaire (Fig. 4).

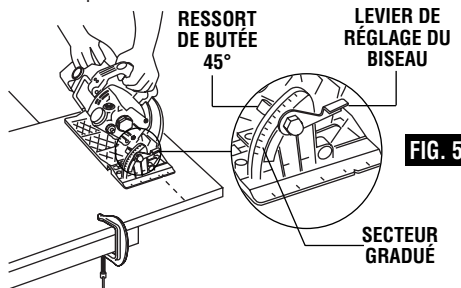


RÉGLAGE DE LA COUPE EN BISEAU

Débranchez la fiche de la prise de courant. La semelle peut être réglée jusqu'à 45° en desserrant le levier de réglage de biseau situé à l'avant de la scie et en positionnant la semelle à l'angle désiré selon les indications du secteur gradué. Pour maintenir le réglage, serrez toujours le levier de réglage de biseau avant de serrer le levier de réglage de la profondeur (Fig. 5).

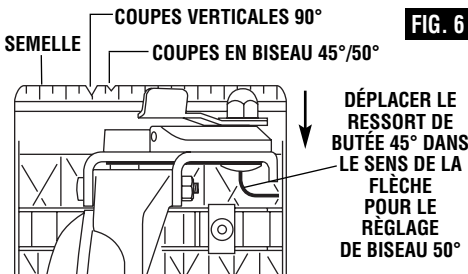
Pour les coupes à 50°, desserrez le levier de réglage de biseau, appuyez sur le ressort de la butée à 45°, positionnez la semelle à 50° et resserrez le levier (Fig. 5). Dans cette position, une grande partie de la lame est en contact avec la pièce et la stabilité de la semelle est

réduite, ce qui risque de causer un coincement. Tenez solidement la scie et maintenez fermement la semelle contre la pièce.



GUIDE D'ALIGNEMENT

Dans le cas d'une coupe droite à 90°, guidez-vous sur la grande encoche pratiquée dans la semelle. Pour les coupes en biseau de 45°, guidez-vous plutôt sur la petite (fig. 6). L'encoche-guide vous procurera une ligne de coupe plus ou moins exacte. Faites une coupe d'essai dans une retaille pour en vérifier l'exactitude. Il est bon de prendre une telle mesure en raison du vaste assortiment de lames de toutes épaisseurs sur le marché. Pour éviter autant que possible d'abîmer le bon côté du matériau à couper, il est recommandé de tourner ce côté vers le bas.



INTERRUPTEUR

AVERTISSEMENT À la mise en marche, tenez l'outil à deux mains. Le couple du moteur risque de le renverser.

Appuyez sur la gâchette pour mettre l'outil en marche ; relâchez-la pour l'arrêter. La gâchette retourne automatiquement à la position d'arrêt.

La scie devrait tourner à plein régime AVANT de commencer à scier et elle ne devrait être arrêtée qu'APRÈS avoir terminé la coupe. Pour prolonger la durée utile de l'interrupteur, évitez de mettre le moteur en marche et de l'arrêter en sciant.

COUPES RÉGULIÈRES

Tenez toujours la poignée de la scie d'une main et la poignée auxiliaire ou le logement de l'autre main.

AVERTISSEMENT Assurez-vous que vos mains ne gênent pas le mouvement de la garde inférieure.

Serrez-la fermement et actionnez l'interrupteur énergiquement. Ne forcez jamais la scie outre mesure. Exercez une pression modérée et soutenue.

AVERTISSEMENT Après avoir terminé une coupe et relâché la gâchette, souvenez-vous que la lame ralentit et qu'il lui faut un certain temps pour s'arrêter complètement. Évitez que la scie ne vienne frôler votre jambe ou votre côté car, étant donné qu'il est rétractible, le garde inférieur de la lame risquerait de s'agripper à vos vêtements et d'exposer la lame. Sachez qu'une partie de la lame est exposée en permanence à l'endroit où finissent le capot et le garde inférieur de la lame.

Pour recommencer à scier, suivant un arrêt, appuyez sur la gâchette et attendez que la lame ait atteint son régime maximal avant de rentrer lentement dans la pièce.

Lors de coupes en travers, les fibres du bois ont tendance à se déchiQUETER et à se soulever. Vous pouvez minimiser le problème en avançant lentement la scie. Pour réaliser une coupe nette, il est recommandé d'utiliser une lame pour coupe en travers ou à onglets.

SCIAGE DES MATÉRIAUX DE MAÇONNERIE ET DES MÉTAUX

Il n'est pas recommandé d'utiliser uniquement ou régulièrement cet outil pour la coupe des métaux ou des matériaux de maçonnerie à l'aide de disques abrasifs. Si vous employez votre scie pour couper ces matériaux, équipez-la du disque approprié.

Pour la coupe de matériaux de maçonnerie, ne dépassez pas une profondeur de plus de 6 mm (1/4"). Faites plusieurs passes successives pour atteindre la profondeur désirée. Avancez la scie en exerçant une pression modérée. Ne surchargez pas le moteur outre mesure. Débranchez le cordon d'alimentation de la prise de courant et chassez fréquemment la poussière des orifices d'aération. La coupe dans les métaux s'effectue à profondeur entière.

AVERTISSEMENT Nettoyez les capots fréquemment pour vous assurer que le capot inférieur revient rapidement en place. Il se peut que le capot inférieur revienne mollement lorsqu'on coupe des matériaux de maçonnerie.

AVERTISSEMENT Les meules de tronçonnage doivent avoir une vitesse sûre maximale de fonctionnement supérieure à la vitesse à vide marquée sur la plaque signalétique de l'outil. Les meules qui fonctionnent à une vitesse supérieure à la vitesse prévue peuvent voler en éclats et causer des blessures.

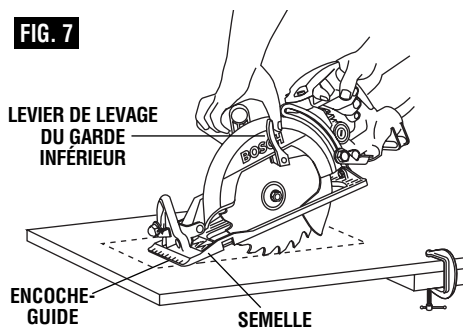
AVERTISSEMENT Ne pas utiliser la meule à tronçonner à proximité de matériaux inflammables. Les étincelles qu'elle produit risque de les enflammer.

AVERTISSEMENT Cette machine n'est pas destinée à être utilisée avec les meules à diamant par voie humide. L'utilisation d'eau ou d'autres agents liquides de refroidissement avec cette machine peut provoquer une électrocution ou des chocs. L'utilisation de meules à diamant par voie sèche est acceptable.

COUPES EN GUICHET

Débranchez la fiche de la prise de courant avant de procéder aux réglages. Réglez la lame à la profondeur correspondant à l'épaisseur du matériau à tailler. Inclinez la scie vers l'avant en alignant l'encoche-guide sur la ligne de coupe. Relevez le garde inférieur de la lame, au moyen du levier de levage, et tenez la scie par ses poignées avant et arrière (fig. 7).

La lame touchant presque à la pièce à tailler, mettez le moteur en marche. Abaissez graduellement l'arrière de la scie en utilisant l'extrémité avant de la semelle comme point d'appui.

FIG. 7

AVERTISSEMENT Aussitôt que la lame commence à trancher le matériau, relâchez le garde inférieur immédiatement. Dès que la semelle repose bien à plat sur la surface que vous coupez, continuez la coupe en poussant la scie vers l'avant jusqu'à la fin de la ligne.

⚠ AVERTISSEMENT Attendez l'arrêt complet de la lame avant de retirer la scie du trait que vous venez de tailler dans le matériau. De même, ne ramenez jamais la scie vers l'arrière, car la lame peut sortir du matériau risquant de provoquer un REBOND.

Soulevez la scie et tournez-la en sens opposé pour achever normalement la coupe dans l'autre sens. Si les coins de votre coupe en guichet ne sont pas complètement taillés, finissez-les à la scie sauteuse ou à l'égoïne.

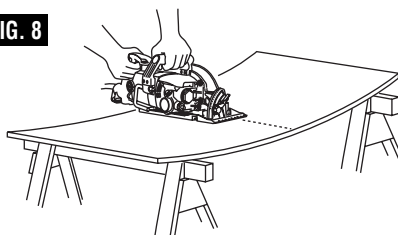
COUPE DE GRANDES FEUILLES

Les grandes feuilles et les longs panneaux fléchissent ou plient, selon la façon dont ils sont soutenus. Si vous essayez de les couper sans les avoir mise au niveau et soutenus par des supports au préalable, la lame aura tendance à gripper provoquant des REBONDS et la surcharge du moteur (fig. 8).

Placez le panneau ou la planche sur des supports situés à proximité de la ligne de coupe, comme l'indique la (fig. 9). Assurez-vous que la profondeur de coupe est réglée de manière à ce que la lame ne traverse que la feuille ou la planche à couper, sans faire d'entailles dans la table de travail ou l'établi. Les deux-par-quatre utilisés pour soulever et soutenir la pièce devraient reposer à plat entre celle-ci et la table ou l'établi. Ne placez jamais les deux-par-quatre sur leurs côtés plus étroits car cet arrangement manquerait de stabilité. Si la feuille ou le panneau est plus grand que la table ou l'établi, placez-le sur des deux-par-quatre sur le plancher et assujettissez-le.

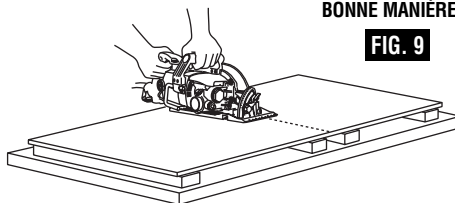
MAUVAISE MANIÈRE

FIG. 8



BONNE MANIÈRE

FIG. 9



COUPES DE REFENTE

La lame universelle fournie avec la scie convient tant pour les coupes en travers que pour les coupes de refente. La refente est la coupe en long, en sens du grain du bois. Les coupes de refente sont faciles à exécuter avec un guide de refente (fig. 10). Le guide de refente (non livré avec la scie) est disponible moyennant supplément de prix. Pour fixer le guide, insérez le guide à travers les fentes pratiquées dans la semelle jusqu'à la largeur désirée, comme illustré, et fixez à l'aide de l'écrou à oreilles (non livré avec la scie).

UTILISATION D'UNE PLANCHE COMME GUIDE DE REFENTE

Si vous devez exécuter une coupe de refente sur de grandes feuilles, il est possible que le guide de refente ne soit pas assez long pour permettre d'exécuter une coupe à la largeur désirée. Dans ce cas, une planche bien droite de 25 mm (1") d'épaisseur fixée à la feuille au moyen de serres ou de clous peut servir de guide (fig. 11). Faites glisser le côté droit de la semelle contre la planche.

FIG. 10

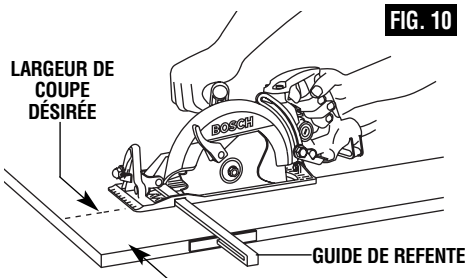
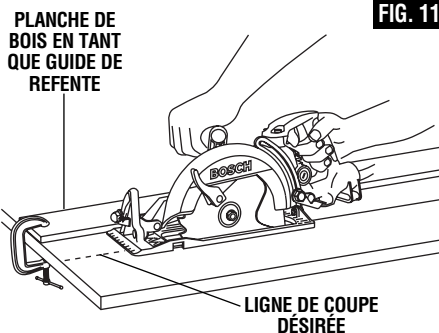


FIG. 11



Entretien

Service

⚠ AVERTISSEMENT L'entretien préventif effectué par des employés non autorisés peut entraîner un positionnement erroné des composants et des fils internes, et ainsi causer des dangers sévères. Il est recommandé que l'entretien et la réparation de nos outils soient confiés à un centre de service-usine Bosch ou à un centre de service après-vente Bosch agréé.

LUBRIFICATION DE L'OUTIL

Votre outil Bosch est adéquatement lubrifié et prêt à utiliser. Il est néanmoins conseillé de n'utiliser que du lubrifiant Bosch WD7LUB à Skil 80111 pour re-lubrifier les engrenages.

Vérifiez toujours le niveau d'huile : Débranchez la fiche de la prise de courant et posez la semelle de la scie sur une surface horizontale. Au moyen

de la clé servant à enlever la lame, desserrez le bouchon d'huile. Le niveau d'huile ne devrait jamais être plus bas que les filets inférieurs du carter. Quand vous faites l'appoint, versez de l'huile jusqu'à ce que le surplus commence à s'écouler de l'ouverture, vis-à-vis la flèche, et remettez le bouchon en place.

REMARQUE : Si l'huile est très souillée ou épaisse, remettez le bouchon en place et faites fonctionner la scie pendant une minute afin que l'huile se réchauffe. Enlevez le bouchon d'huile et tournez la scie à l'envers pour évacuer toute l'huile. Remplissez le carter de kérosène. Remettez le bouchon en place et faites fonctionner la scie pendant une minute pour en rincer le carter d'engrenages. Vidangez le kérosène et ajoutez de l'huile BOSCH fraîche. Dans le cas d'une scie neuve, vidangez l'huile après les premières dix heures d'utilisation.

BALAIS DE CHARBON

Les balais et le collecteur de votre outil ont été conçus pour donner plusieurs heures de fonctionnement sans aléas. Pour maintenir le moteur en forme, nous recommandons d'examiner les balais tous les deux à six mois. Les balais devraient être propres, sans poussière ni saleté. Il faudrait les remplacer dès qu'ils sont usés à 3/16". Les balais devraient entrer et sortir librement des porte-balais sans gripper.

Pour vérifier l'état des balais : Débranchez la fiche de la prise de courant. Dévissez les capuchons à la surface du carter pour pouvoir sortir les balais de leur logement ; notez dans quel sens ils sont orientés, de sorte à les

remettre dans leur position originelle. Nettoyez à l'air comprimé ou avec un linge propre les ouvertures des porte-balais et remettez les balais et capuchons en place.

Vous ne devriez utiliser que les balais de rechange authentiques Bosch spécialement conçus pour votre outil.

PALIER

Après environ 300 à 400 heures de fonctionnement ou tous les deux changements de balais, il est conseillé de faire remplacer les paliers par un centre de service d'usine Bosch ou une station service agréée Bosch. Si les paliers commencent à faire du bruit (à cause de surcharges importantes ou du toupillage de matériaux très abrasifs) il faut les faire remplacer immédiatement pour éviter la surchauffe ou une panne de moteur.

Nettoyage

⚠ AVERTISSEMENT Pour éviter le risque d'accidents, débranchez toujours l'outil de la prise de courant avant de procéder au nettoyage ou à l'entretien. Vous pouvez très bien le nettoyer à l'air comprimé. Dans ce cas, portez toujours des lunettes de sécurité.

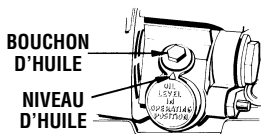
Gardez les prises d'air et les interrupteurs propres et libres de débris. N'essayez pas de les nettoyer en introduisant des objets pointus dans leurs ouvertures.

⚠ MISE EN GARDE Certains agents de nettoyages et certains dissolvants abîment les pièces en plastique. Parmi ceux-ci se trouvent: l'essence, le tétrachlorure de carbone, les dissolvants de nettoyage chlorés, l'ammoniaque ainsi que les détergents domestiques qui en contiennent.

ENTRETIEN DES LAMES

Les lames finissent par s'émousser, même à couper des pièces de bois régulières. Si vous constatez que vous devez forcer la scie à avancer plutôt que de la guider simplement vers la ligne de coupe, il est probable que la lame est émoussée ou souillée de résine.

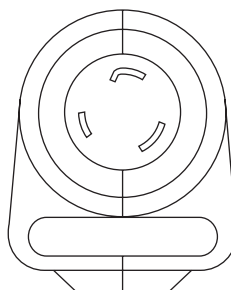
Quand vous devez enlever la gomme et la résine de la lame de votre scie, débranchez d'abord la scie avant d'enlever la lame. Souvenez-vous que les lames sont des objets tranchants et qu'elles doivent être manipulées avec soin. Essuyez la lame avec du kérosène ou un dissolvant similaire pour enlever l'accumulation de gomme et de résine. À moins que vous soyez parfaitement familier avec l'affûtage des lames, nous vous déconseillons de l'essayer.



**RACCORD « TWIST-TO-LOCK » POUR MODÈLE 1677MDT UNIQUEMENT
20 AMP., 125 VOLTS**

NEMA L5-20P

Le modèle 1677MDT, est équipé de la fiche « Twist-To-Lock » ci-contre. N'utilisez qu'une rallonge à trois fils munie d'un raccord femelle « Twist-To-Lock » correspondant à une extrémité et d'une fiche trois broches dont une avec prise de terre à l'autre extrémité. (Voir le paragraphe sur la Sécurité Électrique, page 14 pour information sur la mise à la terre.)



Accessoires

⚠ AVERTISSEMENT

Si un cordon de rallonge s'avère nécessaire, vous devez utiliser un cordon avec conducteurs de dimension adéquate pouvant porter le courant nécessaire à votre outil. Ceci prévientra une chute excessive de tension, une perte de courant ou une surchauffe. Les outils mis à la terre doivent utiliser des cordons de rallonge trifilaires pourvus de fiches à trois broches ainsi que des prises à trois broches.

REMARQUE : Plus le calibre est petit, plus le fil est gros.

**DIMENSIONS DE RALLONGES RECOMMANDÉES
OUTILS 120 VOLTS COURANT ALTERNATIF**

Intensité nominale de l'outil	Calibre A.W.G.				Calibre en mm ²			
	Longueur en pieds				Longueur en mètres			
	25	50	100	150	15	30	60	120
3-6	18	16	16	14	0,75	0,75	1,5	2,5
6-8	18	16	14	12	0,75	1,0	2,5	4,0
8-10	18	16	14	12	0,75	1,0	2,5	4,0
10-12	16	16	14	12	1,0	2,5	4,0	—
12-16	14	12	—	—	—	—	—	—

* Lame

* Clé

** Guide de Refente

(* = équipement de série)

(** = accessoires optionnels)

Normas de seguridad para herramientas mecánicas



ADVERTENCIA Lea y entienda todas las instrucciones. El incumplimiento de todas las instrucciones indicadas a continuación puede dar lugar a sacudidas eléctricas, incendios y/o lesiones personales graves.

CONSERVE ESTAS INSTRUCCIONES

Area de trabajo

Mantenga el área de trabajo limpia y bien iluminada. Las mesas desordenadas y las áreas oscuras invitan a que se produzcan accidentes.

No utilice herramientas mecánicas en atmósferas explosivas, tales como las existentes en presencia de líquidos, gases o polvos inflamables. Las herramientas mecánicas generan chispas y éstas pueden dar lugar a la ignición del polvo o los vapores.

Mantenga a las personas que se encuentren presentes, a los niños y a los visitantes alejados al utilizar una herramienta mecánica. Las distracciones pueden hacer que usted pierda el control.

Seguridad eléctrica

Las herramientas con conexión a tierra deben enchufarse en un tomacorriente instalado y conectado a tierra adecuadamente de acuerdo con todos los códigos y ordenanzas. Nunca quite el terminal de conexión a tierra ni modifique el enchufe de ninguna forma. No utilice enchufes adaptadores. Consulte a un electricista calificado si tiene dudas sobre si el tomacorriente está conectado a tierra adecuadamente. En caso de que las herramientas tengan algún funcionamiento defectuoso o avería de tipo eléctrico, la conexión a tierra proporciona una ruta de resistencia baja para transportar la electricidad alejándola del usuario. La conexión incorrecta a tierra puede causar sacudidas eléctricas, quemar o electrocutar. Las herramientas con conexión a tierra están equipadas con un cordón de tres conductores y enchufes del tipo de tres terminales. *Antes de enchufar la herramienta, asegúrese de que la tensión del tomacorriente suministrada se encuentre dentro del margen de la tensión especificada en la placa del fabricante. No utilice herramientas con capacidad nominal "AC solamente" ("AC only") con una fuente de energía DC.*

Evite el contacto del cuerpo con las superficies conectadas a tierra tales como tuberías, radiadores, estufas de cocina y refrigeradores. Hay mayor riesgo de que se produzcan sacudidas eléctricas si su cuerpo está conectado a tierra. Si la utilización de la herramienta mecánica en lugares húmedos es inevitable, se debe usar un interruptor de circuito para fallos a tierra para suministrar la energía a la herramienta. Los guantes de goma para electricista y el calzado antideslizante aumentarán más la seguridad personal.

No exponga las herramientas mecánicas a la lluvia ni a situaciones húmedas. La entrada de agua en una herramienta mecánica aumentará el riesgo de que se produzcan sacudidas eléctricas.

No abuse del cordón. Nunca use el cordón para llevar las herramientas ni para sacar el enchufe de un tomacorriente. Mantenga el cordón alejado del calor, el aceite, los bordes afilados o las piezas móviles. Cambie los cordones dañados inmediatamente. Los cordones dañados aumentan el riesgo de que se produzcan sacudidas eléctricas.

Al utilizar una herramienta mecánica a la intemperie, utilice un cordón de extensión para intemperie marcado "W-A" o "W". Estos cordones tienen capacidad nominal para uso a la intemperie y reducen el riesgo de que se produzcan sacudidas eléctricas. Consulte "Tamaños recomendados de los cordones de extensión" en la sección Accesorios de este manual.

Seguridad personal

Manténgase alerta, fíjese en lo que está haciendo y use el sentido común cuando utilice una herramienta mecánica. No use la herramienta cuando esté cansado o se encuentre bajo la influencia de drogas, alcohol o medicamentos. Un momento de distracción al utilizar herramientas mecánicas puede dar lugar a lesiones personales graves.

Vístase adecuadamente. No se ponga ropa holgada ni joyas. Sujétese el pelo. Mantenga el pelo, la ropa y los guantes alejados de las piezas móviles. La ropa holgada, las joyas o el pelo largo pueden quedar atrapados en las piezas móviles. Mantenga los mangos secos, limpios y libres de aceite y grasa.

Evite el arranque accidental. Asegúrese de que el interruptor esté en la posición "OFF" (apagado) antes de enchufar la herramienta. El llevar las herramientas con el dedo en el interruptor o el enchufar herramientas que tengan el interruptor en la posición "ON" (encendido) invita a que se produzcan accidentes.

Quite las llaves de ajuste o de tuerca antes de encender la herramienta. Una llave de ajuste o de tuerca que se deje puesta en una pieza giratoria de la herramienta puede ocasionar lesiones personales.

No intente alcanzar demasiado lejos. Mantenga un apoyo de los pies y un equilibrio adecuados en todo momento. El apoyo de los pies y el equilibrio adecuados permiten un mejor control de la herramienta en situaciones inesperadas.

Utilice equipo de seguridad. Use siempre protección de los ojos. Se debe utilizar una máscara antipolvo, zapatos de seguridad antideslizantes, casco o protección de los oídos según lo requieran condiciones.

Utilización y cuidado de las herramientas

Utilice abrazaderas u otro modo práctico de fijar y soportar la pieza de trabajo a una plataforma estable.

La sujeción de la pieza de trabajo con la mano o contra el cuerpo resulta inestable y puede ocasionar pérdida de control.

No fuerce la herramienta. Use la herramienta correcta para la aplicación que desea. La herramienta correcta hará el trabajo mejor y con más seguridad a la capacidad nominal para la que está diseñada.

No utilice la herramienta si el interruptor no la enciende o apaga. Toda herramienta que no se pueda controlar con el interruptor es peligrosa y debe ser reparada.

Desconecte el enchufe de la fuente de energía antes de hacer cualquier ajuste, cambiar accesorios o guardar la herramienta. Estas medidas de seguridad preventivas reducen el riesgo de arrancar la herramienta accidentalmente.

Guarde las herramientas que no esté usando fuera del alcance de los niños y otras personas no capacitadas. Las herramientas son peligrosas en las manos de los usuarios no capacitados.

Mantenga las herramientas con cuidado. Conserve las herramientas de corte afiladas y limpias. Las herramientas mantenidas adecuadamente, con bordes de corte afilados, tienen menos probabilidades de atascarse y son más fáciles de controlar. Toda alteración o modificación constituye un uso incorrecto y puede tener como resultado una situación peligrosa.

Compruebe la desalineación o el atasco de las piezas móviles, la ruptura de piezas y cualquier otra situación que pueda afectar el funcionamiento de las herramientas. Si la herramienta está dañada, haga que realicen un servicio de ajustes y reparaciones a la herramienta antes de usarla. Muchos accidentes son causados por herramientas mantenidas deficientemente. Establezca un programa de mantenimiento periódico para la herramienta.

Utilice únicamente accesorios que estén recomendados por el fabricante de su modelo. Los accesorios que pueden ser adecuados para una herramienta pueden volverse peligrosos cuando se utilizan en otra herramienta.

Servicio

El servicio de ajustes y reparaciones de una herramienta debe ser realizado únicamente por personal de reparaciones competente. El servicio o mantenimiento realizado por personal no competente podría ocasionar un peligro de que se produzcan lesiones. Por ejemplo: Los cables internos pueden colocarse mal o pellizcarse, los resortes de retorno de los protectores de seguridad pueden montarse inadecuadamente.

Al realizar servicio de ajustes y reparaciones de una herramienta, utilice únicamente piezas de repuesto idénticas. Siga las instrucciones que aparecen en la sección Mantenimiento de este manual. El uso de piezas no autorizadas o el incumplimiento de las instrucciones de Mantenimiento puede ocasionar un peligro de que se produzcan sacudidas eléctricas o lesiones. Ciertos agentes de limpieza, tales como gasolina, tetracloruro de carbono, amoníaco, etc., pueden dañar las piezas de plástico.

Normas de seguridad para sierras circulares



PELIGRO Mantenga las manos alejadas del área de corte y de la hoja. Mantenga la segunda mano en el mango auxiliar o en la caja del motor. Si las dos manos están sujetando la sierra, la hoja no puede cortarlas. *Sujete la sierra firmemente para evitar la pérdida de control. Las figuras que aparecen en este manual ilustran la manera típica de sujetar la sierra con las manos. NUNCA ponga la mano detrás de la hoja de sierra, ya que el retroceso podría hacer que la sierra salte hacia atrás sobre la mano.*

Mantenga el cuerpo situado en cualquiera de los lados de la hoja de sierra, pero no en línea con la hoja de sierra. El RETROCESO podría hacer que la sierra saltara hacia atrás. (Vea "Causas del retroceso y su prevención por el operador".)

No ponga la mano debajo de la pieza de trabajo. El protector no puede protegerle de la hoja debajo de la pieza de trabajo. *No intente retirar el material cortado cuando la hoja se está moviendo.*

Compruebe si el protector inferior cierra correctamente antes de cada uso. No haga funcionar la sierra si el protector inferior no se mueve libremente y no se cierra instantáneamente. Nunca fije con abrazaderas ni ate el protector inferior en la posición abierta. Si la sierra se cae accidentalmente, es posible que el protector inferior se doble. Suba el protector inferior únicamente con la palanca de elevación del protector inferior y asegúrese de que se mueva libremente y de que no toque la hoja ni ninguna otra pieza en todos los ángulos y profundidades de corte.

Compruebe el funcionamiento del resorte del protector inferior. Si el protector y el resorte no funcionan correctamente, se deben ajustar o reparar antes de usar la sierra. El protector inferior puede funcionar con dificultad debido a que haya piezas dañadas o a la presencia de depósitos gomosos o una acumulación de residuos. *Desconecte el enchufe de la fuente de energía. Periódicamente quite la hoja, limpie con queroseno los protectores superior e inferior y el área central y séquelos con un trapo o límpielos con chorro de aire comprimido.*

El protector inferior se debe retraer manualmente sólo para hacer cortes especiales tales como "cortes de bolsillo" y "cortes compuestos". Suba el protector inferior usando la palanca de elevación del protector inferior. En cuanto la hoja entre en el material, se debe soltar el protector inferior. Para todas las demás operaciones de aserrado, el protector inferior debe funcionar automáticamente.

Asegúrese siempre de que el protector inferior esté cubriendo la hoja antes de dejar la sierra en un banco o en el piso. Si la hoja no tiene protección y gira por inercia hasta detenerse, hará que la sierra se mueva hacia atrás, cortando todo lo que encuentre a su paso. Sepa el tiempo que debe transcurrir para que la hoja se detenga después de soltar el interruptor.

NUNCA tenga en las manos ni apoye en la pierna la pieza que se está cortando. Es importante apoyar la pieza de trabajo adecuadamente para minimizar la exposición del cuerpo, el atasco de la hoja y la pérdida de control.

Sujete la herramienta por las superficies de agarre aisladas al realizar una operación en la que la herramienta de corte pueda entrar en contacto con cables ocultos o con su propio cordón. El contacto con un cable con corriente también hará que las partes metálicas al descubierto de la herramienta lleven corriente y causará descargas eléctricas al operador.

Al cortar al hilo, utilice siempre un tope-guía para cortar al hilo o una guía de borde recto. Esto aumenta la precisión del corte y reduce las posibilidades de que la hoja se atasque.

Utilice siempre hojas con agujeros de eje portaherramienta de tamaño y forma correctos (diamante frente a redondo). Las hojas que no coincidan con las piezas de montaje de la sierra girarán excéntricamente, causando pérdida de control, y no permitirán el acoplamiento apropiado de par motor variable.

Nunca utilice arandelas o pernos de hoja dañados o incorrectos. Las arandelas y el perno de la hoja se diseñaron especialmente para la sierra con objeto de lograr un rendimiento óptimo y un funcionamiento con seguridad. *Las arandelas y el perno de la hoja de la sierra se han diseñado para funcionar como un "EMBRAGUE DE PAR MOTOR VARIABLE".* Entienda el funcionamiento y las posiciones del EMBRAGUE DE PAR MOTOR VARIABLE, porque el ajuste correcto del EMBRAGUE,

combinado con un manejo firme de la sierra, le permitirá controlar el RETROCESO.

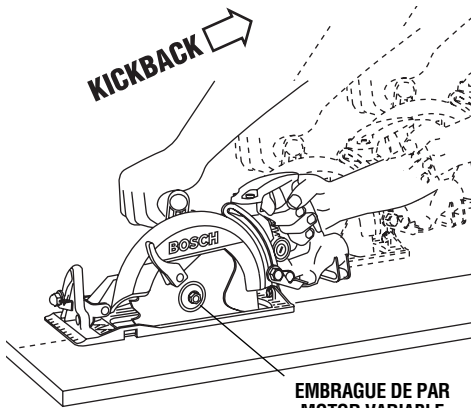
No tenga la sierra en marcha mientras la lleva a su lado. El protector inferior se puede abrir al entrar en contacto con su ropa. El contacto accidental con la hoja de sierra que gira podría ocasionar lesiones personales graves.

Según el uso, es posible que el interruptor no dure toda la vida de la sierra. Si el interruptor falla en la posición "OFF" (apagado), puede que la sierra no arranque. Si falla mientras la sierra está en marcha, puede que ésta no se pueda apagar. Si se produce cualquiera de estas dos situaciones, desenchufe la sierra inmediatamente y no la utilice hasta que haya sido reparada.

Esta sierra circular no se debe montar en una mesa para convertirla en una sierra de mesa. Las sierras circulares no están diseñadas ni concebidas para usarse como sierras de mesa.

CAUSAS DEL RETROCESO Y SU PREVENCIÓN POR EL OPERADOR:

El retroceso es una reacción repentina al pellizcamiento, atasco o desalineación de la hoja de sierra que hace que una sierra descontrolada se eleve y salga de la pieza de trabajo en dirección al operador.



Cuando la hoja se pellizca o se atasca fuertemente al estrecharse la separación de corte, la hoja se detiene y la reacción del motor impulsa la unidad rápidamente hacia atrás en dirección al operador.

Si la hoja se tuerce o se desalinea en el corte, los dientes del filo trasero de la hoja pueden penetrar en la superficie superior de la madera, haciendo que la hoja se salga de la separación de corte y salte hacia atrás en dirección al operador.

El retroceso es el resultado del uso incorrecto de la herramienta y/o de procedimientos o condiciones de funcionamiento incorrectos y se puede evitar tomando las precauciones adecuadas que se indican a continuación:

Mantenga un agarre firme de la sierra con las dos manos y sitúe el cuerpo y el brazo de modo que pueda resistir las fuerzas de RETROCESO. El operador puede controlar las fuerzas de RETROCESO si se toman precauciones adecuadas.

Cuando la hoja se atasque o cuando se interrumpa un corte por cualquier razón, suelte el gatillo y sujete la sierra en posición inmóvil en el material hasta que la hoja se detenga por completo. Nunca intente retirar la sierra de la pieza de trabajo ni tirar de la sierra hacia atrás mientras la hoja está en movimiento o de lo contrario se podrá producir RETROCESO. Investigue y tome medidas correctoras para eliminar la causa del atasco de la hoja. *La madera mojada, la madera verde y la madera tratada a presión requieren atención especial durante la operación de corte para prevenir el RETROCESO. Evite cortar clavos. Inspeccione la madera para ver si tiene clavos y quítelos todos antes de cortar.*

Al volver a arrancar una sierra en una pieza de trabajo, centre la hoja de sierra en la separación de corte y compruebe que los dientes de la sierra no estén encajados en el material. Si la hoja de sierra se atasca, es posible que se desplace hacia arriba o que se produzca RETROCESO respecto a la pieza de trabajo al volver a arrancar la sierra.

Soporte los paneles grandes para minimizar el riesgo de que se produzcan pellizcamiento de la hoja y RETROCESO. Los paneles grandes tienden a combarse bajo su propio peso. Se deben colocar soportes bajo el panel a ambos lados, cerca de la línea de corte y cerca del borde del panel. *Vea "Corte de planchas grandes" en este manual.*

No utilice una broca desafilada o dañada. Las hojas desafiladas o ajustadas incorrectamente producen una separación de corte estrecha, causando fricción excesiva, atasco de la hoja y RETROCESO.

Las pomas de fijación de profundidad de la hoja y de ajuste de inclinación de la hoja deben estar apretadas y fijas antes de hacer el corte. Si el ajuste de la hoja cambia mientras se está haciendo un corte, puede causar atasco y RETROCESO. *La utilización de la sierra con una profundidad de corte excesiva aumenta la carga a la que se somete la unidad y la susceptibilidad de la hoja a torcerse en la separación de corte. También aumenta el área de la superficie de la hoja que puede experimentar pellizcamiento en situaciones en las que la separación de corte se estreche.*

Tenga precaución especial al hacer un "corte de bolsillo" en paredes existentes o en otras áreas ciegas. La hoja que sobresale puede cortar objetos que pueden causar RETROCESO.

⚠ ADVERTENCIA Cierta polvo generado por el lijado, aserrado, amolado y taladrado mecánicos, y por otras actividades de construcción, contiene agentes químicos que se sabe que causan cáncer, defectos de nacimiento u otros daños sobre la reproducción. Algunos ejemplos de estos agentes químicos son:


- Plomo de pinturas a base de plomo,
- Sílice cristalina de ladrillos y cemento y otros productos de mampostería, y
- Arsénico y cromo de madera tratada químicamente.


Su riesgo por causa de estas exposiciones varía, dependiendo de con cuánta frecuencia realice este tipo de trabajo. Para reducir su exposición a estos agentes químicos: trabaje en un área bien ventilada y trabaje con equipo de seguridad aprobado, como por ejemplo máscaras antipolvo que estén diseñadas especialmente para impedir mediante filtración el paso de partículas microscópicas.

Símbolos

IMPORTANTE: Es posible que algunos de los símbolos siguientes se usen en su herramienta. Por favor, estúdielos y aprenda su significado. La interpretación adecuada de estos símbolos le permitirá utilizar la herramienta mejor y con más seguridad.


Símbolo	Nombre	Designación/explicación
V	Volt	Tensión (potencial)
A	Ampere	Corriente
Hz	Hertz	Frecuencia (ciclos por segundo)
W	Watt	Potencia
kg	Kilogramo	Peso
min	Minuto	Tiempo
s	Segundo	Tiempo
∅	Diámetro	Tamaño de las brocas taladradoras, muelas, etc
n_0	Velocidad sin carga	Velocidad rotacional sin carga
.../min	Revoluciones o alternación por minuto	Revoluciones, golpes, velocidad de superficie, órbitas, etc., por minuto
0	Posición "off" (apagado)	Velocidad cero, par motor cero...
1, 2, 3, ... I, II, III,	Graduaciones del selector	Graduaciones de velocidad, par motor o posición. Un número más alto significa mayor velocidad
	Selector infinitamente variable con apagado	La velocidad aumenta desde la graduación de 0
	Flecha	Acción en la dirección de la flecha
	Corriente alterna	Tipo o una característica de corriente
	Corriente continua	Tipo o una característica de corriente
	Corriente alterna o continua	Tipo o una característica de corriente
	Construcción de clase II	Designa las herramientas de construcción con aislamiento doble.
	Terminal de toma de tierra	Terminal de conexión a tierra
	Símbolo de advertencia	Alerta al usuario sobre mensajes de advertencia
	Sello RBRC™ de Ni-Cd	Designa el programa de reciclaje de baterías de Ni-Cd


 Este símbolo indica que esta herramienta está catalogada por Underwriters Laboratories.

 Este símbolo indica que Underwriters Laboratories ha catalogado esta herramienta indicando que cumple las normas canadienses.



Este símbolo indica que esta herramienta cumple con la norma mexicana oficial (NOM).

 Este símbolo indica que esta herramienta está catalogada por la Canadian Standards Association.

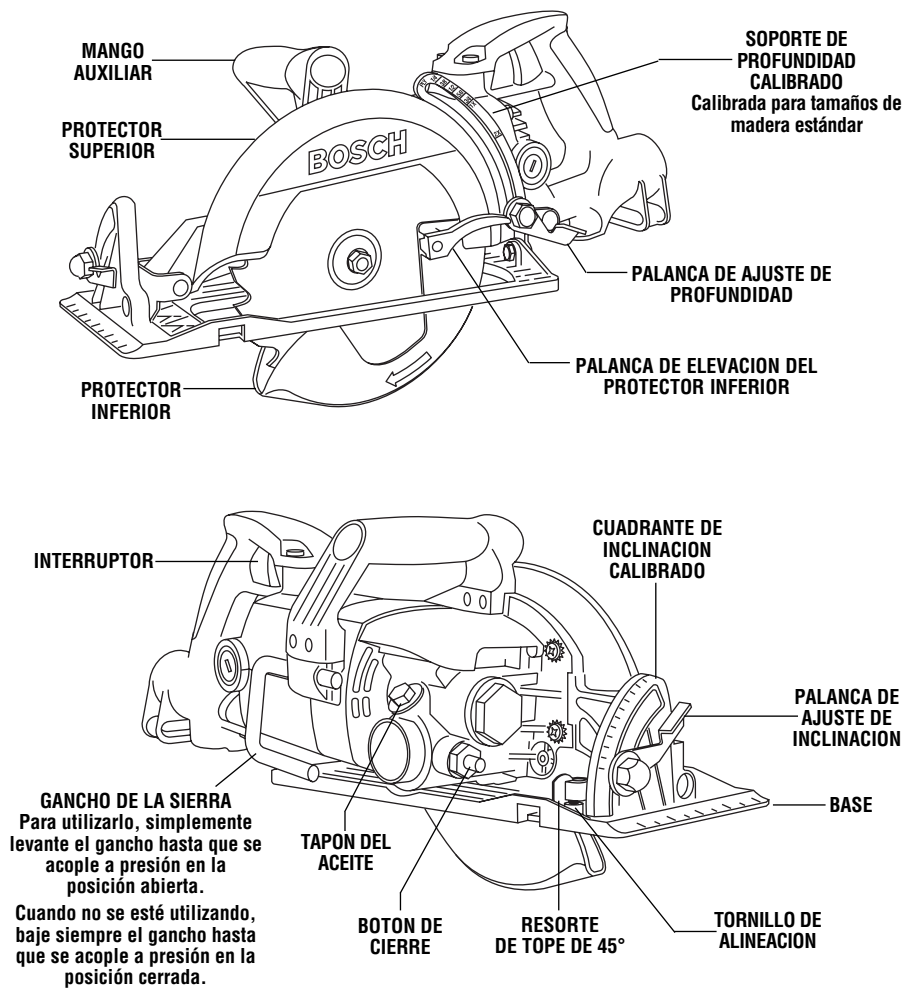
 Este símbolo indica que esta herramienta está catalogada por Underwriters Laboratories y que Underwriters Laboratories la ha catalogado según las normas canadienses.

Descripción funcional y especificaciones

ADVERTENCIA Desconecte el enchufe de la fuente de energía antes de realizar cualquier ensamblaje o ajuste, o cambiar accesorios. Estas medidas de seguridad preventivas reducen el riesgo de arrancar la herramienta accidentalmente.

Sierra circular

FIG. 1



Hoja	184 mm
Agujero de eje portaherramienta de la hoja	Diamante

Capacidades máximas

Profundidad de corte a 90°	60 mm
Profundidad de corte a 45°	49 mm
Profundidad de corte a 50°	46 mm

NOTA: Para obtener las especificaciones de la herramienta, consulte la placa del fabricante colocada en la herramienta.

Ensamblaje

COLOCACION DE LA HOJA

ADVERTENCIA Desconecte el enchufe de la fuente de energía antes de realizar cualquier ensamblaje o ajuste, o cambiar accesorios. Estas medidas de seguridad preventivas reducen el riesgo de arrancar la herramienta accidentalmente.

1. Oprima el botón de cierre y gire la llave de tuerca hasta que el botón de cierre encaje. Ahora el eje de la sierra está fijo. Continúe oprimiendo el botón, gire la llave en el sentido de las agujas del reloj y quite el TORNILLO DE LA HOJA y la ARANDELA EXTERIOR (Fig. 2).
2. Retraiga el protector inferior por completo hasta el interior del protector superior. Mientras que retrae el protector inferior, revise el funcionamiento y el estado del MUELLE DEL PROTECTOR INFERIOR.
3. Asegúrese de que los dientes de la sierra y la flecha de la hoja están dirigidos en la misma dirección que la flecha del protector inferior.
4. Deslice la hoja a través de la ranura de la base y móntela junto a la ARANDELA INTERIOR en el eje. Asegúrese de que no queda espacio entre el diámetro grande de las arandelas INTERIOR y EXTERIOR y la hoja.

5. Vuelva a instalar la ARANDELA EXTERIOR. Primero, apriete fuertemente con el dedo el TORNILLO de la HOJA y después APRIETE EL TORNILLO DE LA HOJA $\frac{1}{8}$ DE VUELTA (45°) CON LA LLAVE DE TUERCA SUMINISTRADA.

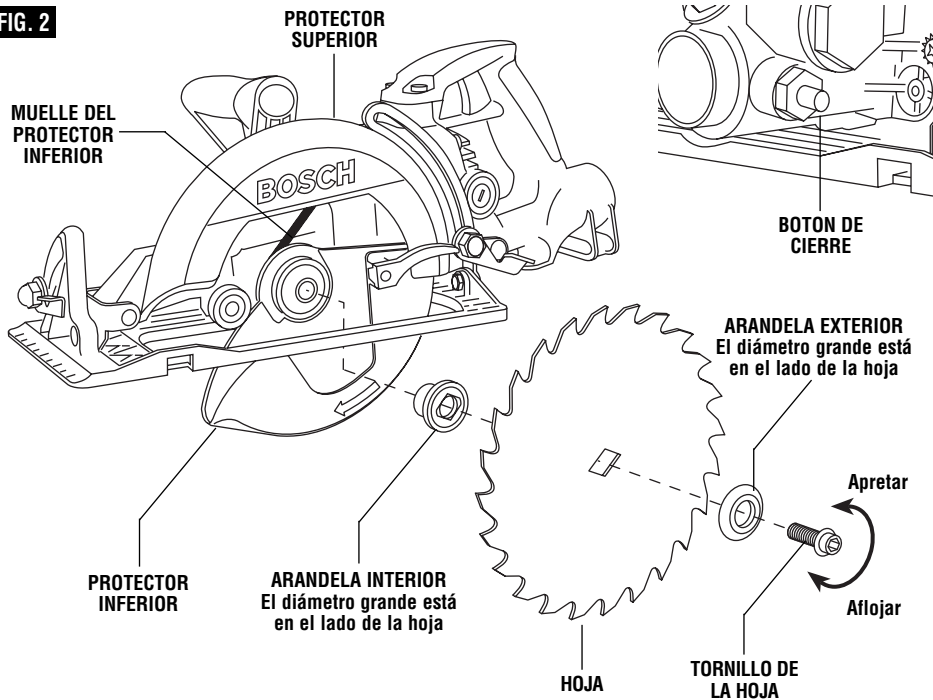
No utilice llaves con mangos más largos, ya que pueden hacer que el tornillo de la hoja quede excesivamente apretado.

EMBRAGUE DE PAR MOTOR VARIABLE

Esta acción de embrague es proporcionada por la fricción de la ARANDELA EXTERIOR contra la HOJA y permite que el eje de la hoja gire cuando la hoja encuentra una resistencia excesiva. Cuando el TORNILLO DE LA HOJA está apretado adecuadamente (tal como se describe en el No. 5 de Colocación de la hoja), la hoja patinará al encontrar una resistencia excesiva, por lo que reducirá la tendencia de la sierra al RETROCESO.

Una posición de ajuste puede no ser suficiente para cortar todos los materiales. Si la hoja patina demasiado, apriete el tornillo de la hoja una fracción de vuelta más (menos de $\frac{1}{8}$ de vuelta). EL APRETAR EXCESIVAMENTE EL TORNILLO DE LA HOJA ANULA LA EFICACIA DEL EMBRAGUE.

FIG. 2



Instalación del cordón energía

⚠ ADVERTENCIA EL SISTEMA DE CONEXIÓN DIRECTA DEL CORDÓN HA SIDO CONFIGURADO PARA UTILIZARSE CON UN CORDÓN DE CALIBRE 12 AWG SJ CON UNA LONGITUD MÁXIMA DE 50 PIES. INSPECCIONE EL CORDÓN Y NO LO USE SI ESTÁ DAÑADO.

1. Haga un bucle con el cordón de la manera que se muestra en la figura A.

2. Introduzca el extremo en bucle del cordón a través de la ranura del mango y haga un bucle con el cordón dentro del canal provisto en el mango de la manera que se muestra en la figura B.

ATENCIÓN: Antes de introducir el enchufe en el mango, asegúrese siempre de dejar suficiente cordón

en el extremo del enchufe para evitar que haya tensión en el enchufe cuando esté introducido en la herramienta.

3. Empuje el extremo del enchufe a través del clip de resorte y al interior del tomacorriente hembra ubicado en el mango asa, de la manera que se muestra más adelante.

4. Para sacar el enchufe de la herramienta, simplemente sáquelo del tomacorriente y tire de él alejándolo del clip de resorte.

NOTA: Si el clip de resorte no sujeta firmemente el enchufe, puede que sea necesario presionar el clip por ambos lados para apretarlo, utilizando unos alicates.

FIG. A

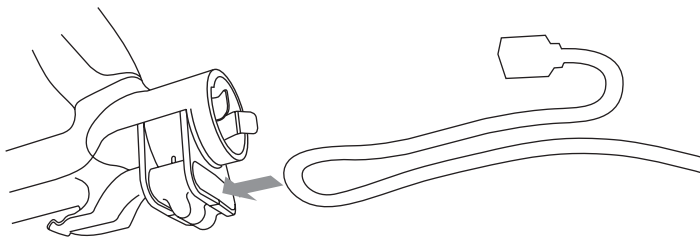
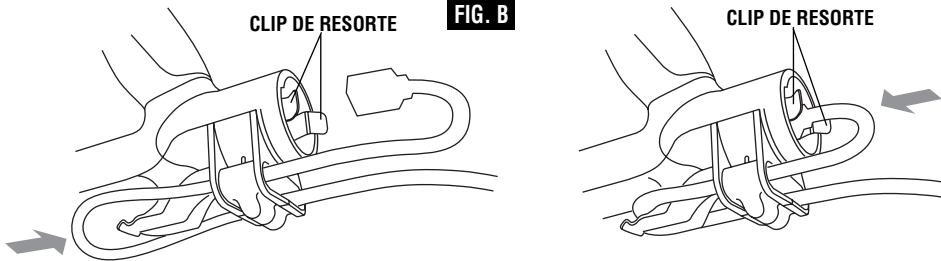


FIG. B

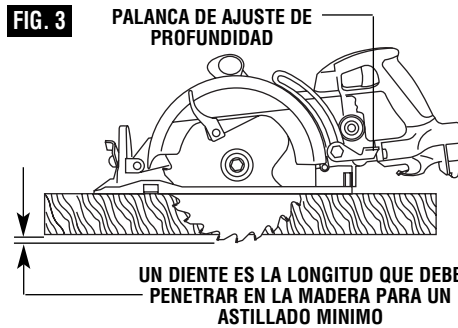


Instrucciones de funcionamiento

AJUSTE DE PROFUNDIDAD

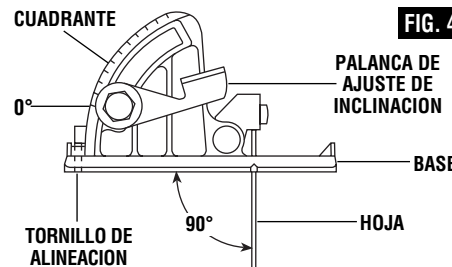
Desconecte el enchufe de la fuente de energía. Afloje la palanca de ajuste de profundidad situada entre el protector y el mango de la sierra. Sujete la base con una mano y suba o baje la sierra con el mango. Fije la palanca en la posición de ajuste de profundidad deseada. Verifique la profundidad deseada (Fig. 3).

Para un astillado mínimo la hoja no debe sobresalir por debajo del material que se va a cortar más que la longitud de un diente. (Fig. 3).



VERIFICACIÓN DEL ÁNGULO DE CORTE DE 90°

Desconecte el enchufe de la fuente de energía. Ajuste la base al valor de máxima profundidad de corte. Afloje la palanca de ajuste de inclinación, ajuste a 0° en el cuadrante, vuelva a apretar primero la palanca de ajuste de inclinación, luego la palanca de ajuste de profundidad y verifique que hay un ángulo de 90° entre la hoja y el plano inferior de la base con una escuadra (Fig. 4). Haga ajustes girando el tornillo de alineación que está en el lado inferior de la base, en caso de que sea necesario (Fig. 4).

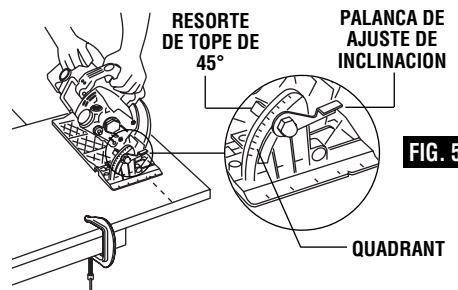


AJUSTE DE INCLINACIÓN

Desconecte el enchufe de la fuente de energía. La base puede ajustarse hasta 45° aflojando la palanca de ajuste de inclinación que está en la parte delantera de la sierra y alineando la base al ángulo deseado en el cuadrante calibrado. Para mantener el ajuste, apriete siempre primero el ajuste de inclinación y luego el ajuste de profundidad (Fig. 5).

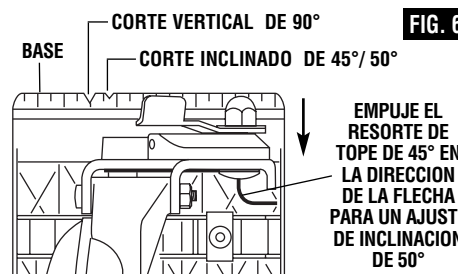
Para cortes de 50°, afloje la palanca de ajuste de inclinación, presione el resorte del tope de 45°, ajuste la base a 50° y apriete la palanca (Fig. 5). Debido al aumento de la cantidad de acoplamiento de la hoja en la pieza de trabajo y a la disminución de la estabilidad de la

base, se podría producir atasco de la hoja. Mantenga la sierra estable y la base firme sobre la pieza de trabajo.



GUÍA DE LÍNEA

Para un corte recto de 90°, utilice la muesca grande de la base. Para cortes inclinados de 45°, utilice la muesca pequeña (Fig. 6). La muesca de la guía de corte proporcionará una línea de corte aproximada. Realice cortes de muestra en madera de desecho para verificar la línea de corte real. Esto servirá de ayuda debido al número de diferentes tipos y espesores de hoja disponibles. Para asegurar un astillado mínimo en el lado bueno del material que se va a cortar, coloque el lado bueno hacia abajo.



GUÍA DE INTERRUPTOR

⚠ ADVERTENCIA Al arrancar la herramienta, sujétela con las dos manos. El par de fuerzas del motor puede hacer que la herramienta se tuerza.

Para encender la herramienta (posición "ON"), apriete el interruptor gatillo. Para apagar la herramienta (posición "OFF"), suelte el interruptor gatillo, que está accionado por muelle, y volverá a la posición "off" automáticamente.

La sierra debe funcionar a toda velocidad ANTES de comenzar el corte y se debe apagar ÚNICAMENTE DESPUES que se haya terminado el corte. Para aumentar la vida del interruptor, no apague y encienda el interruptor mientras esté cortando.

CORTES GENERALES

Sujete siempre el mango de la sierra con una mano y el mango auxiliar o la caja protectora con la otra.

⚠ ADVERTENCIA Asegúrese siempre de que las manos no interfieran con el movimiento libre del protector inferior.

Agarre firmemente y accione el interruptor con una acción decidida. Nunca fuerce la sierra. Utilice una presión ligera y continua.

⚠ ADVERTENCIA Después de completar un corte y haber soltado el gatillo, tenga en cuenta el tiempo que se necesita para que la hoja se detenga por completo durante la desaceleración con movimiento por inercia. No permita que la sierra le roce la pierna o el lado, ya que como el protector inferior es retráctil podría engancharse en la ropa y poner la hoja al descubierto. Tenga en cuenta los sitios en que la hoja está al descubierto por necesidad tanto en las áreas del protector inferior como del superior.

Cuando se interrumpe el corte, para seguir cortando: apriete el gatillo y deje que la hoja se ponga a toda velocidad, vuelva a entrar en el corte lentamente y siga cortando.

Cuando se corta a contrahilo, las fibras de la madera tienden a rasgarse y levantarse. El hacer que la sierra avance lentamente minimiza este efecto. Para un corte acabado se recomienda una hoja de corte transversal o una hoja de cortar a inglete.

CORTE DE MAMPOSTERÍA Y METAL

Esta herramienta no se recomienda para la utilización continua y general con discos de corte de metal o mampostería. Si usted utiliza la sierra para cortar estos materiales, use el disco adecuado para el material que se esté cortando.

Cuando corte mampostería, no corte a una profundidad de más de 1/4 de pulgada (6mm). Realice pasadas sucesivas para lograr la profundidad deseada. Aplique una leve presión hacia adelante. No sobrecargue el motor. Desconecte el enchufe de la fuente de energía y

limpie el polvo de los conductos de aire frecuentemente. El corte de metal se hace a máxima profundidad.

⚠ ADVERTENCIA Limpie frecuentemente los protectores para asegurarse de que el protector inferior regrese rápidamente. El protector inferior puede llegar a funcionar con dificultad cuando se corten materiales de mampostería.

⚠ ADVERTENCIA Las ruedas abrasivas de corte deben tener una velocidad máxima de funcionamiento con seguridad superior a las "RPM sin carga" indicadas en la placa del fabricante de la herramienta. Las ruedas que estén funcionando a una velocidad superior a la nominal pueden romperse, salir despedidas y causar lesiones.

⚠ ADVERTENCIA No utilice la rueda de corte abrasivo cerca de materiales inflamables. Las chispas generadas por la rueda podrían incendiar estos materiales.

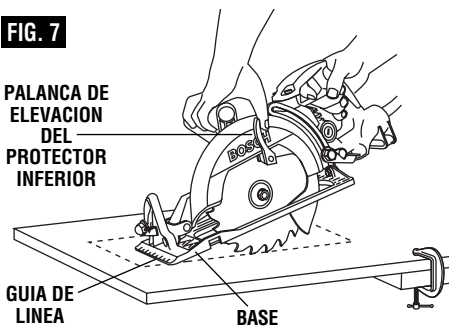
⚠ ADVERTENCIA Esta máquina no está diseñada para utilizarse con ruedas adiamantadas mojadas. La utilización de agua u otros refrigerantes líquidos con esta máquina puede ocasionar electrocución o sacudidas eléctricas. El uso de ruedas adiamantadas secas es aceptable.

CORTES DE BOLSILLOS

Desconecte el enchufe de la fuente de energía antes de realizar ajustes. Coloque el ajuste de profundidad de acuerdo con el material que va a cortar. Incline la sierra hacia adelante con la muesca de la guía de corte alineada con la línea que usted ha trazado. Levante el protector inferior utilizando la palanca de elevación y sujete la sierra con los mangos frontal y posterior (Fig. 7).

Con la hoja muy cerca del material que se va a cortar, pero sin tocarlo, arranque el motor. Baje gradualmente la parte posterior de la sierra utilizando el extremo frontal de la base como punto de bisagra.

FIG. 7



⚠ ADVERTENCIA Cuando la hoja comience a cortar el material, suelte el protector inferior inmediatamente. Cuando la base descansa horizontalmente sobre la superficie que se está cortando, siga cortando en dirección hacia adelante hasta el final del corte.

ADVERTENCIA Deje que la hoja se detenga por completo antes de sacar la sierra del corte. Además, nunca intente mover la sierra hacia atrás, ya que la hoja se saldrá del material y se producirá RETROCESO.

De la vuelta a la sierra y termine el corte de manera normal, aserrando hacia adelante. Si las esquinas del corte de bolsillo no están completamente cortadas, utilice una sierra de vaivén o una sierra de mano para terminar las esquinas.

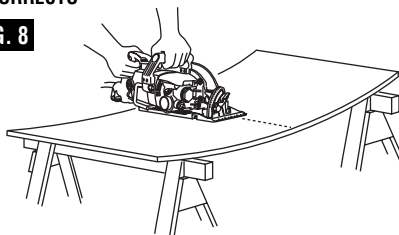
CORTE DE PLANCHAS GRANDES

Las planchas grandes y los tableros largos se curvan o se doblan según el apoyo. Si usted intenta cortar sin nivelar y sin apoyar la pieza adecuadamente, la hoja tenderá a atascarse, produciendo RETROCESO y una sobrecarga en el motor (Fig. 8).

Apoye el panel o el tablero cerca del corte, tal como se muestra en la (Fig. 9). Asegúrese de ajustar la profundidad de corte para cortar la plancha o el tablero solamente y no la mesa o el banco de trabajo. Las tablas de dos por cuatro pulgadas utilizadas para elevar y apoyar la pieza de trabajo deben colocarse de manera que los lados más anchos soporten la pieza de trabajo y descansen en la mesa o en el banco. No apoye la pieza de trabajo en los lados estrechos, ya que esta disposición es inestable. Si la plancha o el tablero a cortar es demasiado grande para una mesa o un banco de trabajo, utilice los tablas de apoyo de dos por cuatro pulgadas sobre el suelo y fije la pieza de trabajo.

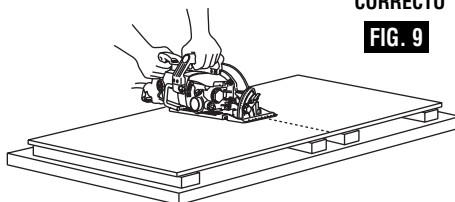
INCORRECTO

FIG. 8



CORRECTO

FIG. 9



CORTES AL HILO

La hoja combinada suministrada con la sierra sirve tanto para cortes transversales como para cortes al hilo. El corte al hilo consiste en cortar a lo largo siguiendo la veta de la madera. Los cortes al hilo son fáciles de realizar con un tope-guía para cortar al hilo (Fig. 10). El tope-guía para cortar al hilo está disponible como accesorio (no incluido). Para colocar el tope-guía, introdúzcalo a través de las ranuras de la base hasta la anchura deseada tal como se muestra en la ilustración y fíjelo con la tuerca de mariposa (no incluido).

TABLERO-GUIA PARA CORTAR AL HILO

Cuando se cortan al hilo planchas grandes, puede que el tope-guía para cortar al hilo no permita el ancho de corte deseado. Sujete o clave una pieza recta de madera de 1" (25mm) a la plancha como guía (Fig. 11). Utilice el lado izquierdo de la base apoyándolo en la tablero-guía.

FIG. 10

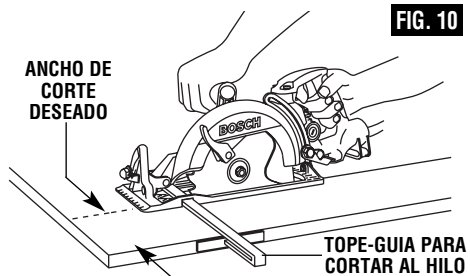
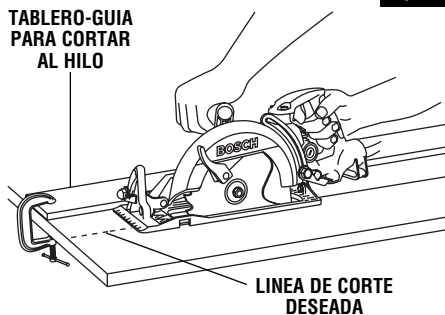


FIG. 11



Mantenimiento

Servicio

⚠ ADVERTENCIA El mantenimiento preventivo realizado por personal no autorizado puede dar lugar a la colocación incorrecta de cables y componentes internos que podría constituir un peligro serio. Recomendamos que todo el servicio de las herramientas sea realizado por un Centro de servicio de fábrica Bosch o por una Estación de servicio Bosch autorizada.

LUBRICACION DE LAS HERRAMIENTAS

Su herramienta Bosch ha sido lubricada adecuadamente y está lista para la utilización. Sin embargo, se recomienda relubricar los engranajes solamente con lubricante Bosch WD7LUB o Skil 80111.

Compruebe siempre el nivel del aceite antes de utilizar la sierra. Para comprobar y añadir el aceite: Saque el enchufe de la fuente de energía y coloque la

base de la sierra sobre una superficie horizontal. Quite el tapón del aceite utilizando la misma llave de tuerca utilizada para quitar la hoja de sierra. El nivel del aceite nunca deberá estar por debajo de las roscas inferiores de la caja. Al añadir aceite, llene hasta que el aceite comience a salirse por el agujero del aceite junto a la flecha de la caja y vuelva a colocar el tapón del aceite.

NOTA: Si el aceite está demasiado sucio o es demasiado espeso, vuelva a colocar el tapón y haga funcionar la sierra durante un minuto para calentar el aceite. Luego, quite el tapón del aceite y coloque la sierra boca abajo para sacar todo el aceite. Llene la caja con queroseno. Vuelva a colocar el tapón y haga funcionar la sierra durante un minuto para limpiar la caja de engranajes. Saque el queroseno y añada lubricante Bosch nuevo. Con una sierra nueva, cambie el aceite después de las diez primeras horas de utilización.

ESCOBILLAS DE CARBON

Las escobillas y el conmutador de la herramienta han sido diseñados para muchas horas de servicio fiable. Para mantener un rendimiento óptimo del motor, recomendamos que se examinen las escobillas cada dos a seis meses. Las escobillas deberán estar libres de polvo y suciedad. Las escobillas deberán sustituirse cuando se hayan desgastado hasta una longitud de 3/16 de pulgada (4.8 mm). Las escobillas deberán deslizarse libremente hacia adentro y hacia afuera de los soportes sin adherirse.

Para comprobar las escobillas: Desconecte el enchufe de la fuente de energía. Destornille las tapas de las escobillas de la caja del motor y saque las escobillas;

fíjese hacia qué dirección están orientadas las escobillas para que éstas se puedan volver a colocar en su posición original. Limpie las aberturas de los soportes de las escobillas con aire comprimido o con un paño limpio y vuelva a colocar las escobillas y las cabezas.

Sólo se deben usar escobillas de repuesto Bosch genuinas diseñadas específicamente para su herramienta.

RODAMIENTOS

Después de 300-400 horas de funcionamiento, o después de cada segundo cambio de escobillas, los rodamientos deben cambiarse en un Centro de servicio de fábrica Bosch o en una Estación de servicio Bosch autorizada. Los rodamientos que se vuelven ruidosos (debido a la pesada carga o al corte de materiales muy abrasivos) deben ser sustituidos inmediatamente para evitar el sobrecalentamiento o el fallo del motor.

Limpieza

⚠ ADVERTENCIA Para evitar accidente desconecte siempre la herramienta de la fuente de energía antes de la limpieza o de la realización de cualquier mantenimiento. La herramienta se puede limpiar más eficazmente con aire comprimido seco. Use gafas de seguridad siempre que limpie herramientas con aire comprimido.

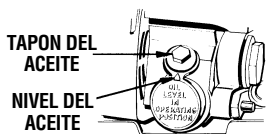
Las aberturas de ventilación y las palancas de interruptor deben mantenerse limpias y libres de materias extrañas. No intente limpiar introduciendo objetos puntiagudos a través de las aberturas.

⚠ PRECAUCION Ciertos agentes de limpieza y disolventes dañan las piezas de plástico. Algunos de estos son: gasolina, tetracloruro de carbono, disolventes de limpieza clorados, amoníaco y detergentes domésticos que contienen amoníaco.

CUIDADO DE LAS HOJAS

Las hojas se desafilan incluso al cortar madera normal. Si usted tiene que forzar la sierra hacia adelante para que corte, en vez de simplemente guiarla a través del corte, lo más probable es que la hoja esté desafilada o cubierta de resina de madera.

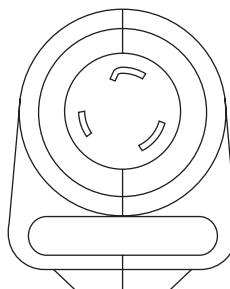
Quando limpie la hoja para quitarle la goma y la resina de madera, desenchufe la sierra y quite la hoja. Recuerde, las hojas están diseñadas para cortar, así que manipúlelas cuidadosamente. Limpie la hoja con queroseno o con un disolvente similar para eliminar la goma y la resina. A menos que usted tenga experiencia en afilar hojas, le recomendamos que no lo intente de trabajo.



**INSTRUCCIONES DEL CONECTOR QUE TRABA POR GIRO PARA EL MODELO 1677MDT ÚNICAMENTE
"TRABA POR GIRO" DE 20 AMP, 125 VOLT**

El modelo 1677MDT está equipado con un conector macho "que trava por giro" tal como se muestra. Utilice únicamente un cordón de extensión de tres alambres que tenga en un extremo un conector hembra acoplable "que trava por giro" y en el otro extremo un enchufe de conexión a tierra de 3 espigas. (Consulte la sección Seguridad eléctrica que aparece en la página 26 para obtener información sobre conexión a tierra.)

NEMA L5-20P



Accesorios

⚠ ADVERTENCIA Si es necesario un cordón de extensión, se debe usar un cordón con conductores de tamaño adecuado que sea capaz de transportar la corriente necesaria para la herramienta. Esto evitará caídas de tensión excesivas, pérdida de potencia o recalentamiento. Las herramientas conectadas a tierra deben usar cordones de extensión de 3 hilos que tengan enchufes de 3 terminales y receptáculos para 3 terminales.

NOTA: Cuanto más pequeño es el número de calibre, más grueso es el cordón.

**TAMAÑOS RECOMENDADOS DE CORDONES DE EXTENSION
HERRAMIENTAS DE 120 V CORRIENTE ALTERNA**

Capacidad nominal en amperios de la herramienta	Tamaño del cordón en A.W.G.				Tamaños del cable en mm ²			
	Longitud del cordón en pies				Longitud del cordón en metros			
	25	50	100	150	15	30	60	120
3-6	18	16	16	14	0,75	0,75	1,5	2,5
6-8	18	16	14	12	0,75	1,0	2,5	4,0
8-10	18	16	14	12	0,75	1,0	2,5	4,0
10-12	16	16	14	12	1,0	2,5	4,0	—
12-16	14	12	—	—	—	—	—	—

* Hoja

* Llave

** Tope-guia para cortar al hilo

(* = equipo estándar)

(** = accesorios opcionales)

Notes:

Remarques :

Notas:

LIMITED WARRANTY OF BOSCH PORTABLE AND BENCHTOP POWER TOOLS

Robert Bosch Tool Corporation ("Seller") warrants to the original purchaser only, that all BOSCH portable and benchtop power tools will be free from defects in material or workmanship for a period of one year from date of purchase. SELLER'S SOLE OBLIGATION AND YOUR EXCLUSIVE REMEDY under this Limited Warranty and, to the extent permitted by law, any warranty or condition implied by law, shall be the repair or replacement of parts, without charge, which are defective in material or workmanship and which have not been misused, carelessly handled, or misrepaired by persons other than Seller or Authorized Service Station. To make a claim under this Limited Warranty, you must return the complete portable or benchtop power tool product, transportation prepaid, to any BOSCH Factory Service Center or Authorized Service Station. For Authorized BOSCH Power Tool Service Stations, please refer to your phone directory.

THIS LIMITED WARRANTY DOES NOT APPLY TO ACCESSORY ITEMS SUCH AS CIRCULAR SAW BLADES, DRILL BITS, ROUTER BITS, JIGSAW BLADES, SANDING BELTS, GRINDING WHEELS AND OTHER RELATED ITEMS.

ANY IMPLIED WARRANTIES SHALL BE LIMITED IN DURATION TO ONE YEAR FROM DATE OF PURCHASE. SOME STATES IN THE U.S., SOME CANADIAN PROVINCES DO NOT ALLOW LIMITATIONS ON HOW LONG AN IMPLIED WARRANTY LASTS, SO THE ABOVE LIMITATION MAY NOT APPLY TO YOU.

IN NO EVENT SHALL SELLER BE LIABLE FOR ANY INCIDENTAL OR CONSEQUENTIAL DAMAGES (INCLUDING BUT NOT LIMITED TO LIABILITY FOR LOSS OF PROFITS) ARISING FROM THE SALE OR USE OF THIS PRODUCT. SOME STATES IN THE U.S. AND SOME CANADIAN PROVINCES DO NOT ALLOW THE EXCLUSION OR LIMITATION OF INCIDENTAL OR CONSEQUENTIAL DAMAGES, SO THE ABOVE LIMITATION OR EXCLUSION MAY NOT APPLY TO YOU.

THIS LIMITED WARRANTY GIVES YOU SPECIFIC LEGAL RIGHTS, AND YOU MAY ALSO HAVE OTHER RIGHTS WHICH VARY FROM STATE TO STATE IN THE U.S., PROVINCE TO PROVINCE IN CANADA AND FROM COUNTRY TO COUNTRY.

THIS LIMITED WARRANTY APPLIES ONLY TO PORTABLE AND BENCHTOP ELECTRIC TOOLS SOLD WITHIN THE UNITED STATES OF AMERICA, CANADA AND THE COMMONWEALTH OF PUERTO RICO. FOR WARRANTY COVERAGE WITHIN OTHER COUNTRIES, CONTACT YOUR LOCAL BOSCH DEALER OR IMPORTER.

GARANTIE LIMITÉE DES OUTILS ÉLECTRIQUES PORTATIFS ET D'ÉTABLI BOSCH

Robert Bosch Tool Corporation (le « vendeur ») garantit à l'acheteur initial seulement que tous les outils électriques portatifs et d'établi BOSCH seront exempts de vices de matériaux ou d'exécution pendant une période d'un an depuis la date d'achat. LA SEULE OBLIGATION DU VENDEUR ET LE SEUL RECOURS DE L'ACHETEUR sous la présente garantie limitée, et en autant que la loi le permette sous toute garantie ou condition implicite qui en découlerait, sera l'obligation de remplacer ou réparer gratuitement les pièces défectueuses matériellement ou comme fabrication, pourvu que lesdites défectosités ne soient pas attribuables à un usage abusif ou à quelque réparation bricolée par quelqu'un d'autre que le vendeur ou le personnel d'une station-service agréée. Pour présenter une réclamation en vertu de cette garantie limitée, vous devez renvoyer l'outil électrique portatif ou d'établi complet, port payé, à tout centre de service agréé ou centre de service usine. Veuillez consulter votre annuaire téléphonique pour les adresses.

LA PRÉSENTE GARANTIE NE S'APPLIQUE PAS AUX ACCESSOIRES TELS QUE LAMES DE SCIES CIRCULAIRES, MÊCHES DE PERCEUSES, FERS DE TOUPIES, LAMES DE SCIES SAUTEUSES, COURROIES DE PONÇAGE, MEULES ET AUTRES ARTICLES DU GENRE.

TOUTE GARANTIE IMPLICITE SERA LIMITÉE COMME DURÉE À UN AN À COMPTER DE LA DATE D'ACHAT. CERTAINS ÉTATS AMÉRICAINS, CERTAINES PROVINCES CANADIENNES N'ADMETTANT PAS LE PRINCIPE DE LA LIMITATION DE LA DURÉE DES GARANTIES IMPLICITES, IL EST POSSIBLE QUE LES LIMITATIONS CI-DESSUS NE S'APPLIQUENT PAS À VOTRE CAS.

EN AUCUN CAS LE VENDEUR NE SAURAIT ÊTRE TENU POUR RESPONSABLE DES INCIDENTS OU DOMMAGES INDIRECTS (INCLUANT, MAIS NE SE LIMITANT PAS AUX PERTES DE PROFITS) CONSÉCUTIFS À LA VENTE OU L'USAGE DE CE PRODUIT. CERTAINS ÉTATS AMÉRICAINS ET CERTAINES PROVINCES CANADIENNES N'ADMETTANT PAS LE PRINCIPE DE LA LIMITATION NI L'EXCLUSION DES DOMMAGES INDIRECTS ET CONSÉQUENTIELS, IL EST POSSIBLE QUE LES LIMITATIONS OU EXCLUSIONS CI-DESSUS NE S'APPLIQUENT PAS À VOTRE CAS.

LA PRÉSENTE GARANTIE VOUS ACCORDE DES DROITS BIEN DÉTERMINÉS, Y COMPRIS POSSIBLEMENT CERTAINS DROITS VARIABLES DANS LES DIFFÉRENTS ÉTATS AMÉRICAINS, PROVINCES CANADIENNES.

CETTE GARANTIE LIMITÉE NE S'APPLIQUE QU'ÀUX OUTILS ÉLECTRIQUES PORTATIFS ET D'ÉTABLI VENDUS AUX ÉTATS-UNIS D'AMÉRIQUE, AU CANADA ET AU COMMONWEALTH DE PORTO RICO. POUR COUVERTURE DE GARANTIE DANS LES AUTRES PAYS, CONTACTEZ VOTRE IMPORTATEUR OU REVENEUR BOSCH LOCAL.

GARANTIA LIMITADA PARA HERRAMIENTAS MECANICAS PORTATILES Y PARA TABLERO DE BANCO BOSCH

Robert Bosch Tool Corporation ("el Vendedor") garantiza, únicamente al comprador original, que todas las herramientas mecánicas portátiles y para tablero de banco BOSCH estarán libres de defectos de material o de fabricación durante un período de un año a partir de la fecha de compra. LA ÚNICA OBLIGACION DEL VENDEADOR Y EL RECURSO EXCLUSIVO QUE USTED TIENE bajo esta Garantía Limitada y, hasta donde la ley lo permita, bajo cualquier garantía o condición implícita por ley, consistirá en la reparación o sustitución sin costo de las piezas que presenten defectos de material o de fabricación y que no hayan sido utilizadas incorrectamente, manejadas descuidadamente o reparadas incorrectamente por personas que no sean el Vendedor o una Estación de servicio autorizada. Para efectuar una reclamación bajo esta Garantía Limitada, usted debe devolver el producto, que consiste en la herramienta mecánica portátil o para tablero de banco completa, con el transporte pagado, a cualquier Centro de servicio de fábrica o Estación de servicio autorizada. Para Estaciones de servicio autorizadas de herramientas mecánicas BOSCH, por favor, consulte el directorio telefónico.

ESTA GARANTIA LIMITADA NO SE APLICA A ARTICULOS ACCESORIOS TALES COMO HOJAS PARA SIERRAS CIRCULARES, BROCAS PARA TALADROS, BROCAS PARA FRESADORAS, HOJAS PARA SIERRAS DE VAIVEN, CORREAS PARA LIJAR, RUEDAS DE AMOLAR Y OTROS ARTICULOS RELACIONADOS.

TODAS LAS GARANTIAS IMPLICITAS TENDRAN UNA DURACION LIMITADA A UN AÑO A PARTIR DE LA FECHA DE COMPRA. ALGUNOS ESTADOS DE LOS EE.UU., ALGUNAS PROVINCIAS CANADIENSES NO PERMITEN LIMITACIONES EN CUANTO A LA DURACION DE UNA GARANTIA IMPLICITA, POR LO QUE ES POSIBLE QUE LA LIMITACION ANTERIOR NO SEA APLICABLE EN EL CASO DE USTED.

EL VENDEADOR NO SERA RESPONSABLE EN NINGUN CASO DE NINGUN DAÑO INCIDENTAL O EMERGENTE (INCLUYENDO PERO NO LIMITADO A RESPONSABILIDAD POR PERDIDA DE BENEFICIOS) QUE SE PRODUZCA COMO CONSECUENCIA DE LA VENTA O UTILIZACION DE ESTE PRODUCTO. ALGUNOS ESTADOS DE LOS EE.UU. Y ALGUNAS PROVINCIAS CANADIENSES NO PERMITEN LA EXCLUSION O LIMITACION DE LOS DAÑOS INCIDENTALES O EMERGENTES, POR LO QUE ES POSIBLE QUE LA LIMITACION O EXCLUSION ANTERIOR NO SEA APLICABLE EN EL CASO DE USTED.

ESTA GARANTIA LIMITADA LE CONFIERE A USTED DERECHOS LEGALES ESPECIFICOS Y ES POSIBLE QUE USTED TAMBIEN TENGA OTROS DERECHOS QUE VARIAN DE ESTADO A ESTADO EN LOS EE.UU., DE PROVINCIA A PROVINCIA EN CANADA.

ESTA GARANTIA LIMITADA SE APLICA SOLAMENTE A HERRAMIENTAS ELECTRICAS PORTATILES Y PARA TABLERO DE BANCO VENDIDAS EN LOS ESTADOS UNIDOS DE AMERICA, CANADA Y EL ESTADO LIBRE ASOCIADO DE PUERTO RICO. PARA COBERTURA DE GARANTIA EN OTROS PAISES, PONGASE EN CONTACTO CON SU DISTRIBUIDOR O IMPORTADOR LOCAL DE BOSCH.

© Robert Bosch Tool Corporation 1800 W. Central Road Mt. Prospect, IL 60056 -2230

Exportado por: Robert Bosch Tool Corporation Mt. Prospect, IL 60056 -2230, E.U.A.

Importado en México por: Robert Bosch, S.A. de C.V., Calle Robert Bosch No. 405, Zona Industrial, Toluca, Edo. de México, C.P. 50070, Tel. (722) 2792300

2610917132 10/03

Printed in U.S.A.

Free Manuals Download Website

<http://myh66.com>

<http://usermanuals.us>

<http://www.somanuals.com>

<http://www.4manuals.cc>

<http://www.manual-lib.com>

<http://www.404manual.com>

<http://www.luxmanual.com>

<http://aubethermostatmanual.com>

Golf course search by state

<http://golfingnear.com>

Email search by domain

<http://emailbydomain.com>

Auto manuals search

<http://auto.somanuals.com>

TV manuals search

<http://tv.somanuals.com>