

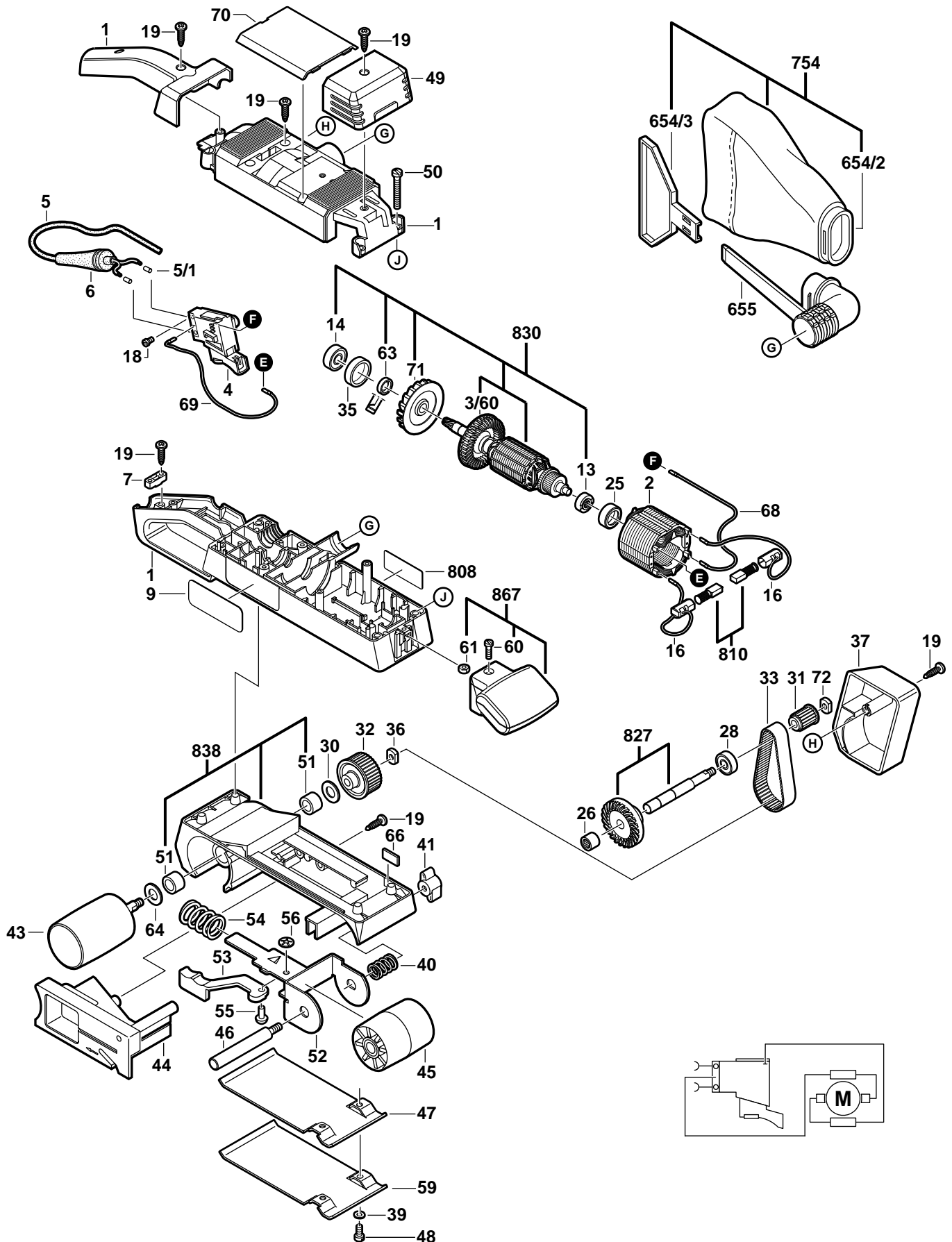
BOSCH

May 1997
INDUSTRIAL

3" x 21" BELT SANDER

Model 0601274739

1274DVS



1274DVS 3" x 21" BELT SANDER

Pos.	Part Number	Description {Qty}	F/C	Pos.	Part Number	Description {Qty}	F/C
1	2 605 104 549	Motor Housing	71	51	1 900 301 018	Bushing {2}	37
2	2 604 220 479	Field 120V	22	52	1 605 807 013	Pulley Fork	62
3/60	2 606 610 049	Fan	23	53	1 602 098 006	Belt Change Lever	64
4	2 607 200 385	Switch VS	1	54	1 604 619 017	Tension Spring	27
5	3 604 460 555	Cord 120V 18/2	11	55	2 917 030 710	Rivet	80
5/1	1 900 452 012	Terminal {2}	10	56	1 600 146 001	Lock Washer {2}	89
6	2 600 703 018	Strain Relief	11	59	2 601 098 037	Platten Plate	92
7	2 601 035 001	Cord Clamp	89	60	2 910 021 126	Screw	89
9	2 610 991 968	Label "1274DVS"	9	61	2 915 011 005	Nut	89
13	2 605 805 004	Needle Bearing	60	63	2 600 290 033	Seal	77
14	1 610 905 011	Ball Bearing	61	* 64	1 600 101 618	Shim 0.3mm {2}	65
16	2 604 449 026	Brush Holder w/Cable {2}	25	* 64.1	3 600 100 005	Shim 0.5mm	65
18	2 603 410 001	Screw {2}	89	66	1 601 010 007	Guide Plate	87
19	2 910 611 020	Screw {12}	89	68	1 604 438 018	Cable 410mm	10
25	1 600 502 020	Rubber Bearing Sleeve	82	69	1 604 448 000	Cable 370mm	10
26	2 600 910 001	Needle Bearing	56	70	1 605 500 120	Motor Housing Cover	70
28	2 600 905 052	Ball Bearing	61	71	1 606 610 120	Air Deflector	24
30	2 600 100 099	Washer	65	72	2 603 342 004	Nut R.H.	85
31	2 606 625 022	Toothed Pulley	36	+ 200	1 610 712 034	Shrink Tube {4}	22
32	2 606 625 021	Toothed Pulley	36	+ 201	2 610 991 976	Label "Caution"	9
33	2 604 736 010	Drive Belt	50	654/2	2 608 040 103	Dust Bag Adaptor	9
35	1 600 206 024	Rubber Bearing Sleeve	82	654/3	2 608 040 102	Dust Bag Support	9
36	2 603 342 006	Nut L.H.	85	655	2 605 702 029	Elbow	9
37	1 605 510 150	Drive Belt Cover	70	754	2 605 411 096	Dust Bag Assembly w/pos. 654/2, 654/3	9
39	2 918 650 007	Washer {2}	65	808	1 601 106 999	Nameplate	9
40	2 604 630 002	Tracking Spring	27	810	2 604 321 905	Brush Set	26
41	2 603 339 005	Knob	63	827	2 606 333 900	Drive Shaft w/Gear	32
43	2 606 625 020	Drive Pulley	50	830	2 604 010 934	Armature w/Fan 120V 3/60, 13, 14, 63, 71	AW
44	1 608 005 004	Cover	70	838	2 605 190 900	Housing Assembly w/pos. 51	38
45	2 606 625 019	Driven Pulley	48	867	1 607 000 916	Handle Assembly w/pos. 60, 61	74
46	1 603 521 027	Axle	54				
47	2 601 098 040	Base Plate	88				
48	2 603 410 045	Screw {2}	89				
49	1 605 500 122	Brush Cover	70				
50	2 910 011 170	Screw {4}	89				

Service Notes:

BOSCH

July 1999
TECHNICAL
BULLETIN

Section 4 - Sanders/Grinders

"New Dust Bag"

model(s) affected

1274DVS
3270DVS
3270D
B7350

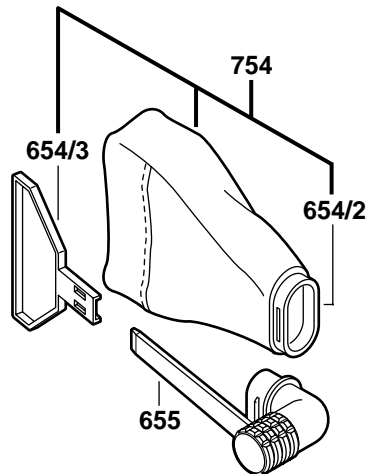
To: All Authorized and Factory Service Centers,
Field Sales and Internal Support Personnel

Re: New Dust Bag for models 1274DVS (060 1274 739)
3270DVS (060 3270 739)
3270D (060 3270 039)
B7350 (060 3270 735)

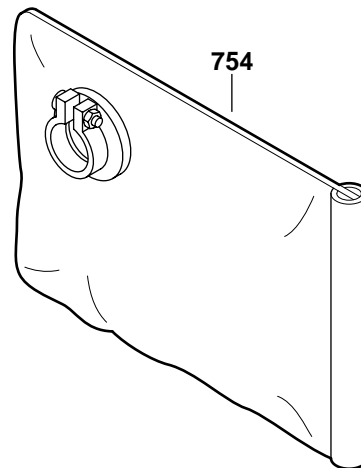
Please insert this bulletin into the "Technical Bulletins" section of your Bosch Parts Manual, only after making any additions or notes to your Illustrated Parts List(s).

Please be advised that a new dust bag is now available for the above listed models. Part Number 2605 411 023 (dust bag assembly 754) replaces 2605 411 096 (dust bag assembly 754) for these models only, and eliminates the need for 2605 702 029 (elbow 655). The new dust bag helps reduce static build up and should be used in situations where static shock is an issue. The old dust bag and elbow will remain available and can still be used if preferred by the customer.

OLD
2605 411 096



NEW
2605 411 023



All questions should be directed to your Authorized Service Manager.

Product Service Department

To: All Authorized and Factory Service Centers,
Field Sales and Internal Support Personnel

Re: Drive Pulley change for model 1274DVS (060 1274 739)

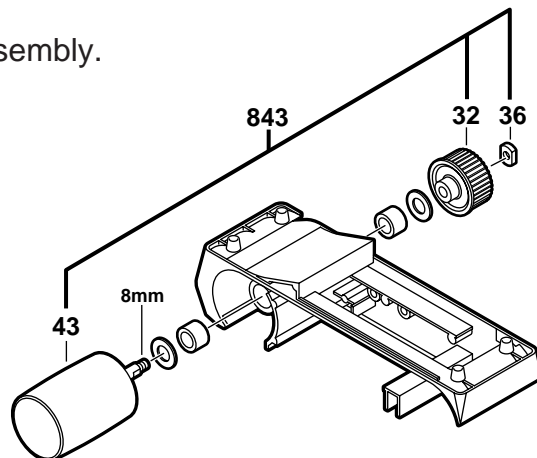
Please insert this bulletin into the "Technical Bulletins" section of your Bosch Parts Manual, only after making any additions or notes to your Illustrated Parts List(s).

This bulletin replaces a similar bulletin dated January 1998. The January bulletin indicated these changes affected models 3270D, 3270DVS, and B7350. Please note that these changes do not apply to those models. The 1274DVS is the only model requiring this information.

Please be advised that a change has been made to the Drive Pulley and related parts for the above listed models. The thread diameter on the pulley shaft has increased from 6mm to 8mm.

<u>Pos.</u>	<u>Old Parts (6mm)</u>	<u>New Parts (8mm)</u>	<u>Description</u>
32	2 606 625 021 *	2 606 625 032	Toothed Pulley
36	2 603 342 006	2 603 300 012	Nut L.H.
43	2 606 625 020 *	Not Available	Drive Pulley
843	Not Available	2 606 625 904	Drive Pulley Assembly

* No longer available separately.
Use 2 606 625 904 Drive Pulley Assembly.



All questions should be directed to your Authorized Service Manager.

Product Service Department

Free Manuals Download Website

<http://myh66.com>

<http://usermanuals.us>

<http://www.somanuals.com>

<http://www.4manuals.cc>

<http://www.manual-lib.com>

<http://www.404manual.com>

<http://www.luxmanual.com>

<http://aubethermostatmanual.com>

Golf course search by state

<http://golfingnear.com>

Email search by domain

<http://emailbydomain.com>

Auto manuals search

<http://auto.somanuals.com>

TV manuals search

<http://tv.somanuals.com>