

**IMPORTANT:**  
Read Before Using

**IMPORTANT :**  
Lire avant usage

**IMPORTANTE:**  
Leer antes de usar



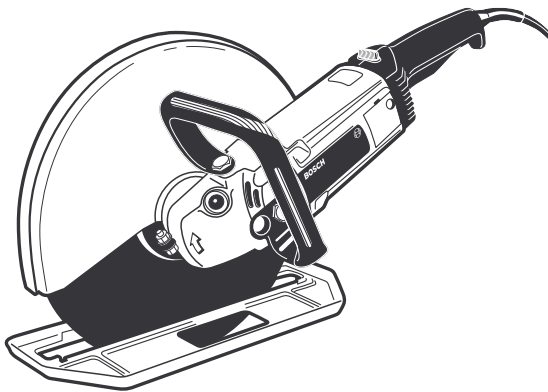
**Operating/Safety Instructions**

**Consignes de fonctionnement/sécurité**

**Instrucciones de funcionamiento y seguridad**

**1364**

**1365**



**BOSCH**

**Call Toll Free for  
Consumer Information  
& Service Locations**

**Pour obtenir des informations  
et les adresses de nos centres  
de service après-vente,  
appelez ce numéro gratuit**

**Llame gratis para  
obtener información  
para el consumidor y  
ubicaciones de servicio**

**1-877-BOSCH99 (1-877-267-2499) [www.boschtools.com](http://www.boschtools.com)**

**For English Version  
See page 2**

**Version française  
Voir page 13**

**Versión en español  
Ver la página 24**

## Power Tool Safety Rules



### WARNING

Read and understand all instructions. Failure to follow all instructions listed below, may result in electric shock, fire and/or serious personal injury.

### SAVE THESE INSTRUCTIONS


#### Work Area

**Keep your work area clean and well lit.** Cluttered benches and dark areas invite accidents.

**Do not operate power tools in explosive atmospheres, such as in the presence of flammable liquids, gases, or dust.** Power tools create sparks which may ignite the dust or fumes.

**Keep by-standers, children, and visitors away while operating a power tool.** Distractions can cause you to lose control.

#### Electrical Safety

**Double Insulated tools are equipped with a polarized plug (one blade is wider than the other.) This plug will fit in a polarized outlet only one way. If the plug does not fit fully in the outlet, reverse the plug. If it still does not fit, contact a qualified electrician to install a polarized outlet. Do not change the plug in any way.** Double Insulation  eliminates the need for the three wire grounded power cord and grounded power supply system. *Before plugging in the tool, be certain the outlet voltage supplied is within the voltage marked on the nameplate. Do not use "AC only" rated tools with a DC power supply.*

**Avoid body contact with grounded surfaces such as pipes, radiators, ranges and refrigerators.** There is an increased risk of electric shock if your body is grounded. If operating the power tool in damp locations is unavoidable, a Ground Fault Circuit Interrupter must be used to supply the power to your tool. Electrician's rubber gloves and footwear will further enhance your personal safety.

**Don't expose power tools to rain or wet conditions.** Water entering a power tool will increase the risk of electric shock.

**Do not abuse the cord. Never use the cord to carry the tools or pull the plug from an outlet. Keep cord away from heat, oil, sharp edges or moving parts. Replace damaged cords immediately.** Damaged cords increase the risk of electric shock.

**When operating a power tool outside, use an outdoor extension cord marked "W-A" or "W."** These cords are rated for outdoor use and reduce the risk of electric shock. Refer to "Recommended sizes of Extension Cords" in the Accessory section of this manual.

#### Personal Safety

**Stay alert, watch what you are doing and use common sense when operating a power tool. Do not use tool while tired or under the influence of drugs, alcohol, or medication.** A moment of inattention while operating power tools may result in serious personal injury.

**Dress properly. Do not wear loose clothing or jewelry. Contain long hair. Keep your hair, clothing, and gloves away from moving parts. Loose clothes, jewelry, or long hair can be caught in moving parts.** Keep handles dry, clean and free from oil and grease.

**Avoid accidental starting. Be sure switch is "OFF" before plugging in.** Carrying tools with your finger on the switch or plugging in tools that have the switch "ON" invites accidents.

**Remove adjusting keys or wrenches before turning the tool "ON".** A wrench or a key that is left attached to a rotating part of the tool may result in personal injury.

**Do not overreach. Keep proper footing and balance at all times.** Proper footing and balance enables better control of the tool in unexpected situations.

**Use safety equipment. Always wear eye protection.** Dust mask, non-skid safety shoes, hard hat, or hearing protection must be used for appropriate conditions.

#### Tool Use and Care

**Use clamps or other practical way to secure and support the workpiece to a stable platform.** Holding the work by hand or against your body is unstable and may lead to loss of control.

**Do not force tool. Use the correct tool for your application.** The correct tool will do the

job better and safer at the rate for which it is designed.

**Do not use tool if switch does not turn it "ON" or "OFF".** Any tool that cannot be controlled with the switch is dangerous and must be repaired.

**Disconnect the plug from the power source before making any adjustments, changing accessories, or storing the tool.** Such preventive safety measures reduce the risk of starting the tool accidentally.

**Store idle tools out of reach of children and other untrained persons.** Tools are dangerous in the hands of untrained users.

**Maintain tools with care. Keep cutting tools sharp and clean.** Properly maintained tools, with sharp cutting edges are less likely to bind and are easier to control. Any alteration or modification is a misuse and may result in a dangerous condition.

**Check for misalignment or binding of moving parts, breakage of parts, and any other condition that may affect the tools operation. If damaged, have the tool**

**serviced before using.** Many accidents are caused by poorly maintained tools. Develop a periodic maintenance schedule for your tool.

**Use only accessories that are recommended by the manufacturer for your model.** Accessories that may be suitable for one tool, may become hazardous when used on another tool.

### Service

**Tool service must be performed only by qualified repair personnel.** Service or maintenance performed by unqualified personnel could result in a risk of injury. For example: internal wires may be misplaced or pinched, safety guard return springs may be improperly mounted.

**When servicing a tool, use only identical replacement parts. Follow instructions in the Maintenance section of this manual.** Use of unauthorized parts or failure to follow Maintenance Instructions may create a risk of electric shock or injury. Certain cleaning agents such as gasoline, carbon tetrachloride, ammonia, etc. may damage plastic parts.

## Abrasive Cut-Off Machine Safety Rules

**Always use wheel guard, foot plate and auxiliary handle with this abrasive cut off machine. The guard must always be securely attached to the tool and positioned for maximum safety, so the least amount of wheel is exposed on the operators side of the tool.** A guard protects operator from broken wheel fragments. The foot plate and auxiliary handle provide additional guarding, stability and control in cut off applications.

**Abrasive cut off wheels must be rated for at least the speed recommended on the tool warning label.** Wheels and other accessories running over rated speed can fly apart and cause injury.

**Hold tool by insulated gripping surfaces when performing an operation where the abrasive wheels may contact hidden wiring or its own cord.** Contact with a "live" wire will make exposed metal parts of the tool "live" and shock the operator.

**Always be certain that the wheel guard, foot plate and auxiliary handle are reassembled and securely fastened to the**

**machine when changing the point of operation from fire forward to fire reverse or after changing the wheels.** A tool missing an essential safety component is dangerous to operate.

**Wear proper apparel while using an abrasive cut off machine.** Face shield or at least safety goggles, dust mask, leather gloves and shop apron capable of stopping small wheel or workpiece fragments.

**This machine is not intended to be used with Wet Diamond Wheels.** Using water or other liquid coolants with this machine may result in electrocution or shock. Use of Dry Diamond Wheels is acceptable.

**Use only Type 1 abrasive cut off wheels with the correct size arbor hole. Never use damaged or incorrect wheel flanges or round nut.** Other types of wheels are not intended to apply load on periphery and may shatter. Wheels with arbor holes that do not match the mounting hardware of the tool will run eccentrically, vibrate excessively and will cause loss of control.

**Do not grind on the side of Type 1 abrasive cut off wheels.** Side forces applied to these wheels may cause them to shatter.

**Do not use this tool with “Woodcarving” blade or standard wood cutting toothed blades.** These blades are not intended for this machine and can create loss of control during use.

**Abrasive Cut Off Wheels must have a maximum safe operating speed greater than the “no load RPM” marked on the tool’s nameplate.** Wheels running over the rated speed can fly apart and cause injury.

**Before each use inspect the cut off wheel for chips and cracks. Do not use a wheel that may be damaged. Install a new wheel if tool was dropped. When installing a new wheel carefully handle individual cut off wheels to avoid chipping or cracking. Run the tool at no load for one minute, holding the tool in the direction away from people. Wheels with flaws will normally break apart during this time. Fragments from a wheel that bursts during operation will fly away at great velocity possibly striking you or bystanders.**

**Do not use a cut off wheel that is larger than the maximum recommended size for your tool, or worn down damaged wheels from larger abrasive cut off machines.** Wheels intended for larger tools are not suitable for the higher speed of a smaller tool, these wheels may easily burst and the fragments strike you or bystanders.

**Position the cord clear of the spinning wheel. Do not wrap the cord around your arm or wrist.** If you lose control and have the cord wrapped around your arm or wrist, it may entrap you and cause injury.

**Keep your body positioned to either side of the wheel, but not in line with the wheel.** It is important to support the tool properly and to position your body such as to minimize body exposure from the possible wheel binding and the recoil of the tool.

**Keep hands away from cutting area and wheel. Keep your second hand on auxiliary handle. Hold the machine firmly to prevent loss of control. NEVER place your hand behind the wheel since the machine may recoil over your hand. Do not attempt to remove cut material when wheel is moving.** If both hands are holding the machine, they cannot be cut by the wheel

**Do not “jam” the abrasive wheel into the work, apply excessive pressure or attempt to use large depths of cut while using this machine.** Let the rotating wheel do the work, Abrasive Cut Off Machines are intended to “cut” the material in a series of shallow depth of cuts. See the instructions for depth of cut later in this manual.

**Avoid bouncing and snagging the wheel, especially when working corners, sharp edges etc.** This can cause loss of control and machine’s recoil.

**Do not run the machine while carrying it at your side.** Accidental contact with the spinning wheel could result in serious personal injury.

**Never lay the tool down until the motor has come to a complete standstill.** The spinning wheel can grab the surface and pull the tool out of your control.

**Do not use the abrasive cut off machine near flammable materials.** Sparks from the wheel could ignite these materials.

**Never cut or attempt to cut magnesium with this tool.** The dust generated when cutting magnesium is highly flammable and may be explosive under certain conditions.

**Regularly clean the tool’s air vents by compressed air.** Excessive accumulation of powdered metal inside the motor housing may cause electrical failures.

**Causes and Operator Prevention of Recoil:**  
*Recoil is a sudden reaction to a pinched, bound or misaligned rotating wheel. The wheel may stall and cause an uncontrolled machine to **back out** of the kerf toward the operator when the machine is in the “fire forward” position, if the machine is set in the “reverse fire” position the machine may tend to **walk away** from the operator.*

*If an abrasive wheel or diamond wheel becomes twisted or misaligned in the cut, the side of the wheel that is entering into the material can dig into the top surface of the material causing the wheel to **climb out or recoil out** of the kerf either toward or away from the operator, depending on the **fire forward or reverse fire** orientation.*

*Abrasive wheels may also shatter under these conditions causing pieces or fragments to strike or impale the operator and bystanders. Recoil or shattered wheels are the result of tool misuse and/or incorrect operating procedures or conditions and can*

be avoided by taking proper precautions as given below:

**Maintain a firm grip with both hands on the machine handles and position your body and arm to allow you to resist recoil forces.** Recoil forces can be controlled by the operator, if proper precautions are taken.

**When wheel is binding, or when interrupting a cut for any reason, release the trigger and hold the machine motionless in the material until the wheel comes to a complete stop. Never attempt to remove the machine from the work while the wheel is in motion or recoil may occur.** Investigate and take corrective action to eliminate the cause of wheel binding.

**When restarting a machine in a workpiece, center the wheel in the kerf and check that the sides of the wheel are not engaged into the material.** If wheel is binding, it may walk up or recoil from the workpiece as the machine is restarted.

**Support large panels to minimize the risk of wheel pinching and recoil.** Large panels tend to sag under their own weight. Supports must be placed under the panel on both sides, near the line of cut and near the edge of the panel.

**Wheel depth adjusting locking levers/nuts must be tight and secure before making a cut.** If depth adjustment shifts while cutting, it may cause binding and recoil. Using the

machine with an excessive depth of cut setting increases loading on the unit and susceptibility to twisting of the wheel in the kerf. It also increases the surface area of the wheel available for pinching under wheel twisting conditions or misalignment.

**Use extra caution when making a “Pocket Cut” into existing walls or other blind areas.** The protruding wheel may cut objects that can cause recoil.




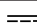
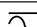







**⚠ WARNING** Some dust created by power sanding, sawing, grinding, drilling, and other construction activities contains chemicals known to cause cancer, birth defects or other reproductive harm. Some examples of these chemicals are:

- Lead from lead-based paints,
- Crystalline silica from bricks and cement and other masonry products, and
- Arsenic and chromium from chemically-treated lumber.

Your risk from these exposures varies, depending on how often you do this type of work. To reduce your exposure to these chemicals: work in a well ventilated area, and work with approved safety equipment, such as those dust masks that are specially designed to filter out microscopic particles.

## Symbols

**IMPORTANT:** Some of the following symbols may be used on your tool. Please study them and learn their meaning. Proper interpretation of these symbols will allow you to operate the tool better and safer.

Symbol	Name	Designation/Explanation
V	Volts	Voltage (potential)
A	Amperes	Current
Hz	Hertz	Frequency (cycles per second)
W	Watt	Power
kg	Kilograms	Weight
min	Minutes	Time
s	Seconds	Time
∅	Diameter	Size of drill bits, grinding wheels, etc.
$n_0$	No load speed	Rotational speed, at no load
n	Rated speed	Manufacturers rated speed
.../min	Revolutions or reciprocation per minute	Revolutions, strokes, surface speed, orbits etc. per minute
0	Off position	Zero speed, zero torque...
1, 2, 3, ... I, II, III,	Selector settings	Speed, torque or position settings. Higher number means greater speed
	Infinitely variable selector with off	Speed is increasing from 0 setting
	Arrow	Action in the direction of arrow
	Alternating current	Type or a characteristic of current
	Direct current	Type or a characteristic of current
	Alternating or direct current	Type or a characteristic of current
	Class II construction	Designates Double Insulated Construction tools.
	Earthing terminal	Grounding terminal
	Warning symbol	Alerts user to warning messages
	Li-ion RBRC seal	Designates Li-ion battery recycling program
	Ni-Cad RBRC seal	Designates Ni-Cad battery recycling program
	Read manual symbol	Alerts user to read manual
	Wear eye protection symbol	Alerts user to wear eye protection

## Symbols (continued)

**IMPORTANT:** Some of the following symbols may be used on your tool. Please study them and learn their meaning. Proper interpretation of these symbols will allow you to operate the tool better and safer.



This symbol designates that this tool is listed by Underwriters Laboratories.



This symbol designates that this tool is listed by Underwriters Laboratories, to United States and Canadian Standards.



This symbol designates that this tool is listed by the Canadian Standards Association.



This symbol designates that this tool is listed by the Canadian Standards Association, to United States and Canadian Standards.



This symbol designates that this tool is listed by the Intertek Testing Services, to United States and Canadian Standards.

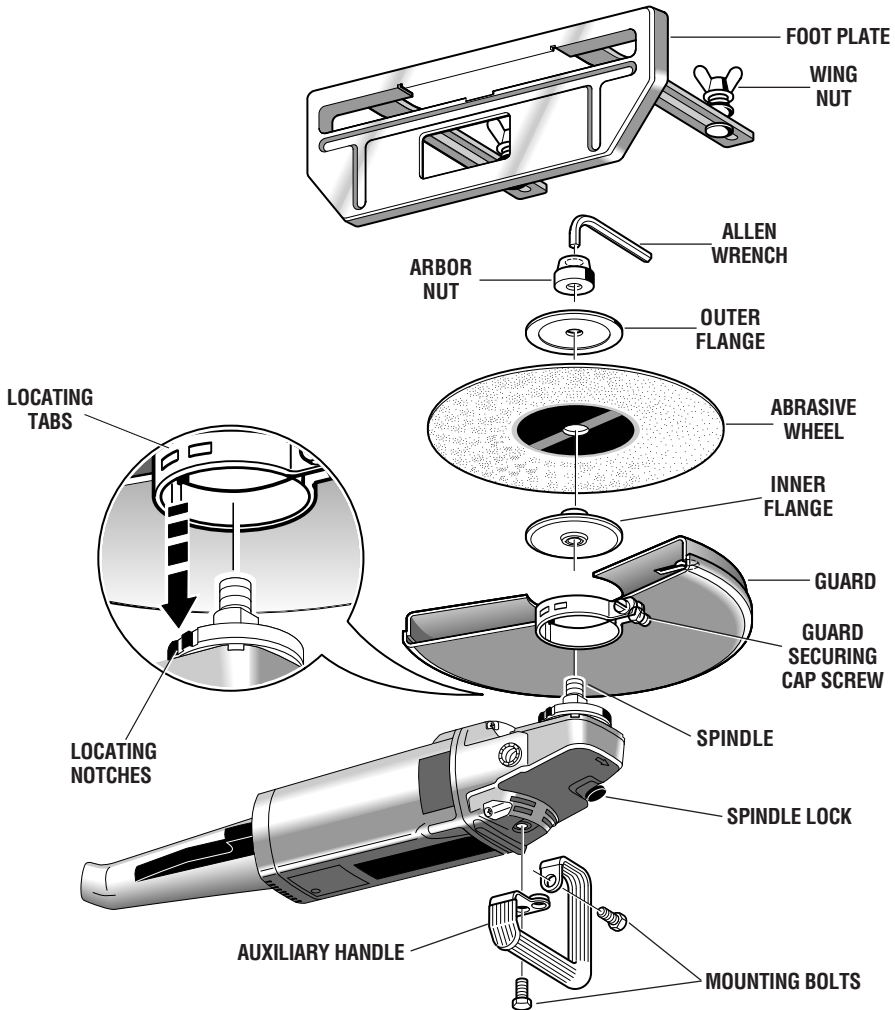


This symbol designates that this tool complies to NOM Mexican Standards.

## Functional Description and Specifications

**⚠ WARNING** Disconnect the plug from the power source before making any assembly, adjustments or changing accessories. Such preventive safety measures reduce the risk of starting the tool accidentally.

### Abrasive Cut-Off Machine



Model No.	1364	1365
Maximum capacities		
Abrasive wheel	12"	14"
Max. Cutting Depth	3-7/8"	4-7/8"
Arbor	7/8"	7/8" & 1"
No load RPM	5,000	4,300

**NOTE:** For tool specifications refer to the nameplate on your tool.



## Assembly

**⚠ WARNING** To prevent serious personal injury, always disconnect the plug from power source before changing wheels, or making any adjustments.

### INSTALLING ABRASIVE WHEELS

Always use the arbor nut that has same thread size as spindle.

1. Install inner flange onto spindle, with recess in back side of flange engaging matching area on spindle.
2. Install abrasive wheel onto spindle.

3. Install outer flange with flat side out.

4. Thread arbor nut provided onto spindle finger tight, depress spindle lock and tighten wheel with the wrench provided.

**⚠ WARNING** Do not overtighten. Cracks in the wheel can occur if overtightened.

**⚠ CAUTION** Do not depress spindle lock while the tool is running.

## Operating Instructions

**⚠ WARNING** Always use wheel guard, foot plate and auxiliary handle with this abrasive cut off machine.

### PADDLE SWITCH WITH "LOCK-OFF" FEATURE

The Paddle Switch enables the operator to control switch functions of "Lock-Off", and "ON/OFF".

**TO UNLOCK SWITCH AND TURN TOOL "ON":** Push the paddle lever FORWARD (toward the spindle) then squeeze the paddle lever.

**TO SWITCH TOOL "OFF":** Release pressure on the paddle lever. The switch is spring loaded and will return to "OFF" position automatically.

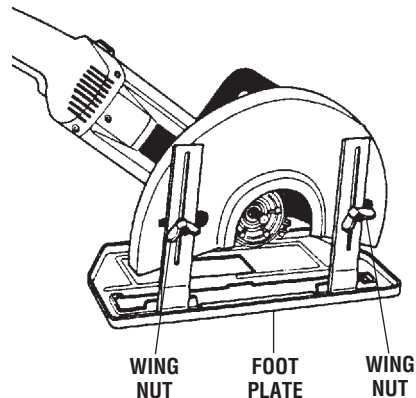
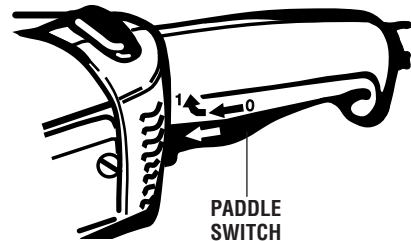
### SIDE HANDLE

The side handle, used to guide and balance the tool can be bolted to either side of the spindle housing depending on personal preference and comfort. Always use the side handle for maximum control and ease of operation.

### ADJUSTING DEPTH OF CUT

Loosen wing nuts, raise or lower foot plate to desired depth, and securely tighten wing nuts by hand.

**⚠ WARNING** To prevent recoil and damage to the tool, always adjust the foot plate to a depth of so the inner or outer flanges never contacts the workpiece surface.



## OPERATING THE TOOL

Following a few simple tips will reduce wear on the tool and it will reduce the chance of injury to the operator.

**⚠ WARNING** This machine is not intended to be used with Wet Diamond Wheels. Using water or other liquid coolants with this machine may result in electrocution or shock. Use of Dry Diamond Wheels is acceptable.

## APPLICATIONS

This tool is intended for cutting the following materials.

1/8" maximum thick sheet steel.

Concrete cinder blocks and bricks.

Reinforcing rod-generally under 3/4" diameter.

1/8" concrete wire mesh.

Corrugated floor and ceiling forms (concrete forms).

Electrical conduit 1/8" wall thickness.

1/8" maximum thick structural forms such as: channels, angles, plate and etc.

## ABRASIVE WHEELS

Use aluminum oxide wheels for cutting metal.

Use silicon carbide wheels for cutting masonry.

Use dry diamond wheels for cutting concrete. Dry diamond wheel stay cooler, clogs less and last longer.

1 Before running a cut-off machine, inspect the cutting wheel for chips or cracks. Replace bad wheels immediately. New wheels should be run in at no load or at least a minute in direction away from the presence of other people. Imperfect wheels will normally break apart during this time.

2. An abrasive cut-off machine must NEVER be operated without the attached guard secured in place. The guard should be rotated into the position where maximum protection is provided for the operator from sparks and wheel periphery.

3. Proper apparel for operating the tool includes eye protection, leather gloves, dust mask and a shop apron.

4. With the tool in the "OFF" position, become familiar with handling the tool. Control the head of the tool with the side handle. Control the cutting edge of the wheel with the switch handle. Always use both hands when operating the tool.

5. Never drop the tool. Set the tool down gently, but never on the wheel.

6. CUTTING CONCRETE will throw large amounts of dust into the surrounding area.

Protective dust masks are strongly recommended for breathing protection for the operator and other nearby workers.

7. Due to the size and weight of the cut-off machine it is not recommended to be used overhead or in any position that would not allow proper control. Ladders or scaffolding are not considered solid support structures.

8. Avoid overloading tool. Do not allow the wheel to bind or stall. Many cuts, especially into solid concrete, require successive passes. Do not expose any more abrasive wheel than necessary to cut with normal amount of pressure applied to tool. Begin cutting from the edge of the material, starting with about 1" wheel exposed. Do not force the tool; load it normally. Depending on material hardness and density, make successively deeper passes until cut is complete.

## FIRE FORWARD/FIRE REVERSE

Models 1364 & 1365 are shipped with abrasive Cutoff Machine set up in fire forward position. Both can be easily converted to fire reverse position without any additional accessories.

Fire forward position directs sparks, dust and debris away from the operator.

Fire reverse position changes direction of rotation so sparks, dust and debris are thrown toward the operator.

The proper fire position depends on how the tool is being held, direction of travel, and personal preference. Always remember the reason for this feature is to direct sparks, dust and debris away from the operator.

## FIRE REVERSE APPLICATIONS

Below are a few examples of when you may want to change your tool to the reverse fire position.

- When cutting in a vertical position to direct debris toward your feet instead of you face.
- When pulling the tool through the workpiece instead of pushing the tool.
- When working in confined areas close to a wall.
- Personal comfort.

### REVERSING FIRE DIRECTION

However we strongly recommend having this task performed by an authorized Bosch Service center.

1. Disconnect the plug from the power source.
2. Remove abrasive wheel.
3. Loosen wing nuts enough to allow screw heads to slide out of foot plate mounting holes provided in guard, and remove foot plate.
4. Remove the four gear housing screws and rotate gear housing 180°. Replace housing screws and securely tighten screws.

5. Loosen guard securing cap screw and rotate guard for maximum wheel coverage and securely tighten guard securing cap screw with the wrench provided.

6. Remove the auxiliary handle mounting bolts, reposition handle using auxiliary hole in handle, replace mounting bolts and securely tighten handle.
7. Re-assemble foot plate and abrasive wheel.

## Maintenance

### Service

**⚠ WARNING** Preventive maintenance performed by unauthorized personnel may result in misplacing of internal wires and components which could cause serious hazard. We recommend that all tool service be performed by a Bosch Factory Service Center or Authorized Bosch Service Station.

### TOOL LUBRICATION

Your Bosch tool has been properly lubricated and is ready to use. It is recommended that tools with gears be regreased with a special gear lubricant at every brush change.

### CARBON BRUSHES

The brushes and commutator in your tool have been engineered for many hours of dependable service. To maintain peak efficiency of the motor, we recommend every two to six months the brushes be examined. Only genuine Bosch replacement brushes specially designed for your tool should be used.

### BEARINGS

After about 300-400 hours of operation, or at every second brush change, the bearings

should be replaced at Bosch Factory Service Center or Authorized Bosch Service Station. Bearings which become noisy (due to heavy load or very abrasive material cutting) should be replaced at once to avoid overheating or motor failure.

### Cleaning

**⚠ WARNING** To avoid accidents always disconnect the tool from the power supply before cleaning or performing any maintenance. The tool may be cleaned most effectively with compressed dry air. **Always wear safety goggles when cleaning tools with compressed air.**

Ventilation openings and switch levers must be kept clean and free of foreign matter. Do not attempt to clean by inserting pointed objects through openings.

**⚠ CAUTION** Certain cleaning agents and solvents damage plastic parts. Some of these are: gasoline, carbon tetrachloride, chlorinated cleaning solvents, ammonia and household detergents that contain ammonia.

## Extension Cords

**⚠ WARNING** If an extension cord is necessary, a cord with adequate size conductors that is capable of carrying the current necessary for your tool must be used. This will prevent excessive voltage drop, loss of power or overheating. Grounded tools must use 3-wire extension cords that have 3-prong plugs and receptacles.

**NOTE:** The smaller the gauge number, the heavier the cord.

### RECOMMENDED SIZES OF EXTENSION CORDS 120 VOLT ALTERNATING CURRENT TOOLS

Tool's Ampere Rating	Cord Size in A.W.G.				Wire Sizes in mm <sup>2</sup>			
	Cord Length in Feet				Cord Length in Meters			
	25	50	100	150	15	30	60	120
3-6	18	16	16	14	0.75	0.75	1.5	2.5
6-8	18	16	14	12	0.75	1.0	2.5	4.0
8-10	18	16	14	12	0.75	1.0	2.5	4.0
10-12	16	16	14	12	1.0	2.5	4.0	—
12-16	14	12	—	—	—	—	—	—

## Accessories

- |                     |                         |
|---------------------|-------------------------|
| Auxiliary handle *  | 6mm Allen wrench *      |
| Wheel guard *       | 7/8" Arbor nut *        |
| Foot plate *        | 1" Arbor nut *          |
| Inner flange *      | 20mm Lock nut **        |
| Outer flange *      | 22mm Open end wrench ** |
| 3/8" Allen wrench * | Metal case **           |

(\* = standard equipment)  
(\*\* = optional accessories)

## Règles de Sécurité Générales



### AVERTISSEMENT

**Vous devez lire et comprendre toutes les instructions.** Non-respect, même partiel, des instructions ci-après entraîne un risque de choc électrique, d'incendie et/ou de blessures graves.

### CONSERVEZ CES INSTRUCTIONS


#### Aire de travail

**Veillez à ce que l'aire de travail soit propre et bien éclairée.** Le désordre et le manque de lumière favorisent les accidents.

**N'utilisez pas d'outils électriques dans une atmosphère explosive, par exemple en présence de liquides, de gaz ou de poussières inflammables.** Les outils électriques créent des étincelles qui pourraient enflammer les poussières ou les vapeurs.

**Tenez à distance les curieux, les enfants et les visiteurs pendant que vous travaillez avec un outil électrique.** Ils pourraient vous distraire et vous faire faire une fausse manoeuvre.

#### Sécurité électrique

**Les outils à double isolation sont équipés d'une fiche polarisée (une des lames est plus large que l'autre), qui ne peut se brancher que d'une seule façon dans une prise polarisée. Si la fiche n'entre pas parfaitement dans la prise, inversez sa position ; si elle n'entre toujours pas bien, demandez à un électricien qualifié d'installer une prise de courant polarisée. Ne modifiez pas la fiche de l'outil.** La double isolation  élimine le besoin d'un cordon d'alimentation à trois fils avec mise à la terre ainsi que d'une prise de courant mise à la terre. *Avant de brancher l'outil, assurez-vous que la tension de la prise correspond, à celle indiquée sur la plaque signalétique. N'utilisez pas d'outils prévus pour courant alternatif seulement avec une source de courant continu.*

**Évitez tout contact corporel avec des surfaces mises à la terre (tuyauterie, radiateurs, cuisinières, réfrigérateurs, etc.).** Le risque de choc électrique est plus grand si votre corps est en contact avec la terre. Si l'utilisation de l'outil électrique dans un endroit humide est inévitable, un disjoncteur de fuite à la terre doit être utilisé pour alimenter votre outil. Des chaussures et des gants en caoutchouc d'électricien contribueront à accroître davantage votre sécurité personnelle.

**N'exposez pas les outils électriques à la pluie ou à l'eau.** La présence d'eau dans un outil électrique augmente le risque de choc électrique.

**Ne maltraitez pas le cordon. Ne transportez pas l'outil par son cordon et ne débranchez pas la fiche en tirant sur le cordon. N'exposez pas le cordon à la chaleur, à des huiles, à des arêtes vives ou à des pièces en mouvement. Remplacez immédiatement un cordon endommagé.** Un cordon endommagé augmente le risque de choc électrique.

**Lorsque vous utilisez un outil électrique à l'extérieur, employez un prolongateur pour l'extérieur marqué « W-A » ou « W ».** Ces cordons sont faits pour être utilisés à l'extérieur et réduisent le risque de choc électrique. Reportez-vous aux « Dimensions recommandées des cordons de rallonge » dans la section Accessoires de ce manuel.

#### Sécurité des personnes

**Restez alerte, concentrez-vous sur votre travail et faites preuve de jugement. N'utilisez pas un outil électrique si vous êtes fatigué ou sous l'influence de drogues, d'alcool ou de médicaments.** Un instant d'inattention suffit pour entraîner des blessures graves.

**Habillez-vous convenablement. Ne portez ni vêtements flottants ni bijoux. Confinez les cheveux longs. N'approchez jamais les cheveux, les vêtements ou les gants des pièces en mouvement.** Des vêtements flottants, des bijoux ou des cheveux longs risquent d'être happés par des pièces en mouvement. Gardez les poignées sèches, propres et exemptes d'huile et de graisse.

**Méfiez-vous d'un démarrage accidentel. Avant de brancher l'outil, assurez-vous que son interrupteur est sur ARRÊT.** Le fait de transporter un outil avec le doigt sur la détente ou de brancher un outil dont l'interrupteur est en position MARCHE peut mener tout droit à un accident.

**Enlevez les clés de réglage ou de serrage avant de démarrer l'outil.** Une clé laissée dans une pièce tournante de l'outil peut provoquer des blessures.

**Ne vous penchez pas trop en avant. Maintenez un bon appui et restez en équilibre en tout temps.** Une bonne stabilité vous permet de mieux réagir à une situation inattendue.

**Utilisez des accessoires de sécurité. Portez toujours des lunettes ou une visière.** Selon les conditions, portez aussi un masque antipoussière, des bottes de sécurité antidérapantes, un casque protecteur et/ou un appareil antibruit.

#### Utilisation et entretien des outils

**Immobilisez le matériau sur une surface stable au moyen de brides ou de toute autre façon adéquate.** Le fait de tenir la pièce avec la main ou contre votre corps offre une stabilité insuffisante et peut amener un dérapage de l'outil.

**Ne forcez pas l'outil. Utilisez l'outil approprié à la tâche.** L'outil correct fonctionne mieux et de façon plus

sécurité. Respectez aussi la vitesse de travail qui lui est propre.

**N'utilisez pas un outil si son interrupteur est bloqué.** Un outil que vous ne pouvez pas commander par son interrupteur est dangereux et doit être réparé.

**Débranchez la fiche de l'outil avant d'effectuer un réglage, de changer d'accessoire ou de ranger l'outil.** De telles mesures préventives de sécurité réduisent le risque de démarrage accidentel de l'outil.

**Rangez les outils hors de la portée des enfants et d'autres personnes inexpérimentées.** Les outils sont dangereux dans les mains d'utilisateurs novices.

**Prenez soin de bien entretenir les outils. Les outils de coupe doivent être toujours bien affûtés et propres.** Des outils bien entretenus, dont les arêtes sont bien tranchantes, sont moins susceptibles de coincer et plus faciles à diriger. Toute altération ou modification constitue un usage erroné et peut causer un danger.

**Soyez attentif à tout désalignement ou coincement des pièces en mouvement, à tout bris ou à toute autre condition préjudiciable au bon fonctionnement de l'outil. Si vous constatez qu'un outil est endommagé, faites-le réparer avant de vous en servir.** De nombreux

accidents sont causés par des outils en mauvais état. Élaborez un calendrier d'entretien périodique de votre outil.

**N'utilisez que des accessoires que le fabricant recommande pour votre modèle d'outil.** Certains accessoires peuvent convenir à un outil, mais être dangereux avec un autre.

## Réparation

**La réparation des outils électriques doit être confiée à un réparateur qualifié.** L'entretien ou la réparation d'un outil électrique par un amateur peut avoir des conséquences graves. Ainsi, des fils internes peuvent être mal placés ou pincés, des ressorts de rappel de protecteur peuvent être montés erronément.

**Pour la réparation d'un outil, n'employez que des pièces de rechange d'origine. Suivez les directives données à la section « Réparation » de ce manuel.** L'emploi de pièces non autorisées ou le non-respect des instructions d'entretien peut créer un risque de choc électrique ou de blessures. Certains agents nettoyants tels qu'essence, tétrachlorure de carbone, ammoniac, etc., peuvent abîmer les pièces en plastique.

## Consignes de sécurité de la machine à tronçonner à meule

**Utilisez toujours un protecteur de meule, une semelle et une poignée auxiliaire avec cette machine à tronçonner à meule. Le protecteur doit toujours être fixé solidement à l'outil et positionné en vue d'une sécurité maximale de manière à exposer le moins possible de meule sur le côté opérateur de l'outil.** Un protecteur protège l'opérateur contre les fragments brisés de meule. La semelle et la poignée auxiliaire assurent un niveau supérieur de protection, de stabilité et de contrôle dans les applications de tronçonnage.

**Les meules de tronçonnage doivent être prévus pour au moins la vitesse recommandée sur l'étiquette d'avertissement de l'outil.** Les meules et les autres accessoires utilisés à une vitesse supérieure à la vitesse nominale peuvent se détacher et provoquer des blessures.

**Tenez l'outil par les surfaces de préhension isolées en effectuant une opération au cours de laquelle les meules peuvent venir en contact avec des fils dissimulés ou avec le cordon de l'outil.** Le contact avec un fil sous tension rendra les pièces métalliques exposées de l'outil sous tension et causera des chocs à l'opérateur.

**Assurez-vous toujours que le protecteur de meule, la semelle et la poignée auxiliaire sont réassemblés et fixés solidement à la machine en changeant le point de fonctionnement de marche avant à marche arrière ou après avoir changé les meules.** Un outil qui manque un composant de sécurité essentiel est dangereux à utiliser.

**Portez des vêtements appropriés lors de l'utilisation d'une machine à tronçonner à meule.** Un écran facial ou, à tout le moins, des lunettes de sécurité, un masque antipoussières, des gants en cuir et un tablier d'atelier pouvant arrêter les petits fragments de meule ou d'ouvrage.

**Cette machine n'est pas destinée à être utilisée avec les meules à diamant par voie humide.** L'utilisation d'eau ou d'autres agents liquides de refroidissement avec cette machine peut provoquer une électrocution ou des chocs. L'utilisation de meules à diamant par voie sèche est acceptable.

**Utilisez uniquement des meules de tronçonnage de type 1 avec le trou d'arbre de la dimension correcte. N'utilisez jamais des brides de meule abîmées ou incorrectes ou un écrou rond.** Les autres types de meule ne sont pas destinés à appliquer la charge sur la périphérie et peuvent voler en éclats. Les meules avec trous d'arbre qui ne correspondent pas aux ferrures de montage de l'outil fonctionneront de manière excentrique, vibreront excessivement et causeront une perte de contrôle.

**Ne rectifiez pas sur le côté des meules de tronçonnage de type 1.** Les forces latérales appliquées sur ces meules peuvent les faire voler en éclats.

**N'utilisez pas cet outil avec une lame de cisèlement du bois ou des lames à dents standard pour couper le bois.** Ces lames ne sont pas destinées à cette machine et peuvent provoquer une perte de contrôle en cours d'utilisation.

Les meules de tronçonnage doivent avoir une vitesse sûre maximale de fonctionnement supérieure à la vitesse à vide marquée sur la plaque signalétique de l'outil. Les meules qui fonctionnent à une vitesse supérieure à la vitesse prévue peuvent voler en éclats et causer des blessures.

Avant chaque usage, inspectez la meule de tronçonnage pour y relever tout éclat et fissure. N'utilisez pas une meule qui peut être abîmée. Posez une nouvelle meule si l'outil est tombé. Lors de la pose de la nouvelle meule, maniez soigneusement les meules de tronçonnage individuelles en vue d'éviter les éclats ou les fissures. Faites fonctionner l'outil à vide pendant une minute, en tenant l'outil en sens opposé aux personnes présentes. Les meules présentant des défaillances voleront normalement en éclats durant cette période. Les fragments d'une meule qui éclate durant le fonctionnement seront projetés à grande vitesse et pourraient vous frapper ou frapper des personnes présentes.

N'utilisez pas une meule de tronçonnage de dimensions supérieures aux dimensions maximales recommandées pour votre outil, ni des meules abîmées et usées provenant de machines à tronçonner à meule de dimensions supérieures. Les meules destinées aux outils plus gros ne conviennent pas à la vitesse supérieure d'un outil plus petit ; ces meules peuvent facilement éclater et les fragments peuvent vous frapper ou frapper les personnes présentes.

Placez le cordon à l'écart de la meule en rotation. N'enroulez pas le cordon autour de votre bras ou de votre poignet. Si vous perdez le contrôle et que le cordon est enroulé autour de votre bras ou poignet, il peut vous emprisonner et vous blesser.

Gardez votre corps placé d'un côté ou de l'autre de la meule, mais non dans le prolongement de celle-ci. Il est important de supporter l'outil adéquatement et de positionner votre corps de manière à minimiser l'exposition de votre corps à un éventuel grippage de la meule et au rebond de l'outil.

Tenez les mains à l'écart de l'aire de coupe et de la meule. Gardez votre seconde main sur la poignée auxiliaire. Tenez la machine fermement afin de prévenir une perte de contrôle. Ne placez JAMAIS votre main derrière la meule étant donné que la machine peut rebondir par-dessus votre main. Ne tentez pas de retirer le matériau coupé lorsque la meule se déplace. Si les deux mains tiennent la machine, elles ne peuvent être coupées par la meule.

Ne coinciez pas la meule dans l'ouvrage, n'exercez pas une pression excessive et ne tentez pas une coupe très profonde en utilisant cette machine. Laissez la meule en rotation faire l'ouvrage. Les machines à tronçonner à meule sont destinées à « couper » le matériau en une série de coupes peu profondes. Reportez-vous aux instructions concernant la profondeur de coupe plus loin dans ce manuel.

Évitez de faire rebondir et d'accrocher la meule, surtout lorsque vous travaillez des coins, des arêtes vives, etc. Ceci peut causer une perte de contrôle et un rebond de la machine.

Ne faites pas fonctionner la machine tout en la portant à votre côté. Un contact accidentel avec la meule en rotation peut causer des lésions graves.

Ne posez jamais l'outil avant que le moteur ne se soit arrêté complètement. La meule en rotation peut saisir la surface et vous faire perdre le contrôle de l'outil.

N'utilisez pas la machine à tronçonner à meule à proximité de matières inflammables. Les étincelles provenant de la meule pourraient allumer ces matériaux.

Ne coupez ou ne tentez jamais de couper du magnésium à l'aide de cet outil. La poussière produite durant la coupe de magnésium est très inflammable et peut être explosive dans certaines conditions.

Nettoyez régulièrement les prises d'air de l'outil à l'aide d'air comprimé. L'accumulation excessive de métal en poudre à l'intérieur du carter du moteur peut causer des défaillances électriques.

Causes du rebond et façons dont l'opérateur peut le prévenir :

*Le rebond est une réaction soudaine à une meule en rotation pincée, grippée ou mal alignée. La meule peut se bloquer et faire sortir une machine non contrôlée hors du trait de scie en direction de l'opérateur lorsque la machine est en position de « marche avant » ; si la machine est mise en position de « marche arrière », la machine peut avoir tendance à s'éloigner de l'opérateur.*

*Si une meule abrasive ou une meule à diamant devient tordue ou mal alignée dans la coupe, le côté de la meule qui entre dans le matériau peut creuser dans la surface supérieure du matériau, ce qui fait remonter ou rebondir la meule hors du trait de scie soit en direction de l'opérateur ou en sens opposé à celui-ci, suivant l'orientation de marche avant ou de marche arrière.*

*Les meules abrasives peuvent également éclater dans ces conditions, l'opérateur et les personnes présentes pouvant être frappés ou impalés par les morceaux ou les fragments. Le rebond ou les meules éclatées résultent d'une mauvaise utilisation de l'outil et/ou de conditions ou de modes de fonctionnement incorrects et peuvent être évités en prenant les précautions appropriées comme indiqué ci-après :*

**Maintenez une prise ferme des deux mains sur les poignées de la machine et positionnez votre corps et votre bras de manière à vous permettre de résister aux forces de rebond.** Les forces de rebond peuvent être contrôlées par l'opérateur, si des précautions appropriées sont prises.

**Lorsque la meule grippe ou lorsqu'une coupe est interrompue pour quelque motif que ce soit, relâchez la gâchette et tenez la machine immobile dans le matériau jusqu'à ce que la meule soit arrêtée complètement. Ne tentez jamais de retirer la machine de l'ouvrage pendant que la meule est en**

**mouvement, ce qui pourrait provoquer un rebond.** Faites enquête et prenez des mesures correctives pour éliminer la cause du grippage de la meule.

**Lorsqu'une machine est remise en marche dans un ouvrage, centrez la meule dans le trait de scie et assurez-vous que les côtés de la meule ne sont pas engagés dans l'ouvrage.** Si la meule grippe, elle peut remonter ou rebondir hors de l'ouvrage lorsque la machine est remise en marche.

**Supportez les grands panneaux afin de minimiser le risque de pincement de meule et de rebond.** Les grands panneaux ont tendance à s'affaisser sous leur propre poids. Des supports doivent être placés sous le panneau des deux côtés, près de la ligne de coupe et près du bord du panneau.

**Les leviers/écrous de blocage de réglage de profondeur de meule doivent être serrés et solides avant d'effectuer une coupe.** Si le réglage de profondeur change durant la coupe, ceci peut causer un grippage et un rebond. L'utilisation de la machine avec un réglage excessif de profondeur de coupe accroît la charge sur l'unité et les possibilités de torsion de la meule dans le trait de scie. Elle augmente également la superficie de la meule disponible pour pincement dans des conditions de torsion de la meule ou pour défaut d'alignement.

**Redoublez de prudence en effectuant une « coupe en poche » dans des murs existants ou autres endroits aveugles.** La meule en saillie peut couper les objets qui peuvent causer un rebond.

### AVERTISSEMENT

**Les travaux à la machine tel que ponçage, sciage, meulage, perçage et autres travaux du bâtiment peuvent créer des poussières contenant des produits chimiques qui sont des causes reconnues de cancer, de malformation congénitale ou d'autres problèmes reproductifs. Ces produits chimiques sont, par exemple :**



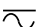






- Le plomb provenant des peintures à base de plomb,
- Les cristaux de silices provenant des briques et du ciment et d'autres produits de maçonnerie, et
- L'arsenic et le chrome provenant des bois traités chimiquement

Le niveau de risque dû à cette exposition varie avec la fréquence de ces types de travaux. Pour réduire l'exposition à ces produits chimiques, il faut travailler dans un lieu bien ventilé et porter un équipement de sécurité approprié tel que certains masques à poussière conçus spécialement pour filtrer les particules microscopiques.



## Symboles

**IMPORTANT** : Certains des symboles suivants peuvent être utilisés sur votre outil. Veuillez les étudier et apprendre leur signification. Une interprétation appropriée de ces symboles vous permettra d'utiliser l'outil de façon plus efficace et plus sûre.

Symbole	Nom	Désignation/Explication
V	Volts	Tension (potentielle)
A	Ampères	Courant
Hz	Hertz	Fréquence (cycles par seconde)
W	Watt	Puissance
kg	Kilogrammes	Poids
min	Minutes	Temps
s	Secondes	Temps
∅	Diamètre	Taille des mèches de perceuse, meules, etc.
$n_0$	Vitesse à vide	Vitesse de rotation, à vide
n	Vitesse nominale	Vitesse nominale stipulée par le fabricant
.../min	Tours ou mouvement alternatif par minute	Tours, coups, vitesse en surface, orbites, etc., par minute
0	Position d'arrêt	Vitesse zéro, couple zéro ...
1, 2, 3, ... I, II, III, ...	Réglages du sélecteur	Réglages de vitesse, de couple ou de position. Un nombre plus élevé signifie une vitesse plus grande
0 	Sélecteur variable à l'infini avec arrêt	La vitesse augmente depuis le réglage 0
	Flèche	Action dans la direction de la flèche
	Courant alternatif	Type ou caractéristique du courant
	Courant continu	Type ou caractéristique du courant
	Courant alternatif ou continu	Type ou caractéristique du courant
	Construction classe II	Désigne des outils construits avec double isolation
	Borne de terre	Borne de mise à la terre
	Symbole d'avertissement	Alerte l'utilisateur aux messages d'avertissement.
	Sceau Li-ion RBRC	Désigne le programme de recyclage des piles Li-ion.
	Sceau Ni-Cad RBRC	Désigne le programme de recyclage des piles Ni-Cad.
	Symbole de lecture du mode d'emploi d'emploi	Alerte l'utilisateur pour lire le mode
	Symbole de port de lunettes de sécurité de sécurité	Alerte l'utilisateur pour porter des lunettes

## Symboles (suite)

**IMPORTANT** : Certains des symboles suivants peuvent être utilisés sur votre outil. Veuillez les étudier et apprendre leur signification. Une interprétation appropriée de ces symboles vous permettra d'utiliser l'outil de façon plus efficace et plus sûre.



Ce symbole signifie que cet outil est approuvé par Underwriters Laboratories.



Ce symbole signifie que cet outil est approuvé par Underwriters Laboratories selon les normes des États-Unis et du Canada.



Ce symbole signifie que cet outil est approuvé par l'Association canadienne de normalisation.



Ce symbole signifie que cet outil est approuvé par l'Association canadienne de normalisation selon les normes des États-Unis et du Canada.



Ce symbole signifie que cet outil est approuvé par Intertek Testing Services selon les normes des États-Unis et du Canada.

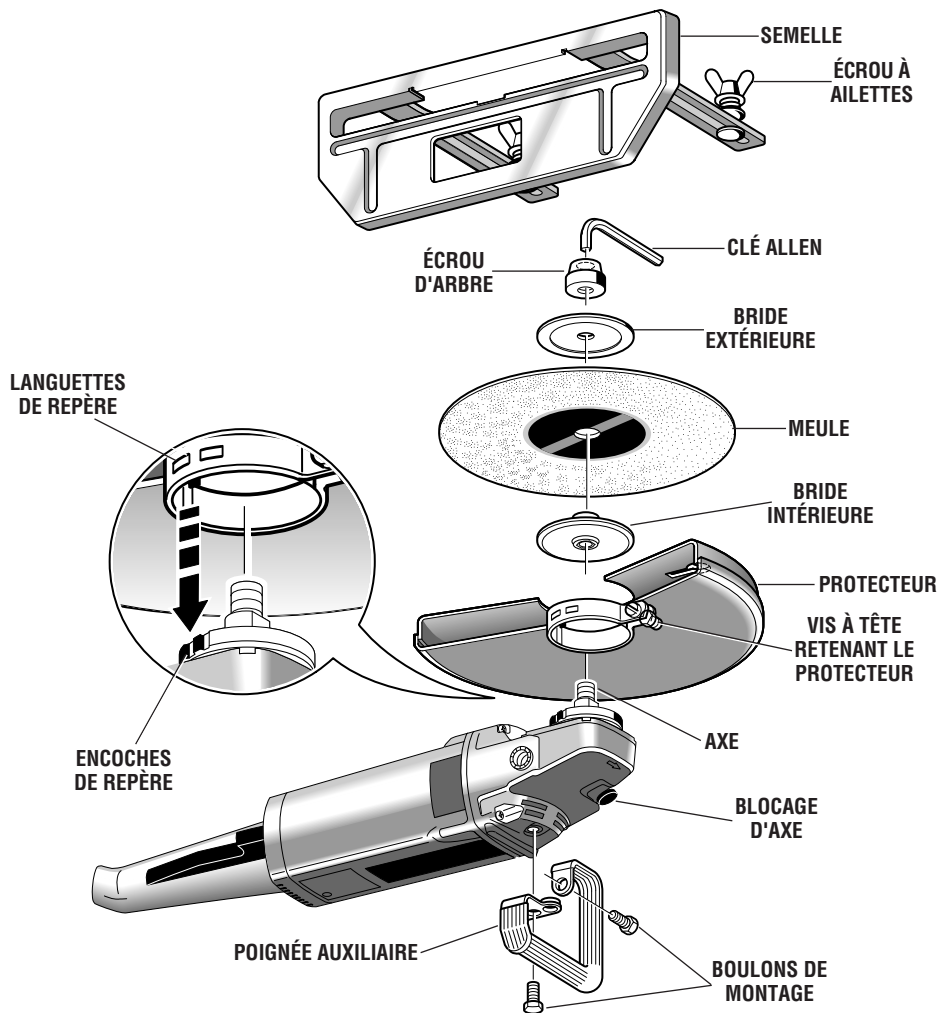


Ce symbole signifie que cet outil se conforme aux normes mexicaines NOM.

## Description fonctionnelle et spécifications

**⚠ AVERTISSEMENT** Débranchez la fiche de la prise de courant avant d'effectuer quelque assemblage ou réglage que ce soit ou de changer les accessoires. Ces mesures de sécurité préventive réduisent le risque d'une mise en marche accidentelle de l'outil.

### Machine à tronçonner à meule



No. de Modèle	1364	1365
Capacités Maximales		
Meule	12 po	14 po
Profondeur de coupe max.	3 7/8 po	4 7/8 po
Arbre	7/8 po	7/8 po et 1 po
Vitesse à vide	5000 tr/min	4300 tr/min

**REMARQUE :** Pour spécifications de l'outil, reportez-vous à la plaque signalétique de votre outil.

## Assemblage

**⚠ AVERTISSEMENT** Pour prévenir les blessures graves, débranchez toujours la fiche de la prise de courant avant de changer les meules ou d'effectuer quelque réglage que ce soit.

### POSE DES MEULES

Utilisez toujours l'écrou d'arbre ayant la même dimension de filet que l'axe.

1. Posez la bride intérieure sur l'axe, avec le renfoncement dans le côté arrière de la bride engageant la partie correspondante de l'axe.
2. Posez la meule sur l'axe.

3. Posez la bride extérieure avec le côté plat à l'extérieur.

4. Serrez l'écrou d'arbre fourni sur l'axe à la main, appuyez sur le blocage d'axe et serrez la meule à l'aide de la clé fournie.

**⚠ AVERTISSEMENT** Ne serrez pas excessivement. La meule peut se fissurer si elle est serrée excessivement.

**⚠ MISE EN GARDE** N'appuyez pas sur le blocage d'axe pendant que l'outil est en marche.

## Consignes de fonctionnement

**⚠ AVERTISSEMENT** Utilisez toujours un protecteur de meule, une semelle et une poignée auxiliaire avec cette machine à tronçonner à meule.

### INTERRUPTEUR À PALETTE

**AVEC FONCTION DE BLOCAGE EN POSITION D'ARRÊT**  
L'interrupteur à palette permet à l'opérateur de contrôler les fonctions de blocage en position d'arrêt et de marche/arrêt de l'interrupteur.

**POUR DÉBLOQUER L'INTERRUPTEUR ET METTRE L'OUTIL EN MARCHÉ :** Poussez le levier à palette VERS L'AVANT (vers l'axe), puis pressez le levier à palette.

**POUR METTRE L'OUTIL À L'ARRÊT :** Relâchez la pression sur le levier à palette. L'interrupteur est à ressort et reviendra automatiquement à la position d'arrêt.

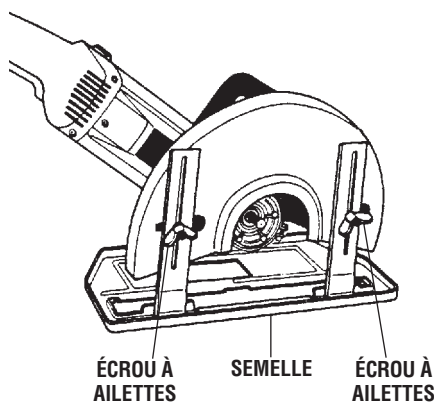
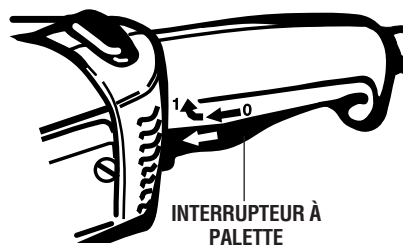
### POIGNÉE LATÉRALE

La poignée latérale, utilisée pour guider et équilibrer l'outil, peut être boulonnée d'un côté comme de l'autre du boîtier de l'arbre, suivant les choix personnels et le confort. Utilisez toujours la poignée latérale afin de maximaliser le contrôle et la facilité de fonctionnement.

### RÉGLAGE DE LA PROFONDEUR DE COUPE

Desserrez les écrous à ailettes, levez ou baissez la semelle à la profondeur désirée, et serrez solidement les écrous à ailettes à la main.

**⚠ AVERTISSEMENT** Pour prévenir le rebond et les dommages à l'outil, réglez toujours la semelle à une profondeur telle que les brides intérieures ou extérieures ne viennent jamais en contact avec la surface de l'ouvrage.



## UTILISATION DE L'OUTIL

L'observance de quelques conseils simples réduira l'usure de l'outil et réduira les possibilités de blessures à l'opérateur.

**⚠ AVERTISSEMENT** Cette machine n'est pas destinée à être utilisée avec des meules à diamant par voie humide. L'utilisation d'eau ou d'autres agents liquides de refroidissement avec cette machine peut provoquer une électrocution ou des chocs. L'utilisation de meules à diamant par voie sèche est acceptable.

### APPLICATIONS

Cet outil est destiné à couper les matériaux suivants.

Tôle de 1/8 po d'épaisseur au maximum.

Briques et agglomérés de béton.

Tige de renforcement - généralement de moins de 3/4 po de diamètre.

Maille en fil métallique pour armer de béton de 1/8 po

Coffrages de plancher et de plafond ondulés (coffrages de béton)

Conduits électriques avec parois de 1/8 po d'épaisseur

Coffrages structuraux de 1/8 po d'épaisseur au maximum tels que profilés, cornières, plaques, etc.

### MEULES ABRASIVES

Utilisez des meules en oxyde d'aluminium pour couper le métal.

Utilisez des meules en carbure de silicium pour couper la maçonnerie.

Utilisez des meules à diamant sèches pour couper le béton. Les meules à diamant sèches restent plus fraîches, se colmatent moins et durent plus longtemps.

1. Avant de mettre une machine à tronçonner en marche, inspectez la meule de tronçonnage pour y relever tout éclat ou fissure. Remplacez les meules défectueuses immédiatement. Les meules neuves doivent être rodées à vide pour au moins une minute en sens contraire à la présence d'autres personnes. Les meules imparfaites voleront normalement en éclats durant cette période.

2. Une machine à tronçonner à meule ne doit JAMAIS être utilisée sans le protecteur fixé solidement en place. Le protecteur doit être tourné à la position à laquelle une protection maximale est assurée pour l'opérateur contre les étincelles et la périphérie de la meule.

3. Les vêtements appropriés pour l'utilisation de l'outil comprennent des lunettes de protection, des gants en cuir, un masque antipoussières et un tablier d'atelier.

4. Avec l'outil en position d'arrêt, familiarisez-vous avec le maniement de l'outil. Contrôlez la tête de l'outil à l'aide de la poignée latérale. Contrôlez le tranchant de la meule à l'aide de la poignée de l'interrupteur. Servez-vous toujours de vos deux mains pour utiliser l'outil.

5. Ne faites jamais tomber l'outil. Posez l'outil délicatement, mais jamais sur la meule.

6. LA COUPE DU BÉTON projettera de grandes quantités de poussière dans les environs.

Des masques antipoussières protecteurs sont fortement recommandés comme protection respiratoire pour l'opérateur et les autres travailleurs dans le voisinage.

7. Étant donné la dimension et le poids de la machine à tronçonner, il n'est pas recommandé de l'utiliser en tête ou à toute position qui ne permettrait pas un contrôle approprié. Les échelles ou les échafaudages ne sont pas considérés comme étant des structures de support solides.

8. Évitez de surcharger l'outil. Ne laissez pas la meule se gripper ou se coincer. Bon nombre de coupes, surtout dans le béton massif, nécessitent des passes successives. N'exposez pas plus de meule abrasive que nécessaire pour couper avec un degré normal de pression exercée sur l'outil. Commencez à couper depuis le bord du matériau, en commençant avec environ 1 po de meule exposée. Ne forcez pas l'outil ; chargez-le normalement. Suivant la dureté et la densité du matériau, faites des passes successivement plus profondes jusqu'à ce que la coupe soit terminée.

### MARCHE AVANT/MARCHE ARRIÈRE

Les modèles 1364 et 1365 sont expédiés avec la machine à tronçonner à meule réglée à la position de marche avant. Les deux modèles peuvent être convertis facilement à la position de marche arrière sans aucun autre accessoire.

La position de marche avant dirige les étincelles, la poussière et les débris en sens opposé à l'opérateur.

La position de marche arrière change le sens de rotation de sorte que les étincelles, la poussière et les débris sont projetés vers l'opérateur.

La position appropriée de marche dépend de la manière dont l'outil est tenu, du sens de course et des choix personnels. Gardez toujours à l'esprit que cette fonction a pour but de diriger les étincelles, la poussière et les débris en sens opposé à l'opérateur.

### APPLICATIONS DE MARCHE ARRIÈRE

Vous trouverez ci-après quelques cas où il pourrait vous être opportun de mettre votre outil à la position de marche arrière.

- En coupant à une position verticale afin de diriger les débris vers vos pieds plutôt que votre visage.
- En tirant l'outil à travers l'ouvrage plutôt que de pousser l'outil.
- En travaillant dans des endroits restreints proches d'un mur.
- Confort personnel.

### INVERSION DU SENS DE MARCHÉ

Cependant, nous recommandons fortement de confier cette tâche à un centre de service Bosch agréé.

1. Débranchez la fiche de la prise de courant.
2. Retirez la meule abrasive.
3. Desserrez les écrous à ailettes suffisamment pour permettre aux têtes de vis de glisser hors des trous de montage de la semelle pratiqués dans le protecteur, et retirez la semelle.
4. Retirez les quatre vis du carter d'engrenages et tournez le carter d'engrenages de 180°. Remettez les vis du carter en place et serrez solidement les vis.

5. Desserrez la vis à tête retenant le protecteur et tournez le protecteur en vue d'une couverture maximale de la meule, puis serrez solidement la vis à tête retenant le protecteur à l'aide de la clé fournie.

6. Retirez les boulons de montage de la poignée auxiliaire, repositionnez la poignée en utilisant le trou auxiliaire de la poignée, remettez les boulons de montage en place et serrez solidement la poignée.

7. Réassemblez la semelle et la meule abrasive.

## Maintenance

### Entretien

**AVERTISSEMENT** L'entretien préventif effectué par des employés non autorisés peut entraîner un positionnement erroné des composants et des fils internes, et ainsi causer des dangers sévères. Il est recommandé que l'entretien et la réparation de nos outils soient confiés à un centre de service-usine Bosch ou à un centre de service après-vente Bosch agréé.

#### GRAISSAGE DE L'OUTIL

Votre outil Bosch a été convenablement graissé et est prêt à utiliser. Il est recommandé que les outils à engrenages soient regraissés avec une graisse spéciale à l'occasion de tout remplacement de balais.

#### BALAIS DE CHARBON

Les balais et le collecteur de votre outil ont été conçus pour donner plusieurs heures de fonctionnement sans aléas. Pour maintenir le moteur en forme, nous recommandons d'examiner les balais tous les deux à six mois. Vous ne devriez utiliser que les balais de rechange d'origine Bosch qui conviennent spécialement à votre outil.

#### ROULEMENTS

Après environ 300 à 400 heures d'utilisation, ou à tous les deux remplacements des balais, il faudrait

confier le remplacement des roulements à un centre de service-usine Bosch ou à un centre de service après-vente Bosch agréé. Les roulements qui sont devenus bruyants (à cause de sciage de matériaux très abrasifs ou de durs efforts) devraient être remplacés à l'instant pour éviter la surchauffe et la défaillance du moteur.

### Nettoyage

**AVERTISSEMENT** Pour éviter le risque d'accidents, débranchez toujours l'outil de la prise de courant avant de procéder au nettoyage ou à l'entretien. Vous pouvez très bien le nettoyer à l'air comprimé. Dans ce cas, portez toujours des lunettes de sécurité.

Gardez les prises d'air et les interrupteurs propres et libres de débris. N'essayez pas de les nettoyer en introduisant des objets pointus dans leurs ouvertures.

**AVERTISSEMENT** Certains produits de nettoyage et dissolvants dont la gazoline, le tétrachlorure de carbone, les nettoyeurs chlorés, l'ammoniaque et les détergents ménagers contenant de l'ammoniaque peuvent abîmer les pièces en plastique.

## Cordons de rallonge

**⚠ AVERTISSEMENT** Si un cordon de rallonge s'avère nécessaire, vous devez utiliser un cordon avec conducteurs de dimension adéquate pouvant porter le courant nécessaire à votre outil. Ceci préviendra une chute excessive de tension, une perte de courant ou une surchauffe. Les outils mis à la terre doivent utiliser des cordons de rallonge trifilaires pourvus de fiches à trois broches ainsi que des prises à trois broches.

**REMARQUE :** Plus le calibre est petit, plus le fil est gros.

### DIMENSIONS DE RALLONGES RECOMMANDÉES OUTILS 120 VOLTS COURANT ALTERNATIF

Intensité nominale de l'outil	Calibre A.W.G.				Calibre en mm <sup>2</sup>			
	Longueur en pieds				Longueur en mètres			
	25	50	100	150	15	30	60	120
3-6	18	16	16	14	0,75	0,75	1,5	2,5
6-8	18	16	14	12	0,75	1,0	2,5	4,0
8-10	18	16	14	12	0,75	1,0	2,5	4,0
10-12	16	16	14	12	1,0	2,5	4,0	—
12-16	14	12	—	—	—	—	—	—

## Accessoires

Poignée auxiliaire\*  
Protecteur de meule\*  
Semelle\*  
Bride intérieure\*  
Bride extérieure\*  
Clé Allen de 3/8 po\*

Clé Allen de 6 mm\*  
Écrou d'arbre de 7/8 po\*  
Écrou d'arbre de 1 po\*  
Contre-écrou de 20 mm\*\*  
Clé à molette de 22 mm\*\*  
Boîtier en métal\*\*

(\* = équipement standard)

(\*\* = accessoire en option)

## Normas de seguridad para herramientas mecánicas



**ADVERTENCIA** Lea y entienda todas las instrucciones. El incumplimiento de todas las instrucciones indicadas a continuación puede dar lugar a sacudidas eléctricas, incendios y/o lesiones personales graves.

### CONSERVE ESTAS INSTRUCCIONES

#### Area de trabajo

**Mantenga el área de trabajo limpia y bien iluminada.** Las mesas desordenadas y las áreas oscuras invitan a que se produzcan accidentes.

**No utilice herramientas mecánicas en atmósferas explosivas, tales como las existentes en presencia de líquidos, gases o polvos inflamables.** Las herramientas mecánicas generan chispas y éstas pueden dar lugar a la ignición del polvo o los vapores.

**Mantenga a las personas que se encuentren presentes, a los niños y a los visitantes alejados al utilizar una herramienta mecánica.** Las distracciones pueden hacer que usted pierda el control.

#### Seguridad eléctrica

Las herramientas con aislamiento doble están equipadas con un enchufe polarizado (un terminal es más ancho que el otro). Este enchufe entrará en un tomacorriente polarizado solamente de una manera. Si el enchufe no entra por completo en el tomacorriente, déle la vuelta. Si sigue sin entrar, póngase en contacto con un electricista competente para instalar un tomacorriente polarizado. No haga ningún tipo de cambio en el enchufe. El aislamiento doble  elimina la necesidad del sistema de cordón de energía de tres hilos conectado a tierra y la fuente de energía conectada a tierra. *Antes de enchufar la herramienta, asegúrese de que la tensión del tomacorriente suministrada se encuentre dentro del margen de la tensión especificada en la placa del fabricante. No utilice herramientas con capacidad nominal "AC solamente" ("AC only") con una fuente de energía DC.*

**Evite el contacto del cuerpo con las superficies conectadas a tierra tales como tuberías, radiadores, estufas de cocina y refrigeradores.** Hay mayor riesgo de que se produzcan sacudidas eléctricas si su cuerpo está conectado a tierra. Si la utilización de la herramienta mecánica en lugares húmedos es inevitable, se debe usar un interruptor de circuito para fallos a tierra para suministrar la energía a la herramienta. Los guantes de goma para electricista y el calzado antideslizante aumentarán más la seguridad personal.

**No exponga las herramientas mecánicas a la lluvia ni a situaciones húmedas.** La entrada de agua en una herramienta mecánica aumentará el riesgo de que se produzcan sacudidas eléctricas.

No abuse del cordón. Nunca use el cordón para llevar las herramientas ni para sacar el enchufe de un tomacorriente. Mantenga el cordón alejado del calor, el

aceite, los bordes afilados o las piezas móviles. Cambie los cordones dañados inmediatamente. Los cordones dañados aumentan el riesgo de que se produzcan sacudidas eléctricas.

**Al utilizar una herramienta mecánica a la intemperie, utilice un cordón de extensión para intemperie marcado "W-A" o "W".** Estos cordones tienen capacidad nominal para uso a la intemperie y reducen el riesgo de que se produzcan sacudidas eléctricas. Consulte "Tamaños recomendados de los cordones de extensión" en la sección Accesorios de este manual.

#### Seguridad personal

**Manténgase alerta, fíjese en lo que está haciendo y use el sentido común cuando utilice una herramienta mecánica. No use la herramienta cuando esté cansado o se encuentre bajo la influencia de drogas, alcohol o medicamentos.** Un momento de distracción al utilizar herramientas mecánicas puede dar lugar a lesiones personales graves.

**Vístase adecuadamente. No se ponga ropa holgada ni joyas. Sujétese el pelo. Mantenga el pelo, la ropa y los guantes alejados de las piezas móviles.** La ropa holgada, las joyas o el pelo largo pueden quedar atrapados en las piezas móviles. Mantenga los mangos secos, limpios y libres de aceite y grasa.

**Evite el arranque accidental. Asegúrese de que el interruptor esté en la posición "OFF" (apagado) antes de enchufar la herramienta.** El llevar las herramientas con el dedo en el interruptor o el enchufar herramientas que tengan el interruptor en la posición "ON" (encendido) invita a que se produzcan accidentes.

**Quite las llaves de ajuste o de tuerca antes de encender la herramienta.** Una llave de ajuste o de tuerca que se deje puesta en una pieza giratoria de la herramienta puede ocasionar lesiones personales.

**No intente alcanzar demasiado lejos. Mantenga un apoyo de los pies y un equilibrio adecuados en todo momento.** El apoyo de los pies y el equilibrio adecuados permiten un mejor control de la herramienta en situaciones inesperadas.

**Utilice equipo de seguridad. Use siempre protección de los ojos.** Se debe utilizar una máscara antipolvo, zapatos de seguridad antideslizantes, casco o protección de los oídos según lo requieran las condiciones.

#### Utilización y cuidado de las herramientas

**Utilice abrazaderas u otro modo práctico de fijar y soportar la pieza de trabajo a una plataforma estable.** La sujeción de la pieza de trabajo con la mano o contra



el cuerpo resulta inestable y puede ocasionar pérdida de control.

**No fuerce la herramienta. Use la herramienta correcta para la aplicación que desea.** La herramienta correcta hará el trabajo mejor y con más seguridad a la capacidad nominal para la que está diseñada.

**No utilice la herramienta si el interruptor no la enciende o apaga.** Toda herramienta que no se pueda controlar con el interruptor es peligrosa y debe ser reparada.

**Desconecte el enchufe de la fuente de energía antes de hacer cualquier ajuste, cambiar accesorios o guardar la herramienta.** Estas medidas de seguridad preventivas reducen el riesgo de arrancar la herramienta accidentalmente.

**Guarde las herramientas que no esté usando fuera del alcance de los niños y otras personas no capacitadas.** Las herramientas son peligrosas en las manos de los usuarios no capacitados.

**Mantenga las herramientas con cuidado. Conserve las herramientas de corte afiladas y limpias.** Las herramientas mantenidas adecuadamente, con bordes de corte afilados, tienen menos probabilidades de atascarse y son más fáciles de controlar. Toda alteración o modificación constituye un uso incorrecto y puede tener como resultado una situación peligrosa.

**Compruebe la desalineación o el atasco de las piezas móviles, la ruptura de piezas y cualquier otra situación que pueda afectar el funcionamiento de las herramientas. Si la herramienta está dañada, haga**

**que realicen un servicio de ajustes y reparaciones a la herramienta antes de usarla.** Muchos accidentes son causados por herramientas mantenidas deficientemente. Establezca un programa de mantenimiento periódico para la herramienta.

**Utilice únicamente accesorios que estén recomendados por el fabricante de su modelo.** Los accesorios que pueden ser adecuados para una herramienta pueden volverse peligrosos cuando se utilizan en otra herramienta.

### Servicio

**El servicio de ajustes y reparaciones de una herramienta debe ser realizado únicamente por personal de reparaciones competente.** El servicio o mantenimiento realizado por personal no competente podría ocasionar un peligro de que se produzcan lesiones. Por ejemplo: Los cables internos pueden colocarse mal o pellizcarse, los resortes de retorno de los protectores de seguridad pueden montarse inadecuadamente.

**Al realizar servicio de ajustes y reparaciones de una herramienta, utilice únicamente piezas de repuesto idénticas. Siga las instrucciones que aparecen en la sección Mantenimiento de este manual.** El uso de piezas no autorizadas o el incumplimiento de las instrucciones de Mantenimiento puede ocasionar un peligro de que se produzcan sacudidas eléctricas o lesiones. Ciertos agentes de limpieza, tales como gasolina, tetracloruro de carbono, amoníaco, etc., pueden dañar las piezas de plástico.

## Normas de seguridad para máquinas de rueda abrasiva

**Utilice siempre el protector de la rueda, la placa-base y el mango auxiliar con esta máquina de rueda abrasiva. El protector siempre debe estar colocado firmemente en la herramienta y posicionado de manera que proporcione máxima seguridad, de forma que la cantidad de rueda que quede al descubierto sea mínima en el lado de la herramienta en que se encuentra el operador.** Un protector protege al operador contra los fragmentos desprendidos de una rueda que se rompa. La placa-base y el mango auxiliar proporcionan protección, estabilidad y control adicionales en las aplicaciones de corte.

**Los ruedas abrasivas de corte deben tener capacidad nominal para al menos la velocidad recomendada en la etiqueta de advertencia de la herramienta.** Las muelas y otros accesorios que funcionen a velocidades superiores a la velocidad nominal pueden saltar en pedazos y causar lesiones.

**Sujete la herramienta por las superficies de agarre aisladas al realizar una operación en la que las ruedas abrasivas puedan entrar en contacto con cables ocultos o con su propio cordón.** El contacto

con un cable que tenga corriente hará que todas las partes metálicas de la herramienta que están al descubierto lleven corriente y causen sacudidas eléctricas al operador.

**Asegúrese siempre de que el protector de la rueda, la placa-base y el mango auxiliar se hayan vuelto a montar y de que estén sujetos firmemente a la máquina al cambiar el punto de funcionamiento de disparo de avance a disparo inverso o después de cambiar las ruedas.** Es peligroso utilizar una herramienta a la que le falte un componente de seguridad esencial.

**Use indumentaria adecuada mientras utiliza una máquina de rueda abrasiva.** Careta protectora o al menos anteojos de seguridad, máscara antipolvo, guantes de cuero y delantal de taller capaces de detener pequeños fragmentos de la rueda o de la pieza de trabajo.

**Esta máquina no está diseñada para utilizarse con ruedas adiamantadas mojadas.** La utilización de agua u otros refrigerantes líquidos con esta máquina puede

ocasionar electrocución o sacudidas eléctricas. El uso de ruedas adiamantadas secas es aceptable.

**Utilice únicamente ruedas abrasivas de corte de tipo 1 con el agujero para eje portaherramienta de tamaño correcto. No utilice nunca pestañas de rueda dañadas o incorrectas ni una tuerca redonda.** Otros tipos de ruedas no están diseñados para aplicar carga en la periferia y pueden hacerse pedazos. Las ruedas con agujeros para eje portaherramienta que no coincidan con la tornillería de montaje de la herramienta funcionarán excéntricamente, vibrarán excesivamente y causarán pérdida de control.

**No amuele en el lado de ruedas abrasivas de corte de tipo 1.** Las fuerzas laterales aplicadas a estas ruedas pueden hacer que salten en pedazos.

**No utilice esta herramienta con una hoja para "tallar madera" ni con hojas dentadas estándar para cortar madera.** Estas hojas no están diseñadas para esta máquina y pueden ocasionar pérdida de control durante el uso.

**Las ruedas abrasivas de corte deben tener una velocidad máxima de funcionamiento con seguridad superior a las "RPM sin carga" indicadas en la placa del fabricante de la herramienta.** Las ruedas que estén funcionando a una velocidad superior a la nominal pueden romperse, salir despedidas y causar lesiones.

**Antes de cada uso, inspeccione la rueda de corte para ver si tiene astillas y grietas. No utilice ninguna rueda que pueda estar dañada. Instale una rueda nueva si la herramienta se ha caído. Al instalar una rueda nueva, maneje cuidadosamente cada una de las ruedas de corte para evitar que se astillen o se agrieten. Haga funcionar la herramienta sin carga durante un minuto, sujetándola de manera que esté orientada alejándose de las personas que se encuentren presentes. Normalmente, las ruedas con defectos se romperán durante este período.** Los fragmentos de una rueda que revienta durante el funcionamiento saldrán despedidos a gran velocidad, posiblemente golpeándoles a usted o a las personas que se encuentren presentes.

**No utilice una rueda de corte cuyo tamaño sea mayor que el tamaño máximo recomendado para la herramienta, ni ruedas desgastadas o dañadas provenientes de máquinas de rueda abrasiva más grandes.** Las ruedas diseñadas para herramientas más grandes no son adecuadas para la velocidad más alta de una herramienta más pequeña. Estas ruedas pueden reventar fácilmente y los fragmentos pueden golpearles a usted o a las personas que se encuentren presentes.

**Sítue el cordón alejado de la rueda que gira. No se enrolle el cordón alrededor del brazo o de la muñeca.** Si pierde el control de la herramienta y tiene el cordón enrollado alrededor del brazo o de la muñeca, éste puede atraparle y causarle lesiones.

**Mantenga el cuerpo situado a uno de los lados de la rueda, pero no en línea con la rueda.** Es importante

soportar la herramienta adecuadamente y situar el cuerpo de manera que se minimice la exposición del mismo a un posible atasco de la rueda y el retroceso de la herramienta.

**Mantenga las manos alejadas del área de corte y de la rueda. Mantenga la segunda mano en el mango auxiliar. Sujete la máquina firmemente para evitar la pérdida de control. NUNCA ponga la mano detrás de la rueda, ya que la máquina puede experimentar retroceso sobre la mano. No intente retirar el material cortado cuando la rueda se está moviendo.** Si ambas manos están sujetando la máquina, la rueda no puede cortarlas.

**No "trabe" la rueda abrasiva en la pieza de trabajo, ni ejerza una presión excesiva ni intente utilizar profundidades de corte más grandes mientras utiliza esta máquina.** Deje que la rueda que gira haga el trabajo. Las máquinas de rueda abrasiva están diseñadas para "cortar" el material en una serie de cortes de poca profundidad. Consulte las instrucciones sobre la profundidad de corte que aparecen más adelante en este manual.

**Evite hacer rebotar y enganchar la rueda, especialmente al trabajar en esquinas, bordes afilados, etc.** Esto puede causar pérdida de control y retroceso de la máquina.

**No tenga la herramienta en marcha mientras la lleva a su lado.** El contacto accidental con la rueda que gira podría causar lesiones personales graves.

**Nunca deje la herramienta en ningún sitio hasta que el motor se haya detenido por completo.** La rueda que gira puede engancharse en la superficie y tirar de la herramienta haciendo que usted pierda el control.

**No utilice la máquina de rueda abrasiva cerca de materiales inflamables.** Las chispas generadas por la rueda podrían incendiar estos materiales.

**Nunca corte ni intente cortar magnesio con esta herramienta.** El polvo generado cuando se corta magnesio es altamente inflamable y puede ser explosivo bajo ciertas condiciones.

**Limpie periódicamente las aberturas de ventilación de la herramienta utilizando aire comprimido.** La acumulación excesiva de metal en polvo en el interior de la caja protectora del motor puede causar fallos eléctricos.

**Causas del retroceso y su prevención por el operador:**  
*El retroceso es una reacción repentina a una rueda que se pellizca, atasca o desalinea mientras está girando. La rueda puede detenerse y hacer que la máquina fuera de control retroceda saliendo del corte en dirección al operador cuando se encuentra en la posición de "disparo de avance". Si la máquina está ajustada en la posición de "disparo inverso", puede tender a desplazarse alejándose del operador.*

*Si una rueda abrasiva o una rueda adiamantada se tuerce o desalinea en el interior del corte, el lado de la*

rueda que está entrando en el material puede penetrar en la superficie superior del mismo, haciendo que la rueda se **salga** del corte o experimente **retroceso** dirigiéndose hacia el operador o alejándose de éste, según la orientación de **disparo de avance** o **disparo inverso**.

Las ruedas abrasivas también pueden hacerse pedazos en estas condiciones, haciendo que los pedazos o fragmentos golpeen al operador y a las personas que se encuentren presentes. El retroceso o las ruedas hechas pedazos son el resultado del uso incorrecto de la herramienta o de procedimientos incorrectos de utilización o condiciones inadecuadas y pueden evitarse tomando precauciones adecuadas según se indica a continuación:

**Mantenga un agarre firme con las dos manos en los mangos de la máquina y sitúe el cuerpo y el brazo de manera que le permitan resistir las fuerzas de retroceso.** El operador puede controlar las fuerzas de retroceso si se toman precauciones adecuadas.

**Cuando la rueda se atasque, o al interrumpir un corte por cualquier razón, suelte el gatillo y sujete la máquina de manera que no se mueva en el material hasta que la rueda se detenga completamente. Nunca intente retirar la máquina de la pieza de trabajo mientras la rueda está en movimiento o podrá producirse retroceso.** Investigue y tome medidas correctoras para eliminar la causa de que la rueda se atasque.

**Al volver a poner en marcha una máquina en una pieza de trabajo, centre la rueda en la separación de corte y compruebe que los lados de la rueda no estén acoplados en el material.** Si la rueda se atasca, puede desplazarse hacia arriba o *retroceder* respecto a la pieza de trabajo al volver a poner en marcha la máquina.

**Soporte los paneles grandes para minimizar el riesgo de pellizcamiento de la rueda y retroceso.** Los paneles grandes tienden a combarse bajo su propio

peso. Deben colocarse soportes bajo el panel a ambos lados, cerca de la línea de corte y cerca del borde del panel.

**Las palancas/tuercas de fijación del ajuste de la profundidad de la rueda deben apretarse y fijarse antes de hacer un corte.** Si la profundidad de corte cambia durante la operación de corte, se pueden producir atascos y retroceso. La utilización de la máquina ajustada a una profundidad de corte excesiva aumenta la carga a la que se somete la unidad y la susceptibilidad de la rueda a torcerse en el interior del corte. También aumenta el área de la superficie de la rueda disponible para pellizcamiento en condiciones en las que la rueda se tuerza o desalinee.

**⚠ ADVERTENCIA** Tenga precaución adicional al hacer un "corte de bolsillo" en paredes existentes o en otras áreas ciegas. La rueda que sobresale puede cortar objetos que pueden causar retroceso.

**Cierto polvo generado por el lijado, aserrado, amolado y taladrado mecánicos, y por otras actividades de construcción, contiene agentes químicos que se sabe que causan cáncer, defectos de nacimiento u otros daños sobre la reproducción. Algunos ejemplos de estos agentes químicos son:**

- Plomo de pinturas a base de plomo,
- Sílice cristalina de ladrillos y cemento y otros productos de mampostería, y
- Arsénico y cromo de madera tratada químicamente.

Su riesgo por causa de estas exposiciones varía, dependiendo de con cuánta frecuencia realice este tipo de trabajo. Para reducir su exposición a estos agentes químicos: trabaje en un área bien ventilada y trabaje con equipo de seguridad aprobado, como por ejemplo máscaras antipolvo que estén diseñadas especialmente para impedir mediante filtración el paso de partículas microscópicas.

## Símbolos

**IMPORTANTE:** Es posible que algunos de los símbolos siguientes se usen en su herramienta. Por favor, estúdielos y aprenda su significado. La interpretación adecuada de estos símbolos le permitirá utilizar la herramienta mejor y con más seguridad.

Símbolo	Nombre	Designación/explicación
V	Volt	Tensión (potencial)
A	Ampere	Corriente
Hz	Hertz	Frecuencia (ciclos por segundo)
W	Watt	Potencia
kg	Kilogramo	Peso
min	Minuto	Tiempo
s	Segundo	Tiempo
	Diámetro	Tamaño de las brocas taladradoras, muelas, etc
$n_0$	Velocidad sin carga	Velocidad rotacional sin carga
n	Velocidad nominal	Velocidad nominal del fabricante
.../min	Revoluciones o alternación por minuto	Revoluciones, golpes, velocidad de superficie, órbitas, etc., por minuto
0	Posición "off" (apagado)	Velocidad cero, par motor cero...
1, 2, 3, ... I, II, III,	Graduaciones del selector	Graduaciones de velocidad, par motor o posición. Un número más alto significa mayor velocidad
	Selector infinitamente variable con apagado	La velocidad aumenta desde la graduación de 0
	Flecha	Acción en la dirección de la flecha
	Corriente alterna	Tipo o una característica de corriente
	Corriente continua	Tipo o una característica de corriente
	Corriente alterna o continua	Tipo o una característica de corriente
	Construcción de clase II	Designa las herramientas de construcción con aislamiento doble.
	Terminal de toma de tierra	Terminal de conexión a tierra
	Símbolo de advertencia	Alerta al usuario sobre mensajes de advertencia
	Sello RBRC de Li-ion	Designa el programa de reciclaje de baterías de Li-ion
	Sello RBRC de Ni-Cd	Designa el programa de reciclaje de baterías de Ni-Cd
	Símbolo de lectura del manual	Alerta al usuario para que lea el manual
	Símbolo de uso de protección de los ojos	Alerta al usuario para que use protección de los ojos

## Símbolos (continuación)

**IMPORTANTE:** Es posible que algunos de los símbolos siguientes se usen en su herramienta. Por favor, estúdielos y aprenda su significado. La interpretación adecuada de estos símbolos le permitirá utilizar la herramienta mejor y con más seguridad.



Este símbolo indica que esta herramienta está catalogada por Underwriters Laboratories.



Este símbolo indica que Underwriters Laboratories ha catalogado esta herramienta indicando que cumple con las normas estadounidenses y canadienses.



Este símbolo indica que esta herramienta está catalogada por la Canadian Standards Association.



Este símbolo indica que la Canadian Standards Association ha catalogado esta herramienta indicando que cumple con las normas estadounidenses y canadienses.



Este símbolo indica que Intertek Testing Services ha catalogado esta herramienta indicando que cumple con las normas estadounidenses y canadienses.

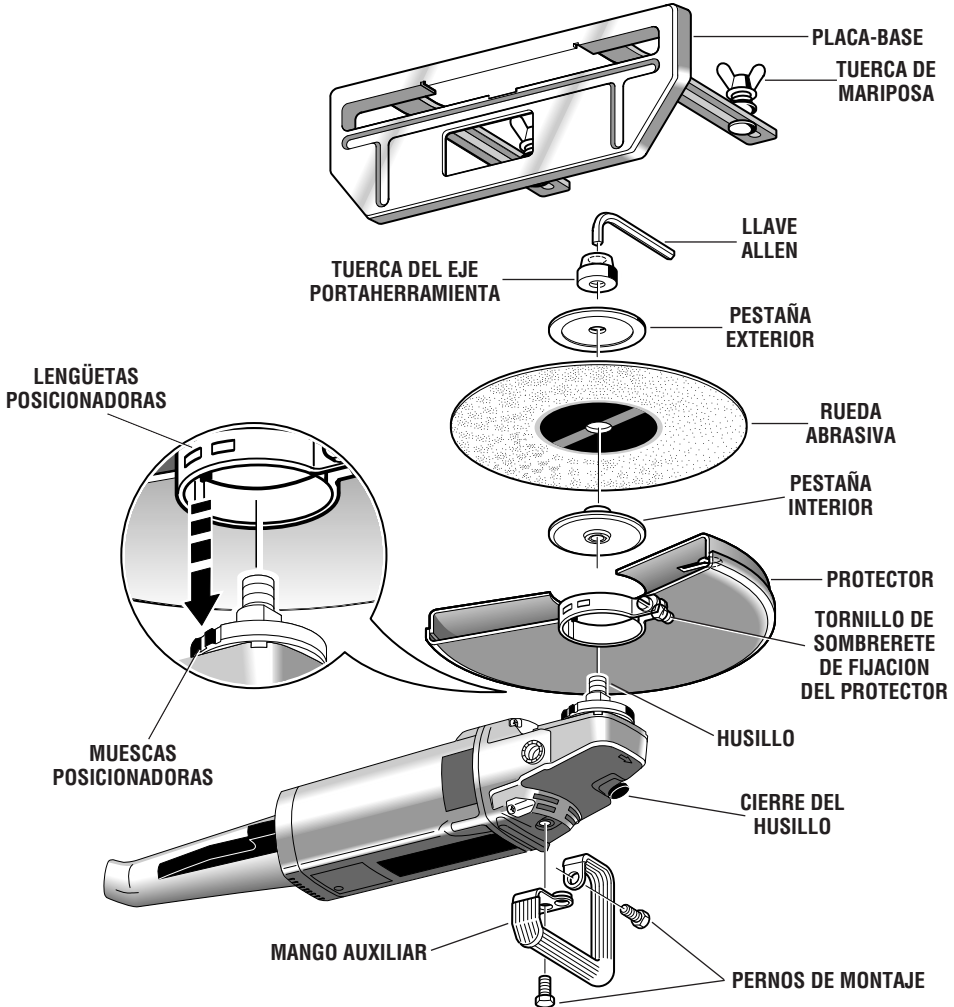


Este símbolo indica que esta herramienta cumple con la norma mexicana oficial (NOM).

## Descripción funcional y especificaciones

**ADVERTENCIA** Desconecte el enchufe de la fuente de energía antes de realizar cualquier ensamblaje o ajuste, o cambiar accesorios. Estas medidas de seguridad preventivas reducen el riesgo de arrancar la herramienta accidentalmente.

### Máquinas de rueda abrasiva



No. de Modelo	1364	1365
Capacidades Maximas		
Rueda abrasiva	12"	14"
Máx. profundidad de corte	3-7/8"	4-7/8"
Eje portaherramienta	7/8"	7/8" y 1"
RPM sin carga	5,000	4,300

**NOTA:** Para obtener las especificaciones de la herramienta, consulte la placa del fabricante colocada en la herramienta.

## Ensamblaje

**⚠ ADVERTENCIA** Para evitar lesiones personales graves, desconecte siempre el enchufe de la fuente de energía antes de cambiar ruedas o de hacer ajustes.

### INSTALACION DE RUEDAS ABRASIVAS

Utilice siempre la tuerca del eje portaherramienta que tiene el mismo tamaño de rosca que el husillo.

1. Instale la pestaña interior en el husillo, con la depresión que está en la parte posterior de la pestaña acoplada en el área correspondiente del husillo.
2. Instale la rueda abrasiva en el husillo.

3. Instale la pestaña exterior con el lado plano hacia afuera.

4. Enrosque en el husillo la tuerca del eje portaherramienta suministrada apretándola con los dedos, oprima el cierre del husillo y apriete la rueda con la llave de tuerca suministrada.

**⚠ ADVERTENCIA** No apriete demasiado. Si aprieta demasiado, pueden producirse grietas en la rueda.

**⚠ PRECAUCION** No oprima el cierre del husillo mientras la herramienta está en marcha.

## Instrucciones de funcionamiento

**⚠ ADVERTENCIA** Utilice siempre el protector de la rueda, la placa-base y el mango auxiliar con esta máquina de rueda abrasiva.

### INTERRUPTOR DE PALETA CON DISPOSITIVO DE "FIJACION EN OFF" (APAGADO)

El interruptor de paleta permite al operador controlar las funciones del interruptor de "Fijacion en OFF" y ENCENDIDO/APAGADO.

**PARA DESBLOQUEAR EL INTERRUPTOR Y ENCENDER LA HERRAMIENTA:** Empuje la palanca de paleta HACIA ADELANTE (hacia el husillo) y luego apriete la palanca de paleta.

**PARA APAGAR LA HERRAMIENTA:** Reduzca la presión sobre la palanca de paleta. El interruptor está accionado por resorte y regresará a la posición de apagado automáticamente.

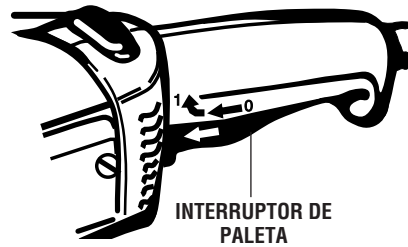
### MANGO LATERAL

El mango lateral, utilizado para guiar y equilibrar la herramienta, puede sujetarse con pernos en cualquiera de los lados de la carcasa del husillo según la preferencia personal y la comodidad del usuario. Utilice siempre el mango lateral para lograr un control máximo y un manejo fácil.

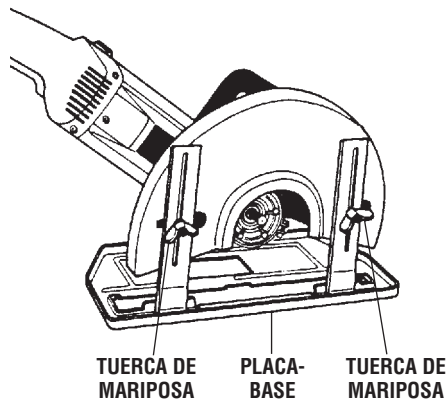
### AJUSTE DE LA PROFUNDIDAD DE CORTE

Afloje las tuercas de mariposa, suba o baje la placa-base hasta la profundidad deseada y apriete firmemente a mano las tuercas de mariposa.

**⚠ ADVERTENCIA** Para evitar el retroceso y que la herramienta sufra daños, ajuste siempre la placa-base a una profundidad tal que las pestañas, interior o exterior, nunca entren en contacto con la superficie de la pieza de trabajo.



INTERRUPTOR DE PALETA



TUERCA DE MARIPOSA

PLACA-BASE

TUERCA DE MARIPOSA

## FUNCIONAMIENTO DE LA HERRAMIENTA

Si se siguen unos cuantos consejos sencillos, se reducirán el desgaste de la herramienta y las posibilidades de que el operador sufra lesiones.

**⚠ ADVERTENCIA** Esta máquina no está diseñada para utilizarse con ruedas adiamantadas mojadas. La utilización de agua u otros refrigerantes líquidos con esta máquina puede ocasionar electrocución o sacudidas eléctricas. El uso de ruedas adiamantadas secas es aceptable.

### APLICACIONES

Esta herramienta está diseñada para cortar los siguientes materiales:

Chapa de acero de 1/8" de grosor como máximo.

Bloques de concreto y ladrillos.

Varilla de refuerzo, generalmente de menos de 3/4" de diámetro.

Malla de alambre para concreto de 1/8".

Encofrados de pisos y techos corrugados (encofrados de concreto).

Conductos eléctricos con un grosor de pared de 1/8".

Formas estructurales con un grosor máximo de 1/8", tales como: canales, ángulos, placa, etc.

### RUEDAS ABRASIVAS

Utilice ruedas de óxido de aluminio para cortar metal.

Utilice ruedas de carburo de silicio para cortar mampostería.

Utilice ruedas adiamantadas secas para cortar concreto. La rueda adiamantada seca permanece más fría, se atasca menos y dura más.

1. Antes de hacer funcionar una máquina de rueda abrasiva, inspeccione la rueda de corte para ver si tiene astillas o grietas. Cambie inmediatamente las ruedas en mal estado. Las ruedas nuevas deben hacerse funcionar inicialmente sin carga o al menos un minuto orientadas de manera que se alejen de las otras personas que se encuentren presentes. Normalmente, las ruedas imperfectas se romperán durante este período.

2. NUNCA se debe hacer funcionar una máquina de rueda abrasiva sin el protector colocado firmemente en su sitio. El protector debe estar girado hasta la posición en la que se proporciona máxima protección al operador contra las chispas y la periferia de la rueda.

3. La indumentaria adecuada para utilizar la herramienta incluye protección de los ojos, guantes de caucho, máscara antipolvo y un delantal de taller.

4. Con la herramienta apagada, familiarícese con el manejo de la misma. Controle la cabeza de la herramienta con el mango lateral. Controle el borde de corte de la rueda con el mango del interruptor. Use siempre las dos manos cuando utilice la herramienta.

5. Nunca deje caer la herramienta. Apóyela suavemente, pero nunca sobre la rueda.

6. Al CORTAR CONCRETO se lanzarán grandes cantidades de polvo al área circundante.

Se recomienda encarecidamente el uso de máscaras protectoras antipolvo como protección respiratoria para el operador y otros trabajadores que se encuentren cerca.

7. Debido al tamaño y al peso de la máquina de rueda abrasiva, no se recomienda su uso en alto ni en cualquier posición que no permita un control adecuado. Las escaleras de mano y los andamios no se consideran estructuras de soporte sólidas.

8. Evite sobrecargar la herramienta. No deje que la rueda se atasque ni se detenga. Muchos cortes, especialmente en concreto macizo, requieren pasadas sucesivas. No deje al descubierto más cantidad de rueda abrasiva de la que sea necesaria para cortar ejerciendo una cantidad normal de presión sobre la herramienta.

Empiece a cortar desde el borde del material, comenzando con aproximadamente 1" de la rueda al descubierto. No fuerce la herramienta; sométala a carga de manera normal. Según la dureza y densidad del material, haga pasadas sucesivas cada vez más profundas hasta terminar el corte.

### DISPARO DE AVANCE/DISPARO INVERSO

Los modelos 1364 y 1365 se envían con la máquina de rueda abrasiva ajustada en la posición de disparo de avance. Ambos modelos pueden convertirse fácilmente a la posición de disparo inverso sin necesidad de accesorios adicionales.

La posición de disparo de avance dirige las chispas, el polvo y los residuos alejándolos del operador.

La posición de disparo inverso cambia el sentido de giro, con lo que las chispas, el polvo y los residuos se dirigen hacia el operador.

La posición de disparo adecuada depende de cómo se esté sujetando la herramienta, del sentido de desplazamiento y de la preferencia personal. Recuerde siempre que la razón de que la herramienta cuente con esta característica es poder dirigir las chispas, el polvo y los residuos de manera que se alejen del operador.

### APLICACIONES DE DISPARO INVERSO

A continuación se dan algunos ejemplos de cuándo puede ser conveniente cambiar la herramienta a la posición de disparo inverso.

- Al cortar en posición vertical para dirigir los residuos hacia los pies en lugar de hacia la cara del operador.
- Al tirar de la herramienta a través de la pieza de trabajo en lugar de empujarla.
- Al trabajar en áreas confinadas cerca de una pared.
- Comodidad personal.



### INVERSION DEL SENTIDO DE DISPARO

Sin embargo, recomendamos encarecidamente hacer que esta tarea la realice un Centro de Servicio Bosch autorizado.

1. Desconecte el enchufe de la fuente de energía.
2. Quite la rueda abrasiva.
3. Afloje las tuercas de mariposa lo suficiente para permitir que las cabezas de los tornillos se deslicen hasta salir de los agujeros de montaje de la placa-base provistos en el protector, y quite la placa-base.
4. Quite los cuatro tornillos de la caja de engranajes y gire dicha caja 180°. Vuelva a colocar los tornillos de la caja y apriételes firmemente.

5. Afloje el tornillo de sombrerete de fijación del protector, gire el protector hasta lograr una cobertura máxima de la rueda y apriete firmemente el tornillo de sombrerete de fijación del protector con la llave de tuerca suministrada.

6. Quite los pernos de montaje del mango auxiliar, reposicione el mango utilizando el agujero auxiliar que se encuentra en el mismo, vuelva a colocar los pernos de montaje y apriete el mango firmemente.
7. Vuelva a montar la placa-base y la rueda abrasiva.

## Mantenimiento

### **⚠ ADVERTENCIA**

**Servicio**  
El mantenimiento preventivo realizado por personal no autorizado puede dar lugar a la colocación incorrecta de cables y componentes internos que podría constituir un peligro serio. Recomendamos que todo el servicio de las herramientas sea realizado por un Centro de servicio de fábrica Bosch o por una Estación de servicio Bosch autorizada.

### LUBRICACIÓN DE LAS HERRAMIENTAS

Su herramienta Bosch ha sido lubricada adecuadamente y está lista para la utilización. Se recomienda que las herramientas con engranajes se vuelvan a engrasar con un lubricante especial para engranajes en cada cambio de escobillas.

### ESCOBILLAS DE CARBÓN

Las escobillas y el conmutador de la herramienta han sido diseñados para muchas horas de servicio fiable. Para mantener un rendimiento óptimo del motor, recomendamos que cada dos a seis meses se examinen las escobillas. Sólo se deben usar escobillas de repuesto Bosch genuinas diseñadas específicamente para su herramienta.

### RODAMIENTOS

Después de 300-400 horas de funcionamiento, o después de cada segundo cambio de escobillas, los

rodamientos deben cambiarse en un Centro de servicio de fábrica Bosch o en una Estación de servicio Bosch autorizada. Los rodamientos que se vuelven ruidosos (debido a la pesada carga o al corte de materiales muy abrasivos) deben ser sustituidos inmediatamente para evitar el sobrecalentamiento o el fallo del motor.

### **⚠ ADVERTENCIA**

**Limpieza**  
Para evitar accidentes desconecte siempre la herramienta de la fuente de energía antes de la limpieza o de la realización de cualquier mantenimiento. La herramienta se puede limpiar más eficazmente con aire comprimido seco. Use gafas de seguridad siempre que limpie herramientas con aire comprimido.

Las aberturas de ventilación y las palancas de interruptor deben mantenerse limpias y libres de materias extrañas. No intente limpiar introduciendo objetos puntiagudos a través de las aberturas.

### **⚠ PRECAUCION**

Ciertos agentes de limpieza y disolventes dañan las piezas de plástico. Algunos de estos son: gasolina, tetracloruro de carbono, disolventes de limpieza clorados, amoníaco y detergentes domésticos que contienen amoníaco.

## Cordones de extensión

**⚠ ADVERTENCIA** Si es necesario un cordón de extensión, se debe usar un cordón con conductores de tamaño adecuado que sea capaz de transportar la corriente necesaria para la herramienta. Esto evitará caídas de tensión excesivas, pérdida de potencia o recalentamiento. Las herramientas conectadas a tierra deben usar cordones de extensión de 3 hilos que tengan enchufes de 3 terminales y receptáculos para 3 terminales.

**NOTA:** Cuanto más pequeño es el número de calibre, más grueso es el cordón.

### TAMAÑOS RECOMENDADOS DE CORDONES DE EXTENSION HERRAMIENTAS DE 120 V CORRIENTE ALTERNA

Capacidad nominal en amperes de la herramienta	Tamaño del cordón en A.W.G.				Tamaños del cable en mm <sup>2</sup>			
	Longitud del cordón en pies				Longitud del cordón en metros			
	25	50	100	150	15	30	60	120
3-6	18	16	16	14	0,75	0,75	1,5	2,5
6-8	18	16	14	12	0,75	1,0	2,5	4,0
8-10	18	16	14	12	0,75	1,0	2,5	4,0
10-12	16	16	14	12	1,0	2,5	4,0	—
12-16	14	12	—	—	—	—	—	—

## Accesorios

Mango auxiliar\*  
 Protector de la rueda\*  
 Placa-base\*  
 Pestaña interior\*  
 Pestaña exterior\*  
 Llave Allen de 3/8\*\*

Llave Allen de 6 mm\*  
 Tuerca del eje portaherramienta de 7/8\*\*  
 Tuerca del eje portaherramienta de 1\*\*  
 Tuerca de fijación de 20 mm\*\*  
 Llave de tuerca de boca abierta de 22 mm\*\*  
 Estuche metálico\*\*

(\* = equipo estándar)

(\*\* = accesorios opcionales)

**Notes:**

**Remarques :**

**Notas:**

### LIMITED WARRANTY OF BOSCH PORTABLE AND BENCHTOP POWER TOOLS

Robert Bosch Tool Corporation ("Seller") warrants to the original purchaser only, that all BOSCH portable and benchtop power tools will be free from defects in material or workmanship for a period of one year from date of purchase. SELLER'S SOLE OBLIGATION AND YOUR EXCLUSIVE REMEDY under this Limited Warranty and, to the extent permitted by law, any warranty or condition implied by law, shall be the repair or replacement of parts, without charge, which are defective in material or workmanship and which have not been misused, carelessly handled, or misrepaired by persons other than Seller or Authorized Service Station. To make a claim under this Limited Warranty, you must return the complete portable or benchtop power tool product, transportation prepaid, to any BOSCH Factory Service Center or Authorized Service Station. For Authorized BOSCH Power Tool Service Stations, please refer to your phone directory.

THIS LIMITED WARRANTY DOES NOT APPLY TO ACCESSORY ITEMS SUCH AS CIRCULAR SAW BLADES, DRILL BITS, ROUTER BITS, JIGSAW BLADES, SANDING BELTS, GRINDING WHEELS AND OTHER RELATED ITEMS.

ANY IMPLIED WARRANTIES SHALL BE LIMITED IN DURATION TO ONE YEAR FROM DATE OF PURCHASE. SOME STATES IN THE U.S., SOME CANADIAN PROVINCES DO NOT ALLOW LIMITATIONS ON HOW LONG AN IMPLIED WARRANTY LASTS, SO THE ABOVE LIMITATION MAY NOT APPLY TO YOU.

IN NO EVENT SHALL SELLER BE LIABLE FOR ANY INCIDENTAL OR CONSEQUENTIAL DAMAGES (INCLUDING BUT NOT LIMITED TO LIABILITY FOR LOSS OF PROFITS) ARISING FROM THE SALE OR USE OF THIS PRODUCT. SOME STATES IN THE U.S. AND SOME CANADIAN PROVINCES DO NOT ALLOW THE EXCLUSION OR LIMITATION OF INCIDENTAL OR CONSEQUENTIAL DAMAGES, SO THE ABOVE LIMITATION OR EXCLUSION MAY NOT APPLY TO YOU.

THIS LIMITED WARRANTY GIVES YOU SPECIFIC LEGAL RIGHTS, AND YOU MAY ALSO HAVE OTHER RIGHTS WHICH VARY FROM STATE TO STATE IN THE U.S., PROVINCE TO PROVINCE IN CANADA AND FROM COUNTRY TO COUNTRY.

THIS LIMITED WARRANTY APPLIES ONLY TO PORTABLE AND BENCHTOP ELECTRIC TOOLS SOLD WITHIN THE UNITED STATES OF AMERICA, CANADA AND THE COMMONWEALTH OF PUERTO RICO. FOR WARRANTY COVERAGE WITHIN OTHER COUNTRIES, CONTACT YOUR LOCAL BOSCH DEALER OR IMPORTER.

### GARANTIE LIMITÉE DES OUTILS ÉLECTRIQUES PORTATIFS ET D'ÉTABLI BOSCH

Robert Bosch Tool Corporation (le « vendeur ») garantit à l'acheteur initial seulement que tous les outils électriques portatifs et d'établi BOSCH seront exempts de vices de matériaux ou d'exécution pendant une période d'un an depuis la date d'achat. LA SEULE OBLIGATION DU VENDEUR ET LE SEUL RECOURS DE L'ACHETEUR sous la présente garantie limitée, et en autant que la loi le permette sous toute garantie ou condition implicite qui en découlerait, sera l'obligation de remplacer ou réparer gratuitement les pièces défectueuses matériellement ou comme fabrication, pourvu que lesdites défectosités ne soient pas attribuables à un usage abusif ou à quelque réparation bricolée par quelqu'un d'autre que le vendeur ou le personnel d'une station-service agréée. Pour présenter une réclamation en vertu de cette garantie limitée, vous devez renvoyer l'outil électrique portatif ou d'établi complet, port payé, à tout centre de service agréé ou centre de service usine. Veuillez consulter votre annuaire téléphonique pour les adresses.

LA PRÉSENTE GARANTIE NE S'APPLIQUE PAS AUX ACCESSOIRES TELS QUE LAMES DE SCIES CIRCULAIRES, MÊCHES DE PERCEUSES, FERS DE TOUPIES, LAMES DE SCIES SAUTEUSES, COURROIES DE PONÇAGE, MEULES ET AUTRES ARTICLES DU GENRE.

TOUTE GARANTIE IMPLICITE SERA LIMITÉE COMME DURÉE À UN AN À COMPTER DE LA DATE D'ACHAT. CERTAINS ÉTATS AMÉRICAINS, CERTAINES PROVINCES CANADIENNES N'ADMETTANT PAS LE PRINCIPE DE LA LIMITATION DE LA DURÉE DES GARANTIES IMPLICITES, IL EST POSSIBLE QUE LES LIMITATIONS CI-DESSUS NE S'APPLIQUENT PAS À VOTRE CAS.

EN AUCUN CAS LE VENDEUR NE SAURAIT ÊTRE TENU POUR RESPONSABLE DES INCIDENTS OU DOMMAGES INDIRECTS (INCLUANT, MAIS NE SE LIMITANT PAS AUX PERTES DE PROFITS) CONSÉCUTIFS À LA VENTE OU L'USAGE DE CE PRODUIT. CERTAINS ÉTATS AMÉRICAINS ET CERTAINES PROVINCES CANADIENNES N'ADMETTANT PAS LE PRINCIPE DE LA LIMITATION NI L'EXCLUSION DES DOMMAGES INDIRECTS ET CONSÉQUENTIELS, IL EST POSSIBLE QUE LES LIMITATIONS OU EXCLUSIONS CI-DESSUS NE S'APPLIQUENT PAS À VOTRE CAS.

LA PRÉSENTE GARANTIE VOUS ACCORDE DES DROITS BIEN DÉTERMINÉS, Y COMPRIS POSSIBLEMENT CERTAINS DROITS VARIABLES DANS LES DIFFÉRENTS ÉTATS AMÉRICAINS, PROVINCES CANADIENNE ET DE PAYS À PAYS.

CETTE GARANTIE LIMITÉE NE S'APPLIQUE QU'AUX OUTILS ÉLECTRIQUES PORTATIFS ET D'ÉTABLI VENDUS AUX ÉTATS-UNIS D'AMÉRIQUE, AU CANADA ET AU COMMONWEALTH DE PORTO RICO. POUR COUVERTURE DE GARANTIE DANS LES AUTRES PAYS, CONTACTEZ VOTRE IMPORTATEUR OU REVENDEUR BOSCH LOCAL.

### GARANTIA LIMITADA PARA HERRAMIENTAS MECANICAS PORTATILES Y PARA TABLERO DE BANCO BOSCH

Robert Bosch Tool Corporation ("el Vendedor") garantiza, únicamente al comprador original, que todas las herramientas mecánicas portátiles y para tablero de banco BOSCH estarán libres de defectos de material o de fabricación durante un periodo de un año a partir de la fecha de compra. LA ÚNICA OBLIGACION DEL VENDEADOR Y EL RECURSO EXCLUSIVO QUE USTED TIENE bajo esta Garantía Limitada y, hasta donde la ley lo permita, bajo cualquier garantía o condición implicita por ley, consistirá en la reparación o sustitución sin costo de las piezas que presenten defectos de material o de fabricación y que no hayan sido utilizadas incorrectamente, manejadas descuidadamente o reparadas incorrectamente por personas que no sean el Vendedor o una Estación de servicio autorizada. Para efectuar una reclamación bajo esta Garantía Limitada, usted debe devolver el producto, que consiste en la herramienta mecánica portátil o para tablero de banco completa, con el transporte pagado, a cualquier Centro de servicio de fábrica o Estación de servicio autorizada. Para Estaciones de servicio autorizadas de herramientas mecánicas BOSCH, por favor, consulte el directorio telefónico.

ESTA GARANTIA LIMITADA NO SE APLICA A ARTICULOS ACCESORIOS TALES COMO HOJAS PARA SIERRAS CIRCULARES, BROCAS PARA TALADROS, BROCAS PARA FRESADORAS, HOJAS PARA SIERRAS DE VAIVEN, CORREAS PARA LIJAR, RUEDAS DE AMOLAR Y OTROS ARTICULOS RELACIONADOS.

TODAS LAS GARANTIAS IMPLICITAS TENDRAN UNA DURACION LIMITADA A UN AÑO A PARTIR DE LA FECHA DE COMPRA. ALGUNOS ESTADOS DE LOS EE.UU. Y ALGUNAS PROVINCIAS CANADIENSES NO PERMITEN LIMITACIONES EN CUANTO A LA DURACION DE UNA GARANTIA IMPLICITA, POR LO QUE ES POSIBLE QUE LA LIMITACION ANTERIOR NO SEA APLICABLE EN EL CASO DE USTED.

EL VENDEADOR NO SERA RESPONSABLE EN NINGUN CASO DE NINGUN DAÑO INCIDENTAL O EMERGENTE (INCLUYENDO PERO NO LIMITADO A RESPONSABILIDAD POR PERDIDA DE BENEFICIOS) QUE SE PRODUZCA COMO CONSECUENCIA DE LA VENTA O UTILIZACION DE ESTE PRODUCTO. ALGUNOS ESTADOS DE LOS EE.UU. Y ALGUNAS PROVINCIAS CANADIENSES NO PERMITEN LA EXCLUSION O LIMITACION DE LOS DAÑOS INCIDENTALES O EMERGENTES, POR LO QUE ES POSIBLE QUE LA LIMITACION O EXCLUSION ANTERIOR NO SEA APLICABLE EN EL CASO DE USTED.

ESTA GARANTIA LIMITADA LE CONFIERE A USTED DERECHOS LEGALES ESPECIFICOS Y ES POSIBLE QUE USTED TAMBIEN TENGA OTROS DERECHOS QUE VARIAN DE ESTADO A ESTADO EN LOS EE.UU., DE PROVINCIA A PROVINCIA EN CANADA Y DE UN PAIS A OTRO.

ESTA GARANTIA LIMITADA SE APLICA SOLAMENTE A HERRAMIENTAS ELECTRICAS PORTATILES Y PARA TABLERO DE BANCO VENDIDAS EN LOS ESTADOS UNIDOS DE AMERICA, CANADA Y EL ESTADO LIBRE ASOCIADO DE PUERTO RICO. PARA COBERTURA DE GARANTIA EN OTROS PAISES, PONGASE EN CONTACTO CON SU DISTRIBUIDOR O IMPORTADOR LOCAL DE BOSCH.

© Robert Bosch Tool Corporation 1800 W. Central Road Mt. Prospect, IL 60056-2230

Exportado por: Robert Bosch Tool Corporation Mt. Prospect, IL 60056-2230, E.U.A.

Importado en México por: Robert Bosch, S.A. de C.V., Calle Robert Bosch No. 405, Zona Industrial, Toluca, Edo. de México, C.P. 50070, Tel. (722) 2792300

## Free Manuals Download Website

<http://myh66.com>

<http://usermanuals.us>

<http://www.somanuals.com>

<http://www.4manuals.cc>

<http://www.manual-lib.com>

<http://www.404manual.com>

<http://www.luxmanual.com>

<http://aubethermostatmanual.com>

Golf course search by state

<http://golfingnear.com>

Email search by domain

<http://emailbydomain.com>

Auto manuals search

<http://auto.somanuals.com>

TV manuals search

<http://tv.somanuals.com>