

# OWNER'S GUIDE



**ASSEMBLY • OPERATION • MAINTENANCE • PARTS**

## EDGER

**Important:**  
**Read Safety Rules and**  
**Instructions Carefully**

**Model Number**  
**241-595A**

Thank you for purchasing an  
American built product.

## LIMITED WARRANTY

For one year from the date of original retail purchase, MTD PRODUCTS INC will either repair or replace, at its option, free of charge, F.O.B. factory or authorized service firm, any part or parts found to be defective in material or workmanship. Transportation charges for any parts submitted for replacement under this warranty must be paid by the purchaser unless such return is requested by MTD PRODUCTS INC.

This warranty will not apply to any part which has become inoperative due to misuse, excessive use, accident, neglect, improper maintenance, alterations, or unless the unit has been operated and maintained in accordance with the instructions furnished. This warranty does not apply to the engine, motor, battery, battery charger or component parts thereof. Please refer to the applicable manufacturer's warranty on these items.

This warranty will not apply where the unit has been used commercially.

Warranty service is available through your local authorized service dealer or distributor. If you do not know the dealer or distributor in your area, please write to the Customer Service Department of MTD.

The return of a complete unit will not be accepted by the factory unless prior written permission has been extended by MTD.

This warranty gives you specific legal rights. You may also have other rights which vary from state to state.



WARNING

### TO PURCHASERS OF INTERNAL COMBUSTION ENGINE EQUIPPED MACHINERY OR DEVICES IN THE STATE OF CALIFORNIA

The equipment which you have just purchased does not have a spark arrester. If this equipment is used on any forest covered land, brush covered land, or grass covered unimproved land in the State of California, before using on such land, the California law requires that a spark arrester be provided. In addition, spark arrester is required by law to be in effective working order. The spark arrester must be attached to the exhaust system and comply with Section 4442 of the California Public Resources Code.

# **IMPORTANT**

It is suggested that this manual be read in its entirety before attempting to assemble or operate. Keep this manual in a safe place for future reference and for ordering replacement parts.

This unit is shipped WITHOUT GASOLINE or OIL. After assembly, see operating section of this manual for proper fuel and amount:

## **SAFE OPERATION PRACTICES FOR EDGERS**

### **TRAINING**

1. Read the Operating and Service Instruction Manual carefully. Be thoroughly familiar with the controls and the proper use of the equipment.
2. Never allow children to operate a power edger.
3. Keep the area of operation clear of all persons, particularly small children and pets.
5. If the equipment should start to vibrate abnormally, stop the engine and check immediately for the cause. Vibration is generally a warning of trouble.
6. Stop the engine whenever you leave the equipment, before cleaning the guard assembly, and when making any repairs or inspections.
7. When cleaning, repairing or inspecting, make certain the blade and all moving parts have stopped. Disconnect the spark plug wire, and keep the wire away from the plug to prevent accidental starting.
8. Do not run the engine indoors.
9. Shut the engine off and wait until the blade comes to a complete stop before unclogging guard assembly.

### **PREPARATION**

1. Thoroughly inspect the area where the equipment is to be used and remove all stones, sticks, wire, bones and other foreign objects.
2. Do not operate equipment when barefoot or wearing open sandals. Always wear substantial footwear.
3. Check the fuel before starting the engine. Do not fill the gasoline tank indoors, when the engine is running, or while the engine is still hot. Wipe off any spilled gasoline before starting the engine.
4. Disengage the blade clutch on units so equipped before starting the engine.
5. Never attempt to make a wheel adjustment while the engine is running.
6. Never operate the equipment in wet grass. Always be sure of your footing; keep a firm hold on the handle and walk, never run.

### **OPERATION**

1. Do not change the engine governor settings or overspeed the engine.
2. Do not put hands or feet near or under rotating parts. Keep clear of the discharge opening at all times.
3. Stop the blade(s) when crossing gravel drive, walks or roads.
4. After striking a foreign object, stop the engine, remove the wire from the spark plug, thoroughly inspect the edger for any damage, and repair the damage before restarting and operating the edger.

### **MAINTENANCE AND STORAGE**

1. Check the blade and engine mounting bolts at frequent intervals for proper tightness.
2. Keep all nuts, bolts, and screws tight to be sure the equipment is in safe working condition.
3. Never store the equipment with gasoline in the tank inside of a building where fumes may reach an open flame or spark. Allow the engine to cool before storing in any enclosure.
4. To reduce fire hazard, keep the engine free of grass, leaves, or excessive grease.

# ASSEMBLY

## TOOLS REQUIRED

- (1) Adjustable wrench or 3/4" open end or box wrench
- (2) 7/16" open end or box wrench
- (1) 9/16" open end or box wrench

## CONTENTS IN HARDWARE PACK

(See figure 1.)

- A (3) Shoulder Bolts 3/8-16 Thread
- B (3) Belleville Washers
- C (3) Lock Washers
- D (3) Hex Nuts 3/8-16 Thread
- E (2) Hex Bolts 1/4-20 x 1 1/4" Long
- F (6) Lock Washers 1/4" I.D.
- G (6) Hex Nuts 1/4-20 Thread
- H (1) Compression Spring
- I (4) Carriage Bolts 1/4-20 x 1 1/4" Long
- J (2) Cotter Pins

## LOOSE PARTS IN CARTON

(See figure 2.)

- K (1) Upper Handle
- L (1) Preassembled Clutch Plate Ass'y.
- M (1) Lower Handle
- N (1) Clutch Rod
- O (1) Front Wheel 6" Dia.
- P (2) Rear Wheels 7" Dia.

Your new edger is shipped preassembled with the exception of the handle, rear wheels and front wheel.

1. Remove the edger and all parts from the carton. Make certain that all loose parts and literature are removed from carton before carton is discarded.

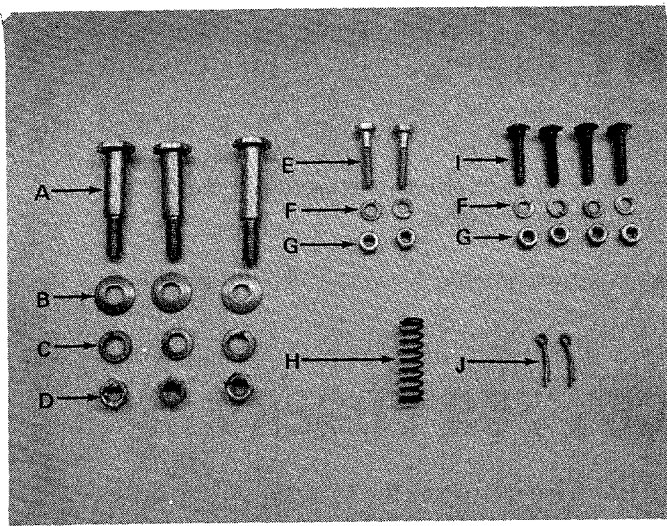


FIGURE 1.

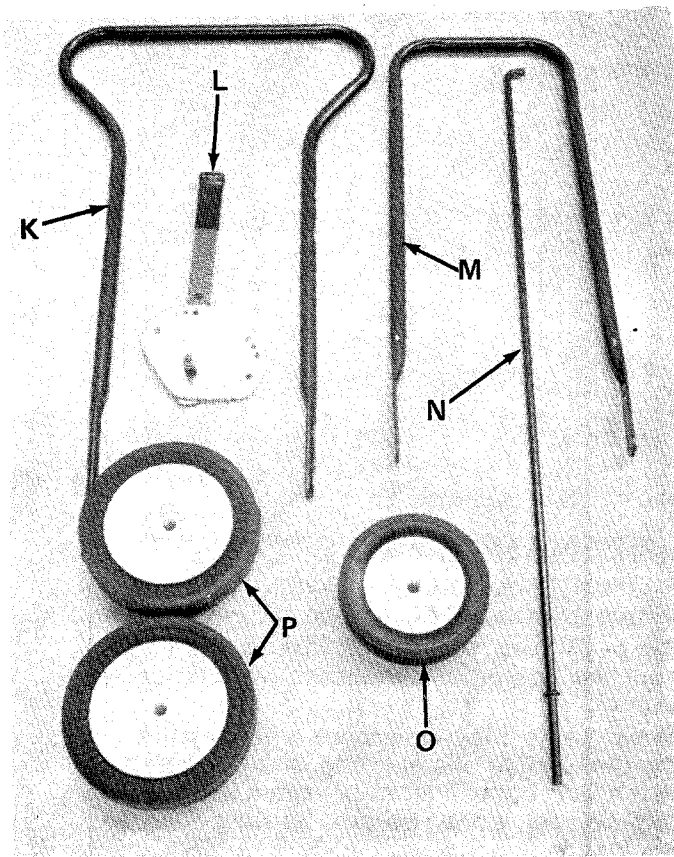


FIGURE 2.

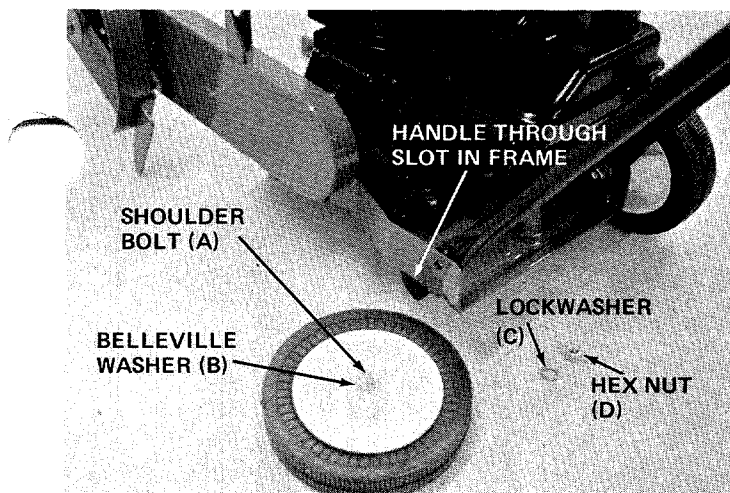


FIGURE 3.

2. Place lower handle into the slots in the rear frame. See figure 3.
3. Line up holes in handle with holes in frame. See figure 3.
4. Secure rear wheels (P), lower handle (M) to frame with shoulder bolts (A), belleville washers (B), lock washers (C) and hex nuts (D). See figure 3.

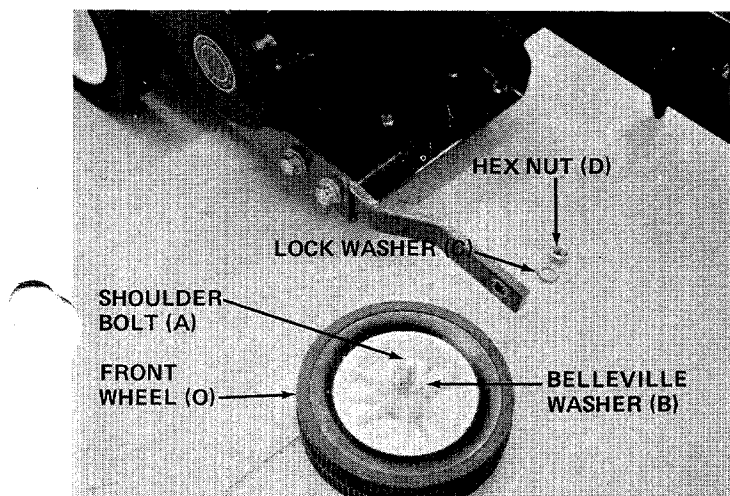


FIGURE 4.

5. Assemble the front wheel (O) as shown in figure 4. Place shoulder bolt (A) through wheel, next belleville washer (B) (between wheel and frame). Secure with lockwasher (C) and hex nut (D). See figure 4.

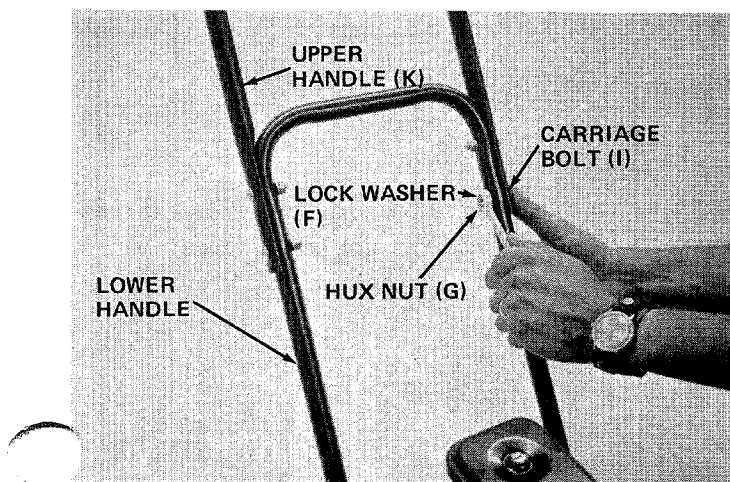


FIGURE 5.

6. Assemble the upper handle (K) to lower handle. Place the head of carriage bolts (I) to the outside of handle. Secure with lock washers (F) and hex nuts (G). See figure 5.

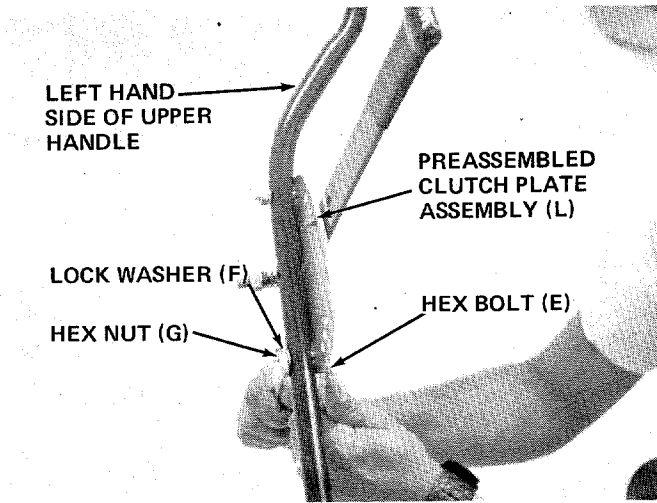


FIGURE 6.

**NOTE**

Right and left hand side is determined from behind the edger, in the operators position.

7. Place preassembled clutch plate assembly (L) on the left hand side of upper handle. Secure in place with hex bolts (E), lockwashers (F) and hex nuts (G). See figure 6.

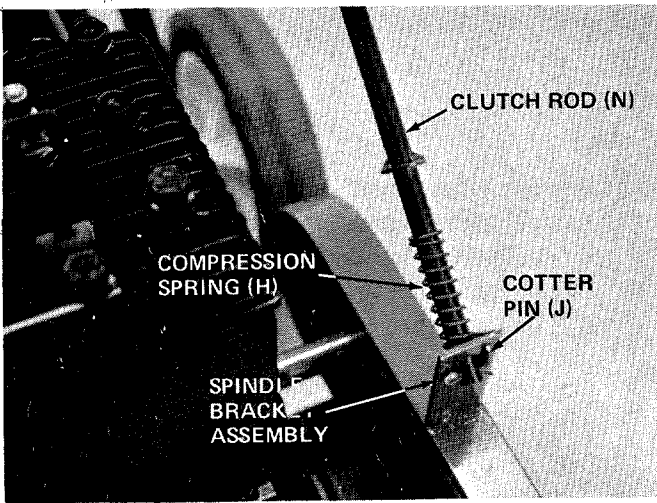


FIGURE 7.

8. Place compression spring (H) over straight end of clutch rod (N). Place end of rod in spindle bracket assembly and secure with cotter pin (J). See figure 7.

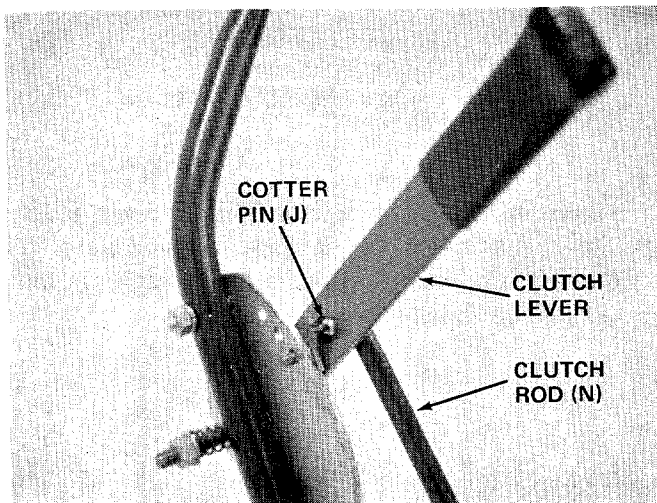


FIGURE 8.

9. Place hook end of clutch rod (N) in clutch lever. Secure with cotter pin (J). See figure 8.

# CONTROLS

**Engine** - The engine has a choke. See figure 9.

**Depth Control Adjustment** - The clutching and declutching of the belt is accomplished by moving the clutch lever. To declutch pull the clutch lever towards you as you operate the edger. The farther you push the clutch lever forward the deeper the cut.

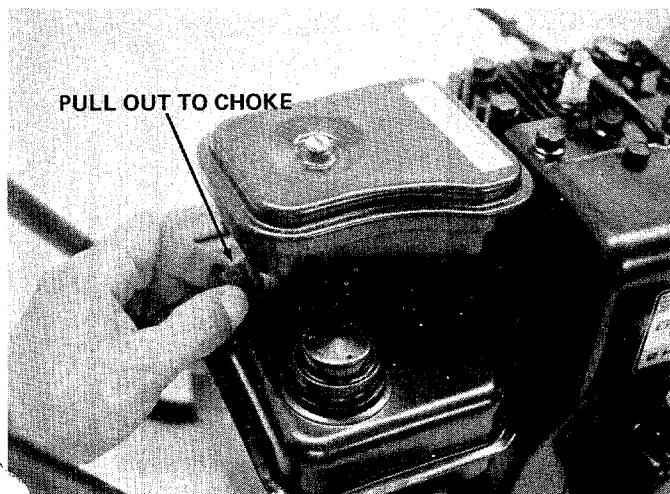


FIGURE 9

# STARTING INSTRUCTIONS

1. Fill the crankcase with oil. See lubrication section of this manual.
2. Fill the gasoline tank with "regular" gasoline.
3. Pull the choke control out to "choke" position if necessary.
4. Grasp the starter handle and pull out the cord rapidly. Return it slowly to the engine.



The manufacturer recommends that the operator wear safety glasses or some other suitable eye protection.

# STOPPING

To stop the edger engine push the grounding clip against the spark plug. See figure 10.

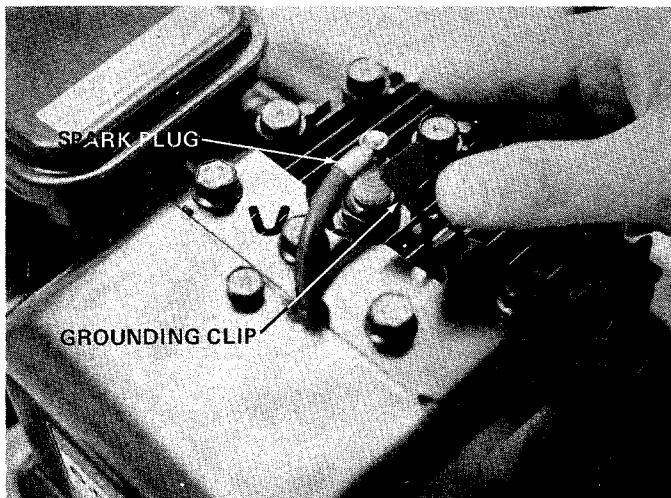


FIGURE 10

# LUBRICATION

**Engine** - Fill sump with oil. Use a high quality detergent oil classified "For Service MS". Nothing should be added to the recommended oil. **SUMMER**- Use SAE 30. **WINTER**-(Below 40°F.) Use SAE 5W-20 or SAE 10W.

Directions: Place the engine level. Remove filler plug. FILL THE OIL SUMP TO POINT OF OVERFLOW. Pour slowly. See figure 11.

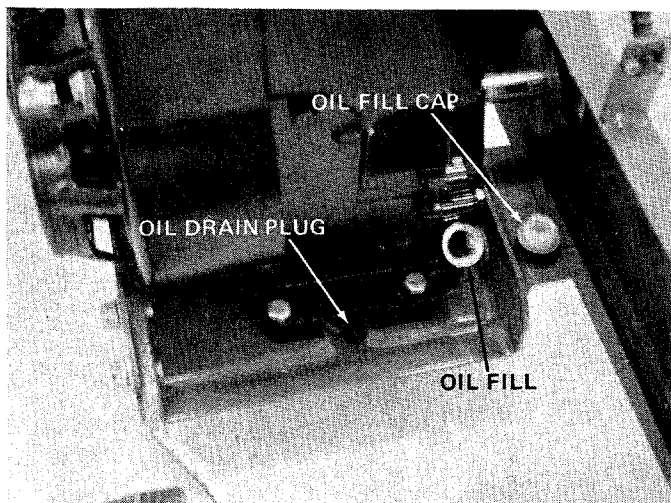


FIGURE 11



**Wheels**— The wheels require no lubrication.

**Spindle Bearing**— The ball bearing in the spindle is lubricated and sealed at the factory and requires no lubrication. Lubricate all other moving parts with engine oil.

## ADJUSTMENTS



**DO NOT** make any adjustments or maintenance until you remove the spark plug wire and ground, to prevent starting.

The front wheel is adjustable for raising and lowering the edger to give you added cutting depth.

1. Loosen the second bolt on the front wheel support bracket. Pivot the bracket up or down to desired height. Retighten bolt. See figure 12.

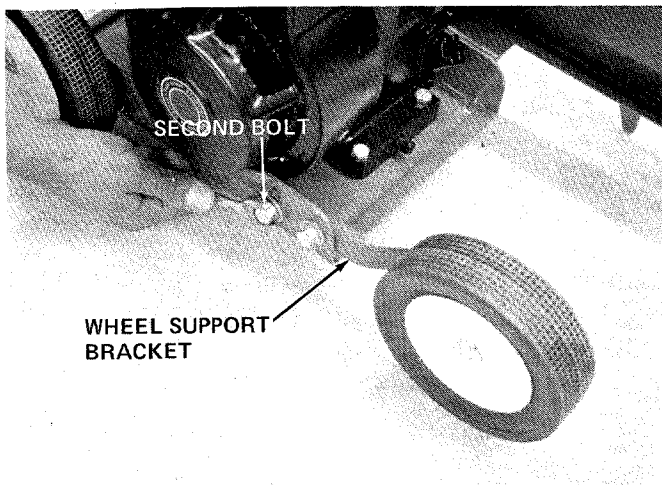


FIGURE 12

## MAINTENANCE



**DO NOT** make any adjustments or maintenance until you remove the spark plug wire and ground, to prevent starting.

**Blade Removal**— Hold head of spindle bolt with a 3/4" or adjustable wrench and remove spindle nut. See figure 13.

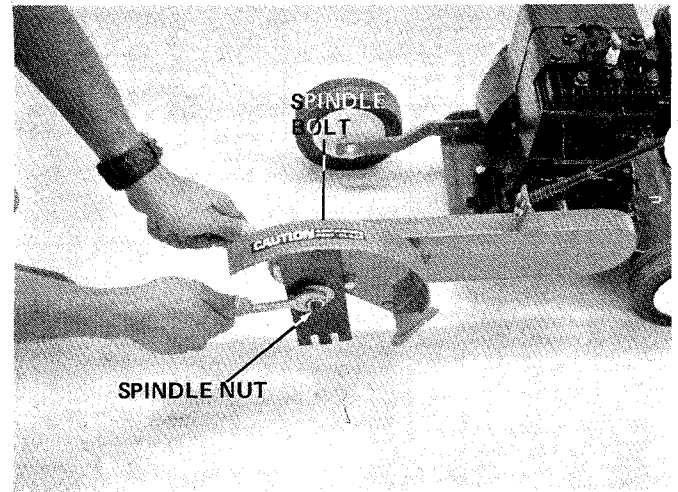


FIGURE 13

**Belt Removal**— Remove the spark plug wire and ground. Remove the gasoline.

1. Tip the edger back so that it rests on the handle.
2. Remove the cotter pin securing the castle nut on the bottom of belt cover. See figure 14.

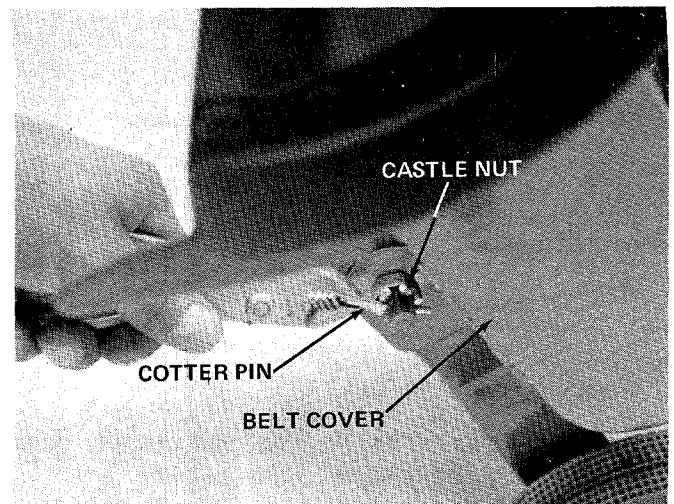
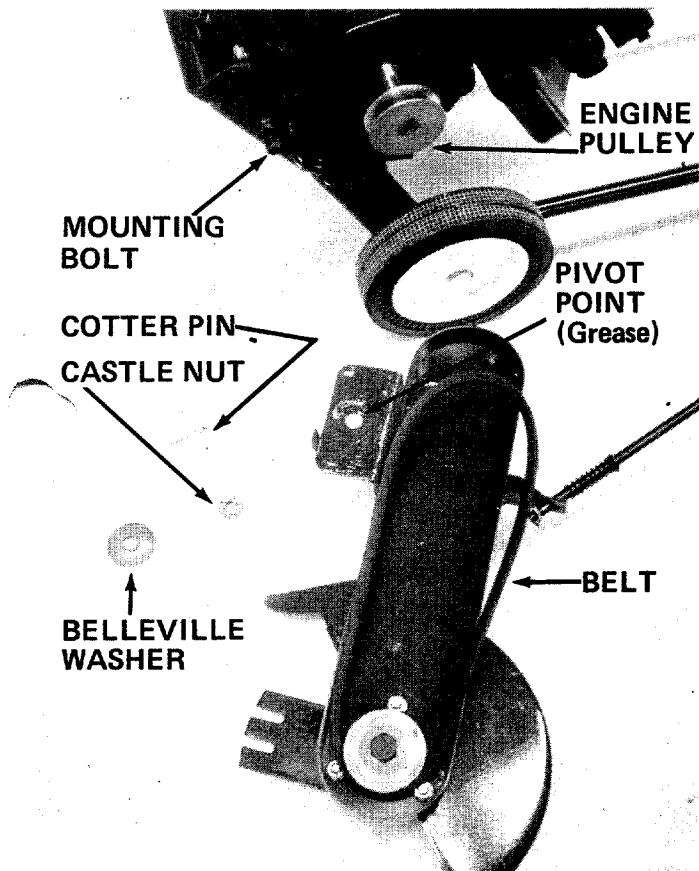


FIGURE 14

3. Lift off the hex castle nut, Belleville washer and belt cover. See figure 15.



4. Remove the old belt and replace with new belt.
5. While the belt cover is removed it is a good idea to apply a little grease to the pivot point on belt cover. See figure 15.
6. Reassemble the belt cover making sure the new belt is over the engine pulley.
7. When tightening the castle nut (DO NOT OVER TIGHTEN) only tighten enough to line up hole in bolt for cotter pin. Belt cover must pivot freely. See figure 15.

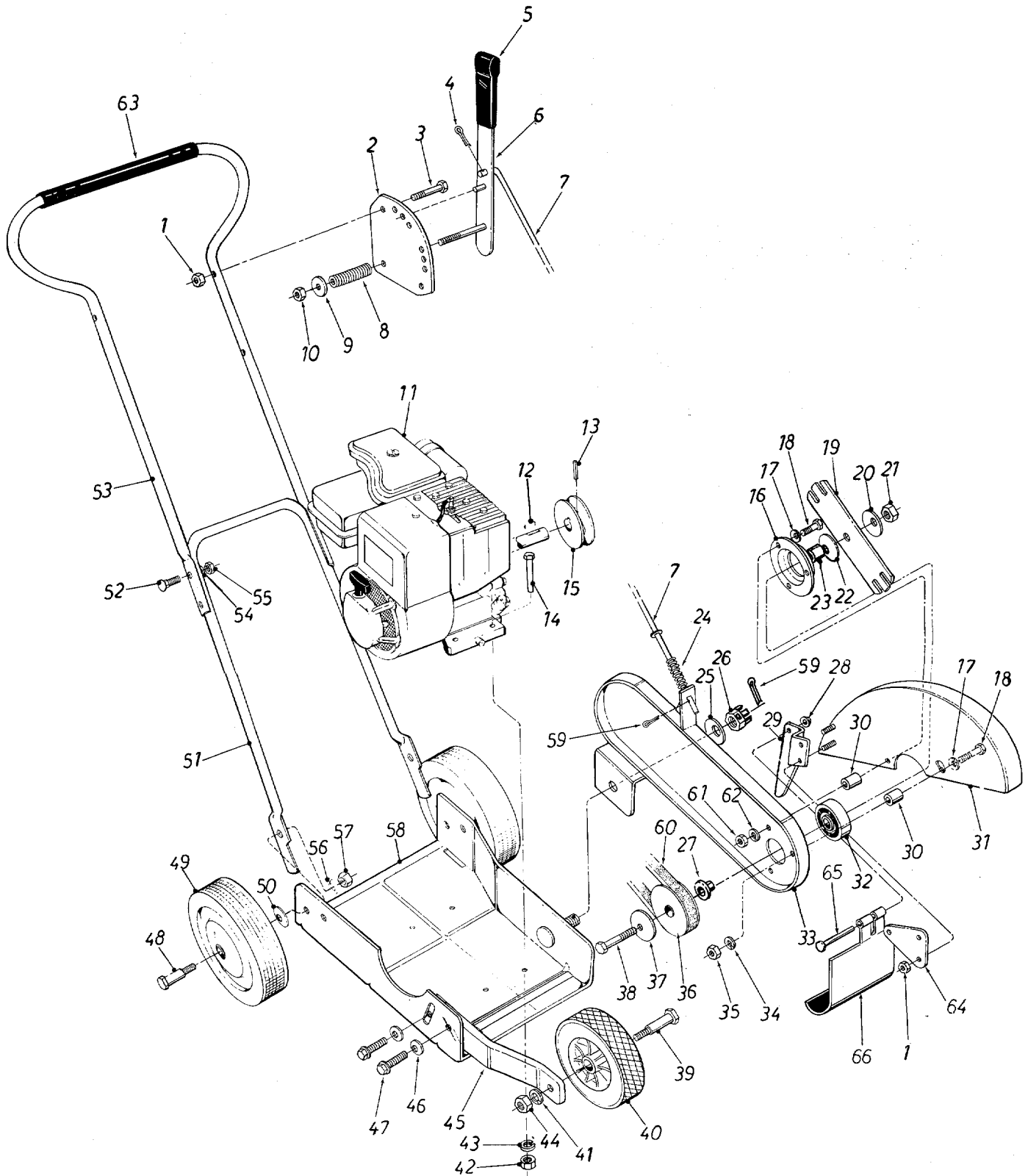


**FIGURE 15**

8. Set edger back on its wheels. Replace spark plug wire.

# 241-595A

IF YOU WRITE TO US ABOUT THIS ARTICLE  
OR IF YOU ORDER REPLACEMENT PARTS AL-  
WAYS MENTION THIS MODEL & SERIAL NO  
MODEL



# 241-595A

## PARTS LIST FOR EDGER MODEL NO. 241-595A

Ref. No.	PART No.	COLOR CODE	DESCRIPTION	NEW PART	Ref. No.	PART No.	COLOR CODE	DESCRIPTION	NEW PART
1	712-0107		Hex Cent. L.-Nut 1/4-20 THD.		33	13333 --- 497		Spindle Bracket Ass'y.	N
2	09950		Clutch Plate		34	736-0119		L.-Wash. 5/16" I.D.*	
3	710-0106		Hex Bolt 1/4-20 x 1.25" Lg.*		35	712-0267		Hex Nut 5/16-18 THD.*	
4	714-0115		Cotter Pin 1/8" Dia. x 1.0" Lg.*		36	756-0361		Pulley	N
5	720-0142		Grip		37	736-0112		Bell.-Wash. .535" I.D. x 1.50" O.D. x .052	
6	09948		Clutch Handle Ass'y.		38	710-0515		Hex Bolt 1/2-20 x 3.50" Lg.*	
7	747-0358		Clutch Rod	N	39	738-0213		Shoulder Bolt .498" Dia. x 1.450	
8	732-0171		Compression Spring .50" O.D. x 1.40" Lg.		40	734-0481		Wheel Ass'y. Comp. 6" Dia. x 1.50	
9	736-0264		Fl. Wash. .33" I.D. x .63" O.D. x .063		41	736-0169		L.-Wash. 3/8" I.D.*	
10	712-0158		Hex Cent. L.-Nut 5/16-18 THD.		42	712-0267		Hex Nut 5/16-18 THD.*	
11	-----		Engine		43	736-0119		L.-Wash. 5/16" I.D.*	
12	714-0105		Sq. Key 3/16 x 3/16 x 1.0" Lg.*		44	712-1798		Hex Nut 3/8-16 THD.*	
13	710-0938		Set Scr. 1/4-28 x 1/4" Lg.		45	13332		Front Wheel Support	N
14	710-0442		Hex Bolt 5/16-18 x 1.50" Lg.*		46	736-0105		Bell.-Wash. .400" I.D. x 88" O.D.	
15	711-0421		Engine Pulley		47	710-0623		Hex Wash. Hd. Self Tap Scr. 3/8-16 x .75" Lg.	
16	08253		Bearing Housing		48	738-0213		Shoulder Bolt .498" Dia. x 1.450	
17	736-0242		Bell.-Wash. .34" I.D. x 88" O.D. x .060		49	734-0480		Wheel Ass'y. Comp. 7" Dia. x 1.50	
18	710-0528		Hex Bolt 5/16-18 x 1.25" Lg.*		50	736-0105		Bell.-Wash. .400" I.D. x 88" O.D.	
19	09954		Blade		51	749-0452		Lower Handle	N
20	736-0112		Bell.-Wash. .535" I.D. x 1.50" O.D. x .052		52	710-0111		Carriage Bolt 1/4-20 x 1.25" Lg.*	
21	712-0239		Hex Cent. L.-Nut 1/2-20 THD.		53	749-0453		Upper Handle	N
22	736-0112		Bell.-Wash. .535" I.D. x 1.50" O.D. x .052		54	736-0329		L.Wash. 1/4" I.D.*	
23	748-0190		Spacer .513" I.D. x .703" O.D. x .69" Lg.		55	712-0287		Hex Nut 1/4-20 THD.*	
24	732-0330		Compression Spring .57" O.D. x 1.92" Lg.		56	736-0169		L.-Wash. 3/8" I.D.*	
25	736-0112		Bell.-Wash. .535" I.D. x 1.50" O.D. x .052		57	712-0798		Hex Nut 3/8-16 THD.*	
26	712-0114		Hex Castle Nut 1/2-20 THD.		58	13330 --- 497		Base Ass'y.	N
27	711-0716		Shoulder Spacer	N	59	714-0115		Cotter Pin 1/8" Dia. x 1.0" Lg.*	
28	726-0111		Push Cap		60	754-0142		3V-Belt 31.2" Lg.	
29	09952		Guide		61	712-0267		Hex Nut 5/16-18 THD.*	
30	748-0298		Spacer .354" I.D. x .635" O.D. x .510" Lg.		62	736-0119		L.-Wash. 5/16" I.D.*	
31	14341 -- 497		Blade Guard	N	63	718-0144		Grip	
32	741-0919		Ball Bearing		64	14427		Flap Bracket	N
					65	711-0720		Hinge Pin	N
					66	731-0532		Debris Deflector	N

\*For faster service obtain standard nuts, bolts and washers locally. If these items cannot be obtained locally, order by part number and size as shown or parts list.

The engine is not under warranty by the mower manufacturer. If repairs or service is needed on the engine, please contact your nearest authorized engine service outlet. Check the "Yellow Pages" of your telephone book under "Engines — Gasoline."



# PARTS INFORMATION

## POWER EQUIPMENT PARTS AND SERVICE

Parts and service for all MTD manufactured power equipment are available through the authorized service firms listed below. All orders should specify the model number of your unit, part numbers, description of parts and the quantity of each part required.

**NOTE:** If any parts are found to be missing or defective upon assembly of this unit, write to advise the factory so that immediate replacement can be made.

<b>ALABAMA</b>	<b>BIRMINGHAM</b>	
Auto Electric & Carburetor Co. . . . .	2625 4th Ave. S. . . . .	35233
<b>ARKANSAS</b>	<b>FORT SMITH</b>	
Mity Mite Motors, Inc. . . . .	4515 S. 16th St. . . . .	72901
	<b>NORTH LITTLE ROCK</b>	
Sutton's Lawn Mower Shop . . . . .	Rt. 4, Box 368 . . . . .	72117
<b>CALIFORNIA</b>	<b>PORTERVILLE</b>	
Billious . . . . .	75 North D Street . . . . .	93257
	<b>SAN FRANCISCO</b>	
J.W. Jewett Co. . . . .	981 Folsom St. . . . .	94107
<b>COLORADO</b>	<b>DENVER</b>	
Colorado Outdoor Power Equip. . . . .	527 West Evans . . . . .	80223
<b>FLORIDA</b>	<b>JACKSONVILLE</b>	
Radco Distributors . . . . .	4909 Victor St. . . . .	
	Box 5459 . . . . .	32207
	<b>OPA LOCKA</b>	
Small Eng. Dist. . . . .	2351 N.W. 147th St. . . . .	33054
<b>GEORGIA</b>	<b>EAST POINT</b>	
East Point Cycle & Key . . . . .	2834 Church St. . . . .	30344
<b>ILLINOIS</b>	<b>LYONS</b>	
Keen Edge Co. . . . .	8615 Ogden Ave. . . . .	60534
<b>INDIANA</b>	<b>ELKHART</b>	
Parts & Sales Inc. . . . .	2101 Industrial Pkwy. . . . .	46514
<b>IOWA</b>	<b>DUBUQUE</b>	
Power Lawn & Garden Equip. . . . .	2551 J.F. Kennedy . . . . .	52001
<b>LOUISIANA</b>	<b>NEW ORLEANS</b>	
Suhren Engine Co. . . . .	8330 Earhart Blvd. . . . .	70118
<b>MARYLAND</b>	<b>TAKOMA PARK</b>	
Center Supply Co. . . . .	6867 New Hampshire Ave. . . . .	20012
<b>MASSACHUSETTS</b>	<b>SPRINGFIELD</b>	
Morton B. Collins Co. . . . .	300 Birnie Ave. . . . .	01107
<b>MICHIGAN</b>	<b>LANSING</b>	
Lorenz Service Co. . . . .	2500 S. Pennsylvania . . . . .	48910
	<b>MOUNT CLEMENS</b>	
Power Equipment Dist. . . . .	36463 South Gratiot . . . . .	48043
<b>MINNESOTA</b>	<b>HOPKINS</b>	
Hance Distributing Inc. . . . .	420 Excelsior Ave. W. . . . .	55343
<b>MISSISSIPPI</b>	<b>BILOXI</b>	
Biloxi Sales & Service, Inc. . . . .	506 Caillavet St. . . . .	39533
<b>MISSOURI</b>	<b>KANSAS CITY</b>	
Automotive Equip. Service . . . . .	3117 Holmes St. . . . .	64109
	<b>ST. JOSEPH</b>	
Ross-Frazier Supply Co. . . . .	8th and Monterey . . . . .	64503
	<b>ST. LOUIS</b>	
Henzler, Inc. . . . .	2015 Lemay Ferry Road . . . . .	63125
<b>NEW JERSEY</b>	<b>BELLMAWR</b>	
Lawnmower Parts Inc. . . . .	717 Creek Rd. . . . .	08030
<b>NEW YORK</b>	<b>CARTHAGE</b>	
Gamble Dist., Inc. . . . .	West End Ave. . . . .	13619

## BRIGGS AND STRATTON, TECUMSEH AND PEERLESS PARTS AND SERVICE

Briggs & Stratton, Tecumseh and Peerless parts and service should be handled by your nearest authorized engine service firm. Check the yellow pages of your telephone directory under the listing **Engines—Gasoline**, Briggs & Stratton or Tecumseh Lauson.

<b>NORTH CAROLINA</b>	<b>GOLDSBORO</b>	
Smith Hardware Co. . . . .	515 N. George St. . . . .	27530
	<b>GREENSBORO</b>	
Dixie Sales Company . . . . .	335 N. Green . . . . .	27402
<b>OHIO</b>	<b>CARROLL</b>	
Stebe's Mid-State Mower Supply . . . . .	Box 366, 71 High St. . . . .	43112
	<b>CLEVELAND</b>	
Bleckrie, Inc. . . . .	7900 Lorain Ave. . . . .	44102
	<b>WADSWORTH</b>	
National Central . . . . .	687 Seville Rd. . . . .	44281
	<b>YOUNGSTOWN</b>	
Burton Supply Co. . . . .	1301 Logan Ave. . . . .	
	Box 929 . . . . .	44501
<b>OKLAHOMA</b>	<b>MUSKOGEE</b>	
Victory Motors, Inc. . . . .	605 S. Cherokee . . . . .	74401
	<b>OKLAHOMA CITY</b>	
Forest Sales Inc. . . . .	6415 N. Olie . . . . .	73116
<b>OREGON</b>	<b>PORTLAND</b>	
Kenton Supply Co. . . . .	8216 N. Denver Ave. . . . .	97217
<b>PENNSYLVANIA</b>	<b>CHESTER</b>	
Stull Equipment Corp. . . . .	742 W. Front St. . . . .	19013
	<b>HARRISBURG</b>	
EECO Inc. . . . .	4021 N. 6th St. . . . .	17110
	<b>PHILADELPHIA</b>	
Thompson Rubber Co. . . . .	5222-24 N. Fifth St. . . . .	19120
	<b>PITTSBURGH</b>	
Bluemont Co. . . . .	11125 Frankstown Rd. . . . .	15235
	<b>PUNXSUTAWNEY</b>	
Frank Roberts & Sons . . . . .	R.D. 2 . . . . .	157
<b>TENNESSEE</b>	<b>KNOXVILLE</b>	
Master Repair Service . . . . .	2000 Western Ave. . . . .	37921
	<b>MEMPHIS</b>	
American Sales & Service, Inc. . . . .	1922 Lynnbrook . . . . .	38116
<b>TEXAS</b>	<b>DALLAS</b>	
Marr Brothers, Inc. . . . .	423 E. Jefferson . . . . .	75203
	<b>FORT WORTH</b>	
Woodson Sales Corp. . . . .	1702 N. Sylvania . . . . .	76111
	<b>HOUSTON</b>	
Bullard Supply Co. . . . .	2409 Commerce St. . . . .	77003
	<b>SAN ANTONIO</b>	
Catto & Putty, Inc. . . . .	414 Live Oak . . . . .	78298
<b>UTAH</b>	<b>SALT LAKE CITY</b>	
A-1 Engine & Mower Co. . . . .	437 E. 9th St. . . . .	84111
<b>VERMONT</b>	<b>BURLINGTON</b>	
Vermont Hdwe. Co. Inc. . . . .	180 Flynn Ave. . . . .	05401
<b>VIRGINIA</b>	<b>RICHMOND</b>	
RBI Corp. . . . .	963 Myers St. . . . .	23260
<b>WASHINGTON</b>	<b>SEATTLE</b>	
Bailey's Inc. . . . .	1414 14th Ave. . . . .	98102
<b>WEST VIRGINIA</b>	<b>CHARLESTON</b>	
Young's, Inc. . . . .	233 Virginia St., E. . . . .	25301
<b>WISCONSIN</b>	<b>MARSHFIELD</b>	
Power Pac . . . . .	301 E. 29th St. . . . .	54449

## WARRANTY PARTS AND SERVICE POLICY

The purpose of warranty is to protect the customer from defects in workmanship and materials, defects which are NOT detected at the time of manufacture. It does not provide for the unlimited and unrestricted replacement of parts. Use and maintenance are the responsibility of the customer. The manufacturer cannot assume responsibility for conditions over which it has no control. Simply put, if it's the manufacturer's fault, it's the manufacturer's responsibility; if it's the customer's fault, it's the customer's responsibility.

### CLAIMS AGAINST THE MANUFACTURER'S WARRANTY INCLUDES:

1. **Replacement of Missing Parts** on new equipment.
2. **Replacement of Defective Parts** within the warranty period.
3. **Repair of Defects** within the warranty period.

All claims MUST be substantiated with the following information:

1. **Model Number** of unit involved.
2. **Date** unit was purchased or first put into service.
3. **Date of failure.**
4. **Nature of failure.**

**MTD PRODUCTS • 5965 GRAFTON ROAD • P.O. BOX 36900 • CLEVELAND, OHIO 44136**

## Free Manuals Download Website

<http://myh66.com>

<http://usermanuals.us>

<http://www.somanuals.com>

<http://www.4manuals.cc>

<http://www.manual-lib.com>

<http://www.404manual.com>

<http://www.luxmanual.com>

<http://aubethermostatmanual.com>

Golf course search by state

<http://golfingnear.com>

Email search by domain

<http://emailbydomain.com>

Auto manuals search

<http://auto.somanuals.com>

TV manuals search

<http://tv.somanuals.com>