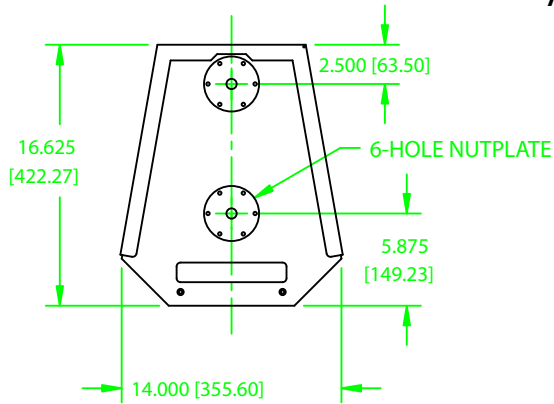
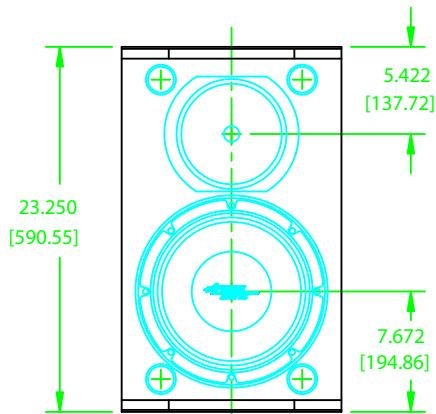
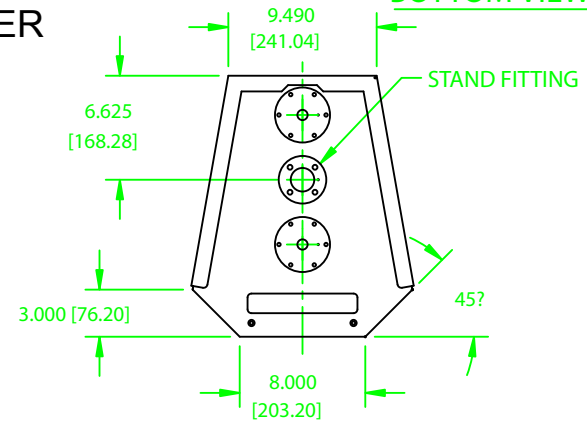


# AE-5NC LOUDSPEAKER

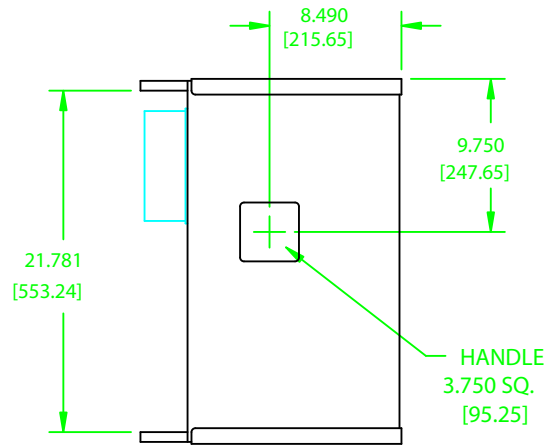
**TOP VIEW**



**BOTTOM VIEW**

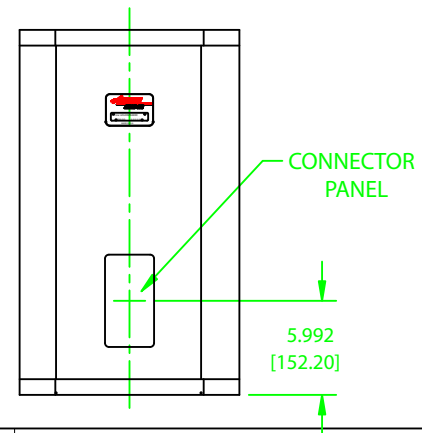


**FRONT VIEW  
W/GRILL REMOVED**



**SIDE VIEW**

**REAR VIEW**



NOTE: DIMENSIONS ARE IN INCHES & [MILLIMETERS]

INFORMATION CONTAINED IN THIS DOCUMENT IS THE SOLE PROPERTY OF APOGEE SOUND INC. REPRODUCTION OF ALL OR ANY PART OF THIS DOCUMENT WITHOUT WRITTEN PERMISSION FROM APOGEE SOUND INC. IS PROHIBITED.

NOT TO SCALE			
DRAWN	BILL 8/26/93		
REVISED		SIZE	A
PRODUCT NUMBER		SCALE	REVISION
100-5200		1/10	A
		DRAWING NO.	Z05NC

## Free Manuals Download Website

<http://myh66.com>

<http://usermanuals.us>

<http://www.somanuals.com>

<http://www.4manuals.cc>

<http://www.manual-lib.com>

<http://www.404manual.com>

<http://www.luxmanual.com>

<http://aubethermostatmanual.com>

Golf course search by state

<http://golfingnear.com>

Email search by domain

<http://emailbydomain.com>

Auto manuals search

<http://auto.somanuals.com>

TV manuals search

<http://tv.somanuals.com>