

UniFlame®

OWNER'S MANUAL



Portable Outdoor Fireplace

Model No.
252726



WARNING

FOR YOUR SAFETY:

For Outdoor Use Only
(outside any enclosure)

***Solamente Para Uso En
Exteriores***

Do not return to place of purchase:
Contact 1-800-762-1142 for assistance

Table of contents

Safety First: Important Safety Instructions	2
Assembly Instructions	
Step 1	3
Step 2	3
Step 3	3
Step 4	4
Step 5	4
Step 6	5
Step 7	5
Step 8	6
Step 9	6
Step 10	6
Step 11	7
Operation	8
Maintenance and Storage	9
Warranty	10
Appendix: Detailed Parts list	11



WARNING

FOR YOUR SAFETY:

*This product is for outdoor use only.
Do not use indoors.*

Save these instructions for future reference. If you are assembling this unit for someone else, give this manual to him or her to save for future reference.

**Contact 1-800-762-1142 for assistance.
Do not return to place of purchase.**



Important Safety Instructions:

Read and understand all warnings and precautions prior to operating your fireplace.

When in use, keep outdoor fireplace away from buildings, garages, flammable materials, flammable fluids, and automobiles. The fireplace is not to be used by children. Be sure spark guards are in place while in use. Do not use in windy conditions. Exercise extreme caution when using on a wooden deck and avoid wearing flammable clothing when using the fireplace. Extinguish with lid only after the wood has burned down sufficiently, and remember ashes can remain hot for a long period of time. Do not overload or use to burn leaves, trash, or paper. Use caution and wear heat proof mitts when handling or moving the fireplace. When in use, surfaces will be hot. All fires must be completely extinguished before putting fireplace away. Do not store unit while hot, or with ashes inside. See below for further safety information and usage instructions.

General instructions for safe use of the outdoor fireplace:

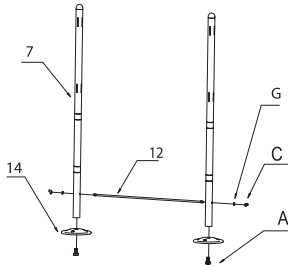
- Always use in accordance with all applicable local and national fire codes. Use on noncombustible surfaces such as concrete, brick, or rock. Use extreme caution when using on a wooden deck. Do not leave unit unattended at any time. Keep all screws and nuts tight, and inspect on a regular basis to be sure fireplace is in safe working condition.
- Keep away from flammable material and fluids such as gasoline, alcohol, diesel fuels, kerosene, charcoal lighter fluid, and / or automobiles.
- Do not use flammable fluids such as gasoline, alcohol, diesel fuel, kerosene, or charcoal lighter fluid to light or relight fires.
- Exercise the same precautions you would with any open fire.
- Do not allow children to use the fireplace. Keep children and pets away from the fireplace while it is in use.
- Do not wear flammable or loose clothing when using the fireplace.
- Do not burn trash, leaves, paper, cardboard, or plywood in the fireplace. Avoid using softwood such as pine or cedar, because they are likely to throw sparks. The use of seasoned hardwood is recommended.
- Before starting the fire, make sure that the lid will still close to extinguish the fire, in case of emergency. Do not overload the fireplace to the point that the lid will not close properly.
- Always extinguish the fire with the fireplace lid after the wood has burned down sufficiently. Do not use water to extinguish the fire, as this will fracture the fireplace's finish. The fireplace and ashes inside will remain hot for some time. Always leave the lid in place until the fireplace is cold.
- Do not store the fireplace until the fire is completely out, and all surfaces are cold. Do not store the fireplace with the ashes or combustible materials inside.
- Use heat-resistant gloves or hotpads when handling parts of the fireplace. Use long, sturdy fireplace tools when adding or moving logs.
- Do not move the fireplace while in use. If it becomes necessary to move the fireplace, remove the screened section and replace the fireplace lid to cover the fire.

Note: After repeated use, a slight discoloration of the metal may occur.

Assembly Instructions

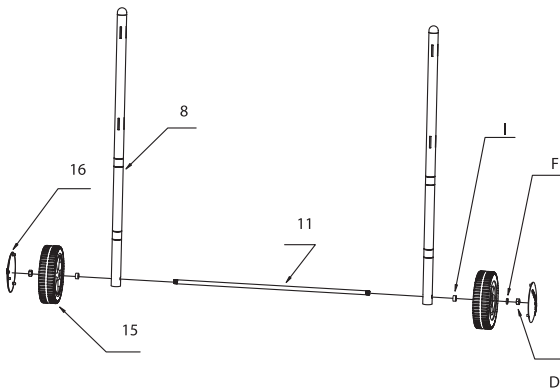
For Best Results:

Remove all contents from packaging and make sure all parts are present before attempting assembly. While assembling, tighten all bolt connections by hand first. Then, when the fireplace is fully assembled, go back and tighten with wrenches.



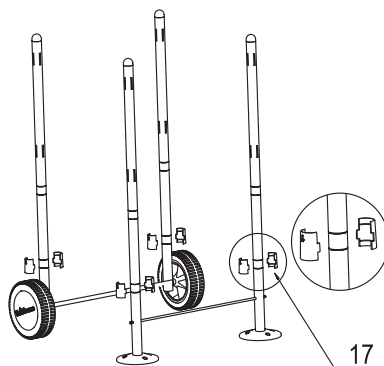
Step 1

Attach two adjustable leg cups (14) to two front legs (7) using two adjustable leg-cup bolts (A), and attach legs together using front axle (12), wing nuts (C) and small washers (G), as shown. Make sure the rim of the cup faces downward when attached, and bottom of cup touches end of leg.



Step 2

Attach two back legs (8) together using wheel axle (11), and attach wheels (15) to ends of axle using wheel standoffs (I), wheel washers (F), and wheel nuts (D), as shown. Install wheel decals (16) on wheels (15).



Step 3

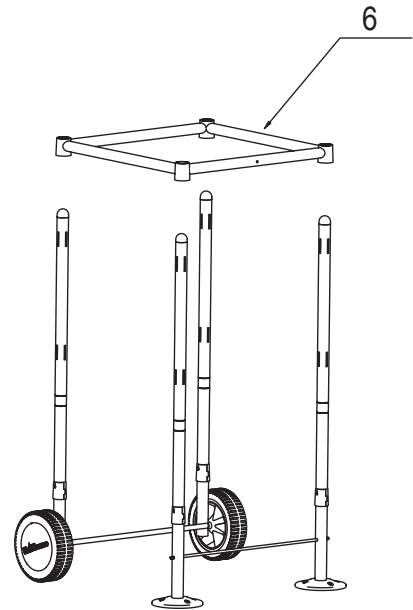
Attach first set of clips (17), to each of the four legs at the lowest horizontal marking, as shown. Assume that the clips are attached with the directional arrow facing upwards.

Contact 1-800-762-1142 for assistance.
Do not return to place of purchase.

UniFlame®

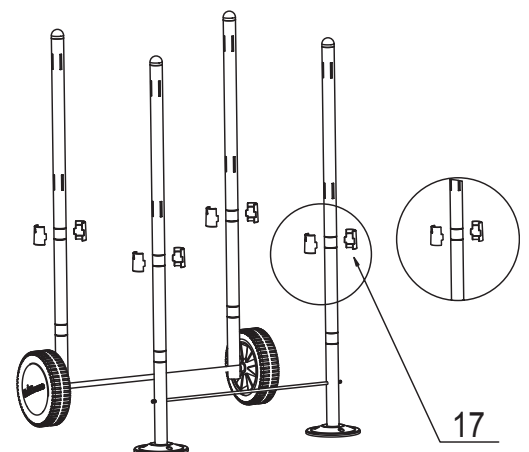
Step 4

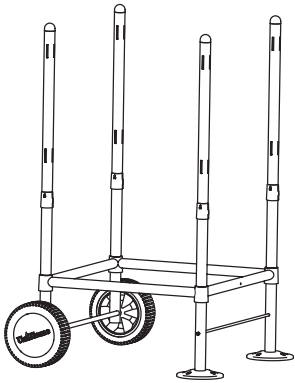
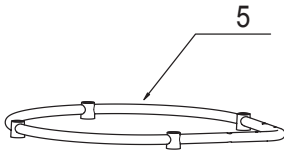
Slide the legs support (6) onto four legs, as shown. The support should rest on previously installed clips. NOTE: Make sure broad opening of cone faces downward when assembling the leg-support bracket. Crossbar position may vary, but will not affect product's performance.



Step 5

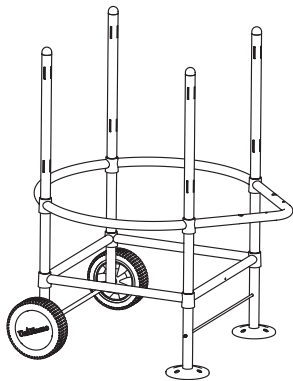
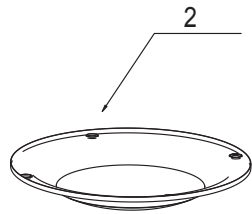
Attach second set of clips (17), to each of the four legs at higher horizontal markings, as shown. Assure that the clips are attached with the directional arrow facing upwards.





Step 6

Slide the bottom bowl support (5) onto four legs, as shown. The support should rest on previously installed clips. Assure that the angular side of the support is positioned forward (away from the wheels), as shown. NOTE: Make sure broad opening of cone faces downward when assembling the bottom bowl-support bracket. Crossbar position may vary, but will not affect product's performance. (5).



Step 7

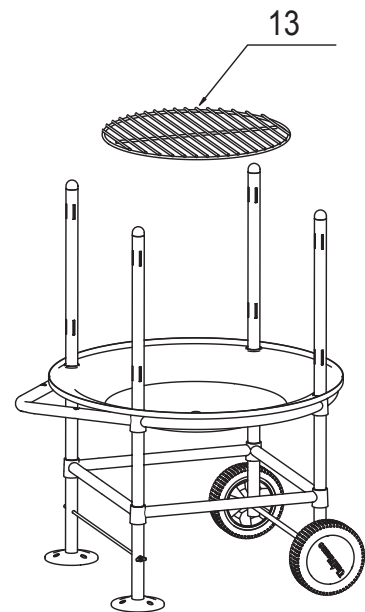
Slide bottom bowl (2) onto four legs, as shown, through holes in edge of bowl. Bowl will rest in bottom bowl support.

Contact 1-800-762-1142 for assistance.
Do not return to place of purchase.

UniFlame®

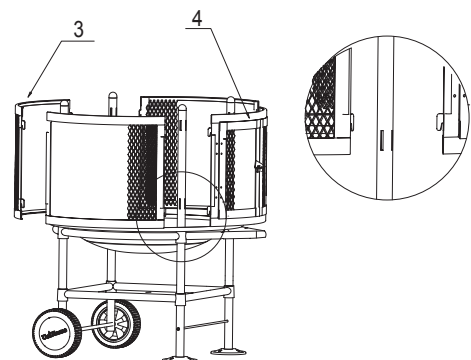
Step 8

Insert charcoal grid (13) into bottom bowl, as shown. Grid will rest on internal lip of bowl. Note: before using the fireplace, fill the bottom bowl with play sand up to a level just below the charcoal grid lip.



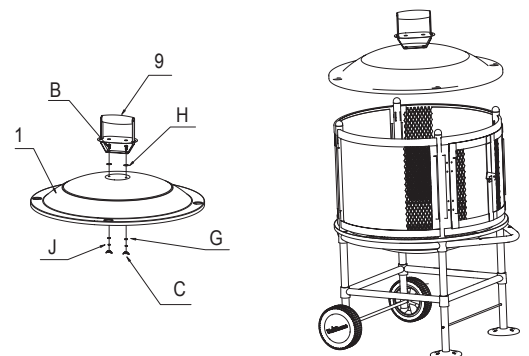
Step 9

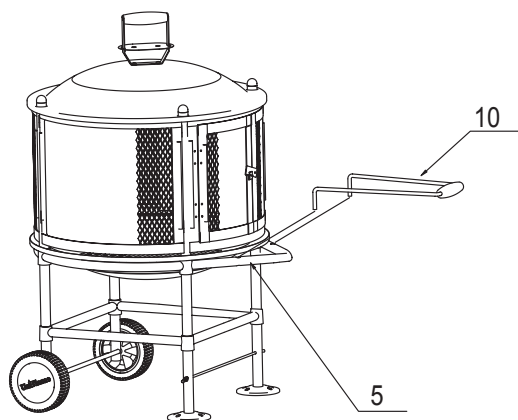
Install three spark guards (3) on legs, closing off back, and two sides of fireplace. Install by sliding tabs in spark guards into slots in legs, as shown. Next install spark guard door (4) closing off front of fireplace. Install by sliding tabs in door into slots in legs, as shown.



Step 10

Attach pre-assembled lid handle (9) to top lid (1), using lid handle bolts (B), lid handle heat resistant washers (H), small washers (G), lid handle lock washers (J), and wing nuts (C), as shown. Place top lid with handle attached onto fireplace by putting tops of legs either into holes or indentations in edge of top lid.

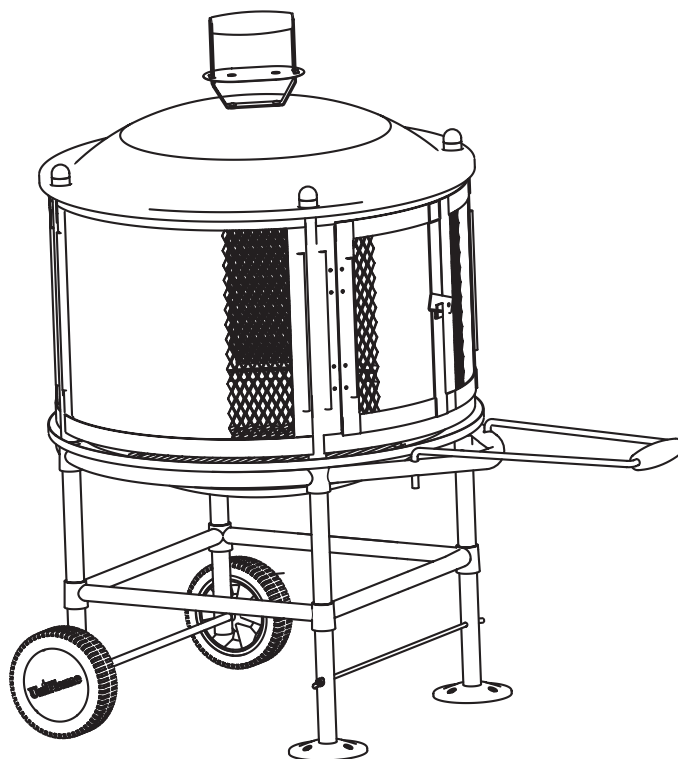




Step 11

Insert front handle (10) into holes in angular section of bottom bowl support (5), as shown.

Fully Assembled



**Contact 1-800-762-1142 for assistance.
Do not return to place of purchase.**

UniFlame®

Operating your outdoor fireplace

Before lighting:

- Always use in accordance with all applicable local and national fire codes. Use on noncombustible surfaces such as concrete, brick, or rock. Use extreme caution when using on a wooden deck. Do not leave unit unattended at any time. Keep all screws and nuts tight, and inspect on a regular basis to be sure fireplace is in safe working condition.
- Keep away from flammable material and fluids such as gasoline, alcohol, diesel fuels, kerosene, charcoal lighter fluid, and / or automobiles.
- Do not overload the fireplace to the point that the lid will not close properly.
- Do not burn trash, leaves, paper, cardboard, or plywood in the fireplace. Avoid using softwood such as pine or cedar, because they are likely to throw sparks. The use of seasoned hardwood is recommended.
- Do not use flammable fluids such as gasoline, alcohol, diesel fuel, kerosene, or charcoal lighter fluid to light or relight fires.

Lighting Your Fireplace:

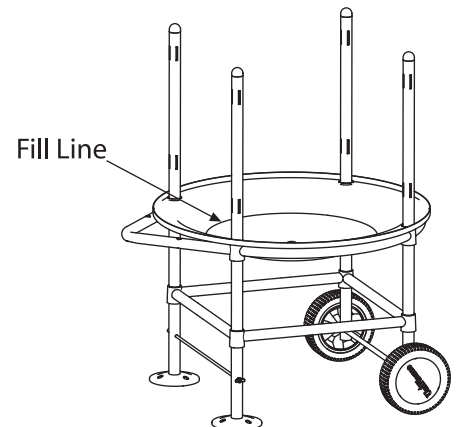
- Remove charcoal grid and fill bottom bowl with play sand to a point just below interior lip.
- Replace charcoal grid.
- Arrange firewood in center of charcoal grid.

While in Use

- Exercise the same precautions you would with any open fire.
- Do not allow children to use the fireplace. Keep children and pets away from the fireplace while it is in use.
- Do not wear flammable or loose clothing when using the fireplace.
- Do not move the fireplace while in use. If it becomes necessary to move the fireplace, remove the screened section and replace the fireplace lid to cover the fire.
- Use heat-resistant gloves or hotpads when handling parts of the fireplace. Use long, sturdy fireplace tools when adding or moving logs.

TIP:

Before using the outdoor fireplace, fill the bottom pan with play sand to just below interior lip. See step 8.



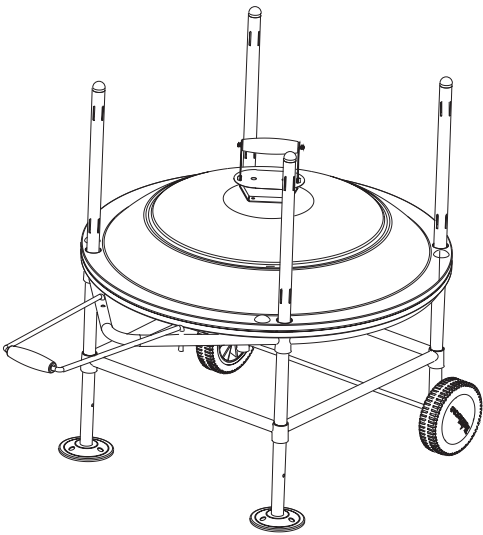
TIP:

For best results, light using Fatwood™ natural firestarter.

To extinguish a fire in your fireplace:

Let fire burn down to a low level. Using heat-resistant gloves or hotpads, remove lid and spark guards. Then slide lid back onto legs through holes in outer lip. Allow lid to sit on bottom bowl and smother fire. Always extinguish fire with fireplace lid after the wood has burned down sufficiently. Do not use water to extinguish fire, as this will fracture the fireplace's finish. The fireplace and ashes inside will remain hot for some time. Always leave the lid in place until the fireplace is cold.

Do not store the fireplace until the fire is completely out, and all surfaces are cold. Do not store the fireplace with the ashes or combustible materials inside.



Maintenance and Storage

- Do not store the fireplace until the fire is completely out, and all surfaces are cold. Do not store the fireplace with the ashes or combustible materials inside.
- Store fireplace in a dry area.
- For most efficient storage, remove sparkguards and place inside bottom bowl. Allow top to slide down legs and rest on bottom bowl.
- When cleaning your fireplace, DO NOT use abrasive cleaners, for it will damage the parts of this product. Clean all grids and pans with mild detergent. Rinse clean with water. Remove ash before re-using fireplace.

**Contact 1-800-762-1142 for assistance.
Do not return to place of purchase.**



1 YEAR LIMITED WARRANTY

UniFlame Corporation warrants to the original retail purchaser of this outdoor fireplace that if it is assembled and operated in accordance with the printed instructions accompanying it then for a period of one (1) year from the date of purchase. All parts shall be free from defects in material and workmanship. UniFlame may require reasonable proof of your date of purchase. Therefore, you should retain your sales slip or invoice.

This Limited Warranty shall be limited to the repair or replacement of parts, which prove defective under normal use and service and which on examination, shall indicate, to UniFlame's satisfaction, they are defective. Before returning any parts, contact UniFlame's Customer Service Department. If UniFlame confirms the defect and approves the claim, UniFlame will elect to replace such parts without charge. If you are required to return defective parts, transportation charges must be prepaid. UniFlame will return parts to the purchaser, freight or postage prepaid.

This Limited Warranty does not cover any failures or operating difficulties due to accident, abuse, misuse, alteration, misapplication, improper installation or improper maintenance or service, or failure to perform normal and routine maintenance, as set out in this owners manual. There are no other express warrants except as set forth herein and any applicable implied warranties of merchantability and fitness are limited in duration to the period of coverage of this express written Limited Warranty. Some states do not allow limitation on how long an implied warranty lasts, so this limitation may not apply to you.

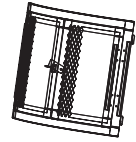
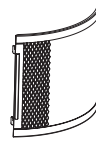
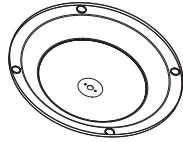
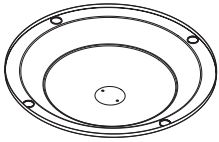
UniFlame is not liable for any special, indirect or consequential damages. Some states do not allow the exclusion or limitation of incidental or consequential damages, so this limitation or exclusion may not apply to you.

UniFlame does not authorize any person or company to assume for it any other obligation or liability in connection with the sale, installation, use, removal, return, or replacement of its equipment, and no such representations are binding on UniFlame.

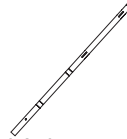
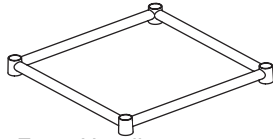
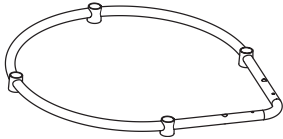
UniFlame Corporation
1817 N. Kenosha Road
Zion, Illinois 60099
(800) 762-1142
24 Hour Fax: (847) 731-6032
CustomerService@UniFlame.com

Detailed Parts List

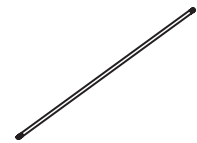
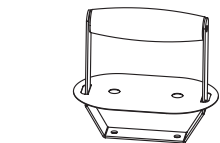
1. Top Lid 1pc
Reorder number 55-12-935
2. Bottom Bowl 1pc
Reorder number 55-12-936
3. Spark Guards 3 pcs
Reorder number 55-12-937
4. Spark Guard Door 1 pc
Reorder number 55-12-938



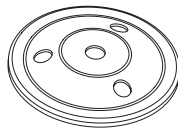
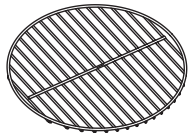
5. Bottom Bowl Support . . . 1pc
Reorder number 55-12-939
6. Legs Support 1pc
Reorder number 55-12-940
7. Front Legs 2 pcs
Reorder number 55-12-941
8. Back Legs 2 pcs
Reorder number 55-12-942



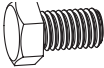




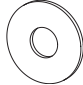
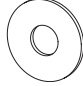



9. Lid Handle
(pre assembled) 1 pc
Reorder number 55-12-943
10. Front Handle 1pc
Reorder number 55-12-944
11. Wheel Axle 1pc
Reorder number 55-12-945
12. Front Axle 1 pc
Reorder number 55-12-946



13. Charcoal Grid 1pc
Reorder number 55-12-947
14. Adjustable Leg Cups 2 pcs
Reorder number 55-12-948
15. Wheels 2 pcs
Reorder number 55-12-949
16. Wheel Decals 2 pcs
Reorder number 55-12-950



Hardware

- | | | | |
|---|--|---|--|
| <p>A </p> <p>B </p> <p>C </p> <p>D </p> <p>E </p> | <p>Adjustable Leg Cup Bolts 2 pcs.
Reorder number 55-12-952</p> <p>Lid Handle Bolts 2 pcs.
Reorder number 55-12-953</p> <p>Wing Nuts 4 pcs.
Reorder number 55-12-954</p> <p>Wheel Nuts 2 pcs.
Reorder number 55-12-955</p> <p>Wrenches 2 pcs.
Reorder number 55-12-956</p> | <p>F </p> <p>G </p> <p>H </p> <p>I </p> <p>J </p> | <p>Wheel Washers 2 pcs.
Reorder number 55-12-957</p> <p>Small Washers 4 pcs.
Reorder number 55-12-958</p> <p>Lid Handle Heat Resistant Washers 2 pcs.
Reorder number 55-12-959</p> <p>Wheel Standoffs 2 pcs.
Reorder number 55-12-960</p> <p>Lid Handle Lock Washers 2 pcs.
Reorder number 55-12-961</p> |
|---|--|---|--|

**Contact 1-800-762-1142 for assistance.
Do not return to place of purchase.**

UniFlame[®]



**Contact 1-800-762-1142 for assistance.
Do not return to place of purchase.**

**Contact 1-800-762-1142 for assistance.
Do not return to place of purchase.**

UniFlame[®]



UniFlame Corporation
A wholly owned subsidiary of Blue Rhino Corporation (NASDAQ-RINO)
1817 N. Kenosha Road, Zion, IL 60099 USA
1.800.762.1142, www.bluerhino.com

© 2002 CPD Associates, All Rights Reserved
Made in China

PN-252726-OM

Free Manuals Download Website

<http://myh66.com>

<http://usermanuals.us>

<http://www.somanuals.com>

<http://www.4manuals.cc>

<http://www.manual-lib.com>

<http://www.404manual.com>

<http://www.luxmanual.com>

<http://aubethermostatmanual.com>

Golf course search by state

<http://golfingnear.com>

Email search by domain

<http://emailbydomain.com>

Auto manuals search

<http://auto.somanuals.com>

TV manuals search

<http://tv.somanuals.com>