



Outdoor LP Gas Barbecue Grill

Model No. NSG3902D



WARNING
FOR YOUR SAFETY:
 For Outdoor Use Only
 (outside any enclosure)

WARNING
FOR YOUR SAFETY:

- 1. Improper installation, adjustment, alteration, service or maintenance can cause injury or property damage.**
- 2. Read the installation, operation, and maintenance instructions thoroughly before installing or servicing this equipment.**
- 3. Failure to follow these instructions could result in fire or explosion, which could cause property damage, personal injury, or death.**

California Proposition 65:
Chemicals known to the State of California to cause cancer, birth defects, or other reproductive harm are created by the combustion of propane.

Save these instructions for future reference. If you are assembling this unit for someone else, give this manual to him or her to read and save for future reference.

Table of Contents

Important Safeguards	2
Assembly Instructions	3
Installing LP Gas Tank	5
Insert LP Gas Tank	5
Secure LP Gas Tank	5
Connect LP Gas Tank	5
Operating Instructions	6
Checking for Leaks	6
Operating Main Burners	6
Operating Side Burner	6
Cleaning and Care	7
Product Registration	7
Limited Warranty	7
Troubleshooting	8
Exploded View & Hardware	Appendix A

The use and installation of this product must conform to local codes. In absence of local codes, use the *National Fuel Gas Code, ANSI Z223.1/NFPA 54, CAN/CGA-B149.1, Natural Gas and Propane Installation Code.*

Manufactured in China for:
 Blue Rhino Global Sourcing, LLC
 104 Cambridge Plaza Drive, Winston-Salem, NC 27104 USA
 1.800.762.1142, www.bluerhino.com

© 2005 Blue Rhino Global Sourcing, LLC. All Rights Reserved
 UniFlame® is a Registered Trademark of Blue Rhino Global Sourcing, LLC. All Rights Reserved
 Download from www.Somanuals.com. All Manuals Search And Download.





WARNING
FOR YOUR SAFETY

If you smell gas -

1. Shut off gas to appliance.
2. Extinguish any open flame.
3. Open lid.
4. If odor continues, immediately call your gas supplier or your fire department.

1. Do not store spare LP cylinder within 10 feet (3.05 m) of this appliance.
2. Do not store or use gasoline or other liquids with flammable vapors within 25 feet (7.62 m) of this or any other appliance.
3. An LP cylinder not connected for use shall not be stored in the vicinity of this or any other appliance.

Safety First
DANGERS and Cautions

1. This grill is for outdoor use only, and shall not be used in a building, garage, or any other enclosed area.
2. This grill is NOT for commercial use.
3. This grill is for use with liquid propane (LP) gas only. The conversion to or attempted use of natural gas in this LP gas grill is dangerous and will void your warranty.
4. LP gas Characteristics:
 - a. LP gas is flammable and hazardous if handled improperly. Become aware of the characteristics before using any LP gas product.
 - b. LP gas is explosive under pressure, heavier than air, and settles and pools in low areas.
 - c. LP gas in its natural state has no odor. For your safety, an odorant is added that smells like rotten cabbage.
 - d. Contact with LP gas can cause freeze burns to skin.
5. LP gas tank needed to operate. Only tanks marked "propane" may be used.
6. The LP gas supply tank must be constructed and marked in accordance with the *Specifications for LP gas Cylinders* of the U.S. Department of Transportation (DOT) or the National Standard of Canada, *CAN/CSA-B339, Cylinders, Spheres and Tubes for the Transportation of Dangerous Goods; and Commission*.
7. LP gas tank must be arranged for vapor withdrawal.
8. The LP gas tank must have a listed overfilling prevention device (OPD).
9. Only use 20-pound cylinders equipped with a cylinder connection device compatible with the connection for outdoor cooking appliances.
10. The LP gas tank must have a tank collar to protect the tank valve.
11. Never use an LP gas tank with a damaged body, valve, collar, or footing.
12. Dented or rusted LP gas tanks may be hazardous and should be checked by your LP gas supplier prior to use.
13. The LP gas tank should not be dropped or handled roughly.
14. Tanks must be stored outdoors out of the reach of children and must not be stored in a building, garage, or any other enclosed area. Your tank must never be stored where temperatures can reach over 125°F.
15. Never keep a filled LP gas tank in a hot car or car trunk. Heat will cause the gas pressure to increase, which may open the relief valve and allow gas to escape.
16. Never attempt to attach this grill to the self-contained LP gas system of a camper trailer, motor home, or house.
17. The use of alcohol, or prescription or non-prescription drugs may impair the consumer's ability to properly assemble or safely operate the appliance.
18. Never use charcoal, lighter fluid, lava rocks, gasoline, kerosene, or alcohol with this product.
19. Your grill has been checked at all factory connections for leaks. Recheck all connections, as movement in shipping can loosen connections.
20. Check for leaks even if your unit was assembled for you by someone else.
21. Do not operate if gas leak is present. Gas leaks may cause a fire or explosion.
22. You must follow all leak-checking procedures before operating. To prevent fire or explosion hazard when testing for a leak:
 - a. Always perform leak test before lighting the grill and each time the tank is connected for use.
 - b. No smoking. Do not use or permit sources of ignition in the area while conducting a leak test.
- c. Conduct the leak test outdoors in a well-ventilated area.
- d. Do not use matches, lighters, or a flame to check for leaks.
- e. Do not use grill until any and all leaks are corrected. If you are unable to stop a leak, disconnect the LP gas supply. Call a gas appliance serviceman or your local LP gas supplier.
23. Do not store or use gasoline or other flammable liquids or vapors within 25 feet (7.62 m) of this appliance.
24. Do not use in an explosive atmosphere. Keep grill area clear and free from combustible materials, gasoline and other flammable vapors and liquids.
25. Keep all combustible items and surfaces at least 21 inches (53 cm) away from the grill at all times. DO NOT use this grill or any gas product under any overhead or near any unprotected combustible constructions.
26. It is essential to keep the grill's valve compartment, burners, and circulating air passages clean. Inspect grill before each use.
27. Do not alter grill in any manner.
28. Do not use the grill unless it is COMPLETELY assembled and all parts are securely fastened and tightened.
29. This grill should be thoroughly cleaned and inspected on a regular basis. Clean and inspect the hose before each use of the appliance. If there is evidence of abrasion, wear, cuts, or leaks, the hose must be replaced prior to the appliance being put into operation.
30. Use only the regulator and hose assembly provided. The replacement regulator and hose assembly shall be that specified by the manufacturer.
31. Use only Blue Rhino Global Sourcing, LLC. factory authorized parts. The use of any part that is not factory authorized can be dangerous. This will also void your warranty. Contact 1.800.762.1142.
32. Do not use this appliance without reading "Operating Instructions" in this manual.
33. Do not touch metal parts of grill until it has completely cooled (about 45 min.) to avoid burns, unless you are wearing protective gear (pot holders, gloves, BBQ mittens, etc.).
34. When cooking, fire extinguishing materials shall be readily accessible. In the event of an oil grease fire, do not attempt to extinguish with water. Use type BC dry chemical fire extinguisher or smother with dirt, sand or baking soda.
35. Do not install or use in or on boats or recreational vehicles.
36. Do not use grill in high winds.
37. Never lean over the grill when lighting.
38. Do not leave a lit grill unattended, especially keep children and pets away from grill at all times.
39. Do not attempt to move grill when in use. Allow the grill to cool before moving or storing.
40. Storage of grill indoors is permissible only if the tank is disconnected, removed from the grill and properly stored outdoors.
41. Always open grill lid carefully and slowly as heat and steam trapped within grill can severely burn you.
42. Do not attempt to disconnect the gas regulator from the tank or any gas fitting while the grill is in use.
43. Always place your grill on a hard non-combustible, level surface. An asphalt or blacktop surface may not be acceptable for this purpose.
44. Do not use on wooden decks.
45. Move gas hoses as far away as possible from hot surfaces and dripping hot grease.
46. Keep all electrical cords away from a hot grill.
47. Do not use grill for indoor cooking or heating. TOXIC fumes can accumulate and cause asphyxiation.
48. After a period of storage and/or nonuse, check for leaks, burner obstructions and inspect for any abrasion, wear, cuts to the hose.
49. Failure to open lid while igniting the grill's burners, or not waiting 5 minutes to allow the gas to clear if the grill does not light, may result in an explosive flame-up.
50. If grill is not in use, the gas must be turned off at the supply tank.
51. Never operate grill without heat plates installed.
52. Always use a meat thermometer to ensure food is cooked to a safe temperature.
53. Do not store a spare LP gas tank under or near this appliance.
54. Never fill the tank beyond 80 percent full.
55. Deaths, serious injury or damage to property may occur if the above is not followed exactly.

Assembly Instructions

DO NOT RETURN PRODUCT TO STORE.

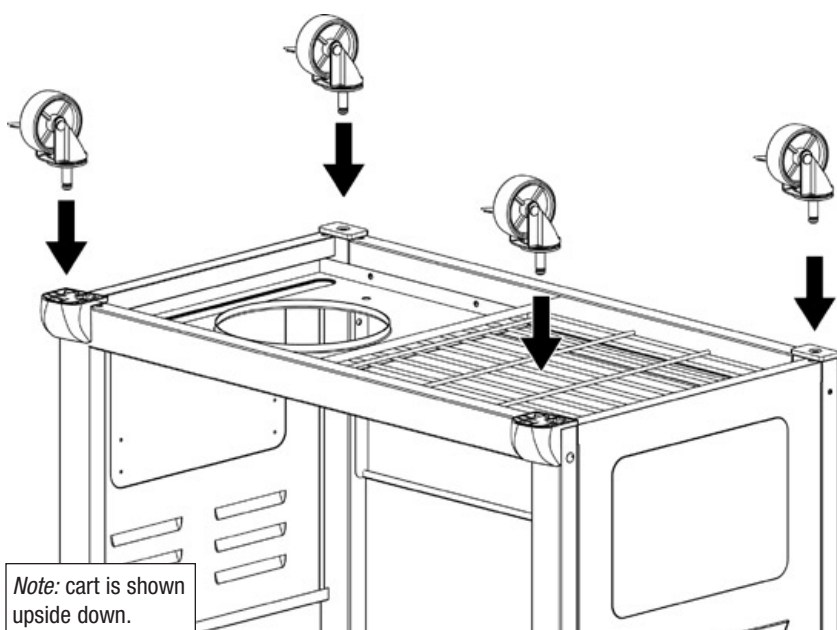
For assistance call **1.800.762.1142** toll free. Please have your owner's manual and serial number available for reference.

For Easiest Assembly:

- To avoid losing any small components or hardware, assemble your product on a hard level surface that does not have cracks or openings.
- Clear an area large enough to layout all components and hardware.
- When applicable, tighten all hardware connections by hand first. Once the step is completed, go back and fully tighten all hardware.
- Follow all steps in order to properly assemble your product.

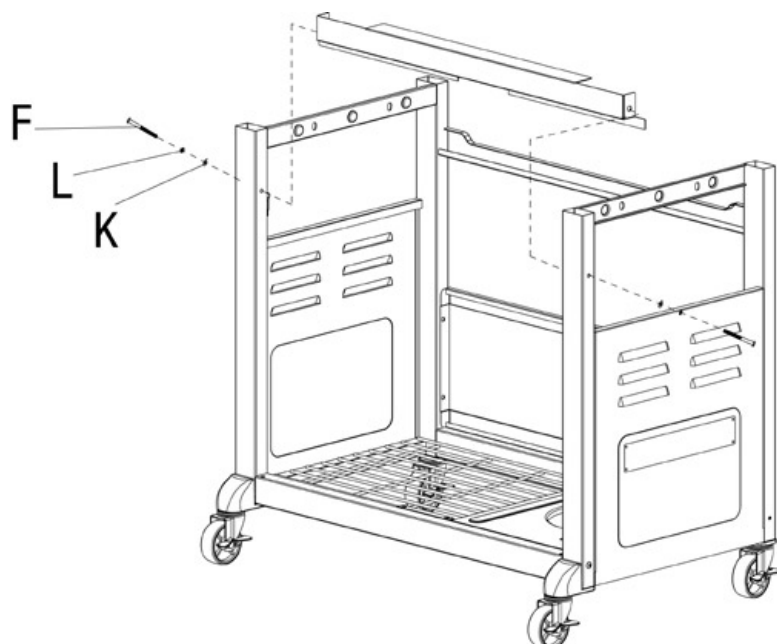
Step 1 Attach wheels to cart

Insert 4 wheel assemblies into cart legs.



Step 2 Attach cross bar

- Insert tabs on cross bar into slots on inside of cart frame.
- Attach cross bar to cart by using 2 sets of extra large screws (F), lock washers (L), and extra large washers (K).

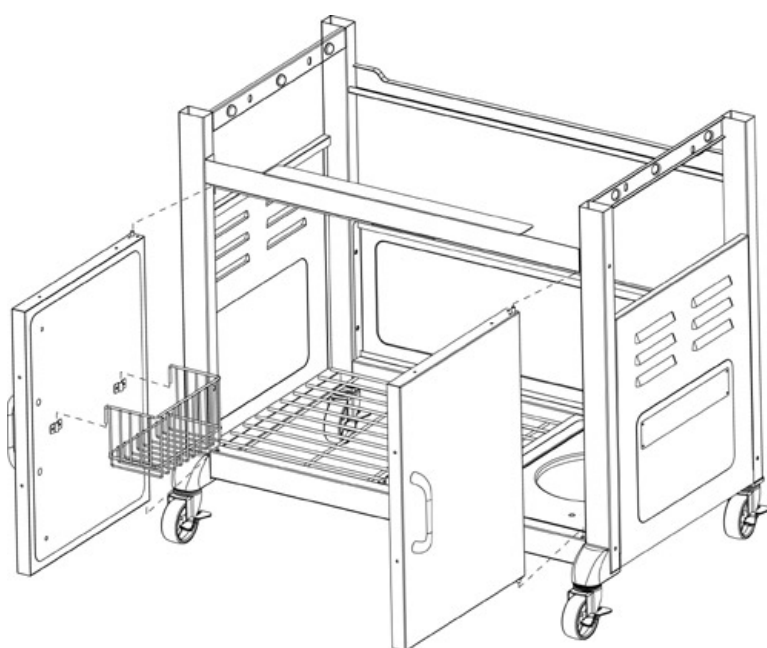


Step 3 Attach doors and basket

- Install right and left doors by placing bottom pin into hole in cart, depress top spring pin and snap top pin into hole in cross bar.

Note: Spring pins are located on top of doors.

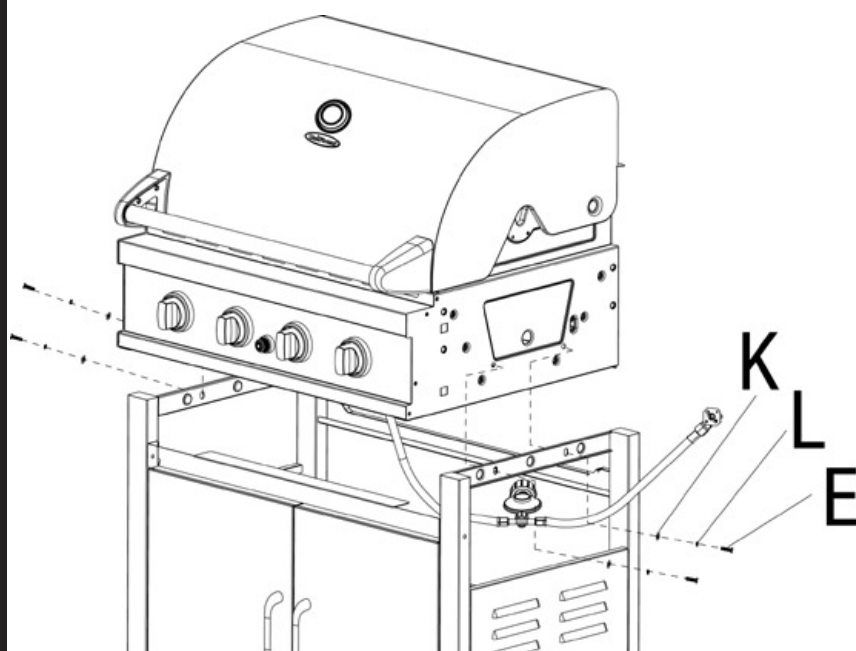
- Hang basket on left door.



Step 4 Secure grill body to cart frame

Note: 2 people required to put grill body onto cart.

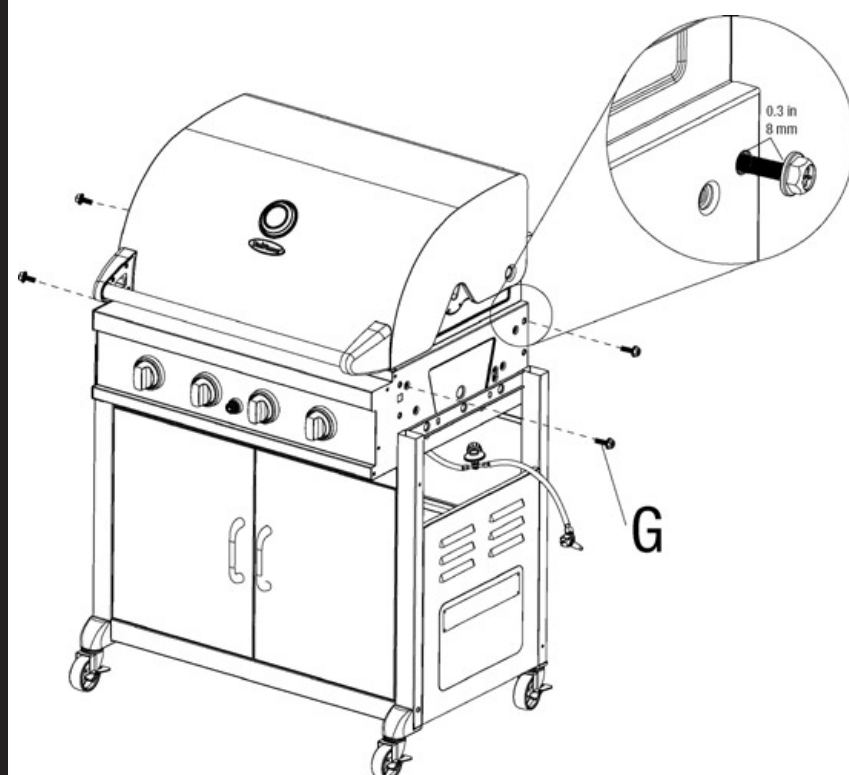
- Place body assembly onto cart.
- Feed hose through right side of cart.
- Secure grill body to cart using 4 sets of large screws (E), lock washers (L), and extra large washers (K).



Step 5 Insert bolts

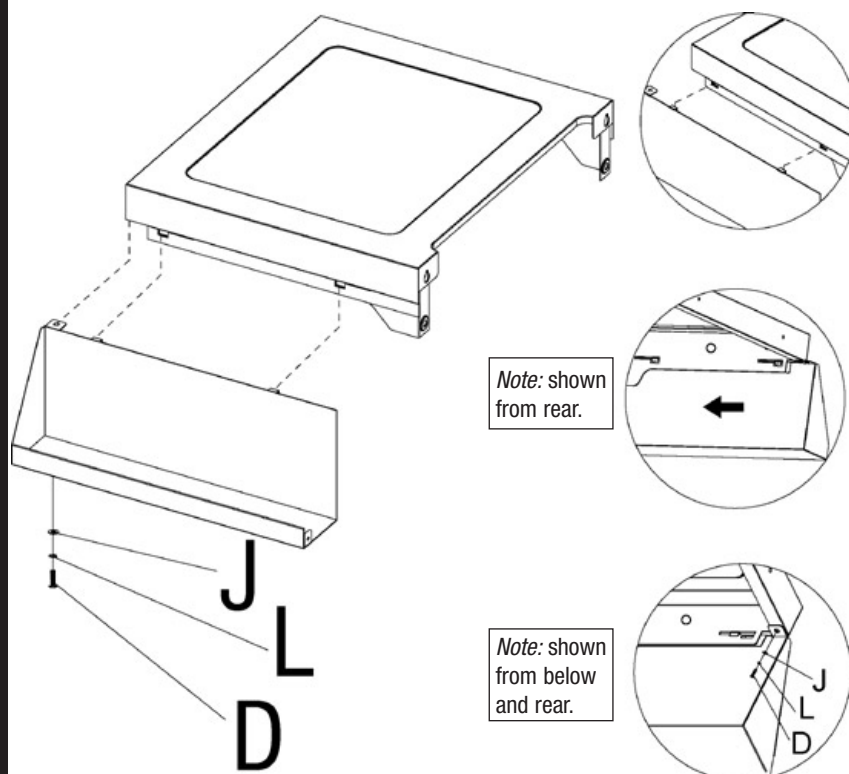
Insert 4 bolts (G) into side of grill body.

Note: Leave 0.3" (8 mm) of bolt threads exposed. Do not fully tighten until step 9.



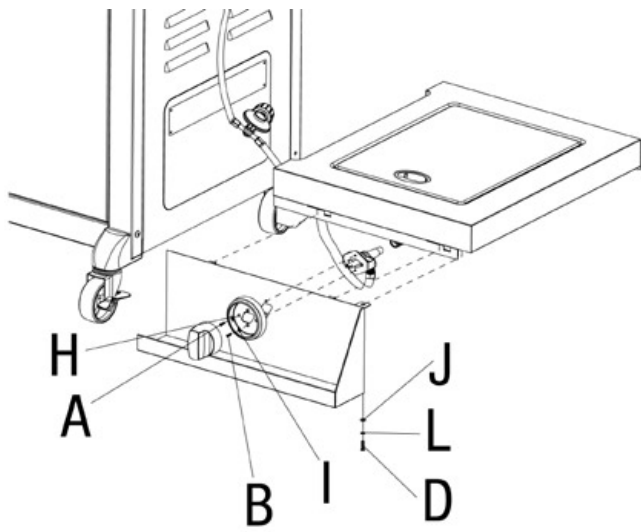
Step 6 Assemble left side shelf

- Insert tabs on left condiment holder into slots on left side shelf and slide right.
- Attach left condiment baskets to left side shelf using medium screw (D), lock washer (L) and large washer (J).



Step 7 Assemble right side shelf

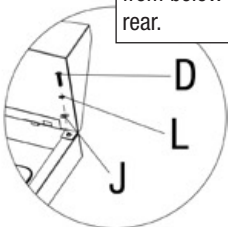
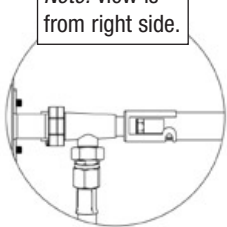
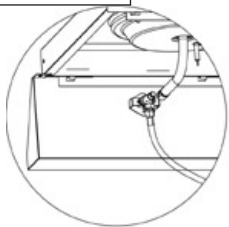
- Attach control knob ring and control valve to right condiment holder using extra small screw 1 (A), extra small screw 2 (B), medium washer (I) and small washer (H).
- Insert tabs on right condiment holder into slots on side burner assembly and slide left.
- Insert control valve nozzle into venturi tube.
- Attach right condiment basket to right side shelf using medium screw (D), lock washer (L) and medium washer (J).



Note: view is from rear.

Note: view is from right side.

Note: view is from below and rear.



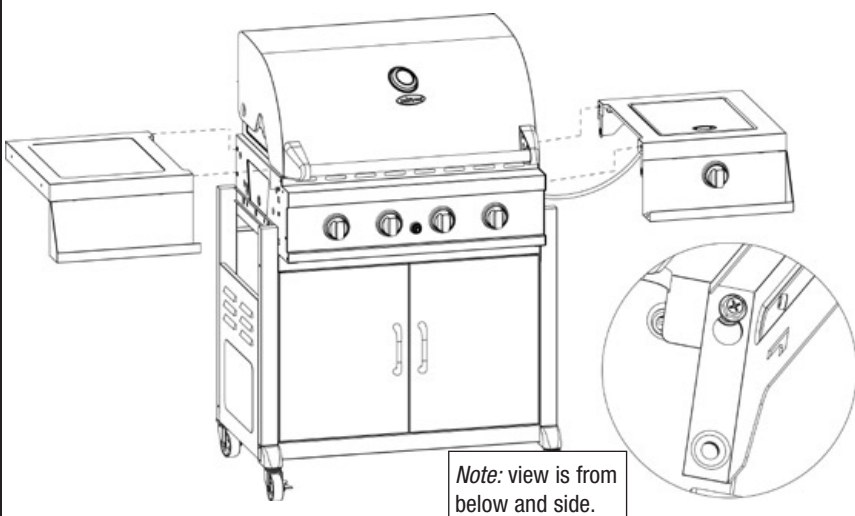
B-2

C

D

Step 8 Attach side shelves

Insert left and right side shelves onto bolts on grill body.

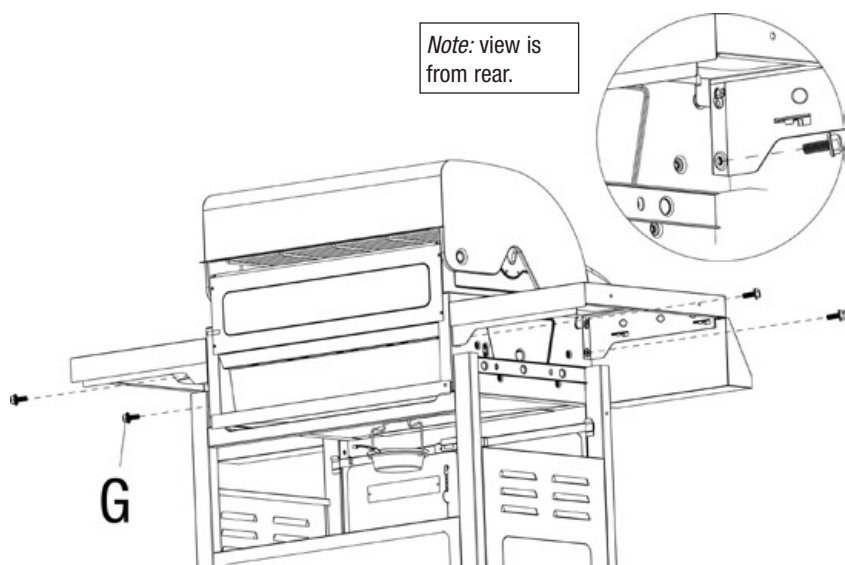


Note: view is from below and side.

Step 9 Secure side shelves

- Secure side shelves to grill body using 4 bolts (G).
- Tighten bolts from Step 5.

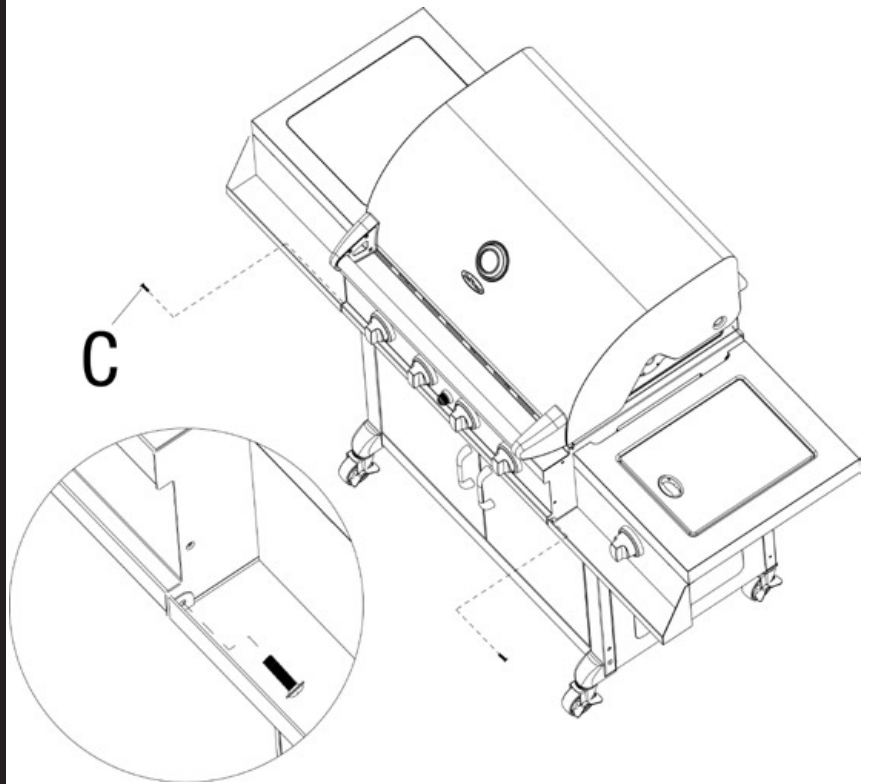
Note: view is from rear.



G

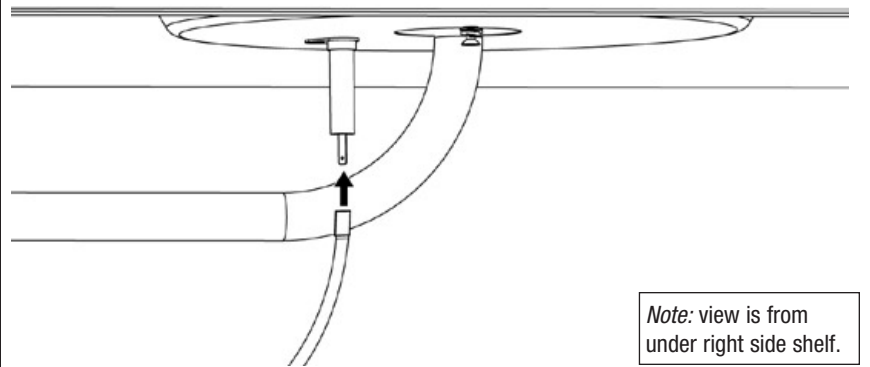
Step 10 Secure side shelves

Secure side shelves to grill body using 2 small screws (C).



Step 11 Attach side burner ignitor wire

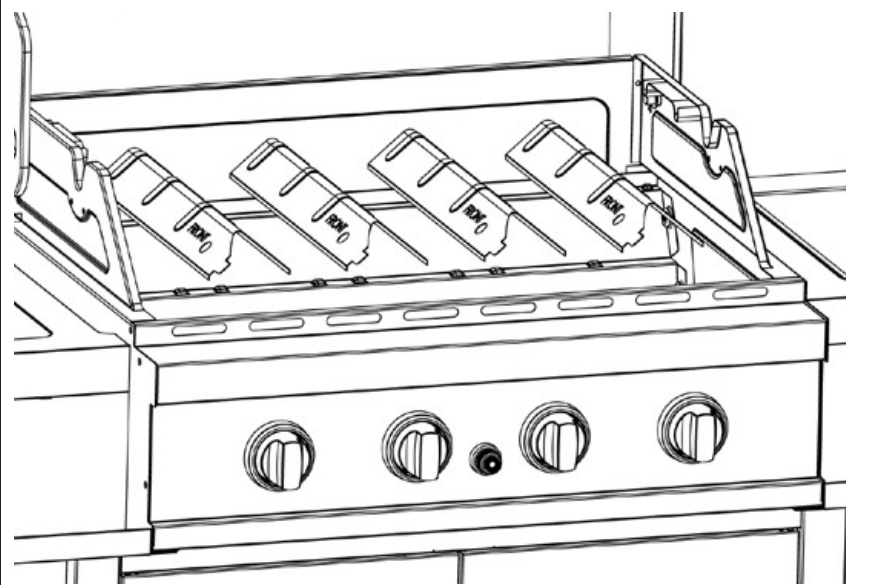
Attach side burner wire from control panel to ignitor on side burner.



Note: view is from under right side shelf.

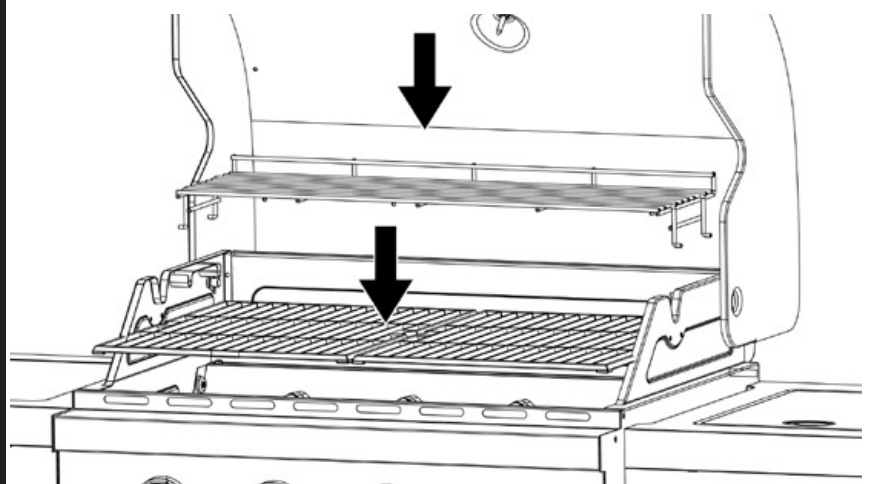
Step 12 Insert heat plates

Place 4 heat plates on tabs above burners.



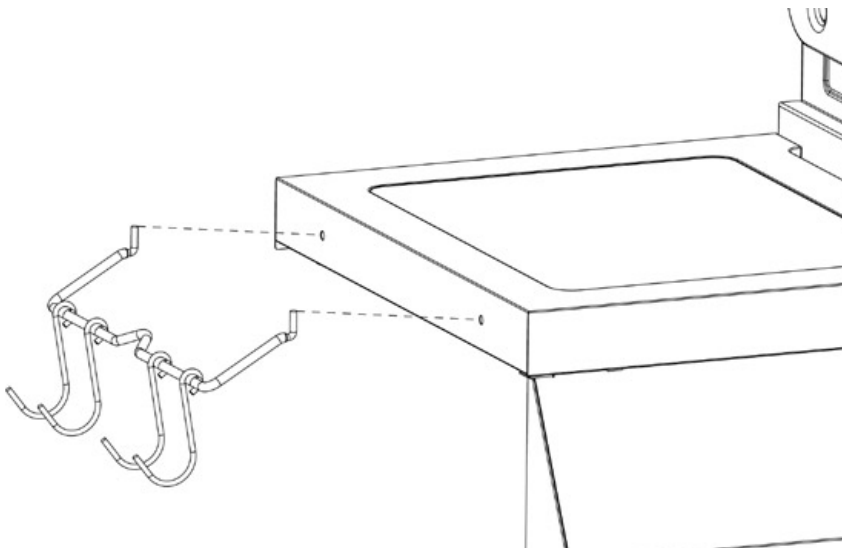
Step 13 Insert cooking grids and warming rack

- Insert cooking grids.
- Place warming rack with legs down onto sides of grill body.



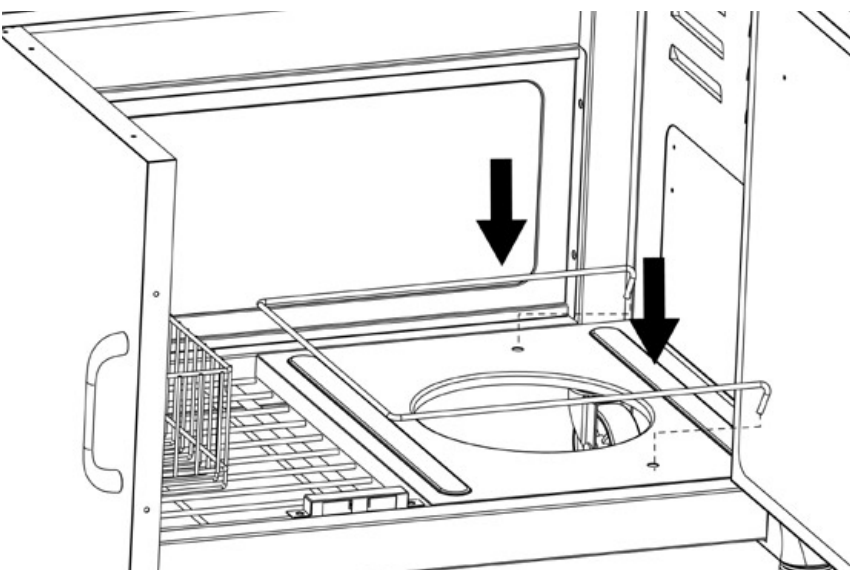
Step 14 Attach tool holder

Insert tool holder into holes in left side shelf.



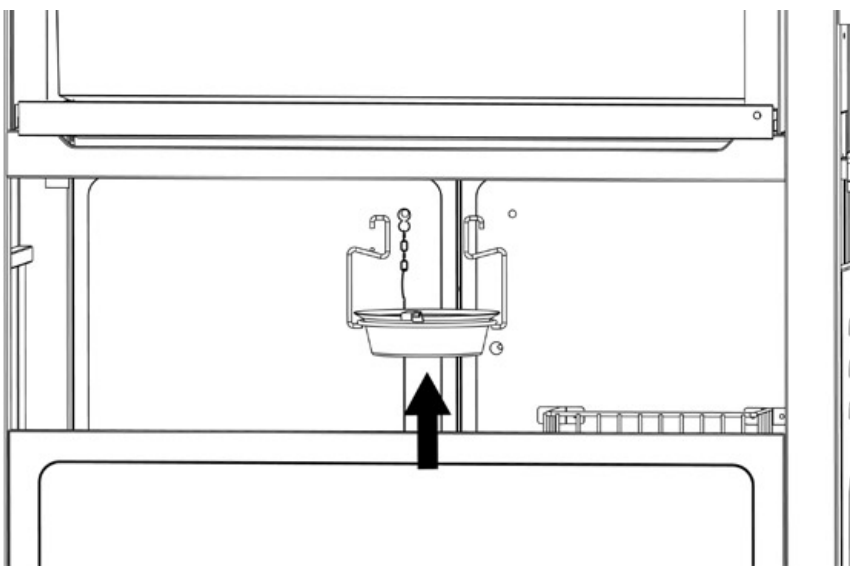
Step 15 Attach tank retainer wire

Insert legs of tank retainer wire into cart base.



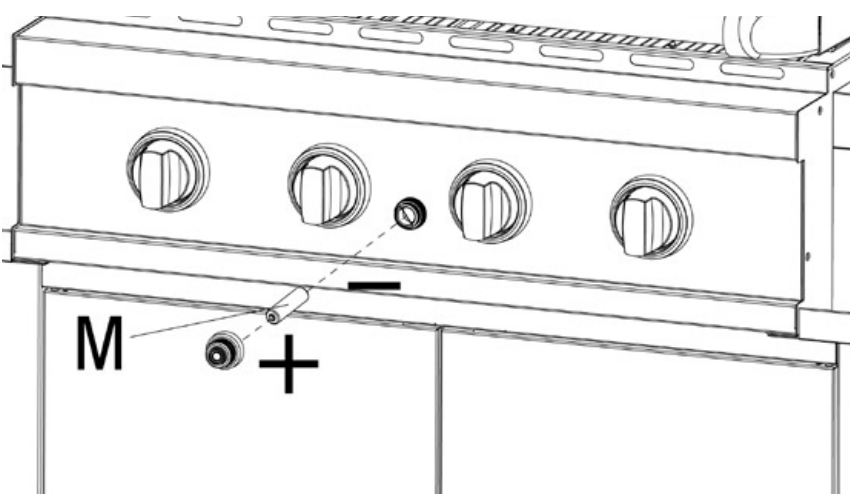
Step 16 Attach grease cup

Hang grease cup from bottom of grill body.



Step 17 Insert battery

- Unscrew ignition button on control panel.
- Remove protective cover from AA Battery.
- Insert battery with positive (+) end facing out.
- Replace ignition button turning clockwise.



Step 18 Completed

Congratulations your assembly is now complete. Read Operating Instructions before proceeding.

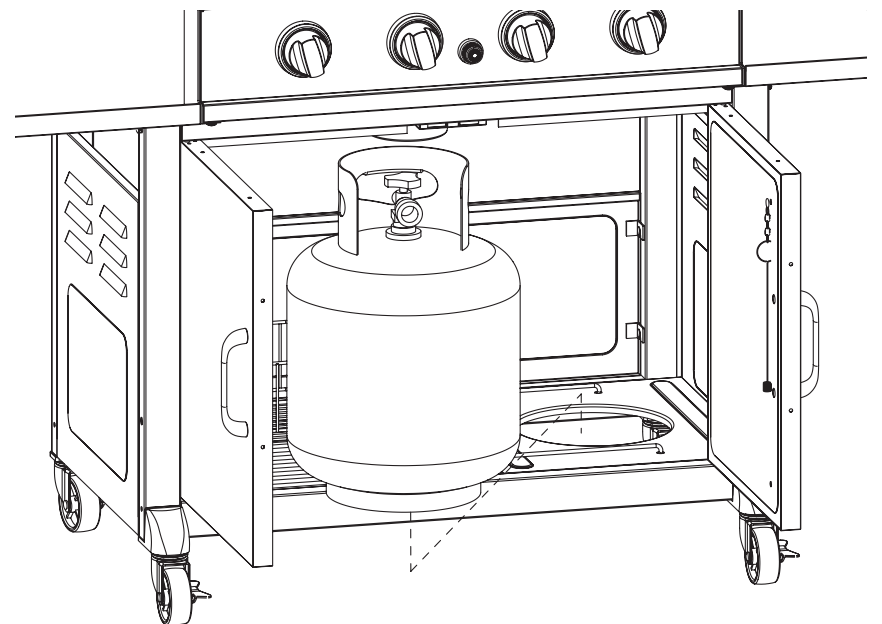


Installing LP Gas Tank

To operate you will need (1) precision-filled standard grill LP gas tank (20#) with external valve threads.

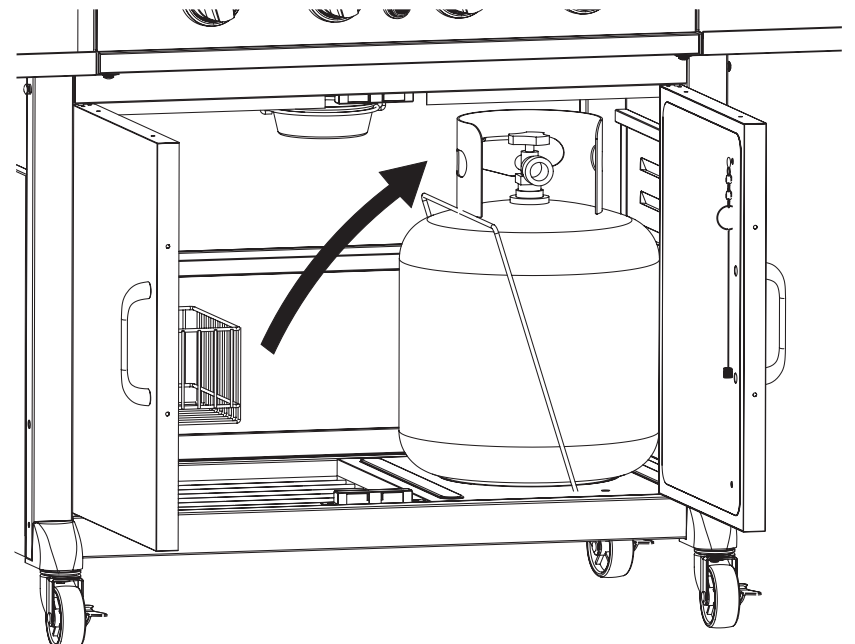
Insert LP Gas Tank

Place precision filled LP gas tank upright into hole in grill body so it is arranged for vapor withdrawal.



Secure LP Gas Tank

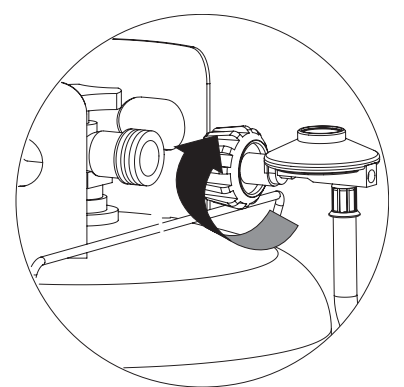
Secure tank by sliding tank retainer wire over shoulder of LP gas tank.



Connect LP Gas Tank

Before connecting, be sure that there is no debris caught in the head of the gas tank, head of the regulator valve or in the head of the burner and burner ports.

Connect gas line to tank by turning knob clockwise until it stops.



Operating Instructions

Checking for Leaks

Burner Connections

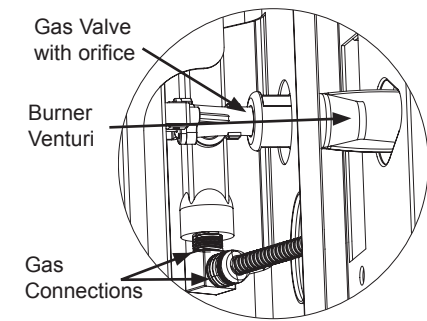
Make sure the regulator valve and hose connections are securely fastened to the burner and the tank.

If your unit was assembled for you, visually check the connection between the burner pipe and orifice. Make sure the burner pipe fits over the orifice.

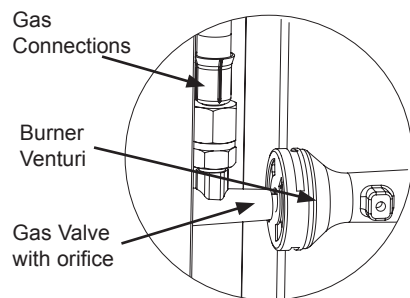
WARNING: Failure to inspect this connection or follow these instructions could cause a fire or an explosion which can cause death, serious bodily injury, or damage to property.

Please refer to diagram for proper installation.

If the burner pipe does not rest flush to the orifice, please contact 1.800.762.1142 for assistance.



Main Burners



Side Burner

Tank/Gas Line Connection

Make 2-3 oz. of leak solution by mixing one part liquid dishwashing soap with three parts water.

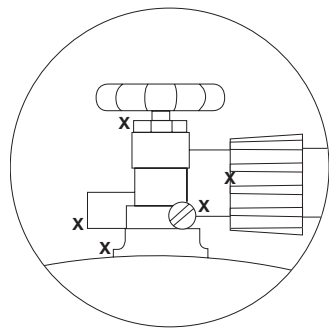
Make sure control knobs are off.

Turn LP gas tank ON at valve.

Spoon leak check solution at all "x" locations

If any bubbles appear turn LP gas tank OFF, reconnect and re-test. If you continue to see bubbles after several attempts, disconnect LP gas source and contact 1.800.762.1142 for assistance.

If no bubbles appear after one minute turn tank OFF, wipe away solution and proceed.



Operating Main Burners

Lighting

1. Open lid. **Attempting to light the burner with the lid closed may cause an explosion!**

2. Make sure there are no obstructions of airflow to the gas unit. Spiders and insects can nest within and clog the burner / venturi tube at the orifice. **A clogged burner tube can lead to a fire beneath the appliance.**

3. All control knobs must be in the OFF position.

4. Turn on gas at LP gas tank.

5. Push and turn control knob counterclockwise to HIGH.

6. Press the electronic igniter button and hold for 5 seconds to light burner.

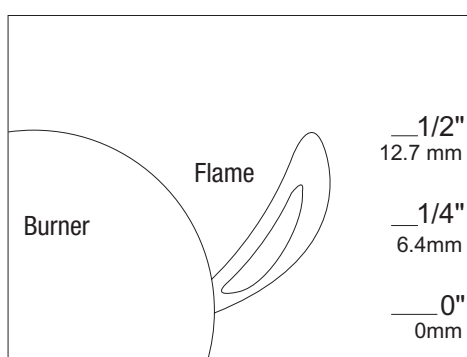
7. If ignition does not occur in 5 seconds, turn burner control knob OFF, wait 5 minutes, and repeat lighting procedure.

8. If igniter does not light burner, use a lit match secured with the lighting rod provided to light burners manually. Access the burners through the cooking grid and heat plates. Position the lit match near side of the burner.

Important: Always use the lighting rod provided when lighting burners with a match.

9. After lighting, observe the burner flame, make sure all burner ports are lit and flame height matches illustration.

CAUTION: If burner flame goes out during operation, immediately turn the gas "OFF" and open lid to let the gas clear for about 5 minutes before re-lighting.



Main burner proper flame height.

Turning Off

1. Turn all control knobs clockwise to the OFF position one at a time.

2. Turn gas off at LP tank.

Initial Use

Before cooking on this grill for the first time, operate the grill for about 15 minutes with the lid closed and the gas turned on "HIGH." This will "heat clean" the internal parts and dissipate odor from the manufacturing processes.

Direct Cooking

1. Light burners per lighting instructions.
2. Set burners to desired level and allow temperature to be reached.
3. Place food directly over burners.
4. With lid open or closed, cook until desired internal temperatures are achieved.

Indirect Cooking

Ideal for roasts and larger cuts of meat.

1. Remove cooking grid.
2. Place metal tray in center, on heat plates.
3. Replace cooking grid.
4. Light burners.
5. Turn center burner off. Set outside burners to desired level and allow temperature to be reached.
6. Place food on cooking grid, directly over metal tray.
7. With lid closed, cook until desired internal temperatures are achieved.

Tips For Better Cook Outs and Longer Product Life

1. Spray or coat cooking surfaces with vegetable oil before cooking to avoid sticking.
2. Place vegetables or delicate foods into aluminum foil pouches.
3. Use a quality grill brush after each event to keep cooking surfaces clean and rust free.
4. Empty grease pan after every use.

CAUTION: Do not cover grill until it is completely cool to the touch.

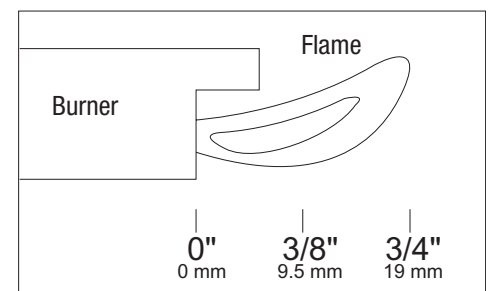
Operating Side Burner

NOTE: Side burner can be used while main burners are operating. Never use side burner as a grill.

Lighting

1. Open lid. **Attempting to light the burner with the lid closed may cause an explosion!**

2. Make sure there are no obstructions of airflow to the gas unit. Spiders and insects can nest within and clog the burner / venturi tube at the orifice. **A clogged burner tube can lead to a fire beneath the appliance.**



Side burner proper flame height.

3. Control knob must be in the OFF position.

4. Turn on gas at LP gas tank.

5. Push and turn control knob counterclockwise to HIGH.

6. Press the electronic igniter button and hold for 5 seconds to light burner.

7. If ignition does not occur in 5 seconds, turn burner control knob OFF, wait 5 minutes, and repeat lighting procedure.

8. If igniter does not light burner, use a lit match secured with the lighting rod provided to light burners manually. Position the lit match near side of the burner.

Important: Always use the lighting rod provided when lighting burners with a match.

9. After lighting, please observe the burner flame, make sure all burner ports are lit and flame height matches illustration.

CAUTION: If burner flame goes out during operation, immediately turn the gas "OFF" and open lid to let the gas clear for about 5 minutes before re-lighting.

Turning Off

1. Turn control knob clockwise to the OFF position.

2. Turn gas off at LP gas tank.

Cooking

1. Light burner.
2. Set burner to desired temperature
3. Place pan on center of grid.
4. Cook and adjust temperature as needed.

Cleaning and Care

Caution

1. All cleaning and maintenance should be done when grill is cool and with the fuel supply disconnected.
2. **DO NOT clean any grill part in a self cleaning oven. The extreme heat will damage the finish.**

Notices

1. Abrasive cleaners will damage this product.
2. Never use oven cleaner to clean any part of grill.
3. Do not clean any grill part in a self cleaning oven. The extreme heat will damage the finish.

Cleaning Surfaces

1. Wipe surfaces clean with mild dishwashing detergent or baking soda.
2. For stubborn surfaces use a citrus based degreaser and a nylon scrubbing brush.
3. Rinse clean with water.

Cleaning Main Burner

1. Turn gas off at the control knobs and LP gas tank.
2. Remove cooking grates and heat plates.
3. Remove burner by removing the fasteners securing the burner to the grill bottom.
4. Lift burner up and away from gas valve orifice.
5. Disconnect wire from spark electrode.
6. Clean inlet (venturi) of burner with small bottle brush or compressed air.
7. Remove all food residue and dirt on burner surface.
8. Clean any clogged ports with a stiff wire (such as an opened paper clip)
9. Inspect burner for any damage (cracks or holes). If damage is found, replace with new burner.
10. Reinstall burner, check to insure that gas valve orifice is correctly positioned inside burner inlet (venturi). Also check position of spark electrode.

Cleaning Side Burner

1. Turn gas off at the control knobs and LP gas tank.
2. Remove side burner grid.
3. Remove burner by removing the screws securing the burner to the side shelf.
4. Lift burner up and away from gas valve orifice.
5. Clean inlet (venturi) of burner with small bottle brush or compressed air.
6. Remove all food residue and dirt on burner surface.
7. Clean any clogged ports with a stiff wire (such as an opened paper clip)
8. Inspect burner for any damage (cracks or holes). If damage is found, replace with new burner.
9. Reinstall burner, check to insure that gas valve orifice is correctly positioned inside burner inlet (venturi). Also check position of spark electrode.

Product Registration

Please register your product immediately at www.BlueRhino.com or call 1.800.762.1142.

Limited Warranty

Blue Rhino Global Sourcing, LLC ("Vendor") warrants to the original retail purchaser of this grill, and to no other person, that if this grill is assembled and operated in accordance with the printed instructions accompanying it, then for a period of one (1) year from the date of purchase, all parts in such grill shall be free from defects in material and workmanship. Vendor may require reasonable proof of your date of purchase from an authorized retailer or distributor. Therefore, you should retain your sales slip or invoice. This Limited Warranty shall be limited to the repair or replacement of parts, which prove defective under normal use and service and which Vendor shall determine in its reasonable discretion upon examination to be defective. Before returning any parts, you should contact Vendor's Customer Service Department using the contact information listed below. If Vendor confirms, after examination, a defect covered by this Limited Warranty in any returned part, and if Vendor approves the claim, Vendor will replace such defective part without charge. If you return defective parts, transportation charges must be prepaid by you. Vendor will return replacement parts to the original retail purchaser, freight or postage prepaid.

This Limited Warranty does not cover any failures or operating difficulties due to accident, abuse, misuse, alteration, misapplication, improper installation or improper maintenance or service by you or any third party, or failure to perform normal and routine maintenance on the grill, as set out in this owner's manual. In addition, the Limited Warranty does not cover damage to the finish, such as scratches, dents, discoloration, rust or other weather damage, after purchase.

This Limited Warranty is in lieu of all other express warranties. Vendor disclaims all warranties for products that are purchased from sellers other than authorized retailers or distributors. AFTER THE PERIOD OF THE ONE (1)-YEAR EXPRESS WARRANTY, VENDOR DISCLAIMS ANY AND ALL IMPLIED WARRANTIES, INCLUDING WITHOUT LIMITATION THE IMPLIED WARRANTIES OF MERCHANTABILITY AND FITNESS FOR A PARTICULAR PURPOSE. FURTHER, VENDOR SHALL HAVE NO LIABILITY WHATSOEVER TO PURCHASER OR ANY THIRD PARTY FOR ANY SPECIAL, INDIRECT, PUNITIVE, INCIDENTAL, OR CONSEQUENTIAL DAMAGES. Vendor assumes no responsibility for any defects caused by third parties. This Limited Warranty gives the purchaser specific legal rights; a purchaser may have other rights depending upon where he or she lives. Some jurisdictions do not allow the exclusion or limitation of special, incidental or consequential damages, or limitations on how long a warranty lasts, so the above exclusion and limitations may not apply to you.

Vendor does not authorize any person or company to assume for it any other obligation or liability in connection with the sale, installation, use, removal, return, or replacement of its equipment, and no such representations are binding on Vendor.

Blue Rhino Global Sourcing, LLC
 104 Cambridge Plaza Drive
 Winston-Salem, North Carolina 27104 USA
 (800) 762-1142
 24 Hour Fax: (336) 659-6743
 CustomerService@BlueRhino.com

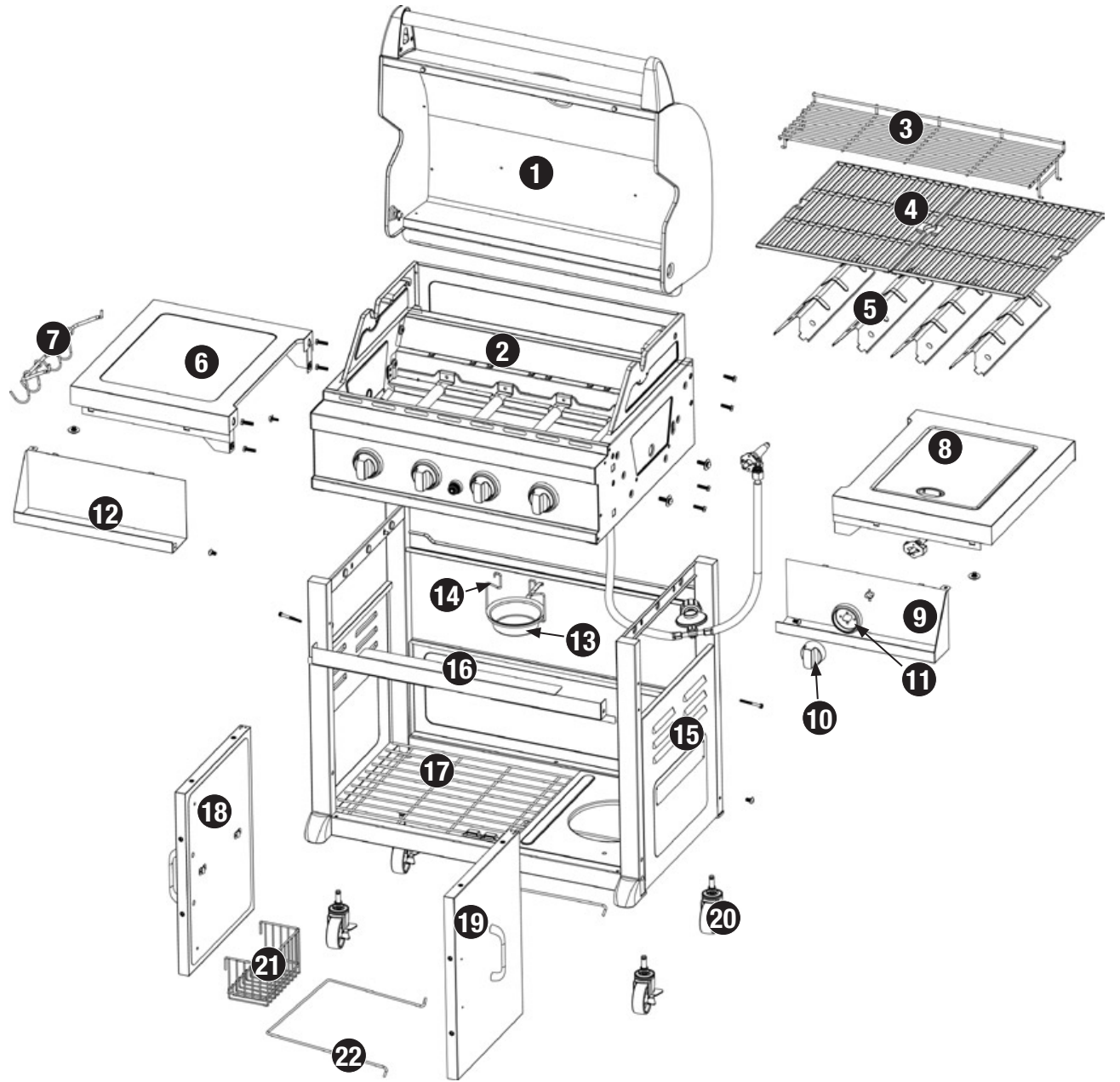


Troubleshooting

Problem	Possible Cause	Prevention/Cure
Burner will not light using ignitor	Wires or electrode covered with cooking residue.	Clean wire and/or electrode with rubbing alcohol.
	Electrode and burners are wet.	Wipe dry with cloth.
	Electrode cracked or broken - sparks at crack.	Replace electrode.
	Wire loose or disconnected.	Reconnect wire or replace electrode/wire assembly
	Wire is shorting (sparking) between ignitor and electrode.	Replace ignitor wire/electrode assembly
	Bad ignitor.	Replace ignitor
Burner will not light with match	No gas flow.	Check if LP cylinder is empty. If LP cylinder is not empty, refer to "Sudden drop in gas flow (reduced flame height). If empty, replace or refill.
	Coupling nut and regulator not fully connected.	Turning the coupling nut about one-half to three quarters additional turn until solid stop. Tighten by hand only-do not use tools.
	Obstruction of gas flow.	Clear burner tubes. Check for bent or kinked hose.
	Disengagement of burner to valve.	Reengage burner and valve.
	Spider webs or insect nest in venturi.	Clean venturi.
	Burner ports clogged or blocked.	Clean burner ports.
Sudden drop in gas flow or reduced flame height	Out of gas.	Check for gas in the LP cylinder
	Excess flow safety device may have been activated.	Turn off knobs, wait 30 seconds and light grill. If flames are still too low Reset the excessive flow safety device by turning off knobs and LP cylinder valve. Disconnect regulator. Turn burner control knobs to HIGH. Wait 1 minute. Turn burner control knobs off. Reconnect regulator and leak check connections. Turn LP cylinder valve on slowly, wait 30 seconds and then light grill.
Irregular flame pattern, flame does not run the full length of burner.	Burner ports are clogged or blocked.	Clean burner ports.
Flame is yellow or orange.	New burner may have residual manufacturing oils.	Burn grill for 15 minutes with the lid closed
	Spider webs or insect nest in venturi	Clean venturi.
	Food residue, grease or seasoning salt on burner.	Clean burner.
	Poor alignment of valve to burner venturi.	Assure burner venturi is properly engaged with valve
Flame blow out	High or gusting winds	Turn front of grill to face wind or increase flame height to HIGH setting
	Low on LP Gas	Replace or refill LP cylinder
	Excess flow valve tripped	Refer to "Sudden drop in gas flow"
Flare-up	Grease buildup.	Clean grill.
	Excess fat in meat.	Trim fat from meat before grilling.
	Excessive cooking temperature.	Adjust (lower) temperature accordingly.
Persistent grease fire.	Grease trapped by food buildup around burner system	Turn knobs to OFF. Turn gas off at LP cylinder. Leave lid in closed position and let fire burn out. After grill cools, remove and clean all parts.
Flashback (fire in burner tube(s))	Burner and/or burner tubes are blocked	Clean burner and/or burner tubes
Inside of lid is peeling-like paint peeling	The lid is stainless steel, not paint.	Baked on grease buildup has turned to carbon and is flaking off. Clean thoroughly.

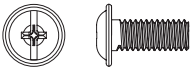
Exploded View

1. Lid Assembly*
 2. Body Assembly
 3. Warming Rack
 4. Cooking Grid (2)
 5. Heat Plate (4)
 6. Left Side Shelf
 7. Tool Holder
 8. Side Burner Assembly
 9. Right Condiment Holder
 10. Control Knob
 11. Control Knob Ring
 12. Left Condiment Holder
 13. Grease Cup
 14. Grease Cup Support
 15. Cart Assembly
 16. Cross Bar
 17. Bottom Shelf*
 18. Left Door
 19. Right Door
 20. Wheel Assembly (4)
 21. Basket
 22. Tank Retainer Wire
- *Pre assembled

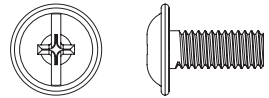


Hardware

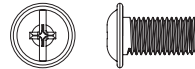
A. Extra Small Screw 1 1 pc
M4x12 Nickel Plated Phillips Truss Head Screw



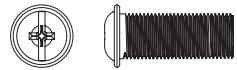
B. Extra Small Screw 2 1 pc
M5x12 Nickel Plated Phillips Truss Head Screw



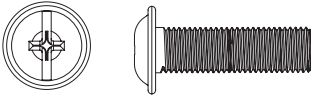
C. Small Screw 2 pcs
M5x12 Nickel Plated Phillips Truss Head Screw



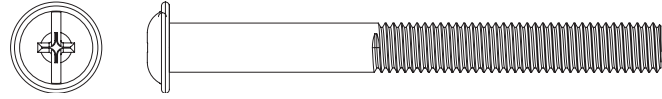
D. Medium Screw 2 pcs
M6x15 Nickel Plated Phillips Truss Head Screw



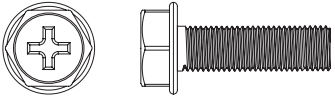
E. Large Screw 4 pcs
M6x20 Nickel Plated Phillips Truss Head Screw



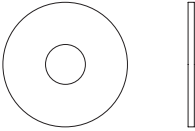
F. Extra Large Screw 2 pcs
M6x65 Nickel Plated Phillips Truss Head Screw



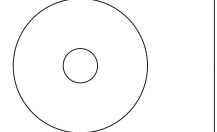
G. Bolt 8 pcs
M6x20 Nickel Plated Hex Head Bolt



H. Small Washer 1 pc
ø4.3 Nickel Plated Washer



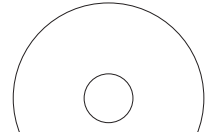
I. Medium Washer 1 pc
ø5.4 Nickel Plated Washer



J. Large Washer 2 pcs
ø6.4 Nickel Plated Washer



K. Extra Large Washer 6 pcs
ø6.4 Nickel Plated Washer



L. Lock Washer 8 pcs
ø6.5 Nickel Plated Lock Washer

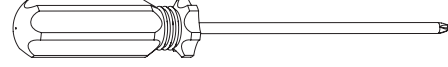


M. AA Battery* 1 pc



Tools Included

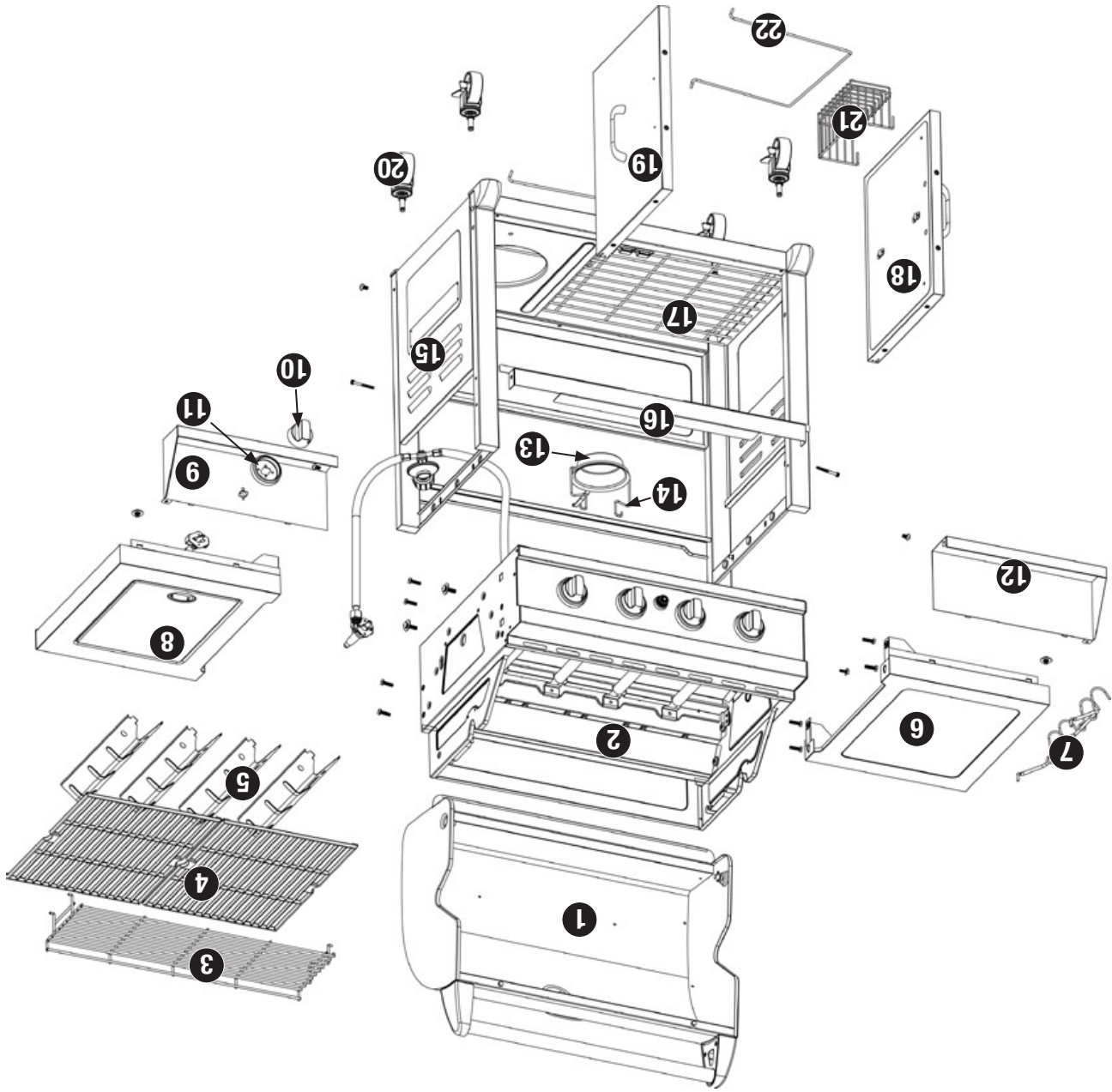
N. Screwdriver* 1 pc



* Not shown at actual size.

Diagrama de Explosión

1. Conjunto de tapa*
2. Conjunto del cuerpo de la parrilla
3. Rejilla de calentamiento
4. Parrilla de cocción (2)
5. Placa de calentamiento (4)
6. Estante de lado izquierdo
7. Ganchos para utensilios de cocción
8. Conjunto de quemador lateral
9. Repisa derecha para condimentos
10. Perilla de control
11. Anillo de la perilla de control
12. Repisa izquierda para condimentos
13. Taza para la grasa
14. Soporte de la taza para la grasa
15. Conjunto de carro
16. Barra de travesaño
17. Repisa de abajo*
18. Puerta izquierda
19. Puerta derecha
20. Conjunto de rueda (4)
21. Canasta
22. Retenedor de alambre para la bomba de gas



Elementos de Ferrería

- | | |
|--|---|
| A. Tornillo muy pequeño #1
Tornillo niquelado de cabeza abombada Phillips M4x12 | 1 |
| B. Tornillo muy pequeño #2
Tornillo niquelado de cabeza abombada Phillips M5x12 | 1 |
| C. Tornillo pequeño
Tornillo niquelado de cabeza abombada Phillips M5x12 | 2 |
| D. Tornillo mediano
Tornillo niquelado de cabeza abombada Phillips M6x15 | 2 |
| E. Tornillo grande
Tornillo niquelado de cabeza abombada Phillips M6x20 | 4 |
| F. Tornillo extra largo
Tornillo niquelado de cabeza abombada Phillips M6x65 | 2 |
| G. Perno
Perno niquelado de cabeza hex. M6x20 | 8 |
| H. Arandela pequeña
Arandela niquelada ø4,3 | 1 |

Herramientas incluidas

- | | |
|--|---|
| I. Arandela mediana
Arandela niquelada ø5,4 | 1 |
| J. Arandela grande
Arandela niquelada ø6,4 | 2 |
| K. Arandela extra grande
Arandela niquelada ø6,4 | 6 |
| L. Arandela de cierre
Arandela de cierre niquelada ø6,5 | 8 |
| M. Pila AA** | 1 |
| N. Destornillador** | 1 |
- **Esta pieza no se ve a tamaño real.



Resolución de Problemas

Problema	Causa Posible	Prevención/Solución
El quemador no se enciende utilizando el dispositivo de encendido.	<p>Cables o electrodos cubiertos con restos de alimentos.</p> <p>Limpiar el cable y/o electrodo con alcohol isopropílico.</p> <p>Séquelos con un paño.</p> <p>Electrodo agrietado o roto; chispas en las grietas.</p> <p>Sustituya el electrodo.</p> <p>Cable suelto o desconectado.</p> <p>Vuelva a conectar el cable o sustituya el conjunto electrodo/cable.</p> <p>El cable tiene un cortocircuito (chispeo) entre el dispositivo de encendido y el electrodo.</p> <p>Sustituya el conjunto cable del dispositivo de encendido/electrodo.</p> <p>Dispositivo de encendido defectuoso.</p> <p>Sustituya el dispositivo de encendido</p>	<p>Compruebe si la bomba de propano líquido está vacía. Si la bomba de propano líquido no está vacía, consulte la sección "Cada repentina del flujo de gas" (tamaño de llama insuficiente). Si está vacía, sustitúyala o vuelva a llenarla.</p> <p>Gire la tuerca de acoplamiento entre media vuelta y tres cuartos de vuelta hasta que haga tope con firmeza. Apriete únicamente a mano, sin utilizar ninguna herramienta.</p> <p>Limpiar los tubos del quemador. Verifique que la manguera no esté torcida o doblada.</p> <p>Desacoplamiento del quemador a la válvula.</p> <p>Vuelva a conectar el quemador y la válvula.</p> <p>Telarañas o nidos de insectos en el venturi.</p> <p>Limpiar el tubo de venturi.</p> <p>Bocas del quemador atascadas u obstruidas.</p>
El quemador no se enciende con una cerilla.	<p>No hay flujo de gas.</p> <p>Compruebe si la bomba de propano líquido está vacía. Si la bomba de propano líquido no está vacía, consulte la sección "Cada repentina del flujo de gas" (tamaño de llama insuficiente). Si está vacía, sustitúyala o vuelva a llenarla.</p> <p>Gire la tuerca de acoplamiento entre media vuelta y tres cuartos de vuelta hasta que haga tope con firmeza. Apriete únicamente a mano, sin utilizar ninguna herramienta.</p> <p>Limpiar los tubos del quemador. Verifique que la manguera no esté torcida o doblada.</p> <p>Obstrucción del flujo de gas.</p> <p>Desacoplamiento del quemador a la válvula.</p> <p>Vuelva a conectar el quemador y la válvula.</p> <p>Telarañas o nidos de insectos en el venturi.</p> <p>Limpiar el tubo de venturi.</p> <p>Bocas del quemador atascadas u obstruidas.</p>	<p>Compruebe si hay gas en la bomba de propano líquido.</p> <p>Gire las perillas a la posición "off" (apagado), espere 30 segundos y encienda la parrilla. Si las llamas continúan siendo demasiado bajas reinicie el dispositivo de seguridad de flujo excesivo girando las perillas a la posición "off" y la válvula de la bomba de propano líquido. Desconecte el regulador. Gire las perillas de control del quemador a la posición "HIGH". Espere 1 minuto. Gire las perillas de control del quemador a la posición "off". Vuelva a conectar las conexiones del regulador y del dispositivo de comprobación de fugas. Abra lentamente la válvula de la bomba de propano líquido, espere 30 segundos y, a continuación, encienda la parrilla.</p>
Caída repentina del flujo de gas o altura de la llama insuficiente.	<p>Puede que se haya activado el dispositivo de seguridad de exceso de flujo.</p> <p>Gire las perillas a la posición "off" (apagado), espere 30 segundos y encienda la parrilla. Si las llamas continúan siendo demasiado bajas reinicie el dispositivo de seguridad de flujo excesivo girando las perillas a la posición "off" y la válvula de la bomba de propano líquido. Desconecte el regulador. Gire las perillas de control del quemador a la posición "HIGH". Espere 1 minuto. Gire las perillas de control del quemador a la posición "off". Vuelva a conectar las conexiones del regulador y del dispositivo de comprobación de fugas. Abra lentamente la válvula de la bomba de propano líquido, espere 30 segundos y, a continuación, encienda la parrilla.</p>	<p>Limpiar las bocas del quemador.</p>
Falta de uniformidad en la llama, la llama no cubre toda la longitud del quemador.	<p>Las bocas del quemador están atascadas u obstruidas.</p>	<p>Limpiar las bocas del quemador.</p>
La llama es de color amarillo o naranja.	<p>Puede que el nuevo quemador tenga aceites residuales del proceso de fabricación.</p> <p>Haga funcionar la parrilla durante 15 minutos con la tapa cerrada.</p> <p>Telarañas o nidos de insectos en el venturi.</p> <p>Limpiar el venturi.</p> <p>Restos de alimentos, grasa o sal para condimentar en el quemador.</p> <p>Limpiar el quemador.</p> <p>Alineación incorrecta entre la válvula y el quemador de venturi.</p>	<p>Asegúrese de que el quemador venturi está conectado adecuadamente a la válvula.</p>
La llama se apaga.	<p>Vientos fuertes o racheados.</p> <p>Nivel de gas del PL bajo.</p> <p>Válvula de exceso de flujo obstruida.</p>	<p>Gire el frente de la parrilla de cara al viento o aumente la altura de la llama a la graduación HIGH – Alta.</p> <p>Sustituya la bomba o vuelva a llenarla.</p> <p>Consulte la sección "Cada repentina del flujo de gas".</p>
Fogonazo.	<p>Formaciones de grasa.</p> <p>Carne con exceso de grasa.</p>	<p>Limpiar la parrilla.</p> <p>Retire la grasa de la carne antes de ponerla en la parrilla.</p>
La grasa provoca un fuego persistente	<p>Grasa atascada por la acumulación de comida alrededor del sistema de quemadores</p>	<p>Si está utilizando una temperatura excesiva para cocinar. Ajuste (baje) la temperatura según corresponda.</p> <p>Gire las perillas a la posición "OFF". Cierre el gas de la bomba de propano líquido. Deje la tapa cerrada y deje que el fuego se consuma. Una vez se haya enfriado la parrilla, quite y limpie todas las piezas.</p>
Centelleos (hay fuego en el(s) tubo(s) del quemador).	<p>El quemador y/o juegos de quemadores están bloqueados.</p>	<p>Limpiar el quemador y/o los tubos del quemador.</p>
El interior de la tapa se está pelando; igual que cuando se pela la pintura.	<p>La tapa es de acero inoxidable, no pintada.</p>	<p>La acumulación de grasa se ha convertido en carbón y se está desmenuzando. Limpíela completamente.</p>

Limpieza y Cuidado

Precaución

1. Todas la operaciones de limpieza y mantenimiento deben realizarse con la parrilla fría y con el suministro de combustible de la bomba de propano líquido cerrado.
2. NO limpie ninguna pieza de esta parrilla en un horno de limpieza automática. El calor extremo dañará el terminado.

Avisos

1. No use productos de limpieza abrasivos pues dañarán este aparato.
2. No utilice nunca productos limpiahornos para limpiar cualquier pieza de la parrilla.
3. Nunca use ninguna pieza de esta parrilla en un horno de limpieza automática. El calor extremo dañará el terminado.

Limpieza de las Superficies

1. Limpie las superficies con un detergente suave de lavado de platos o con soda de hornear.

2. En superficies de limpieza difícil, use un desengrasador a base de cítricos y un cepillo de nylon.
3. Enjuague las superficies con agua limpia.

Limpieza del quemador principal

1. Cierre el gas en las perillas de control y en la bomba de propano líquido.
2. Remueva las parrillas de cocción y las placas de calentamiento.
3. Remueva el quemador, quitando los tres ganchos que aseguran el quemador al fondo de la parrilla.
4. Saque el quemador, levantándolo y alejándolo del orificio de la válvula de gas.
5. Desconecte el alambre del electrodo que produce la chispa.
6. Limpie la entrada (venturi) del quemador usando un cepillo pequeño de limpiar botellas o un chorro de aire comprimido.
7. Remueva todo residuo de comida o desperdicio que haya quedado en la superficie del quemador.
8. Limpie puertos que se encuentren obstruidos, usando un alambre firme (tal como un sujetapapeles abierto).
9. Inspeccione el quemador para verificar si tiene daños (grietas o perforaciones). Si encuentra daños, sustitúyalo con un nuevo quemador.
10. Vuelva a instalar el quemador, verificando que los orificios de la válvula de gas quedan colocados correctamente dentro de la entrada del quemador (venturi). También verifique la posición del electrodo de chispa.

Limpieza del quemador lateral

1. Cierre el gas en las perillas de control y en la bomba de propano líquido.
2. Remueva la parrilla del quemador lateral.
3. Remueva el quemador, quitando los dos tornillos que aseguran el quemador en la repisa lateral.
4. Saque el quemador, levantándolo y alejándolo del orificio de la válvula de gas.
5. Limpie la entrada del quemador (venturi) usando un cepillo pequeño de limpiar botellas o un chorro de aire comprimido.
6. Remueva todo residuo de comida o desperdicio que haya quedado en la superficie del quemador.
7. Limpie los puertos que se encuentren obstruidos, usando un alambre firme (tal como un sujetapapeles abierto).
8. Inspeccione el quemador para verificar si tiene daños (grietas o perforaciones). Si encuentra daños, sustitúyalo con un nuevo quemador.
9. Vuelva a instalar el quemador, verificando que los orificios de la válvula de gas quedan colocados correctamente dentro de la entrada del quemador (venturi). También verifique la posición del electrodo de chispa.

Cocción

2. Cierre el gas en la bomba de propano líquido.

1. Encienda el quemador.

2. Gradúe el quemador al nivel deseado.

3. Coloque la cazuela en el centro de la parrilla.

4. Deje cocer los alimentos y ajuste la temperatura si es necesario.

Garantía Limitada

Blue Rhino Sourcing, LLC (“el fabricante”) garantiza al comprador original, al detal, de esta parrilla que si la unidad se arma y opera de acuerdo con las instrucciones impresas que la acompañan y por un periodo de un (1) año a partir de la fecha de compra. Todas las piezas de la parrilla estarán libres de defectos en material y mano de obra. El fabricante podrá requerir prueba razonable de la fecha de compra. Por lo tanto, usted debe conservar el recibo de venta o la factura. Esta Garantía Limitada estará limitada a la reparación o reemplazo de las piezas que resulten defectuosas en condiciones de servicio y uso normal y las que un examen indique, a satisfacción del fabricante, que están defectuosas. Antes de devolver cualquier pieza, comuníquese con el Departamento de Servicio al Cliente (Customer Service Department) del fabricante. Si el fabricante confirma el defecto y aprueba el reclamo, el fabricante decidirá reemplazar tales partes sin costo alguno. Si se le pide que devuelva las partes defectuosas, los costos de transporte deberán ser prepagados. El fabricante devolverá las partes al cliente con costo de transporte o envío prepagados.

Esta Garantía Limitada no cubre fallas o dificultades de operación debidas a accidente, abuso, mal uso, alteración, empleo en usos inapropiados, instalación defectuosa o mantenimiento o servicio inapropiado o falla en la realización de mantenimiento normal y rutinario como se prescribe en este manual del usuario. Además, la garantía limitada no cubre daños al terminado de la unidad, tales como rasguños, abolladuras, descoloridos, oxidaciones y otros daños causados por la intemperie después de la compra de la unidad.

Esta garantía limitada reemplaza cualquier otra garantía. El fabricante no asume ninguna responsabilidad por garantías de productos vendidos por quienes no sean distribuidores o vendedores al detal autorizados. Esta exención de responsabilidad incluye cualquier garantía de comerciabilidad o la garantía de aptitud para un propósito en particular. UNA VEZ TERMINADO EL PERIODO DE UN (1) AÑO DE GARANTIA EXPRESA, EL FABRICANTE NO SE HACERESPONSABLE PORNINGUNA O CUALQUIER GARANTIA IMPLICITA INCLUYENDO, SIN LIMITACIONES, LAS GARANTIAS IMPLICITAS DE COMERCIABILIDAD Y ADAPTABILIDAD PARA UN PROPOSITO PARTICULAR, ADEMAS, EL FABRICANTE NO ASUME NINGUNA RESPONSABILIDAD, ANTE EL COMPRADOR O ANTE CUALQUIER TERCERA PERSONA, POR DAÑOS ESPECIALES, INDIRECTOS, PUNITIVOS, INCIDENTALES O CONSECUENCIALES. El fabricante, además, no asume responsabilidad por garantías implícitas o expresas por defectos de mano de obra causados por terceras personas. Esta garantía limitada le da al comprador derechos legales específicos y residan. Ciertas jurisdicciones no permiten limitaciones en cuanto a la duración de una garantía implícita, de manera que esta limitación puede no ser aplicable a usted.

El fabricante no autoriza a ninguna persona o compañía para asumir por el fabricante cualquier otra obligación a responsabilidad relacionada con la venta, instalación, uso, remoción, devolución o reemplazo de este equipo y cualquier representación de esta naturaleza no obliga al fabricante.

Blue Rhino Global Sourcing, LLC

104 Cambridge Plaza Drive

Winston-Salem, North Carolina 27104 EE.UU.

Teléfono (800) 762-1142

Fax las 24 horas: (336) 659-6743

CustomerService@BlueRhino.com

1. Cierre el gas en las perillas de control y en la bomba de propano líquido.
2. Remueva la parrilla del quemador lateral.
3. Remueva el quemador, quitando los dos tornillos que aseguran el quemador en la repisa lateral.
4. Saque el quemador, levantándolo y alejándolo del orificio de la válvula de gas.
5. Limpie la entrada del quemador (venturi) usando un cepillo pequeño de limpiar botellas o un chorro de aire comprimido.
6. Remueva todo residuo de comida o desperdicio que haya quedado en la superficie del quemador.
7. Limpie los puertos que se encuentren obstruidos, usando un alambre firme (tal como un sujetapapeles abierto).
8. Inspeccione el quemador para verificar si tiene daños (grietas o perforaciones). Si encuentra daños, sustitúyalo con un nuevo quemador.
9. Vuelva a instalar el quemador, verificando que los orificios de la válvula de gas quedan colocados correctamente dentro de la entrada del quemador (venturi). También verifique la posición del electrodo de chispa.



Instrucciones de Operación

Comprobar si Hay Fugas

Conexiones del quemador

Asegúrese de conectar adecuadamente la válvula del regulador al quemador y la bomba.

Si alguien armó la unidad para usted, verifique visualmente la conexión entre el tubo del quemador y el orificio. Asegúrese de que el tubo del quemador encaja sobre el orificio.

ADVERTENCIA: El no

inspeccionar esta conexión o seguir debidamente

estas instrucciones puede

causar incendio o explosión

ocasionando muerte, graves lesiones o daños a la propiedad.

Por favor, consulte el diagrama para llevar a cabo correctamente la instalación.

Si el tubo del quemador no queda a ras con el orificio, por favor llame al 1.800.762.1142.

Conexión de la Línea de Gas y de la Bombona

Prepare unos 80 ml de solución para comprobar si hay fugas mezclando una parte de jabón líquido para lavar platos y tres partes de agua.

Asegúrese de que las perillas de control están en la posición "OFF" (apagado).

Abra el gas (ON) desde la válvula de bombona.

Aplique con una cuchara la solución de verificación de escapes en todas las

ubicaciones marcadas con "X".

Si en cualquier punto aparecen burbujas,

cierre la válvula de la bombona (OFF), vuelva a conectar la manguera y verifique nuevamente.

Si las burbujas continúan apareciendo después de varios ensayos, desconecte la fuente de propano y llame al teléfono 1.800.762.1142 para notificar el defecto.

Si no aparecen burbujas por un lapso de un minuto, cierre (OFF) la válvula de la bombona de gas y limpie la solución para continuar el proceso.

Operación de los Quemadores Principales:

Encendido

1. Abra la tapa. **!Si intenta encender el quemador con la tapa cerrada puede provocar una explosión!**

2. Asegúrese de que no hay nada que obstruya el flujo de aire en la unidad de gas. Arañas y otros insectos pueden formar sus nidos dentro y obstruir los orificios del quemador/tubo de venturi. **Un tubo de quemador obstruido puede provocar un incendio debajo del aparato.**

3. Todas las perillas y válvulas tienen que estar en la posición "OFF" (apagado).

4. Abra el gas desde la bombona.

5. Oprima y gire la perilla de control en el sentido contrario a las manecillas del reloj para situarlo en la posición "HIGH" (alto).

6. Oprima la perilla del dispositivo de encendido electrónico y manténgala así por 5 segundos para que el elemento de ignición encienda el quemador.

7. Si el quemador no se enciende en 5 segundos, gire la perilla de control a "OFF" (apagado), espere 5 minutos y repita el procedimiento de encendido.

8. En caso de que el elemento de ignición no encienda el quemador, use una cerilla encendida colocada en la varilla de encendido que se acompaña para encender los quemadores manualmente. Gane acceso a los quemadores por el espacio entre la rejilla de cocción y las placas de calentamiento. Acerque la llama de la cerilla al lado del quemador.

9. Después de encender el quemador observe su llama y asegúrese de que todos los orificios estén encendidos y que la altura de la llama corresponda a la del diagrama.

PRECAUCIÓN: Si la llama del quemador se apaga durante el funcionamiento, cierre el gas ("OFF") inmediatamente y abra la

tapa durante 5 minutos para dejar que la zona quede despejada de gas antes de volver a encenderlo.

Apagado:

1. Gire todas las perillas de control en la dirección de las manecillas del reloj a la posición "OFF" (apagado).

2. Cierre el gas en la bombona de propano líquido.

Usar la Parrilla por Primera Vez

Antes de cocinar en la parrilla por primera vez, póngala en funcionamiento durante 15 minutos con la tapa cerrada y el regulador de gas en la posición "HIGH" (alto). De esta manera se limpiarán mediante el calor las piezas internas y se eliminará el olor del proceso de fabricación y la pintura de acabado.

Cocción Directa

1. Encienda los quemadores siguiendo la instrucciones de encendido.

2. Gradúe los quemadores al nivel deseado y permita que la unidad alcance su temperatura de operación.

3. Coloque el alimento directamente sobre los quemadores.

4. Con la tapa abierta o cerrada, deje cocer el alimento hasta que haya alcanzado la temperatura interna deseada.

Cocción Indirecta

Ideal para asados y porciones grandes de carne

1. Remueva la parrilla de cocción.

2. Coloque la bandeja de metal en el centro, sobre las placas de cocción.

3. Vuelva a colocar la parrilla de cocción.

4. Encienda los quemadores.

5. Apague el quemador del centro. Gradúe los quemadores de afuera al nivel deseado y deje que alcancen la temperatura de cocción.

6. Coloque el alimento en la parrilla de cocción directamente sobre la bandeja de metal.

7. Cierre la tapa y deje cocer el alimento hasta que alcance la temperatura interna deseada.

Sugerencias para Mejores Asados y Prolongación de la Vida Útil de la Unidad

1. Rocíe o cubra las superficies de cocción con aceite vegetal antes de usarlas, para evitar que el alimento se adhiera a ellas.

2. Ponga legumbres o alimentos delicados en envoltura de papel de aluminio.

3. Use un cepillo de calidad para parrilla después de haber usado la unidad, para mantener las superficies limpias y libres de oxidación.

4. Vacíe la bandeja de grasa después de haber usado la unidad.

PRECAUCIÓN: No cubra la parrilla hasta que no esté completamente fría al tacto.

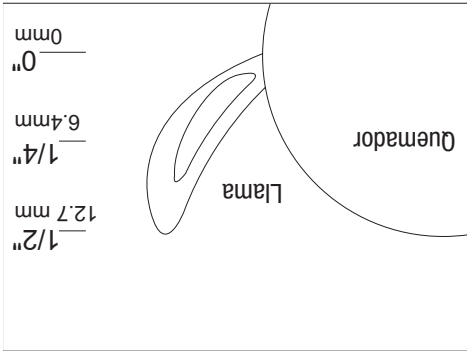
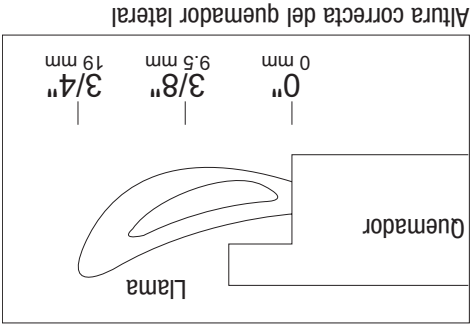
Operación del Quemador Lateral

NOTA: Se puede usar el quemador lateral si los quemadores principales y están encendidos. Nunca use el quemador lateral como parrilla.

Encendido

1. Abra la tapa. **!Si intenta encender el quemador con la tapa cerrada puede provocar una explosión!**

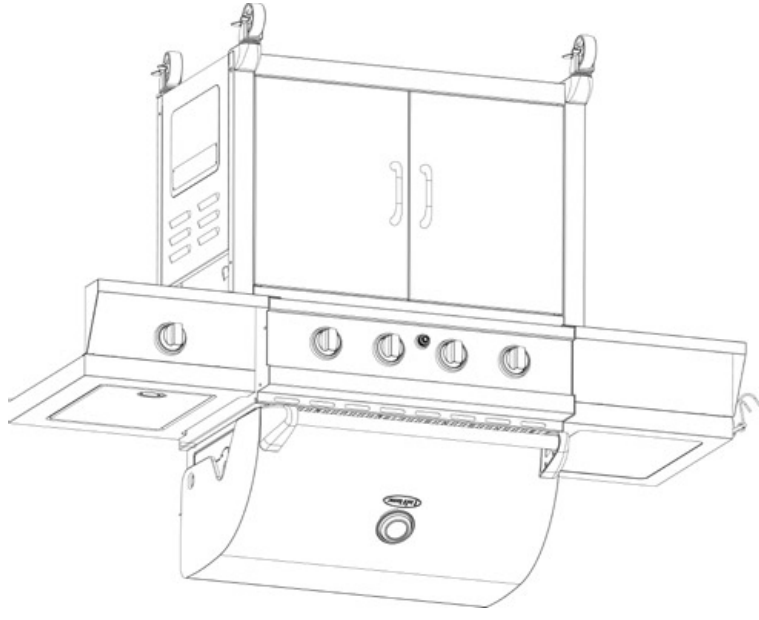
2. Asegúrese de que no hay nada que obstruya el flujo de aire en la unidad de gas. Arañas y otros insectos pueden formar sus nidos dentro y obstruir los orificios del quemador/tubo de venturi. **Un tubo de quemador obstruido puede provocar un incendio debajo del aparato.**



Paso 18

Terminado

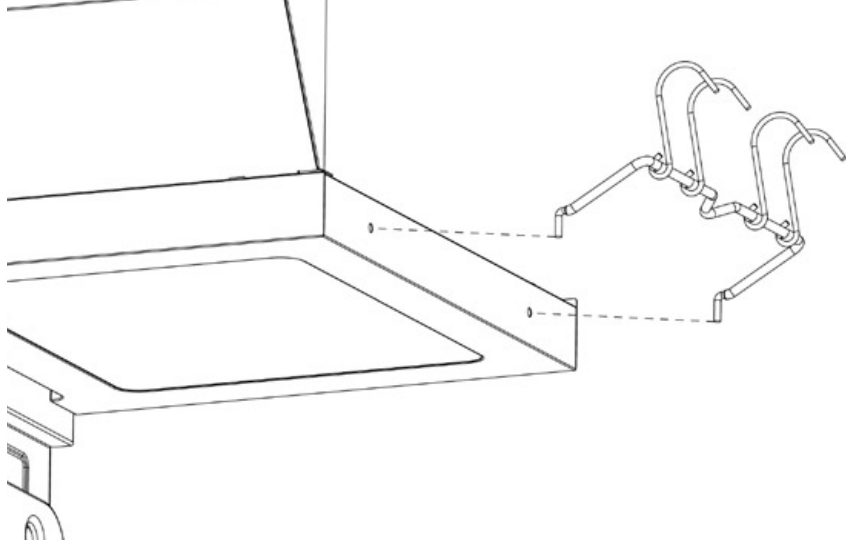
Felicitaciones, el armado ha terminado. Lea las instrucciones de operación antes de seguir adelante



Paso 14

Fije la barra de ganchos para utensilios

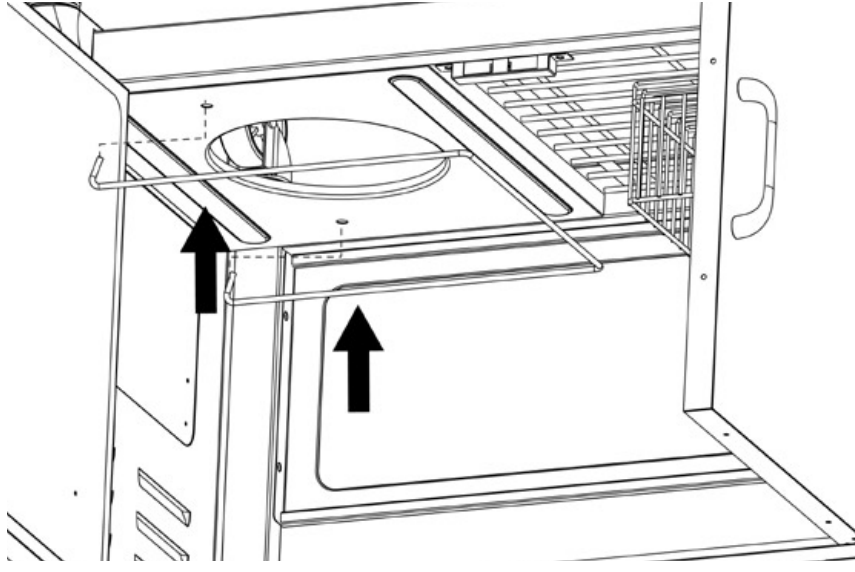
Inserte la barra de ganchos para utensilios en las perforaciones en el estante del lado izquierdo.



Paso 15

Instale el retenedor de alambre para la bomba de gas

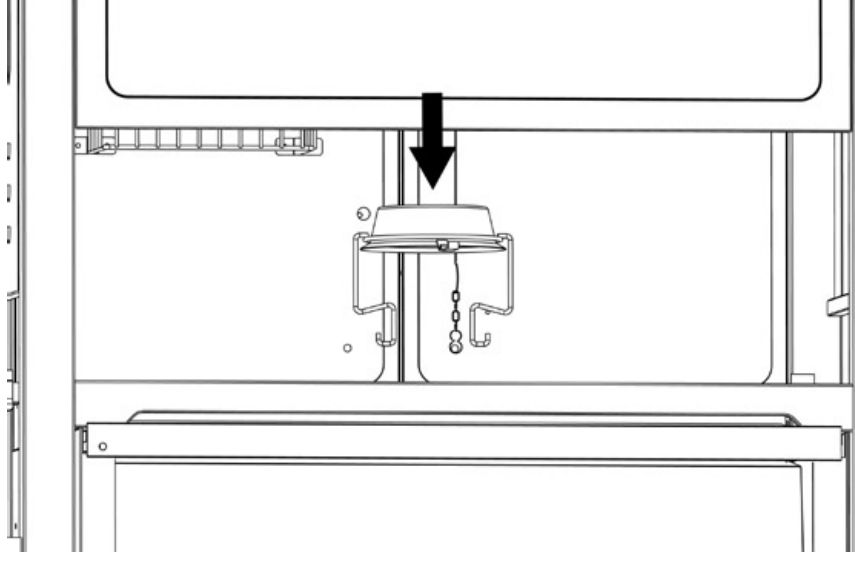
Inserte las patas del retenedor de alambre en la base del carro.



Paso 16

Instale la taza de la grasa

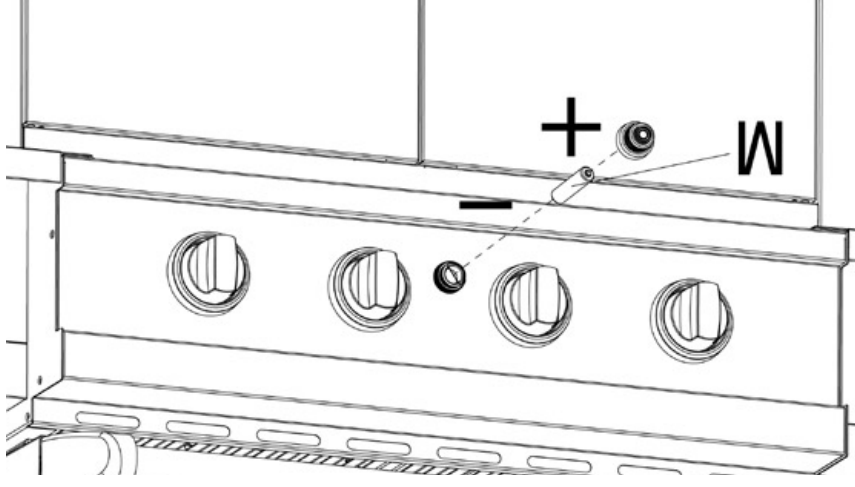
Cuelgue la taza de la grasa del fondo del cuerpo de la parrilla.



Paso 17

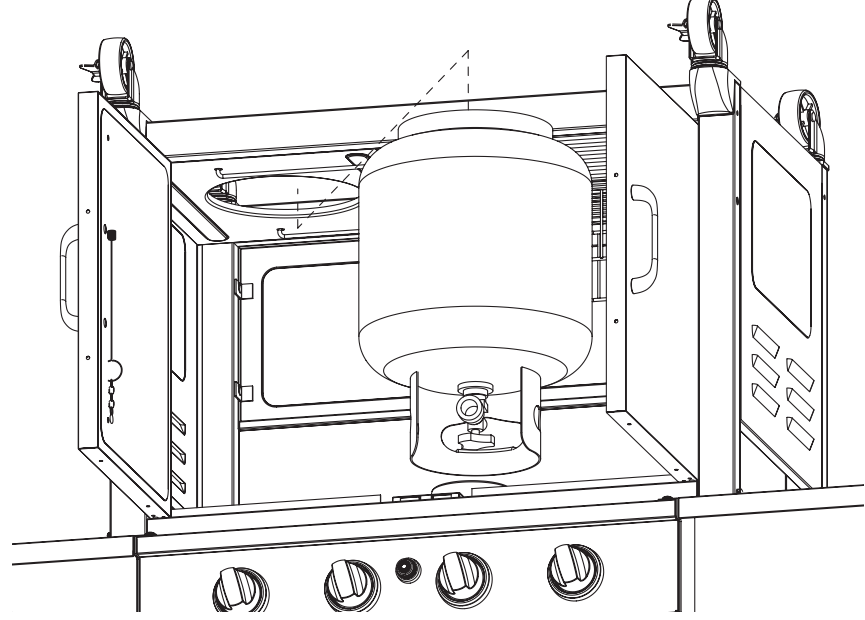
Inserte la pila

- A. Destornille el botón de encendido en el panel de control.
- B. Remueva la cubierta de protección de la pila AA.
- C. Inserte la batería con el extremo positivo (+) mirando hacia fuera.
- D. Vuelva a colocar el botón de encendido girándolo en la dirección de las manecillas de reloj.



Asegure la bomba de propano

Asegure la bomba de gas pasando el alambre retenedor de la bomba por sobre el hombro de la bomba de gas (LP).



Inserte la bomba de propano

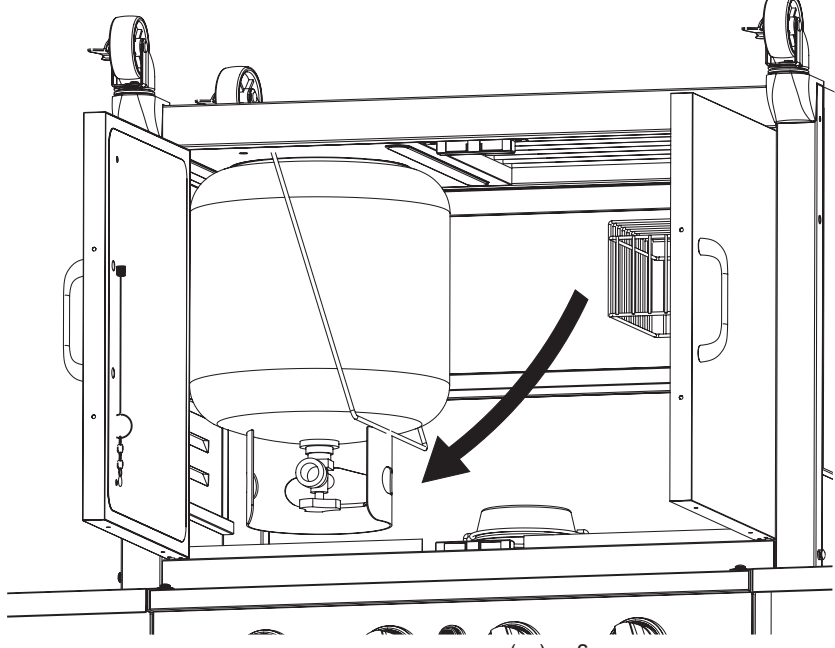
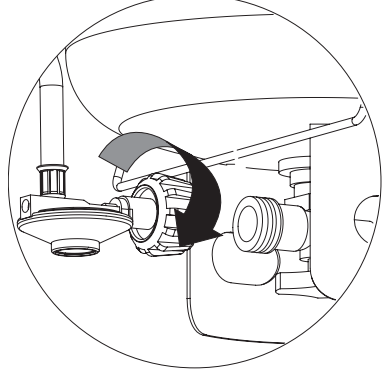
Coloque una bomba de gas (LP), llenada con precisión, en posición vertical en la abertura en el cuerpo de la parrilla de manera que quede colocada para extracción del gas.

Instalación de la bomba de propano (LP)

Para operar la unidad necesitará una bomba (de 20 libras) de gas propano licuado, llenada con precisión para parrilla estándar.

Conecte la bomba de propano

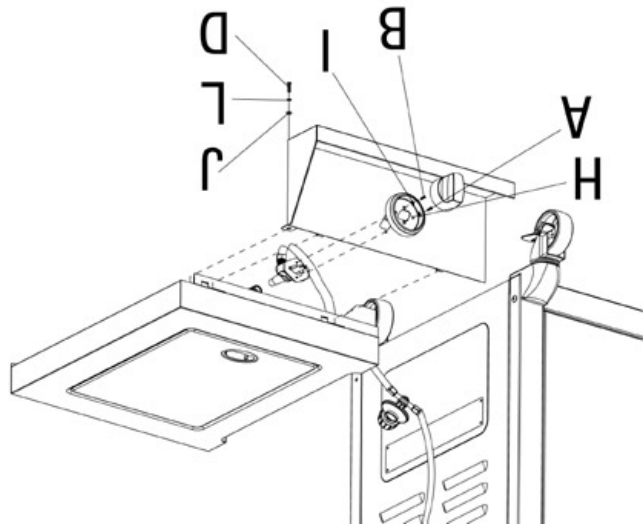
Antes de conectar la bomba, asegúrese de que tanto la cabeza de la misma como la del regulador y los orificios/puertos del quemador, están libres de cualquier suciedad.
Conecte la línea de gas a la bomba girando la perilla en la dirección de las manecillas de reloj hasta su límite.



Paso 7

Arme el estante del lado derecho

A. Instale el anillo de la perilla de control y la válvula de control en la repisa derecha para condimentos, usando un tornillo muy pequeño 1 (A), un tornillo muy pequeño 2 (B), arandela mediana (I) y una arandela pequeña (H).
 B. Inserte las lengüetas de la repisa derecha de condimentos en las ranuras del conjunto del quemador lateral y deslice la repisa hacia la izquierda.
 C. Inserte la boquilla de la válvula de control en el tubo venturi.
 D. Fije la canasta derecha para condimentos en el estante del lado derecho, usando un tornillo mediano (D), arandela de cierre (L) y arandela media (J).



NOTA: Vista desde atrás.

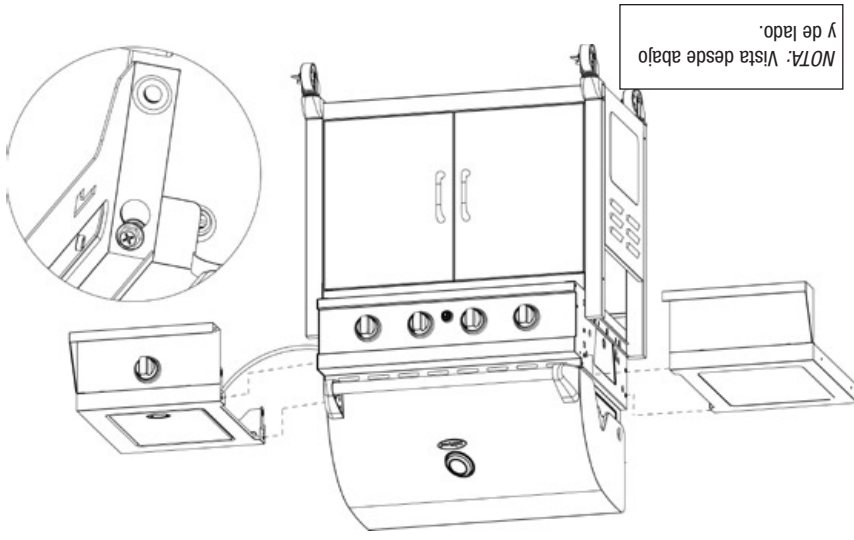
NOTA: Vista desde el lado derecho.

NOTA: Vista desde abajo y atrás.

Paso 8

Instale los estantes laterales

Inserte los estantes laterales derecho e izquierdo en los pernos en el cuerpo de la parrilla.

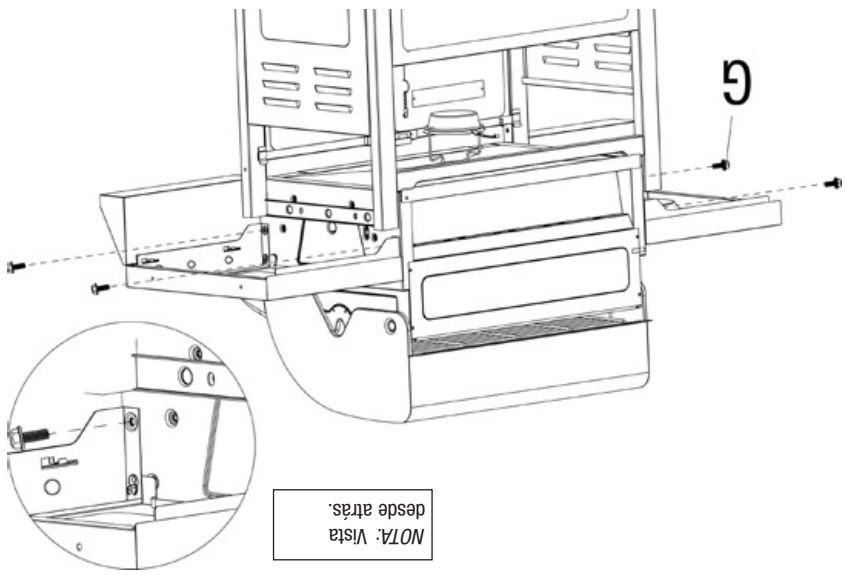


NOTA: Vista desde abajo y de lado.

Paso 9

Asegure los estantes laterales

A. Asegure los estantes laterales en el cuerpo de la parrilla usando 4 pernos (G).
 B. Apriete los pernos instalados en el Paso 5.

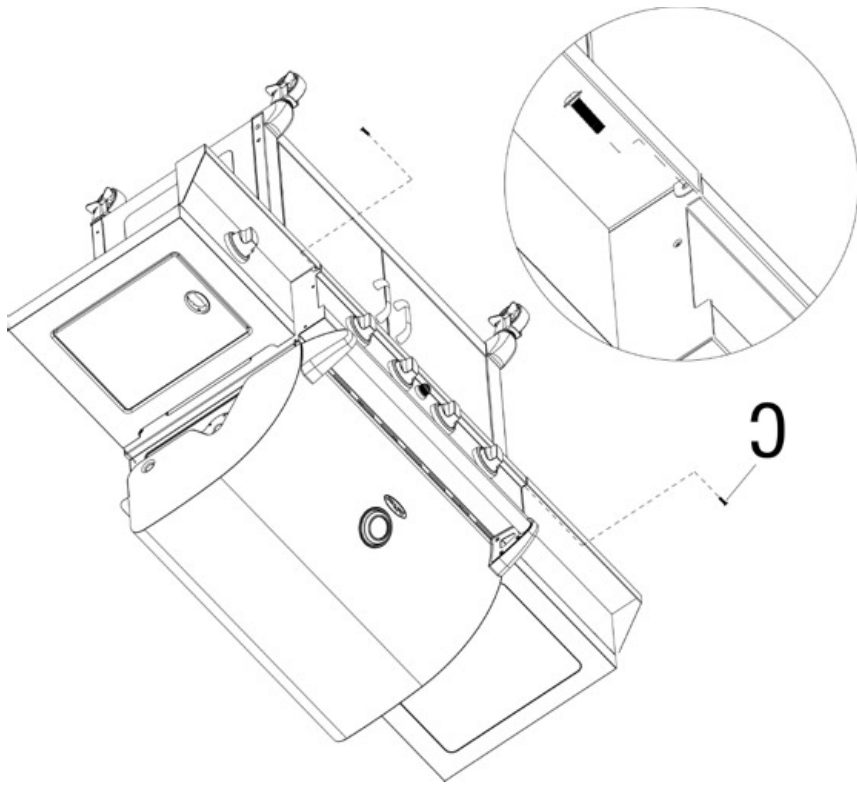


NOTA: Vista desde atrás.

Paso 10

Asegure los estantes laterales

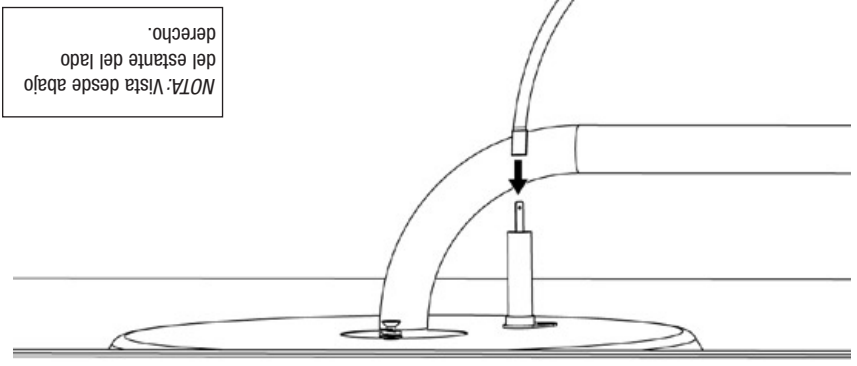
Asegure los estantes laterales en el cuerpo de la parrilla usando 2 tornillos pequeños (C).



Paso 11

Fije el cable de encendido del quemador lateral.

Fije el cable del quemador lateral desde el panel de control hasta el encendedor del quemador lateral.

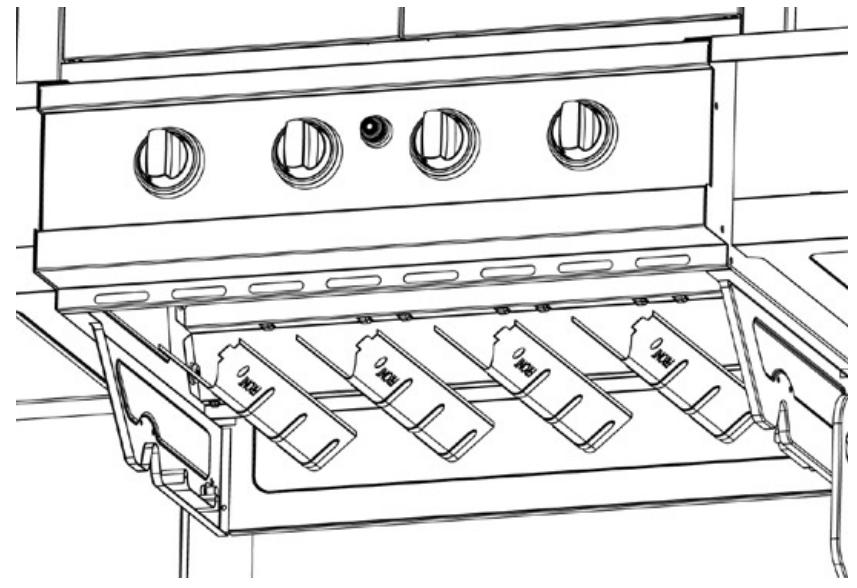


NOTA: Vista desde abajo del estante del lado derecho.

Paso 12

Inserte las placas de calor

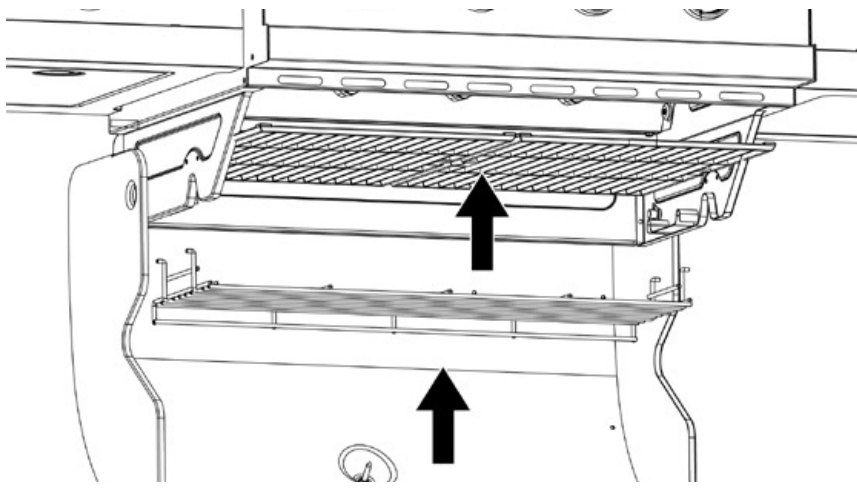
Coloque 4 placas de calor con lengüetas, encima de los quemadores.

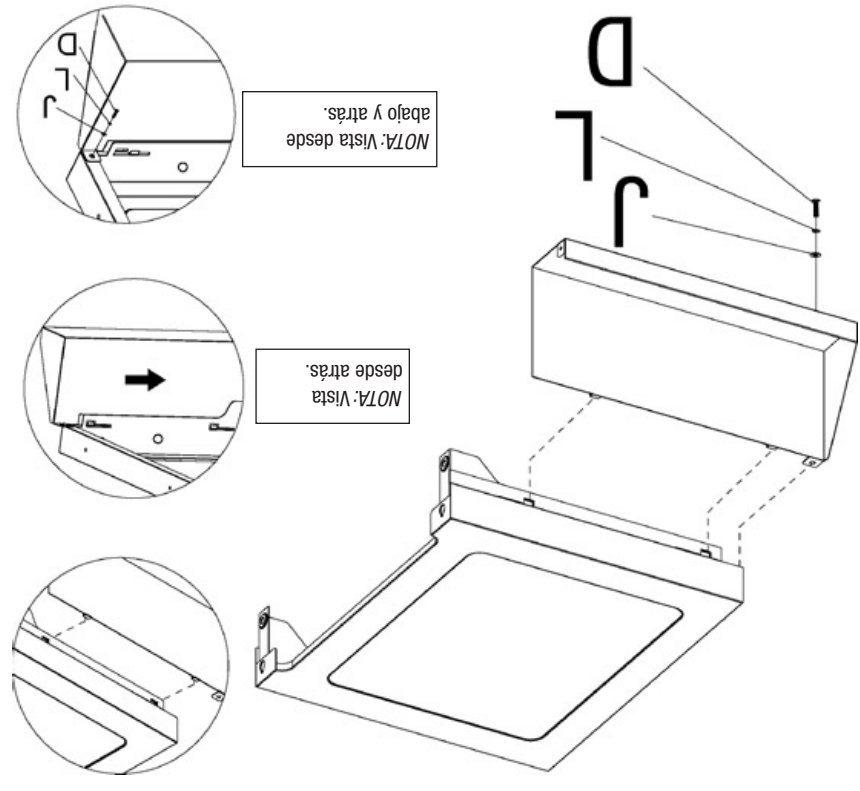


Paso 13

Inserte las parrillas de cocción y la rejilla de calentamiento

A. Inserte las parrillas de cocción.
 B. Coloque la rejilla de calentamiento con las patas hacia abajo en los costados del cuerpo de la parrilla.

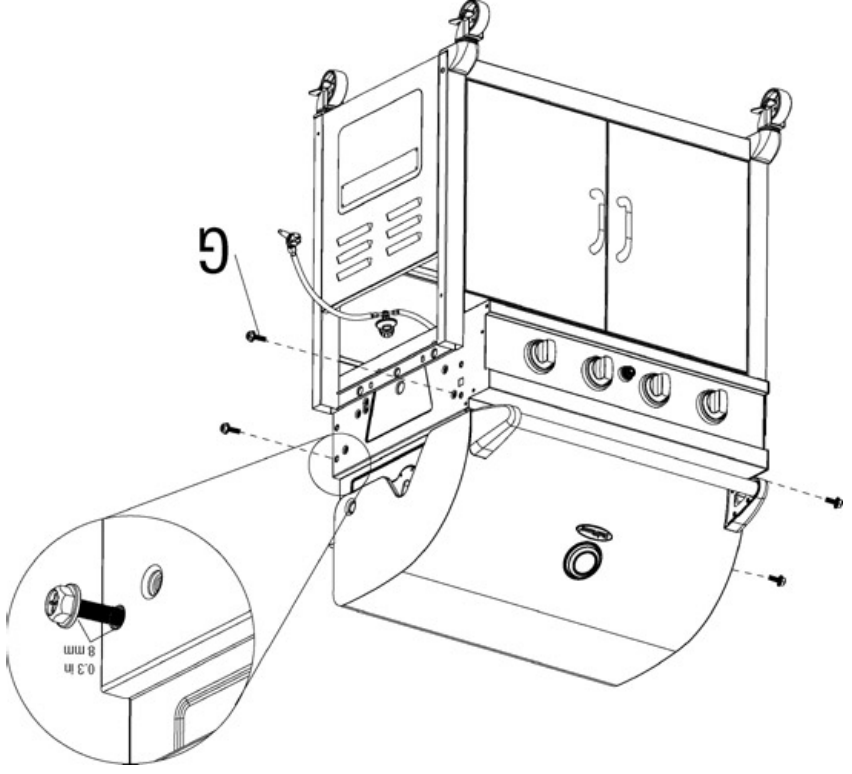




A. Inserte las lengüetas de la repisa izquierda para condimentos en las ranuras del estante del lado izquierdo y deslice la repisa hacia la derecha.

B. Fije las canastas izquierdas para condimentos al estante del lado izquierdo usando un tornillo mediano (D), arandela de cierre (L) y arandela grande (J).

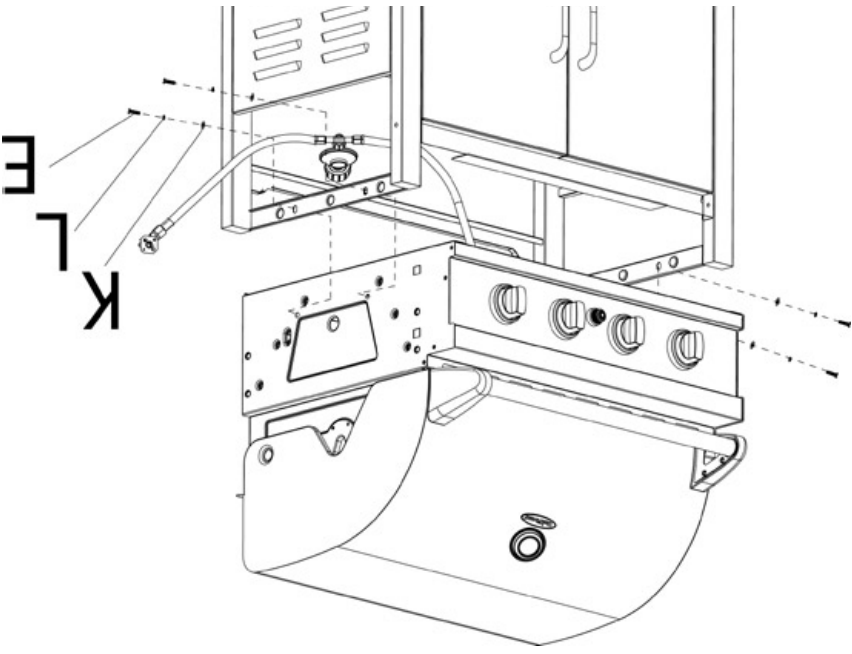
Paso 6 Arme el estante del lado izquierdo



Inserte 4 pernos (G) en los costados del cuerpo de la parrilla.

NOTA: Deje afuera 0.3" (8mm.) de las rosca de los pernos. No apriete completamente los pernos hasta el Paso 9.

Paso 5 Inserte los pernos



NOTA: Se requieren 2 personas para colocar el cuerpo de la parrilla en el carro.

A. Coloque el cuerpo de la parrilla sobre el carro.

B. Pase la manguera a través del lado derecho del carro.

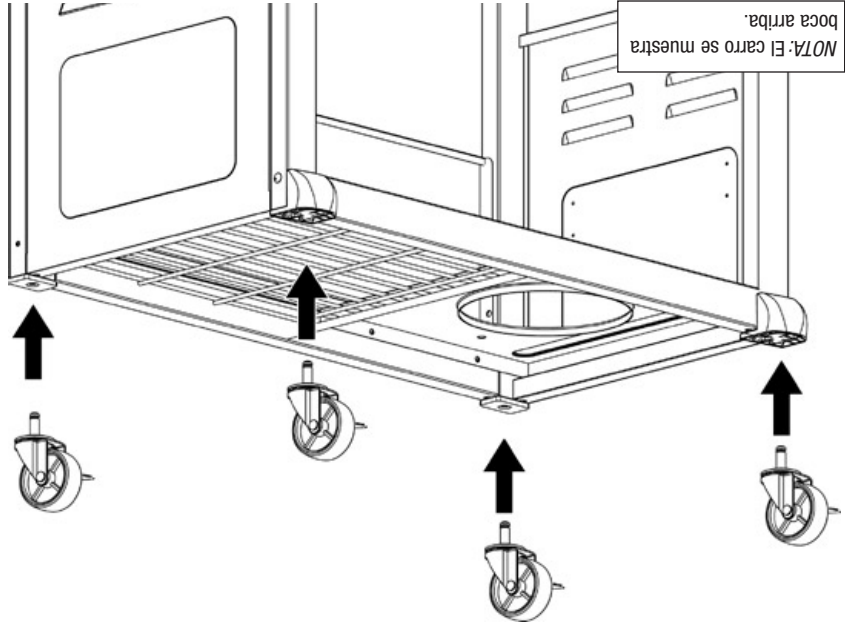
C. Asegure el cuerpo de la parrilla en el carro, usando 4 tornillos largos (E), 4 arandelas de cierre (L) y 4 arandelas extra grandes (K).

Paso 4 Asegure el cuerpo de la parrilla en el marco del carro

Paso 4

Paso 5

Paso 6



Inserte los 4 conjuntos de ruedas en las patas de la unidad.

Paso 1 Instale las ruedas en el carro

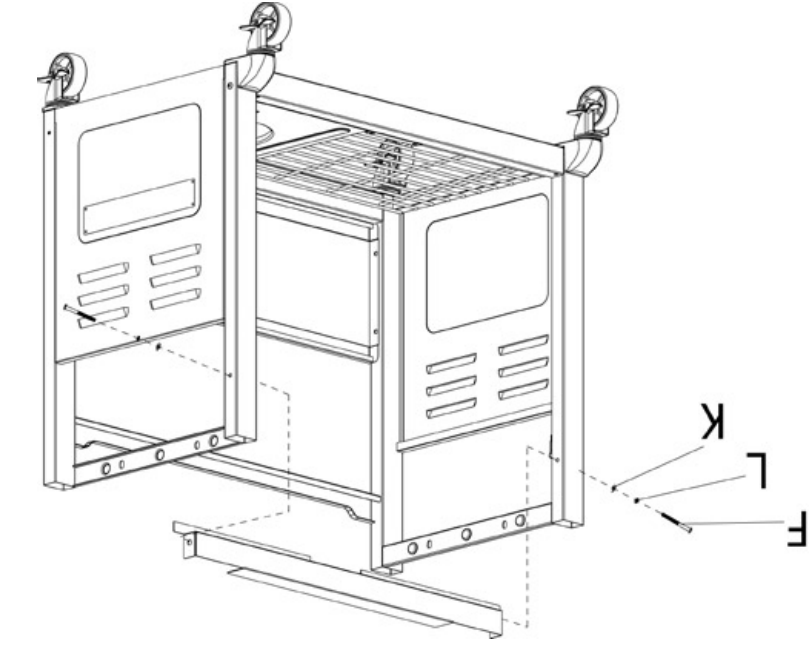
- Evite la pérdida de componentes pequeños o elementos de ferretería, armando el producto en un lugar de piso plano sin aberturas ni hendijas.
- Despeje un área suficientemente grande para disponer todos los componentes y los elementos de ferretería.
- Cuando sea del caso, apriete a mano, en un principio, las conexiones de ferretería. Una vez que ha terminado el paso, apriete completamente todos los elementos de ferretería.
- Siga todos los pasos en el orden indicado para armar debidamente esta unidad.

Para facilitar el armado:

Si necesita ayuda llame, sin cargo, al 1.800.762.1142. Por favor tenga a mano su manual y el número de serie de la unidad, para referencia.

Instrucciones de Armado

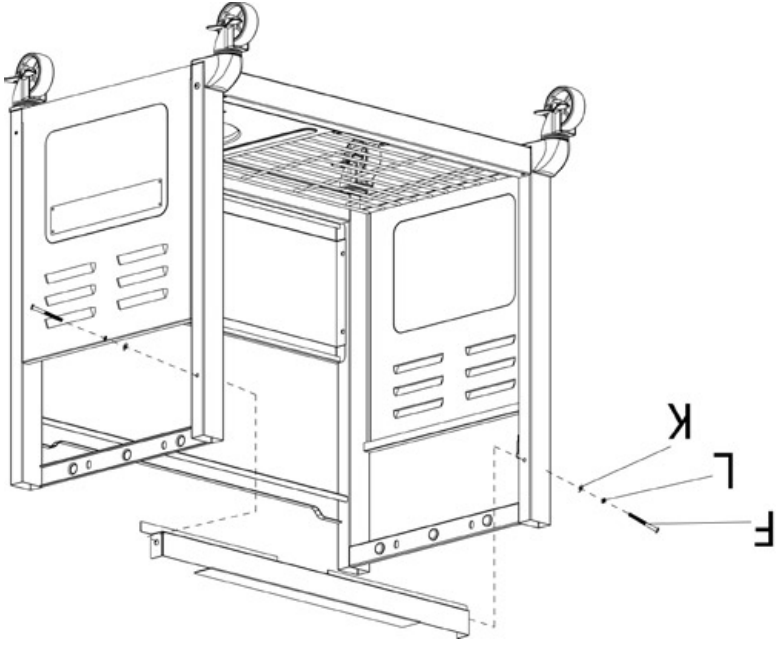
NO DEVUEVA EL PRODUCTO AL LUGAR DE COMPRA



A. Inserte las lengüetas de la barra de travesaño en las ranuras en el interior del marco del carro.

B. Fije la barra de travesaño al carro usando 2 tornillos extra largos (F), 2 arandelas de cierre (L) y 2 arandelas extra grandes (K).

Paso 2 Instale la barra de travesaño

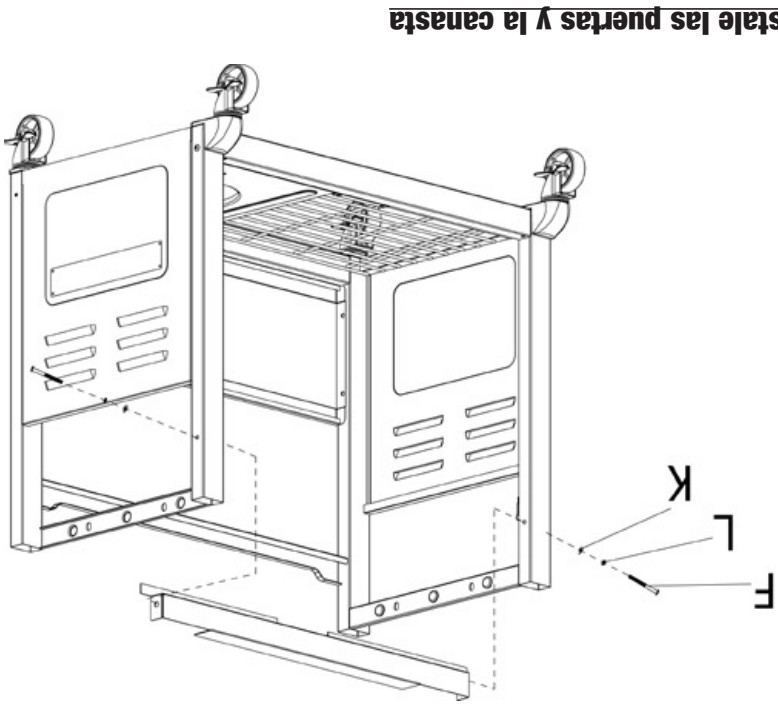


A. Inserte las lengüetas de la barra de travesaño en las ranuras en el hueco arriba del perno, en la barra de travesaño.

NOTA: Los pernos de resorte se encuentran en la parte de arriba de las puertas.

B. Cuelgue la canasta en la puerta izquierda.

Paso 3 Instale las puertas y la canasta



Paso 3



Parrilla de gas propano para exteriores, modelo n° NSG3902D

ADVERTENCIA

PARA SU SEGURIDAD:

Si huele a gas -

1. Cierre la entrada de gas al aparato.
2. Apague cualquier llama activa.
3. Abra la tapa.
4. Si el olor persiste, llame inmediatamente a su proveedor de gas o al departamento de bomberos.

1. No guarde las bombonas de gas propano líquido de repuesto en un radio inferior a 10 pies (3,05 metros) de este aparato.

2. No guarde o use gasolina u otros líquidos o vapores inflamables a menos de 25 pies (7,62 m) de esta unidad o de cualquier otro aparato.

3. Una bombona de propano líquido que no esté conectada para su uso no se debe almacenar cerca de éste o cualquier otro aparato.

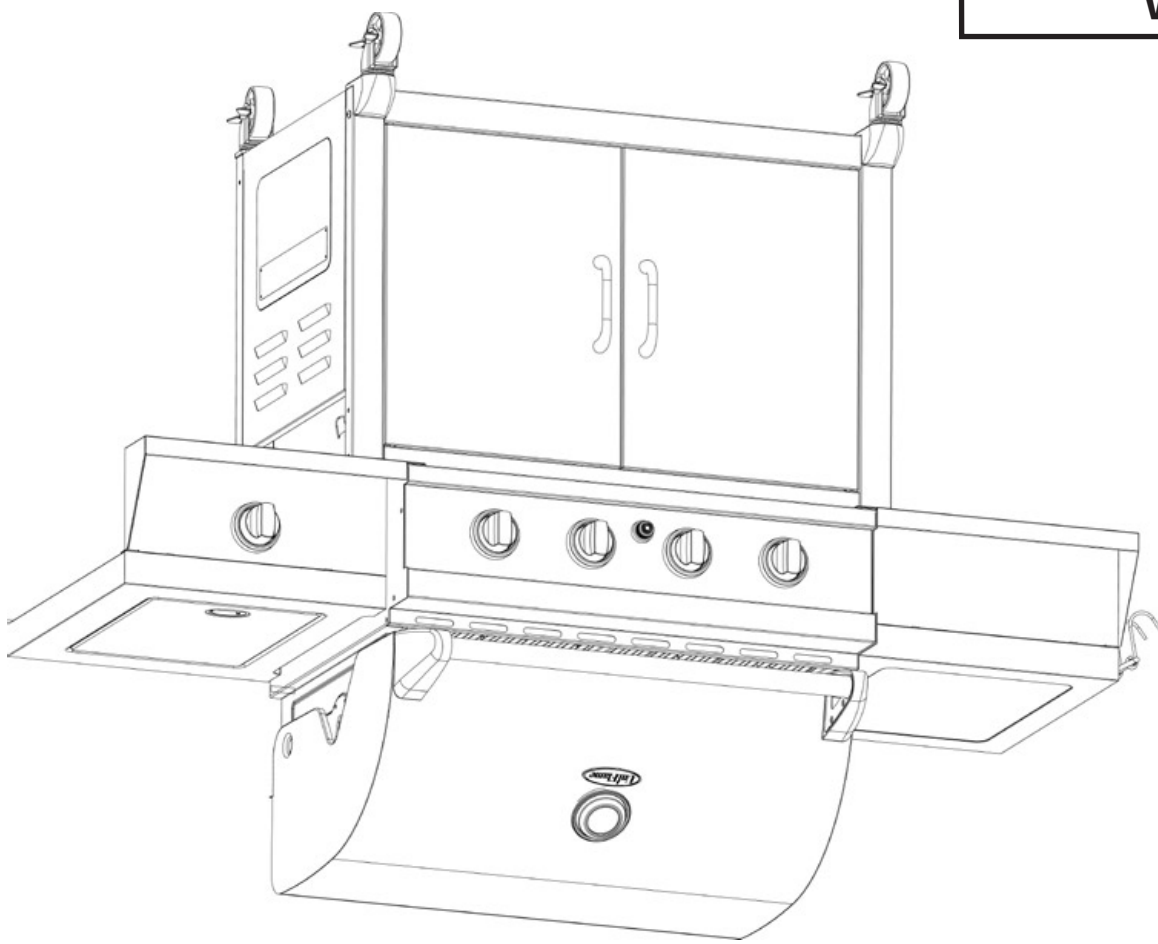
La Seguridad Primero PELIGROS y Precauciones

1. Esta parrilla es para ser usada al aire libre únicamente y no debe usarse en un edificio, garaje o cualquier otra área cerrada.
2. Esta parrilla de gas NO ha sido diseñada para uso comercial.
3. Esta parrilla utiliza únicamente gas de propano líquido como combustible. El convertir o tratar de convertir esta parrilla de gas propano líquido para ser usada con gas natural es peligroso e invalida la garantía de la unidad.
4. Características del propano líquido (PL):
 - a. El propano es inflamable y resulta peligroso si se manipula inadecuadamente. Antes de utilizar cualquier producto que emplee propano líquido, estudie detenidamente sus características.
 - b. El propano es un gas explosivo bajo presión, más denso que el aire y se asienta en pozos en zonas bajas.
 - c. En su estado natural, el propano no tiene ningún olor. Para su seguridad, se añade una esencia odorífera que huele a col podrida.
 - d. El contacto directo con el propano líquido puede causar quemaduras frías en la piel.
5. Se requiere una bombona de gas propano para hacer funcionar este aparato. Únicamente bombonas marcadas "Propano" pueden usarse en esta unidad.
6. La bombona o el tanque de gas de propano líquido (PL) debe estar fabricada y comercializada según las *Especificaciones para bombonas de gas PL* del Departamento de Transporte (DOT) de EE.UU. o del Estándar nacional de Canadá, *CAN/CSA-B339 sobre bombonas, esteras y tubos para el transporte de mercancías peligrosas; y la comisión*.
7. Verifique que la bombona de gas cuenta con mecanismo de extracción de vapor.
8. La bombona de gas propano líquido debe tener un dispositivo que evite el sobrellenado de la bombona (OPD).
9. Utilice únicamente bombonas y tanques de gas de 20 libras (9 kg) que tienen un dispositivo de conexión compatible con aparatos de cocción al aire libre.
10. No utilice nunca una bombona de propano líquido si el cuerpo no tiene collar para proteger la válvula.
11. No utilice nunca una bombona de propano líquido si el cuerpo, la válvula, el collar o el anillo inferior presentan algún daño.
12. Las bombonas de propano líquido abolladas u oxidadas pueden ser peligrosas y deberían ser revisadas por su proveedor de gas PL antes de utilizarlas.
13. No deje caer la bombona de gas propano líquido ni la maneje bruscamente.
14. Las bombonas deben almacenarse en exteriores, en un lugar al aire libre siempre fuera del alcance de los niños y nunca en un garaje, edificio o espacio cerrado. Nunca almacene bombonas, botellas o tanques de gas en un lugar en el que la temperatura supere los 125°F (51,5°C).
15. No ponga nunca una bombona de gas propano llena en un carro o camioneta calientes. El calor podría hacer que la presión del gas aumentase, lo que abriría la válvula de seguridad y haría que se escapase el gas.
16. No intente nunca acoplar esta parrilla al sistema de propano de una caravana, de una casa móvil o de su propia casa.
17. El uso de bebidas alcohólicas, medicamentos o drogas de farmacia puede afectar la habilidad del usuario para armar debidamente u operar en forma segura esta aparato.
18. No use nunca carbón de leña, líquido para encendedor, rocas de lava, gasolina, queroseno o alcohol con este aparato.
19. Todas las conexiones de gas de su parrilla han sido verificadas en fábrica en cuanto a fugas de gas. Sin embargo, pruebe la integridad de todas las conexiones ya que el movimiento en transporte puede aflojar algunas de ellas.
20. Verifique que no haya fugas aun si el aparato ha sido armado por otra persona.
21. No opere la unidad si hay una fuga de gas. Las fugas de gas pueden provocar un fuego o una explosión.
22. Antes de operar esta unidad, debe observar todos los procedimientos para verificar que no hay fugas de gas. Para evitar cualquier riesgo de fuego o de explosión al comprobar si hay fugas:

- a. Compruebe siempre si hay fugas antes de encender la parrilla, cada vez que la bombona de gas está conectada.
- b. No fume. No use o permita fuentes de ignición en el área al comprobar si hay fugas.
- c. Siempre compruebe si hay fugas en exteriores donde hay una buena ventilación.
- d. No use cerrillas o fósforos, encendedores o una llama para comprobar si hay fugas.
- e. No use la parrilla hasta que todas la fugas hayan sido reparadas. Si no puede parar una fuga, desconecte la bombona de propano. Llame a un técnico o a su proveedor de propano local.
23. No guarde o use gasolina u otros líquidos o vapores inflamables a menos de 25 pies (7,62 m) de esta unidad.
24. No utilice el equipo en una atmósfera explosiva. Mantenga la zona de la parrilla libre de materiales combustibles, gasolina y cualquier otro vapor o líquido inflamable.
25. Mantenga todo material y superficies combustibles a por lo menos 53 cm (21 pulg.) de la parrilla en todo momento. NO use esta parrilla debajo de aleros o cerca de construcciones combustibles que no estén debidamente protegidas.
26. Es fundamental mantener limpio el compartimiento de la válvula de la parrilla, los quemadores y los conductos de aire circulante. Inspeccione la parrilla antes de cada uso.
27. No altere la parrilla de ninguna forma.
28. No utilice la parrilla a menos que esté COMPLETAMENTE montada y que todas las piezas estén bien fijadas y apretadas.
29. Esta parrilla de gas debe limpiarse y verificarse completamente de manera regular. Limpie y revise la manguera antes de cada uso del aparato. Si detecta alguna señal de abrasión, desgaste, cortes o fugas, deberá sustituir la manguera antes poner en marcha el aparato.
30. Utilice únicamente el regulador y el conjunto de manguera incluido. El regulador de repuesto y el conjunto de manguera de repuesto serán los especificados por el fabricante.
31. Use únicamente piezas autorizadas de fábrica de Blue Rhino Global Sourcing, LLC. El uso de cualquier pieza no autorizada de fábrica puede ser peligroso. Su uso invalida su garantía. Llame al 1.800.762.1142
32. No encienda esta unidad sin haber leído las instrucciones de "Encendido" que se encuentran en este manual.
33. No toque las piezas de metal de la parrilla hasta que no se haya enfriado completamente (alrededor de 45 minutos) para evitar quemaduras, a menos que usted tenga puestos elementos de protección tales como guantes o almohadilla para las ollas, guantes de barbacoa, etc.
34. Cuando esté cocinado, tenga fácilmente accesibles los elementos para extinguir un incendio. En caso de que la sustancia de freír se incendie no trate de extinguir el fuego con agua. Use un extinguidor de material químico seco tipo BC o ahogue el fuego con tierra, arena o soda de hornear.
35. NO instalar o utilizar en embarcaciones o vehículos de recreo.
36. No utilice la parrilla si hace mucho viento.
37. Nunca se apoye sobre la parrilla cuando la está encendiendo.
38. No deje una parrilla encendida sin vigilancia, especialmente, mantenga los niños y las mascotas lejos de la parrilla en todo momento.
39. No intente mover la parrilla mientras esté encendida. Deje que la parrilla se enfríe antes de moverla o guardarla.
40. El almacenamiento del aparato en un espacio cerrado sólo está permitido si la bombona está desconectada, desmontada del aparato y guardada al aire libre.
41. Abra siempre la tapa de la parrilla en forma cuidadosa y lentamente, pues el calor y el vapor que hay dentro de la parrilla pueden ocasionarle severas quemaduras.
42. No trate de desconectar el regulador de gas de la bombona, o cualquier otro accesorio de la línea de gas, mientras esté usando la parrilla.
43. Coloque siempre la parrilla sobre una superficie firme y nivelada, alfada de productos combustibles. Una superficie de asfalto o de pavimento puede que no sea adecuada para este propósito.
44. Use precaución extrema cuando use la unidad en plataformas de madera.
45. Retire las mangueras de gas lo más lejos posible de las superficies calientes y de las zonas donde gotee grasa caliente.
46. Mantenga todos los cables eléctricos lejos de una parrilla caliente.
47. NO use la parrilla de gas para cocinar adentro o calentar el ambiente. Los gases TOXICOS de monóxido de carbono pueden acumularse y provocar la asfixia.
48. Después de un periodo de almacenamiento o de falta de uso de la unidad, verifique que no haya fugas u obstrucciones en el quemador e inspeccione la manguera para detectar zonas gastadas o cortes en ella.
49. El no abrir la tapa cuando se están encendiendo los quemadores de la parrilla, o el no esperar cinco minutos para permitir que el gas salga de la parrilla cuando el gas no se ha encendido, puede provocar una llamada explosiva.
50. Si la parrilla no se está usando, el gas debe cerrarse en la bombona de suministro.
51. Nunca opere la parrilla antes de haber instalado las placas de calentamiento.
52. Use siempre un termómetro para carne para asegurar que la comida ha quedado cocida a la temperatura apropiada.
53. Nunca guarde una bombona adicional de propano debajo o cerca de esta parrilla.
54. Nunca llene la bombona más allá de 80% de su capacidad.
55. El no seguir exactamente las instrucciones dadas arriba puede producir daños a la propiedad, lesiones serias y hasta fatales.

Parrilla de Gas Propano para Exteriores

Modelo n° NSG3902D



Indice

2	Salvaguardias importantes
3	Instrucciones de armado
5	Instalación de la bomba de propano (LP)
5	Inserte la bomba de propano
5	Asegure la bomba de propano
5	Conecte la bomba de propano
6	Instrucciones de operación
6	Comprobar si hay fugas
6	Operación de los quemadores principales
6	Operación del quemador lateral
7	Limpeza y cuidado
7	Registro del producto
7	Garantía limitada
8	Resolución de problemas
	Diagrama de explosión y elementos de ferretería
	Apéndice A

El uso e instalación de este producto ha de realizarse de acuerdo con los códigos locales. Si no existen códigos locales, use las normas siguientes: *Código Nacional para Gas y Combustibles, ANSI Z223.1/NFPA 54, CAN/CGA-B149.1, Código de Instalación de Propano y Gas Natural.*

Fabricado en China para:

Blue Rhino Global Sourcing, LLC

104 Cambridge Plaza Drive, Winston-Salem, NC 27104 EE.UU.

1.800.762.1142, www.bluerhino.com

© 2005 Blue Rhino Global Sourcing, LLC. Todos los derechos reservados.

UniFlame® es una marca registrada de Blue Rhino Global Sourcing, LLC. Todos los derechos reservados. NSG3902D-OM-102 ES



Conserve estas instrucciones para futuras consultas. Si está montando esta unidad para otra persona, entregue este manual para futuras consultas.

Proposición 65 de California:
La combustión del propano crea productos químicos considerados por el Estado de California como causantes de cáncer, malformaciones congénitas u otros daños reproductivos.

ADVERTENCIA
PARA SU SEGURIDAD:

1. Una instalación, ajuste, alteración, reparación o mantenimiento inadecuados puede causar lesiones o daños a la propiedad.
2. Lea atentamente las instrucciones de instalación, funcionamiento y mantenimiento del equipo antes de instalarlo, ponerlo en marcha o darle servicio.
3. El no seguir estas instrucciones puede ocasionar un incendio o una explosión, con sus consecuentes daños a la propiedad, lesiones personales y hasta accidentes fatales.

ADVERTENCIA
PARA SU SEGURIDAD:
Solamente Para Uso En Exteriores
(fuera de cualquier recinto)

Free Manuals Download Website

<http://myh66.com>

<http://usermanuals.us>

<http://www.somanuals.com>

<http://www.4manuals.cc>

<http://www.manual-lib.com>

<http://www.404manual.com>

<http://www.luxmanual.com>

<http://aubethermostatmanual.com>

Golf course search by state

<http://golfingnear.com>

Email search by domain

<http://emailbydomain.com>

Auto manuals search

<http://auto.somanuals.com>

TV manuals search

<http://tv.somanuals.com>