

# CHICAGO

## Electric<sup>®</sup> Power Tools

### WET/DRY VACUUM

13 GAL. CAPACITY

Model 97677

SET UP AND OPERATING INSTRUCTIONS



Visit our website at: <http://www.harborfreight.com>



**Read this material before using this product.  
Failure to do so can result in serious injury.  
SAVE THIS MANUAL.**

Copyright© 2008 by Harbor Freight Tools®. All rights reserved. No portion of this manual or any artwork contained herein may be reproduced in any shape or form without the express written consent of Harbor Freight Tools. Diagrams within this manual may not be drawn proportionally. Due to continuing improvements, actual product may differ slightly from the product described herein. Tools required for assembly and service may not be included.

**For technical questions or replacement parts, please call 1-800-444-3353.**

Revised Manual 10c

---

## SAVE THIS MANUAL

---

Keep this manual for the safety warnings and precautions, assembly, operating, inspection, maintenance and cleaning procedures. Write the product's serial number in the back of the manual near the assembly diagram (or month and year of purchase if product has no number). Keep this manual and the receipt in a safe and dry place for future reference.

---

## IMPORTANT SAFETY INFORMATION

---

In this manual, on the labeling, and all other information provided with this product:



This is the safety alert symbol. It is used to alert you to potential personal injury hazards. Obey all safety messages that follow this symbol to avoid possible injury or death.

### **DANGER**

**DANGER** indicates a hazardous situation which, if not avoided, will result in death or serious injury.

### **WARNING**

**WARNING** indicates a hazardous situation which, if not avoided, could result in death or serious injury.

### **CAUTION**

**CAUTION**, used with the safety alert symbol, indicates a hazardous situation which, if not avoided, could result in minor or moderate injury.

### **NOTICE**

**NOTICE** is used to address practices not related to personal injury.

### **CAUTION**

**CAUTION**, without the safety alert symbol, is used to address practices not related to personal injury.

---

### General Safety Rules



**WARNING!** Read all instructions. Failure to follow all instructions listed below may result in electric shock, fire, and/or serious injury. The term "power tool" in all of the warnings listed below refers to your Wet/Dry Vacuum.

### SAVE THESE INSTRUCTIONS

1. **Work area safety**
  - a. Keep work area clean and well lit. *Cluttered or dark areas invite accidents.*
  - b. Do not operate power tools in explosive atmospheres, such as in the presence of flammable liquids, gases or dust. *Power tools create sparks which may ignite the dust or fumes.*
  - c. Keep children and bystanders away while operating a power tool. *Distractions can cause you to lose control.*
2. **Electrical safety**
  - a. Power tool plugs must match the outlet. Never modify the plug in any way. Do not use any adapter plugs with grounded power tools. *Unmodified plugs and matching*

*outlets will reduce risk of electric shock.*

- b. Avoid body contact with grounded surfaces such as pipes, radiators, ranges and refrigerators. *There is an increased risk of electric shock if your body is grounded.*
- c. Do not expose power tools to rain or wet conditions. *Water entering a power tool will increase the risk of electric shock.*
- d. Do not abuse the cord. Never use the cord for carrying, pulling or unplugging the power tool. Keep cord away from heat, oil, sharp edges or moving parts. *Damaged or entangled cords increase the risk of electric shock.*
- e. When operating a power tool outdoors, use an extension cord suitable for outdoor use. *Use of a cord suitable for outdoor use reduces the risk of electric shock.*

### 3. **Personal safety**

- a. Stay alert, watch what you are doing and use common sense when operating a power tool. Do not use a power tool while you are tired or under the influence of drugs, alcohol or medication. *A moment of inattention while operating power tools may result in serious personal injury.*
- b. Use safety equipment. Always wear ANSI-approved eye protection. *Safety equipment such as dust mask, non-skid safety shoes, hard hat, or hearing protection used for appropriate conditions will reduce personal injuries.*
- c. Avoid accidental starting. Ensure the switch is in the off-position

*before plugging in. Carrying power tools with your finger on the switch or plugging in power tools that have the switch on invites accidents.*

- d. Do not overreach. Keep proper footing and balance at all times. *This enables better control of the power tool in unexpected situations.*
  - e. Dress properly. Do not wear loose clothing or jewelry. Keep your hair, clothing and gloves away from moving parts. *Loose clothes, jewelry or long hair can be caught in moving parts.*
- ### 4. **Power tool use and care**
- a. Do not force the power tool. Use the correct power tool for your application. *The correct power tool will do the job better and safer at the rate for which it was designed.*
  - b. Do not use the power tool if the switch does not turn it on and off. *Any power tool that cannot be controlled with the switch is dangerous and must be repaired.*
  - c. Disconnect the plug from the power tool before making any adjustments, changing accessories, or storing power tools. *Such preventive safety measures reduce the risk of starting the power tool accidentally.*
  - d. Store idle power tools out of the reach of children and do not allow persons unfamiliar with the power tool or these instructions to operate the power tool. *Power tools are dangerous in the hands of untrained users.*
  - e. Maintain power tools. Check for misalignment or binding of moving parts, breakage of parts and any other condition that may affect the

power tool's operation. If damaged, have the power tool repaired before use. *Many accidents are caused by poorly maintained power tools.*

- f. Use the power tool and its accessories in accordance with these instructions and in the manner intended for this particular type of power tool, taking into account the working conditions and the work to be performed. *Use of this power tool for operations different from those intended could result in a hazardous situation.*

## 5. Service

- a. Have your power tool serviced by a qualified repair person using only identical replacement parts. *This will ensure that the safety of the power tool is maintained.*

### **Specific Safety Rules**

1. Maintain labels and nameplates on the Wet/Dry Vacuum. These carry important safety information. If unreadable or missing, contact Harbor Freight Tools for a replacement.
2. Do not remove the Grounding Chain (44) from this product.
3. Connect the Wet/Dry Vacuum to a GFCI outlet and remove the paper filter before wet pick-up operation.
4. Discontinue use and empty Cannister if Motor becomes labored.
5. Do not pull the Wet/Dry Vacuum by its Hose.
6. Store indoors. For household use only.
7. Do not leave the Wet/Dry Vacuum unattended when it is plugged into an electrical outlet. Turn off the tool, and unplug it from its electrical outlet before leaving.
8. This Wet/Dry Vacuum is designed for vacuuming only non-harmful substances and non-flammable liquids. Do not use the Vacuum for flammable or explosive liquids or hot and flammable dust.
9. Prior to emptying liquid from the Wet/Dry Vacuum, make sure to turn off its Power Switch and unplug the tool from its electrical outlet.
10. Keep the Nozzles and Filters clean and in proper working condition to ensure the Wet/Dry Vacuum operates better and more safely.
11. This product is not a toy. Keep it out of reach of children.
12. People with pacemakers should consult their physician(s) before use. Electromagnetic fields in close proximity to heart pacemaker could cause pacemaker interference or pacemaker failure. In addition, people with pacemakers should:
  - Avoid operating alone.
  - Do not use with power switch locked on.
  - Properly maintain and inspect to avoid electrical shock.
  - Any power cord must be properly grounded. Ground Fault Circuit Interrupter (GFCI) should also be implemented – it prevents sustained electrical shock.
13. Some dust created by vacuuming, power sanding, sawing, grinding, drilling, and other construction

activities, contains chemicals known [to the State of California] to cause cancer, birth defects or other reproductive harm. Some examples of these chemicals are:

- Lead from lead-based paints
- Crystalline silica from bricks and cement or other masonry products
- Arsenic and chromium from chemically treated lumber

Your risk from these exposures varies, depending on how often you do this type of work. To reduce your exposure to these chemicals: work in a well ventilated area, and work with approved safety equipment, such as those dust masks that are specially designed to filter out microscopic particles. (California Health & Safety Code § 25249.5, *et seq.*)

14. The warnings, precautions, and instructions discussed in this instruction manual cannot cover all possible conditions and situations that may occur. It must be understood by the operator that common sense and caution are factors which cannot be built into this product, but must be supplied by the operator.

 **SAVE THESE INSTRUCTIONS.**

---

## GROUNDING

---

### **WARNING TO PREVENT ELECTRIC SHOCK**

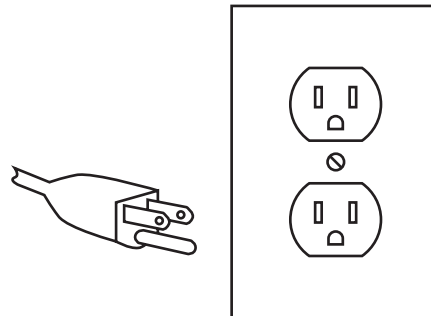


#### **AND DEATH FROM INCORRECT GROUNDING WIRE CONNECTION:**

**Check with a qualified electrician if you are in doubt as to whether the outlet is properly grounded. Do not modify the power cord plug provided with the tool. Never remove the grounding prong from the plug. Do not use the tool if the power cord or plug is damaged. If damaged, have it repaired by a service facility before use. If the plug will not fit the outlet, have a proper outlet installed by a qualified electrician.**

---

### **Grounded Tools: Tools with Three Prong Plugs**



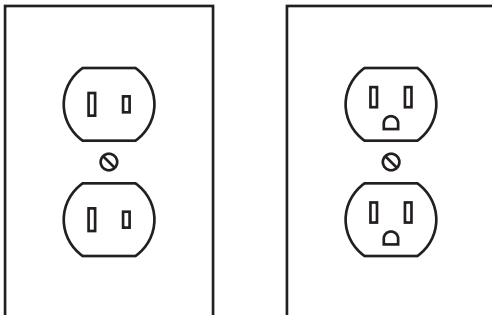
#### **3-Prong Plug and Outlet**

1. Tools marked with “Grounding Required” have a three wire cord and three prong grounding plug. The plug must be connected to a properly grounded outlet. If the tool should electrically malfunction or break down, grounding provides a low resistance path to carry electricity away from the user, reducing the risk

of electric shock. (See **3-Prong Plug and Outlet.**)

2. The grounding prong in the plug is connected through the green wire inside the cord to the grounding system in the tool. The green wire in the cord must be the only wire connected to the tool's grounding system and must never be attached to an electrically "live" terminal. (See **3-Prong Plug and Outlet.**)
3. The tool must be plugged into an appropriate outlet, properly installed and grounded in accordance with all codes and ordinances. The plug and outlet should look like those in the preceding illustration. (See **3-Prong Plug and Outlet.**)

### **Double Insulated Tools: Tools with Two Prong Plugs**



**Outlets for 2-Prong Plug**

1. Tools marked "Double Insulated" do not require grounding. They have a special double insulation system which satisfies OSHA requirements and complies with the applicable standards of Underwriters Laboratories, Inc., the Canadian Standard Association, and the National Electrical Code. (See **Outlets for 2-Prong Plug.**)
2. Double insulated tools may be used in either of the 120 volt outlets shown

in the preceding illustration. (See **Outlets for 2-Prong Plug.**)

### **Extension Cords**






1. **Grounded** tools require a three wire extension cord. **Double Insulated** tools can use either a two or three wire extension cord.
2. As the distance from the supply outlet increases, you must use a heavier gauge extension cord. Using extension cords with inadequately sized wire causes a serious drop in voltage, resulting in loss of power and possible tool damage. (See **Table A, next page.**)
3. The smaller the gauge number of the wire, the greater the capacity of the cord. For example, a 14 gauge cord can carry a higher current than a 16 gauge cord. (See **Table A.**)
4. When using more than one extension cord to make up the total length, make sure each cord contains at least the minimum wire size required. (See **Table A.**)
5. If you are using one extension cord for more than one tool, add the nameplate amperes and use the sum to determine the required minimum cord size. (See **Table A.**)
6. If you are using an extension cord outdoors, make sure it is marked with the suffix "W-A" ("W" in Canada) to indicate it is acceptable for outdoor use.
7. Make sure the extension cord is properly wired and in good electrical condition. Always replace a damaged extension cord or have it repaired by a qualified electrician before using it.

8. Protect the extension cords from sharp objects, excessive heat, and damp or wet areas.

<b>RECOMMENDED MINIMUM WIRE GAUGE FOR EXTENSION CORDS* (120/240 VOLT)</b>					
<b>NAMEPLATE AMPERES (at full load)</b>	<b>EXTENSION CORD LENGTH</b>				
	<b>25'</b>	<b>50'</b>	<b>75'</b>	<b>100'</b>	<b>150'</b>
0 – 2.0	18	18	18	18	16
2.1 – 3.4	18	18	18	16	14
3.5 – 5.0	18	18	16	14	12
5.1 – 7.0	18	16	14	12	12
7.1 – 12.0	18	14	12	10	-
12.1 – 16.0	14	12	10	-	-
16.1 – 20.0	12	10	-	-	-

**TABLE A** \* Based on limiting the line voltage drop to five volts at 150% of the rated amperes.

## Symbology

	Double Insulated
	Canadian Standards Association
	Underwriters Laboratories, Inc.
	Volts Alternating Current
	Amperes
$n_0$ xxxx/min.	No Load Revolutions per Minute (RPM)

## SPECIFICATIONS

Electrical Requirements	120 V~ / 60 Hz 1200 Watts 10 Amp Motor Power Switch Type: ON/OFF Power Plug: 3 Prong, Grounded
Tank Capacity	13 Gallons
Features	Stainless Steel Tank / Safety Float / Built-In Storage for Power Cord & Accessories
Accessories	Filter Cartridge / Foam Filter / Dust Bag / Telescopic Suction Tube / Wet & Dry Brush / Crevice Nozzle / Furniture Brush

## UNPACKING

When unpacking, check to make sure that the item is intact and undamaged. If any parts are missing or broken, please call Harbor Freight Tools at the number shown on the cover of this manual as soon as possible.

## OPERATING INSTRUCTIONS



Read the **ENTIRE IMPORTANT SAFETY INFORMATION** section at the beginning of this manual including all text under subheadings therein before set up or use of this product.

### **WARNING**

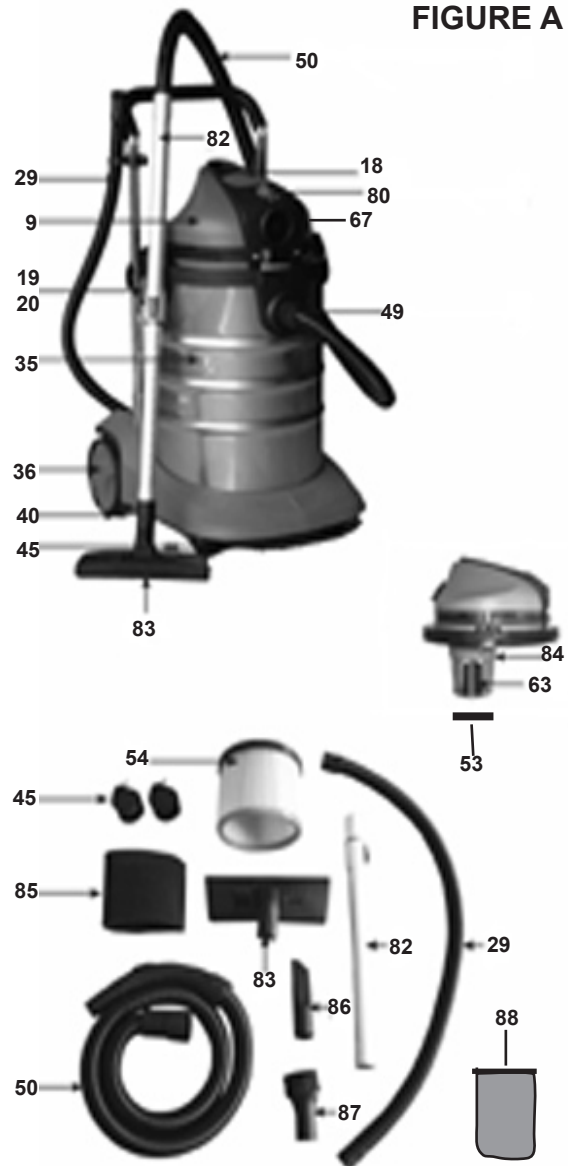
### **TO PREVENT SERIOUS**

### **INJURY FROM ACCIDENTAL OPERATION:**

Turn the Power Switch of the Wet/Dry Vacuum to its "OFF" position and unplug the tool from its electrical outlet before assembling or making any adjustments to the tool.

## Product Features

1. **See Figure A.**
  - a. **Suction Hose (50).**
  - b. **Telescopic Suction Tube (82).**
  - c. **Drain Hose (29).**
  - d. **Upper Handle (18).**
  - e. **Switch Knob (80).**
  - f. **Upper Cover (9).**
  - g. **Handle Pipe (19)**
  - h. **Lower Handle (20).**
  - i. **Intake Port (49).**
  - j. **Tank (35).**
  - k. **Wheel Cover (36).**
  - l. **Wheel (40).**
  - m. **Caster (45).**
  - n. **Wet & Dry Brush (83).**
  - o. **Filter Cage (84).**
  - p. **Safety Float (63).**
  - q. **Cartridge Filter (54).**
  - r. **Foam Filter (85).**
  - s. **Crevice Nozzle (86).**
  - t. **Furniture Brush (87).**
  - u. **Filter Cover (53).**
  - v. **Air Flow Adjusting Knob (67).**
  - w. **Dust Bag (88).**



**NOTE:**

For additional information on the Product Features listed above, refer to the **Assembly Diagram** near the end of this manual.



## General Operation Instructions

### Dry Vacuuming:

1. Unlock the Right Latch (34) and Left Latch (59). Then remove the Upper Cover (9).  
**(See Figure A, and Assy. Diagram.)**
2. If using the Cartridge Filter (54), remove the Filter Cover (53). Place the Cartridge Filter over the Filter Cage (84). Then replace the Filter Cover. **(See Figure A.)**
3. If using the Dust Bag (88), place the Dust Bag over the Filter Cage (84).  
**(See Figure A.)**
4. Replace the Upper Cover (9), and lock the Right Latch (34) and Left Latch (59).  
**(See Figure A, and Assy. Diagram.)**
5. Attach the Suction Hose (50) to the Intake Port (49). **(See Figure A.)**
6. Extend the Telescopic Suction Tube (82), and attach it to the end of the Suction Hose (50). **(See Figure A.)**
7. Attach either the accessory Wet & Dry Brush (83), Crevice Nozzle (86), or Furniture Brush (87) to the end of the Telescopic Suction Tube (82).  
**(See Figure A.)**
8. Plug the Power Cord (11) into the nearest 120 volt, grounded, electrical outlet.
9. Turn the Power Switch Knob (80) to its “ON” position to start the Wet/Dry Vacuum. **(See Figure A.)**
10. Adjust the air flow rate of the Vacuum by sliding the Air Flow Adjusting Knob (67) to the left or right.  
**(See Figure A.)**
11. Guide the accessory Wet & Dry Brush (83), Crevice Nozzle (86), (Furniture Brush (87) with slight pressure, slowly and evenly, over the dirt and debris. **(See Figure A.)**
12. When finished vacuuming, turn the Switch Knob (80) to its “OFF” position. Then unplug the Wet/Dry Vacuum from its electrical outlet.  
**(See Figure A.)**
13. Unlock the Right Latch (34) and Left Latch (59). Then remove the Upper Cover (9).  
**(See Figure A, and Assy. Diagram.)**
14. If using the Cartridge Filter (54), remove the Filter Cover (53). Remove the Cartridge Filter from the Filter Cage (84). Then replace the Filter Cover. If necessary, the Cartridge Filter may be cleaned with running water. **(See Figure A.)**
15. If using the Dust Bag (88), remove the Dust Bag from the Filter Cage (84). If necessary, the Dust Bag may be emptied and cleaned with running water. **(See Figure A.)**
16. Replace the Upper Cover (9), and lock the Right Latch (34) and Left Latch (59).  
**(See Figure A, and Assy. Diagram.)**
17. Keep the accessories in the Vacuum’s built-in storage receptacles, and store the unit in a clean, dry, safe location out of reach of children and other unauthorized people.

### **Wet Vacuuming:**

1. Unlock the Right Latch (34) and Left Latch (59). Then remove the Upper Cover (9).  
**(See Figure A, and Assy. Diagram.)**
2. Snap the Foam Filter (85) over the Filter Cage (84). **NOTE:** The Foam Filter must be flush with the underside of the Upper Cover (9).  
**(See Figure A.)**
3. Replace the Upper Cover (9), and lock the Right Latch (34) and Left Latch (59).  
**(See Figure A, and Assy. Diagram.)**
4. Attach the Suction Hose (50) to the Intake Port (49). **(See Figure A.)**
5. Extend the Telescopic Suction Tube (82), and attach it to the end of the Suction Hose (50). **(See Figure A.)**
6. Attach either the accessory Wet & Dry Brush (83), Crevice Nozzle (86), or Furniture Brush (87) to the end of the Telescopic Suction Tube (82).  
**(See Figure A.)**
7. Plug the Power Cord (11) into the nearest 120 volt, grounded, electrical outlet.
8. Turn the Switch Knob (80) to its “**ON**” position to start the Wet/Dry Vacuum. **(See Figure A.)**
9. Adjust the air flow rate of the Vacuum by sliding the Air Flow Adjusting Knob (67) to the left or right.  
**(See Figure A.)**
10. Guide the accessory Wet & Dry Brush (83), Crevice Nozzle (86), Furniture Brush (87) with slight pressure, slowly and evenly, over the dirty water. **(See Figure A.)**
11. **IMPORTANT:** The Wet/Dry Vacuum features Safety Float (63) which will automatically stops the vacuuming when the Tank (35) is full (as indicated when the Motor speed increases). If this happens, turn off the Switch Knob (80) and unplug the unit from its electrical outlet. Then position the Vacuum near a drain, and drain the dirty water using the Drain Hose (29). **(See Figure A.)**
12. When finished vacuuming, turn the Switch Knob (80) to its “**OFF**” position. Then unplug the Wet/Dry Vacuum from its electrical outlet.  
**(See Figure A.)**
13. Position the Vacuum near a drain, and drain the dirty water using the Drain Hose (29). **(See Figure A.)**
14. Unlock the Right Latch (34) and Left Latch (59). Then remove the Upper Cover (9).  
**(See Figure A, and Assy. Diagram.)**
15. Remove the Foam Filter (85) from the Filter Cage (84). If necessary, the Foam Filter may be cleaned with running water. Then clean and dry the Tank (35) inside and out.  
**(See Figure A.)**
16. Replace the Upper Cover (9), and lock the Right Latch (34) and Left Latch (59).  
**(See Figure A, and Assy. Diagram.)**
17. Keep the accessories in the Vacuum’s built-in storage receptacles, and store the unit in a clean, dry, safe location out of reach of children and other unauthorized people.

---

## MAINTENANCE AND SERVICING

---



Procedures not specifically explained in this manual must be performed only by a qualified technician.

### **⚠️ WARNING**

#### TO PREVENT SERIOUS INJURY

##### FROM ACCIDENTAL OPERATION:

Turn the Power Switch Knob (80) of the Wet/Dry Vacuum to its "OFF" position and unplug the unit from its electrical outlet before performing any inspection, maintenance, or cleaning procedures.

##### TO PREVENT SERIOUS INJURY FROM TOOL FAILURE:

Do not use damaged equipment. If abnormal noise or vibration occurs, have the problem corrected before further use.

3. Always store the Wet/Dry Vacuum in a clean, dry, safe location out of reach of children and other unauthorized people.
4. **⚠️ WARNING!** If the supply cord of this power tool is damaged, it must be replaced only by a qualified service technician.

---

### **Cleaning, Maintenance, and Lubrication**

1. **BEFORE EACH USE**, inspect the general condition of the Wet/Dry Vacuum. Check for misalignment or binding of moving parts, damaged electrical wiring or hoses, and any other condition that may affect its safe operation.
2. **AFTER USE**, clean all external surfaces of the unit, inside the Tank, and all accessories with clean water. Then dry.

## TROUBLESHOOTING

Problem	Possible Causes	Likely Solutions
Vacuum will not start.	<ol style="list-style-type: none"> <li>1. No power at outlet.</li> <li>2. Cord not connected.</li> <li>3. On/Off switch is not turned On.</li> </ol>	<ol style="list-style-type: none"> <li>1. Check power at outlet.</li> <li>2. Check that cord is plugged in.</li> <li>3. Turn On the switch.</li> </ol>
When dry vacuuming, Motor becomes labored.	<ol style="list-style-type: none"> <li>1. Cartridge Filter is clogged or Tank is full.</li> </ol>	<ol style="list-style-type: none"> <li>1. Turn off Vacuum, and disconnect the unit from its electrical outlet. Then clean out Cartridge Filter and/or Tank.</li> </ol>
When wet vacuuming, unit automatically stops vacuuming.	<ol style="list-style-type: none"> <li>1. Tank is full of water.</li> </ol>	<ol style="list-style-type: none"> <li>1. Turn off Vacuum, and disconnect the unit from its electrical outlet. Then empty the Tank of dirty water.</li> </ol>
Suction is poor.	<ol style="list-style-type: none"> <li>1. Insufficient air flow.</li> <li>2. Insufficient air flow.</li> <li>3. Clogged Hose and/or accessories.</li> <li>4. Inspect the filters.</li> </ol>	<ol style="list-style-type: none"> <li>1. Adjust Air Flow Adjusting Knob for greater suction.</li> <li>2. Make sure all connections are secure.</li> <li>3. Clean out Hose and accessories.</li> <li>4. Clean/Replace the filters.</li> </ol>



**Follow all safety precautions whenever diagnosing or servicing the tool. Disconnect power supply before service.**

### PLEASE READ THE FOLLOWING CAREFULLY

THE MANUFACTURER AND/OR DISTRIBUTOR HAS PROVIDED THE PARTS LIST AND ASSEMBLY DIAGRAM IN THIS MANUAL AS A REFERENCE TOOL ONLY. NEITHER THE MANUFACTURER OR DISTRIBUTOR MAKES ANY REPRESENTATION OR WARRANTY OF ANY KIND TO THE BUYER THAT HE OR SHE IS QUALIFIED TO MAKE ANY REPAIRS TO THE PRODUCT, OR THAT HE OR SHE IS QUALIFIED TO REPLACE ANY PARTS OF THE PRODUCT. IN FACT, THE MANUFACTURER AND/OR DISTRIBUTOR EXPRESSLY STATES THAT ALL REPAIRS AND PARTS REPLACEMENTS SHOULD BE UNDERTAKEN BY CERTIFIED AND LICENSED TECHNICIANS, AND NOT BY THE BUYER. THE BUYER ASSUMES ALL RISK AND LIABILITY ARISING OUT OF HIS OR HER REPAIRS TO THE ORIGINAL PRODUCT OR REPLACEMENT PARTS THERETO, OR ARISING OUT OF HIS OR HER INSTALLATION OF REPLACEMENT PARTS THERETO.

## PARTS LIST

Part #	Description	Qty.	Part #	Description	Qty.
1	Decorative Cover	1	45	Caster (55mm)	2
2A	Screw (ST4.2x16-F)	24	46	Base	1
3	Upper Cover Pressing Plate	2	47	Intake Bracket	1
4A	Screw (ST3.5x16-F)	3	48	Intake Seal	1
5A	Screw (ST2.9x8-F)	4	49	Intake Port	1
6	Tool Interface	1	50	Suction Hose	1
7	Tool Interface	1	51	Pressing Cover Sealing Bar	2
8	Upper Cover Interface Plate	1	52	Sealing Washer B	2
9	Upper Cover	1	53	Filter Cover	1
10	Connecting Cap (#3)	1	54	Cartridge Filter	1
11	Power Cord/Plug	1	55	Pressing Plate	1
12	Cord Sleeve	1	56A	Screw w/Washer (ST4.2x20)	2
13A	Screw (ST4.2x13-F)	4	57	Inner Pressing Plate	2
14	Middle Cover	1	58	Outward Pressing Plate	2
15	Exhaust Cover Gasket	2	59	Left Latch	1
16	Middle Motor Gasket	1	60	Latch Cover	2
17	Handle Sleeve	1	61	Pressing Plate	2
18	Upper Handle	1	62	Upper Cover	1
19	Handle Pipe	2	63	Safety Float	1
20	Lower Handle	2	64	Sealing Washer A	1
21A	Flange Screw (M4x60)	2	65	Sealing Cover	1
22	Drain Clip	1	66	Motor Bottom Sealing Loop	1
23	Cord Clip	2	67	Air Flow Adjusting Knob	1
24	Outward Pressing Plate	2	68	Air Flow Regulator	1
25	Inner Pressing Plate	2	69	Motor	1
26A	Flange Screw (M4x30)	1	70A	Screw (ST2.9x8-F)	1
27	Drain Cover	1	71	Electrical Wiring Pressing Plate	1
28	Drain Cover Strap	1	72A	Safety Cover	1
29	Drain Hose	1			
30	Drain Spring Clip	1	74	Silencing Filter	1
31	Drain Tie-In	1	75A	Screw (ST2.5x13-C)	3
32	Drain Washer	4	76A	Exhaust Cover	1
33	Drain Nut	1	77A	Screw (St2.5x9.5-C)	2
34	Right Latch	1	78	Switch	1
35	Tank	1	79	O-Ring (15x2.65G)	1
36	Wheel Cover	2	80A	Switch Knob	1
37A	Screw (ST2.9x8)	4	81	Handle	1
38	Pin "A" (3.2x20)	2	82	Telescopic Suction Tube	1
39	Washer (#10)	2	83	Wet & Dry Brush	1
40	Wheel	2	84	Filter Cage	1
41	Axle Bracket	2	85	Foam Filter	1
42	Axle	1	86	Crevice Nozzle	1
43A	Screw w/Washer (ST2.9x13-F)	1	87	Furniture Brush	1
44	Grounding Chain	1	88	Dust Bag	1

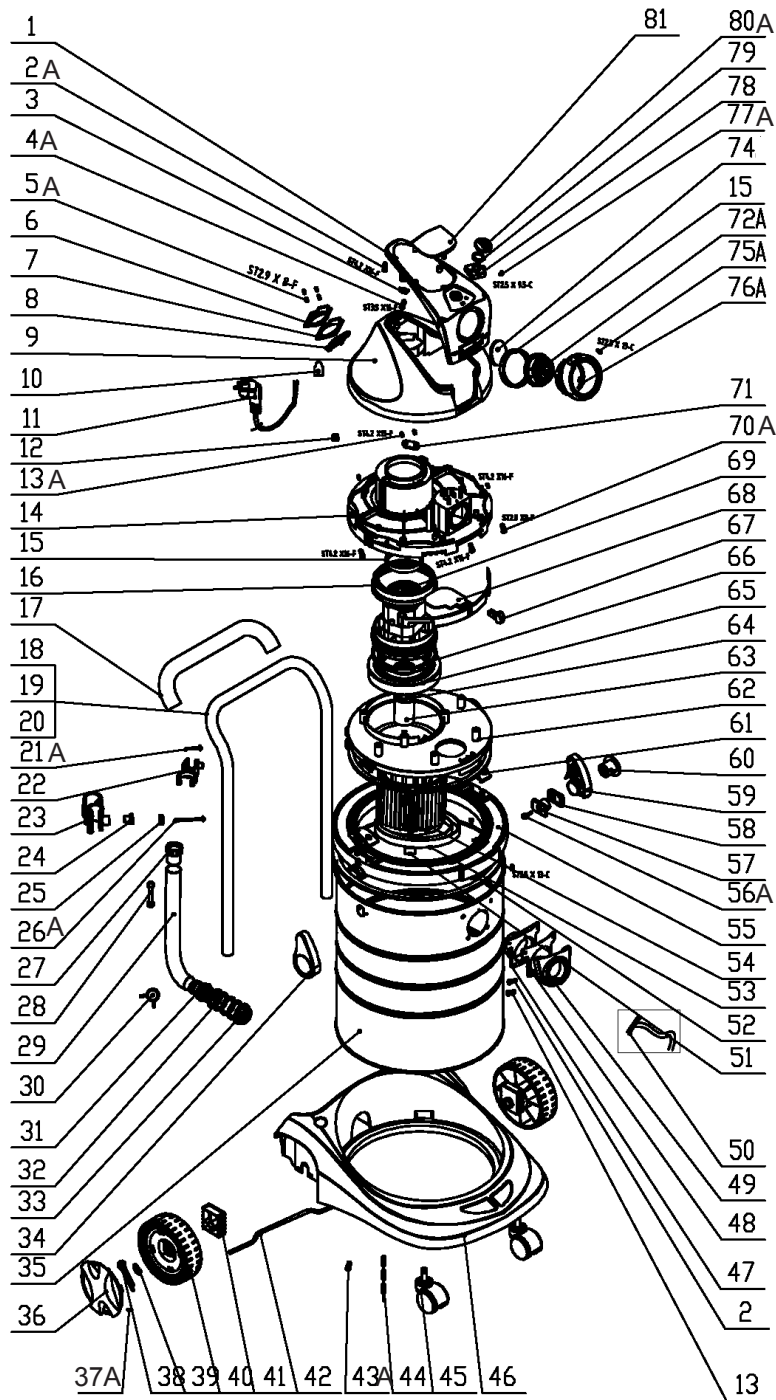
REV 10c

SKU 97677

**For technical questions, please call 1-800-444-3353.**

Page 13

# ASSEMBLY DIAGRAM



For the following parts, see page 8, Figure A:

- Telescopic Suction Tube (82)
- Wet & Dry Brush (83)
- Filter Cage (84)
- Foam Filter (85)
- Crevice Nozzle (86)
- Furniture Brush (87)
- Dust Bag (88)
- Suction Hose (50)

---

## LIMITED 1 YEAR / 90 DAY WARRANTY

---

Harbor Freight Tools Co. makes every effort to assure that its products meet high quality and durability standards, and warrants to the original purchaser that for a period of ninety days from date of purchase that the engine/motor, the belts (if so equipped), and the blades (if so equipped) are free of defects in materials and workmanship. Harbor Freight Tools also warrants to the original purchaser, for a period of one year from date of purchase, that all other parts and components of the product are free from defects in materials and workmanship (90 days if used by a professional contractor or if used as rental equipment). This warranty does not apply to damage due directly or indirectly, to misuse, abuse, negligence or accidents, repairs or alterations outside our facilities, normal wear and tear, or to lack of maintenance. We shall in no event be liable for death, injuries to persons or property, or for incidental, contingent, special or consequential damages arising from the use of our product. Some states do not allow the exclusion or limitation of incidental or consequential damages, so the above limitation of exclusion may not apply to you. THIS WARRANTY IS EXPRESSLY IN LIEU OF ALL OTHER WARRANTIES, EXPRESS OR IMPLIED, INCLUDING THE WARRANTIES OF MERCHANTABILITY AND FITNESS.

To take advantage of this warranty, the product or part must be returned to us with transportation charges prepaid. Proof of purchase date and an explanation of the complaint must accompany the merchandise. If our inspection verifies the defect, we will either repair or replace the product at our election or we may elect to refund the purchase price if we cannot readily and quickly provide you with a replacement. We will return repaired products at our expense, but if we determine there is no defect, or that the defect resulted from causes not within the scope of our warranty, then you must bear the cost of returning the product.

This warranty gives you specific legal rights and you may also have other rights which vary from state to state.

**3491 Mission Oaks Blvd. • PO Box 6009 • Camarillo, CA 93011 • (800) 444-3353**

**Record Product's Serial Number Here:** \_\_\_\_\_

**Note:** If product has no serial number, record month and year of purchase instead.

**Note:** Some parts are listed and shown for illustration purposes only, and are not available individually as replacement parts.

## Free Manuals Download Website

<http://myh66.com>

<http://usermanuals.us>

<http://www.somanuals.com>

<http://www.4manuals.cc>

<http://www.manual-lib.com>

<http://www.404manual.com>

<http://www.luxmanual.com>

<http://aubethermostatmanual.com>

Golf course search by state

<http://golfingnear.com>

Email search by domain

<http://emailbydomain.com>

Auto manuals search

<http://auto.somanuals.com>

TV manuals search

<http://tv.somanuals.com>