

CHICAGO
Electric[®]Power Tools

14" CUT OFF SAW

Model 44829

SET UP AND OPERATING INSTRUCTIONS



(Blade Sold Separately)

Distributed exclusively by Harbor Freight Tools[®].

3491 Mission Oaks Blvd., Camarillo, CA 93011

Visit our website at: <http://www.harborfreight.com>



**Read this material before using this product.
Failure to do so can result in serious injury.
SAVE THIS MANUAL.**

Copyright[®] 2001 by Harbor Freight Tools[®]. All rights reserved. No portion of this manual or any artwork contained herein may be reproduced in any shape or form without the express written consent of Harbor Freight Tools. Diagrams within this manual may not be drawn proportionally. Due to continuing improvements, actual product may differ slightly from the product described herein. Tools required for assembly and service may not be included.

For technical questions or replacement parts, please call 1-800-444-3353.

REV 07h

SPECIFICATIONS

Motor	120 V~ / 60 Hz / 1500 W / 1 Phase, 2 HP
Speed	3400 RPM
Blade Size	14" Diameter x 1" Arbor (Not Included)
Miter Angle	0-45° Right 0-30° Left
Table Size	9-3/4" x 10-1/4"
Cutting Capacities	Steel Pipe - 4" Dia. x 1/4" Wall Thickness Angle Iron - 3" x 3" x 1/2" Wall Thickness Solid Steel - 1-3/8" Dia.

Vise Assembly and Spanner Wrench Included.

SAVE THIS MANUAL

You will need the manual for the safety warnings and precautions, assembly instructions, operating and maintenance procedures, parts list and diagram. Keep your invoice with this manual. Write the invoice number on the inside of the front cover. Keep the manual and invoice in a safe and dry place for future reference.

SAFETY WARNINGS AND PRECAUTIONS

WARNING: When using tool, basic safety precautions should always be followed to reduce the risk of personal injury and damage to equipment.

Read all instructions before using this product!

1. **Avoid working alone.** If an accident happens, an assistant can bring help.
2. **Keep work area clean.** Cluttered areas invite injuries.
3. **Observe work area conditions.** Don't expose to rain. Keep work area well lighted.
4. **Keep children away.** Children must never be allowed in the work area. Do not let them handle machines, tools, or extension cords.
5. **Store idle equipment.** When not in use, tools must be stored in a dry location to inhibit rust. Always lock up tools and keep out of reach of children.
6. **Dress properly.** Do not wear loose clothing or jewelry as they can be caught in moving parts. Protective, electrically nonconductive clothes and nonskid footwear are recommended when working. Wear restrictive hair covering to contain long hair.
7. **Use eye and ear protection.** Always wear ANSI approved impact safety goggles. Wear an ANSI approved face shield when producing metal filings.
8. **Do not overreach.** Keep proper footing and balance at all times. Do not reach over or across electrical cables or frames.

9. **Maintain tools with care.** Inspect tool cords periodically and, if damaged, have them repaired by an authorized technician.
10. **Use the right tool for the job.** Do not attempt to force a small tool or attachment to do the work of a larger industrial tool. There are certain applications for which this tool was designed. Do not modify this tool and do not use this tool for a purpose for which it was not intended.
11. **Stay alert.** Watch what you are doing, use common sense. Do not operate any tool when you are tired.
12. **Check for damaged parts.** Before using any tool, any part that appears damaged should be carefully checked to determine that it will operate properly and perform its intended function. Check for alignment and binding of moving parts; any broken parts or mounting fixtures; and any other condition that may affect proper operation. Any part that is damaged should be properly repaired or replaced by a qualified technician. Do not use the tool if any switch does not turn On and Off properly.
13. **Do not operate tool if under the influence of alcohol or drugs.** Read warning labels on prescriptions to determine if your judgment or reflexes are impaired while taking drugs. If there is any doubt, do not operate the tool.
14. **Use proper size and type extension cord.** If an extension cord is required, it must be of the proper size and type to supply the correct current to the tool. Otherwise, the extension cord could melt and catch fire, or cause electrical damage to the tool. This tool requires use of an extension cord of **0 to 12 amps** capability (up to 50 feet), with wire size rated at **14 AWG**. Longer extension cords require larger size wire. If you are using the tool outdoors, use an extension cord rated for outdoor use (signified by "WA" on the jacket).
15. **Maintenance.** For your safety, maintenance should be performed regularly by a qualified technician.
16. **When servicing, use only identical replacement parts.** Use of any other parts will void the warranty. Only use accessories intended for use with this tool. Approved accessories are available from Harbor Freight Tools.
17. People with pacemakers should consult their physician(s) before use. Electromagnetic fields in close proximity to heart pacemaker could cause pacemaker interference or pacemaker failure.
18. **WARNING:** This product contains or, when used, produces a chemical known to the State of California to cause cancer and birth defects or other reproductive harm. (California Health & Safety Code § 25249.5, et seq.)
19. The warnings, cautions, and instructions discussed in this instruction manual cannot cover all possible conditions and situations that may occur. It must be understood by the operator that common sense and caution are factors which cannot be built into this product, but must be supplied by the operator.

UNPACKING

When unpacking, check to make sure the parts listed on page 6 are included. If any parts are missing or broken, please call Harbor Freight Tools at the number on the cover of this manual.

OPERATION

Warning! Unplug the power cord while setting up the saw and workpiece. Do not plug in until ready to cut.

Warning! This Cut-Off Saw is designed to cut iron metal. Do not cut wood, brick, aluminum, or magnesium; tool damage and/or personal injury could occur.

Note: Use an aluminum oxide wheel for cutting ferrous material, i.e. angle iron, conduit pipe, etc. Use masonry wheels to cut masonry, stone, brick, aggregate, etc.

- An aluminum oxide wheel is #525 Cut-off Wheel (not included), 1/8" Thick, 30 Grit.
- A masonry wheel is #44815 Cut-off Wheel (not included), 1/8" Thick.

Before using the saw always:

- a. Make sure the blade (not included) is securely attached. Loosen Screw (110) and lift Small Cover (109) out of the way. Using the Wrench (91), remove the Hex Screw (23) - reverse thread, Stop Washer (22), Flat Washer #21), and the Flange (20). Set the blade on the arbor and replace the hardware. Do not over-tighten. Move Small Cover (109) back in place and tighten Screw (110).
 - b. Check that the Upper Shield (12) and Lower Shield (30) are in place.
 - c. The Cut Off Saw must be located on a level, flat, workbench that is solid and able to support the weight of the tool and workpieces. The workpiece must be secured in a vise or with clamps (vise assembly included).
 - d. Wear ANSI approved impact safety goggles.
1. Disconnect the Chain (72), allowing the blade assembly to lift. The chain is only used for transporting the tool. Make sure the saw has cooled for 3-5 minutes before latching or unlatching the Chain (72), to avoid burning yourself on the hot blade.
 2. Loosen the Vise (82) on the vise assembly and position workpiece. Tighten the Vise (82).
 3. Make sure the blade is clear to rotate freely.
 4. Press the power Switch (33). Allow blade to reach full speed.
 5. Lower the Handle (35) slowly and contact the workpiece with very little pressure. Let the blade do the work. If the blade begins to slow, back off as you are exerting too much pressure.

Caution: The Lower Shield (30) and Small Cover (109) must always be in place. Both of these blade guards must be in place when the tool is being used.

6. Turn off the power and unplug the tool before removing workpiece. Never leave the tool running unattended.

Miter Cuts

For Miter Cuts, you must use the Vise (82). The Vise Stop has a Fixed Splint (100) for this purpose. Loosen the Vise Stop by slightly loosening each bolt and align the scale to your desired angle. Tighten the bolts. Carefully set the workpiece into the Vise (82) without disturbing the setting.

MAINTENANCE

Warning! Remove the electrical plug from the outlet before maintaining the Saw.

1. Wearing gloves, carefully clean any excess metal filings that accumulate on the saw, vise assembly, or motor housing.
2. To keep looking like new, use an automotive wax to polish the metal Base (87).
3. Check blade for wear, replace at the first sign of any tears or cracks.
4. Periodically check power cord for wear or tears. If necessary, have a qualified technician replace it.
5. Never use chemicals or solvents to clean the Saw.

Lubrication

1. The motor bearings are permanently lubricated at the factory. Do not attempt to work on the motor; the tool should be serviced by a qualified technician.
2. Any mechanical part including a pivot or threaded rod may be lightly sprayed with a silicone or graphite lubricant, which will not hold or collect the metal filings left from a job.
3. Periodically inspect the Carbon Brush (67) and replace it when it is worn out. Remove the Brush Cap (68) and take out the Carbon Brush (67). Replace and tighten the Brush Cap (68).

PLEASE READ THE FOLLOWING CAREFULLY

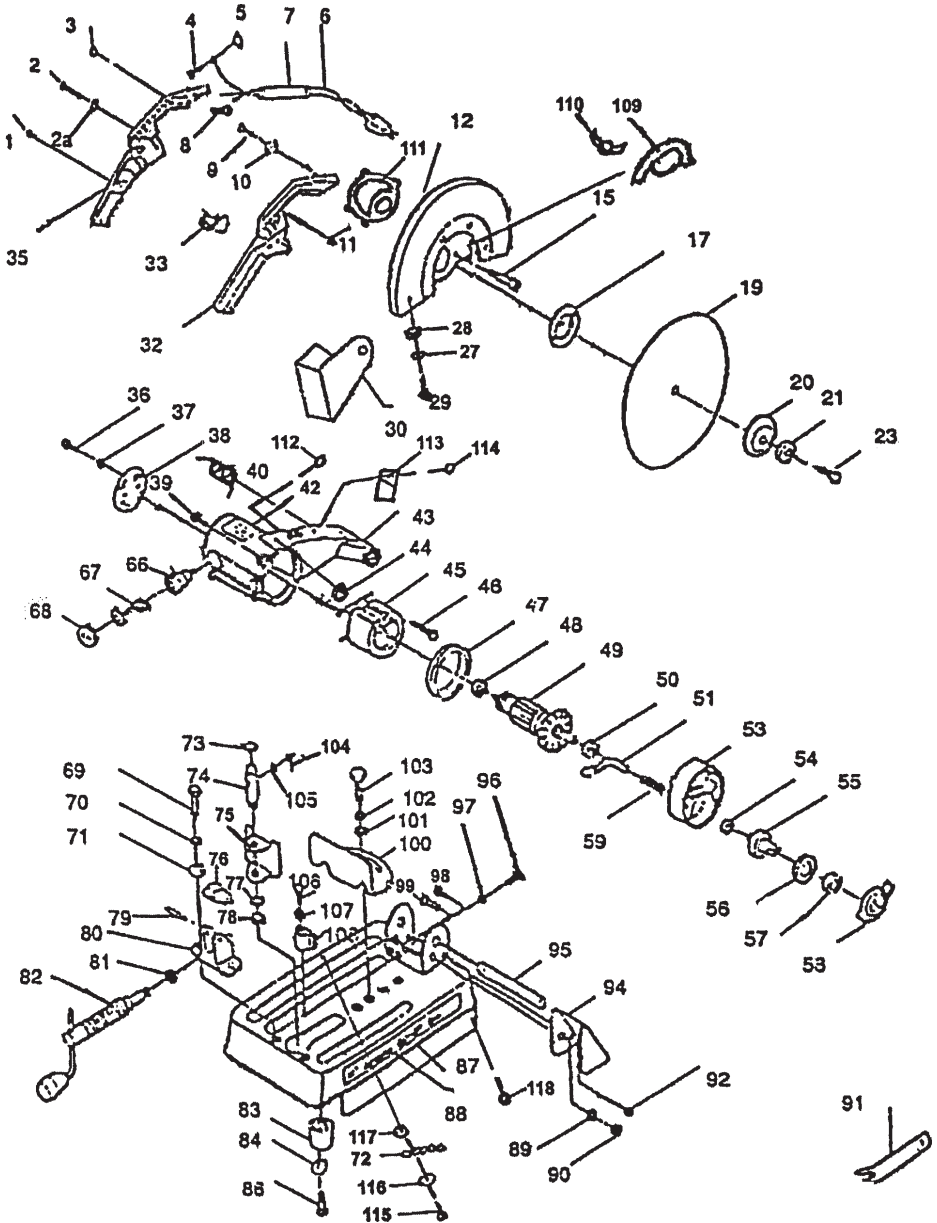
THE MANUFACTURER AND/OR DISTRIBUTOR HAS PROVIDED THE PARTS DIAGRAM IN THIS MANUAL AS A REFERENCE TOOL ONLY. NEITHER THE MANUFACTURER NOR DISTRIBUTOR MAKES ANY REPRESENTATION OR WARRANTY OF ANY KIND TO THE BUYER THAT HE OR SHE IS QUALIFIED TO MAKE ANY REPAIRS TO THE PRODUCT OR THAT HE OR SHE IS QUALIFIED TO REPLACE ANY PARTS OF THE PRODUCT. IN FACT, THE MANUFACTURER AND/OR DISTRIBUTOR EXPRESSLY STATES THAT ALL REPAIRS AND PARTS REPLACEMENTS SHOULD BE UNDERTAKEN BY CERTIFIED AND LICENSED TECHNICIANS AND NOT BY THE BUYER. THE BUYER ASSUMES ALL RISK AND LIABILITY ARISING OUT OF HIS OR HER REPAIRS TO THE ORIGINAL PRODUCT OR REPLACEMENT PARTS THERETO, OR ARISING OUT OF HIS OR HER INSTALLATION OF REPLACEMENT PARTS THERETO.

PARTS LIST

Part No.	Description	Part No.	Description
1	Flat Screw M4 x 25	67	Carbon Brush
2	Flat Screw M5 x 30	68	Brush Cap
2A	Washer \varnothing 5	69	Flat Screw M8 x 30
3	Flat Screw M5 x 30	70	Stop Washer \varnothing 8
4	Flat Screw M4 x 10	71	Flat Washer \varnothing 8
5	Washer \varnothing 4	72	Chain
6	Power Cord	73	Fixed Spring Ring
7	Shield Cable	74	Pin
8	Copper Tube	75	Movable Splint
9	Flat Screw ST 3.8 x 12	76	Thread Nut
10	Clamp	77	Flat Washer
11	Hex Nut M5	78	Anti-Loose Nut M8
12	Upper Shield	79	Pin
15	Flat Screw M5 x 55	80	Holder
17	Flange	81	Flat Screw \varnothing 8
19	Blade (not included)	82	Vice
20	Flange	83	Leg
21	Flat Washer M10	84	Flat Washer \varnothing 6
23	Hex Screw M10 x 20	86	Flat Screw M8 x 25
27	Fibre Washer \varnothing 6	87	Base
28	Stop Nut M6	88	Name Plate
29	Screw M6 x 10	89	Stop Washer \varnothing 8
30	Lower Shield	90	Hex Nut M8
32	Handle Rt. Side	91	Wrench
33	Switch	92	Hex Nut M5
35	Handle Lt. Side	94	Cover
36	Flat Screw M5 x 14	95	Spindle
37	Stop Washer \varnothing 5	96	Flat Screw M5 x 12
38	End Cover	97	Stop Washer \varnothing 5
39	Flat Screw M5 x 12	98	Flat Screw M5 x 12
40	Spring	99	Hex Screw M8 x 20
42	Alarm Sign	100	Fixed Splint
43	Motor Room	101	Flat Washer \varnothing 10
44	Plastic Ring	102	Stop Washer \varnothing 11
45	Magnetic Part	103	Hex Nut M10 x 20
46	Flat Screw M5 x 70	104	Pin
47	Baffle	105	Flat Washer MM8.4
48	Ball Bearing	106	Flat Washer M8 x 40
49	Armature	107	Hex Screw M8
50	Ball Bearing	108	Halting Equipment
51	Insert Stick	109	Small Cover
53	Gear Room	110	Screw M6
54	Ball Bearing	111	Plastic pad
55	Second Axis	112	Screw
56	Gear	113	Halting Equipment
57	Ball Bearing	114	Screw M5 x 15
58	Front Cover	115	Screw
59	Spring	116	Flat Washer
66	Carbon Brush Holder	117	Anti-loose Nut
		118	Screw

REV 02d

ASSEMBLY DRAWING



NOTE: Some parts are listed and shown for illustration purposes only and are not available individually as replacement parts.

SKU 44829

For technical questions, please call 1-800-444-3353.

REV 02d

Page 7

LIMITED 90 DAY WARRANTY

Harbor Freight Tools Co. makes every effort to assure that its products meet high quality and durability standards, and warrants to the original purchaser that this product is free from defects in materials and workmanship for the period of 90 days from the date of purchase. This warranty does not apply to damage due directly or indirectly, to misuse, abuse, negligence or accidents, repairs or alterations outside our facilities, criminal activity, improper installation, normal wear and tear, or to lack of maintenance. We shall in no event be liable for death, injuries to persons or property, or for incidental, contingent, special or consequential damages arising from the use of our product. Some states do not allow the exclusion or limitation of incidental or consequential damages, so the above limitation of exclusion may not apply to you. THIS WARRANTY IS EXPRESSLY IN LIEU OF ALL OTHER WARRANTIES, EXPRESS OR IMPLIED, INCLUDING THE WARRANTIES OF MERCHANTABILITY AND FITNESS.

To take advantage of this warranty, the product or part must be returned to us with transportation charges prepaid. Proof of purchase date and an explanation of the complaint must accompany the merchandise. If our inspection verifies the defect, we will either repair or replace the product at our election or we may elect to refund the purchase price if we cannot readily and quickly provide you with a replacement. We will return repaired products at our expense, but if we determine there is no defect, or that the defect resulted from causes not within the scope of our warranty, then you must bear the cost of returning the product.

This warranty gives you specific legal rights and you may also have other rights which vary from state to state.

3491 Mission Oaks Blvd. • PO Box 6009 • Camarillo, CA 93011 • (800) 444-3353

Free Manuals Download Website

<http://myh66.com>

<http://usermanuals.us>

<http://www.somanuals.com>

<http://www.4manuals.cc>

<http://www.manual-lib.com>

<http://www.404manual.com>

<http://www.luxmanual.com>

<http://aubethermostatmanual.com>

Golf course search by state

<http://golfingnear.com>

Email search by domain

<http://emailbydomain.com>

Auto manuals search

<http://auto.somanuals.com>

TV manuals search

<http://tv.somanuals.com>