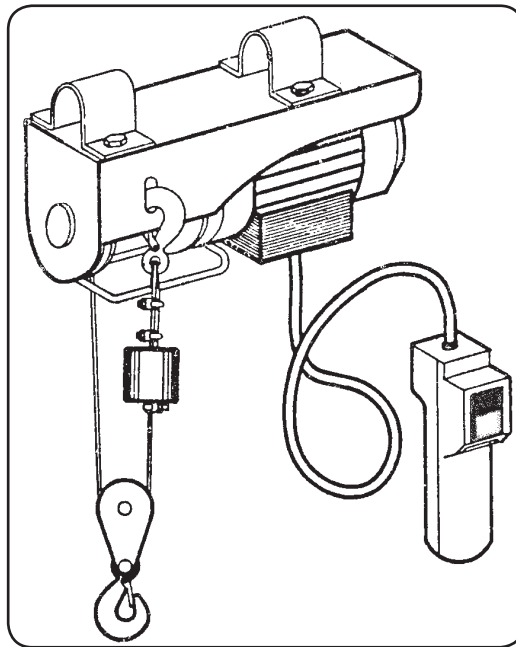


CHICAGO
Electric Power Tools

440 lb. Electric Hoist

Model 40765

SET UP AND OPERATING INSTRUCTIONS



Diagrams within this manual may not be drawn proportionally.

Due to continuing improvements, actual product may differ slightly from the product described herein.

Distributed exclusively by Harbor Freight Tools®.

3491 Mission Oaks Blvd., Camarillo, CA 93011

Visit our website at: <http://www.harborfreight.com>



**Read this material before using this product.
Failure to do so can result in serious injury.
SAVE THIS MANUAL.**

Copyright© 1999 by Harbor Freight Tools®. All rights reserved. No portion of this manual or any artwork contained herein may be reproduced in any shape or form without the express written consent of Harbor Freight Tools.

For technical questions or replacement parts, please call 1-800-444-3353.

Cover Revised 07j

SPECIFICATIONS

Capacity	220 Lb. Single Cable, 440 Lb. Double Cable
Line Speed	33 FPM
Cable Length	38' Single Lift, 19' Double Lift
Cable	1/8" diameter steel strands
Motor	.61 Horsepower 1725 RPM
Power Supply	120 V~ / 60 Hz / 4.5 A
Remote Switch	5.5' Cable Length
Mounting Clamps	1-5/8" Diameter
Duty Cycle	25%*

*This Hoist has a 25% duty cycle. This means that the hoist may only be run up to 2 minutes 30 seconds at a time and then it must be allowed to rest for at least 7 minutes 30 seconds before further use.

CAUTION: To reduce the risk of electric shock or injury, use indoors only.

Included Accessories

1. Mounting clamps for attaching hoist to fixed overhead or rotating support.
2. Remote Switch with water sealed power switch, for safe operation.
3. 38' steel wire cable with sheaved pulley lift hook and weighted lift hook
4. Stabilizing weight on primary lift hook.
5. Built-in cable guide.

SAVE THIS MANUAL

You will need this manual for the safety warnings and cautions, assembly instructions, operating procedures, maintenance procedures, trouble shooting, parts list, and diagram. Keep your invoice with this manual. Write the invoice number on the inside of the front cover. Keep both this manual and your invoice in a safe, dry place for future reference.

WARNING!

The Warnings, Cautions, and Instructions discussed in this instruction manual cannot cover all possible conditions and situations that may occur. It must be understood by the operator that common sense and caution are factors which cannot be built into this product, but must be supplied by the operator.

SAFETY WARNING & CAUTIONS

WARNING: When using powered equipment, basic safety precautions should always be followed to reduce the risk of personal injury and hazards.

READ ALL INSTRUCTIONS BEFORE USING THIS TOOL!

1. **KEEP WORK AREA CLEAN.** Cluttered areas invite injuries.
2. **OBSERVE WORK AREA CONDITIONS.** Do not use tools in damp, wet, or poorly lit locations. Don't expose to rain. Keep work area well lit. Do not use electrically powered equipment in the presence of flammable gases or liquids.
3. **KEEP CHILDREN AWAY.** Children must never be allowed in the work area. Do not let them handle machines, tools, or equipment.
4. **STORE IDLE EQUIPMENT.** When not in use, tools must be locked up in a dry location to inhibit rust. Always lock up tools and keep out of reach of children.
5. **DO NOT FORCE THE TOOL.** It will do the job better and more safely at the rate for which it was intended. Do not use inappropriate attachments in an attempt to exceed the tool's capacities.
6. **USE THE RIGHT TOOL FOR THE JOB.** Do not use a tool for a purpose for which it was not intended.
7. **DRESS PROPERLY** Do not wear loose clothing or jewelry, as they can be caught in moving parts. Non-skid footwear is recommended. Wear restrictive hair covering to contain long hair. Always wear appropriate work clothing.
8. **USE EYE, EAR AND BREATHING PROTECTION.** Always wear ANSI approved impact safety goggles if you are producing metal filings or wood chips. Wear an ANSI approved dust mask or respirator when working around metal, wood, and chemical dusts and mists. Use ANSI approved ear protection when working in a loud or noisy environment.
9. **DO NOT ABUSE THE POWER CORD.** Protect the power cord from damage, either from impacts, pulling or corrosive materials. Do not yank machine's cord to disconnect it from the receptacle.
10. **DO NOT OVERREACH.** Keep proper footing and balance at all times. Do not reach over or across running machines.
11. **MAINTAIN TOOLS WITH CARE.** Keep tools sharp and clean for better and safer performance. Follow instructions for lubricating and changing accessories. Inspect power cord periodically and, if damaged, have it repaired by an authorized technician. Inspect all moving parts and mounting bolts prior to use. Control handle and power switch must be kept clean, dry, and free from oil and grease at all times.
12. **REMOVE ADJUSTING KEYS AND WRENCHES.** Be sure that keys and adjusting wrenches are removed from the tool or machine work surface before operation.
13. **AVOID UNINTENTIONAL STARTING.** Be sure that you are prepared to begin work before turning the start switch on.
14. **STAY ALERT.** Watch what you are doing. Do not operate this machine when you are tired.

15. DO NOT OPERATE THIS MACHINE WHILE UNDER THE INFLUENCE OF ALCOHOL, DRUGS, OR PRESCRIPTION MEDICINES.
16. CHECK FOR DAMAGED PARTS. Before using any tool, any part that appears damaged should be carefully checked to determine that it will operate properly and perform its intended function. Check for alignment and binding of moving parts, any broken parts or mounting fixtures, and any other condition that may affect proper operation. Any part that is damaged should be properly repaired or replaced by a qualified technician.
17. REPLACEMENT PARTS AND ACCESSORIES. When servicing, use only identical replacement parts, which are available from Harbor Freight Tools.
18. DO NOT USE FOR AIRCRAFT PURPOSES.
19. PEOPLE WITH PACEMAKERS SHOULD CONSULT THEIR PHYSICIAN(S) BEFORE USE. Electromagnetic fields in close proximity to heart pacemaker could cause pacemaker interference or pacemaker failure. In addition, people with pacemakers should:
Avoid operating alone.
Do not use with power switch locked on.
Properly maintain and inspect to avoid electrical shock.
Any power cord must be properly grounded. Ground Fault Circuit Interrupter (GFCI) should also be implemented - it prevents sustained electrical shock.
20. THE CABLE. Be sure the cable is in good condition, and is attached properly. Do not use the Hoist if the cable is frayed, kinked, or wrapped improperly on the reel. Do not replace the cable with a cable of lesser strength.
21. POWER SUPPLY. Be sure the power cord and control handle are in good condition. Avoid use in wet conditions, or exposing the electrical components of this hoist to moisture. Route the power cord so that it is out of the way of other tools and equipment. Take care to prevent damage to the power cord, or control handle cord. If the cord becomes damaged, repair or replace it before using the hoist.
22. STAND BACK. Stay out of the direct line that the cable is pulling. If it slips or breaks, it will “whiplash” along this line. Never stand underneath a weight being lifted. Always wear ANSI-approved eye protection when working around tools and equipment. Do not hold the cable while using the hoist, as your hand can become caught. Keep hands, clothing, hair and jewelry clear of the hoist while in use. Use a spotter to assist you in assuring that it is safe to operate the hoist.
23. POWER LIMITS. Do not attempt to exceed the pulling limits of this hoist. Ensure that the mount to which the hoist is attached will hold the weight you will apply using this hoist.
24. **WARNING:** This product contains or, when used, produces a chemical known to the State of California to cause cancer and birth defects or other reproductive harm. (California Health & Safety Code § 25249.5, et seq.)

MOUNTING

Note: The Hoist is delivered completely assembled. It must only be mounted for use.

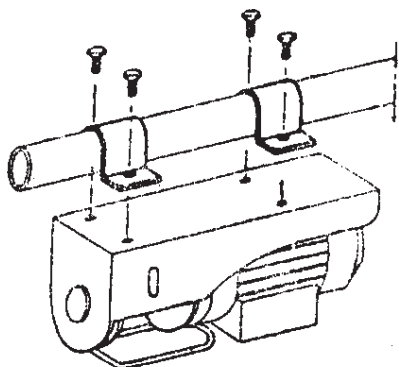


Figure 1. Mounting the Hoist.

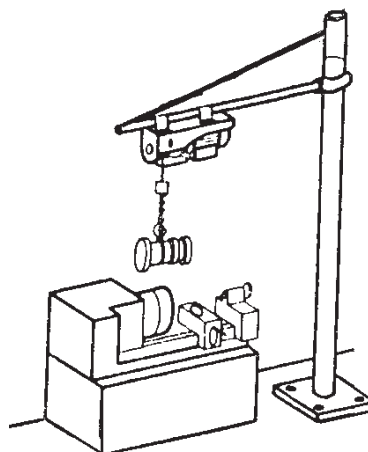


Figure 2. Optional Pole Mount.

The hoist may be mounted on a fixed overhead pipe, or attached to a pole on a rotating pillar.

To attach your hoist to an overhead pipe using the included brackets.

1. Find the 2 Brackets/Fixing Rings (#3) and the Bolts/Hexagon Screws (#4).
2. Place the Fixing Rings over a suitable pipe, in the position you wish to mount the hoist.
3. Have an assistant hold the hoist in place while you install the Bolts through the Fixing Rings into the threaded holes in the Fixing Rack (#1) of the hoist.
4. With the hoist in the correct position, firmly tighten the bolts.

USING YOUR HOIST

1. The cable spool will not turn freely. To pull out or wind up cable, you must operate the power switch.
2. To operate the power switch, take the control handle in your hand. Press the upper part of the rocker switch to reel in the cable. Press the lower part of the rocker cable to reel out cable.
3. Check to be sure it is safe to lift or pull the item.
4. To pull out the cable, grasp the lift hook, and pull it away from the hoist while pressing the lower part of the power switch. Always leave at least three turns of cable on the spool to prevent pulling the cable out of the Hoist.
5. Attach the cable firmly to the item using the lift hook or pulley lift hook. Never wrap the cable around the object and hook onto the cable itself. This can cause damage to the object being pulled, and kink or fray the cable.
6. Stand clear, and when it is safe to do so, use the power switch in the control handle to retract the cable, and hoist the item as desired.

Using your Hoist (continued)

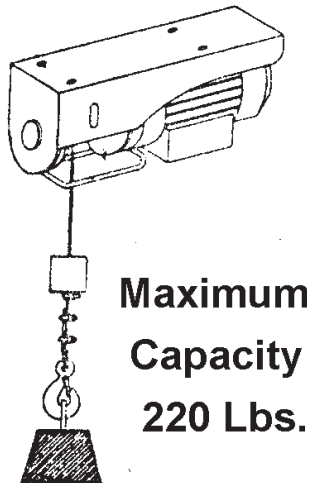


Figure 4. You can lift loads of up to 220 lb. (100 kg.) using the Lifting Hook.

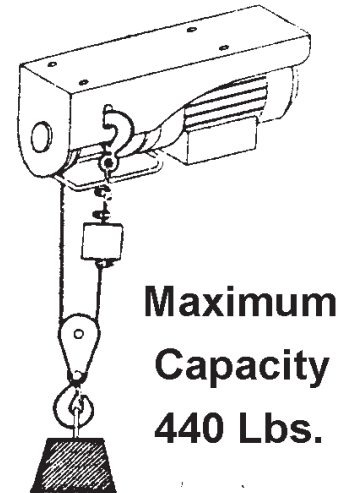


Figure 5. You can lift loads of up to 440 lb. (200 Kg.) using the Pulley Lift Hook.

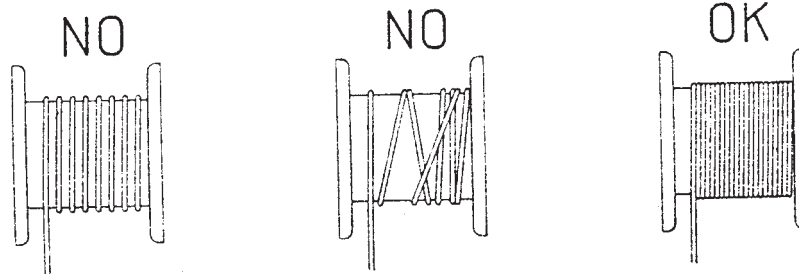


Figure 6. Be sure the cable is wound properly on the reel.

7. Be sure that the cable is properly wound around the spool.
8. Leave at least 3 turns of the cable around the reel, to keep the cable from detaching from the reel.
9. If you are unable to lift a load, do not continue to operate the power switch. This can damage the motor.

MAINTENANCE

1. Lubricate the cable occasionally with light oil. Check that it is in good condition.
2. Check to be sure the hoist is properly attached to its mounting pole. Make sure the bolts are tight.
3. Periodically check the condition of the electrical cords, plugs and controls.

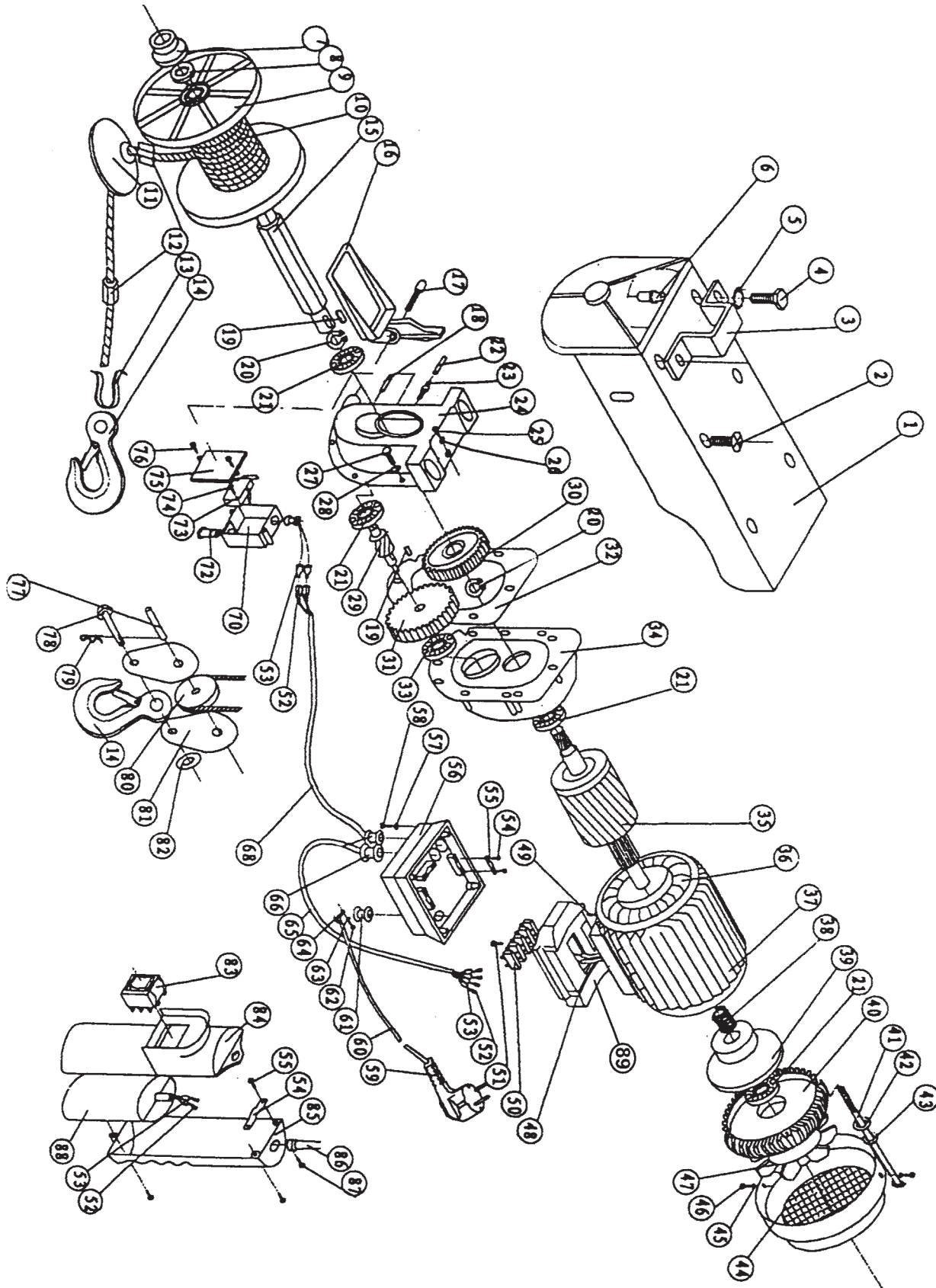
PLEASE READ THE FOLLOWING CAREFULLY

THE MANUFACTURER AND/OR DISTRIBUTOR HAS PROVIDED THE PARTS DIAGRAM IN THIS MANUAL AS A REFERENCE TOOL ONLY: NETHER THE MANUFACTURER NOR DISTRIBUTOR MAKES ANY REPRESENTATION OR WARRANTY OF ANY KIND TO THE BUYER THAT HE OR SHE IS QUALIFIED TO MAKE ANY REPAIRS TO THE PRODUCT OR THAT HE OR SHE IS QUALIFIED TO REPLACE ANY PARTS OF THE PRODUCT: IN FACT THE MANUFACTURER AND/OR DISTRIBUTOR EXPRESSLY STATES THAT ALL REPAIRS AND PARTS REPLACEMENTS SHOULD BE UNDERTAKEN BY CERTIFIED AND LICENSED TECHNICIANS AND NOT BY THE BUYER. THE BUYER ASSUMES ALL RISK AND LIABILITY ARISING OUT OF HIS OR HER REPAIRS TO THE ORIGINAL PRODUCT OR REPLACEMENT PARTS THERETO, OR ARISING OUT OF HIS OR HER INSTALLATION OF REPLACEMENT PARTS THERETO.

PARTS LIST

NO.	PARTS NAME	QTY	NO.	PARTS NAME	QTY
1	FIXING RACK	1	45	PLAIN WASHER $\phi 3$	2
2	CROSS RECESSED PAN HEAD SCREWS M8*22	2	46	CROSS RECESSED PAN HEAD SCREWS M3*6	4
3	FIXING RING	2	47	FAN BLADE	1
4	HEX HEAD BOLTS M8*25	4	48	PAD	1
5	LOCK WASHERS EXTERNAL TEETH $\phi 8$	4	49	HEX SOKET SCREW M6*8	1
6	FIX-UP NUT	4	50	PLACES TERMINAL BLOCK	1
7	CRADLE	1	51	CROSS RECESSED PAN HEAD TAPPING SCREWS ST2.4*14	1
8	WASHER	1	52	PLUG-IN SHEET	6
9	ROPE TUBE	1	53	SLEEVE OF PLUG-IN SHEET	6
10	ROPE	12 M	54	CROSS RECESSED PAN HEAD TAPPING SCREW ST3.5*12	6
11	ROURING FEIGHT	1	55	CLAMP PLATE	4
12	FASTENING SLEEVE OF ROPE	1	56	CONNECTING HOUSING	1
13	SHRINK-RING OF ROPE	1	57	PLAIN WASHER $\phi 4$	4
14	LEFT HOOK	2	58	CROSS RECESSED PAN HEAD SCREW M4*20	4
15	SHAFT OF ROPE TUBE	2	59	PLUG	1
16	SPACING RACK	1	60	THREE CORE CABLE	1
17	HEX SOCKET SCREW M8*45	1	61	GUARD RING(SMALL)	3
18	CYLINDER PIN $\phi 3$	2	62	CROSS RECESSED PAN HEAD SREW M4*8	1
19	SQUARE KEY M5*12	2	63	PLAIN WASHER $\phi 4$	1
20	CIRCLIP FOR SHAFT $\phi 17$	1	64	GROUNDING SHEET	1
21	BEARING(60202)	2	65	FOUR CORE CABLE	1
22	SPACING SPRING	1	66	GUARD RING(LARGE)	1
23	DOUBLE END STUD	1			
24	GEAR BOX	1	68	TWO CORE CABLE	1
25	CROSS RECESSED PAN HEAD SCREWS M5*14	2			
26	PLAIN WASHER $\phi 5$	1	70	SPRING LAMINATION(LARGE)MICROSWITCH BOX	1
27	HEX SOCKET SCREW M5*14	5			
28	SPRING WASHER $\phi 5$	5	72	MICROSWITCH SHARFT	1
29	INTERMEDIATE SHAFT	1	73	MICROSWITCH	1
30	GRADE 2 GEAR	1	74	CROSS RECESSED PAN HEAD ST3.5*14	1
31	GRADE 1 GEAR	1	75	MICROSWITCH COVER	1
32	SPACER	1	76	SLEEVE OF PLUG-IN SHEET	2
33	BEARING(60200)	2	77	CYLINDER PIN	1
34	FRONT COVER	1	78	CLAMP CONNECTER	1
35	ROTOR	1	79	SPLIT PIN	1
36	STATOR	1	80	PULLEY	1
37	CHASSIS	1	81	PULLEY CLAMP	2
38	SPRING	1	82	PLAIN WASHER $\phi 8$	1
39	BRAKE HOOP	1	83	POSITIVE AND NEGATIVE SWITCHES	1
40	GEAR COVER	1	84	HANDLE COVER	1
41	HEX HEAD SCREW M4*175	4	85	HANDLE BASE	1
42	PLAIN WASHER $\phi 5$	4	86	SHEATH	1
43	SPRING WASHER $\phi 5$	4	87	CROSS RECESSED PAN HEAD TAPPING SCREW ST3.5*20	3
44	FAN HOOD	1	88	CAPACITOR	1
			89	JUNCTION BOX	

PARTS DIAGRAM

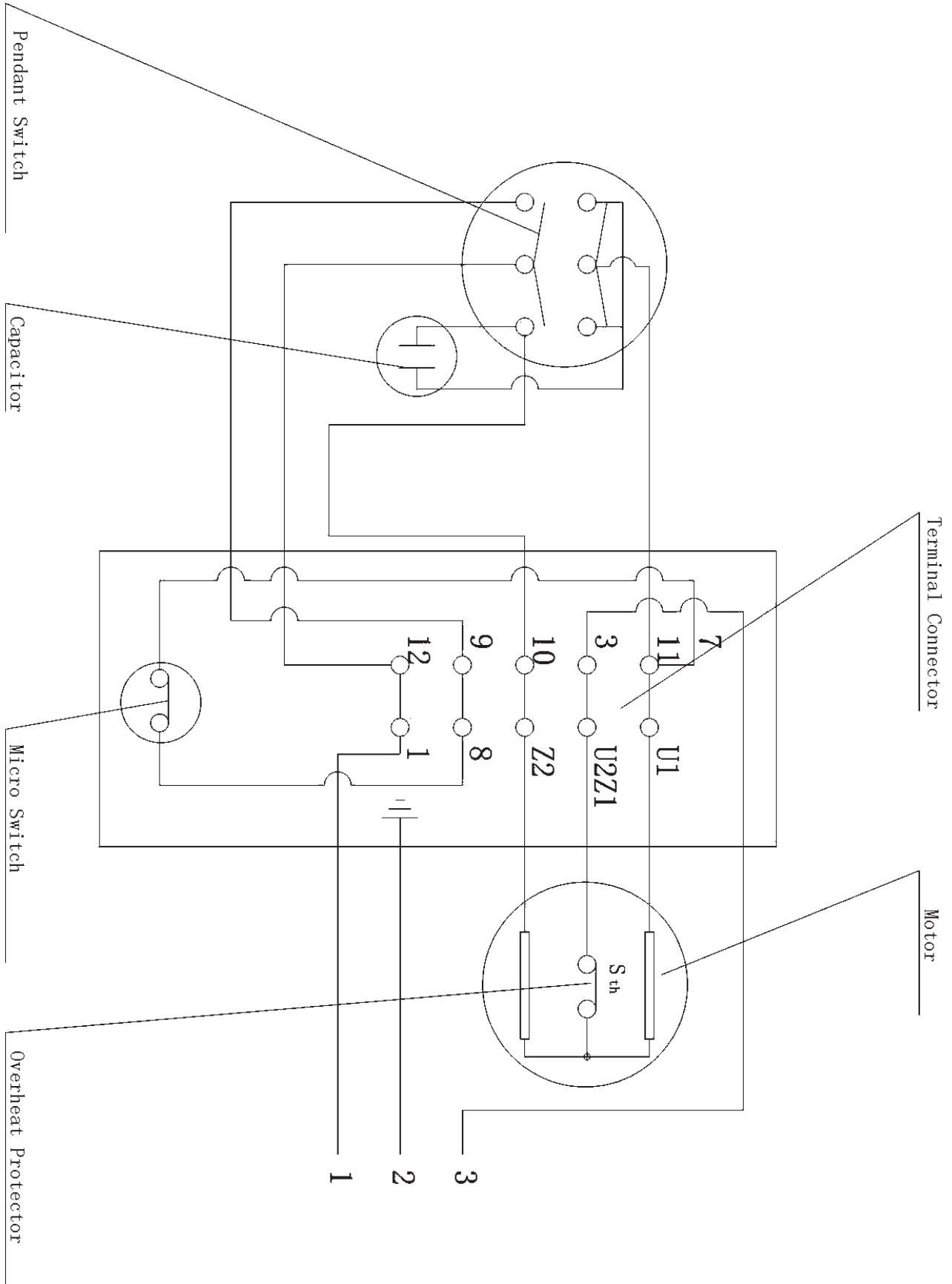


SKU 40765

For technical questions, please call 1-800-444-3353.

REV 01j, 02d, 08g
Page 9

WIRING DIAGRAM



Free Manuals Download Website

<http://myh66.com>

<http://usermanuals.us>

<http://www.somanuals.com>

<http://www.4manuals.cc>

<http://www.manual-lib.com>

<http://www.404manual.com>

<http://www.luxmanual.com>

<http://aubethermostatmanual.com>

Golf course search by state

<http://golfingnear.com>

Email search by domain

<http://emailbydomain.com>

Auto manuals search

<http://auto.somanuals.com>

TV manuals search

<http://tv.somanuals.com>