

BébéSounds®

Prenatal Gift Set

Juego de Regalo Prenatal



Model #BE005

Instruction Manual
Manual de Instrucciones

TABLE OF CONTENTS

Please Read the Following to Enjoy Our Product.....4

SECTION I: LISTENING TO YOUR UNBORN BABY

Introduction.....5

Contents.....6

Identifying the Fetal Sounds You Will Hear.....7

When You Will Hear These Sounds.....7

Prenatal Heart Listener® vs. Doppler.....8

Record Your Baby's Sounds and Your Own Heartbeat.....8

Instructions for Listening to Your Unborn Baby.....9

Instructions to Record Your Baby's Sounds.....11

Instructions to Record and Email
Your Baby's Sounds with Your Computer.....11

SECTION II: TALKING & PLAYING MUSIC TO YOUR UNBORN BABY

Introduction.....12

How Your Unborn Baby Develops.....13

How Your Unborn Baby's Brain Develops.....14

Research Findings.....	15
Instructions for Playing Music to Your Unborn Baby.....	17
Playing Music to Your Newborn Baby.....	19
Instructions for Talking, Singing, and Reading to Your Unborn Baby.....	19
Frequently Asked Questions.....	20
Endnotes.....	21
Schedule of Music Played.....	22

**SECTION III:
ADDITIONAL PRODUCT INFORMATION**

Tips for Using the Prenatal Heart Listener®.....	23
Care and Cleaning.....	23
Troubleshooting.....	24
Technical Specifications.....	26
Disclaimer.....	27
Limited Product Warranty.....	27
Also Available from Bébésounds®.....	30
En Español.....	32

PLEASE READ THE FOLLOWING TO ENJOY OUR PRODUCT

- Please have patience. This product requires a little time but the results are wonderful. You should start using it at the beginning of your third trimester.
- What you will hear through our Prenatal Heart Listener® will be the natural sounds of your baby. Your doctor uses Doppler ultrasound equipment which produces artificial noise by turning movement into sound. Our Prenatal Listener® amplifies the actual sounds of your baby.
- The best time to listen is 3 to 4 hours after eating and when you are relaxed.
- The Prenatal Heart Listener® must be used in a very quiet room.
- Placing the volume control at a low to moderate level will produce the best results and avoid static.
- You might not hear your baby's sounds immediately so don't be disappointed. The more you use the Prenatal Heart Listener®, the better you will become at finding the sounds. Your baby's position will also greatly affect your success. The best position is with your baby's back to your belly button. Your success will also depend on how relaxed you are. You may have to try several times before you will hear your baby's sounds, particularly the heartbeat.
- Your baby's heartbeat does not sound like your own. A fetal heart beats from 120-180 times per minute. It will sound like a soft, rapidly beating drum or a galloping horse.
- You will also hear kick, hiccups, and nutrients passing through the placenta. Kicks sound like uneven thumps, hiccups like two rapid drumbeats, and the nutrients like a whooshing sound.

- The provided headset is specially designed to be used with your Prenatal Heart Listener®. Do not use any other headset.
- Our Prenatal Heart Listener® is completely safe for you and your baby. It does not use any AC current, ultrasound, or radio waves.

SECTION I: LISTENING TO YOUR UNBORN BABY

INTRODUCTION

Thank you for purchasing our BébéSounds® Prenatal Heart Listener®. Please read the following material carefully to maximize your enjoyment of this product.

It is important to understand that many factors affect what you will hear with your Prenatal Heart Listener®. The position of your baby, your baby's weight, your weight, your stage of pregnancy, and where you place the Prenatal Listener® will all affect what you will hear.

For example, when listening for the fetal heartbeat, the sound will be loudest in the third trimester and if your baby is positioned with her back to your belly button. Your baby may naturally shift position, thereby creating the situation where you will hear your baby one moment but not the next. However, once you've passed the second trimester, your baby will be growing very rapidly and you will hear the heartbeat and all the other sounds on a much more regular basis.

Don't worry! It's quite normal that there will be times you will not be able to hear your baby's sounds due to your baby's position or stage of development. This is especially true of the heartbeat which is highly dependent on your baby's position.

CONTENTS

fig.1



prenatal heart listener*

fig.2



foam cover

fig.3



two headsets

fig.4



recording cable

fig.5



fetal speakers

fig.6



fetal microphone

fig.7



0

fig.8



prenatal & postnatal CD

fig.9



adapter

IDENTIFYING THE FETAL SOUNDS YOU WILL HEAR

You will hear kicks, hiccups, nutrients passing through the placenta, and, of course, the heartbeat. Each one is distinctive and being able to identify them will significantly enhance your experience.

The best way to describe each sound is as follows:

- Heartbeat: A very soft rapidly beating drum or a galloping horse
- Kicks: A series of uneven thumps
- Hiccups: Two rapid, soft drumbeats
- Nutrients: A whooshing sound

A fetal heart beats from 120 to 180 times a minute while the heart of a pregnant woman beats approximately 100 times a minute. Knowing this should help prevent you from confusing your own heartbeat with that of your baby's.

WHEN YOU WILL HEAR THESE SOUNDS

The fetal heartbeat, kicks and hiccups may be heard from the beginning of your third trimester. You will need to listen very carefully for your baby's heartbeat as it may be extremely difficult to hear it over the beating of your own heart. The sound of your own bowels may also interfere with your ability to hear the heartbeat. While the Prenatal Heart Listener[®] is specially designed to tune out these sounds, they can still get in the way. This is why the best time to listen is 3 to 4 hours after a meal and when you are relaxed and have a slower heartbeat.

Remember, as your baby grows and gets stronger, so do the sounds she creates. You will also become more familiar with the sounds so they will be easier to identify.

PRENATAL HEART LISTENER® VS. DOPPLER

You will notice that the sounds you hear through the Prenatal Heart Listener® are different from those you hear at your doctor's office. This is because your doctor probably uses Doppler ultrasound equipment which creates electronic noise based on movement. The Prenatal Listener®, however, is designed to amplify the sounds naturally by using the absolutely safe Bell stethoscope method of amplification. Again, the heartbeat heard through the Prenatal Listener® sounds more like the soft, rapid beating of a drum, while the Doppler sound is more of a gushing noise. Please keep in mind that it will take a little practice to pick up this faint sound so listen very carefully.

RECORD YOUR BABY'S SOUNDS & YOUR OWN HEARTBEAT

With our recording cable and your own recorder you can record your baby's sounds. We also encourage you to record your own heartbeat prior to your baby being born. You will then be able to play it back to your newborn after birth which may have a calming and soothing effect.

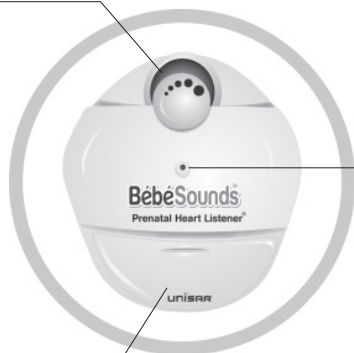
INSTRUCTIONS FOR LISTENING TO YOUR UNBORN BABY

(See Figs. 10 and 11)

1. Remove the battery cover and install a new 9-volt battery (not included). We recommend using a new battery as an old one will severely interfere with the performance of your Prenatal Heart Listener[®]. Be sure to match positive (+) to positive (+) and negative (-) to negative (-). Replace the battery cover.
2. Insert the headset plug into either jack on the unit and put the headset on. For two people to listen at the same time, insert the second headset plug into the other jack.
3. Be sure the foam cover is in place on the listening cone. Hold the listening cone to your stomach or lower back. Use the Prenatal Listener[®] on bare skin in a quiet room.
4. Turn the Prenatal Heart Listener[®] on by turning the Power/Volume control wheel to the right until you hear a click. The red power indicator on the front will light up to indicate the unit is in the ON position.
5. Adjust the volume to optimize the listening level and amplification. Begin with a low to moderate level to avoid static.
6. Start by placing the listening cone two inches below and several inches to the right of your belly button. Gently move the unit one inch at a time to different places until you find the best position for listening to your baby's sounds. Before moving the Prenatal Listener[®], turn the volume level down to the lowest position to avoid the sound of the cone moving against your skin.
7. When you are finished, turn the Power/Volume control wheel all the way to the left until you hear a click to turn the Prenatal Listener[®] off. The red power indicator light will turn off.

fig.10

power/volume control



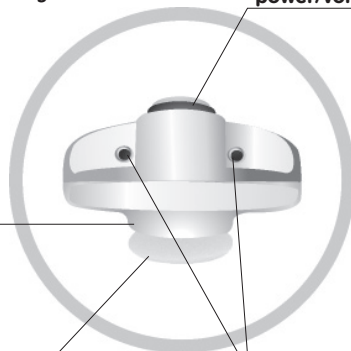
power indicator

battery compartment

fig.11

power/volume control

listening cone



foam cover

headset jack

INSTRUCTIONS TO RECORD YOUR BABY'S SOUNDS

(See Figs. 10 and 11)

1. Plug the L-shaped end of the recording cable into either jack of the Prenatal Listener[®]. Plug the straight end into the line input of your recorder (some portable recorders do not provide this input).
2. Set up your Prenatal Heart Listener[®] for listening to your baby.
3. Adjust the recording level on your recorder if necessary.
4. Hold the Prenatal Listener[®] very still and begin recording. Remember, the sound of your heartbeat can have a very calming and soothing effect on your baby. You may want to record your own heartbeat before your baby is born. You will then be able to play back your recorded heartbeat to your baby after birth. We recommend a 30-minute recording. **NOTE:** You will need to reduce the volume when you record your own heartbeat since it is much louder than that of your unborn baby's.

INSTRUCTIONS TO RECORD & EMAIL YOUR BABY'S SOUNDS WITH YOUR COMPUTER

(See Figs. 10 and 11)

1. Plug the L-shaped end of the recording cable into either jack on the Prenatal Listener[®]. Plug the straight end into the microphone jack on your computer. This is indicated by a picture of a microphone near the jack or the jack is color coded pink on the back of your computer.
2. On your computer, go to **START, PROGRAMS, ACCESSORIES, ENTERTAINMENT (or MULTIMEDIA), SOUND RECORDER.**

3. Set up your Prenatal Heart Listener® for listening to your baby.
4. Press the red recording button in the SOUND RECORDER program to begin recording a one-minute sound file. You are now recording your baby's sounds.
5. After one minute, the recording will finish. Name and save your sound file in an appropriate folder. You can now email your sound file to family and friends.

SECTION II: TALKING & PLAYING MUSIC TO YOUR UNBORN BABY

INTRODUCTION

Research into the benefits of stimulating your unborn baby has been done worldwide and it is now believed that your baby can learn while still in your womb. While most of the attention in the past has focused on the positive results of infant stimulation, it is very important not to overlook the potential benefits of prenatal stimulation.

Studies have shown that a prenatally stimulated baby tends to display faster visual, linguistic, and motor development than a baby who was not stimulated. Research has also shown that the brain of the prenatally stimulated baby tends to be more developed, thereby providing a better foundation for the child to have a higher IQ and intelligence level.

Prenatal stimulation can come from playing classical music, talking, or singing to your baby, and even rubbing your stomach. "The most effective way to stimulate your baby and enhance her brain development while still in the womb is through sound."¹

Dr. Norman A. Ravski, Assistant Clinical Professor, Department of Obstetrics and Gynecology at Yale University School of Medicine, and Attending Physician at Yale New Haven Hospital, has endorsed playing classical music to your baby. In his endorsement, Dr. Ravski states, "In-utero fetal acoustic stimulation has been shown to improve pregnancy outcomes as well as benefit the growing fetus." The Bébésounds® Prenatal Gift Set enables you to direct our specially selected classical music through your womb to your baby with our Fetal Speakers.

It is also believed that your newborn baby will recognize the voices of her parents immediately after birth if they are heard while in the womb. In addition to stimulating your baby, talking to her will help your baby's father bond with her. Talk and sing to your unborn baby using the Bébésounds® Fetal Speakers and Microphone, which will amplify your voices so they will be heard over the other noises inside the womb.

When speaking to your baby, keep in mind that the first step in your baby's development of language skills is the recognition of intonations so it is important for both parents to speak to their child. Although the mother's voice tends to be more melodic and is constantly heard, the father's voice is louder and deeper and penetrates the womb more easily.

It is always a good idea to keep your doctor informed of what you are doing during your pregnancy. Therefore, we encourage you to inform your doctor that you will be stimulating your unborn baby with the Bébésounds® Prenatal Gift Set.

HOW YOUR UNBORN BABY DEVELOPS

First Trimester: The embryo begins to develop; the head and limbs start to form; head, body, and limbs begin to move (you won't feel this movement yet); nervous system that deals with equilibrium and spatial

relations begins to develop; and heart begins to beat more strongly.

Second Trimester: The head develops more actively than the rest of the body; eyes respond to light; key organs mature; fetus reacts to music and loud noise; arms and legs are moving strongly enough so you can feel them; fetus can hear and the ability to learn significantly increases; signs of memory and the ability to respond to various stimuli are apparent; and music has a calming effect while harsh sounds have an agitating effect.

Third Trimester: The nervous system has matured and becomes fully formed; brain enters a rapid growth phase; movements are more coordinated and muscles are stronger; fetus moves to the rhythm of music; sight has developed and response to light is evident; movement is less frequent but stronger toward the end of the ninth month; and growth and development continue until birth.

HOW YOUR UNBORN BABY'S BRAIN DEVELOPS

Your baby's brain begins developing almost immediately and by the fifth month the number of brain cells your baby will have for the rest of her life is determined. From this point forward, her brain develops by increasing the size and complexity of the cells already created. Around the eighth month, your unborn baby's brain changes significantly. At this time, it doubles in weight and the connections between the brain cells, known as synapses, become even more complex.

The following is the structure of a brain cell:

Dendrites: receive messages from the body

Cell body: decides whether to send the message received from the dendrites or to store it

Axons: transmit messages received from the cell body

As the cells get larger, the axons grow longer and the dendrites become an increasingly complex system of multiple connections like branches of a tree. The more stimulation the cells receive, the more complex these dendrites become, resulting in a more developed brain.

The number of brain cells your baby is born with helps determine her potential, but it is also the number of connections between these cells that determines her final intelligence. Helping to increase the number of connections and complexity of the brain cells with stimulation increases the probability of your baby having a higher intelligence level and IQ.

RESEARCH FINDINGS

It is now known that stimulation of the senses affects the growth of the brain cells and if a fetus has little stimulation in the womb, fewer connections are made. Specialists in fetal and infant brain development have agreed that stimulating your unborn baby's senses can affect the development of the connections between the brain cells. In fact, the lack of these connections can actually cause cells to die, especially in the eighth month of pregnancy.²

By the end of the fifth month, your baby can hear and begins to learn, and you can tell when she is reacting to external stimulation. In one case, pregnant mothers actually had to leave a concert of classical music before it was over because their babies were kicking so hard in time to the music that they couldn't tolerate it.³

In another case, mothers were asked to play their favorite classical music to their unborn baby for ten minutes a day at a volume that was just a little louder than normal speaking voice. It was discovered that the babies recognized the change in their environments immediately as was evidenced by their heart rates increasing noticeably. What is also

interesting is that the unborn baby does not respond in this way to many single notes even if they are played very loud and very close to her.⁴

Yet another study showed that unborn babies who had classical music played to them from the middle of the fifth month until they were born, for ten minutes twice a day, developed more quickly, began to talk up to six months earlier, and had greater intellectual development than those babies who had not had classical music played to them inside the womb.⁵

Some women worry that if they improve the brain's development, the baby's head will be larger thereby causing an increase in the risk of delivery problems. In fact, there is reason to believe the opposite is true. Prenatal sound stimulation has led to shorter and less painful labor periods, a lower number of cesarean section deliveries, and a greater number of non-traumatic births.⁶ In addition, a baby who experiences prenatal stimulation tends to:

- Be calmer and more alert
- Be happier and cry less
- Have a longer attention span
- Be stronger and have better coordination
- Lift his or her head up earlier and stand earlier
- Walk earlier
- Talk earlier
- Have more self-confidence⁷

Remember, by the end of the fifth month your unborn baby begins to hear and by the sixth month, her ability to learn increases significantly. It is now time to start stimulating your baby. Keep in mind that your baby is most alert during the evening hours so you may want to play music or talk to her a few more times.

INSTRUCTIONS FOR PLAYING MUSIC TO YOUR UNBORN BABY (YOU WILL NEED YOUR OWN CD PLAYER)

The best time to play music is once in the morning and once in the evening, for a period of 5 to 10 minutes, around the same time each day. Be careful not to play the music too long or too frequently as your unborn baby also needs to rest. However, you will probably find that your baby will be very active and obviously awake during the evening.

Do not play the same music over and over again. It is believed that if your baby hears the same thing repeatedly, she will eventually ignore it. However, periodic repetition of the same music is advisable. In some cases, when the music was played after the baby was born, the newborn seemed to recognize the melody.

We suggest playing different music during each session in a single day and replaying it two or three days later. We also suggest that you keep a schedule of the music you have played showing the date, music played, and times it was played. We've provided you with a starter schedule on page 22 in this booklet.

To play music to your unborn baby, follow these easy steps (See Fig. 12):

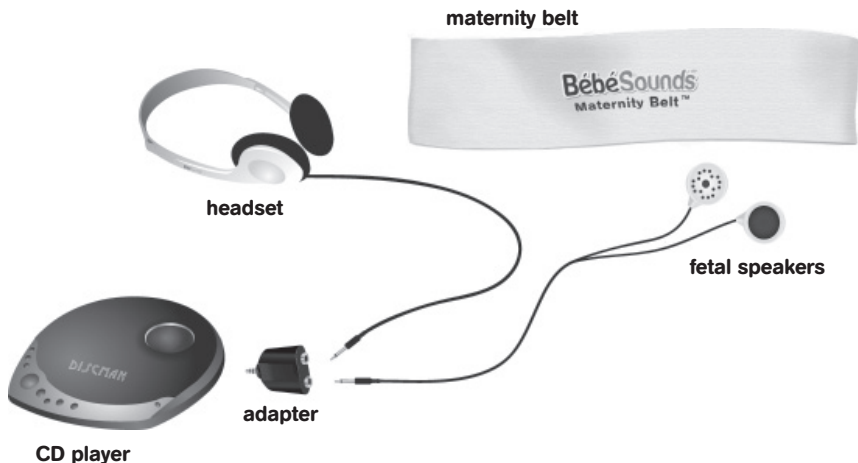
1. Connect the cable from the Fetal Speakers to the input jack on your own CD player. If you want to listen to the music at the same time, use the enclosed adapter. Plug the adapter into your CD player. Then plug the cable from the Fetal Speakers into one of the jacks on the adapter and the headset into the other jack.
2. Insert the enclosed prenatal CD of classical music in your CD player.
3. Position the Fetal Speakers against your belly. You will want to adjust the position of the speakers depending on what month of pregnancy you are in. You should be able to tell where your baby's head is by

where you feel her kicking most frequently. You may tuck the speakers into your clothing or use the Maternity Belt to hold them in place.

4. Play the music for approximately 10 minutes at a time and alternate the selections you play. Use the schedule included in this booklet as a record of what selections you have played and how frequently you played them.
5. Play the music just a little louder than you would normally play it for yourself. If it is much too loud for you, it will be too loud for your baby.

The Maternity Belt will provide you with support and additional comfort while you are doing something special for your baby. You may wear it when you are not playing music to your baby as well. Please care for it by hand washing it in cold water using a mild soap.

fig.12



PLAYING MUSIC TO YOUR NEWBORN BABY

The stimulation of your baby can continue after birth to help enhance development. Our postnatal CD contains special selections of music from a variety of classical composers. They are longer in duration than the prenatal CD because as your baby gets older she will be able to focus for longer periods of time.

INSTRUCTIONS FOR TALKING, SINGING, & READING TO YOUR UNBORN BABY

(See Fig. 13)

1. Connect the cable from the Fetal Speakers to the Fetal Microphone. The Fetal Microphone requires one AAA battery (not included).
2. Position the Fetal Speakers against your belly. You will want to adjust the position of the speakers depending on what month of pregnancy you are in. You should be able to tell where your baby's head is by where you feel her kicking most frequently. You may tuck the speakers into your clothing or use the Maternity Belt to hold them in place.
3. Be careful to speak in a normal voice. The microphone will amplify your voice so you don't have to speak too loudly as this may disturb your baby. You may also want to gently stroke your stomach while you are speaking.
4. Alternate your voice with the baby's father's voice – five minutes of yours and the five minutes of his. Speak in loving tones and repeat what you say 3 to 4 times. Repeat this a few times each day. Also read your baby a story. Choose one that you will read after she is born.

fig.13



FREQUENTLY ASKED QUESTIONS

Q: What type of music should I play?

A: The universal opinion seems to be that classical music is the best, particularly music by Mozart. That is why we have enclosed a 60-minute CD of specially selected music by Mozart.

Q: Do I have to use the Maternity Belt when playing the music?

A: Yes. For maximum benefit, the Fetal Speakers must be kept in a stationary position toward the bottom of your stomach as your baby has his/her head down in the third trimester. Our Maternity Belt is specially designed to accomplish this.

Q: How loud should I play the music or speak?

A: Because the sound must pass through the womb and be heard over the natural sounds of your body, play the music a little louder than you would for yourself. Speak in a normal voice as the microphone will amplify it.

Q: Are you sure I won't be disturbing my baby when I play music or speak to her?

A: Yes. What you will be doing is stimulating your baby and helping her brain develop. However, if you play the music or speak too long or too frequently, you will disturb your baby. Please remember your baby must have time to rest as well as develop.

Q: How soon can I start talking and playing music to my baby?

A: By the end of your fifth month of pregnancy, your baby's senses are developed enough so she can hear. Continue stimulating your baby from the end of the fifth month until she is born.

ENDNOTES

1. Jay Gordon, M.D. and Brenda Adderly, M.H.A., *Brighter Baby* (Washington, DC: Lifeline Press, 1999), 79.
2. Dr. Susan Ludington-Hoe with Susan K. Golant, *How to Have a Smarter Baby* (New York: Bantam Books, 1987), 39.
3. Dr. Susan Ludington-Hoe with Susan K. Golant, *How to Have a Smarter Baby* (New York: Bantam Books, 1987), 18.
4. Dr. Susan Ludington-Hoe with Susan K. Golant, *How to Have a Smarter Baby* (New York: Bantam Books, 1987), 18.
5. Dr. Sarah Brewer, *Super Baby* (London: Thorsons, 1998), 70.
6. Dr. Sarah Brewer, *Super Baby* (London: Thorsons, 1998), 97-98.
7. Dr. Sarah Brewer, *Super Baby* (London: Thorsons, 1998), 229.

SCHEDULE OF MUSIC PLAYED

date

time played

music played

SECTION III: ADDITIONAL PRODUCT INFORMATION

TIPS FOR USING THE PRENATAL HEART LISTENER®

- The Prenatal Heart Listener® has powerful amplification capabilities required to pick up the quiet sounds produced by your baby. To protect your ears and prevent feedback (squealing sounds), do not turn on the unit unless the listening cone is pressed against your body.
- There are many different sounds being produced by your baby and your body. Increasing the volume also increases these sounds. Keeping the volume at a moderate level usually produces the best results; therefore, adjust the volume carefully.
- Your baby's heartbeat is a very low volume sound and is very difficult to detect until the third trimester. Patience and very careful listening are required to locate the best position to hear the heartbeat. It is perfectly normal to hear it on some days and not others due to your baby's position and movements. It is also normal that you will hear it one moment and not the next. Don't worry! It is very natural for your baby to shift her position.

CARE & CLEANING

- To clean your Prenatal Heart Listener®, simply wipe with a soft dry or slightly damp cloth. Do not submerge in water or any other liquid.
- Store in a cool dry place.
- Keep out of the reach of children when not in use.
- Do not disassemble the Prenatal Heart Listener®.
- Only use a 9-volt alkaline battery.

- During long periods of non-use, remove battery from the compartment.
- Please dispose of batteries properly and safely.
- Do not use or place open flames such as lighted candles on or near the unit.
- The Prenatal Heart Listener® should be used in normal room temperature. Do not use in extreme heat or cold.

TROUBLESHOOTING

1. You cannot hear your unborn baby with your Prenatal Heart Listener®.
 - a. It may be too early in your pregnancy to hear your baby. Wait until you are in your third trimester when the fetal heartbeat starts becoming louder.
 - b. It is quite normal not to hear your baby due to her position. Try again later. The best time to listen is 3 to 4 hours after a meal and when you are relaxed. You may also want to try placing the Prenatal Heart Listener® against your lower back as this may help minimize interference from your own body's sounds.
 - c. Unit is not on. Turn unit on by turning the Power/Volume control wheel to the right until you hear a click and the red power indicator lights up.
 - d. Volume control is turned down. Increase the volume by turning the Power/Volume control wheel to the right.
 - e. The headset is not connected to the monitor. Make sure the headset is securely plugged into either jack on the monitor.
 - f. Battery is low. Red power indicator light will dim. Insert a new 9-volt alkaline battery.
 - g. Battery is not inserted properly. Open the battery compartment and check to see that positive (+) is matched with positive (+) and negative (-) is matched with negative (-).

- h. Foam cover is not in place on the listening cone. Make sure the foam cover is on the listening cone.
 - i. There is foreign matter in the listening cone. Remove the foam cover and make sure there is nothing in the listening cone.
2. There is feedback (squealing noises) when you use your Prenatal Heart Listener®.
- a. The volume is too high. Turn the volume down by turning the wheel to the left.
 - b. Lower the volume before moving the Prenatal Listener® against your skin.
3. You cannot record from your Prenatal Heart Listener®.
- a. The recording cable is not plugged in correctly. Make sure the L-shaped end of the recording cable is securely plugged into either jack on the Prenatal Listener® and the straight end into the line input of your recorder.
 - b. The recorder is not working. Make sure the recorder works. Replace batteries if necessary.
 - c. The volume control is turned down on your recorder. Increase the volume.
4. There is too much background noise and it makes a scratching sound when you move it.
- a. Turn the volume down BEFORE you move the Prenatal Heart Listener® from one spot to the next and don't turn it up again until you are no longer moving it against your stomach.

TECHNICAL SPECIFICATIONS

- For home use only.
- The Prenatal Heart Listener® requires one 9-volt battery (not included).
- The Fetal Microphone requires one AAA battery (not included).
- Manufacturer and battery information is also located on the inside wall of the battery compartment.

Applied Standards and Approvals

This product conforms to the provisions of the Electromagnetic Compatibility Directive (89/336/EEC).

The following standards apply to the design and/or manufacturing of this product:

- EN60065:2002: Audio, video and similar electronic apparatus. Safety requirements.
- EN55013:2001: Sound and television broadcast receivers and associated equipment. Radio disturbance characteristics. Limits and methods of measurement.
- EN55020:2002: Sound and television broadcast receivers and associated equipment. Immunity characteristics. Limits and methods of measurement.



DISCLAIMER

THE BÉBÉSOUNDS® PRENATAL HEART LISTENER® IS NOT A MEDICAL DEVICE.

The BébéSounds® Prenatal Heart Listener® is not a medical device and should not be used or relied upon in any way for diagnostic or other medical purposes. Any concerns about your pregnancy should be addressed with a medical practitioner. The BébéSounds® Prenatal Heart Listener® is not intended to be and should not be used as a substitute for regular prenatal care by an appropriate medical practitioner. You are encouraged to seek such prenatal care in connection with your pregnancy. The BébéSounds® Prenatal Heart Listener® should be used only in accordance with the instructions provided herein, and the manufacturers and distributors of the BébéSounds® Prenatal Heart Listener® are not responsible for inappropriate use. The manufacturer expressly disclaims liability for incidental, consequential, or special damages of any nature.

LIMITED PRODUCT WARRANTY

Register your product warranty online at www.bebesounds.com.

Unisar Inc., the distributor of the BébéSounds® Prenatal Heart Listener®, warrants to the original owner of this product that this product is free from defects in materials and workmanship for a period of three (3) months from the date of the original purchase. If this product fails to function properly when used as directed under normal conditions within the three-month period, Unisar Inc. will either repair or replace the product, at its option, free of charge, when it is returned in its original packaging, postage prepaid, with proof of purchase. Unisar Inc. will bear the cost of repairing or replacing the product and shipping it back to you within the United States. Repair or replacement of the defective item is subject to verification of the malfunction or defect when delivered to:

Unisar® Service Center
15 West 36th Street
New York, NY 10018

NOTE: The warrantor expressly disclaims liability for incidental, consequential, or special damages of any nature. This warranty does not cover 1) A defect that has been caused by repair or modification by any person other than a Unisar® technician; 2) A defect caused by negligence, accident, or misuse of the product; 3) A defect caused by incorrect installation of and/or defective batteries; 4) Battery life; or 5) Damage resulting from improper operation.

LEGAL RIGHTS VARY FROM STATE TO STATE.

NOTE: This warranty is only valid for products sold in the United States. If you have purchased your product outside of the United States, please see your local retailer or distributor for service.

If you believe your Prenatal Heart Listener® is defective or otherwise not operating properly, please check the battery first. Defective or exhausted batteries are the leading cause of problems with this item and are not covered by this limited warranty. If it is still not operating properly or if you have other technical problems, please contact the Bébésounds® Help Desk at 1-888-232-6476 Mon-Fri from 9:00AM-5:00PM EST.

The Bébésounds® Prenatal Heart Listener® is subject to United States patent and related foreign counterparts.

ÍNDICE DE CONTENIDOS

Por Favor Lea lo Siguiete para Disfrutar de Nuestro Producto.....34

SECCIÓN I: ESCUCHANDO A SU BEBÉ POR NACER

Introducción.....35

Contenidos.....36

Identificando los Sonidos Fetales Que Usted Escuchará.....37

Cuándo Escuchará Usted Estos Sonidos.....37

Monitor Cardíaco Prenatal vs. Doppler.....38

Grabe los Sonidos de Su Bebé y Sus Propios Latidos Cardíacos.....38

Instrucciones para Escuchar a Su Bebé Por Nacer.....39

Instrucciones para Grabar los Sonidos de Su Bebé.....41

Instrucciones para Grabar y Enviar por Correo Electrónico
los Sonidos de Su Bebé con Su Computadora.....41

SECCIÓN II: HABLANDO Y HACIÉNDOLE ESCUCHAR MÚSICA A SU BEBÉ POR NACER

Introducción.....42

Cómo Se Desarrolla Su Bebé Por Nacer.....44

Cómo Se Desarrolla El Cerebro de Su Bebé Por Nacer.....44

Hallazgos de Investigación.....	45
Instrucciones para Hacerle Escuchar Música a Su Bebé Por Nacer.....	47
Haciéndole Escuchar Música a Su Bebé Recién Nacido.....	49
Instrucciones para Hablar, Cantar y Leerle a Su Bebé Por Nacer.....	50
Preguntas Frecuentes.....	51
Libros de Referencia.....	52
Cronograma de Música Reproducida.....	53

**SECCIÓN III:
INFORMACIÓN DE PRODUCTO ADICIONAL**

Consejos para Usar el Monitor Cardíaco Prenatal.....	54
Cuidados y Limpieza.....	54
Solución de Problemas.....	55
Especificaciones Técnicas.....	57
Exención de Responsabilidades.....	58
Garantía Limitada del Producto.....	58
También Disponibles de BébéSounds®	62

POR FAVOR LEA LO SIGUIENTE PARA DISFRUTAR DE NUESTRO PRODUCTO

- Por favor tenga paciencia. Este producto requiere de algo de tiempo pero los resultados son maravillosos. Usted debería comenzar a usarlo al inicio de su tercer trimestre.
- Lo que usted escuchará a través de nuestro Monitor Cardíaco Prenatal serán los sonidos naturales de su bebé. Su doctor usa equipos de ultrasonido Doppler que producen ruido artificial convirtiendo el movimiento en sonido. Nuestro Monitor Prenatal amplifica los sonidos reales de su bebé.
- El mejor momento para escuchar es entre las 3 a 4 horas después de comer y cuando usted esté relajada.
- El Monitor Cardíaco Prenatal debe ser usado en una habitación muy silenciosa.
- Colocar el control de volumen en un nivel bajo a moderado producirá los mejores resultados y evitará la estática.
- Usted quizá no escuche los sonidos de su bebé de inmediato pero no se decepcione. Cuanto más use usted el Monitor Cardíaco Prenatal, más habilidad desarrollará para encontrar los sonidos. La postura de su bebé también determinará su éxito en gran medida. La mejor postura es con la espalda de su bebé contra su ombligo. Su éxito también dependerá de qué tan relajada se encuentre usted. Usted quizá deba intentarlo varias veces antes de escuchar los sonidos de su bebé, particularmente los latidos cardíacos.
- Los latidos cardíacos de su bebé no suenan como los de usted. Un corazón fetal late entre 120 y 180 veces por minuto. Sonará como un tambor suave, golpeando rápidamente o como un caballo galopando.

- Usted también escuchará patadas, hipos y nutrientes pasando a través de la placenta. Las patadas suenan como golpes desiguales, los hipos como dos golpes de tambor rápidos, y los nutrientes como un sonido de chorro.
- El auricular provisto está especialmente diseñado para ser usado con su Monitor Cardíaco Prenatal. No use cualquier otro auricular.
- Nuestro Monitor Cardíaco Prenatal es completamente seguro para usted y su bebé. No utiliza corriente AC, ultrasonido ni ondas de radio.

SECCIÓN I: ESCUCHANDO A SU BEBÉ POR NACER

INTRODUCCIÓN

Gracias por comprar nuestro Monitor Cardíaco Prenatal Bébésounds®. Por favor lea el siguiente material cuidadosamente para maximizar su aprovechamiento de este producto.

Es importante entender que muchos factores afectan lo que usted escuchará con nuestro Monitor Cardíaco Prenatal. La postura de su bebé, el peso de su bebé, su peso, la fase de su embarazo, y dónde usted coloque el Monitor Prenatal afectarán lo que usted escuche.

Por ejemplo, al escuchar los latidos cardíacos fetales, el sonido será más alto en el tercer trimestre y si su bebé está en una postura con su espalda contra su ombligo. Naturalmente su bebé puede cambiar de posición, creando por lo tanto la situación en que usted escuchará a su bebé en un momento pero no al siguiente. Sin embargo, una vez que usted haya pasado el segundo trimestre, su bebé estará creciendo con mucha rapidez y usted escuchará los latidos cardíacos y todos los demás sonidos en forma mucho más regular.

¡No se preocupe! Es bastante normal que haya ocasiones en que usted no podrá escuchar los sonidos de su bebé debido a la postura de su bebé o a la etapa de su desarrollo. Esto es especialmente cierto en el caso del latido cardíaco el cual depende principalmente de la postura de su bebé.

CONTENIDOS

fig.1



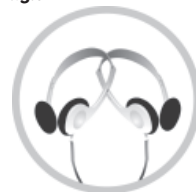
monitor cardíaco prenatal

fig.2



cubierta de espuma

fig.3



dos auriculares

fig.4



cable de grabación

fig.5



altoparlantes fetales

fig.6



micrófono fetal

fig.7



cinturón de maternidad

fig.8



CD prenatal y postnatal

fig.9



adaptador

IDENTIFICANDO LOS SONIDOS FETALES QUE USTED ESCUCHARÁ

Usted escuchará patadas, hipos, nutrientes pasando a través de la placenta, y, por supuesto, los latidos cardíacos. Cada uno es distintivo y tener la capacidad de identificarlos mejorará significativamente su experiencia.

La mejor manera de describir cada sonido es la siguiente:

Latidos Cardíacos: Un tambor muy suave golpeando rápidamente o un caballo galopando

Patadas: Una serie de golpes desiguales

Hipos: Dos golpes de tambor rápidos y suaves

Nutrientes: Un sonido de chorro

Un corazón fetal late de 120 a 180 veces por minuto mientras que el corazón de una mujer embarazada late aproximadamente 100 veces por minuto. Saber esto debería ayudarle a evitar confundir sus propios latidos cardíacos con los de su bebé.

CUÁNDO ESCUCHARÁ USTED ESTOS SONIDOS

El latido cardíaco fetal, las patadas y los hipos pueden ser escuchados desde el inicio de su tercer trimestre. Usted necesitará escuchar muy atentamente el sonido de los latidos cardíacos de su bebé ya que podría ser extremadamente difícil escucharlos por encima de los latidos de su propio corazón. El sonido de sus propias entrañas también puede interferir con su capacidad de escuchar los latidos cardíacos. Si bien el Monitor Cardíaco Prenatal está especialmente diseñado para dispersar estos sonidos, los mismos podrían interferir de todas maneras. Es por eso que el mejor momento para escuchar es de 3 a 4 horas después de una comida y cuando usted esté relajada y tenga un ritmo cardíaco más lento.

Recuerde, a medida que su bebé crece y se pone fuerte, lo mismo sucede con los sonidos que crea. Usted también se irá familiarizando con los sonidos de modo tal que serán más sencillos de identificar.

MONITOR CARDÍACO PRENATAL VS. DOPPLER

Usted notará que los sonidos que escuchará a través del Monitor Cardíaco Prenatal son diferentes de aquellos que escucha en el consultorio de su doctor. Esto se debe a que su doctor usa equipos de ultrasonido Doppler que crean ruido electrónico basado en el movimiento. El Monitor Prenatal, sin embargo, está diseñado para amplificar los sonidos usando el método de amplificación totalmente seguro del estetoscopio Bell. Repetimos, los latidos cardíacos escuchados a través del Monitor Prenatal suenan similares al golpeteo suave y rápido de un tambor, mientras que el sonido Doppler es mucho más efusivo. Por favor tenga en cuenta que hará falta un poco de práctica para captar este leve sonido así que escuche con mucha atención.

GRABE LOS SONIDOS DE SU BEBÉ Y SUS PROPIOS LATIDOS CARDÍACOS

Con nuestro cable de grabación y su propia grabadora, usted puede grabar los sonidos de su bebé. También le sugerimos que grabe sus propios latidos cardíacos antes que nazca su bebé. De ese modo, usted podrá reproducírselos a su bebé recién nacido después del nacimiento lo cual tendrá un efecto tranquilizador.

INSTRUCCIONES PARA ESCUCHAR A SU BEBÉ POR NACER

(Ver Figs. 10 y 11)

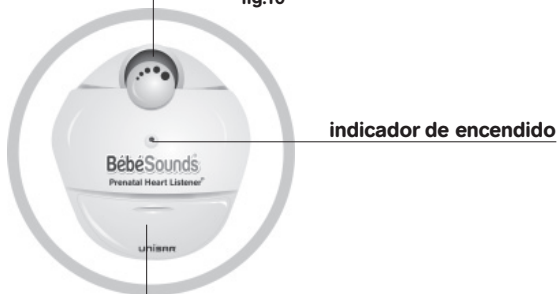
1. Retire la cubierta de la batería e instale la batería de 9 voltios (no incluida). Recomendamos usar una batería nueva ya que una vieja puede interferir gravemente con el funcionamiento de su Monitor Cardíaco Prenatal. Asegúrese de hacer coincidir el positivo (+) con el positivo (+) y el negativo (-) con el negativo (-). Vuelva a colocar la cubierta de la batería.
2. Inserte el conector de los auriculares en cualquiera de los enchufes de la unidad y colóquese los auriculares. Para que dos personas puedan escuchar al mismo tiempo, inserte el segundo conector de auriculares en el otro enchufe.
3. Asegúrese que la cubierta de espuma esté colocada en el cono de e cucha. Sostenga el cono de escucha contra su estómago o baja espalda. Use el Monitor Prenatal sobre la piel desnuda en una habitación silenciosa.
4. Encienda el Monitor Cardíaco Prenatal girando la perilla de control de Encendido/Volumen hacia la derecha hasta que oiga un clic. El indicador de encendido rojo al frente se encenderá para indicar que la unidad está en posición de ENCENDIDA.
5. Ajuste el volumen para optimizar el nivel de escucha y amplificación. Comience con un nivel de bajo a moderado para evitar la estática.
6. Comience colocando el cono de escucha a dos pulgadas por debajo y varias pulgadas hacia la derecha de su ombligo. Suavemente mueva la unidad una pulgada a la vez hacia diferentes lugares hasta que encuentre la mejor posición para escuchar los sonidos de su bebé. Antes de mover el Monitor Prenatal, baje el nivel de volumen hasta la

posición más baja para evitar el sonido del cono moviéndose contra su piel.

7. Cuando haya terminado, gire la perilla de control de Encendido/ Volumen al máximo hacia la izquierda hasta que oiga un clic para que el Monitor Cardíaco Prenatal quede apagado. La luz roja del indicador de encendido se apagará.

control de encendido/volumen

fig.10

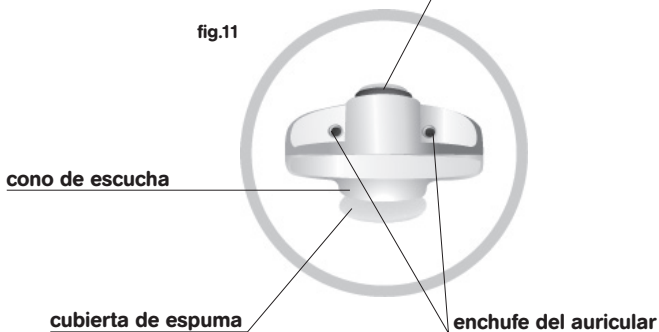


indicador de encendido

compartimiento de la batería

**control de encendido/
volumen**

fig.11



cono de escucha

cubierta de espuma

enchufe del auricular

INSTRUCCIONES PARA GRABAR LOS SONIDOS DE SU BEBÉ

(Ver Figs. 10 y 11)

1. Conecte el extremo en forma de L del cable de grabación en cualquiera de los enchufes del Monitor Prenatal. Conecte el extremo recto en la entrada de línea de su grabadora (algunas grabadoras portátiles no vienen con esta entrada).
2. Prepare su Monitor Cardíaco Prenatal para escuchar a su bebé.
3. Ajuste el nivel de grabación de su grabadora de ser necesario.
4. Sostenga el Monitor Prenatal muy quieto y comience a grabar. Recuerde, el sonido de sus latidos cardíacos puede tener un efecto muy tranquilizador y calmante sobre su bebé. Usted puede grabar sus propios latidos cardíacos antes que nazca su bebé. Entonces podrá hacerle escuchar sus latidos cardíacos grabados a su bebé después del nacimiento. Recomendamos una grabación de 30 minutos. **NOTA:** Usted necesitará reducir el volumen cuando grabe sus propios latidos cardíacos ya que son mucho más altos que los de su bebé por nacer.

INSTRUCCIONES PARA GRABAR Y ENVIAR POR CORREO ELECTRÓNICO LOS SONIDOS DE SU BEBÉ CON SU COMPUTADORA

(Ver Figs. 10 y 11)

1. Conecte el extremo en forma de L del cable de grabación en cualquiera de los enchufes del Monitor Prenatal. Conecte el extremo recto en el enchufe de micrófono de su computadora. Esto está indicado por la imagen de un micrófono cerca del enchufe o el enchufe tiene un código de color rosa en la parte posterior de su computadora.

2. En su computadora, vaya a INICIO, PROGRAMAS, ACCESORIOS, ENTRETENIMIENTOS (o MULTIMEDIA), GRABADORA DE SONIDOS.
3. Prepare su Monitor Cardíaco Prenatal para escuchar a su bebé.
4. Oprima el botón rojo de grabación en el programa de la GRABADORA DE SONIDOS para comenzar a grabar un archivo de sonido de un minuto. Ahora usted está grabando los sonidos de su bebé.
5. Después de un minuto, la grabación terminará. Nombre y guarde su archivo de sonido en una carpeta apropiada. Ahora usted puede enviar su archivo de sonido por correo electrónico a sus familiares y amigos.

SECCIÓN II: HABLANDO Y HACIÉNDOLE ESCUCHAR MÚSICA A SU BEBÉ POR NACER

INTRODUCCIÓN

Investigaciones realizadas acerca de los beneficios de estimular a los bebés antes de nacer a sido realizada mundialmente, y ahora hay pruebas de que los bebés pueden aprender mientras se encuentran adentro el útero. Por lo tanto, mientras que en el pasado la atención estaba concentrada en la estimulación infantil, es muy importante prestar atención a los beneficios de la estimulación prenatal.

Estudios han mostrado que el bebé estimulado prenatalmente muestra un más rápido desarrollo visual, lingüístico, y motriz que los bebés no estimulados. Adicionalmente, estudios han mostrado que el cerebro de un bebé estimulado prenatalmente tiene una tendencia a estar más desarrollado, mostrando como resultado un mayor porcentaje de posibilidades de que el bebé tenga un mayor nivel intelectual e inteligencia.

La estimulación puede provenir de: tocar cierta clase de música clásica (considerada una de las mejores fuentes de estimulación), hablar a su bebé, y también de frotar el estomago de la madre. “La mejor forma de estimular a su bebé y mejorar el desarrollo de su cerebro mientras esta dentro de útero de la madre con sonidos”¹

El BébéSounds® Monitor Cardíaco Prenatal le permite tocar música clásica directamente a su bebé a través de Altoparlantes Fetales. “Estos han sido aprobados por el Dr. Norman A. Ravski, Profesor de Asistencia Clínica, Departamento de Obstetricia y Ginecología de la Escuela de Medicina de la Universidad de Yale, y Doctor del Hospital Yale New Haven.

En su aprobación el Dr. Ravski declara que “Dentro del útero la estimulación acústica ha demostrado mejorar los resultados del embarazo como también los beneficios del crecimiento del feto... Creo que este producto va a mejorar tanto la comodidad de la mujer embarazada como la del feto creciendo dentro del útero.”

Es un hecho que el bebé recién nacido reconocerá las voces de sus padres inmediatamente solo si el los ha escuchado antes dentro del útero de la madre. El BébéSounds® Monitor Cardíaco Prenatal le permite dirigir las vices directamente a su bebé, todavía dentro del útero de la madre, a través de nuestro Micrófono y Altoparlantes Fetales. El primer paso en el desarrollo lingüístico de su bebé es el reconocimiento de entonaciones por lo cual, es importante para ambos padres hablar a su bebé. Aunque la voz de la madre es por lo general más melódica y es constantemente escuchada, la voz del padre es más potente y profunda lo cual genera una mayor penetración en el útero.

Es siempre una buena idea mantener informado a su medico de lo Ud. esta haciendo durante su embarazo. Por lo tanto, nuestra sugerencia es informar a su medico que Ud. va a estar usando el Monitor Cardíaco Prenatal.

CÓMO SE DESARROLLA SU BEBÉ POR NACER

Primer Trimestre: El embrión comienza a desarrollar su cabeza y miembros (Ud. no sentirá los movimientos), el sistema nervioso que se encarga del equilibrio y espacio comienza a desarrollarse, y el corazón comienza a latir mas fuertemente.

Segundo Trimestre: La cabeza se desarrolla mas activamente que el resto del cuerpo; los ojos responden a la luz ; los órganos importantes se desarrollan; el feto reacciona a sonidos fuertes y a música; los brazos y piernas se mueven tan fuertemente que la madre puede sentirlos; el feto puede oír y la habilidad de aprendizaje se incrementa significativamente; la capacidad de memoria y la habilidad de responder a estímulos se hacen presentes; la música calma al feto, mientras que sonidos agresivos.

Tercer Trimestre: El sistema nervioso se ha desarrollado y se ha desarrollado completamente; los movimientos son mas coordinados y los músculos son más fuertes; el feto se mueve al ritmo de la música; visión se ha desarrollado y su respuesta es evidente; el movimiento es menos frecuente pero mas fuerte cerca del fin del noveno mes; y el crecimiento y el desarrollo del bebe continúan hasta el nacimiento.

CÓMO SE DESARROLLA EL CEREBRO DE SU BEBÉ POR NACER

El cerebro de su bebé comienza a desarrollarse casi inmediatamente y para el quinto mes, la cantidad de neuronas que tendrá su bebé por el resto de su vida ya está determinada. Desde este momento en adelante, su cerebro se desarrolla incrementando el tamaño y la complejidad de las neuronas ya creadas. Alrededor del octavo mes, el cerebro de su bebé por nacer cambia significativamente. En este punto, el mismo duplica su peso y las conexiones entre las neuronas, conocidas como sinapsis, se vuelven aún más complejas.

La siguiente es la estructura de una neurona:

Dendritas: reciben mensajes del cuerpo

Cuerpo de la neurona: decide si enviar el mensaje recibido de las dendritas o almacenarlo

Axones: transmiten mensajes recibidos del cuerpo de la neurona

A medida que las neuronas crecen, los axones se hacen más grandes y las dendritas se transforman en un sistema cada vez más complejo de múltiples conexiones como las ramas de un árbol. Cuanta más estimulación reciban las neuronas, más complejas se vuelven estas dendritas, resultando en un cerebro más desarrollado.

La cantidad de neuronas con que nace su bebé ayuda a determinar su potencial, pero es también la cantidad de conexiones entre dichas neuronas lo que determina su inteligencia final. Ayudar a incrementar la cantidad de conexiones y la complejidad de las neuronas a través de la estimulación, aumenta la probabilidad de que su bebé tenga un nivel de inteligencia y Coeficiente Intelectual más elevados.

HALLAZGOS DE INVESTIGACIONES

Es un hecho que la estimulación de los sentidos afecta el crecimiento de las células cerebrales, y si el feto tiene poca estimulación dentro del útero de la madre, pocas conexiones (synapses) serán hechas. Especialistas en desarrollo del cerebro de fetos e infantes afirman que la estimulación de los sentidos de su bebé antes de nacer puede afectar el desarrollo de las conexiones entre las células cerebrales. Es más, la ausencia de esas conexiones puede causar la muerte de células, especialmente durante el octavo mes de embarazo.²

Para el fin del quinto mes su bebé puede oír y empieza a aprender, y Ud. puede darse cuenta cuando el/ella reacciona a estímulos externos.

En un caso, mujeres embarazadas tuvieron que abandonar un concierto de música clásica antes de su culminación, porque sus bebés estaban pateando tan fuertemente que no podían tolerar el dolor.³

En otras situaciones, varias madres experimentaron tocando su música clásica favorita por 10 minutos cada día un poco más fuerte del volumen normal de la voz humana. Fue descubierto que los bebés reconocieron el cambio en su medio ambiente, debido a la aceleración de sus ritmos cardiacos. Lo más interesante es que los bebés todavía no nacidos no responden de esta manera a cualquier sinfonía, aun si esta es tocada muy fuerte y muy cerca del bebé.⁴

Sin embargo, otro estudio mostró que los bebés todavía no nacidos que han sido expuestos a música clásica dos veces al día por 10 minutos, desde el quinto mes de embarazo hasta el nacimiento, se han desarrollado más rápidamente, han empezado a caminar hasta seis meses antes, y han tenido un mayor desarrollo intelectual en comparación a los bebés que no han sido expuestos a música clásica cuando estaban dentro del útero de la madre.⁵

Algunas mujeres temen que si estimulan el desarrollo del cerebro del bebé, la cabeza del bebé aumentara de tamaño, y como resultado un mayor riesgo durante el parto. En realidad existen pruebas que demuestran que lo anterior es falso. La estimulación prenatal por medio de sonidos ha causado menos dolor durante el parto, menor número de cesáreas, y un mayor número de nacimientos sin dolor.⁶ Es más, un bebé que ha sido expuesto a la estimulación prenatal tiende a mostrar:

- Ser más sereno y alerta
- Ser más feliz y llorar menos
- Prestar atención por un periodo de tiempo mas largo
- Mayor fortaleza y una mayor coordinación

- Levantar su cabeza más temprano y pararse antes
- Caminar antes
- Hablar antes
- Tener mayor confianza en sí mismo.⁷

Recuerde que para el final del quinto mes su bebé no nacido aun comienza a oír, y para el sexto mes su habilidad para aprender se incrementa significativamente. Es ahora el momento indicado para tocar la música clásica que hemos seleccionado especialmente para nuestro bebé.

INSTRUCCIONES PARA HACERLE ESCUCHAR MÚSICA A SU BEBÉ POR NACER (USTED NECESITARÁ SU PROPIO REPRODUCTOR DE CD)

La mejor hora para tocarle la música a su bebé es una vez en la mañana y otra en la noche, por un periodo de 5-10 minutos y manteniendo la misma hora todos los días. Sea cuidadoso de no tocarle la música por más tiempo o más frecuentemente de lo indicado anteriormente porque su bebé necesita descansar. Sin embargo, Ud. encontrara que su bebé es más activo a la noche.

No toque la misma música una y otra vez. Esta comprobado que si su bebé escucha la misma canción una y otra vez, el/ella ignorara la canción. Sin embargo, la repetición periódica de la misma canción es recomendable. En algunos casos cuando la misma música que el bebé escuchaba dentro el útero de la madre era tocada después de su nacimiento, el bebé parece reconocer la melodía.

Es por eso que sugerimos tocar distinta música en cada sesión por día, y repetirla dos o tres días después. También creemos conveniente mantener una lista de las canciones que se han tocado incluyendo la fecha, la canción, y la cantidad de veces que fue tocada la canción.

Nosotros incluimos una tabla para llevar registro de las canciones en la página 53 de este manual.

Para hacerle escuchar música a su bebé por nacer, siga estos sencillos pasos (Ver Fig. 12):

1. Conecte el cable de los Altoparlantes Fetales al enchufe de entrada de su propio reproductor de CD. Si usted desea escuchar la música al mismo tiempo, use el adaptador incluido. Conecte el adaptador a su reproductor de CD. Luego conecte el cable de los Altoparlantes Fetales en uno de los enchufes del adaptador y los auriculares en el otro enchufe.
2. Inserte el CD prenatal incluido de música clásica en su reproductor de CD.
3. Posición de los Altoparlantes Fetales contra su estómago. Usted deberá ajustar la posición de los altoparlantes dependiendo del mes de embarazo en que se encuentre. Usted podrá determinar dónde está la cabeza de su bebé de acuerdo con el lugar donde lo sienta patear más frecuentemente. Usted puede colocar los altoparlantes dentro de su ropa o usar el Cinturón de Maternidad para sostenerlos en su lugar.
4. Reproduzca la música durante aproximadamente 10 minutos y alterne las selecciones que reproduzca. Use el cronograma incluido en este manual como registro de qué selecciones ha reproducido y con qué frecuencia las ha reproducido.
5. Reproduzca la música apenas un poco más alta de lo que normalmente la reproduciría para usted. Si es demasiado alta para usted, será demasiado alta para su bebé.

El cinturón maternal le brinda la comodidad y soporte adicional para que Ud. pueda realizar distintas tareas al mismo tiempo que se ocupa de su bebe. Ud. también puede usarlo aun cuando no este tocando música. Por favor lave el cinturón a mano con agua fría y jabón.

fig.12



HACIÉNDOLE ESCUCHAR MÚSICA A SU BEBÉ RECIÉN NACIDO

La estimulación de su bebé puede continuar después del nacimiento para ayudar al desarrollo. Nuestro CD postnatal contiene selecciones especiales de música de una variedad de compositores clásicos. Tienen una duración más larga que el CD prenatal porque, a medida que su bebé vaya creciendo, adquirirá la capacidad de concentrarse por períodos de tiempo más largos.

INSTRUCCIONES PARA HABLAR, CANTAR Y LEERLE A SU BEBÉ POR NACER

(Ver Fig. 13)

1. Conecte el cable de los Altoparlantes Fetales al Micrófono Fetal. El Micrófono Fetal requiere una batería AAA (no incluida).
2. Coloque los Altoparlantes Fetales contra su estómago. Usted deberá ajustar la posición de los altoparlantes dependiendo del mes de embarazo en que se encuentre. Usted podrá determinar dónde está la cabeza de su bebé de acuerdo con el lugar donde lo sienta patear más frecuentemente. Usted puede colocar los altoparlantes dentro de su ropa o usar el Cinturón de Maternidad para sostenerlos en su lugar.
3. Tenga la precaución de hablar en un tono de voz normal. El micrófono amplificará su voz así que usted no tiene que hablar demasiado alto ya que esto podría molestar a su bebé. Usted también puede optar por acariciarse suavemente su estómago mientras habla.
4. Alterne su voz con la voz del padre del bebé – cinco minutos de la suya y cinco minutos de la de él. Hable en tonos cariñosos y repita lo que dice de 3 a 4 veces. Repita esto varias veces por día. También puede leerle un cuento a su bebé. Elija uno que podrá leerle después que haya nacido.

fig.13



PREGUNTAS FRECUENTES

¿Que tipo de música debo tocarle a mi bebé?

La opinión universal parece ser que la música clásica es la mejor. Es por eso que nosotros incluimos un CD de 60 minutos de música clásica especialmente seleccionada.

¿Tengo que usar el cinturón de maternidad cuando toco la música?

Sí. Para beneficios máximos los Altoparlantes Fetales deben ser colocados contra la parte baja de su estomago, así como su bebé tiene la cabeza apuntando hacia abajo en su tercer trimestre.

¿Que tan fuerte debo tocar la música o hablar?

Tóquela música un poco mas fuerte que el volumen normal de su voz, de esta forma el sonido de la música / voz podrá atravesar el útero y llegar a ser oído por su bebé.

¿Esta seguro que no molestare a mí bebé cuando le toque música o cuando le hable?

Lo que Ud. estará haciendo cuando le toque música o cuando le hable es estimularlo/la. Sin embargo, si Ud. toca la música por demasiado tiempo o demasiado frecuente, Ud. corre el riesgo de disturbar a su bebé. Recuerde su bebé debe tener tiempo para descansar, como para desarrollarse.

¿Que tan pronto puedo empezar a utilizar el Monitor Cardíaco Prenatal?

Estudios demuestran que su bebe esta lo suficientemente desarrollado al final del quinto mes como para poder empezar a tocarle música y hablarle. Sin embargo, no hay evidencia de que Ud. no pueda empezar a hacerlo a mitad del quinto mes.

LIBROS DE REFERENCIA

1. Jay Gordon, M.D. and Brenda Adderly, M.H.A., *Brighter Baby* (Washington, DC: Lifeline Press, 1999), 79.
2. Dr. Susan Ludington-Hoe with Susan K. Golant, *How to Have a Smarter Baby* (New York: Bantam Books, 1987), 39.
3. Dr. Susan Ludington-Hoe with Susan K. Golant, *How to Have a Smarter Baby* (New York: Bantam Books, 1987), 18.
4. Dr. Susan Ludington-Hoe with Susan K. Golant, *How to Have a Smarter Baby* (New York: Bantam Books, 1987), 18.
5. Dr. Sarah Brewer, *Super Baby* (London: Thorsons, 1998), 70.
6. Dr. Sarah Brewer, *Super Baby* (London: Thorsons, 1998), 97-98.
7. Dr. Sarah Brewer, *Super Baby* (London: Thorsons, 1998), 229.

CRONOGRAMA DE MÚSICA REPRODUCIDA

fecha

tiempo de reproducción

música reproducida

SECCIÓN III: INFORMACIÓN DE PRODUCTO ADICIONAL

CONSEJOS PARA USAR EL MONITOR CARDÍACO PRENATAL

- El Monitor Cardíaco Prenatal tiene poderosas capacidades de amplificación requeridas para captar los suaves sonidos producidos por su bebé. Para proteger sus oídos y evitar los acoples (sonidos chirriantes), no encienda la unidad a menos que el cono de escucha esté presionado contra su cuerpo.
- Hay muchos sonidos diferentes que son producidos por su bebé y por su cuerpo. Incrementar el volumen también incrementa estos sonidos. Mantener el volumen a un nivel moderado usualmente produce los mejores resultados; por lo tanto, ajuste el volumen cuidadosamente.
- El latido cardíaco de su bebé es un sonido de muy bajo volumen y es muy difícil de detectar hasta el tercer trimestre. Se requieren paciencia y una escucha muy atenta para localizar la mejor posición para escuchar los latidos cardíacos. Es perfectamente normal escucharlo en algunos días y no en otros debido a la postura y movimientos de su bebé. También es normal que usted los escuche en un momento y no al siguiente. ¡No se preocupe! Es muy natural que su bebé cambie de posición.

CUIDADOS Y LIMPIEZA

- Para limpiar su Monitor Cardíaco Prenatal, simplemente repáselo con un trozo de tela suave y seco o ligeramente húmedo. No lo sumerja en agua ni en ningún otro líquido.
- Almacénelo en un lugar fresco y seco.
- Mantenga lejos del alcance de los niños cuando no esté en uso.

- No desarme el Monitor Cardíaco Prenatal.
- Use únicamente una batería alcalina de 9 voltios.
- Durante períodos largos sin uso, retire la batería del compartimiento.
- Elimine las baterías apropiadamente y con seguridad.
- No utilice ni coloque la unidad sobre o cerca de las llamas, por ejemplo, velas encendidas.
- El Monitor Cardíaco Prenatal debe utilizarse a temperatura ambiente normal. No utilice en calor o frío extremos.

SOLUCIÓN DE PROBLEMAS

1. Usted no puede escuchar a su bebé por nacer con su Monitor Cardíaco Prenatal.
 - a. Puede ser demasiado temprano en su embarazo para escuchar a su bebé. Espere hasta que usted se encuentre en su tercer trimestre cuando los latidos cardíacos fetales comienzan a volverse más altos.
 - b. Es bastante normal no escuchar a su bebé debido a su postura. Inténtelo nuevamente más tarde. El mejor momento para escuchar es de 3 a 4 horas después de una comida y cuando usted esté relajada. Usted también puede intentar colocar el monitor contra su baja espalda ya que esto puede ayudar a minimizar la interferencia de los sonidos de su propio cuerpo.
 - c. La unidad no está encendida. Encienda la unidad haciendo girar la perilla de control de Encendido/Volumen a la derecha hasta que oiga un clic y la luz roja del indicador de encendido se encienda.
 - d. El control de volumen está bajo. Aumente el volumen haciendo girar la perilla de control de Encendido/Volumen hacia la derecha.

- e. Los auriculares no están conectados al monitor. Asegúrese que los auriculares estén firmemente conectados en cualquier enchufe del monitor.
 - f. La batería está baja. El indicador de encendido rojo se atenuará. Inserte una nueva batería alcalina de 9 voltios.
 - g. La batería no está correctamente insertada. Abra el compartimiento de la batería y controle para ver que el positivo (+) coincida con el positivo (+) y el negativo (-) coincida con el negativo (-).
 - h. La cubierta de espuma no está colocada en el cono de escucha. Asegúrese que la cubierta de espuma esté colocada en el cono de escucha.
 - i. Hay sustancias extrañas en el cono de escucha. Retire la cubierta de espuma y asegúrese que no haya nada dentro del cono de escucha.
2. Hay acople (sonidos chirriantes) cuando usted usa su Monitor Cardíaco Prenatal.
- a. El volumen está demasiado alto. Baje el volumen girando la perilla hacia la izquierda.
 - b. Baje el volumen antes de mover el Monitor Prenatal contra su piel.
3. Usted no puede grabar desde su Monitor Cardíaco Prenatal.
- a. El cable de grabación no está correctamente enchufado. Asegúrese que el extremo en L del cable de grabación esté firmemente conectado en cualquier enchufe del Monitor Prenatal y que el extremo recto esté conectado en la entrada de línea de su grabadora.
 - b. La grabadora no está funcionando. Asegúrese que la grabadora funcione. Reemplace las baterías de ser necesario.
 - c. El control de volumen de su grabadora está demasiado bajo. Aumente el volumen.
4. Hay demasiado sonido de fondo y produce un sonido de raspado cuando usted lo mueve.

- a. Baje el volumen ANTES de mover el monitor de un lugar al siguiente y no vuelva a subirlo hasta que haya dejado de moverlo contra su estómago.

ESPECIFICACIONES TÉCNICAS

- Solamente para uso hogareño.
- El Monitor Cardíaco Prenatal requiere una batería de 9 voltios (no incluida).
- El Micrófono Fetal requiere una batería AAA (no incluida).
- Se encuentra información sobre el fabricante y la batería en la parte lateral del compartimiento de la batería.

Normas y Aprobaciones Aplicadas

Este producto cumple con los requerimientos de la Directiva Electromagnética de la Compatibilidad (89/336/EEC).

Las siguientes normas se aplican al diseño y/o fabricación del producto:

- EN60065:2002: Aparato electrónico de audio, video y similar. Requisitos de seguridad.
- EN55013:2001: Receptores de transmisión de sonido y televisión y equipos asociados. Características de radio perturbación. Límites y métodos de medición.
- EN55020:2002: EN55020:2002: Receptores de transmisión de sonido y televisión y equipos asociados. Características de inmunidad. Límites y métodos de medición.



EXENCIÓN DE RESPONSABILIDADES

EL MONITOR CARDÍACO PRENATAL BÉBÉSOUNDS® NO ES UN DISPOSITIVO MÉDICO.

El Monitor Cardíaco Prenatal BébéSounds® no es un dispositivo médico y no debe ser usado ni dependerse del mismo en modo alguno para diagnóstico u otros propósitos médicos. Cualquier preocupación acerca de su embarazo debe ser tratada por un profesional de la medicina. El Monitor Cardíaco Prenatal BébéSounds® no está destinado y no debe ser usado como sustituto de la atención regular a cargo del profesional de la medicina indicado. Le sugerimos que busque esa atención prenatal en conexión con su embarazo. El Monitor Cardíaco Prenatal BébéSounds® debe ser usado únicamente de acuerdo con las instrucciones aquí provistas, y los fabricantes y distribuidores del Monitor Cardíaco Prenatal BébéSounds® no son responsables por el uso inadecuado. El fabricante expresamente se desliga de la responsabilidad por daños incidentales, por consecuencia o especiales de cualquier naturaleza. se desliga de la responsabilidad por daños incidentales, por consecuencia o especiales de cualquier naturaleza.

GARANTÍA LIMITADA DEL PRODUCTO

Registre la garantía de su producto en línea en www.bebesounds.com.

Unisar Inc., el distribuidor del Monitor Cardíaco Prenatal de BébéSounds®, le garantiza al propietario original de este producto que este producto está libre de defectos en materiales y mano de obra por un período de tres (3) meses a partir de la fecha de compra original. Si este producto no funciona correctamente cuando se lo use de acuerdo con las instrucciones bajo condiciones normales dentro del período de tres meses, Unisar Inc. o bien reparará o reemplazará el producto, a su opción, sin

cargo alguno, cuando sea devuelto en su envase original, franqueo postal prepago, con prueba de compra. Unisar Inc. afrontará el costo de reparar o reemplazar el producto y enviarlo de vuelta a usted dentro de los Estados Unidos. La reparación o reemplazo del artículo defectuoso está sujeta a verificación del mal funcionamiento o defecto cuando sea entregado a:

Unisar® Service Center
15 West 36th Street
New York, NY 10018

NOTA: El garante expresamente renuncia a toda responsabilidad por los daños incidentales, indirectos o especiales de cualquier naturaleza. Esta garantía no cubre: 1) Un defecto que haya sido causado por reparación o modificación de cualquier persona que no fuese un técnico de Unisar®; 2) Un defecto causado por negligencia, accidente o mal uso del producto; 3) Un defecto causado por instalación incorrecta de y/o baterías defectuosas; 4) Vida de las baterías; o 5) Daño resultante de operación incorrecta.

LOS DERECHOS LEGALES VARÍAN DE UN ESTADO A OTRO.

NOTA: Esta garantía es válida sólo para productos vendidos en los Estados Unidos. Si usted compró su producto fuera de los Estados Unidos, sírvase visitar al concesionario o distribuidor más cercano para obtener servicio.

Si usted cree que su Monitor Cardíaco Prenatal es defectuoso o no está funcionando adecuadamente en cualquier otro sentido, por favor verifique primero la batería. Las baterías defectuosas o agotadas son la causa principal de problemas con este artículo y no están cubiertas por esta garantía limitada. Si el dispositivo sigue sin funcionar correctamente o si usted continúa experimentando otros problemas técnicos, por favor contacte al Departamento de Atención al Cliente

de BébéSounds® llamando al 1-888-242-6476 de lunes a viernes de 9:00-17:00 (hora del este).

El Monitor Cardíaco Prenatal de BébéSounds® está sujeto a patentes de diseño y utilitario en los Estados Unidos, y a documentos equivalentes en el extranjero.

TAMBIÉN DISPONIBLES DE **BébeSounds** ...



Sensor de Movimiento Angelcare® con Monitor de Sonido

¡Deje de preocuparse mientras su bebé duerme! Detecta los movimientos más leves de su bebé mientras éste duerme. Una alarma suena SOLAMENTE si no se detecta absolutamente ningún movimiento por 20 segundos. También funciona como un monitor de sonido común.



Termómetro para Oídos de 1 Segundo

Hace que tomarle la temperatura a su hijo sea rápido y conveniente. No se requiere cobertura para la sonda o "tirón de orejas". Se limpia con alcohol. Pantalla luminosa de gran tamaño. Mide en grados Fahrenheit y Celsius.



Aspirador NasalClear™

¡Despeja narices taponadas RÁPIDAMENTE! Despeje con seguridad y rapidez la congestión nasal de su bebé con este aspirador operado a batería. Suficientemente suave como para usarlo en un bebé recién nacido. Se desarma para una limpieza fácil y a fondo.



Termómetro Flexible de 5 Segundos y 3 Vías

¡Rápido, fácil y preciso! Obtiene una lectura de temperatura precisa en apenas 5 segundos. Y la punta flexible le ofrece a su hijo la máxima comodidad. Recuerda la última medición de temperatura. Mide en grados Fahrenheit y Celsius.

Free Manuals Download Website

<http://myh66.com>

<http://usermanuals.us>

<http://www.somanuals.com>

<http://www.4manuals.cc>

<http://www.manual-lib.com>

<http://www.404manual.com>

<http://www.luxmanual.com>

<http://aubethermostatmanual.com>

Golf course search by state

<http://golfingnear.com>

Email search by domain

<http://emailbydomain.com>

Auto manuals search

<http://auto.somanuals.com>

TV manuals search

<http://tv.somanuals.com>