



SUPER DECK D SERIES GAS DECK OVENS



Model D-125
with optional casters



SPECIFICATIONS

BAKERS PRIDE Super Deck D Series gas Deck Ovens are designed for high volume pizza, baking and all-purpose operations.

Ovens may be stacked two high. Oven exteriors are all heavy-gauge, type 403 stainless steel and are fully insulated up to 5" (127mm) thick for cooler outer temperatures and consistent interior temperatures.

Interior oven frame is constructed of 1/4" (6mm) heavy-duty angle iron frame, completely welded to form a single, unitized section. The oven body and lining are then welded to the framework.

Oven interiors are manufactured of high-heat resistant 16-gauge aluminized steel. Doors are fully insulated, spring balanced with tubular steel handles and will remain open or closed until moved.

All models feature independent, operator-controlled top & bottom heat control dampers and micro slides for perfectly balanced results.

D Series features a 300°-650° F (149°-343°C) throttling thermostat, 10" (254mm) interior deck height with 1 1/2" (38mm) thick Cordierite hearth decks (steel decks optional) and are supported by a 1/4" (6mm) angle iron frame.

Combination gas control incorporates a manual gas valve, safety pilot and pressure regulator. Easily removable, slide-out, heavy-duty flame diverters distribute the burner flame uniformly in the burner chamber. A 3/4" (19mm) NPT gas connection is located on the left side and left rear of oven - operator/installer may choose.

Heavy-duty, 7-gauge hot rolled steel legs are standard and finished with durable Bakertone gray paint.

1 Year limited part and labor warranty standard.

Job _____ Item # _____

GAS DECK OVENS



- Model D-125 Single
- Model D-250 Double

STANDARD FEATURES

- D Series @ 125,000 BTUH per deck natural gas or 105,000 BTUH in LP gas (LP gas not CE certified)
- 300°-650° F (149°-343°C) throttling thermostat
- Top & bottom heat control dampers & micro-slides
- Combination gas controls with valve, regulator & safety pilot
- Heavy-duty, slide-out flame diverters
- 10" (254mm) interior deck heights with 1 1/2" (38mm) thick Cordierite hearth decks
- All stainless steel exteriors
- Aluminized steel interiors
- Spring balanced, fully insulated doors
- Left side or rear gas connections
- 7-Gauge legs
- Fully insulated throughout
- 1 Year limited part and labor warranty

OPTIONS & ACCESSORIES

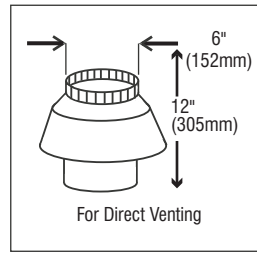
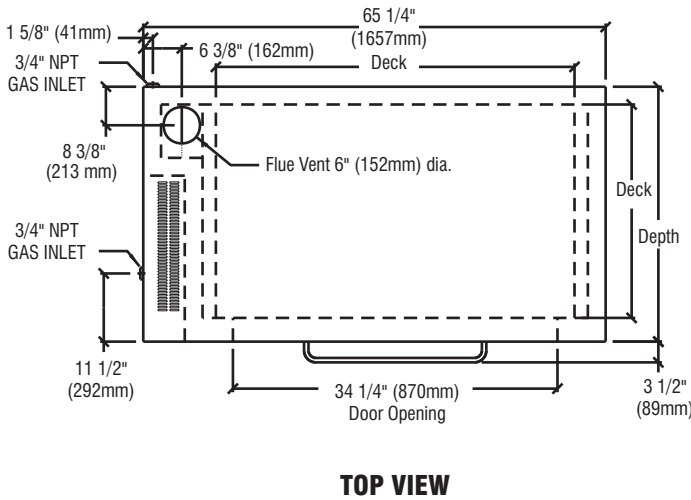
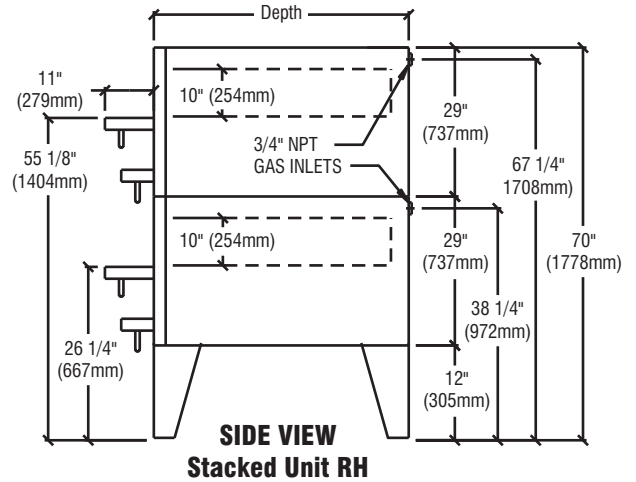
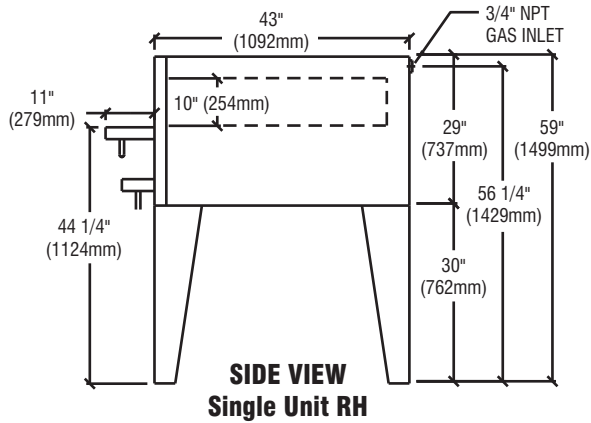
- Steel decks
- 150°-550° F (65°-288°C) bake thermostat
- 350°-700° F (149°-371°C) high-heat thermostat
- Set of 4 casters - two with locks
- Stainless steel leg covers
- Special height legs
- Automatic oven starter
- Draft flue for direct vent (not available on CE units)
- Black powder coated doors with hard wood handles
- Black powder coated hinged control access door panel

CERTIFICATIONS

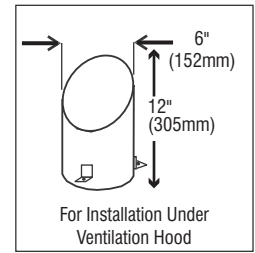


BAKERS PRIDE OVEN COMPANY, INC.
30 Pine Street, New Rochelle, NY 10801
914/576-0200 • 1-800-431-2745 • fax 914/576-0605
www.bakerspride.com

Continuous product improvement is a policy of Bakers Pride Oven Company. Therefore, specifications and design are subject to change without notification



MUST BE SPECIFIED AT TIME OF ORDER



STANDARD

ALL DIMENSIONS NOMINAL

| Model | Shipping Weight | | Carton Dimensions | | | | Crate Size | | | |
|-------|-----------------|-------|-------------------|-----|--------|------|------------|------|------------|-------------|
| | Lbs. | Kilos | Width | | Depth | | Height | | Cubic Feet | Cubic Meter |
| | | | Inches | mm | Inches | mm | Inches | mm | | |
| D-125 | 1385 | 626 | 31 | 787 | 53 | 1364 | 82 | 2083 | 88 | 2.5 |

Each oven ships separately
Hearth Decks and Legs ship in separate cartons

| GAS SUPPLY | | | | |
|------------|----------|---------|------|------------|
| Model | GAS TYPE | BTUH | KW | CONNECTION |
| D-125 | natural | 125,000 | 36.6 | 3/4" |
| D-250 | natural | 250,000 | 30.7 | 3/4" |
| D-125 | LP | 105,000 | 73.2 | 3/4" |
| D-250 | LP | 210,000 | 61.4 | 3/4" |

CE certification not available in LP gas

| Model | Deck Sizes | | | Overall Dimensions | | | | | |
|-------|------------|------------|---------|--------------------|------|--------|------|--------|------|
| | Deck Sizes | | # Decks | Width | | Depth | | Height | |
| | in. | mm | | Inches | mm | Inches | mm | Inches | mm |
| D-125 | 48 x 36 | 1219 x 914 | 1 | 65 1/4 | 1657 | 43 | 1092 | 59 | 1499 |
| D-250 | 48 x 36 | 1219 x 914 | 2 | 65 1/4 | 1657 | 43 | 1092 | 70 | 1778 |

| | MINIMUM CLEARANCES | | | |
|-------|-----------------------------|----|--------------------------|----|
| | Noncombustible Construction | | Combustible Construction | |
| | Inches | mm | Inches | mm |
| Right | 0 | 0 | 1 | 25 |
| Left | 0 | 0 | 3 | 76 |
| Rear | 2 | 51 | 3 | 76 |



BAKERS PRIDE OVEN COMPANY, INC.
30 Pine Street, New Rochelle, NY 10801
914/576-0200 • 1-800-431-2745 • fax 914/576-0605
www.bakerspride.com

Continuous product improvement is a policy of Bakers Pride Oven Company. Therefore, specifications and design are subject to change without notification

SDECK-D-125 — TSW/06/08

Free Manuals Download Website

<http://myh66.com>

<http://usermanuals.us>

<http://www.somanuals.com>

<http://www.4manuals.cc>

<http://www.manual-lib.com>

<http://www.404manual.com>

<http://www.luxmanual.com>

<http://aubethermostatmanual.com>

Golf course search by state

<http://golfingnear.com>

Email search by domain

<http://emailbydomain.com>

Auto manuals search

<http://auto.somanuals.com>

TV manuals search

<http://tv.somanuals.com>