

A = ACTIVATION
 C = COMMON
 S = SAFETY

A = ORANGE
 C = YELLOW
 S = RED

A = YELLOW
 C = GRAY
 S = BLUE

A = BLACK
 C = RED
 S = WHITE

A = BLACK
 C = WHITE
 S = GREEN

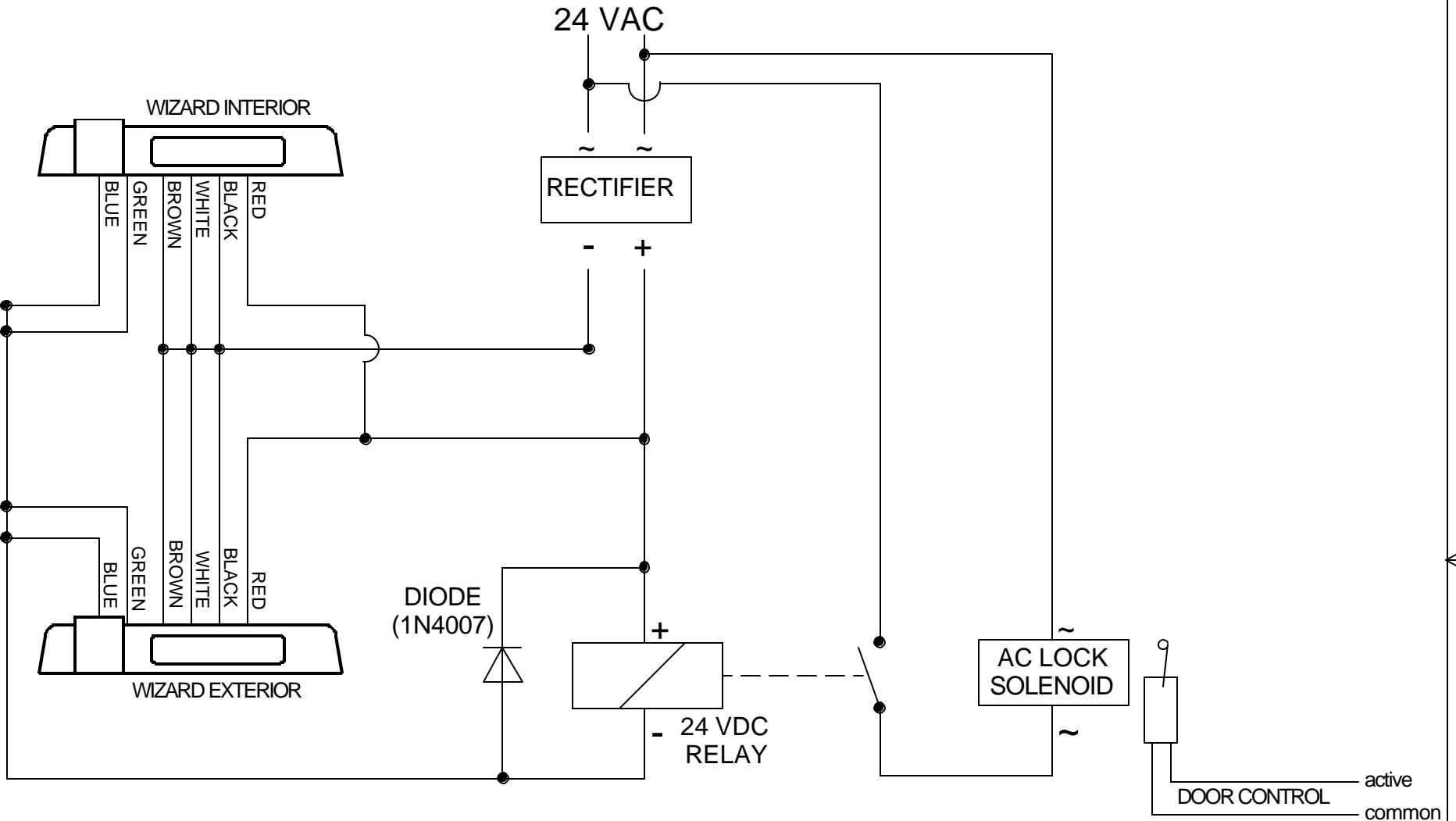
A = 13
 C = 12
 S = 11

BEA
 We open up New Horizons
 HALMA GROUP COMPANY
 100 ENTERPRISE DRIVE
 PITTSBURGH, PA 15275
 PHONE: (412) 249-4100
 FAX: (412) 249-4101
 EMAIL: www.beasensors.com

**TITLE: ON/ OFF/ HOLD OPEN SWITCH
 WIRING DIAGRAM**

SIZE: A	DRAWN BY: KJG	REV BY: TUC	PART NO: 80.0000.02
	SCALE: NONE	DATE: 17 JUNE 2005	SHEET 1 OF 1

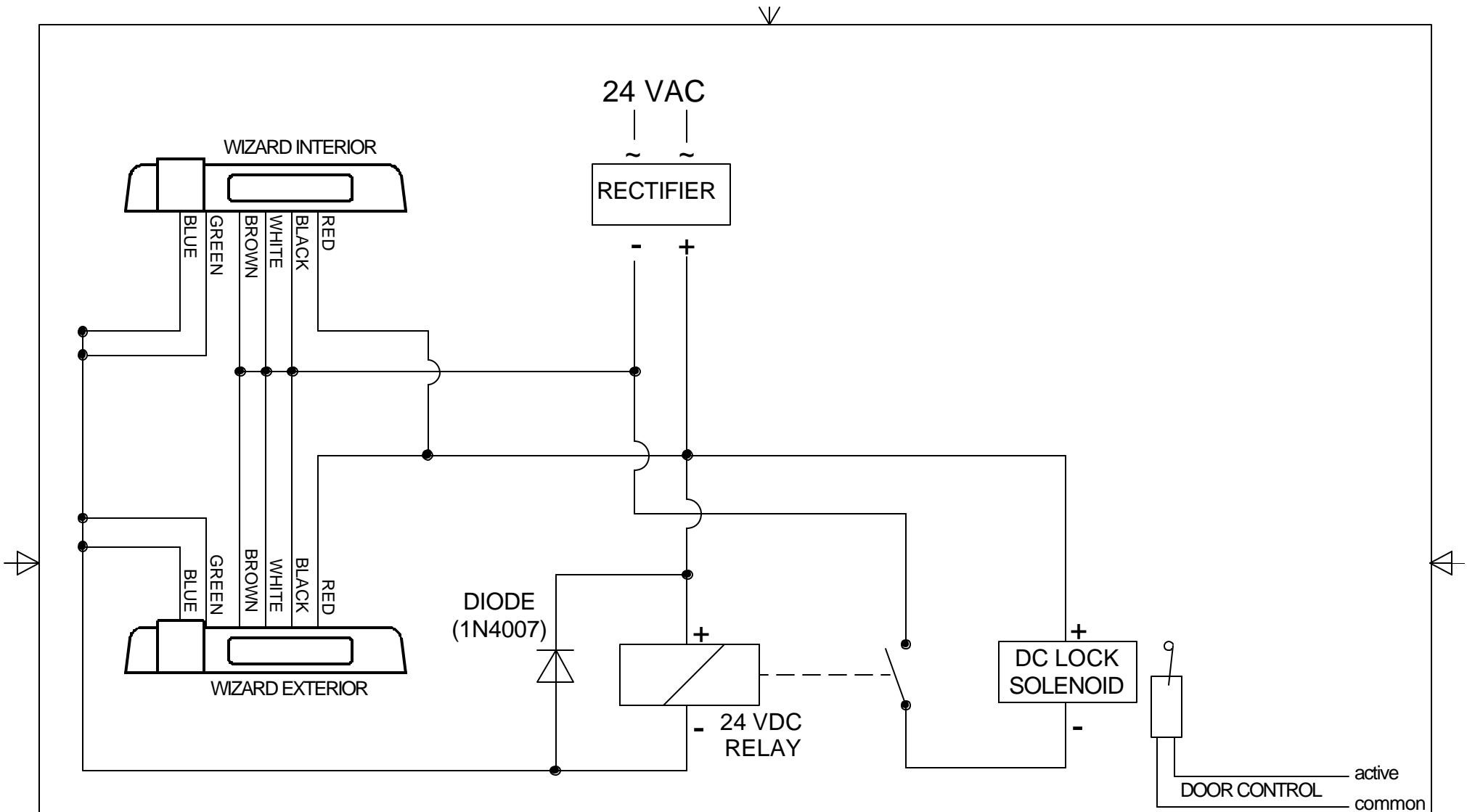
IF AFTER TROUBLESHOOTING A PROBLEM, A SATISFACTORY SOLUTION CANNOT BE ACHIEVED, PLEASE CALL B.E.A., INC. FOR FURTHER ASSISTANCE DURING EASTERN STANDARD TIME AT 1-800-523-2462 FROM 8AM - 5PM. FOR AFTER-HOURS, CALL EAST COAST: 1-866-836-1863 OR 1-800-407-4545 / MID-WEST: 1-888-308-8843 / WEST COAST: 1-888-419-2564. DO NOT LEAVE ANY PROBLEM UNRESOLVED. IF YOU MUST WAIT FOR THE FOLLOWING WORKDAY TO CALL B.E.A., LEAVE THE DOOR INOPERABLE UNTIL SATISFACTORY REPAIRS CAN BE MADE. NEVER SACRIFICE THE SAFE OPERATION OF THE AUTOMATIC DOOR OR GATE FOR AN INCOMPLETE SOLUTION. WEB: WWW.BEASENSORS.COM



B.E.A., Inc.
 100 Enterprise Drive, Pittsburgh, PA 15275
 PH: (412) 249-4100 FAX: (412) 249-4101

**TITLE: SLIDING DOOR
 LOCK WITH WIZARDS
 (AC ONLY)**

SIZE A	CAGE CODE	DWG NO 80.0001	FILE OF: ENG'G	DRAWN BY: JED	REV 01
SCALE NONE	DATE: 02 JAN 04		SHEET 1 OF 1		

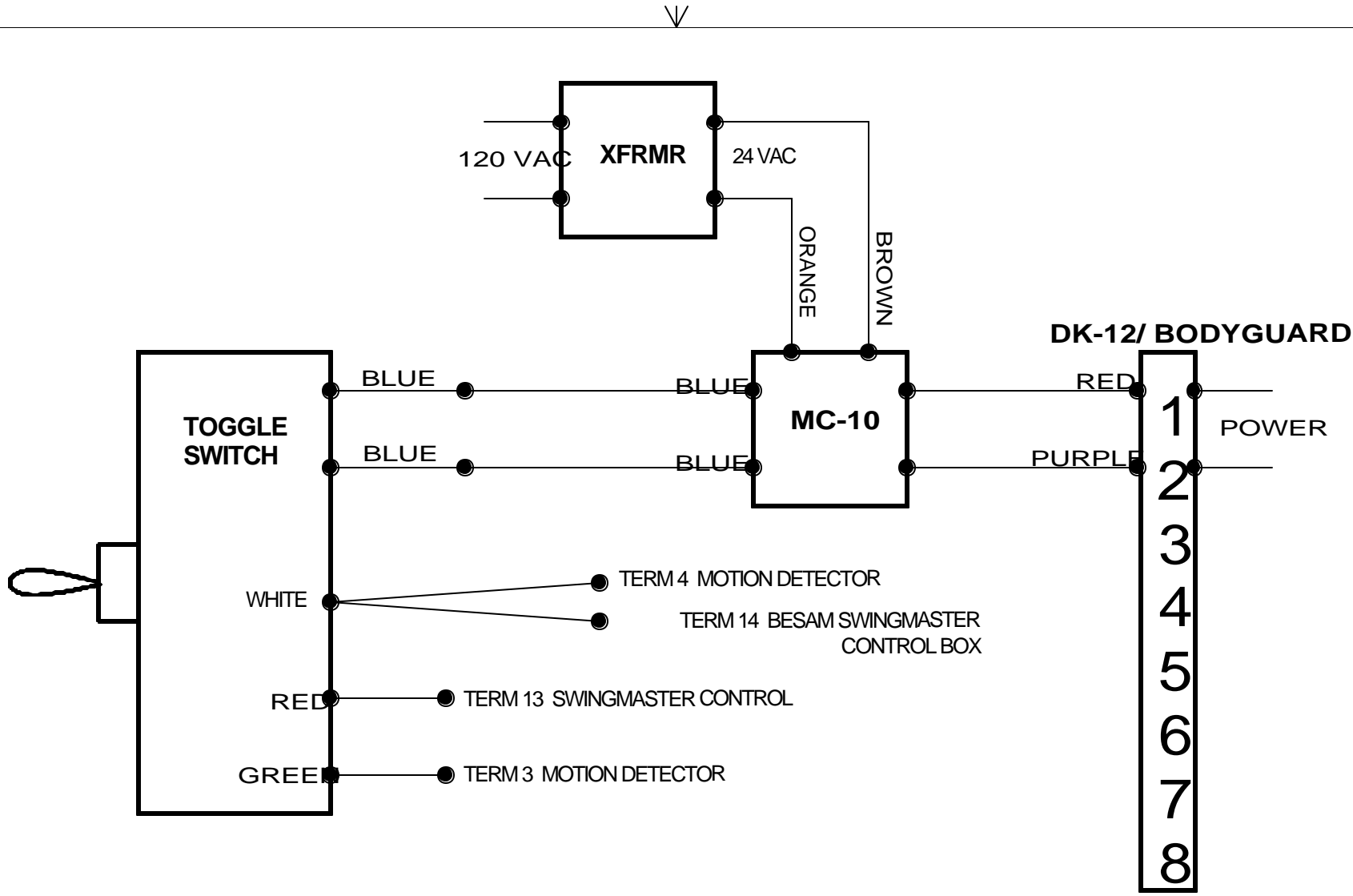


BEA
We open up New Horizons

B.E.A., Inc.
100 Enterprise Drive, Pittsburgh, PA 15275
PH: (412) 249-4100 FAX: (412) 249-4101

**TITLE: SLIDING DOOR
LOCK WITH WIZARDS
(DC ONLY)**

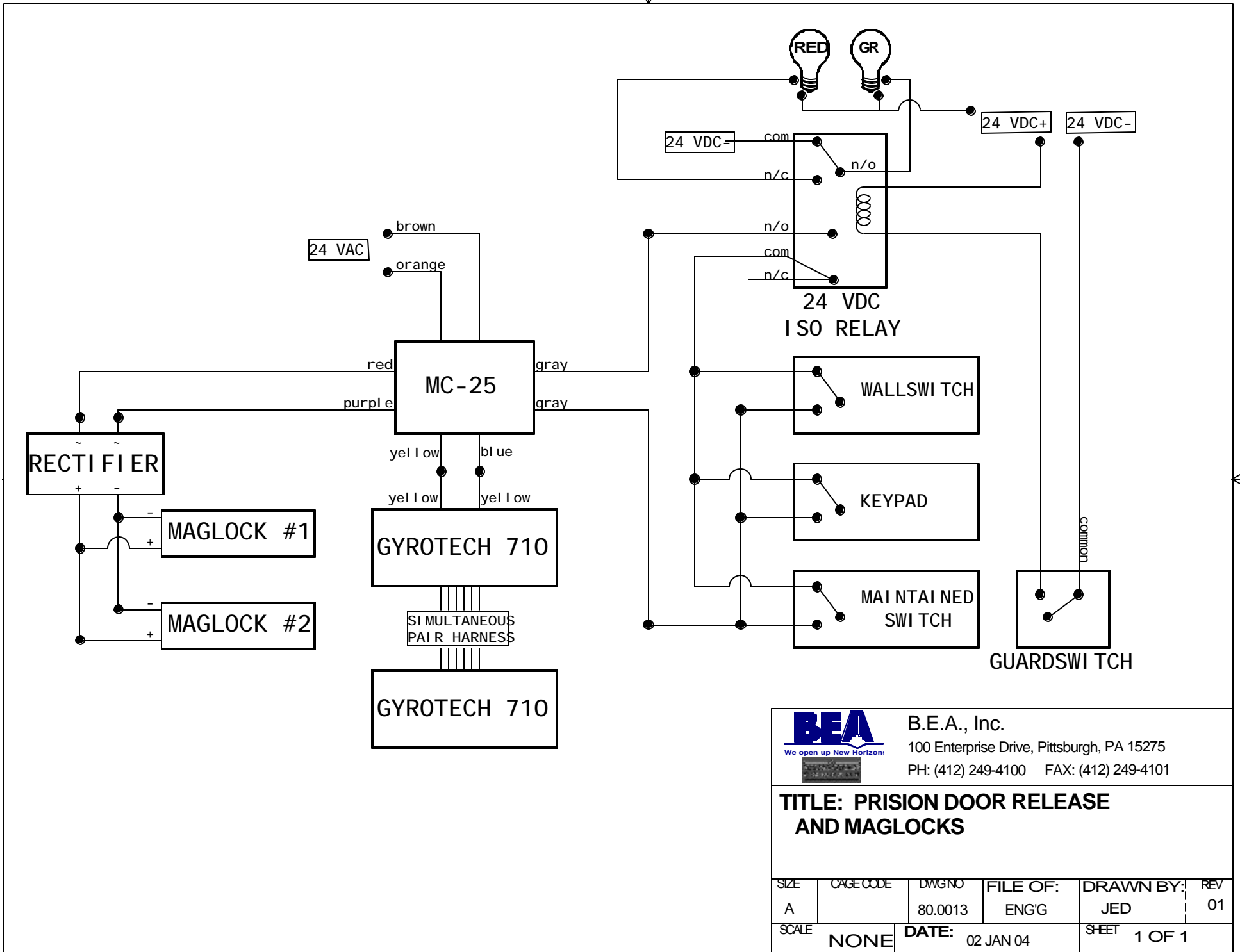
SIZE A	CAGE CODE	DWG NO 80.0002	FILE OF: ENG'G	DRAWN BY: JED	REV 01
SCALE NONE	DATE: 02 JAN 04			SHEET 1 OF 1	



B.E.A., Inc.
 100 Enterprise Drive, Pittsburgh, PA 15275
 PH: (412) 249-4100 FAX: (412) 249-4101

TITLE: TARGET BODYGUARD CUT-OFF SWITCH

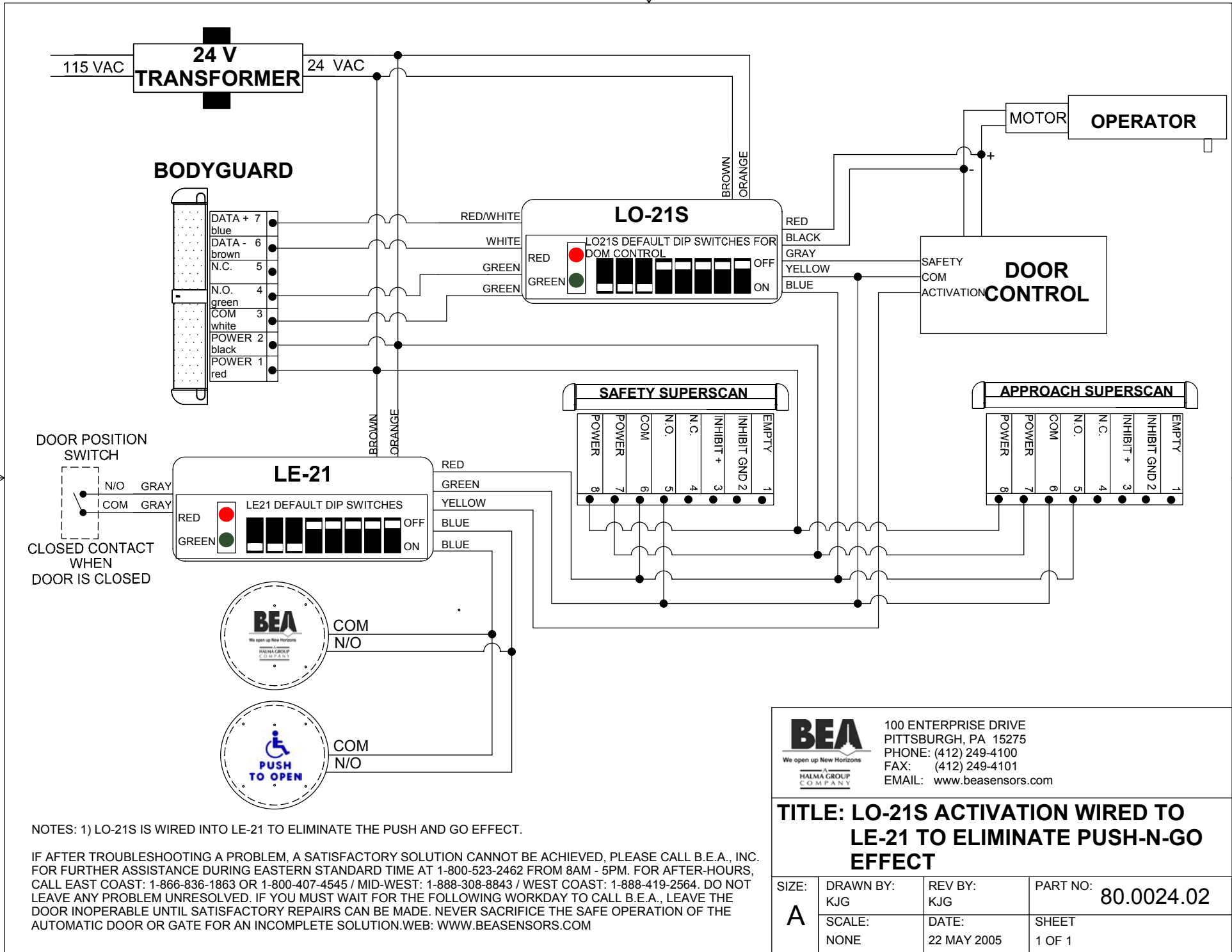
SIZE	CAGE CODE	DWGNO	FILE OF:	DRAWN BY:	REV
A		80.0007	ENG'G	JED	01
SCALE	DATE: 02 JAN 04		SHEET		1 OF 1
NONE					



BEA B.E.A., Inc.
 We open up New Horizons
 100 Enterprise Drive, Pittsburgh, PA 15275
 PH: (412) 249-4100 FAX: (412) 249-4101

TITLE: PRISION DOOR RELEASE AND MAGLOCKS

SIZE	CAGE CODE	DWG NO	FILE OF:	DRAWN BY:	REV
A		80.0013	ENG G	JED	01
SCALE	DATE:		SHEET		
NONE	02 JAN 04		1 OF 1		



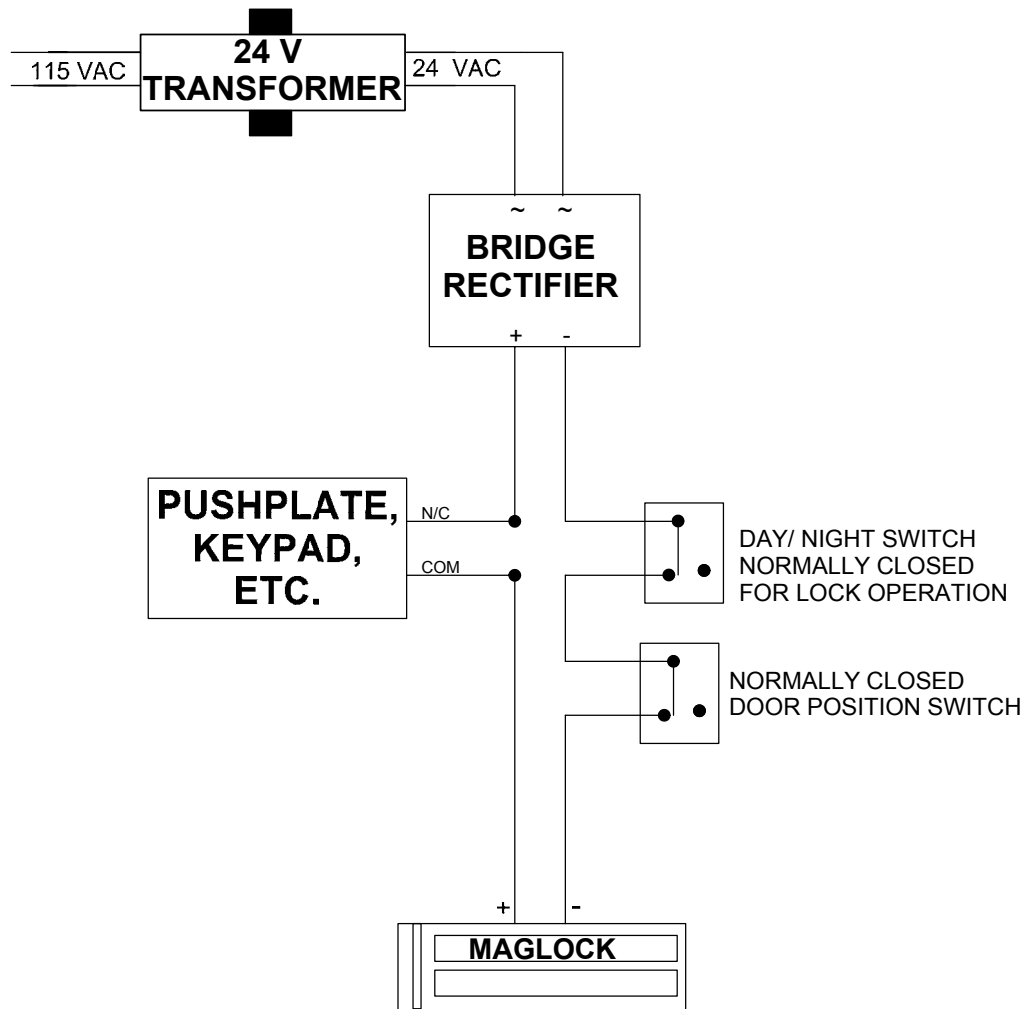
NOTES: 1) LO-21S IS WIRED INTO LE-21 TO ELIMINATE THE PUSH AND GO EFFECT.

IF AFTER TROUBLESHOOTING A PROBLEM, A SATISFACTORY SOLUTION CANNOT BE ACHIEVED, PLEASE CALL B.E.A., INC. FOR FURTHER ASSISTANCE DURING EASTERN STANDARD TIME AT 1-800-523-2462 FROM 8AM - 5PM. FOR AFTER-HOURS, CALL EAST COAST: 1-866-836-1863 OR 1-800-407-4545 / MID-WEST: 1-888-308-8843 / WEST COAST: 1-888-419-2564. DO NOT LEAVE ANY PROBLEM UNRESOLVED. IF YOU MUST WAIT FOR THE FOLLOWING WORKDAY TO CALL B.E.A., LEAVE THE DOOR INOPERABLE UNTIL SATISFACTORY REPAIRS CAN BE MADE. NEVER SACRIFICE THE SAFE OPERATION OF THE AUTOMATIC DOOR OR GATE FOR AN INCOMPLETE SOLUTION. WEB: WWW.BEASENSORS.COM

BEA
 We open up New Horizons
 HALMA GROUP COMPANY
 100 ENTERPRISE DRIVE
 PITTSBURGH, PA 15275
 PHONE: (412) 249-4100
 FAX: (412) 249-4101
 EMAIL: www.beasensors.com

TITLE: LO-21S ACTIVATION WIRED TO LE-21 TO ELIMINATE PUSH-N-GO EFFECT

SIZE: A	DRAWN BY: KJG	REV BY: KJG	PART NO: 80.0024.02
	SCALE: NONE	DATE: 22 MAY 2005	



NOTES: 1) USE COMMON NORMALLY/ OPEN CONTACTS FOR ELECTRIC PANIC AND STRIKES

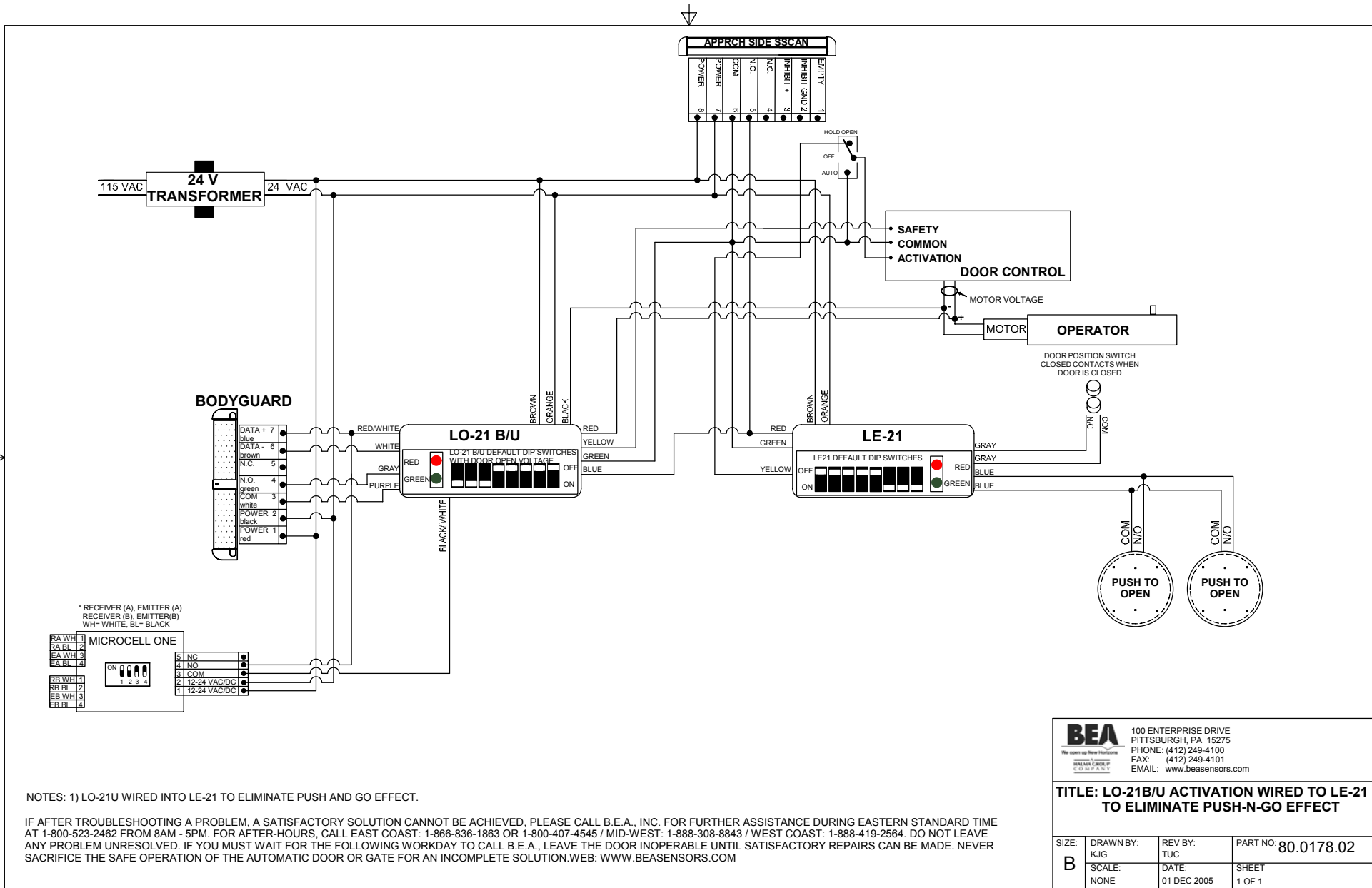
IF AFTER TROUBLESHOOTING A PROBLEM, A SATISFACTORY SOLUTION CANNOT BE ACHIEVED, PLEASE CALL B.E.A., INC. FOR FURTHER ASSISTANCE DURING EASTERN STANDARD TIME AT 1-800-523-2462 FROM 8AM - 5PM. FOR AFTER-HOURS, CALL EAST COAST: 1-866-836-1863 OR 1-800-407-4545 / MID-WEST: 1-888-308-8843 / WEST COAST: 1-888-419-2564. DO NOT LEAVE ANY PROBLEM UNRESOLVED. IF YOU MUST WAIT FOR THE FOLLOWING WORKDAY TO CALL B.E.A., LEAVE THE DOOR INOPERABLE UNTIL SATISFACTORY REPAIRS CAN BE MADE. NEVER SACRIFICE THE SAFE OPERATION OF THE AUTOMATIC DOOR OR GATE FOR AN INCOMPLETE SOLUTION.WEB: WWW.BEASENSORS.COM



100 ENTERPRISE DRIVE
 PITTSBURGH, PA 15275
 PHONE: (412) 249-4100
 FAX: (412) 249-4101
 EMAIL: www.beasensors.com

TITLE: REQUEST TO EXIT MANUAL DOORS

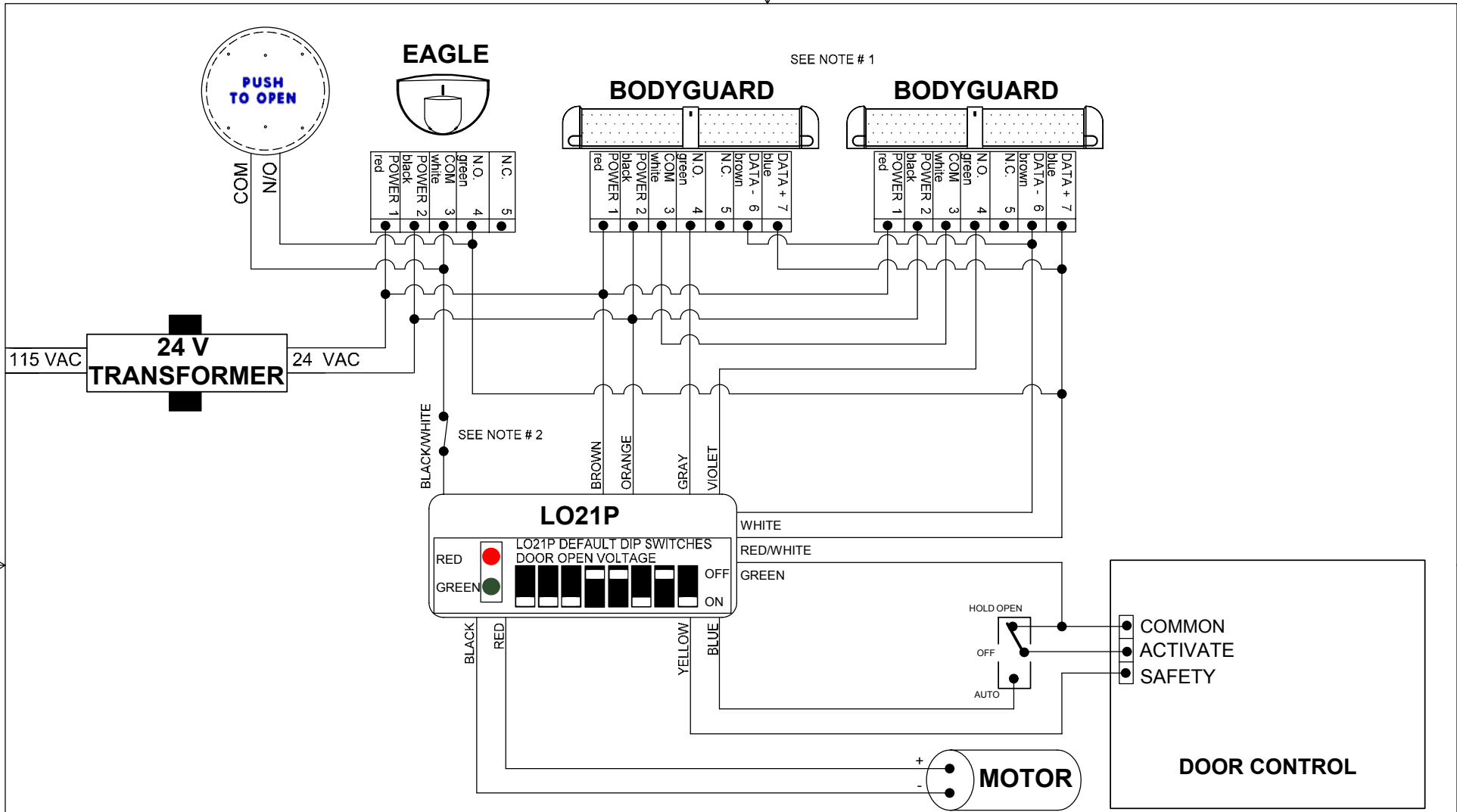
SIZE: A	DRAWN BY: KJG	REV BY: KJG	PART NO: 80.0028.02
	SCALE: NONE	DATE: 28 MAY 2005	SHEET 1 OF 1



NOTES: 1) LO-21U WIRED INTO LE-21 TO ELIMINATE PUSH AND GO EFFECT.

IF AFTER TROUBLESHOOTING A PROBLEM, A SATISFACTORY SOLUTION CANNOT BE ACHIEVED, PLEASE CALL B.E.A., INC. FOR FURTHER ASSISTANCE DURING EASTERN STANDARD TIME AT 1-800-523-2462 FROM 8AM - 5PM. FOR AFTER-HOURS, CALL EAST COAST: 1-866-836-1863 OR 1-800-407-4545 / MID-WEST: 1-888-308-8843 / WEST COAST: 1-888-419-2564. DO NOT LEAVE ANY PROBLEM UNRESOLVED. IF YOU MUST WAIT FOR THE FOLLOWING WORKDAY TO CALL B.E.A., LEAVE THE DOOR INOPERABLE UNTIL SATISFACTORY REPAIRS CAN BE MADE. NEVER SACRIFICE THE SAFE OPERATION OF THE AUTOMATIC DOOR OR GATE FOR AN INCOMPLETE SOLUTION. WEB: WWW.BEASENSORS.COM

		100 ENTERPRISE DRIVE PITTSBURGH, PA 15275 PHONE: (412) 249-4100 FAX: (412) 249-4101 EMAIL: www.beasensors.com	
TITLE: LO-21B/U ACTIVATION WIRED TO LE-21 TO ELIMINATE PUSH-N-GO EFFECT			
SIZE: B	DRAWN BY: KJG	REV BY: TUC	PART NO: 80.0178.02
SCALE: NONE	DATE: 01 DEC 2005	SHEET 1 OF 1	



- NOTE: 1) BODYGUARD SHALL BE 40" APART CENTER TO CENTER
 2) SWITCH SHALL OPEN 10 DEGREES OR LESS FROM CLOSE POSITION.
 3) THE BODYGUARD RELAY OUTPUT FUNCTION MUST BE CHANGED TO A VALUE OF 2. THE DEFAULT VALUE IS 1.

IF AFTER TROUBLESHOOTING A PROBLEM, A SATISFACTORY SOLUTION CANNOT BE ACHIEVED, PLEASE CALL B.E.A., INC. FOR FURTHER ASSISTANCE DURING EASTERN STANDARD TIME AT 1-800-523-2462 FROM 8AM - 5PM. FOR AFTER-HOURS, CALL EAST COAST: 1-866-836-1863 OR 1-800-407-4545 / MID-WEST: 1-888-308-8843 / WEST COAST: 1-888-419-2564. DO NOT LEAVE ANY PROBLEM UNRESOLVED. IF YOU MUST WAIT FOR THE FOLLOWING WORKDAY TO CALL B.E.A., LEAVE THE DOOR INOPERABLE UNTIL SATISFACTORY REPAIRS CAN BE MADE. NEVER SACRIFICE THE SAFE OPERATION OF THE AUTOMATIC DOOR OR GATE FOR AN INCOMPLETE SOLUTION. WEB: WWW.BEASENSORS.COM



100 ENTERPRISE DRIVE
 PITTSBURGH, PA 15275
 PHONE: (412) 249-4100
 FAX: (412) 249-4101
 EMAIL: www.beasensors.com

**TITLE: DOUBLE EGRESS W/LO21P,
 BODYGUARD, EAGLE, PUSH PLATE
 KNOWING ACT**

SIZE: A	DRAWN BY: TUC	REV BY: TUC	PART NO: 80.0204.01
	SCALE: NONE	DATE: 11 NOV 2005	SHEET 1 OF 1

Free Manuals Download Website

<http://myh66.com>

<http://usermanuals.us>

<http://www.somanuals.com>

<http://www.4manuals.cc>

<http://www.manual-lib.com>

<http://www.404manual.com>

<http://www.luxmanual.com>

<http://aubethermostatmanual.com>

Golf course search by state

<http://golfingnear.com>

Email search by domain

<http://emailbydomain.com>

Auto manuals search

<http://auto.somanuals.com>

TV manuals search

<http://tv.somanuals.com>