



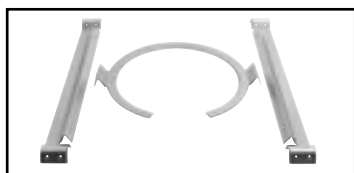
STRATEGY SERIES® II 6" CEILING SPEAKER SYSTEMS

FAP62T
FA62T-8MB

One



FAP62T



C-Ring/V-Rail
Mounting System
(included)



(optional)
FAP62-TR

FEATURES

- Extended low frequency response from the 475 cubic inch optimally tuned and ported deep drawn galvanized steel enclosure
- Easy installation in drop tile or sheetrock ceilings via C-ring/V-rail tile bridge and "dog leg" mounting system (Included)
- Front mounted tap selector switch for easy system tuning adjustments includes transformer bypass setting for 8 ohm direct coupled operation
- Unique "trap door" input section allows for through conduit runs with rigid or flex conduit
- 4 Pole detachable "phoenix" style connector allows easy pre-wiring and is convenient for daisy chaining additional Strategy full range speakers or subwoofers
- "Press fit" grilles blend better into contemporary architecture
- Enhanced quality 70.7V/100V internal transformers minimize insertion loss and maintain low frequency response while providing increased output for higher SPL applications
- UL Listing Pending

APPLICATIONS

FAP62T combines superior coaxial loudspeaker performance with even dispersion and easy installation. A low profile enclosure and wide coverage make the FAP62T a perfect choice for low ceilings. The FAP62T will satisfy the needs of owners, architects, contractors, and consultants by delivering true, high fidelity sound reproduction in an attractive and easy-to-install system. The FAP62T is ideal for high-intelligibility voice, music, and signal reproduction in commercial, industrial, and institutional applications.

GENERAL DESCRIPTION

The FAP62T's 110 degree dispersion angle can reduce the number of loudspeakers necessary to achieve coverage in distributed systems with low ceilings.

The loudspeaker component matches the performance of the legendary Atlas Sound FA136 driver. High quality construction 1" voice coil 6" coaxial cone type driver includes polypropylene cone with a butyl rubber surround. The 19mm coaxially mounted tweeter is constructed of PEI. A high sensitivity of 88dB average (92dB peak) means less power may be required to achieve the desired SPL. This loudspeaker is factory assembled to an optimally tuned & ported deep drawn enclosure and includes a specially designed 32 watt low saturation 70.7V/100V transformer. A convenient front mounted selector switch allows tap selection without the need to remove the speaker from the ceiling. This switch also includes a transformer bypass setting for 8 ohm direct coupled operation.

MOUNTING ACCESSORIES

Mounting is simplified with Strategy style "dog leg" tabs that allow easy installation into drop tile or drywall ceilings with provided tile bridge assembly. The tile bridge consists of (2) "V" shaped formed mounting rails and a c-ring assembly. The c-ring can be attached to the rails with the screws provided to extend support to the t-bar grid in suspended ceiling applications. Multiple hole locations are provided to allow the c-ring to be positioned to the outer edge of the tile if necessary.

For existing dry-wall applications the tile bridge c-ring and support rails can be inserted into the hole cut for the FAP62T. For easy positioning the "V" shaped support rails match the shape of the C-ring tabs for easy maneuvering and location when working "blindly" above the deck. A uniquely designed "easy access" input panel on the side of the enclosure allows for "thru" conduit runs using flexible or rigid conduit. Below this cover resides a detachable Phoenix style locking four-pole connector, which provides for easy daisy chain wiring to other full range 70.7V loudspeakers or Atlas Sound FASUB70 subwoofers. The package includes an attractive press-fit grille, which nicely matches contemporary architecture.

For new construction drywall ceiling applications, the optional FAP62-TR trim ring is available. This unit provides a marked location for drywall installers to cut around essentially reserving the desired location in the ceiling until final installation of FAP62T. Mounting holes are provided to accommodate 16" or 24" OC stud/joist mounting.

A support ring is also provided on the top of the FAP62T enclosure to facilitate an auxiliary support cable. **NOTE: IT IS MANDATORY THAT THIS SECONDARY SUPPORT BE UTILIZED IN DROP CEILINGS FOR SAFETY AND SEISMIC CONSIDERATIONS).**

PERFORMANCE SPECIFICATIONS BY MODEL

MODEL	POWER RATING	70.7V TAPS	FREQUENCY RESPONSE (±7dB)	SENSITIVITY (1W/1M)	WOOFER	WOOFER MAG WT.	HF DRIVER	DIMENSIONS	ENCLOSURE VOLUME	CUT-OUT DIMENSION	WEIGHT-LESS TILE BRIDGE
FAP62T	50 Watts (Transformer Limited)	2, 4, 8, 16, 32	63Hz-20kHz	88dB Average	6" Ploy Cone Butyl Rubber Surround	14 oz (398g)	Coaxially Mounted PEI Dome Tweeter	12.5" (318mm) Dia. 8.48" (215mm) OverAll Height	475 Cubic Inches	11" (279mm)	9.5 lbs. (4.4kg)

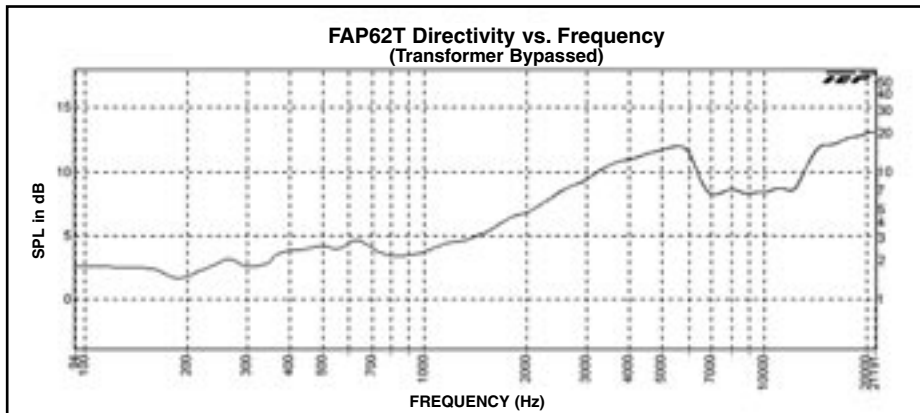
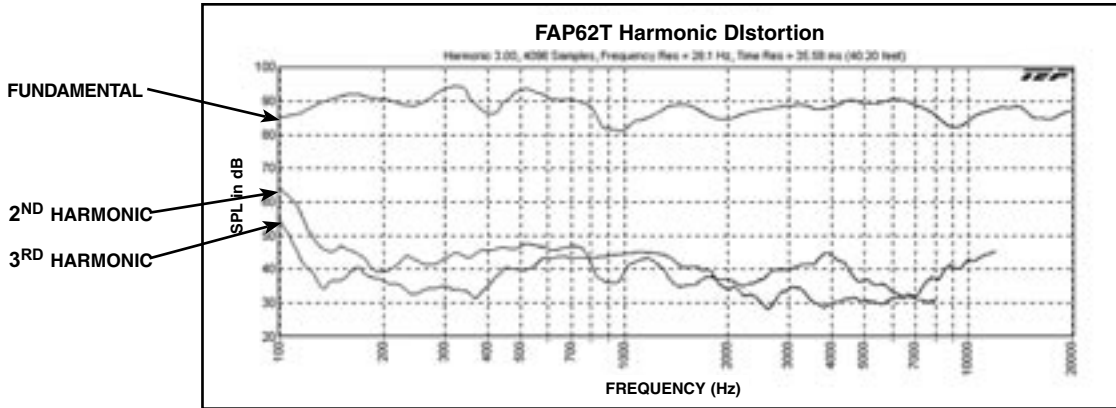
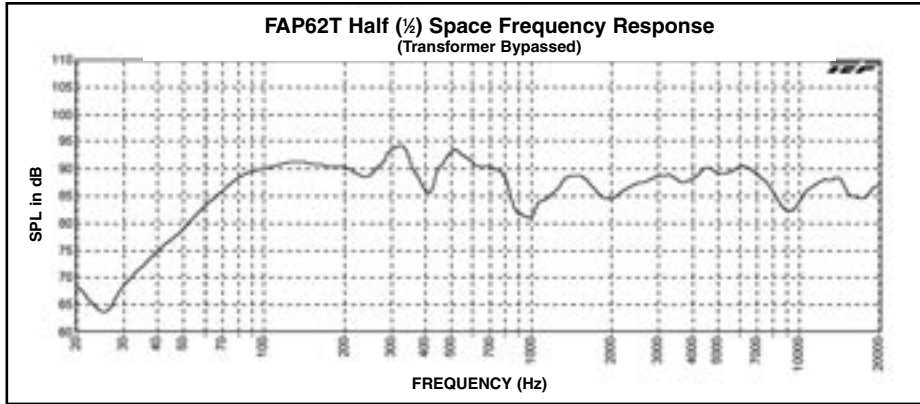
Specifications subject to change without notice



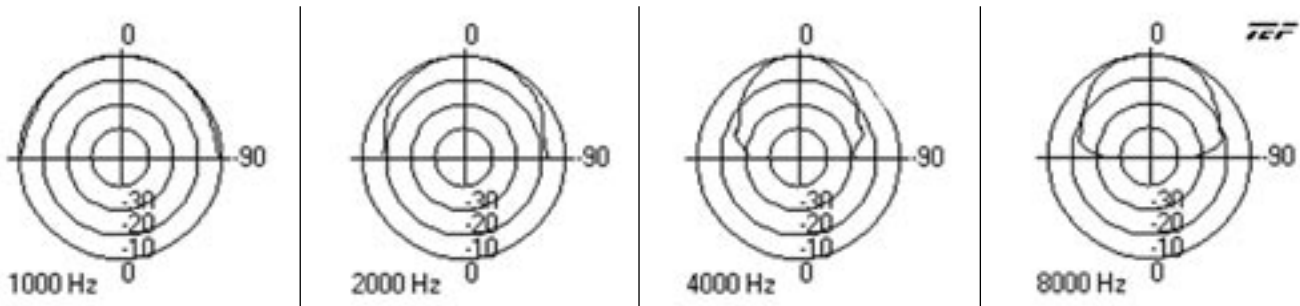
1601 JACK MCKAY BLVD. / ENNIS, TEXAS 75119 U.S.A.
TELEPHONE: (800) 876-3333 / FAX (800) 765-3435

AtlasSound.com

2.29



FAP62T Polars



Specifications subject to change without notice



1601 JACK MCKAY BLVD. / ENNIS, TEXAS 75119 U.S.A.
TELEPHONE: (800) 876-3333 / FAX (800) 765-3435

AtlasSound.com

ARCHITECTS AND ENGINEERS SPECIFICATIONS

The loudspeaker system shall be Atlas Sound FAP62T. System shall include a high performance 6" coaxial loudspeaker, ported bass reflex enclosure and press-fit grille for conventional ceiling installation.

Frequency response for the system shall be 63Hz to 20kHz (±7dB). Sensitivity shall be 88dB average.

Loudspeaker shall be comprised of an 6" coaxial cone type driver. Cone shall be constructed of polypropylene with a butyl rubber surround. The 19mm tweeter shall be constructed of PEI. Magnet shall be a minimum of 10oz. (264g) and the voice coil diameter shall be 1" (25mm).

Transformer shall be (70.7/100V) volt type with 2, 4, 8, 16 and 32 watt primary taps (@70.7V) with a front mounted tap selector switch to include transformer bypass setting for 8 ohm direct coupled operation.

Enclosure shall be a deep drawn steel enclosure design acoustically treated with fiberglass lining. Internal volume shall be 475 cubic inches. To facilitate connection in conduit systems, enclosure shall be equipped with an access panel covering a recessed terminal cup. This cover shall provide a combination 3/4" (19mm inside diameter) / 1" (25mm inside diameter) knock-out on the side access and a top access compression fitting/strain relief to facilitate flexible conduit up to 22mm outside diameter or 1" (25mm inside diameter) conduit when the compression fitting is removed.

External wiring shall be accomplished via a removable lockable wiring connector with screw-down terminals to provide both secure wire termination and pre-wiring capability before loudspeaker installation. The 4 pole locking connector shall facilitate in/out connections and shall be

located in the recessed area behind the conduit access panel.

Seismic support eye shall be provided on top of enclosure for additional suspension point when used in drop tile ceilings. Construction of enclosure shall be a minimum of 18 gauge deep drawn galvanized metal.

The system shall include a support backing plate to reinforce the ceiling material and tile support rails for use on either 2' x 4' (609mm x 1219mm) or 2' x 2' (609 x 609mm) suspended ceiling tiles. This assembly can all be installed from beneath the ceiling tile.

Overall front face diameter shall not exceed 12.5" (318mm); overall depth from the bottom of the ceiling shall not exceed 8.48" (215mm). Grilles shall be press-fit, manufactured from 24 gauge perforated steel mesh and finished in white epoxy. Round grill shall be 10.48" (266mm) Diameter.

The loudspeaker shall weigh no more than 9.5 lbs (4.41kg).

The loudspeaker shall be the Atlas Sound FAP62T.



MOTORBOARD ASSEMBLIES

Atlas Sound has also addressed retrofit and "division of labor" installations with a new "motorboard" version of the Strategy Series II. Model F62T-8MB is comprised of: 6" speaker/transformer/selector switch and front plate. The footprint of the F62T-8MB is identical to a standard FA Series 8" speaker component, which allows a motorboard to fit into all current Strategy Series 8" enclosures in the exact manor as a regular FA speaker.

FA62T-8MB – "MOTORBOARD" ARCHITECTS AND ENGINEERS SPECIFICATIONS

The loudspeaker system shall be Atlas Sound F62T-8MB. System shall include a high performance 6" coaxial loudspeaker and tap selector switch mounted to a ported mounting plate appropriately sized to match Atlas Sound FA95-8, FA97-8 enclosures. When used with the FA97-8 enclosure frequency response for the system shall be 63Hz to 20KHz (±7dB). Sensitivity shall be 88dB average. Loudspeaker shall be comprised of a 6" coaxial cone type driver. Cone shall be constructed of polypropylene with a butyl rubber surround. The 19mm tweeter shall be constructed of PEI. Magnet shall be a minimum of 10oz. (264g) and the voice coil diameter shall be 1" (25mm). Transformer shall be (70.7/100V) volt type with 2, 4, 8, 16 and 32 watt primary taps (@70.7V). 12" stripped & tinned wiring pigtailed shall be terminated to the tap selector switch for convenient hook-up. The motorboard assembly shall weigh no more than 4 lbs. (1.81kg) The motorboard assembly shall be the Atlas Sound FA62T-8MB.

SPECIFICATIONS									
MODEL	POWER RATING	70.7V TAPS	FREQUENCY RESPONSE (±7dB)	SENSITIVITY (1W/1M)	WOOFER	WOOFER MAGNET WT	HF DRIVER	MATCHES ENCLOSURE	WEIGHT-LESS TILE BRIDGE
FA62T-8MB	50 Watts (Transformer Limited)	2, 4, 8, 16, 32	63Hz - 20kHz (in FA97-8 Enc.)	88dB Average	6" Poly Cone Butyl Rubber Surround	14 oz. (398g)	Coaxially Mounted PEI Dome Tweeter	FA95-8, FA97-8	4 Lbs. (1.81kg.)

Specifications subject to change without notice



1601 JACK MCKAY BLVD. / ENNIS, TEXAS 75119 U.S.A.
TELEPHONE: (800) 876-3333 / FAX (800) 765-3435

AtlasSound.com

Free Manuals Download Website

<http://myh66.com>

<http://usermanuals.us>

<http://www.somanuals.com>

<http://www.4manuals.cc>

<http://www.manual-lib.com>

<http://www.404manual.com>

<http://www.luxmanual.com>

<http://aubethermostatmanual.com>

Golf course search by state

<http://golfingnear.com>

Email search by domain

<http://emailbydomain.com>

Auto manuals search

<http://auto.somanuals.com>

TV manuals search

<http://tv.somanuals.com>