



AH5040CD

HIGH PERFORMANCE CONSTANT DIRECTIVITY 15" TWO-WAY
INDOOR/OUTDOOR LOUDSPEAKER SYSTEM

Specifications are subject to change without notice



AtlasSound.com

1601 JACK MCKAY BOULEVARD ENNIS, TEXAS 75119 U.S.A. •
©2004 ATLAS SOUND LP

Printed in U.S.A.

TELEPHONE: (800) 876-3332 • FAX: (800) 765-3435
ATS001856 RevA 7/04 PP



TABLE OF CONTENTS

Safety Instructions...

Suspension and

Introduction, Features, Applications.....4

Installation Via Included Mounting Bracket.....5

Suspended Installa

Speaker Cable Recommendations and Connection Instructions.....9

Amplifier Conside

Specifications..... 1

Troubleshooting..... 1

Warranty Informati

Specifications are subject to change without notice



AtlasSound.com



SAFETY INSTRUCTIONS

Please Read Carefully Before Installing or Operating

- Read all instructions carefully
- Heed all warnings
- Assure that speaker is securely mounted

Hearing Damage

CAUTION: All professional loudspeaker systems are capable of generating very high sound pressure levels. Use care with placement and operation to avoid exposure to excessive levels that can cause permanent hearing damage.

SUSPENSION & MOUNTING

Suspension or "flying" speaker systems requires training and expertise. Improper rigging of a flying speaker may result in injury, death, equipment damage, and legal liability. Installation **must** be carried out by fully qualified installers, in accordance with all required safety codes and standards at the place of installation.

A **5:1** design factor is a generally accepted minimum standard. However, legal requirements for overhead suspension vary by municipality, please consult your local safety standards office before installing any product. We also recommend that you thoroughly check any laws and bylaws prior to installation.

Loudspeakers flown in theatres, nightclubs, conference centers or other places of work and entertainment must be provided with an independent, correctly rated and securely attached secondary safety — in addition to the principle suspension point(s). This secondary safety must prevent the loudspeaker from dropping more than (6") should the principle suspension device fail. If you lack the skills, training, and proper ancillary equipment to fly a speaker system do not attempt to do so.

For additional information regarding the suspension of loudspeakers or to purchase rigging materials please contact our friends at ATM Group, Inc., 21000 S. Wilmington Avenue, Carson, CA 90810.

www.atmflyware.com

Tel (310) 834-5914, Fax (310) 834-3042

- Always assure power is off to amplifiers before making any connections
- Assure that all electrical equipment is properly grounded
- Keep instructions for future reference
- Should any questions arise after reading this document please call Atlas Sound Tech Support at 800-876-3333

Specifications are subject to change without notice



AtlasSound.com

1601 JACK MCKAY BOULEVARD ENNIS, TEXAS 75119 U.S.A. • TELEPHONE: (800) 876-3332 • FAX: (800) 765-3435
©2004 ATLAS SOUND LP Printed in U.S.A. AT5001856 RevA 7/04 PP



THE AH5040CD LOUDSPEAKER SYSTEM

Thank you for your purchase of the Atlas Sound AH5040CD. We have designed this product to be a reliable and versatile solution to your needs for years to come.

The AH5040CD features high output, outstanding pattern control and amazing low frequency response for indoor and outdoor applications including football stadiums, sports arenas, baseball fields and large auditoriums.

A 50° horizontal by 40° vertical coverage (800 Hz octave band) provides tight yet effective dispersion specifically for long throw applications.

The unit features a 15" low frequency woofer and a coaxial mounted 1" exit compression driver providing frequency response from 80 Hz to 15 kHz (± 5 dB). A highly efficient internal passive crossover network insures proper transition between the (2) drivers.

**AH5040CD**

FEATURES

- An efficiency rating of 103dB 1Watt/1Meter makes the AH5040CD a perfect choice for high energy music playback at sporting events as well as extended range speech reinforcement.
- Weather & rodent resistant. Multiple mesh screens over the front of the main horn protect the speaker from weather and/or rodent damage.
- Easy installation. Heavy duty mounting bracket is included.

APPLICATIONS

The AH5040CD is ideal for stadiums, outdoor fields, theaters, auditoriums, and convention center spaces. The AH5040CD can be used for paging, announcements, background/foreground music and/or internal communications.

Specifications are subject to change without notice

**Atlas
Sound****AtlasSound.com**

1601 JACK MCKAY BOULEVARD ENNIS, TEXAS 75119 U.S.A. • TELEPHONE: (800) 876-3332 • FAX: (800) 765-3435
©2004 ATLAS SOUND LP Printed in U.S.A. ATSS001856 RevA 7/04 PP



INSTALLATION VIA MOUNTING BRACKET (INCLUDED)

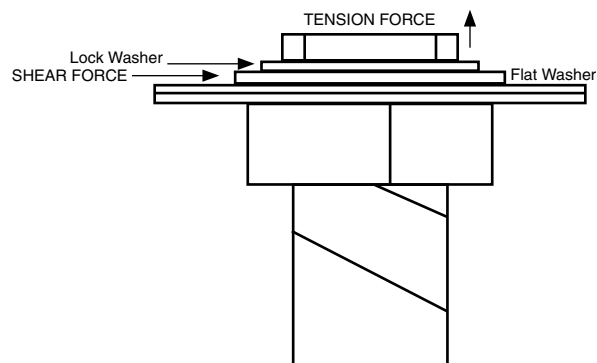
General considerations and hardware recommendations

CAUTION: The AH5040CD weighs 81 pounds (36.7kg). A fall from almost any height could result in serious injury or death. Assure that the speaker is firmly mounted to an object that can handle the weight of the AH5040CD. Remember that wind will add considerable torque to the point of attachment. The mounting surface the AH5040CD is being attached to should be able to handle five or more times the weight of the AH5040CD (7x recommended for locations subject to high wind forces).

Whenever the loudspeaker is mounted to a surface using the bracket, the installer must ensure that the surface is capable of safely and securely supporting the load. The hardware employed must be safely and securely attached both to the loudspeaker and the surface in question, using only the mounting holes. A general rule for soft surface installations (wood beams) is to multiply the corresponding working load limit by 75%: the result will be an approximation of working load strength.

Use thread locking compound for all installations.

CAUTION: Mount the speaker such that the shear force is at a right angle to the mounting bolts, and close to the connection, as shown:



When mounting the AH5040CD to a solid surface use the proper bolts, washers and lock washers (Grade 5 minimum). Do not substitute mismatched bolts and washers.

The AH5040CD may be mounted to a pole or scoreboard. For such mounting, contact the light pole or scoreboard manufacturer for proper instructions.

If mounting to another surface, such as a beam, see the diagram on page 7 for mounting hole locations. **When in doubt contact a qualified structural/mechanical engineer for approval of the mounting materials and methods.**

Specifications are subject to change without notice

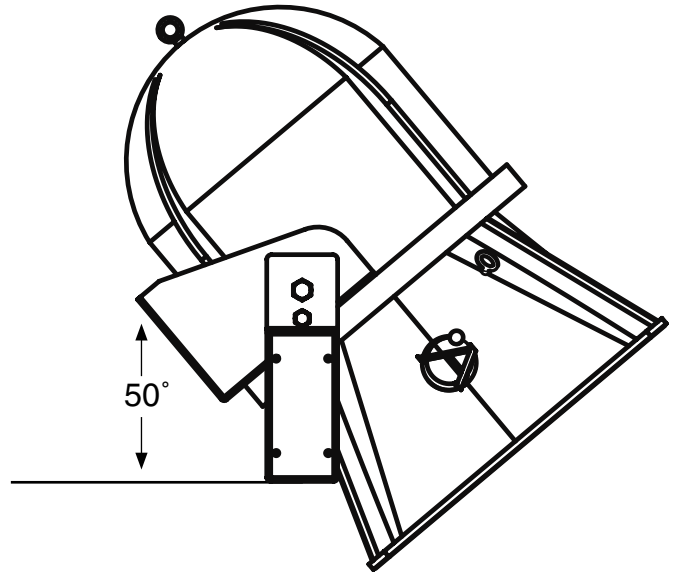
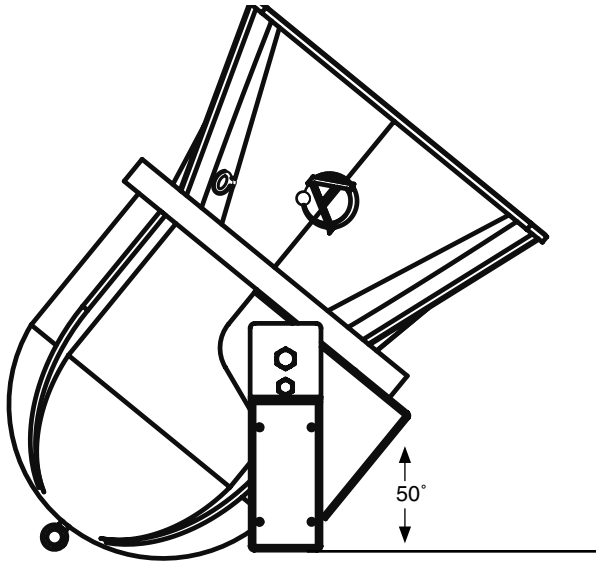


AtlasSound.com

1601 JACK MCKAY BOULEVARD ENNIS, TEXAS 75119 U.S.A. • TELEPHONE: (800) 876-3332 • FAX: (800) 765-3435
©2004 ATLAS SOUND LP Printed in U.S.A. AT5001856 RevA 7/04 PP



Assure that the AH5040CD can be mounted in a manner that the sound pattern will be directed in the desired direction without any physical interference. Note that the AH5040CD mounting bracket allows the speaker to be tilted 50 degrees in either direction (100 degrees total). See illustration below.



Weep-holes (for drainage) are located on the same side as the input connectors. If the speaker is tilted above parallel to the ground, the speaker should be installed with the weep holes **down** for water drainage.

Specifications are subject to change without notice



**Atlas
Sound**

AtlasSound.com

1601 JACK MCKAY BOULEVARD ENNIS, TEXAS 75119 U.S.A. •
©2004 ATLAS SOUND LP

Printed in U.S.A.

TELEPHONE: (800) 876-3332 • FAX: (800) 765-3435
ATS001856 RevA 7/04

PP

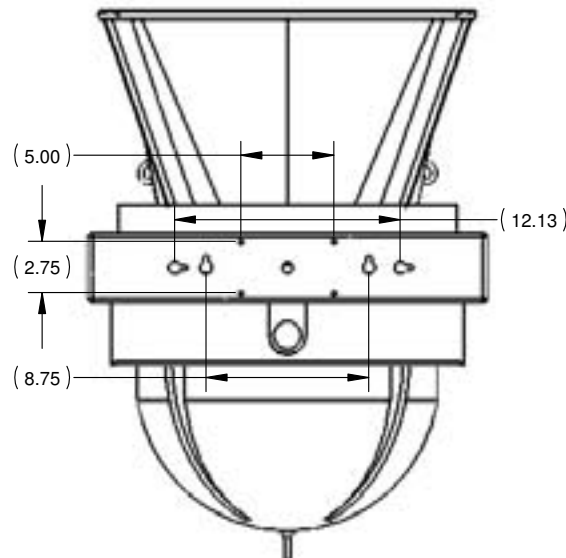


MOUNTING

CAUTION: Mounting the AH5040CD requires two people, unless it is possible to safely clamp the speaker in position for alignment before mounting.

The bracket may be removed from the AH5040CD for installation convenience. When re-attaching speaker to bracket be sure to tightly secure speaker mounting bolts. Thread locking compound should also be used in this operation.

1. Choose the bracket mounting holes best suited for the surface you are mounting to. For best stability the 5/8" (16mm) diameter outer keyhole slots @ 12-1/8" OC spacing are recommended. When using these mounting holes 1/2" (grade 5 hardware minimum) hardware should be used with proper flat and lock washers. Remember to use thread- locking compound on all parts.
2. Use the dimensions noted on the above illustration to mark the points where the starting hole should be drilled.
3. Choose appropriately sized bit and drill holes.
4. Attach speaker bracket, using bolt, flat washer, and lock washer as shown and re-attach loudspeaker to bracket.
5. Secondary (safety) suspension point: Use a load rated cable or steel chain (capable of holding the speaker should it come loose from the primary mounting point). This cable or chain assembly should be attached to at least (2) of the drop forge eyebolts provided on the AH5040CD and secured to the mounting surface via approved, load rated hardware.



BOTTOM VIEW

Specifications are subject to change without notice



**Atlas
Sound**

AtlasSound.com

1601 JACK MCKAY BOULEVARD ENNIS, TEXAS 75119 U.S.A. •
©2004 ATLAS SOUND LP

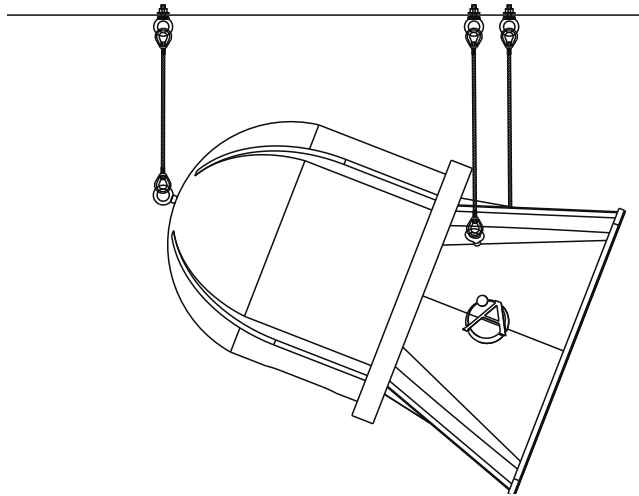
Printed in U.S.A.

TELEPHONE: (800) 876-3332 • FAX: (800) 765-3435
ATS001856 RevA 7/04

PP



SUSPENDED INSTALLATION VIA EYEBOLTS (INCLUDED) AND 1/4" DIAMETER WIRE ROPE

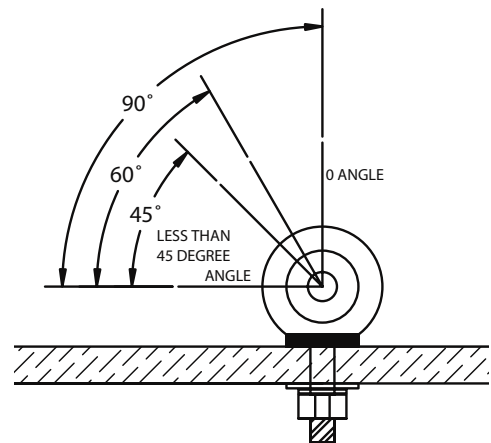


Note: Use of 1/4" load rated wire rope is suggested to provide a static working load limit of 1400 lbs(635kg) / moving load limit of 875lbs (397kg) per fly point. 1/8" cable is not recommended as load limits are reduced to 400lbs (181kg) static, and 250lbs (113kg) moving.

Considerations for overhead suspension using AH5040CD eyebolts and wire rope:

1. Always apply the load to the eye in the plane of the eye.
2. Always use shoulder eyebolts for angular lifts.
3. Always tighten eyebolts securely against the load.
4. Apply first load to test the assembly. This load should be of equal or greater weight than the loads expected in use.
5. Use wire rope compression fittings & thimbles whenever possible and prepare terminations only as instructed by the manufacturer.
6. If wire rope clips are used check and retighten to the manufacturer's recommended torque.

Eyebolt Working Load Limits
1/4" Shank (Provided with AH5040CD)
0° angle: 650 lb (295 kg)
60° angle: 420 lb (191kg)
45° angle: 195 lb (88kg)
Less than 45° angle: 160 lb (73kg)



Specifications are subject to change without notice



AtlasSound.com

1601 JACK MCKAY BOULEVARD ENNIS, TEXAS 75119 U.S.A. • TELEPHONE: (800) 876-3332 • FAX: (800) 765-3435

©2004 ATLAS SOUND LP

Printed in U.S.A.

ATS001856 RevA 7/04

PP



SPEAKER CABLE RECOMMENDATIONS AND CONNECTION INSTRUCTIONS

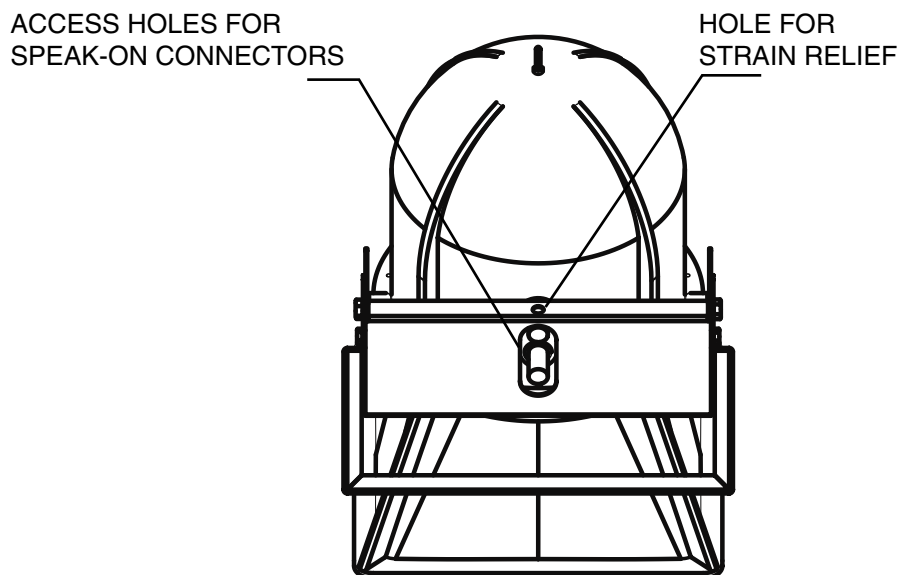
Wire Gauges (8-ohm operation)

For very short distance speaker cable runs (less than 25') #16-Gauge, stranded, twisted pair speaker cable may be used. For speaker cable runs between 25' and 75', #14-Gauge, stranded, twisted pair speaker cable is recommended. For speaker cable runs greater than 75' #12-Gauge, stranded, twisted pair speaker cable is necessary.

The AH5040CD uses (2) Speakon™ NL-4 connectors. Both connectors are paralleled with pins 1+ and 1- as the speaker input. Pins 2+ and 2- are paralleled to allow "daisy chaining" to other AH5040CD's.

Check the labeling on the Speakon cable connectors for the Speakon wiring diagram.

The figure below shows the location of the access holes for the Speakon connectors.



The connection wiring should be routed through the access holes (as shown above) and attached to the Speakon connectors. Allow an adequate service loop for this connection to allow tilt of the loudspeaker.

Weep-holes (for drainage) are located on the same side as the input connectors. If the speaker is tilted above parallel to the ground, the speaker should be installed with the weep holes down for water drainage.

Specifications are subject to change without notice



**Atlas
Sound**

AtlasSound.com

1601 JACK MCKAY BOULEVARD ENNIS, TEXAS 75119 U.S.A. •
©2004 ATLAS SOUND LP

Printed in U.S.A.

TELEPHONE: (800) 876-3332 • FAX: (800) 765-3435
ATS001856 RevA 7/04

PP



Amplifier Considerations

Consult your amplifier owner's manual to confirm power output at the rated impedance. Each AH5040CD exhibits an 8 ohm (nominal) impedance.

- (2) AH5040CD's paralleled will present a 4 ohm load to the amplifier.
- (3) AH5040CD's paralleled will present a 2.66 ohm load to the amplifier.
- (4) AH5040CD's paralleled will present a 2 ohm load to the amplifier.

ATLAS SOUND speaker system specifications list **RMS power** handling. As a reference **peak power = RMS x 1.414**.

These ratings should be considered in selecting the best amplifier to power the speaker system.

For general use, amplifier output should match or exceed the **RMS rated power** of the speaker system (250 watts for the AH5040CD).

For increased headroom and dynamic reproduction, the amplifier's output should match or exceed the **peak power** rating of the speaker system (354 watts for the AH5040CD).

In situations where experienced professionals are operating the speaker system with proper limiting and frequency control devices inserted into the signal path and adjusted properly, amplifier output may meet, **but should not exceed 2x the RMS** power rating of the speaker system (500 Watts for the AH5040CD).

Specifications are subject to change without notice



AtlasSound.com

1601 JACK MCKAY BOULEVARD ENNIS, TEXAS 75119 U.S.A. • TELEPHONE: (800) 876-3332 • FAX: (800) 765-3435
©2004 ATLAS SOUND LP Printed in U.S.A. ATSS001856 RevA 7/04 PP



SPECIFICATIONS

MODEL	POWER RATING	FREQUENCY RESP. ± 5 dB	SOUND LEVEL		DISPERSION	IMPEDANCE	DIMENSIONS	WEIGHT
			RP/1M	1W/1M				
AH5040CD	250 Watts	80 Hz 15 kHz	127dB	103dB	50° H 40° V	8 Ω Nominal	32" D 20.5" W 20.5" H	81. lbs 36.7 kg

TROUBLESHOOTING

PROBLEM	POSSIBLE CAUSE	REMEDY
There is no sound	Power off. Equipment setting is wrong. Volume set too low	Assure that power is applied to all equipment in system. Check that routing [input/output] controls set correctly. Check that volume level is above minimum.
There is no sound	Loose connection	Check system from start to finish for crossed wires, loose connection, ect. At AH5040CD check for correct connection.
Low sound level	Setting/volume control is set too low. Connection is shorted or bad.	Check volume levels at amplifiers and related equipment (equalizer). Check that connections aren't partially shorted/corroded.
Sound cuts in and out	System overload/oscillation. Intermittent connection.	Check for overload condition or bad connection.
Distortion at increased levels	Amplifier/speaker overdriven.	Check that power to speaker isn't over limits. Check that amplifier isn't overdriven. Reduce power to amplifier slightly.
Speaker makes "buzzing" noise	Hardware loose or speaker damaged.	Make sure speaker grille is tight. Check other hardware connections. Check speakers for loose parts or speaker damage.

Specifications are subject to change without notice



AtlasSound.com

1601 JACK MCKAY BOULEVARD ENNIS, TEXAS 75119 U.S.A. • TELEPHONE: (800) 876-3332 • FAX: (800) 765-3435
 ©2004 ATLAS SOUND LP Printed in U.S.A. AT5001856 RevA 7/04 PP



Limited One Year Warranty

All products manufactured by Atlas Sound are warranted to the original dealer/installer, industrial or commercial purchaser to be free from defects in material and workmanship and to be in compliance with our published specifications, if any. "This warranty shall extend from the date of purchase for a period of five years on all Atlas Sound products, including SOUNDOLIER brand, and ATLAS SOUND brand products except as follows: one year on electronics and control systems; one year on replacement parts; and one year on Musician Series stands and related accessories. Additionally, fuses and lamps carry no warranty." Atlas Sound will solely at its discretion, re-place at no charge or repair free of charge defective parts or products when the product has been applied and used in accordance with our published operation and installation instructions. We will not be responsible for defects caused by improper storage, misuse (including failure to provide reasonable and necessary maintenance), accident, abnormal atmospheres, water immersion, lightning dis-charge, or malfunctions when products have been modified or operated in excess of rated power, altered, serviced or installed in other than a workmanlike manner. The original sales invoice should be retained as evidence of purchase under the terms of this warranty. All warranty returns must comply with our re-turns policy set forth below. When products returned to Atlas Sound do not qualify for repair or replacement under our warranty, repairs may be performed at prevailing costs for material and labor unless there is included with the returned product(s) a written request for an estimate of repair costs before any non-warranty work is performed. In the event of replacement or upon completion of repairs, return shipment will be made with the transportation charges collect.

EXCEPT TO THE EXTENT THAT APPLICABLE LAW PREVENTS THE LIMITATION OF CONSEQUENTIAL DAMAGES FOR PERSONAL INJURY, ATLAS SOUND SHALL NOT BE LIABLE IN TORT OR CONTRACT FOR ANY DIRECT, CONSEQUENTIAL OR INCIDENTAL LOSS OR DAMAGE ARISING OUT OF THE INSTALLATION, USE OR IN-ABILITY TO USE THE PRODUCTS. THE ABOVE WARRANTY IS IN LIEU OF ALL OTHER WARRANTIES INCLUDING BUT NOT LIMITED TO WARRANTIES OF MER-CHANTABILITY AND FITNESS FOR A PARTICULAR PURPOSE.

Atlas Sound does not assume, or does it authorize any other person to assume or extend on its behalf, any other warranty, obligation or liability. This warranty gives you specific legal rights and you may have other rights which vary from state to state.

Specifications are subject to change without notice



AtlasSound.com

1601 JACK MCKAY BOULEVARD ENNIS, TEXAS 75119 U.S.A. • TELEPHONE: (800) 876-3332 • FAX: (800) 765-3435
©2004 ATLAS SOUND LP Printed in U.S.A. ATSO01856 RevA 7/04 PP

Free Manuals Download Website

<http://myh66.com>

<http://usermanuals.us>

<http://www.somanuals.com>

<http://www.4manuals.cc>

<http://www.manual-lib.com>

<http://www.404manual.com>

<http://www.luxmanual.com>

<http://aubethermostatmanual.com>

Golf course search by state

<http://golfingnear.com>

Email search by domain

<http://emailbydomain.com>

Auto manuals search

<http://auto.somanuals.com>

TV manuals search

<http://tv.somanuals.com>