



GENERAL DESCRIPTION

- Atlas Sound Models APF-15U, APF-15TU and APF-15TUC are high efficiency, U.L. Listed double re-entrant type loud speakers. They comply with the requirements of UL Standard 1480, Fire Protective Signalling Speakers.
- They are designed to be used in conjunction with compatible control equipment for high intelligibility reproduction of audible emergency and protective signals as well as voice messages.
- Model APF-15TUC includes a supervisory capacitor and is suitable for installation in systems employing supervised circuitry (25V/70.7V). Maximum supervised circuit voltage is 24 VDC.
- For use in ambient ranges from -40°C to 66°C.

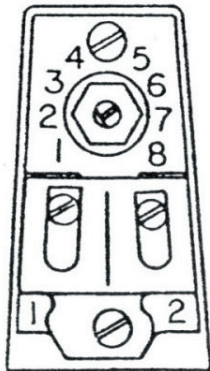
SPECIFICATIONS

POWER: 15 Watts RMS

FREQUENCY RESPONSE: 400-4,000Hz

SOUND LEVEL: 103dB UL 10' Rating (APF-15U Only)

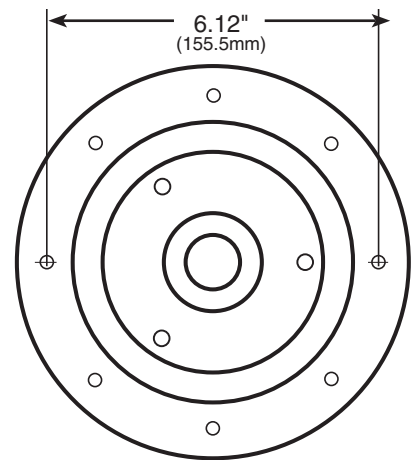
CONDUIT CONNECTION: For 1/2" Conduit



Power Tap Selector Switch

Switch Position	Impedance	25V Line	*db@ 10 Ft.	70V Line	*db@ 10 Ft.
1	5.0 K	-		.9 W	90
2	2.5 K	-		1.8 W	93
3	1.3 K	.48 W	87	3.8 W	95
4	666	.94 W	90	7.5 W	98
5	333	1.8 W	93	15.0 W	100
6	89	7.5 W	98	Do Not Use	
7	45	15.0 W	100	On 70 V.	

\* UL 3dB Increment Rating



NOTE: Terminal #2 is the positive terminal

Mounting Dimensions

WIRING DIAGRAM

To conform with UL requirements, wires must be connected as shown in wiring diagram.

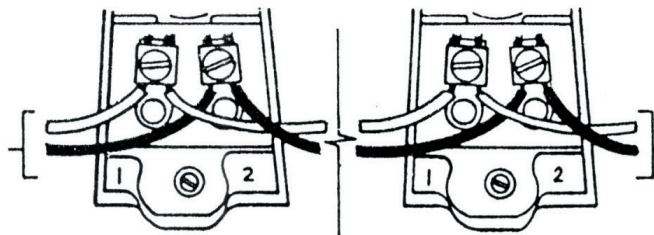
NOTE: The maximum wire size that can be connected to this device is 18 Gauge!

From Amplifier

Speaker 1

Speaker 2

To Next Speaker or End of Line Resistor



CAUTION: Do Not loop wires under screw terminals. Break wire run to provide supervision of connection. Installation must comply with all Building Codes and NFPA guidelines. Installation must adhere to N.E.C. and NFPA 70/72 wiring directives and comply with all National and Local Building Codes.

Specifications are subject to change without notice



www.AtlasSound.com

1601 JACK MCKAY BOULEVARD ENNIS, TEXAS U.S.A. • TELEPHONE: (800) 876-3332 • FAX: (800) 765-3435  
© 2005 ATLAS SOUND LP Printed in U.S.A. 000105 ATS000702 RevE 01/05 PN 8840400

## Free Manuals Download Website

<http://myh66.com>

<http://usermanuals.us>

<http://www.somanuals.com>

<http://www.4manuals.cc>

<http://www.manual-lib.com>

<http://www.404manual.com>

<http://www.luxmanual.com>

<http://aubethermostatmanual.com>

Golf course search by state

<http://golfingnear.com>

Email search by domain

<http://emailbydomain.com>

Auto manuals search

<http://auto.somanuals.com>

TV manuals search

<http://tv.somanuals.com>