

System T70 High Performance Ultra-Compact Home Theater Loudspeaker System



Covers Models T70 LR, T70 C, and T70 SR

 **Atlantic Technology**[®]
INNOVATIVE HOME THEATER

343 Vanderbilt Avenue Norwood, MA 02062 (781) 762-6300 www.atlanticttechnology.com

Download from www.Somanuals.com. All Manuals Search And Download.

Instruction Manual

SYSTEM T70

High Performance Ultra-Compact Home Theater Loudspeaker System

Thank you for choosing Atlantic Technology home theater products. Your new speaker system is precision crafted to give you years of enjoyable, trouble free service. This manual covers the Atlantic Technology T70 series of speakers for home theater. The T70 PBM Subwoofer is covered in detail in a separate manual. Every T70 component has been optimized for use with all surround sound formats including Dolby Surround®, Dolby Pro-Logic®, Dolby Digital 5.1®, Surround EX 6.1®, and DTS®.

T70 LR Front Channel Speaker

The **T70 LR Front Channel Speakers** are two-way systems **intended for use only with a quality subwoofer**. Each speaker contains a 4" TCMG (Titanium Coated Molded Graphite) woofer, and a 1" Ferrofluid® cooled, Soft Dome tweeter with a powerful neodymium magnet, in an acoustically inert MDF cabinet. The T70 LR speakers are magnetically shielded so they may be placed next to a TV set without concern.

T70 C Center Channel Speaker

The **T70 C** uses dual 4" TCMG woofers and the same 1" tweeter as the T70 LR speaker. The T70 C is designed for use **only as a dedicated center channel speaker**.

The T70 C center speaker should be placed in a horizontal position, directly above or below the TV screen. It too is magnetically shielded and will have no adverse effects on the TV.

T70 SR Surround Speaker

The **T70 SR TriVector™ Surround Speaker** is intended for use in multi-channel audio/video sound systems **only as a dedicated surround speaker**. Each enclosure has a 4" CCMG (Coated Composite Molded Graphite) woofer on the front and two wide dispersion 3/4" Modified Dome tweeters, one on each side. The dual tweeters and single woofer are electronically phased to produce diffuse ambience with limited localization. The T70 SR's unique TriVector design makes it well suited for all analog and digital surround applications.

Connecting Your System

We recommend that you connect your T70 system with high quality dual conductor stranded wire of 18 gauge or larger, for runs up to 15 feet. (Remember, the lower the gauge, the larger the wire). Use 16 gauge or larger for runs up to 30 feet and 14 gauge for runs up to 50 feet. Contact your Atlantic Technology dealer for specific cable recommendations and further information for special circumstances.

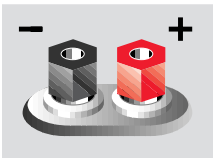
Warning: To prevent risk of electrical shock or damage to your equipment, always switch off the amplifier or receiver when making connections to the speaker.

You can connect your T70 speakers by using a variety of audio connectors such as pin connectors, spade lugs, etc., or you can:

1. Remove 1/2" of insulation from each wire end.
2. Twist the stranded wire together, keeping the two conductors separate.
3. Place the appropriate conductor through the appropriate postholes in the connectors. These holes are revealed when you loosen the connector capscrew.
4. Screw down the capscrew tightly, but be careful not to over tighten.
5. Check the tightness of the capscrews 24 hours after hookup and occasionally thereafter, as they can loosen over time.

We recommend that you check your local electrical codes to make sure that you are not using an improper connector.

Figure 1:
Gold plated
5-way binding
posts. Accepts
up to 10 gauge
bare wire



It's important to observe polarity while making speaker connections: red (+) terminals on the amplifier to red (+) on the speaker, black (-) on the amplifier to black (-) on the speaker. Look carefully at the wires you are using and note that one of conductors of each pair will be identified by color, printing on the outer jacket, ridges on the outer jacket, or a thread intertwined with the wire strands. By convention, the marked wire is connected to the red (+) terminal.

When you're done hooking up your T70 system the wiring should look like the diagram in Figure 2.

Warning: Before turning on the amplifier, be certain that no stray wire strands are touching across any terminals as this might damage your amplifier.

Finally, check the polarity of your front speakers by listening to some music. If the sound seems hollow, unusually spread out, or has weak bass, recheck your connections for proper polarity and reverse any out of phase connections, if necessary. Usually one speaker wired out of phase is the culprit.

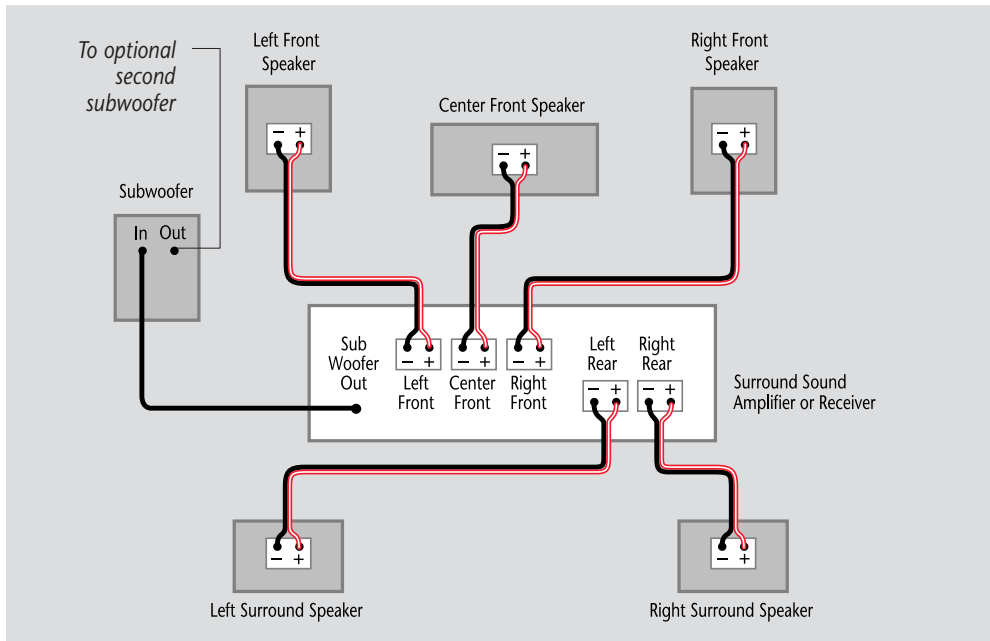
Placement and Operation

Speaker/room interactions have a huge impact on the sound of the system. Moving the speakers just a little bit can make a dramatic difference in what you hear. The ultra-compact design of T70 provides you with maximum placement flexibility, while creating a large, seamless, acoustically accurate soundfield for your home theater or music system. The best placement of the speakers will vary from room to room. Use the following placement guidelines and Figure 3 as a starting point. But also feel free to experiment. In fact, it may be beneficial to hook up the speakers with some extra wire and to simply drape the wire across the floor before installing the speakers permanently. This will allow you the opportunity to move the speakers around easily so you can find the best sonic and visual locations.

Home Theater

Remember that the primary goal of a good home theater isn't to make you believe that you are in a movie theater. It's to make you believe you are in the scene taking place on the screen. For a home theater system, optimum placement of your T70 LR speakers is 2 to 3 feet to either side of the television and 1 to 2 feet out from the wall, at ear height when seated. The left and right front speakers should be far enough apart that you get a good stereo image, but not so far apart that the sound seems to come directly from the speakers, distracting you from the picture. You may choose to "toe" the LR

Figure 2:
Typical wiring diagram for speakers in a home theater.



speakers in, aiming them at the prime listening position. This can be particularly useful if the LR speakers are fairly far apart.

The T70 C should be placed directly above or below your television. It's important that the speaker is centered on the screen, not off to the side. Place the separate speaker base so that the foot "cutouts" are closest to the front. Sit the speaker's feet in the cutouts and tilt the speaker so that it points at the listening position. Try to keep the T70 C no more than 2 feet higher or lower than the LRs.

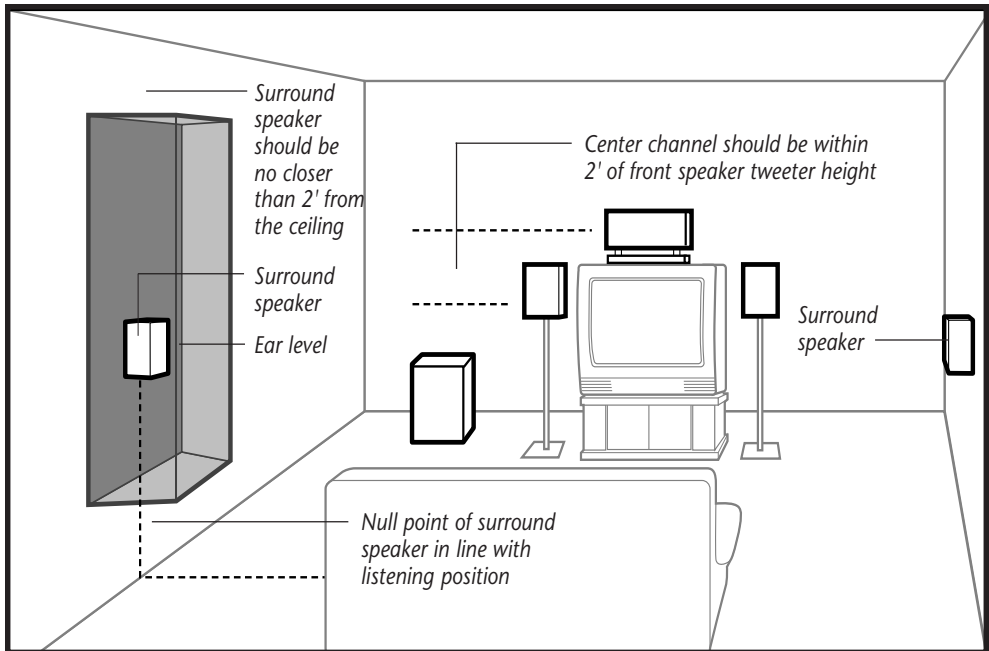
Important Note: Most surround sound decoders and receivers offer a choice of "Normal" or "Wide-band" or "Large" and "Small" modes for the some or all of the speakers in their setup menus. **All T70 speakers must be used in the Normal or Small mode, if this choice is available.**

Surround Effects

The T70 SR's size allows great placement flexibility and its unique TriVector spatial characteristics make it possible to place them almost anywhere within the rear third of the room. The best location however, is straight out to the sides of the prime listening position (+/- 15 degrees), approximately 18 to 24 inches above ear level. Do not block the sound emanating from the side-mounted tweeters.

Important Note: The surround speakers are intended to re-create the ambient sounds taking place in the movie scene. Throughout part or most of a movie you may not be directly aware of the surround speakers' presence. Try to avoid the trap of turning the surrounds up so loud that you hear them all the time. The result will be a much less believable surround sound experience.

Figure 3:
 Typical arrangement for speakers in a home theater. For best results, place the surround speakers within the shaded area.



Music

If you wish to seriously listen to music these general placement guidelines should help:

- The distance between your front LR speakers should be approximately one-half their distance from your favorite listening position.
- If you point the front of the speakers directly towards the prime listening position, you will achieve the most precise imaging. You will also receive the maximum amount of direct radiated high frequency energy. If you have a “bright” or “hard” sounding room environment, aiming the speakers straight out into the room (or just aiming them partially towards you) may make for a more natural and pleasing sonic balance.
- The distance from each speaker to the three closest room surfaces should be different.
- In most rooms, you shouldn't place your speakers in the corners.

The goal is to reproduce accurate musical timbre and natural sound. Additionally, a well set-up stereo pair of speakers will create excellent imaging and a cohesive representation of the soundstage. Placement in the room and your listening position have an enormous impact on the ultimate sound you will achieve from your system. The most important thing is to be creative! Try placing your speakers along the long wall instead of the short one. Toe the speakers in or point them straight ahead. Pull them away from the wall or push them close. Don't be timid. You'll find that moving your speakers, even a few inches, can dramatically change and possibly improve their sound.

Mounting

The T70 LR and SR speakers can be mounted in a variety of ways:

On a bookshelf Self-adhesive rubber feet to protect the speaker and the shelf are included.

On speaker stands Atlantic Technology's optional ST 166 speaker stands provide an ideal height (29" above the floor) for most rooms. There are 1/4" x 20 bolts included in the stand hardware package that screw into the matching inserts in the back of the speakers. This makes for an exceptionally secure and solid stand mounting system.

On the wall To mount your speakers on a wall, we have supplied metal keyhole brackets that attach to the back of the speakers. You'll need to turn the speakers over and attach the keyhole bracket to the 1/4" x 20 threaded insert on the back of the enclosure, using the supplied 1/4" x 20 bolts.

Be sure to use a strong wall mounting screw whose head and shaft will fit within the keyhole bracket opening. Also, be sure to drive the screw well into a stud or use a mounting device (such a molly-bolt) that is capable of holding the weight of the speaker. Never simply drive a nail or screw into sheet rock or other wall materials. Always follow these guidelines for safe speaker mounting.

Important Note: *Small self-adhesive rubber pads are supplied with your speakers. They should be used as "feet" when the speakers sit on a shelf, or on stands. When you use the keyhole mounts, place these pads on the lower rear of the enclosure, using a double thickness (one pad on top of another). This will keep the speaker level when hanging and stop it from vibrating on the wall. Atlantic also offers an optional pivoting wall bracket (AT 157WB) available from your dealer.*

Listening Levels and Power Handling—IMPORTANT!

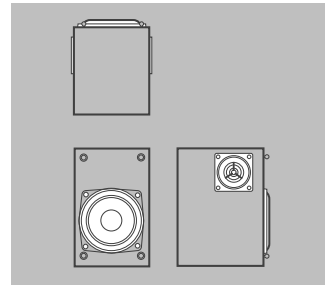
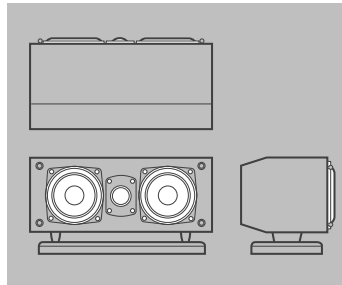
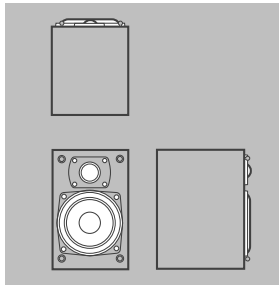
The power recommendation for these speakers assumes that you will not operate your amplifier/receiver in a way that produces distortion. Any speaker can be damaged by a moderately powered system driven beyond its intended capacity. The harsh amplifier "clipping" that occurs in this situation will inevitably cause damage to the speaker system. This type of damage is easily identifiable through examination of the speaker's voice coil and is not covered by warranty or service agreement.

Care and Feeding of Your Speakers

Clean your speaker cabinets using a soft cloth moistened with a mild, non-abrasive glass cleaner being careful not to wet the edges of the cabinet. Also, be careful not to get any cleaning fluids on the driver cones or domes. It's best to dampen the cloth with the cleaner and then wipe the speakers. After carefully removing the grilles from the speakers by pulling them forward, gently clean them with a quick pass from a vacuum cleaner with a brush attachment. This should remove any dust accumulation. Re-attach them by lining up the pegs on the front of the speakers with the holes in the grilles and pushing firmly but carefully. Avoid placing your speakers in direct sunlight or near a source of heat that may, over time, damage the finish.

Important: Save Your Boxes! *If you can do so, save the cartons, packing pieces, and plastic bags that came with your speakers. They will be useful in case you move or have to ship your loudspeakers for any reason. In any case, save all packing materials until you are certain that the speakers have suffered no damage in shipment. If you find such damage, either visible or internal, contact your dealer immediately for the proper return procedure.*

System T 70 Specifications



Model	T70 LR	T70 C	T70 SR
Type	Sealed-box, 2-way	Sealed-box, 2-way	Sealed-box, TriVector surround speaker
Drivers	(1) 4" TCMG woofers (1) 1" silk dome tweeter	(2) 4" CCMG woofers (1) 1" silk dome tweeter	(1) 4" CCMG woofers (2) 3/4" modified dome tweeters
Frequency Response (± 3 dB)	100Hz – 22kHz	100Hz – 22kHz	100Hz – 22kHz
Nominal Impedance	6 Ω	6 Ω	6 Ω
Crossover Frequency	3 kHz, 4th Order	3 kHz, 4th Order	3 kHz, 4th Order
Sensitivity	85dB	88dB	85dB
Recommended Amplifier Power	10 – 100 Watts	10 – 100 Watts	10 – 100 Watts
Magnetic Shielding	Yes	Yes	No
Size (W x H x D)	5.125 x 7.625 x 5.875in 130 x 194 x 150mm	13.2 x 6.125 x 6.7in with base 334 x 155 x 170mm with base	5.125 x 7.625 x 5.875in 130 x 194 x 150mm
Weight (ea., unpacked)	4.7lbs; 2.13kg	9.2lbs; 4.17kg w/base	4.4lbs; 1.99kg

Specifications are those in effect at the time of printing. Atlantic Technology reserves the right to change specifications or appearance at any time without notice. Dolby Digital, AC-3, 5.1, Surround EX 6.1, Dolby Surround and Dolby Pro Logic are trademarks of Dolby Laboratories Licensing Corporation. DTS is a registered trademark of DTS Technology.

For Future Reference

Record your speaker(s) serial number(s) and date of purchase here:

Model Number	Serial Number	Date of Purchase

The serial number is found on the back of the speaker near the connecting terminals.

Free Manuals Download Website

<http://myh66.com>

<http://usermanuals.us>

<http://www.somanuals.com>

<http://www.4manuals.cc>

<http://www.manual-lib.com>

<http://www.404manual.com>

<http://www.luxmanual.com>

<http://aubethermostatmanual.com>

Golf course search by state

<http://golfingnear.com>

Email search by domain

<http://emailbydomain.com>

Auto manuals search

<http://auto.somanuals.com>

TV manuals search

<http://tv.somanuals.com>