

ET1605

ASUS® T2 3-in-1 Upgrade

User's Guide

First Edition V1
March 2004

Copyright © 2004 ASUSTeK COMPUTER INC. All Rights Reserved.

No part of this manual, including the products and software described in it, may be reproduced, transmitted, transcribed, stored in a retrieval system, or translated into any language in any form or by any means, except documentation kept by the purchaser for backup purposes, without the express written permission of ASUSTeK COMPUTER INC. ("ASUS").

Product warranty or service will not be extended if: (1) the product is repaired, modified or altered, unless such repair, modification of alteration is authorized in writing by ASUS; or (2) the serial number of the product is defaced or missing.

ASUS PROVIDES THIS MANUAL "AS IS" WITHOUT WARRANTY OF ANY KIND, EITHER EXPRESS OR IMPLIED, INCLUDING BUT NOT LIMITED TO THE IMPLIED WARRANTIES OR CONDITIONS OF MERCHANTABILITY OR FITNESS FOR A PARTICULAR PURPOSE. IN NO EVENT SHALL ASUS, ITS DIRECTORS, OFFICERS, EMPLOYEES OR AGENTS BE LIABLE FOR ANY INDIRECT, SPECIAL, INCIDENTAL, OR CONSEQUENTIAL DAMAGES (INCLUDING DAMAGES FOR LOSS OF PROFITS, LOSS OF BUSINESS, LOSS OF USE OR DATA, INTERRUPTION OF BUSINESS AND THE LIKE), EVEN IF ASUS HAS BEEN ADVISED OF THE POSSIBILITY OF SUCH DAMAGES ARISING FROM ANY DEFECT OR ERROR IN THIS MANUAL OR PRODUCT.

SPECIFICATIONS AND INFORMATION CONTAINED IN THIS MANUAL ARE FURNISHED FOR INFORMATIONAL USE ONLY, AND ARE SUBJECT TO CHANGE AT ANY TIME WITHOUT NOTICE, AND SHOULD NOT BE CONSTRUED AS A COMMITMENT BY ASUS. ASUS ASSUMES NO RESPONSIBILITY OR LIABILITY FOR ANY ERRORS OR INACCURACIES THAT MAY APPEAR IN THIS MANUAL, INCLUDING THE PRODUCTS AND SOFTWARE DESCRIBED IN IT.

Products and corporate names appearing in this manual may or may not be registered trademarks or copyrights of their respective companies, and are used only for identification or explanation and to the owners' benefit, without intent to infringe.

Notices

Federal Communications Commission Statement

This device complies with Part 15 of the FCC Rules. Operation is subject to the following two conditions:

- This device may not cause harmful interference, and
- This device must accept any interference received including interference that may cause undesired operation.

This equipment has been tested and found to comply with the limits for a Class B digital device, pursuant to Part 15 of the FCC Rules. These limits are designed to provide reasonable protection against harmful interference in a residential installation. This equipment generates, uses and can radiate radio frequency energy and, if not installed and used in accordance with manufacturer's instructions, may cause harmful interference to radio communications. However, there is no guarantee that interference will not occur in a particular installation. If this equipment does cause harmful interference to radio or television reception, which can be determined by turning the equipment off and on, the user is encouraged to try to correct the interference by one or more of the following measures:

- Reorient or relocate the receiving antenna.
- Increase the separation between the equipment and receiver.
- Connect the equipment to an outlet on a circuit different from that to which the receiver is connected.
- Consult the dealer or an experienced radio/TV technician for help.

WARNING: Any changes or modifications to this product not expressly approved by the manufacturer could void any assurances of safety or performance and could result in violation of Part 15 of FCC Rules.

Reprinted from the Code of Federal Regulations #47, part 15.193, 1993. Washington DC: Office of the Federal Register, National Archives and Records Administration, U.S. Government Printing Office.

Canadian Department of Communications Statement

This digital apparatus does not exceed the Class B limits for radio noise emissions from digital apparatus set out in the Radio Interference Regulations of the Canadian Department of Communications. This class B digital apparatus complies with Canadian ICES-003.

Contents

Notices	3
1. Welcome!	5
2. Specifications	5
3. Package contents	6
4. Installing the T2 3-in-1 Upgrade Card	7
5. Installation of devices	10
6. Driver Setup	11
7. Troubleshooting	11
ASUS Contact Information	12

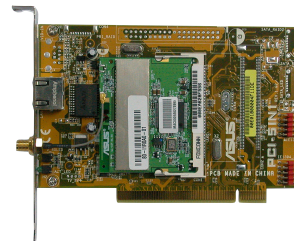
1. Welcome!

Congratulations on your purchase of an ASUS T2 3-in-1 Upgrade card! This card is efficiently designed to provide a bridge between data-intensive devices and your computer system.

The T2 3-in-1 Upgrade card combines powerful features including a Gigabit LAN controller, an IEEE 802.11b-compliant wireless LAN and an IEEE 1394 controller. The ASUS T2 3-in-1 Upgrade card provides Gigabit LAN, wireless LAN and easy-to-use digital interface for throughput devices such as DV camcorders, digital cameras, DVDs, scanners, and printers.

2. Specifications

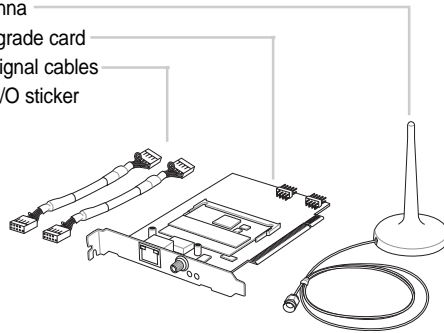
- 3COM Gigabit LAN controller
- VIA VT6307 1394 controller
- IEEE 802.11b-compliant wireless LAN controller
- Real-time data transmission
- Two (2) internal 8-pin IEEE 1394 connectors
- Seamless I/O interconnect
- Hot-pluggable connectors



3. Package contents

Check your T2 3-in-1 package for the following items:

- Dipolar antenna
- T2 3-in-1 upgrade card
- IEEE 1394 signal cables
- Front panel I/O sticker
- User guide

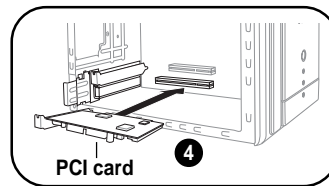


NOTE:

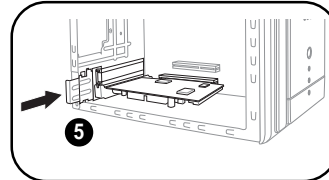
If any of the following items are damaged or missing, contact your retailer.

4. Installing the T2 3-in-1 Upgrade Card

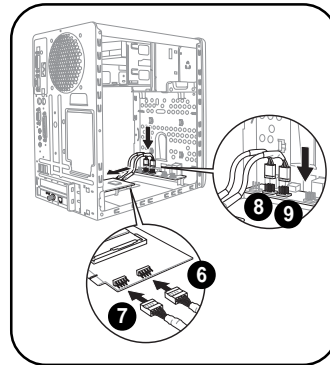
1. Turn off the system and remove the system cover.
2. Remove possible static discharge by touching a bare metal chassis railing.
3. Identify the available PCI slot and remove the bracket opposite the slot that you will use.
4. Align the card connector with the slot and press firmly until the card is completely seated on the slot.



5. Replace the expansion card lock to secure the card to the chassis.



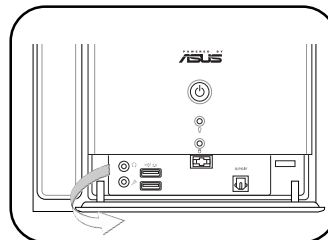
6. Connect one end of the first IEEE 1394 signal cable to the IEEE 1394 connector labeled **IE1394_1** on the 3-in-1 card.
7. Connect one end of the second IEEE 1394 signal cable to the IEEE 1394 connector labeled **IE1394_2** on the 3-in-1 card.
8. Connect the other end of the first IEEE 1394 signal cable to the IEEE 1394 connector labeled **IE1394_1** on the front panel I/O daughterboard of the Terminator 2 system.
9. Connect the other end of the second IEEE 1394 signal cable to the IEEE 1394 connector labeled **IE1394_2** on the front panel I/O daughterboard of the Terminator 2 system.
10. Replace the system cover.



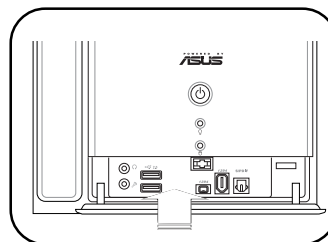
NOTE:

For details on PCI card installation, refer to “Chapter 2: Basic Installation” of the Terminator 2 User Guide.

11. Remove the installed front panel I/O sticker.

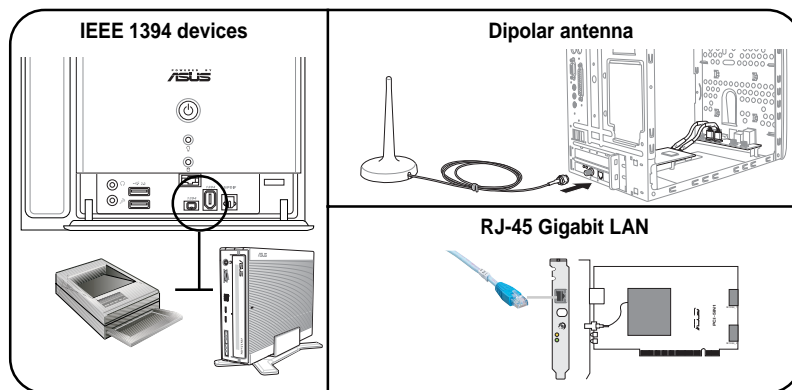


12. Place the bundled front panel I/O sticker.



5. Installation of devices

The T2 3-in-1 Upgrade card supports one external RJ-45 port for Gigabit LAN, an IEEE 802.11b-compliant wireless LAN, and two internal IEEE 1394 10-1 pin connectors for connection of additional 4-pin and 6-pin 1394 ports in the system front panel.



6. Driver Setup

The T2 3-in-1 Upgrade card is a Plug-n-Play device which can be auto-detected by Windows® 98/2000/ME/XP. After the card is inserted into a PCI slot, turn on your computer. A **Found New Hardware Wizard** window appears on the screen during startup. Follow the screen instructions to setup the card driver. If your computer failed to detect the card, click **Start > Control Panel > Add New Hardware**. Follow the instructions to setup the card driver manually.

NOTE:

For details on device driver installation, refer to "Chapter 3: Starting Up" of the Terminator 2 User Guide.

7. Troubleshooting

Q: What should I do if:

- Windows can not detect the card during startup, or
- After the driver is loaded, an exclamation mark appears before **PCI FireWire (IEEE 1394)** in the Device Manager?

A: Make sure that the card is firmly seated on the PCI slot.

ASUS Contact Information

ASUSTeK COMPUTER INC. (Asia-Pacific)

Marketing

Address 150 Li-Te Road
Peitou, Taipei, Taiwan 112
Telephone +886-2-2894-3447
Web Site www.asus.com.tw

Technical Support

Telephone (MB/Components) +886-2-2890-7121 (English)
(Notebook) +886-2-2890-7122 (English)
(Desktop/Server) +886-2-2890-7123 (English)
(Networking) +886-2-2890-7902 (English)
Support Fax +886-2-2890-7698

ASUS COMPUTER INTERNATIONAL (America)

Marketing

Address 44370 Nobel Drive, Fremont,
CA 94538, USA
Fax +1-510-608-4555
Email tmd1@asus.com
Website usa.asus.com

Technical Support

Telephone (General) +1-502-995-0883
(Notebook) +1-510-739-3777
Support fax +1-502-933-8713
Support e-mail tsd@asus.com

ASUS COMPUTER GmbH (Germany and Austria)

Marketing

Address Harkort Str. 25, D-40880
Ratingen, Germany
Telephone +49-2102-95990
Fax +49-2102-959911
Online contact www.asuscom.de/sales

Technical Support

Telephone +49-2102-95990
Fax +49-2102-959911
Online support www.asuscom.de/support
Website www.asuscom.de/news

ASUS COMPUTER (Middle East and North Africa)

Marketing

Address P.O. Box 64133, Dubai, U.A.E.
Fax +9714-283-1775

Telephone
Web site

+9714-283-1774
www.ASUSarabia.com

15-067047000



ASUS[®] T2 三合一升級套件

使用手冊

第一版 V1
2004 年 3 月出版

給使用者的說明

本產品的所有部分，包括配件與軟體等，其所有權都歸華碩電腦公司（以下簡稱華碩）所有，未經華碩公司許可，不得任意地仿製、拷貝、謄抄或轉譯。本使用手冊沒有任何型式的擔保、立場表達或其它暗示。若有任何因本使用手冊或其所提到之產品的所有資訊，所引起直接或間接的資料流失、利益損失或事業終止，華碩及其所屬員工恕不為其擔負任何責任。除此之外，本使用手冊所提到的產品規格及資訊僅供參考，內容亦會隨時更新，恕不另行通知。本使用手冊的所有部分，包括硬體及軟體，若有任何錯誤，華碩沒有義務為其擔負任何責任。

使用手冊中所談論到的產品名稱僅做識別之用，而這些名稱可能是屬於其他公司的註冊商標或是版權。

產品規格或驅動程式改變，使用手冊都會隨之更新。更新的詳細說明請您到華碩的全球資訊網瀏覽或是直接與華碩公司聯絡。

版權所有・不得翻印 ©2004 華碩電腦

產品名稱：華碩 T2 三合一升級套件
手冊版本：1.00
發表日期：2004 年 3 月

提示符號

為了讓您更快速的瞭解本產品的使用方式，在本手冊中會出現以下的圖示及說明文字，請您特別注意這些重點事項，而這些圖示所代表的意義如下：



警告： 禁止不當行為及操作，提醒您在進行某一項操作時 要注意您個人身體的安全。



小心： 提醒您在進行某一項操作時要特別小心，否則可能會因此使產品發生損壞。



重要： 重點提示，您必須遵照手冊所描述的方式來操作。



說明： 小祕訣，名詞解釋，或是進一步的資訊說明。

目錄

提示符號	3
1. 歡迎購買華碩產品	5
2. 產品規格	5
3. 包裝內容	6
4. 安裝 T2 三合一升級套件	7
5. 安裝其他裝置	10
6. 安裝驅動程式	11
7. 疑難解決	11
華碩的聯絡資訊	12

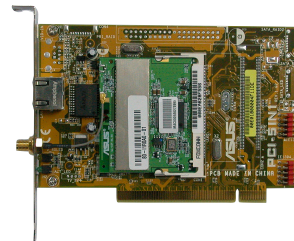
1. 歡迎購買華碩產品

感謝您購買華碩 T2 三合一升級套件。此一升級套件將可提供您的電腦更佳的資料儲存、高速網路及無線網路傳輸等功能。

此一三合一介面卡整合了許多超強功能，包括 Gigabit LAN 控制器、IEEE 802.11b 無線網路控制器及 IEEE 1394 控制器。華碩 T2 三合一升級套件可提供 Gigabit LAN、wireless LAN，還可讓您方便的連接高速資料傳輸週邊裝置如 DV 攝影機、數位相機、外接式硬碟、DVD、燒錄機、掃描器及印表機等。

2. 產品規格

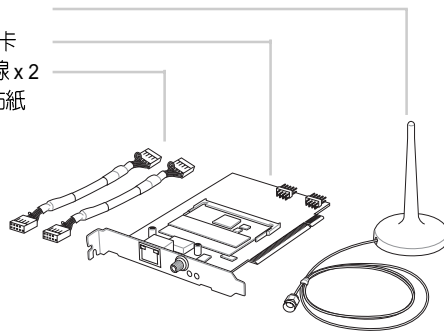
- 3COM Gigabit LAN 控制器
- VIA VT6307 1394 控制器
- IEEE 802.11b 無線網路控制器
- 支援即時資料傳輸功能
- 二組內建 8-pin IEEE 1394 接頭
- 無接縫式 I/O 接頭
- 可熱插拔式接頭



3. 包裝內容

請仔細檢查以下 T2 升級套件包裝內容：

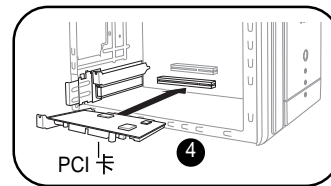
- 無線網路天線
- T2 三合一介面卡
- IEEE 1394 排線 x 2
- 前端面板 I/O 貼紙
- 本使用手冊



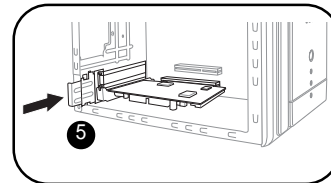
包裝內容組件若有任何損壞或缺少，請儘速與您購買的經銷商聯絡。

4. 安裝 T2 三合一升級套件

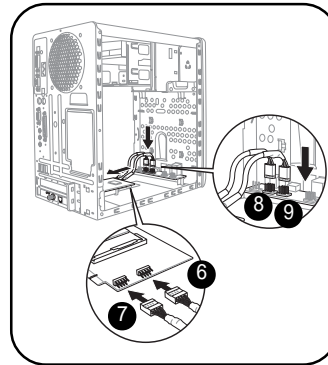
1. 關閉電腦電源並移除電腦外殼。
2. 移除電源供應器及硬碟模組，以方便您安裝此一 PCI 卡。
3. 將金屬擋板的固定門鎖往外扳開，並移除對應於 PCI 插槽的金屬擋板。
4. 將 PCI 卡的金手指部份對準 PCI 插槽，且將金屬擋板部份置於機殼後端的相應位置，然後將 PCI 卡緊密地插在插槽中。



5. 將剛才鬆開的固定門鎖推回，以鎖住 PCI 卡。

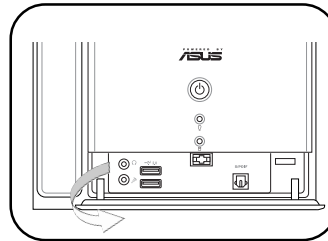


6. 將第一條 IEEE 1394 排線的一端連接到三合一 PCI 介面卡的 **IE1394_1** 接頭。
7. 將第二條 IEEE 1394 排線的一端連接到三合一 PCI 介面卡的 **IE1394_2** 接頭。
8. 將第一條 IEEE 1394 排線的另一端連接到 T2 系統前端面板下方 I/O 子卡的 **IE1394_1** 接頭。
9. 將第二條 IEEE 1394 排線的另一端連接到 T2 系統前端面板下方 I/O 子卡的 **IE1394_2** 接頭。
10. 安裝完成，請裝回硬碟模組及電源供應器，並裝回機殼。

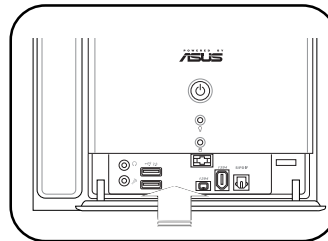


有關 PCI 介面卡的詳細安裝說明，請參考華碩 T2 準系統使用手冊章節 2.7 的說明。

11. 撕下原本系統前端面板下方的 I/O 貼紙。

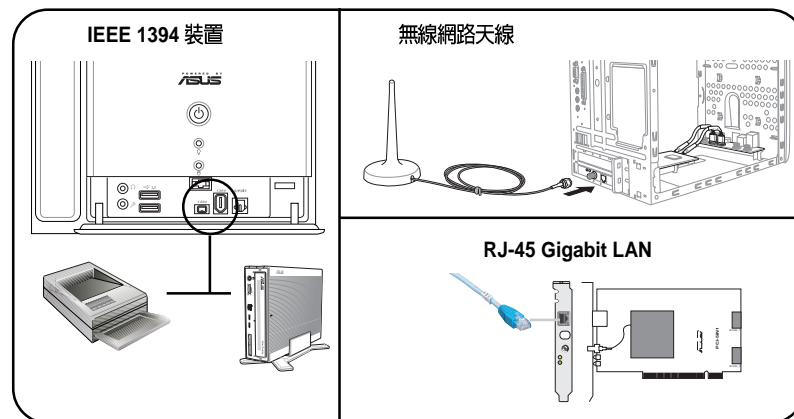


12. 取出此一升級套件包裝中的 I/O 貼紙，並將其牢固地黏貼在前端面板下方的 I/O 面板上。



5. 安裝其他裝置

華碩 T2 三合一介面卡提供一個 Gigabit LAN RJ-45 網路埠、IEEE 802.11b 無線網路，以及前端面板的二組 IEEE 1394 連接埠。



6. 安裝驅動程式

華碩 T2 三合一介面卡為一即插即用裝置，在 Windows 98/2000/XP 作業系統下可以自動被偵測到。當您安裝好此一 PCI 卡並重新開機之後，會出現 **新增硬體精靈** 視窗，此時請將華碩 T2 準系統附贈之 support CD 置入光碟機中，並依照畫面指示安裝所需的驅動程式。若您的電腦無法自動偵測到此卡，請點選 **開始 / 控制台 / 新增硬體**，並依照指示完成驅動程式安裝及設定。



有關驅動程式安裝的詳細資訊，請參考華碩 T2 準系統使用手冊章節 5.2 的說明。

7. 疑難解決

- Q. 當我遇到以下問題，該如何解決：
- 安裝好 PCI 卡並重新開機後，Window 無法偵測到 PCI 介面卡。或
 - 安裝好 PCI 卡及驅動程式後，在裝置管理員中的 PCI FireWire(IEEE1394) 項目之前出現驚嘆號的符號。
- A. 再次確認 PCI 卡是否已正確無誤地安裝在 PCI 插槽上。

華碩的聯絡資訊

華碩電腦公司 ASUSTeK COMPUTER INC. (亞太地區)

市場訊息

地址 : 台灣臺北市北投區立德路 150 號
電話 : 886-2-2894-3447

技術支援

免費服務電話 : 0800-093-456
傳真 : 886-2-2890-7698
全球資訊網 : www.asus.com.tw

ASUS COMPUTER INTERNATIONAL (美國)

市場訊息

地址 : 44370 Nobel Drive, Fremont, CA 94538, USA
傳真 : +1-510-608-4555
電子郵件 : tmdl@asus.com

技術支援

傳真 : +1-502-933-8713
電話 : +1-502-995-0883
電子郵件 : tsd@asus.com
全球資訊網 : www.asus.com

ASUS COMPUTER GmbH (德國 / 奧地利)

市場訊息

地址 : Harkort Str. 25, D-40880 Ratingen, Germany
電話 : 49-2102-95990
傳真 : 49-2102-959911
全球資訊網 : www.asuscom.de
線上聯絡 : www.asuscom.de/sales

技術支援

電話 : 49-2102-95990
傳真 : 49-2102-959911
線上支援 : www.asuscom.de/support

15-067047000

Free Manuals Download Website

<http://myh66.com>

<http://usermanuals.us>

<http://www.somanuals.com>

<http://www.4manuals.cc>

<http://www.manual-lib.com>

<http://www.404manual.com>

<http://www.luxmanual.com>

<http://aubethermostatmanual.com>

Golf course search by state

<http://golfingnear.com>

Email search by domain

<http://emailbydomain.com>

Auto manuals search

<http://auto.somanuals.com>

TV manuals search

<http://tv.somanuals.com>