

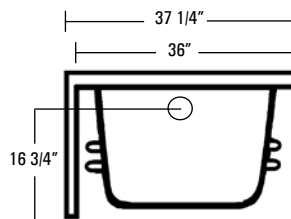
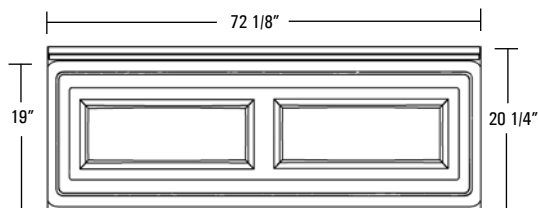
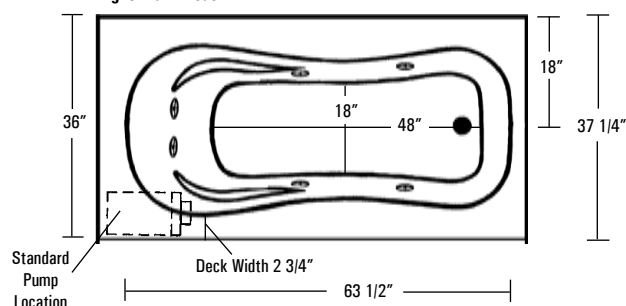
SYMPHONY 13

AQUATIC

SYMPHONY SERIES MODEL # -- SEE BELOW

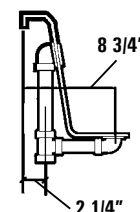
AIIS7236LSY / AIIS7236LSYTO (LEFT DRAIN) / AIIS7236RSY / AIIS7236RSYTO (RIGHT DRAIN)

Right Drain Model



Note: Tub only model does not include access panels unless ordered as an option.

Rough-In Plumbing Measurements



SPECIFICATIONS:

GENERAL SPECIFICATIONS:

Tub Size	72 1/8" x 36" x 20 1/4"
	183 cm x 91 cm x 51 cm
Bathing Well	48" long
	18" wide
	17" interior depth
Maximum Water Depth	13 3/4"
Shipping Weight	125 lbs. / 57 kg
Tub Weight Filled	652 lbs. / 296 kg
Tub Only Weight	86 lbs. / 39 kg
Gallons to Overflow	68 gal. / 257 L
Gallons to Operate	51 gal. / 193 L

ELECTRICAL SPECIFICATIONS:

Pump	.80 HP; 5.5 AMP; 110V
Requirement	15 AMP; 110V, separate circuit required protected w/ Class A GFCI

STANDARD EQUIPMENT:

- 6 Hydrotherapy Jets including:**
- 2 Spinning Back Jets
 - 4 Directional Jets
- Aquatic Quality Features:**
- .80 HP Run-Dry Pump
 - Bath-Side On/Off Air Switch
 - "Quiet Pad" Anti-Vibration Pump Mount for Quiet Pump Operation
 - Heat-bent Rigid PVC Piping for Optimum Sanitary Conditions
 - 2 Arm Rests
 - Integrally Molded Tile Flange
 - Color Matched Integral Skirt with Removable Access Panels
 - Color Matched Trim and Jets (Select Colors)
 - Right or Left Hand Drain
 - Durable, Easy to Clean, Lucite® Cast Acrylic Surface
 - Available in 8 Standard No-Charge Colors
- UL and IAPMO Listed, Factory Tested Limited 10 Year Warranty**

OPTIONAL EQUIPMENT:

- Comfort Pillow--Oval or Rectangle
- Lift & Turn Waste and Overflow
 - Chrome, Polished Brass, Gold, Satin Nickel, Polished Nickel or Oil Rubbed Bronze
- Cable Drive Waste and Overflow
 - Chrome, Polished Brass, Gold, Satin Nickel, Polished Nickel, Oil Rubbed Bronze or Color Matched (Bone, White and Biscuit Only)
- Removable Access Panels (Tub Only)

All acrylic colors featured by Aquatic match the industry's leading fixture manufacturers.

Fax-On-Demand Document # 1281



Free Manuals Download Website

<http://myh66.com>

<http://usermanuals.us>

<http://www.somanuals.com>

<http://www.4manuals.cc>

<http://www.manual-lib.com>

<http://www.404manual.com>

<http://www.luxmanual.com>

<http://aubethermostatmanual.com>

Golf course search by state

<http://golfingnear.com>

Email search by domain

<http://emailbydomain.com>

Auto manuals search

<http://auto.somanuals.com>

TV manuals search

<http://tv.somanuals.com>