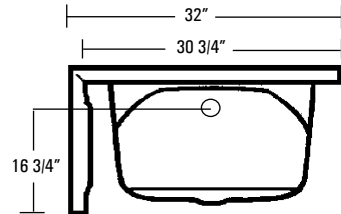
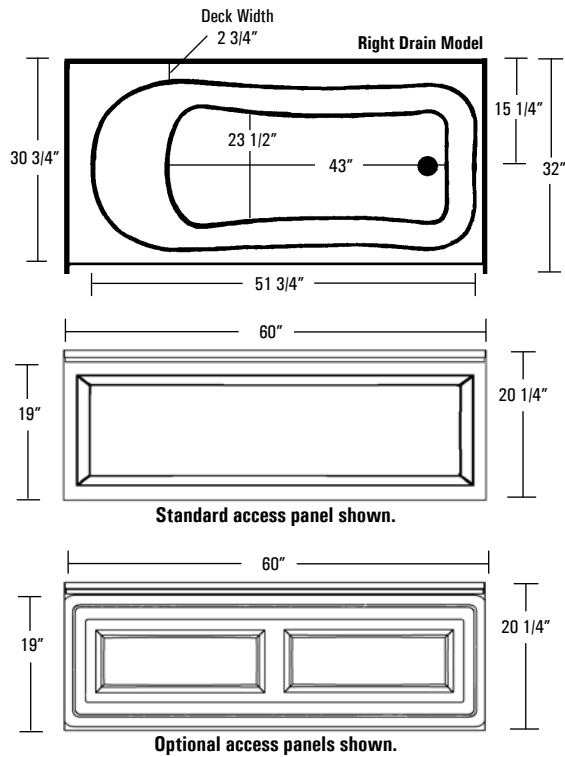


SYMPHONY 9

AQUATIC

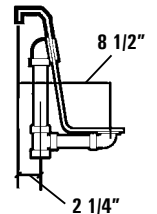
SYMPHONY SERIES MODEL #See Below

MODEL # AII6030LSYTO (Left Drain) / AII6030RSYTO (Right Drain)



Note: This model does not include access panels unless ordered as an option.

Rough-In Plumbing Measurements



SPECIFICATIONS:

GENERAL SPECIFICATIONS:

Tub Size	60" x 30 3/4" x 20 1/4"
	152 cm x 78 cm x 51 cm
Bathing Well	43" long
	23 1/2" wide
	17" interior depth
Shipping Weight	131 lbs. / 59 kg
Tub Weight Filled	521 lbs. / 236 kg
Tub Only Weight	80 lbs. / 36 kg
Gallons to Overflow	53 gal. / 201 L

STANDARD EQUIPMENT:

Aquatic Quality Features:

- Color Matched Integral Skirt (Does not include access panels)
- Integrally Molded Tile Flange
- Right or Left Hand Drain
- Durable, Easy to Clean, Lucite® Cast Acrylic Surface
- Available in 8 Standard No-Charge Colors

IAPMO Listed, Factory Tested
Limited 10 Year Warranty

OPTIONAL EQUIPMENT:

- Comfort Pillow--Oval or Rectangle
- Bolt-On Grab Bars
 - White, Biscuit, Chrome, Polished Brass, Gold, Polished Nickel, Satin Nickel or Oil Rubbed Bronze
- Lift & Turn Waste and Overflow
 - Chrome, Polished Brass, Gold, Satin Nickel, Polished Nickel or Oil Rubbed Bronze
- Cable Drive Waste and Overflow
 - Chrome, Polished Brass, Gold, Satin Nickel, Polished Nickel, Oil Rubbed Bronze or Color Matched (Bone, White and Biscuit Only)
- Removable Access Panels

All acrylic colors featured by Aquatic match the industry's leading fixture manufacturers.

Fax-On-Demand
Document # 1277



Free Manuals Download Website

<http://myh66.com>

<http://usermanuals.us>

<http://www.somanuals.com>

<http://www.4manuals.cc>

<http://www.manual-lib.com>

<http://www.404manual.com>

<http://www.luxmanual.com>

<http://aubethermostatmanual.com>

Golf course search by state

<http://golfingnear.com>

Email search by domain

<http://emailbydomain.com>

Auto manuals search

<http://auto.somanuals.com>

TV manuals search

<http://tv.somanuals.com>