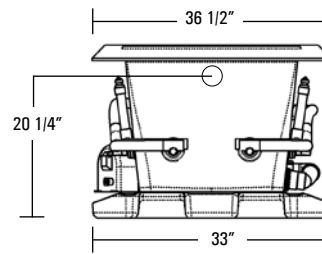
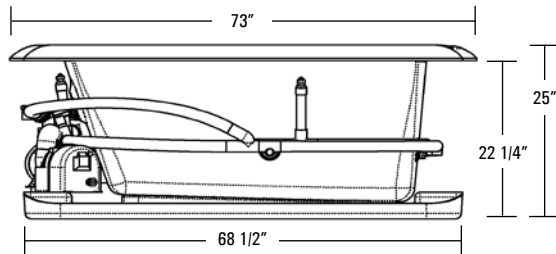
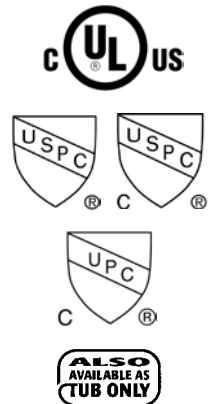
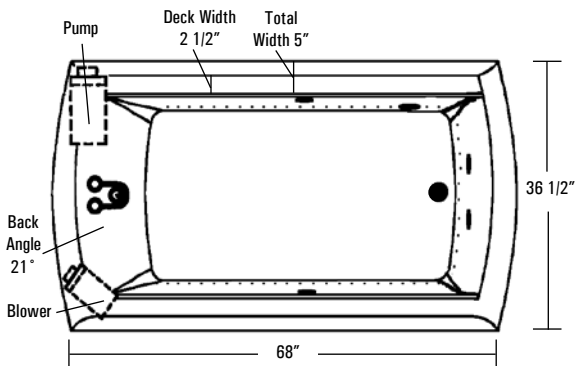


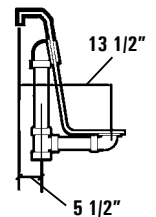
# LUXEAIR 34 MOTIF

AQUATIC

**LUXEAIR SERIES** MODEL # AI34LUX7236 / AI29AIR7236TO (Tub Only)



### Rough-In Plumbing Measurements



## SPECIFICATIONS:

### GENERAL SPECIFICATIONS:

Tub Size	73" x 36 1/2" x 25"
	185 cm x 93.3 cm x 63.5 cm
Bathing Well	46" long
	20" wide
	23" interior depth
Maximum Water Depth	17"
Shipping Weight	250 lbs. / 113 kg
Tub Weight Filled	933 lbs. / 423 kg
Tub Only Weight	106 lbs. / 48 kg
Weight w/Equipment	175 lbs. / 79 kg
Gallons to Overflow	91 gal. / 344 L
Gallons to Operate	72 gal. / 273 L

### ELECTRICAL SPECIFICATIONS:

Pump	1.75 HP; 12 AMP; 110V
Inline Heater	1.5 kW; 12.5 AMP; 110V
Requirement	1-15 AMP 2 pole, separate circuit required protected with Class A GFCI
Blower	1 HP; 10.5 AMP; 110V
Requirement	1-15 AMP 1 pole, separate circuit required protected with Class A GFCI

*This whirlpool will need to be hard wired to the breaker box. Three outlets will be supplied on the whirlpool.*

*This unit is not recommended for shower installations.*

### STANDARD EQUIPMENT:

- 7 Hydrotherapy Jets including:**
- 4 Full Size Pressure-Flo Hydrotherapy Jets
  - 2 StressEaz Neck & Shoulder Therapy Jets
  - 1 Recessed Rotary Massage Jet
- Air Bath System:**
- 55 Air Jets
  - 1 HP Variable Speed Air Blower with 20-Minute Timer
  - Electronic Control Panel
  - 3 Massage Settings: Constant, Wave and Pulse
  - Automatic Purge and Dry Cycle
  - 600 Watt Air Heating System
- Aquatic Quality Features:**
- 1.75 HP Run-Dry Pump with 20-Minute Timer
  - 1.5 kW Inline Maintenance Heater
  - "Quiet Pad" Anti-Vibration Pump Mount for Quiet Pump Operation
  - Slip Resistant Floor
  - Pre-leveled ABS Support Base
  - Heat-bent Rigid PVC Piping for Optimum Sanitary Conditions
  - Durable, Easy to Clean, Lucite® Cast Acrylic Surface
  - Available in 8 Standard No-Charge Colors
- UL & IAPMO Listed, Factory Tested**  
**Limited Lifetime Warranty**

### OPTIONAL EQUIPMENT:

- Chromatherapy LED Lighting
- Comfort Pillow - Oval or Rectangle
- Jet Finish
  - Chrome, Polished Brass, Gold, Polished Nickel or Satin Nickel
- Bolt-On Grab Bar
  - White, Biscuit, Chrome, Polished Brass, Gold, Polished Nickel, Satin Nickel or Oil Rubbed Bronze
- Lift & Turn Waste and Overflow
  - Chrome, Polished Brass, Gold, Polished Nickel, Satin Nickel or Oil Rubbed Bronze
- Cable Drive Waste and Overflow
  - Chrome, Polished Brass, Gold, Polished Nickel, Satin Nickel, Oil Rubbed Bronze or Color Matched (Bone, White and Biscuit Only)
- Hand Held Jet - Chrome or Polished Brass
- Premium Colors

*All acrylic colors featured by Aquatic match the industry's leading fixture manufacturers.*

**Fax-On-Demand  
Document # 1292**



The manufacturer accepts a 1/4" variance. There are variations on each tub and specifications are subject to change as we improve upon our product as required. The dimensions needed for site preparation and structure building should be measured from the tub; Aquatic Industries, Inc. assumes no responsibility for preparatory work. [www.aquaticwhirlpools.com](http://www.aquaticwhirlpools.com) 800.555.5324

January 2008

## Free Manuals Download Website

<http://myh66.com>

<http://usermanuals.us>

<http://www.somanuals.com>

<http://www.4manuals.cc>

<http://www.manual-lib.com>

<http://www.404manual.com>

<http://www.luxmanual.com>

<http://aubethermostatmanual.com>

Golf course search by state

<http://golfingnear.com>

Email search by domain

<http://emailbydomain.com>

Auto manuals search

<http://auto.somanuals.com>

TV manuals search

<http://tv.somanuals.com>