

Antari[®] FOG MACHINE

HZ-300 HAZER MACHINE USER MANUAL

*Congratulations on the purchase of your new
ANTARI HZ-300 Haze Machine.*

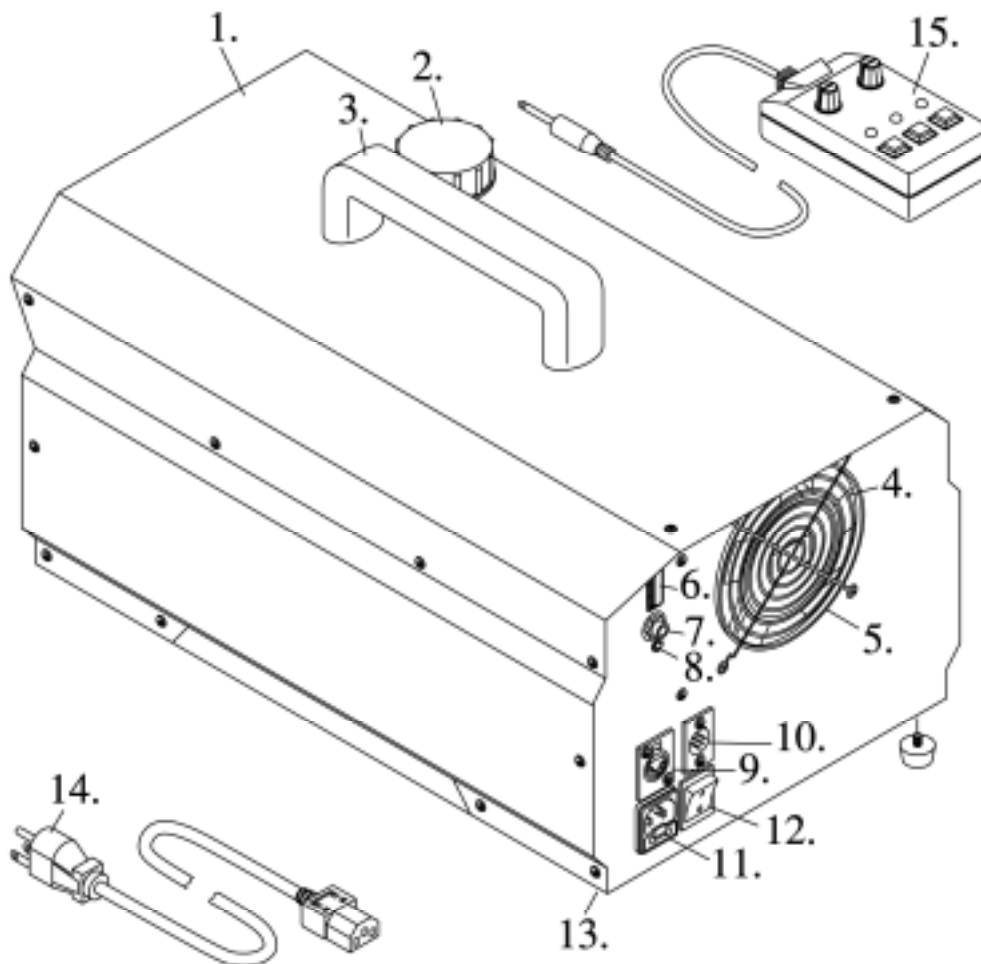
Read and save these instructions



© 2005 Antari Lighting and Effects Ltd

HZ-300 EXTERNAL VIEW

- | | |
|--------------------------|--|
| 1. Body | 9. Control Inlet Socket
(3 Pin XLR for DMX) |
| 2. Tank's Cap | 10. Control Outlet Socket
(3 Pin XLR for DMX) |
| 3. Handle | 11. Power Inlet Socket & Fuseholder |
| 4. Fan | 12. Rocker Switch / Power |
| 5. Guardrail | 13. Foot |
| 6. DMX DIP SW. | 14. Power Cord |
| 7. Control Outlet Socket | 15. Wired Remote Control(1/4 stereo)
(Optional accessory) |
| 8. Pilot Lamp | |



Antari
FOG MACHINE

Antari Lighting And Effects Ltd.

育安照明企業股份有限公司

DocNo. EC300 M0227 05 By YEM

User Manual

Antari HZ-300 Hazer

***Congratulations on the purchase of your new
ANTARI HAZER.***

Introduction

Thank you for choosing an ANTARI Hazer. You now own a rugged and powerful state-of-the-art machine. Prior to use, we suggest that you carefully read all of the instructions. By following the suggestions found in this user manual, you can look forward to the reliable and satisfactory performance of your ANTARI Hazer for years to come.

Please follow these operation and safety instructions to ensure a long and safe life for your hazer.

Cautions

- ◆ Do not overfill your ANTARI hazer. Overfilling will cause the unit to clog.

Danger of electric shock

- ◆ Keep this device dry.
- ◆ For inside use only. Not designed for outside use.
- ◆ For the 110V models, use 3-prong grounded electrical outlet only. Prior to use take care to determine that the unit is installed at the rated voltage.
- ◆ Always unplug your ANTARI Hazer before filling its tank.
- ◆ Keep hazer upright.
- ◆ Turn off or unplug when not in use.
- ◆ This machine is not water- or splash-proof. If moisture, water, or hazer liquid gets inside the housing, immediately unplug the unit and contact a service technician or your ANTARI dealer before using it again.
- ◆ No user serviceable parts inside. Refer to your ANTARI dealer or other qualified service personnel.
- ◆ For adult use only. Hazer must be installed out of the reach of children. Never leave the unit running unattended.
- ◆ Never aim the output at open flames.

Danger of explosion

- ◆ Never add flammable liquids of any kind (oil, gas, perfume) to the hazer liquid.

Pay attention to all warning labels and instructions printed on the exterior of your ANTARI Hazer

- ◆ Use only the high-quality hazer liquid that your dealer recommends.
- ◆ Always make sure there is sufficient liquid in the hazer liquid tank. Operating this unit without liquid may cause permanent damage to the machine.
- ◆ If your ANTARI Hazer fails to work properly, discontinue use immediately. Drain all hazer liquid from the tank, pack the unit securely (preferably in the original packing material), and return it to your ANTARI dealer for service.
- ◆ Never drink hazer liquid. If it is ingested, call a doctor immediately. If hazer liquid comes in contact with skin or eyes, rinse thoroughly with water.

Unpacking & Inspection

Open the shipping carton and verify that all equipment necessary to operate the system has arrived intact. If any equipment is missing contact your ANTARI dealer immediately.

Before beginning initial setup of your ANTARI Hazer, make sure that there is no evident damage caused by transportation. In the event that the unit's housing or cable is damaged, do not plug it in and do not attempt to use it until after contacting your ANTARI dealer for assistance.

Setup

- ◆ Remove all packing materials from shipping box. Check that all foam and plastic padding is removed.
- ◆ Place hazer on a flat surface and remove hazer liquid tank cap.
- ◆ Note the maximum fluid level mark located on the front of the hazer.
- ◆ Pour hazer liquid into the liquid tank, being careful not to exceed the maximum fluid level. **DO NOT OVERFILL.** Use only ANTARI Hazer Liquid or other dealer-recommended high-quality hazer fluid . Any other types of fluid can damage the unit. When liquid level reaches the fill line, place cap back on liquid tank.
- ◆ Your hazer may be operated with or without a remote controller. If you will be controlling your unit remotely, firmly attach the remote control cable to the proper input.

Operation

- ◆ Plug power cord into a grounded electrical outlet.
- ◆ To operate without remote control, simply turn hazer on. Haze emission will begin automatically.
- ◆ To operate via remote control, press the appropriate button on the remote to begin haze emission.
- ◆ For further information on operating your ANTARI Hazer, see the section titled, "Remote Control Operation".

If your model includes a mounting bracket designed for overhead installation, it may be installed at floor level or suspended overhead. If the unit is to be mounted using the bracket, avoid suspending the unit such that haze is emitted directly toward any one's face. Whatever installation method you choose, do not allow the unit to have more than a 15 degree angle of inclination.

Important: Always monitor tank fluid level during operation. Running a hazer with no fluid can permanently damage the unit.

If you experience low output, mechanical noise or no output at all, unplug immediately. Check fluid level, the external fuse, remote connection, and power from the wall. If all of the above appears to be O.K., plug the unit in again. If hazer does not function after 30 seconds, discontinue operation or permanent damage to the unit may result. Return the machine to your ANTARI dealer. Always drain tank before mailing or transporting this unit.

Remote Control Operation

- ◆ HC-1: 10 meter wired multi-function remote controller with ¼" stereo plug for the ANTARI Hazer HZ-300. Its two knobs allow the operator to program hazer

functions by adjusting haze emission duration and interval. Press the yellow TIMERS button to activate the timer function. Adjust the interval between each haze emission (within the range of 10 seconds to 5 minutes) by means of the INTERVAL control knob. Adjust the duration of each haze emission (within the range of 1 to 10 seconds) by means of the DURATION control knob. When pressed, the green MANUAL button activates the hazer, overriding all other function controls. Press the red CONTINUOUS button for continuous output.

- ◆ HCR-1: Wireless remote controller with ¼" stereo plug for the ANTARI Hazer HZ-300. Attach the receiver's magnetic base to the hazer. Plug the receiver's cable into the hazer's remote control input. Using the sending unit, your ANTARI Hazer can be operated from a distance of up to 50 meters. Start haze emission by pressing the small button on the sending unit. Stop haze emission by pressing the large button. Multiple ANTARI Hazers may be controlled using only one sending unit.

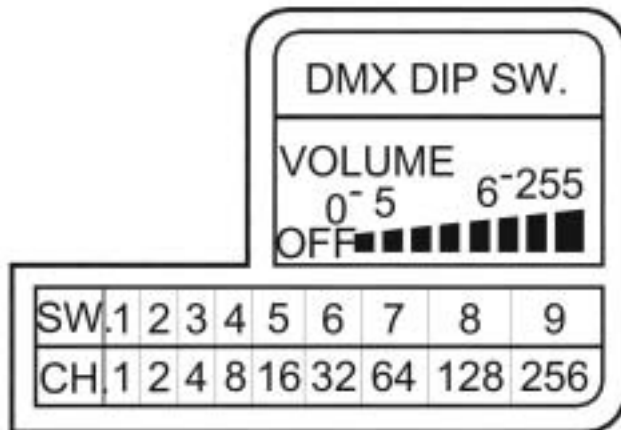
DMX Operation

The HZ-300 has onboard DMX control. Currently, it uses 1 channel to control output operation. Each channel has a value range of 0 to 255.

The DMX channel is set on the back panel of the HZ-300 by setting the dip switches to the desired channel.

If Channel A has a value from 0 to 5, the unit is OFF; between the values 6 to 249, the unit is regulated.

Note: In the example below, if the machine were assigned the DMX address of 124, Channel A would correspond to DMX address 124.



Hazer Liquid

Do not allow the hazer liquid to become contaminated. Always replace the caps on the hazer liquid container and the hazer's liquid tank immediately after filling.

ANTARI Hazer Liquid comes in two varieties:

- ◆ ANTARI HZL-1 is a high-performance low-residue oil-based hazer liquid that has been designed specifically for HZ-100, HZ-300 and HZ-400.
- ◆ ANTARI HZL-1W is a non-residual water-based hazer liquid suitable for the HZ-100, HZ-300 and HZ-400.

Important: Never mix oil-based and water-based hazer liquids. Before switching the kind of hazer liquid in use, completely drain the hazer's tank to avoid mixing.

Use only ANTARI Hazer Liquid or other dealer-recommended high-quality hazer fluid . Any other types of fluid can damage the unit.

Save these instructions

C08HZ300

Free Manuals Download Website

<http://myh66.com>

<http://usermanuals.us>

<http://www.somanuals.com>

<http://www.4manuals.cc>

<http://www.manual-lib.com>

<http://www.404manual.com>

<http://www.luxmanual.com>

<http://aubethermostatmanual.com>

Golf course search by state

<http://golfingnear.com>

Email search by domain

<http://emailbydomain.com>

Auto manuals search

<http://auto.somanuals.com>

TV manuals search

<http://tv.somanuals.com>