

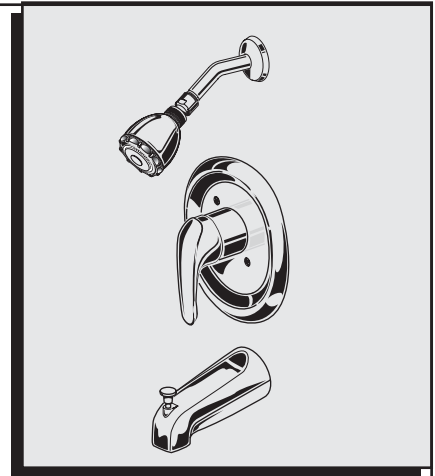
Seva™

PRESSURE BALANCED BATH AND SHOWER FITTINGS

Thank you for selecting American-Standard...
the benchmark of fine quality for over 100 years.

To ensure that your installation proceeds smoothly—
please read these instructions carefully before you begin.

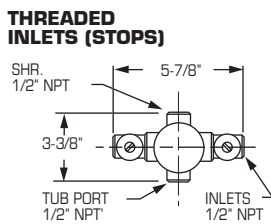
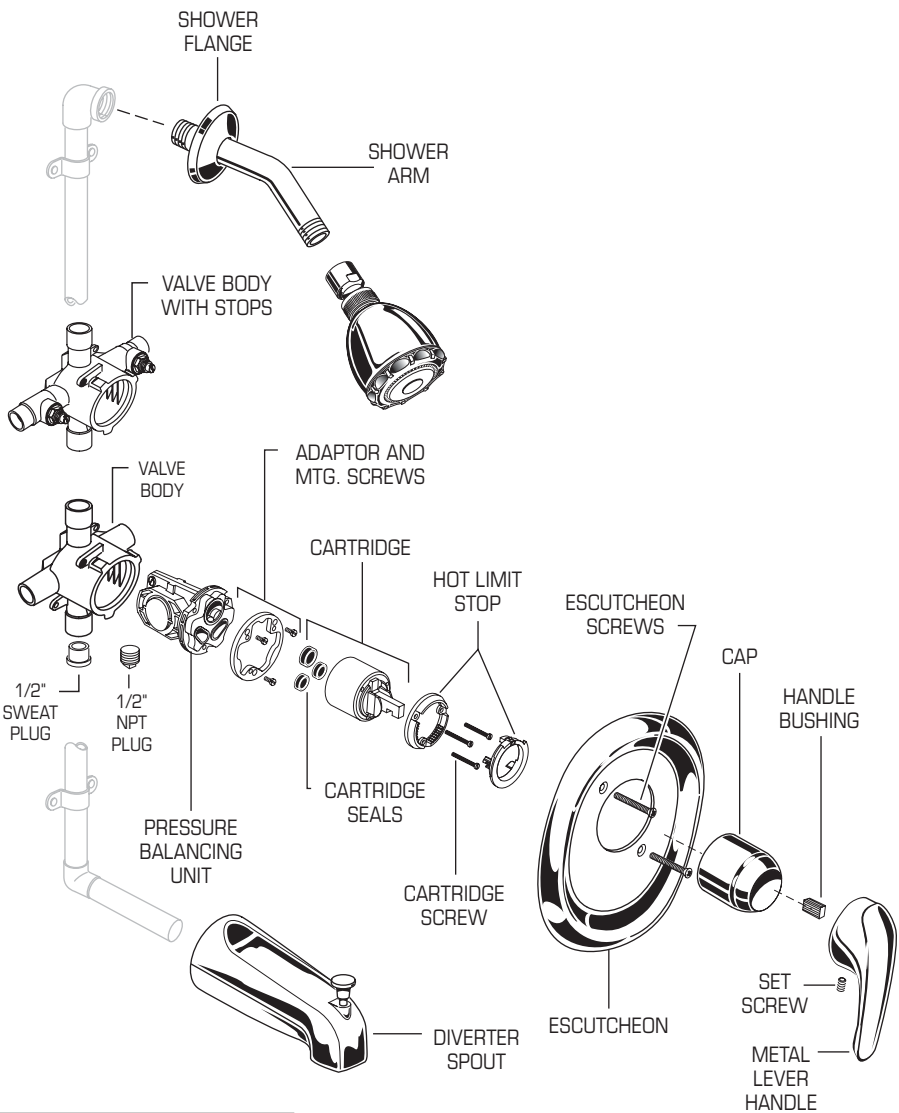
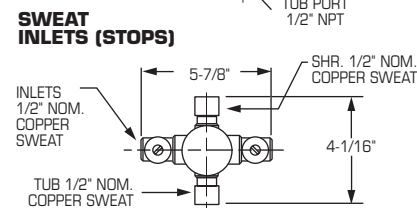
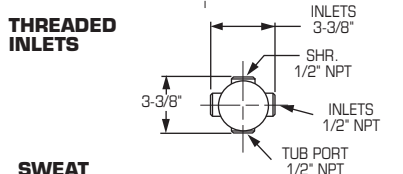
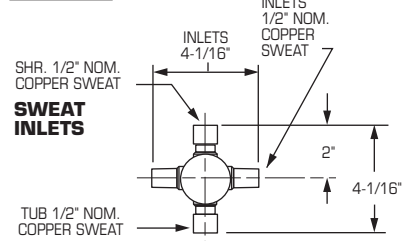
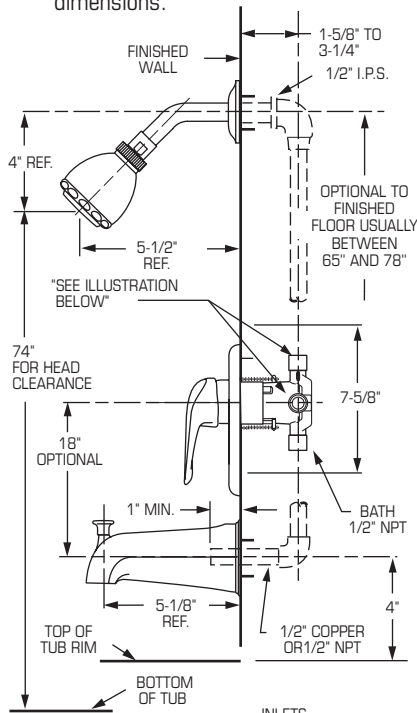
**Installation
Instructions
1480.500
1480SS.500
T480.500**



Certified to comply with ANSI A112.18.1
U.S. Patent No. D400,652
M968395 Rev. 1.1

ROUGHING-IN DIMENSIONS

■ To assure proper positioning in relation to wall, note roughing-in dimensions.



HOT LINE FOR HELP

For toll-free information and answers to your questions, call:
1-800-442-1902
Weekdays 8:00 a.m. to 6:00 p.m. EST
IN CANADA 1-800-387-0369 (TORONTO 1-905-306-1093)
Weekdays 8:00 a.m. to 7:00 p.m. EST
IN MEXICO 01-800-639-1200

Product names listed herein are trademarks of American Standard Inc.
© AS America, Inc. 2008

1

CAUTION

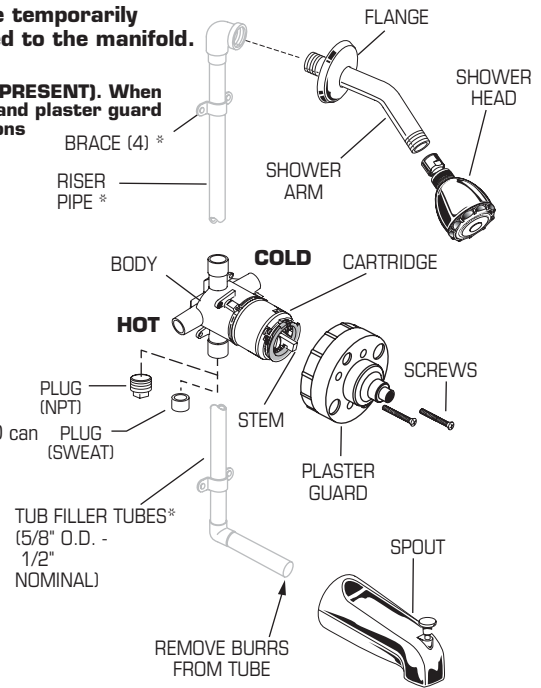
Turn off water at MAIN supply. To prevent damage temporarily remove STOPS when water supply lines are soldered to the manifold.

NOTE

When soldering, remove PLASTER GUARD, CARTRIDGES and CHECK STOPS (IF PRESENT). When finished soldering, flush valve body, replace cartridges, check stops (if present) and plaster guard to continue installation. Use thread sealant or Teflon tape on threaded connections

ROUGHING-IN

- See Roughing-in diagram on reverse side.
 - Connect RISER PIPE to MANIFOLD top outlet marked "SHR".
 - Connect TUB FILLER PIPE at bottom outlet marked "TUB".
 - Supply connections are:
 - 1/2" copper sweat for sweat inlets.
 - 1/2" female NPT for threaded inlets.
 - For proper positioning the finished wall must be within side wall of PLASTER GUARD.
 - If the valve is installed on a fiberglass or other thin wall application, the PLASTER GUARD can be used as a support:
 - Cut a 3" dia. hole in the shower stall.
 - If stops are used drill two additional 1" holes to allow access to the stops.
 - Remove PLASTER GUARD, rotate 180° so that indicated screw holes fit manifold.
 - Push CAP on valve, place ESCUTCHEON and attach with screws.
 - Connect hot and cold water supplies.
 - For support, use pipe BRACES secured to wooden braces.
- With valve turned off, turn on water supplies and check for leaks.

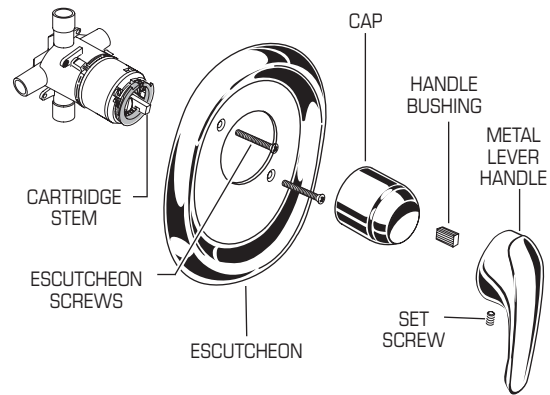


* NOT INCLUDED IN KIT

2

INSTALL TRIM

- When finished, tiling the wall, remove PLASTER GUARD.
- Push on CAP.
- Mount ESCUTCHEON with SCREWS.
- Install HANDLE by pushing it onto CARTRIDGE STEM and tightening SET SCREW from below.
- Install SHOWER ARM with FLANGE and SHOWER HEAD. Install SPOUT.
- Check proper operation of HANDLE and DIVERTER SPOUT.



3

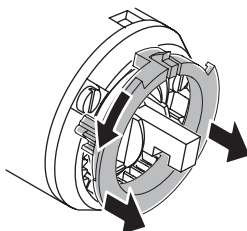
HOT LIMIT STOP

By restricting handle rotation and limiting the amount of hot water allowed to mix with the cold, the HOT LIMIT SAFETY STOP reduces risk of accidental scalding. To set the maximum hot water temperature of your SEVA faucets, all you need to do adjust the setting on the HOT LIMIT SAFETY STOP.

- Remove HANDLE, CAP and HOT LIMIT STOP. Follow "A" or "B" to adjust maximum discharge temperature.

"A"

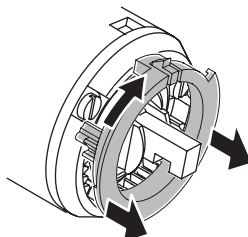
PRY FORWARD TO UNLOCK AND ROTATE COUNTER-CLOCKWISE ONE CLICK



ADJUSTMENT WHEN WATER IS TOO HOT

"B"

PRY FORWARD TO UNLOCK AND ROTATE CLOCKWISE

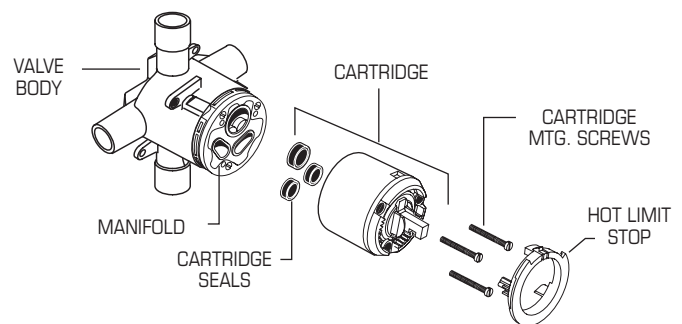


ADJUSTMENT WHEN WATER IS TOO COLD

4

SERVICE

- If faucet drips, operate handle several times from "off" to "on". Do not apply excessive force.
- Clogged CARTRIDGE inlets may cause reduced flow in "full on" hot or cold. To clean inlets, first turn off water supply, then:
 - Remove HANDLE, CAP, HOT LIMIT STOP and CARTRIDGE. Clean inlets and MANIFOLD.
 - Reassemble CARTRIDGE, alternately tightening screws. Replace HOT LIMIT STOP, CAP and HANDLE. Check flow.



Free Manuals Download Website

<http://myh66.com>

<http://usermanuals.us>

<http://www.somanuals.com>

<http://www.4manuals.cc>

<http://www.manual-lib.com>

<http://www.404manual.com>

<http://www.luxmanual.com>

<http://aubethermostatmanual.com>

Golf course search by state

<http://golfingnear.com>

Email search by domain

<http://emailbydomain.com>

Auto manuals search

<http://auto.somanuals.com>

TV manuals search

<http://tv.somanuals.com>