

AQUALYN™ COUNTERTOP SINK

- Made from vitreous china
- Self-rimming with cutout template supplied
- Front overflow
- Faucet ledge
Shown with 4801.862 Amarelis/Heritage faucet with Triune cross handles (not included)

- 0475.020** Faucet holes on 8" (203mm) centers (illustrated)
- 0475.920** Faucet holes on 8" (203mm) centers
 - Less overflow
- 0476.028** Faucet holes on 4" (102mm) centers
- 0476.037** Faucet holes on 4" (102mm) centers
 - Extra right-hand hole
- 0475.035** Faucet holes on 4" (102mm) centers
 - Extra left-hand hole
- 0476.928** Faucet holes on 4" (102mm) centers
 - Less overflow
- 0475.047** Center hole only



SEE REVERSE FOR ADDITIONAL ROUGHING-IN DIMENSIONS

Nominal Dimensions:

518 x 441mm
(20-3/8" x 17-3/8")

Bowl sizes:

406mm (16") wide
254mm (10") front to back
143mm (5-5/8") deep

Compliance Certifications - Meets or Exceeds the Following Specifications:

- ASME A112.19.2M for Vitreous China Fixtures

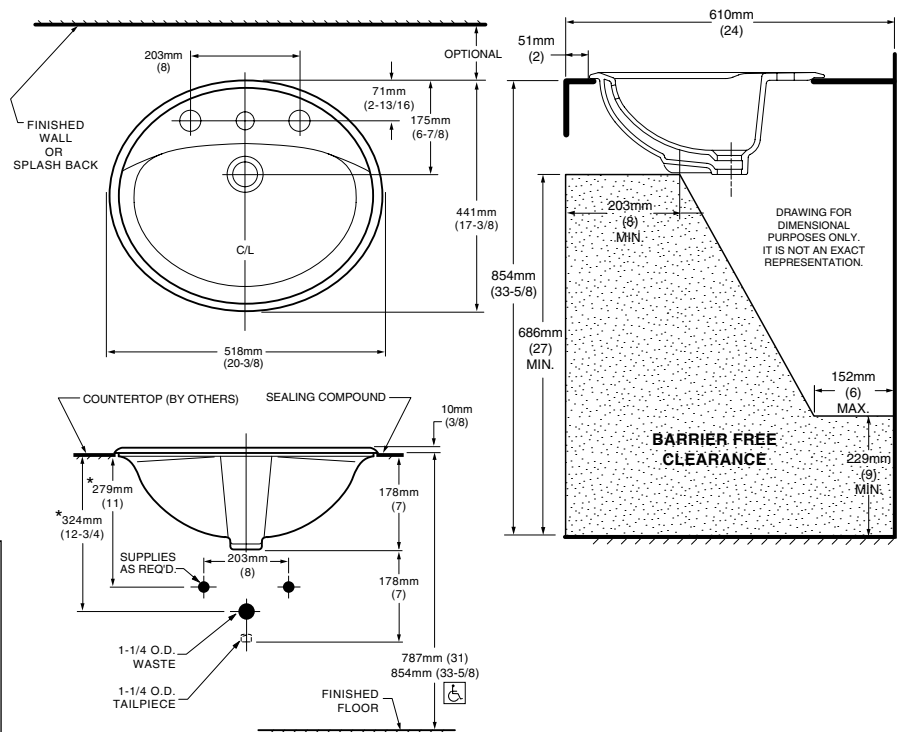
To Be Specified:

- Color: White Bone
 Linen Silver
 Fawn Beige Black
- Faucet*:
- Faucet Finish:
- Supplies:
- 1-1/4" Trap:

* See faucet section for additional models available

MEETS THE AMERICANS WITH DISABILITIES ACT GUIDELINES AND ANSI A117.1 ACCESSIBLE AND USABLE BUILDINGS AND FACILITIES - CHECK LOCAL CODES.

Install lavatory 864mm (34") from finished floor.
Lavatory installed 51mm (2") minimum from front edge of countertop provides 686mm (27") knee clearance area.

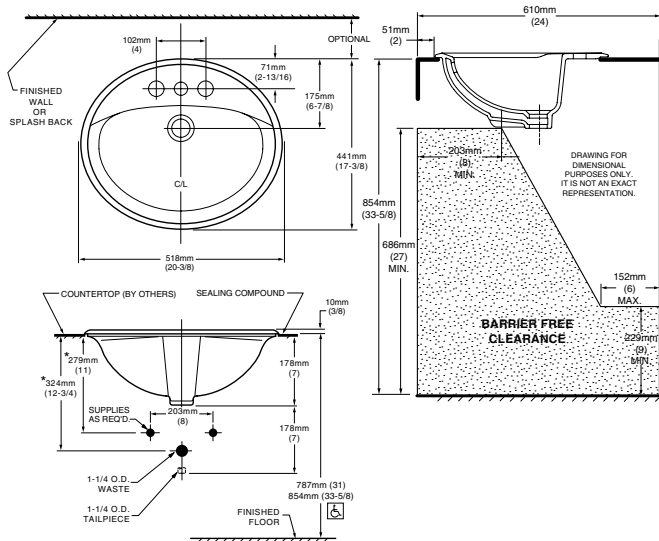


NOTES:

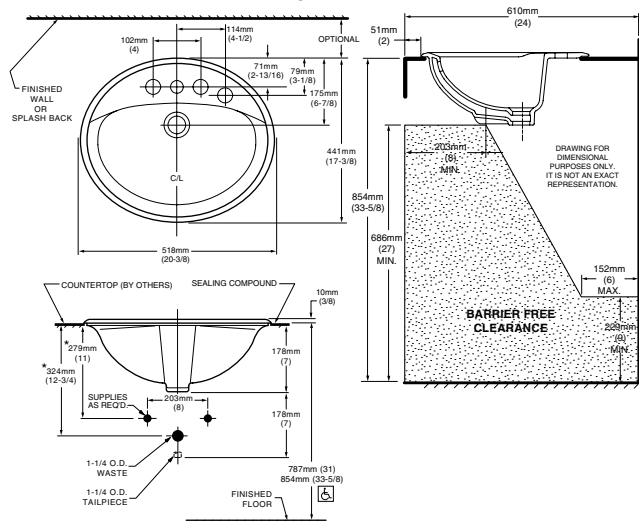
* DIMENSIONS SHOWN FOR LOCATION OF SUPPLIES AND "P" TRAP ARE SUGGESTED.
FOR COUNTERTOP CUTOUT AND INSTALLATION INSTRUCTIONS USE TEMPLATE SUPPLIED WITH SINK.
FITTINGS NOT INCLUDED WITH FIXTURE AND MUST BE ORDERED SEPARATELY.
SEALING COMPOUND SUPPLIED BY OTHERS.

IMPORTANT: Dimensions of fixtures are nominal and may vary within the range of tolerances established by ANSI Standard A112.19.2. These measurements are subject to change or cancellation. No responsibility is assumed for use of superseded or voided pages.

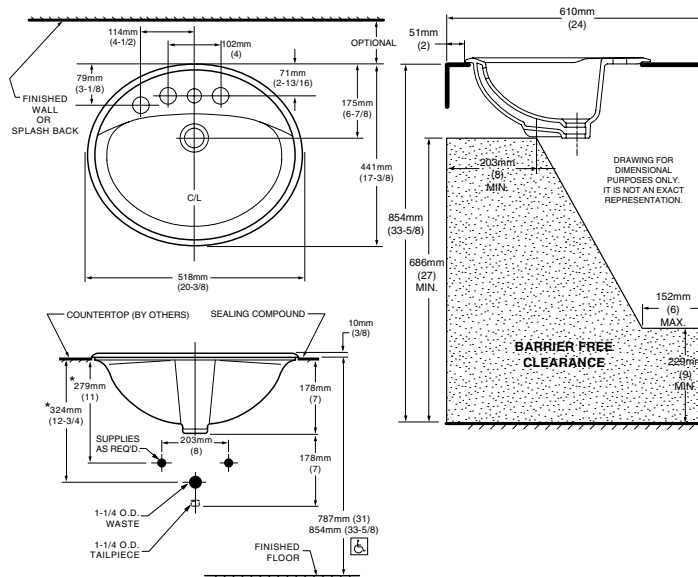
0476.028 Faucet holes on 4" (102mm) centers



0476.037 Faucet holes on 4" (102mm) centers • Extra right-hand hole



0475.035 Faucet holes on 4" (102mm) centers • Extra left-hand hole



MEETS THE AMERICANS WITH DISABILITIES ACT GUIDELINES AND ANSI A117.1 ACCESSIBLE AND USABLE BUILDINGS AND FACILITIES - CHECK LOCAL CODES.

Install lavatory 864mm (34") from finished floor.
Lavatory installed 51mm (2") minimum from front edge of countertop provides 686mm (27") knee clearance area.

NOTES:

* DIMENSIONS SHOWN FOR LOCATION OF SUPPLIES AND "P" TRAP ARE SUGGESTED.
FOR COUNTERTOP CUTOUT AND INSTALLATION INSTRUCTIONS USE TEMPLATE SUPPLIED WITH SINK.
FITTINGS NOT INCLUDED WITH FIXTURE AND MUST BE ORDERED SEPARATELY.
SEALING COMPOUND SUPPLIED BY OTHERS.

IMPORTANT: Dimensions of fixtures are nominal and may vary within the range of tolerances established by ANSI Standard A112.19.2. These measurements are subject to change or cancellation. No responsibility is assumed for use of superseded or voided pages.

Free Manuals Download Website

<http://myh66.com>

<http://usermanuals.us>

<http://www.somanuals.com>

<http://www.4manuals.cc>

<http://www.manual-lib.com>

<http://www.404manual.com>

<http://www.luxmanual.com>

<http://aubethermostatmanual.com>

Golf course search by state

<http://golfingnear.com>

Email search by domain

<http://emailbydomain.com>

Auto manuals search

<http://auto.somanuals.com>

TV manuals search

<http://tv.somanuals.com>