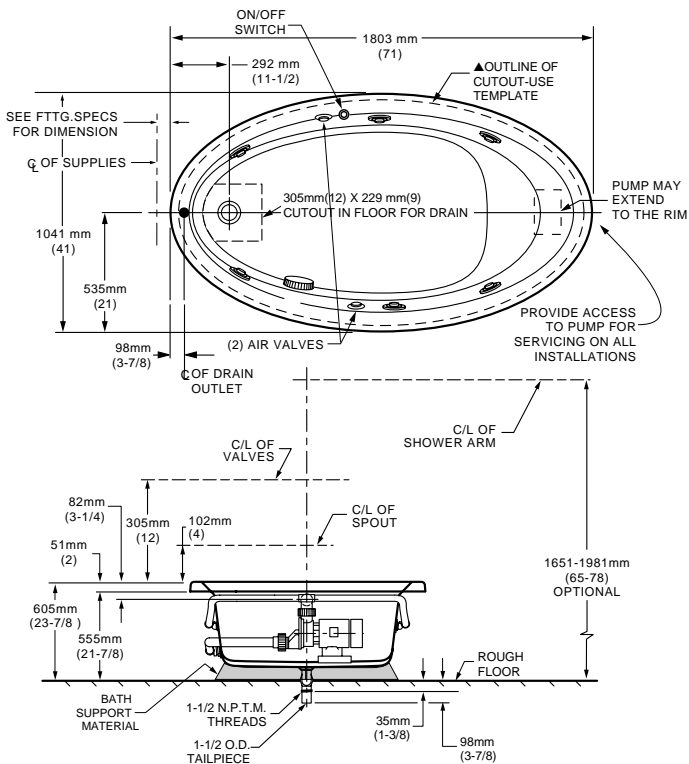


COLONY OVAL™
HIGH GLOSS ACRYLIC
SHOWN LESS ALL FITTINGS

1742 SERIES

American Standard

WHIRLPOOL/BATHING POOL INSTALLATION INSTRUCTIONS



GENERAL SPECIFICATIONS FOR 1742 WHIRLPOOL

INSTALLED SIZE	_____	71 x 41 x 23-7/8 In. (1805 x 1040 x 606mm)
WEIGHT	_____	119 Lbs. (54 Kg.)
WEIGHT w/WATER	_____	680 Lbs. (308 Kg.)
GAL. TO OVERFLOW	_____	67 Gal. (254 L)
WHIRLPOOL MIN. OPERATING VOL.	_____	50 Gal. (190 L)
BATHING WELL AT SUMP	_____	49 x 26 In. (1245 x 660mm)
BATHING WELL AT RIM	_____	62 x 34 In. (1588 x 864mm)
WATER DEPTH TO OVERFLOW	_____	16-7/8 In. (429mm)
FLOOR LOADING (PROJECTED AREA)	_____	32 Lbs./Sq.Ft. (157 Kgs./Sq.m)

WHIRLPOOL ELECTRICAL SPECIFICATIONS

PUMP	_____	1.1 HP, 9.9 AMPS, 120V.
------	-------	-------------------------

GENERAL INSTALLATION INFORMATION

Carefully uncrate and inspect your new bath for any shipping damage. If such damage is found, report it to your vendor immediately.

After inspection and during installation, protect the bath from construction damage. **AFTER INSTALLATION, AND BEFORE ENCLOSING WITH WALLBOARD, TILE, ETC., WATER TEST THE UNIT AND CHECK FOR LEAKS.**

Do not make modifications to the whirlpool system or remove pump from factory mounting. This could adversely affect the safety and performance of the whirlpool and void the warranty. Do not handle or move the whirlpool by the pump, motor, or piping system.

Fittings (bath filler, shower arm, etc.) are not provided with the bath and must be ordered separately. Framing and enclosing materials are provided by others. Check for availability of optional American Standard wall tiling bead (required for recess installations).

Protect all finished surfaces of the whirlpool during construction and installation using a drop cloth.

WARNING! Do not lift whirlpool by the piping harness at any time.

FOR AFTER-SALES SERVICE CALL 1 (800) 442-1902 WEEKDAYS.

THANK YOU...

for selecting an American Standard bath. Your new bath is shipped to you after careful inspection. The whirlpool version is completely assembled with pump, motor, and system piping. All you need to finish the installation are your selected fittings and electrical connections for a whirlpool.

To insure maximum performance and pleasure from this product, please follow the instructions and cautions.

List of Required Components (not included):

- Drain 1583.470*
- Bath Filler*

* see your American Standard Distributor

List of Required Tools and Supplies:

Tools

- Level
- Tape Measure
- Pipe Wrench
- Slip Joint Pliers
- Screw Driver
- Standard Woodworking Tools
- Personal Safety Equipment
- Caulking Gun

Supplies

- Nails
- Putty
- Caulking (waterproof)
- 1 x 3 or 2 x 2 Stringers
- Drop Cloth
- 15 amp GFCI Outlet
- Cement, Plaster, Grout

IMPORTANT: Water test unit before installation and enclosure!

FRAMING AND INSTALLATION

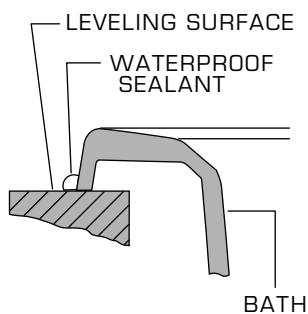
THE VARIETY OF INSTALLATIONS POSSIBLE FOR THIS BATH MAY REQUIRE FRAMING PROCEDURES OTHER THAN THOSE SHOWN.

LOCATE STUDS AS REQUIRED. INSURE ROUGH DIMENSIONS ARE PROPER, PLUMB AND SQUARE. **FOR WHIRLPOOLS, PROVISION MUST BE MADE IN ALL INSTALLATIONS FOR AN ACCESS OPENING FOR SERVICING PUMP AND CONTROLS.**

THE FOLLOWING PROCEDURE MUST BE USED FOR ALL INSTALLATIONS: STRINGER OR PIER HEIGHT SHOULD BE AS INDICATED.

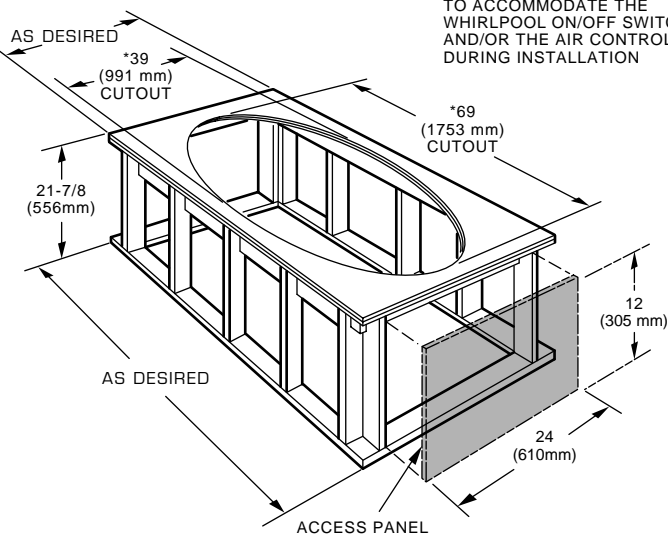
THIS BATH MUST BE SUPPORTED ALONG ITS ENTIRE BOTTOM. We recommend the use of mortar as bedding material (sand is not recommended). Apply enough bedding to support the complete bottom of the bath. After the bedding has been poured, and before it sets, position whirlpool or bath within recess until the rim is leveled against the leveling stringers (see "Typical Recess Installation") shown below. The rim of the bath **MUST NOT** support weight. Allow the bedding material to completely harden before applying weight to the rim or bottom of the bath. Any finish material such as tile or wall board must be self-supporting if it contacts the deck of the bath.

SUGGESTED INSTALLATION METHOD



TYPICAL INSTALLATION

IT MAY BE NECESSARY TO NOTCH THE DECK SURFACE TO ACCOMMODATE THE WHIRLPOOL ON/OFF SWITCH AND/OR THE AIR CONTROL DURING INSTALLATION



*** SEE CUTOUT TEMPLATE PROVIDED**

UNLESS AN ACCESS OPENING OF AT LEAST 12" X 24" (305 X 610 mm) IS PROVIDED, WARRANTY SERVICE WILL NOT BE PERFORMED.

ELECTRICAL INSTALLATION INSTRUCTIONS

All wiring must be performed by a licensed electrician in accordance with the national electrical code and all other applicable codes.

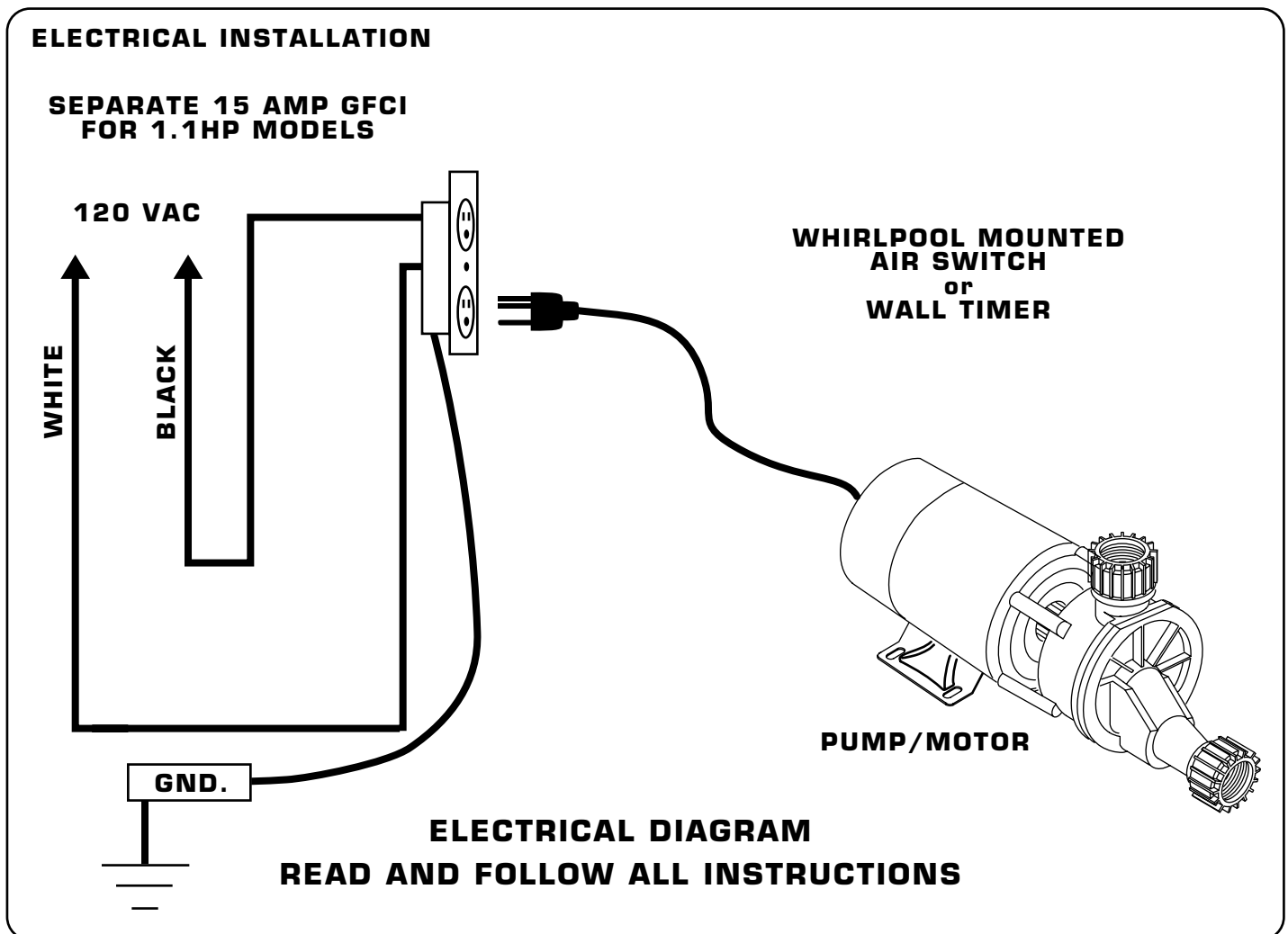
WARNING:

When using electrical products, basic precautions should always be observed, including the following:

1. **DANGER: RISK OF ELECTRIC SHOCK**

- Connect only to a circuit protected by a ground-fault circuit interrupter.
- Grounding is required. The unit should be installed by a licensed electrician and grounded.
- Install to permit access for servicing.
- All building materials and wiring should be routed away from the pump body and heater (if equipped).

The whirlpool should be installed on a 120 vac, 15 amp dedicated circuit. The circuit should be hard-wired from the electrical power supply panel. The circuit must be a three (3) wire circuit from the electrical supply panel. A grounded neutral wire and a third wire, earth ground, are essential.



WIRE SELECTION GUIDE

Motor
Hi-Performance
Rating

1.1

Maximum distance from fusebox to motor			
50'	100'	150'	200'
120V Power Line			
12	12	10	8

The sizes shown on this chart are recommendations for copper conductors only. Always follow local and national electrical codes

DRAIN CONNECTION AND SYSTEM TEST

Using recommended drain opening, connect whirlpool drain to waste line. Tighten all drain joints securely. Check the pump couplings and make sure they are hand-tight. Clean the whirlpool and fill with water to a point 2" above the top of the highest jet. Recheck the pump couplings and make certain that they are not leaking. (Although the pump couplings are factory tightened and inspected, some loosening may have occurred during transit.) Make sure the whirlpool is connected to the electrical supply and turn the whirlpool on. Check for leaks around all piping connections while the whirlpool is running.

POST INSTALLATION CLEAN-UP

Remove all construction debris from bath. Tile grout can be removed with a wooden popsicle stick or tongue depressor. Do not use wire brushes or any other metal implement on bath surface.

Post installation clean-up generally can be completed using warm water and liquid dishwashing detergent. Stubborn dirt or stains may be removed using granular Spic and Span[®] mixed with water.

Painter's naphtha can be used to remove excess adhesives and/or wet oil-base paint.

FEATURES of YOUR NEW AMERICAN STANDARD ACRYLIC BATHTUB

Your new acrylic bathtub has been molded in the newest plumbing fixture material available today. Acrylics are tough durable finishes that are simple and easy to care for.

The colors have been formulated to match other American-Standard fixtures and enhance your choice of bathroom decorations. The high gloss surface is resistant to impact and chemicals and will retain its lasting luster with proper care and maintenance.

AFTERCARE and CLEANING

- Always fill the tub with temperate water. Excessively hot water may cause surface damage
- Remove bath mat after use and hang to dry. Allowing bath mat to dry in the tub may cause surface damage.
- Clean after use with a mild liquid household detergent cleaner. Do not use Lestoil, Lysol Disinfectant (spray or concentrate), or Lysol Basin, Tub and Tile Cleaner, Windex, Mr. Clean, Dow Disinfectant Bathroom Cleaner, or cleaning products in aerosol cans.

HARSH CHEMICALS SHOULD NEVER BE USED ON ACRYLIC SURFACES.

- Do not use wire brushes, knives or sharp objects to remove stains, cigarette tar deposits, or other surface blemishes.
- Abrasive cleaners or powders must not be used, since they will dull the surface. If the glossy surface loses its sheen, dulled areas can be restored by rubbing with a white "automotive type" polishing compound and waxing with a "liquid wax."
- **Do not wax areas where you walk or stand.**
- Do not allow nail polish remover, acetone, dry cleaning fluid, paint remover or other solvents to come into contact with the surface.
- Clean the surrounding surface immediately after using caustic drain cleaners.
- Burning cigarettes will damage the surface.
- Should damage to the fixture occur, repairs can be made quickly and easily.
Your distributor or builder can provide details.

Free Manuals Download Website

<http://myh66.com>

<http://usermanuals.us>

<http://www.somanuals.com>

<http://www.4manuals.cc>

<http://www.manual-lib.com>

<http://www.404manual.com>

<http://www.luxmanual.com>

<http://aubethermostatmanual.com>

Golf course search by state

<http://golfingnear.com>

Email search by domain

<http://emailbydomain.com>

Auto manuals search

<http://auto.somanuals.com>

TV manuals search

<http://tv.somanuals.com>