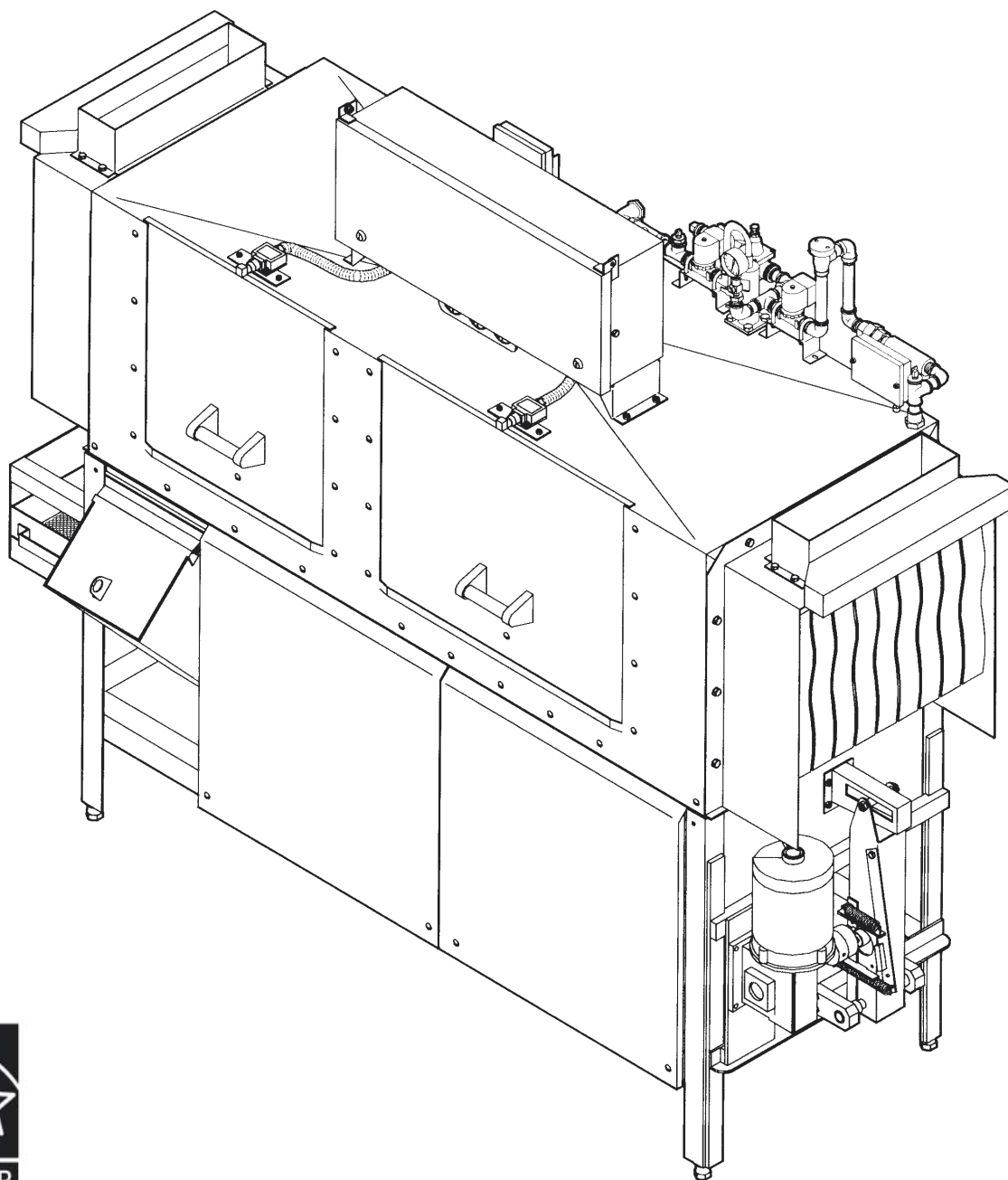


EFFECTIVE: MAY, 2008

American Dish Service

ADS CONVEYOR DISHWASHER
MODELS: ADC-66 L-R/R-L

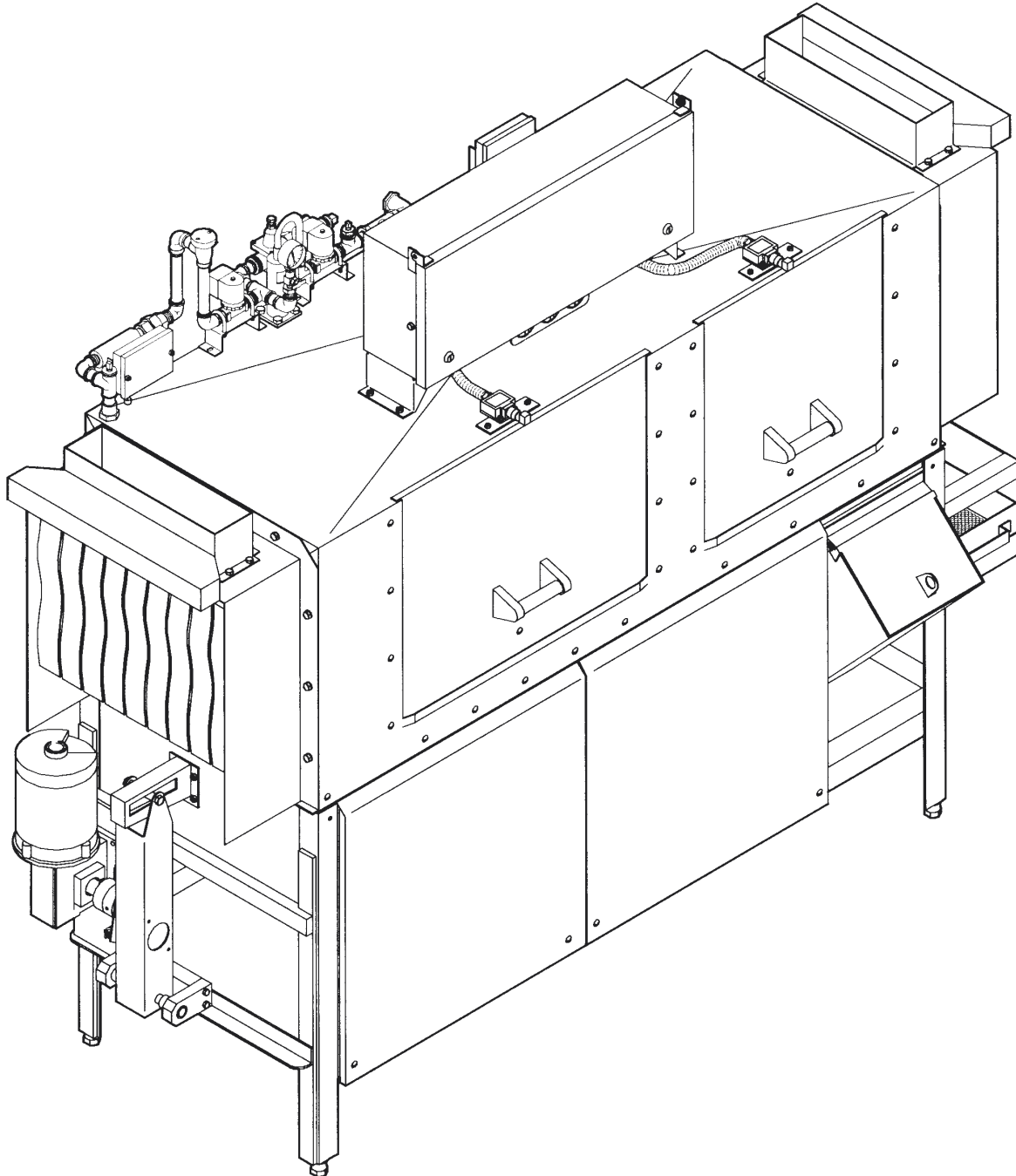


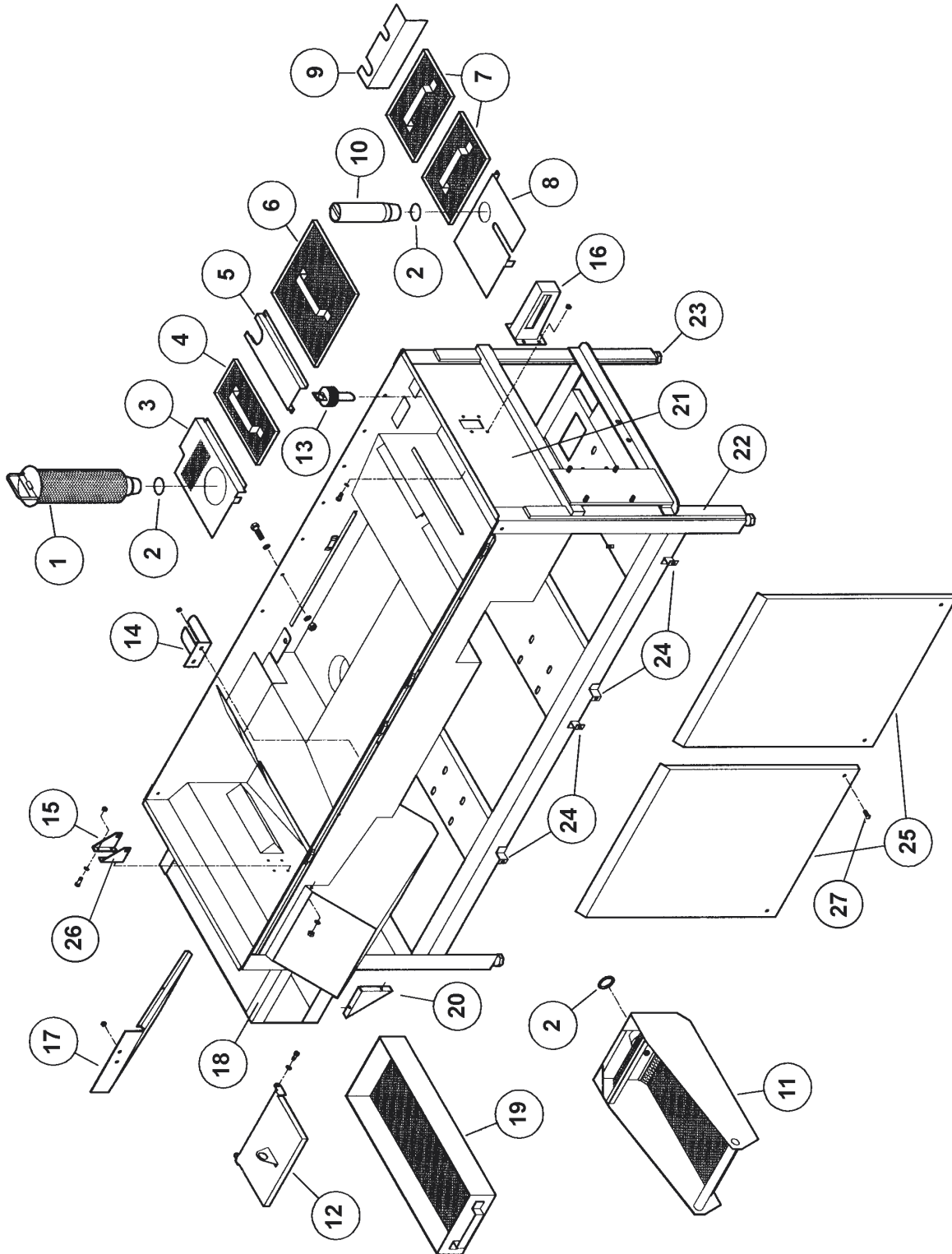
PARTS MANUAL

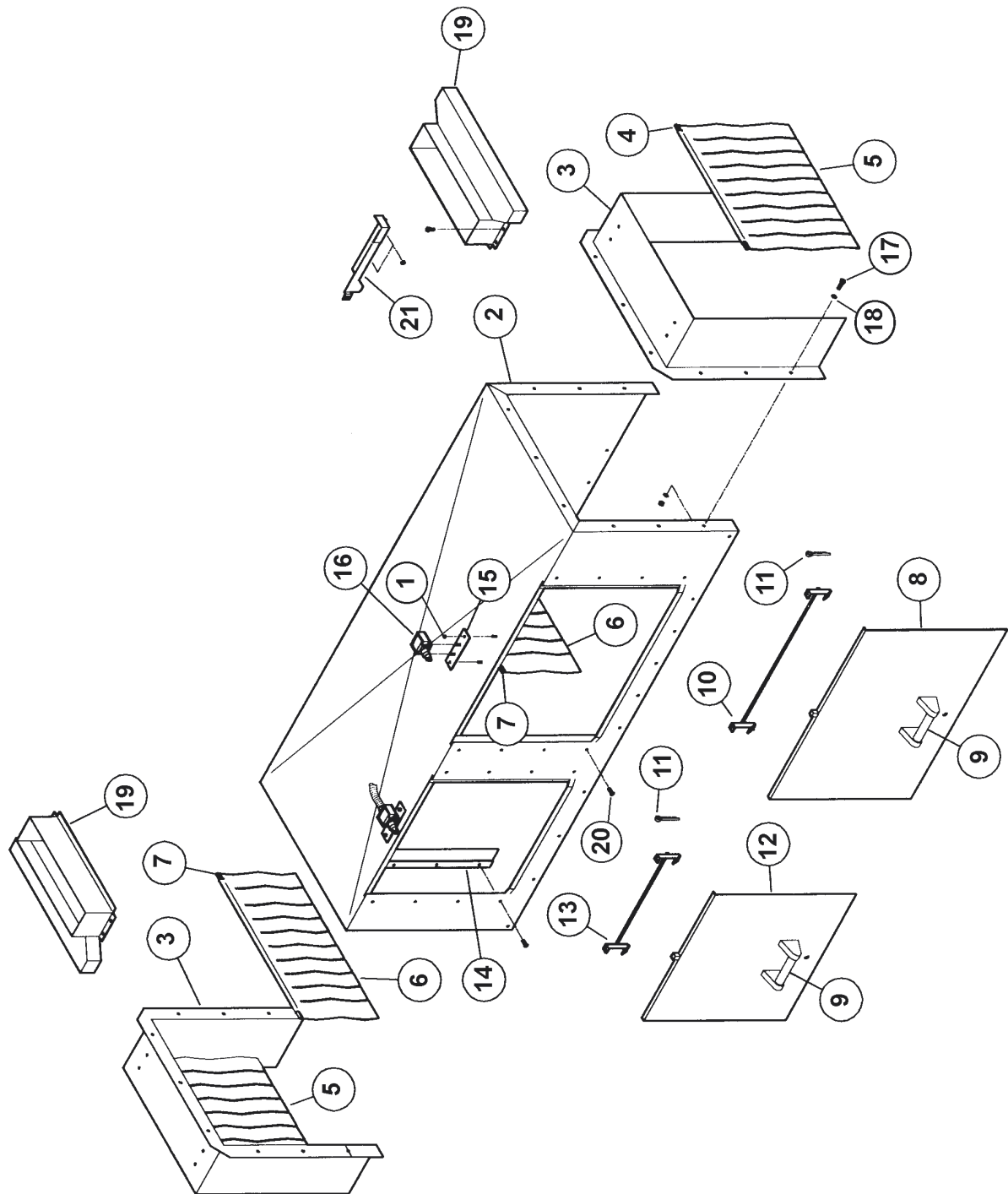
900 Blake Street
Edwardsville, Kansas 66111
(913)422-3700

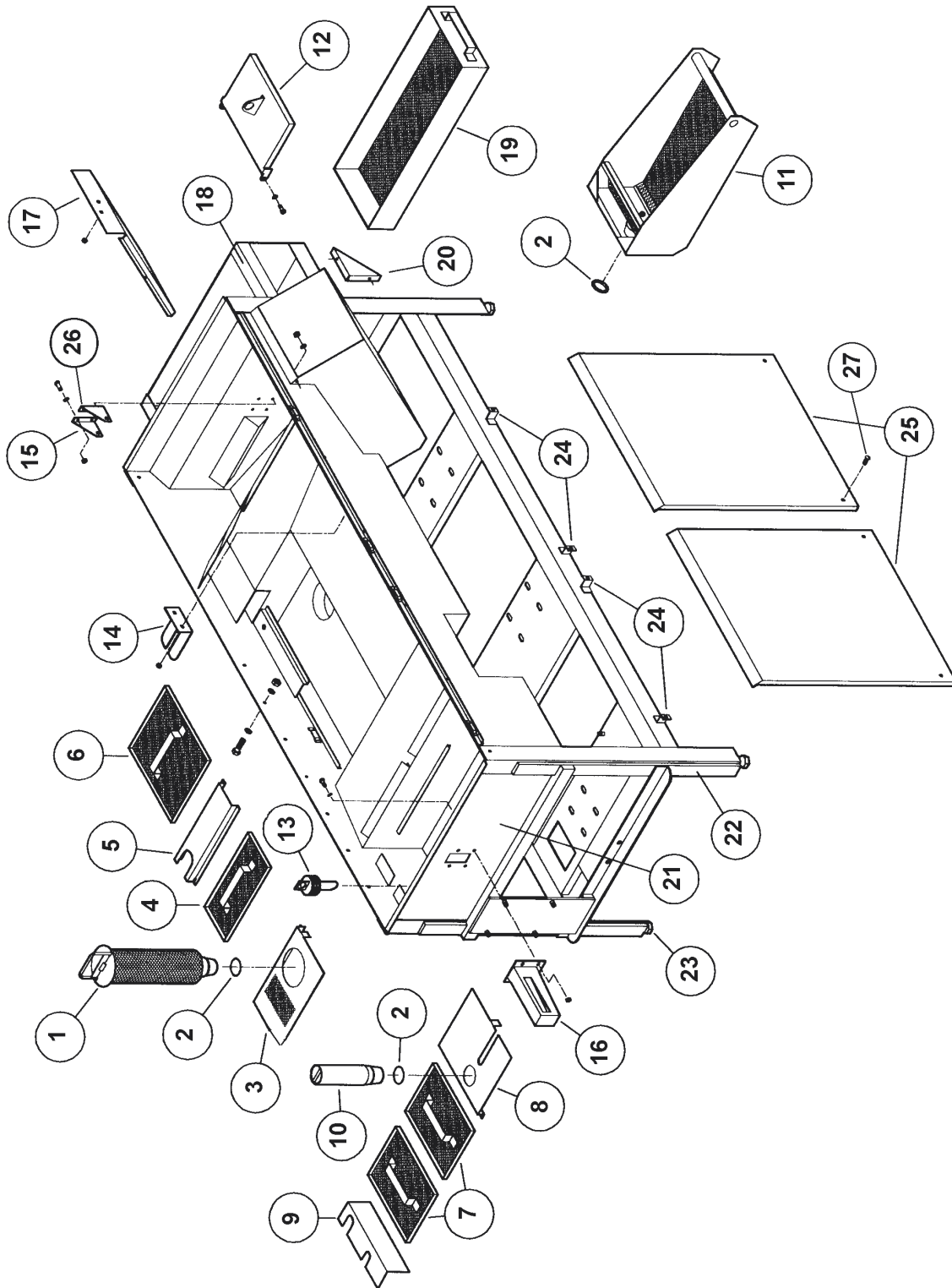
213-0066 L-R / 214-0066 R-L
ADC-66 Conveyor
Dishwasher

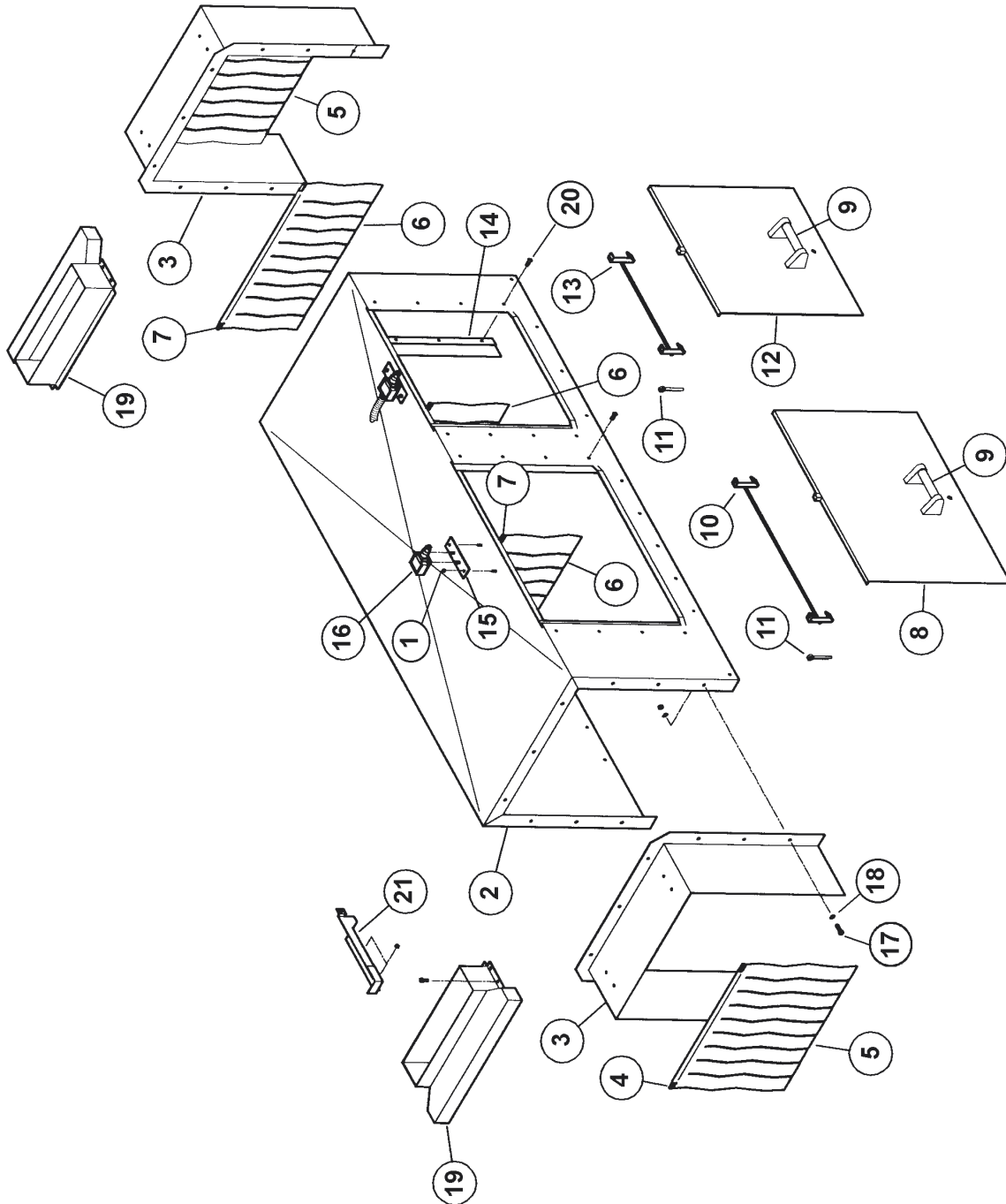
American Dish Service

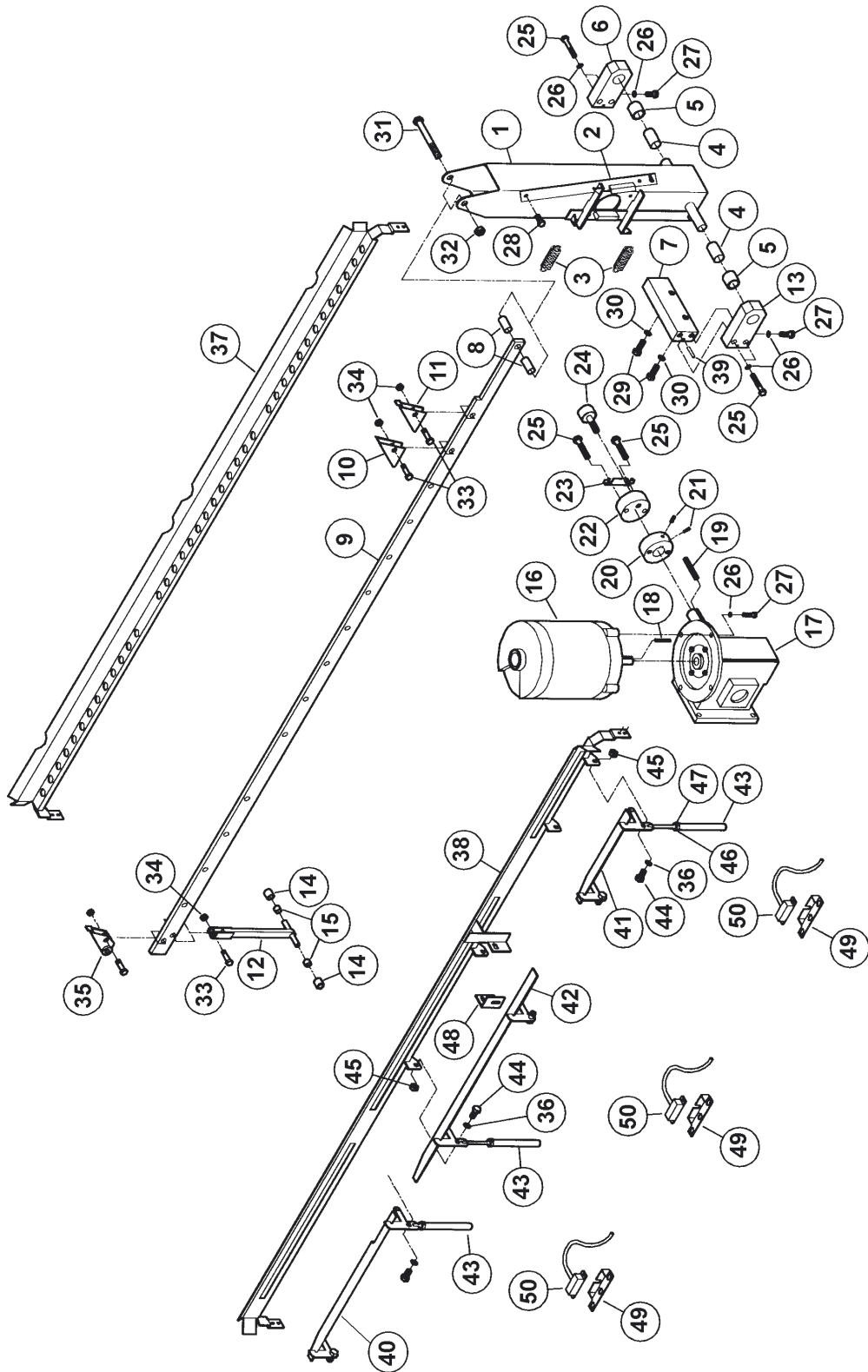










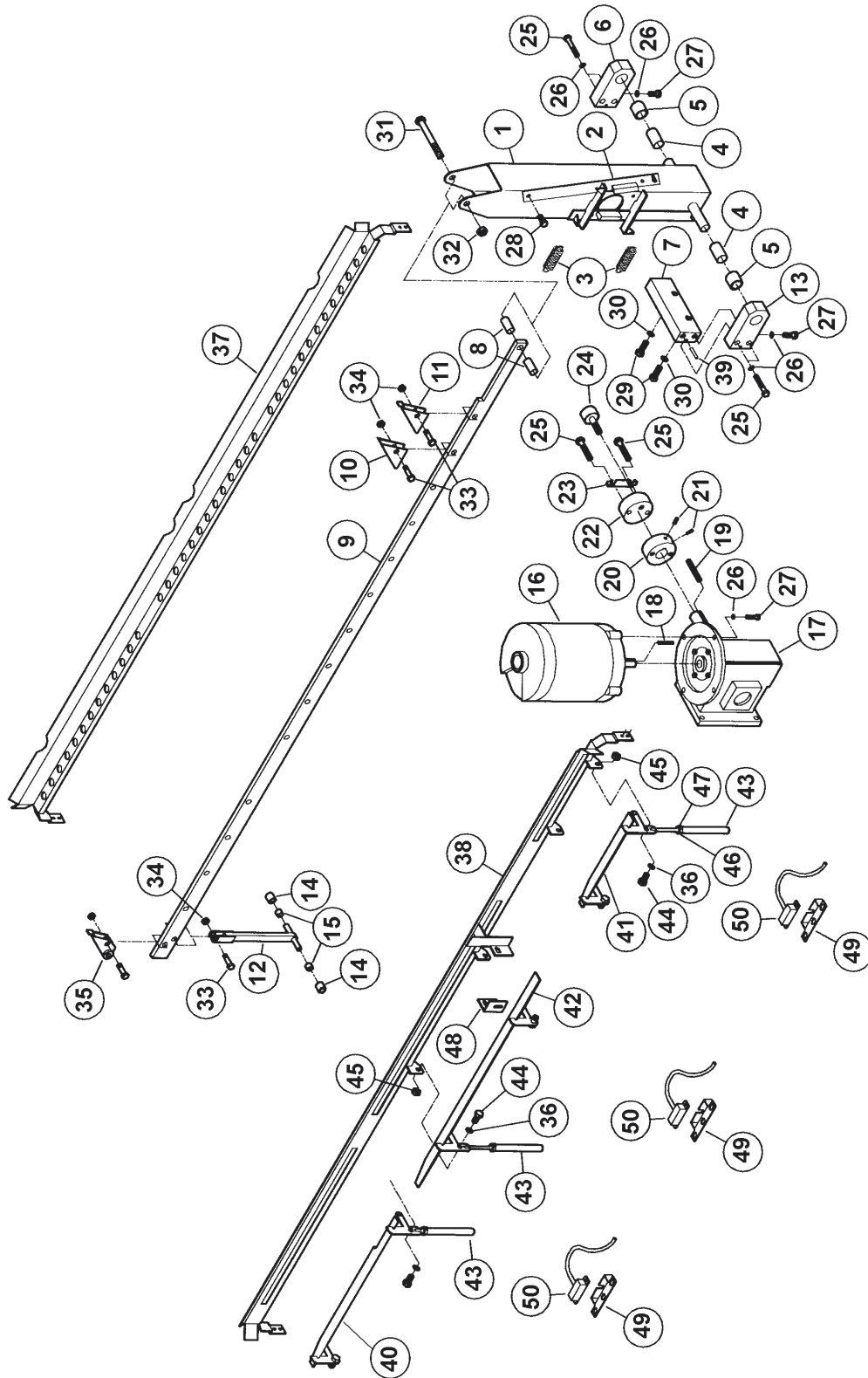


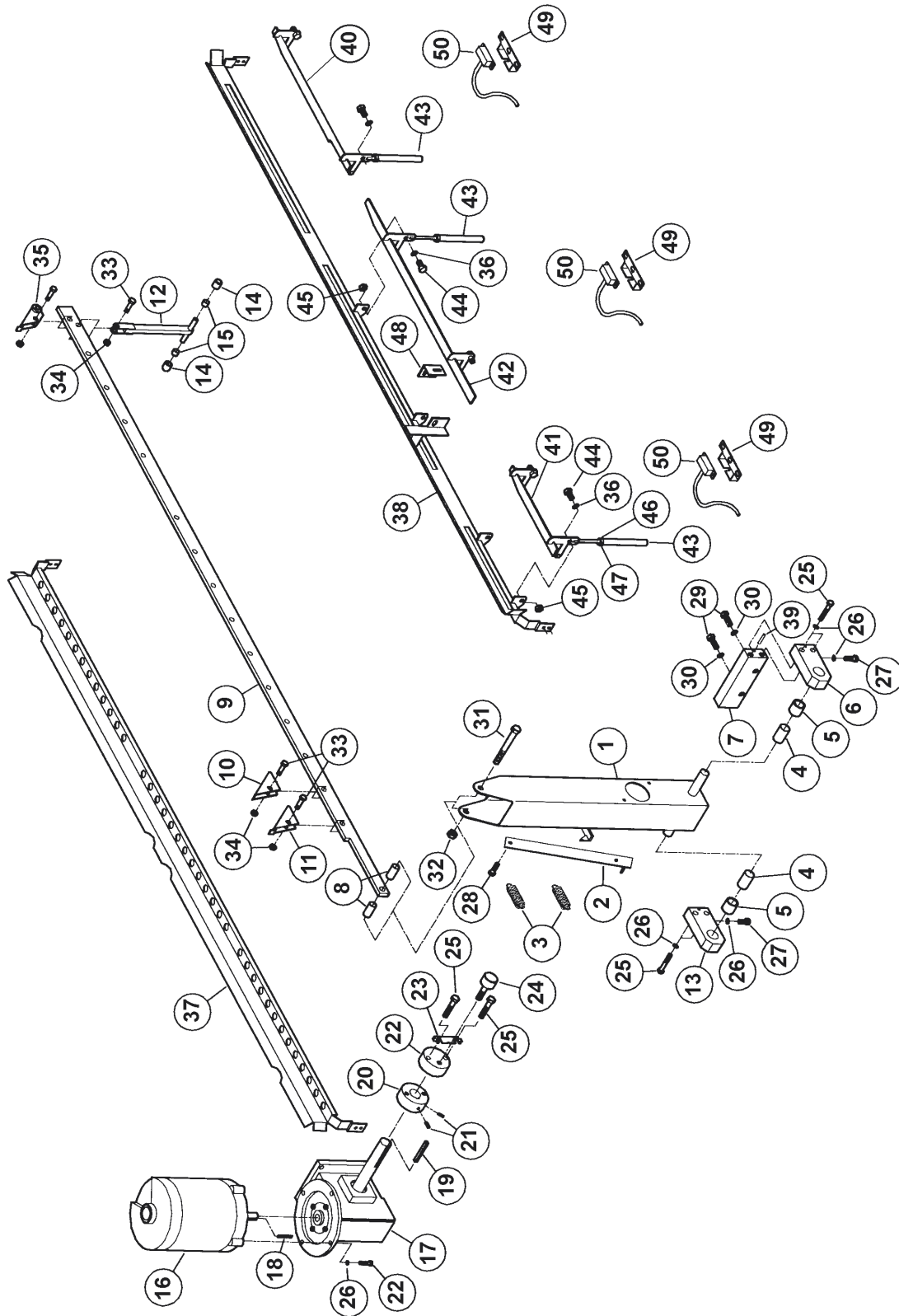
268-1000

Conveyor Drive & Tray Track
Control, ADC-66 L-R

American Dish Service

Ref. No.	Part No.	No. Req.	Description
1	285-6133	1	Rocker Arm Weldment
2	285-6134	2	Slip Clutch Bar Weldment
3	298-3001	2	Spring, Slip Clutch
4	284-6142	2	Spacer, Rocker Arm
5	298-4001	2	Bushing, 1" OD x 3/4" ID x 7/8" Lg
6	284-6141	1	Block, Pillow Bushing, RH
7	284-6139	1	Block, Base, Pillow Bushing
8	284-6149	2	Spacer, Conveyor Connecting Bolt
9	284-6202	1	Bar, Conveyor, ADC-66
10	285-6136	13	Dog Weldment, Conveyor
11	285-6137	2	Exit Dog Weldment, Conveyor
12	285-6135	1	Idler Arm Weldment
13	284-6140	1	Block, Pillow Bushing, LH
14	298-4002	2	Bushing, Idler Arm, 5/8" OD x 3/8" ID x 5/8" Lg
15	284-6143	2	Spacer, Idler Arm, 5/8" OD x 3/8" ID x 3/8" Lg
16	291-1003	1	Motor, 1/3 HP, 3 Ph
17	291-1004	1	Gear Box (53:1)
18	284-6201	1	Key, Conveyor Drive Motor
19	284-6137	1	Key, Cam Block
20	284-6134	1	Cam Block (A), Gear Box Side
21	098-1441	2	Set Screw, 1/4-20 x 1/2" Lg
22	284-6135	1	Cam Block (B), Cam Follower Side
23	286-6189	1	Bolt, Lock, Cam Follower
24	281-6201	1	Bearing, Cam Follower
25	098-1611	6	Bolt, 3/8-16 x 2", HH, SS
26	098-2710	10	Lockwasher, 3/8", SS
27	098-1614	6	Bolt, 3/8" x 1", HH, SS
28	098-1506	2	Bolt, 5/16-18 x 3/4", HH, SS
29	098-1802	2	Bolt, 1/2-13 x 1 1/4", HH, SS
30	098-2802	2	Lockwasher, 1/2", SS
31	098-1801	1	Bolt, 1/2-13 x 4", HH, SS
32	098-2801	1	Locknut, 1/2-13, SS
33	098-1612	17	Bolt, 3/8-16 x 1 1/8" w/ 3/4" Shoulder, HH, SS
34	098-2708	17	Locknut, 3/8-16, SS
35	285-6212	1	Dog Weldment, ADC-66
36	098-2404	18	Washer, 1/4", SS
37	285-6225	1	Tray Track Weldment, ADC-66, L-R, Rear
38	285-6224	1	Tray Track Weldment, ADC-66, L-R, Front
39	098-8009	2	Dowel Pin, 3/16" x 1" Lg, SS
40	285-6214	1	Sequence Bar Weldment, ADC-66, L-R, Pre-Wash



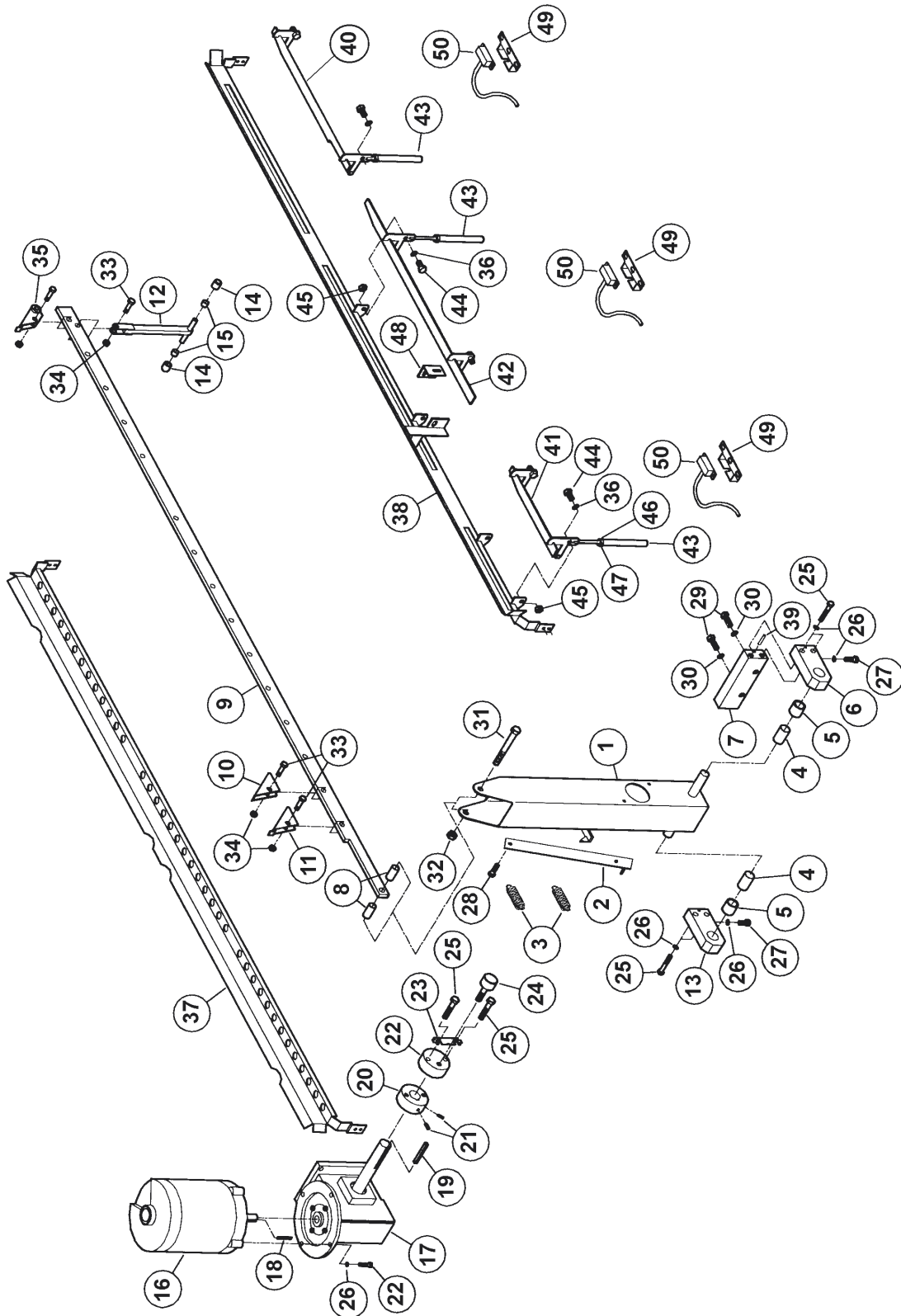


268-1100

Conveyor Drive & Tray Track
Control, ADC-66 R-L

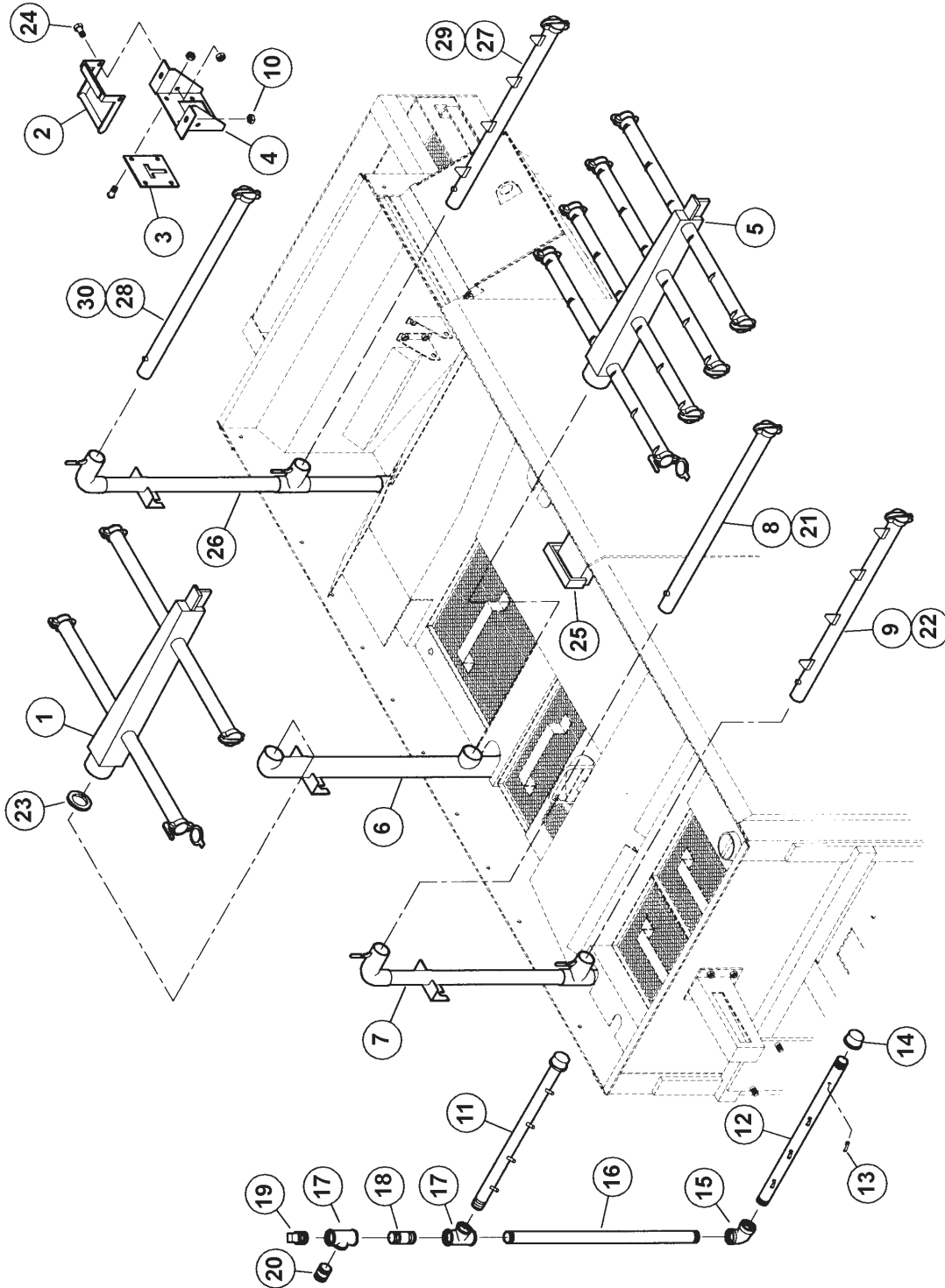
American Dish Service

Ref. No.	Part No.	No. Req.	Description
1	285-6133	1	Rocker Arm Weldment
2	285-6134	2	Slip Clutch Bar Weldment
3	298-3001	2	Spring, Slip Clutch
4	284-6142	2	Spacer, Rocker Arm
5	298-4001	2	Bushing, 1" OD x 3/4" ID x 7/8" Lg
6	284-6141	1	Block, Pillow Bushing, RH
7	284-6139	1	Block, Base, Pillow Bushing
8	284-6149	2	Spacer, Conveyor Connecting Bolt
9	284-6202	1	Bar, Conveyor, ADC-66
10	285-6136	13	Dog Weldment, Conveyor
11	285-6137	2	Exit Dog Weldment, Conveyor
12	285-6135	1	Idler Arm Weldment
13	284-6140	1	Block, Pillow Bushing, LH
14	298-4002	2	Bushing, Idler Arm, 5/8" OD x 3/8" ID x 5/8" Lg
15	284-6143	2	Spacer, Idler Arm, 5/8" OD x 3/8" ID x 3/8" Lg
16	291-1003	1	Motor, 1/3 HP, 3 Ph
17	291-1004	1	Gear Box (53:1)
18	284-6201	1	Key, Conveyor Drive Motor
19	284-6137	1	Key, Cam Block
20	284-6134	1	Cam Block (A), Gear Box Side
21	098-1441	2	Set Screw, 1/4-20 x 1/2" Lg
22	284-6135	1	Cam Block (B), Cam Follower Side
23	286-6189	1	Bolt, Lock, Cam Follower
24	281-6201	1	Bearing, Cam Follower
25	098-1611	6	Bolt, 3/8-16 x 2", HH, SS
26	098-2710	10	Lockwasher, 3/8", SS
27	098-1614	6	Bolt, 3/8" x 1", HH, SS
28	098-1506	2	Bolt, 5/16-18 x 3/4", HH, SS
29	098-1802	2	Bolt, 1/2-13 x 1 1/4", HH, SS
30	098-2802	2	Lockwasher, 1/2", SS
31	098-1801	1	Bolt, 1/2-13 x 4", HH, SS
32	098-2801	1	Locknut, 1/2-13, SS
33	098-1612	17	Bolt, 3/8-16 x 1 1/8" w/ 3/4" Shoulder, HH, SS
34	098-2708	17	Locknut, 3/8-16, SS
35	285-6212	1	Dog Weldment, ADC-66
36	098-2404	18	Washer, 1/4", SS
37	285-6223	1	Tray Track Weldment, ADC-66, R-L, Rear
38	285-6222	1	Tray Track Weldment, ADC-66, R-L, Front
39	098-8009	2	Dowel Pin, 3/16" x 1" Lg, SS
40	285-6213	1	Sequence Bar Weldment, ADC-66, R-L, Pre-Wash



265-0900 L-R Spray System
Assembly
265-1000 R-L Spray System
Assembly(Shown)
ADC-66

American Dish Service



265-0900 L-R Spray System
Assembly

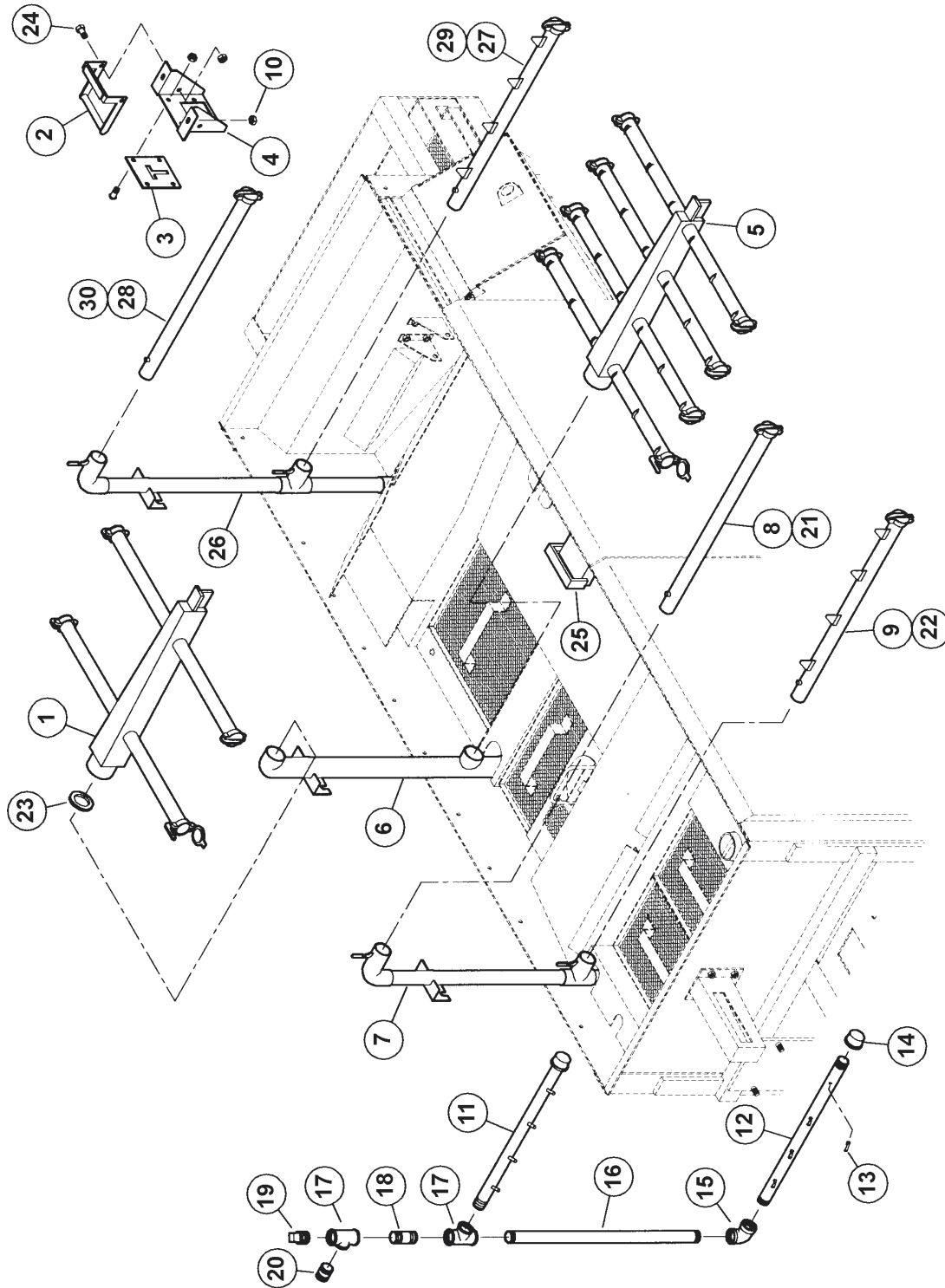
265-1000 R-L Spray System
Assembly(Shown)
ADC-66

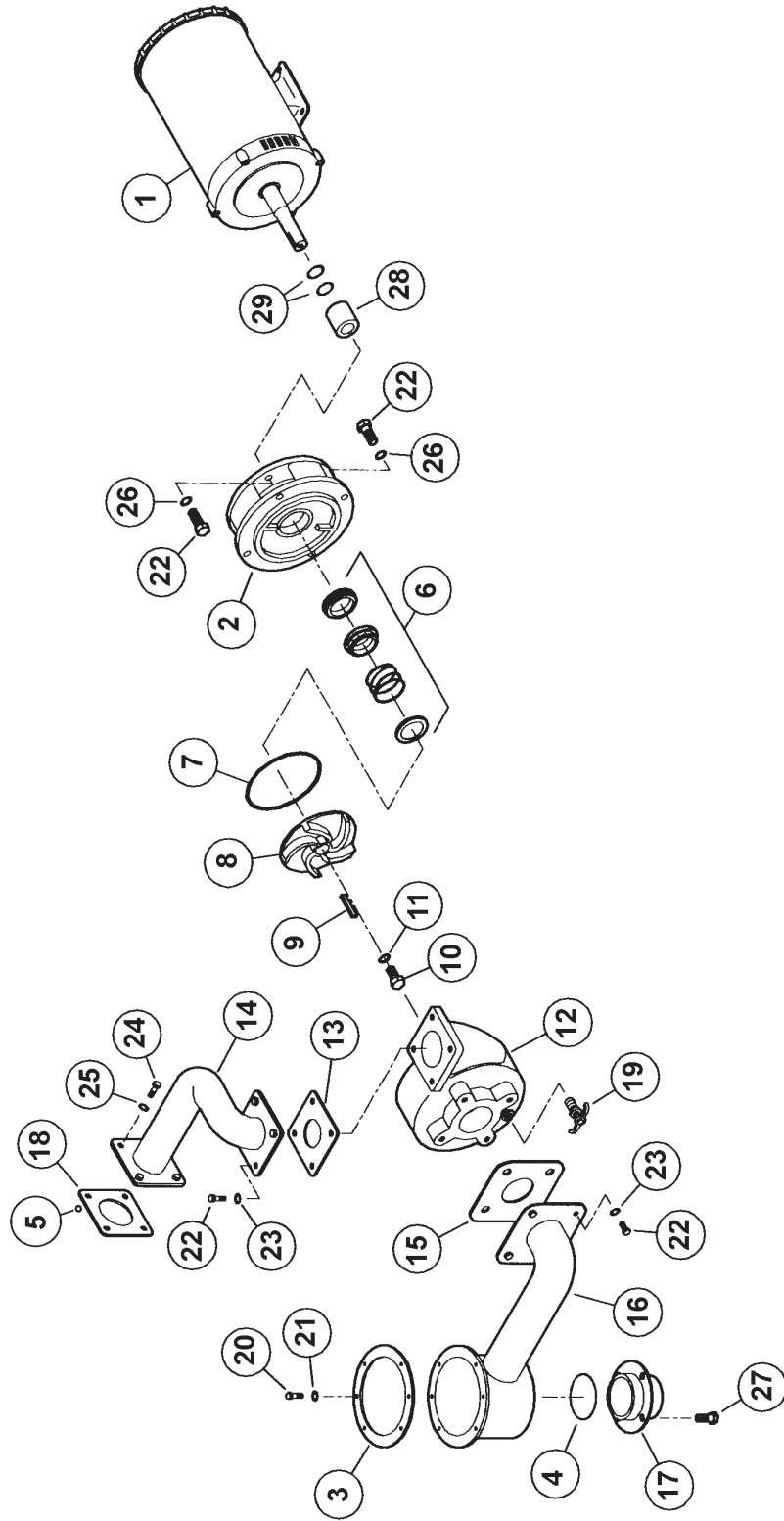
American Dish Service

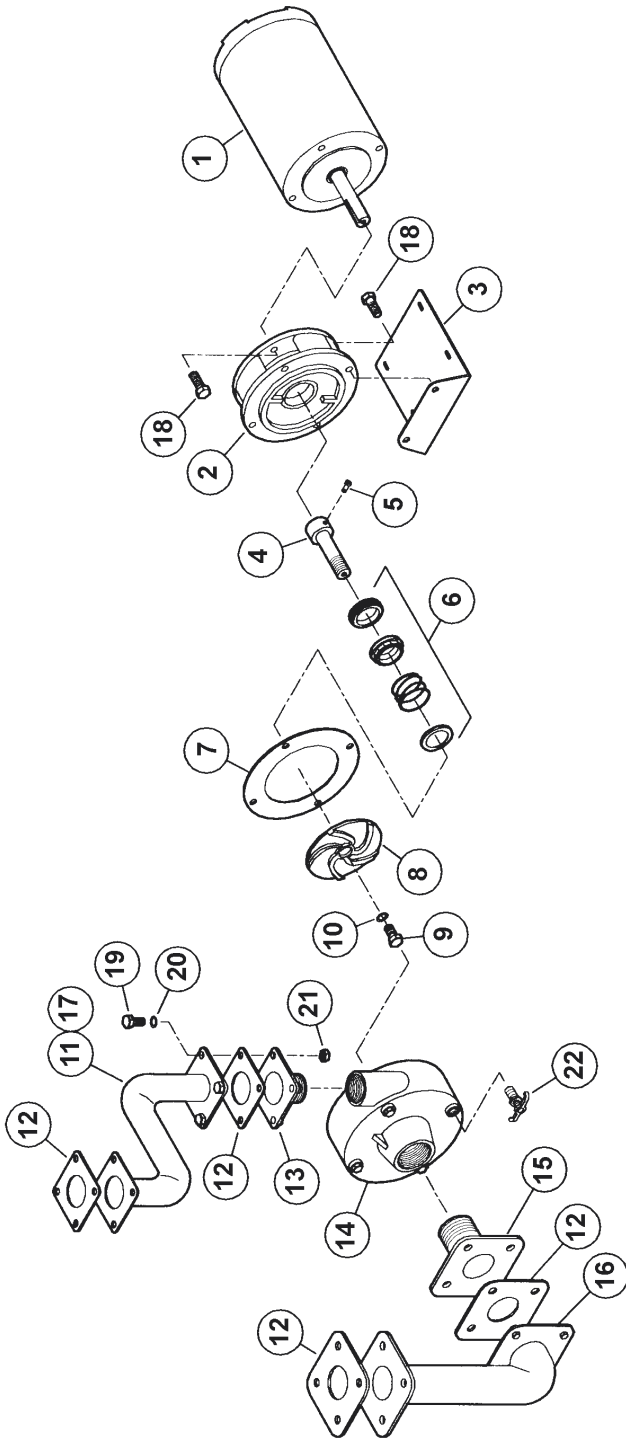
Ref. No.	Part No.	No. Req.	Description
1	285-6159	1	Upper Wash Arm Weldment Assembly
2	285-6129	1	Handle Weldment, Upper Wash Arm Mount
3	285-6128	1	Tee Plate Weldment, Upper Wash Arm
4	286-6177	1	Bracket, Upper Wash Arm Mount
5	285-6156	1	Lower Wash Arm Weldment Assembly
6	285-6155	1	Manifold Weldment, Inside Wash
7	285-6166	1	Manifold Weldment, Inside Pumped Rinse
8	285-6168	1	Spray Arm Weldment, Pumped Rinse, Upper, L-R
9	285-6167	1	Spray Arm Weldment, Pumped Rinse, Lower, L-R
10	098-2507	8	Locknut, 1/4-20, SS
N/S	285-6158	14	Spray Arm Endcap Weldment
11A	281-6208	1	Spray Arm, Final Rinse, Upper, L-R, SS Jets
11B	281-6206		Spray Arm, Final Rinse, Upper, L-R, Poly Jets
11C	281-6204		Spray Arm, Final Rinse, Upper, R-L, SS Jets
11D	281-6202		Spray Arm, Final Rinse, Upper, R-L, Poly Jets
11E	285-6142		Spray Arm Weld., Final Rinse, Upper, L-R, Arm Only
11F	285-6140		Spray Arm Weld., Final Rinse, Upper, R-L, Arm Only
12A	281-6209	1	Spray Arm, Final Rinse, Lower, L-R, SS Jets
12B	281-6207		Spray Arm, Final Rinse, Lower, L-R, Poly Jets
12C	281-6205		Spray Arm, Final Rinse, Lower, R-L, SS Jets
12D	281-6203		Spray Arm, Final Rinse, Lower, R-L, Poly Jets
12E	285-6143		Spray Arm Weld., Final Rinse, Lower, L-R, Arm Only
12F	285-6141		Spray Arm Weld., Final Rinse, Lower, R-L, Arm Only
13A	284-6146	8	Jets, Final Rinse Spray Arm, SS
13B	284-6145		Jets, Final Rinse Spray Arm, Poly
14	292-1011	2	Cap, 1/2" FPT, SS
15	292-1003	1	Fitting, 1/2" FPT 90° Elbow, SS
16	292-3009	1	Nipple, 1/2" x 2 1/2" Lg, SS
17	292-1002	2	Fitting, 1/2" x 1/2" x 1/2" Tee, SS
18	292-3010	1	Nipple, 1/2" x 3", SS
19	292-1012	1	Plug, 1/2" MPT, SS
20	292-3001	1	Nipple, 1/2" x 1 1/2" Lg, SS
21	285-6170		Spray Arm, Pumped Rinse, Upper, R-L
22	285-6169		Spray Arm, Pumped Rinse, Lower, R-L
23	289-6608	2	Gasket, O-Ring, Wash Arm
24	098-1423	2	Bolt, 1/4-20 x 1/2", HH, SS
25	285-6130	1	Handle Weldment, Wash Arm Mount, Lower
26	285-6198	1	Manifold Weldment, Pre-Wash
27	285-6236	1	Spray Arm Weldment R-L, ADC-66, Lower Pre-Wash
28	285-6237	1	Spray Arm Weldment R-L, ADC-66, Upper Pre-Wash

265-0900 L-R Spray System
Assembly
265-1000 R-L Spray System
Assembly(Shown)
ADC-66

American Dish Service

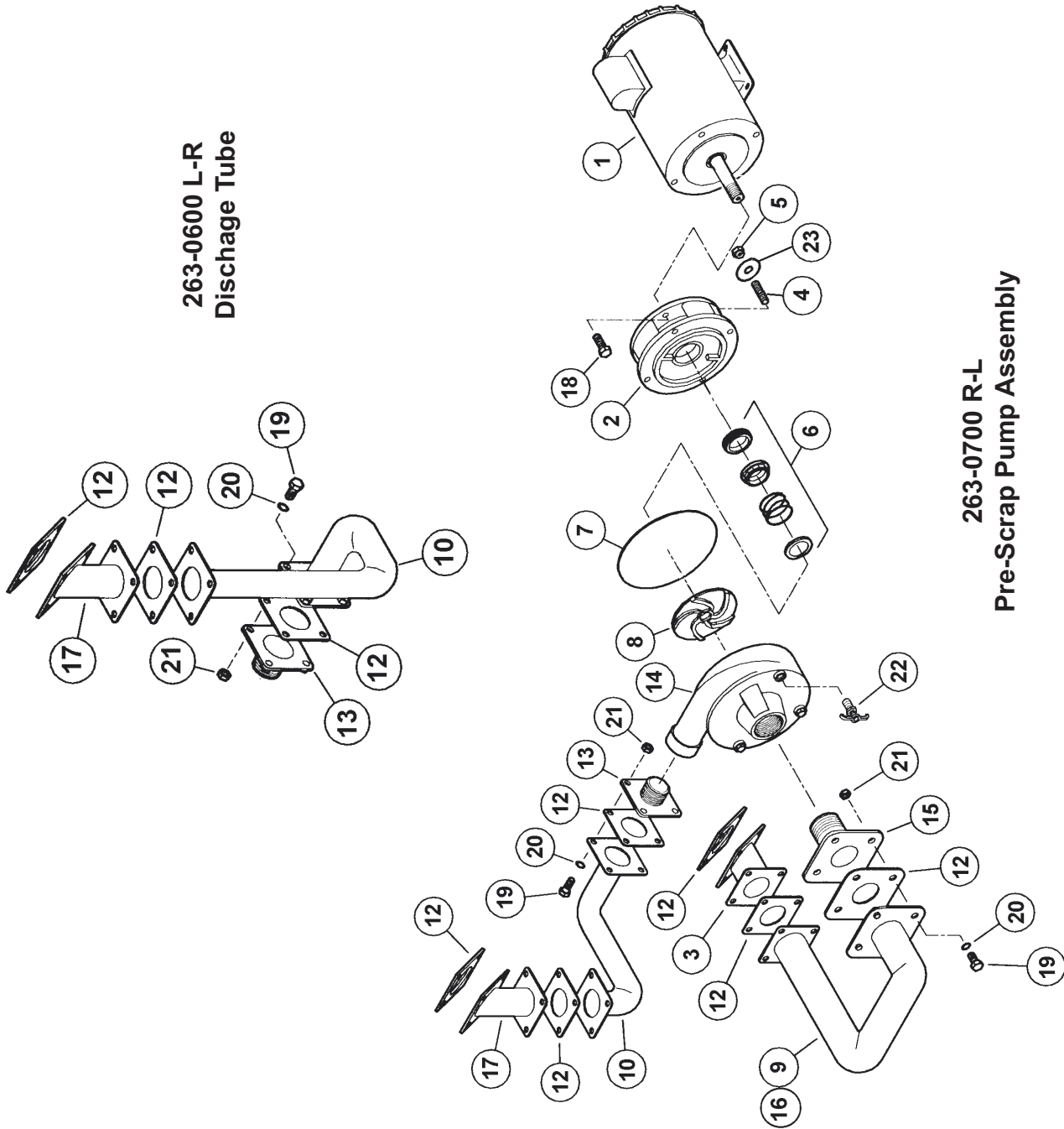






263-0600 L-R Pre-Wash Pump
 Assembly
 263-0700 R-L Pre-Wash Pump
 Assembly
 ADC-66

American Dish Service

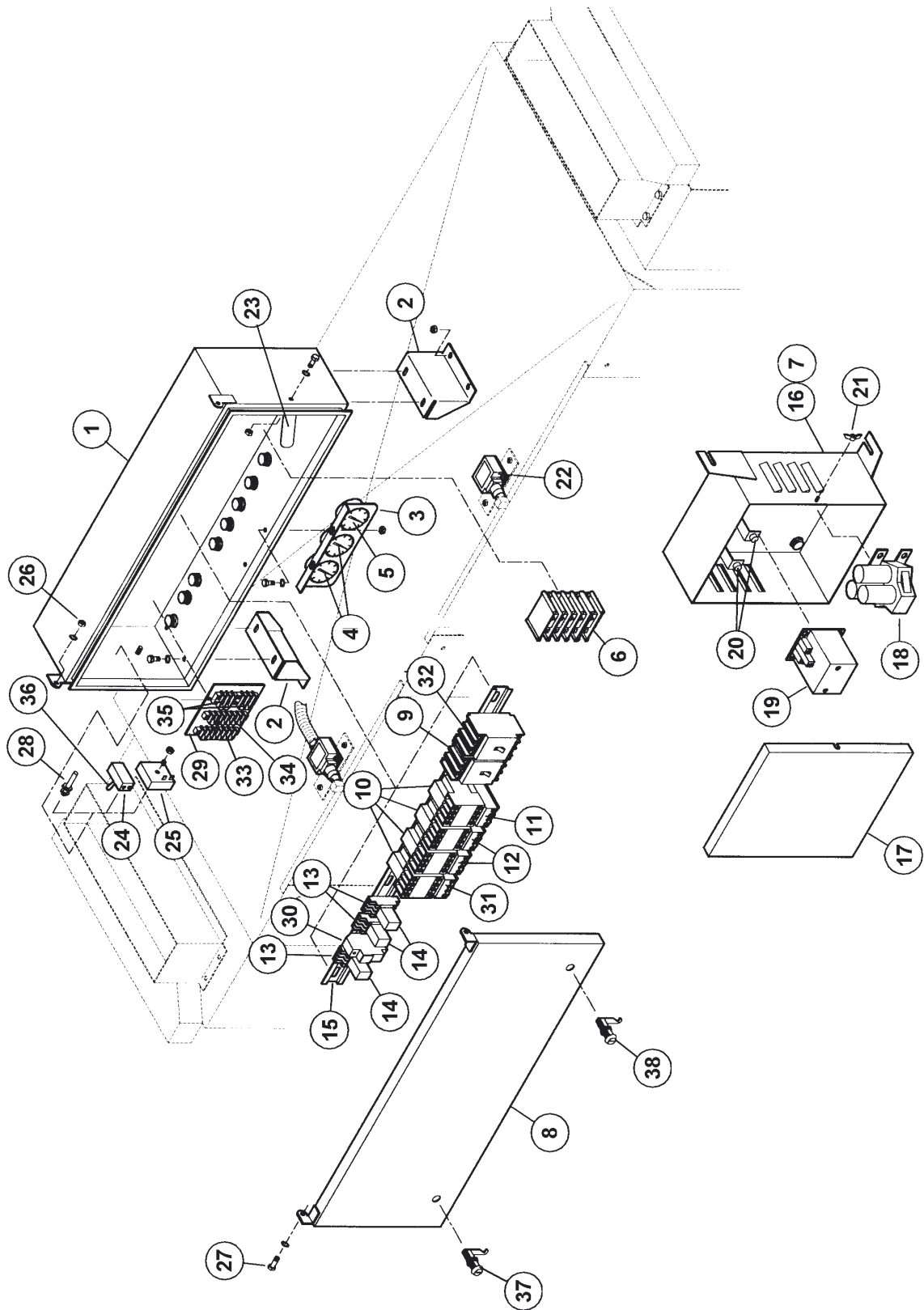


263-0600 L-R
 Discharge Tube

263-0700 R-L
 Pre-Scrap Pump Assembly

264-0500 L-R
Control System Assembly
264-0600 R-L
Control System Assembly
ADC-66

American Dish Service



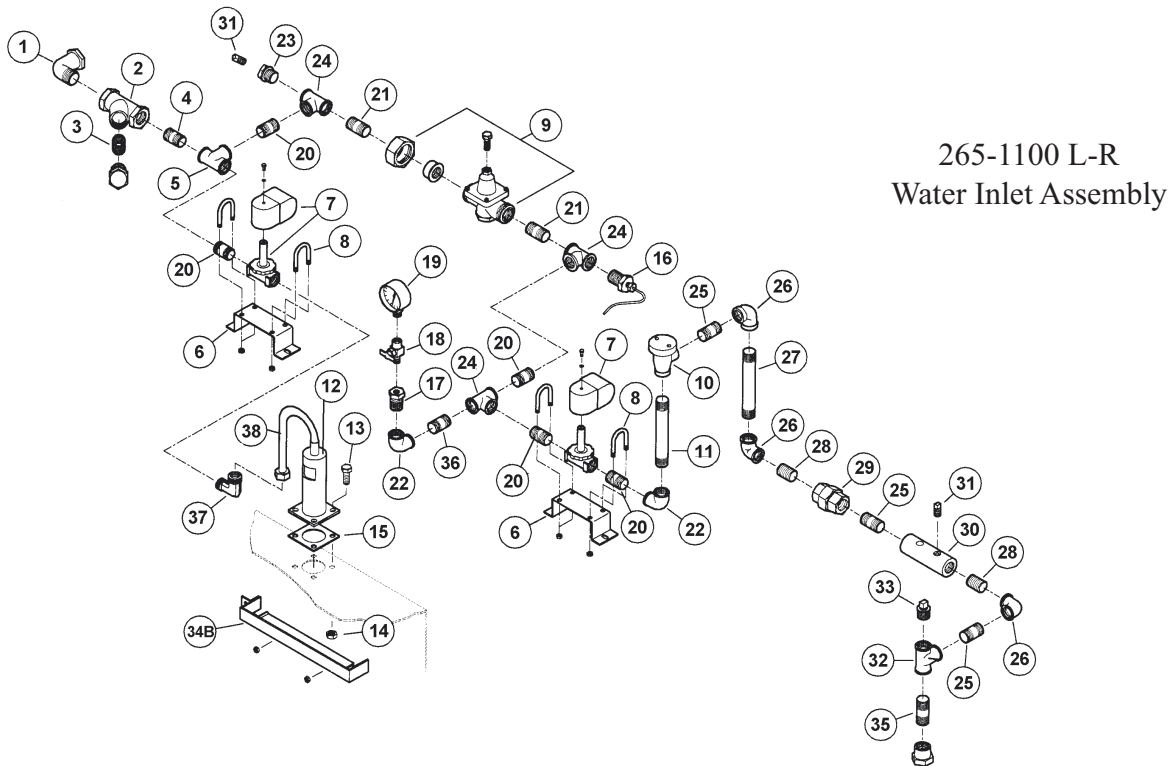
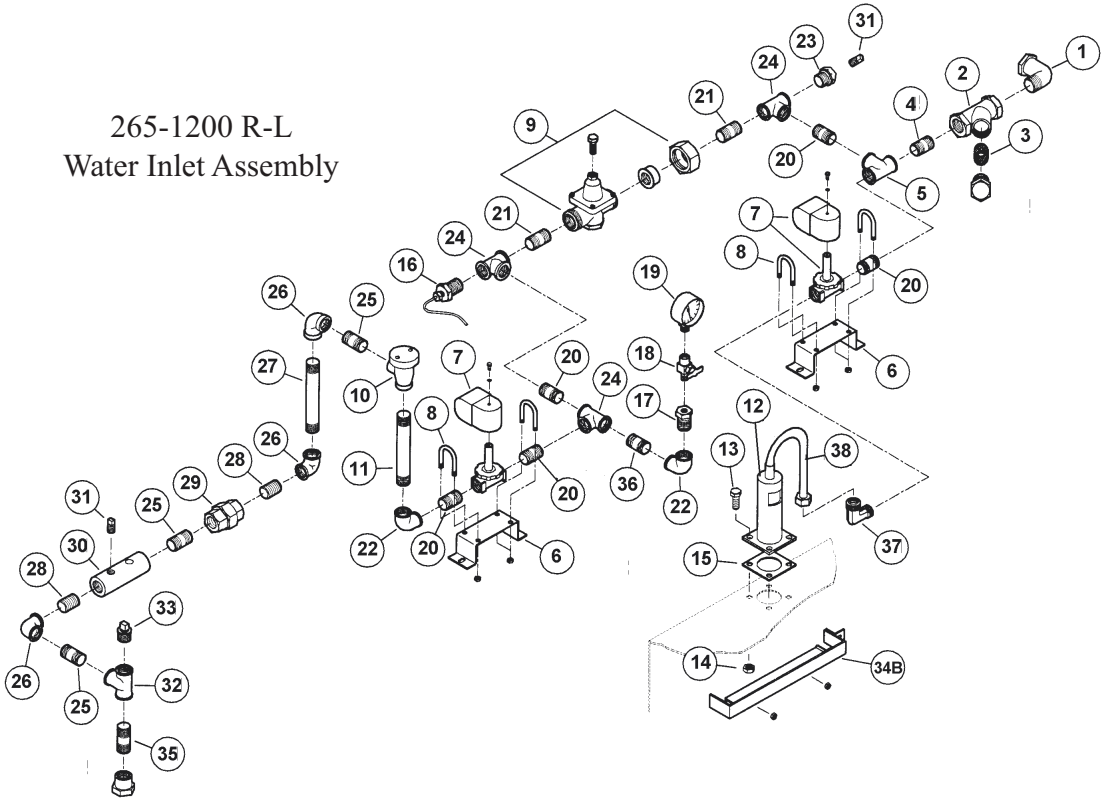
264-0500 L-R
Control System Assembly
264-0600 R-L
Control System Assembly
ADC-66

American Dish Service

Ref. No.	Part No.	No. Req.	Description
1	285-6231	1	Control Box Weldment
2	286-6111	2	Control Box Mounts
3	286-6180	1	Bracket, Temperature Gauge
4	299-1005	2	Temperature Gauge, Wash and Rinse Tank
5	299-1004	1	Temperature Gauge, Final Rinse
6	391-5101	1	Terminal Block
7	285-6240	1	Power Box Weldment, R-L
8	285-6102	1	Cover Weldment, Control Box
9	291-3020	1	Circuit Breaker, 60 Amp, 3 Pole
10	291-3001	4	Contactors
11	291-3002	1	Overload, 3 HP, 3 Phase
12	291-3003	2	Overload, 1/3 HP, 3 Phase
13	291-3009	3	Socket, Relay
14	291-3005	3	Relay, 110V, DPDT
15	291-9107	1	Din Rail, 22" Lg
16	285-6239	1	Power Box Weldment, L-R
17	287-6104	1	Cover, Power Box
18	291-3006	1	Relay, Mercury, 50 Amp, Wash Heater
19	291-3007	1	Relay, Mercury, 30 Amp, Rinse Heater
20	091-7006	2	Light, Heater
21	098-2308	2	Wingnut, 1/4-20, SS
22	099-4502	2	Switch, Door Cut-Off
23	284-6101	1	Bar, Control Box Safety
24	091-3008	1	Switch, Master
25	291-3008	1	Relay, Time Delay, 6 Second
26	098-2507	13	Locknut, 1/4-20, SS
27	098-1423	2	Bolt, 1/4-20 x 1/2", HH, SS
28	291-7101	1	Light, Indicator
29	286-6107	1	Terminal Block Plate
30	391-9101	1	Fuse Holder
31	291-3023	1	Overload, 1 1/2 HP
32	291-3021	1	Circuit Breaker, 20 Amp, 3 Pole
33	091-5010	1	Terminal Block, 110V
34	291-5106	1	Terminal Block, 110V
35	291-5104	2	Terminal Lock, Chemical Dispenser, 2 Pole
36	291-9105	1	Boot, Master Switch Cover
37	096-1002	1	Control Box Lock
38	096-1008	1	Control Box Dummy Lock
N/S	291-3011	3	Switch, Reed
N/S	291-3022	1	Switch, ADC-66 Pre-Wash, Reed (Normally Open)

265-1100 L-R Water Inlet
Assembly ADC-66
265-1200 R-L Water Inlet
Assembly ADC-66

American Dish Service



265-1100 L-R Water Inlet
 Assembly ADC-66
 265-1200 R-L Water Inlet
 Assembly ADC-66

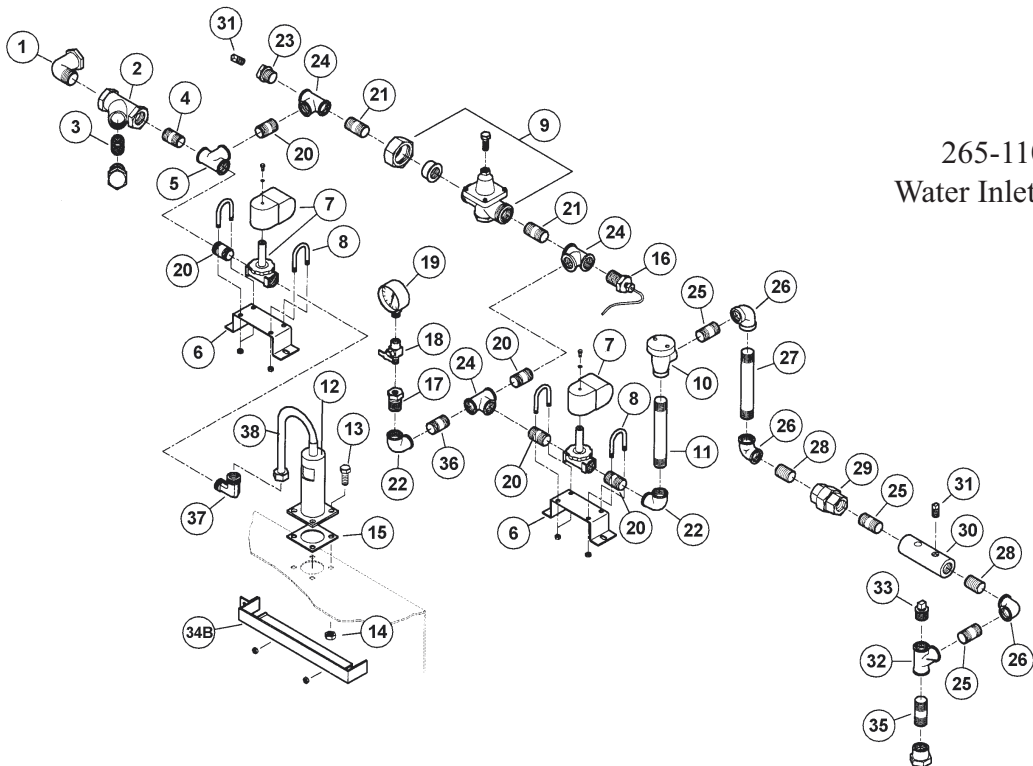
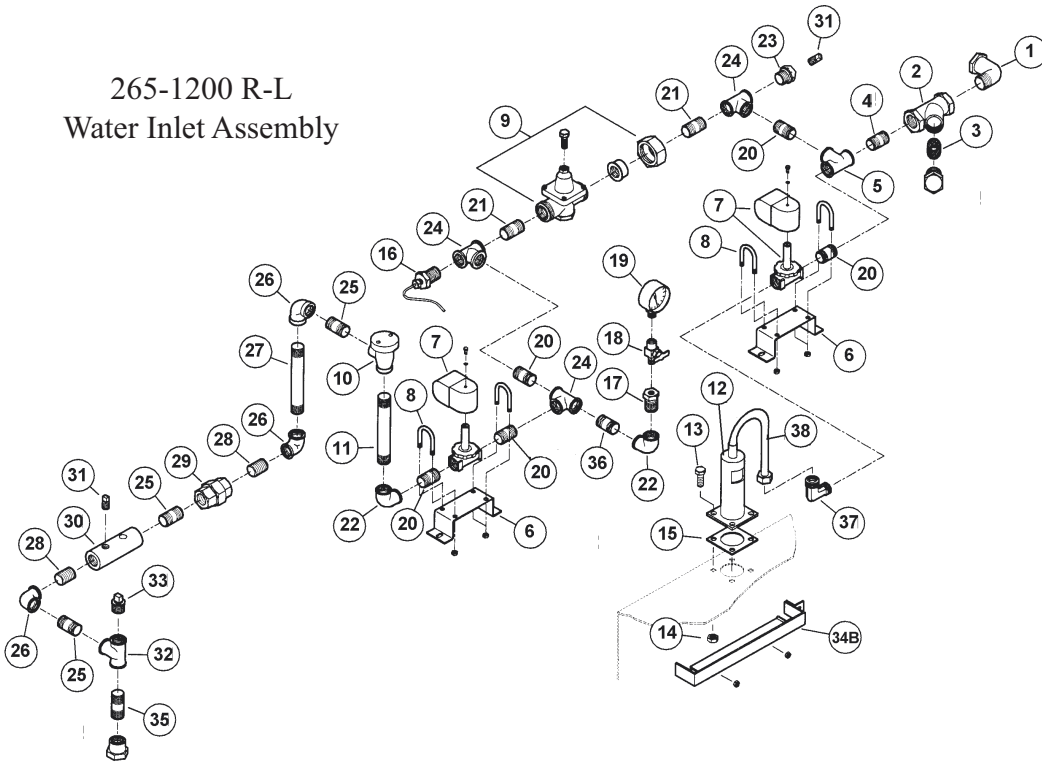
American Dish Service

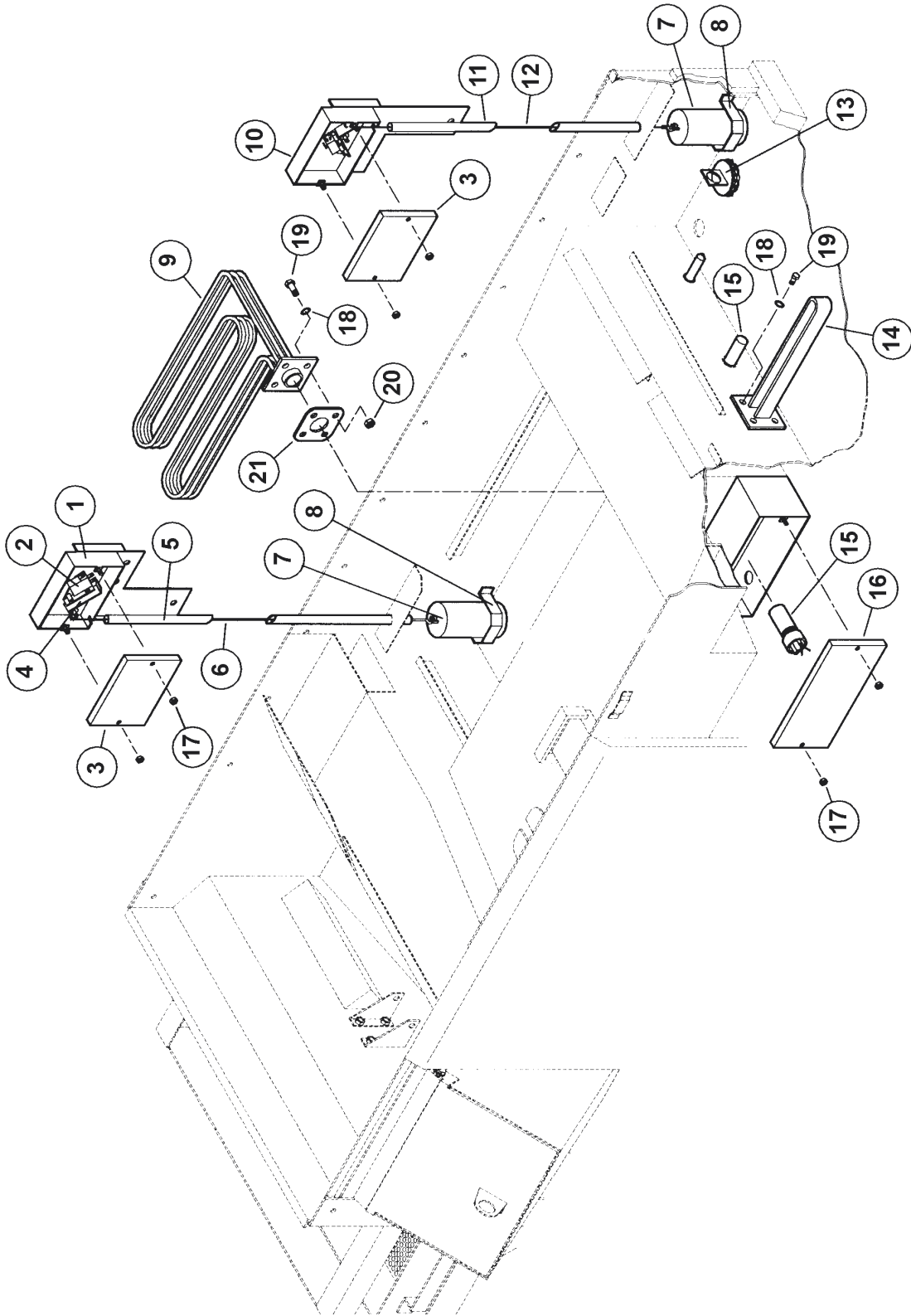
Ref. No.	Part No.	No. Req.	Description
1	092-1074	1	Fitting, 3/4" Street Elbow, 90°
2	092-9006	1	Y-Line Strainer, 3/4"
3	092-9008	Rep.	Screen, Line Strainer, 3/4" (Repair Part)
4	092-1073	1	Nipple, 3/4" Close, Brass
5	092-1107	1	Fitting, Tee, 3/4" x 1/2" x 1/2", Brass
6	286-6191	2	Bracket, Plumbing
7	092-5015	2	Valve, Water Solenoid
8	098-9027	4	U-Bolt, 1/4-20, SS
9	292-5001	1	Pressure Regulator, 1/2"
10	092-5045	1	Vacuum Breaker, 1/2"
11	292-3007	1	Nipple, 1/2" x 6", Brass
12	285-6219	1	Air Gap Weldment
13	098-1423	4	Bolt, 1/4-20x 1/2", HH, SS
14	098-2507	4	Locknut, 1/4-20, SS
15	389-6603	1	Gasket, Air Gap
16	299-1004	1	Temperature Gauge, Final Rinse
17	292-1005	1	Reducer Bushing, 1/2" MPT x 1/4" FPT, Brass
18	292-5002	1	Service Cock
19	299-1003	1	Pressure Gauge
20	292-3002	5	Nipple, 1/2" x 1 1/2" Lg, Brass
21	292-3004	2	Nipple, 1/2" x 2" Lg, Brass
22	292-1014	2	Fitting, 1/2" Elbow, 90°, Brass
23	292-1007	1	Reducer Bushing, 1/2" MPT x 1/8" FPT Brass
24	292-1001	3	Fitting, Tee, 1/2" FPT x 1/2" FPT x 1/2" FPT, Brass
25	292-3001	3	Nipple, 1/2" x 1 1/2" Lg, SS
26	292-1003	3	Fitting, Elbow, 1/2" FPT, SS
27	292-3008	1	Nipple, 1/2" x 6" Lg, SS
28	292-3003	2	Nipple, 1/2" x Close, SS
29	292-1004	1	Union, 1/2", SS
30	284-6148	1	Mixing Chamber, SS
N/S	284-6147	Opt.	Mixing Chamber, Polymer
31	292-1008	2	Pipe Plug, 1/8" MPT, SS
32	292-1002	1	Fitting, Tee, 1/2" FPT x 1/2" FPT, 1/2" FPT, SS
33	292-1012	1	Pipe Plug, 1/2" MPT, SS
34A	285-6147	1	Inlet Water Duct Weldment, L-R
34B	285-6127	1	Inlet Water Duct Weldment, R-L
35	292-3010	1	Nipple, 1/2" x 3" Lg, SS
36	392-3001	1	Nipple, 1/2" x 4 1/2" Lg, Brass
37	092-1068	1	Fitting, 1/2" Comp x 1/2" MPT, 90° Elbow
38	292-3013	1	Fresh Water Supply Tube, 1/2" OD x 14 1/2" Lg, SS

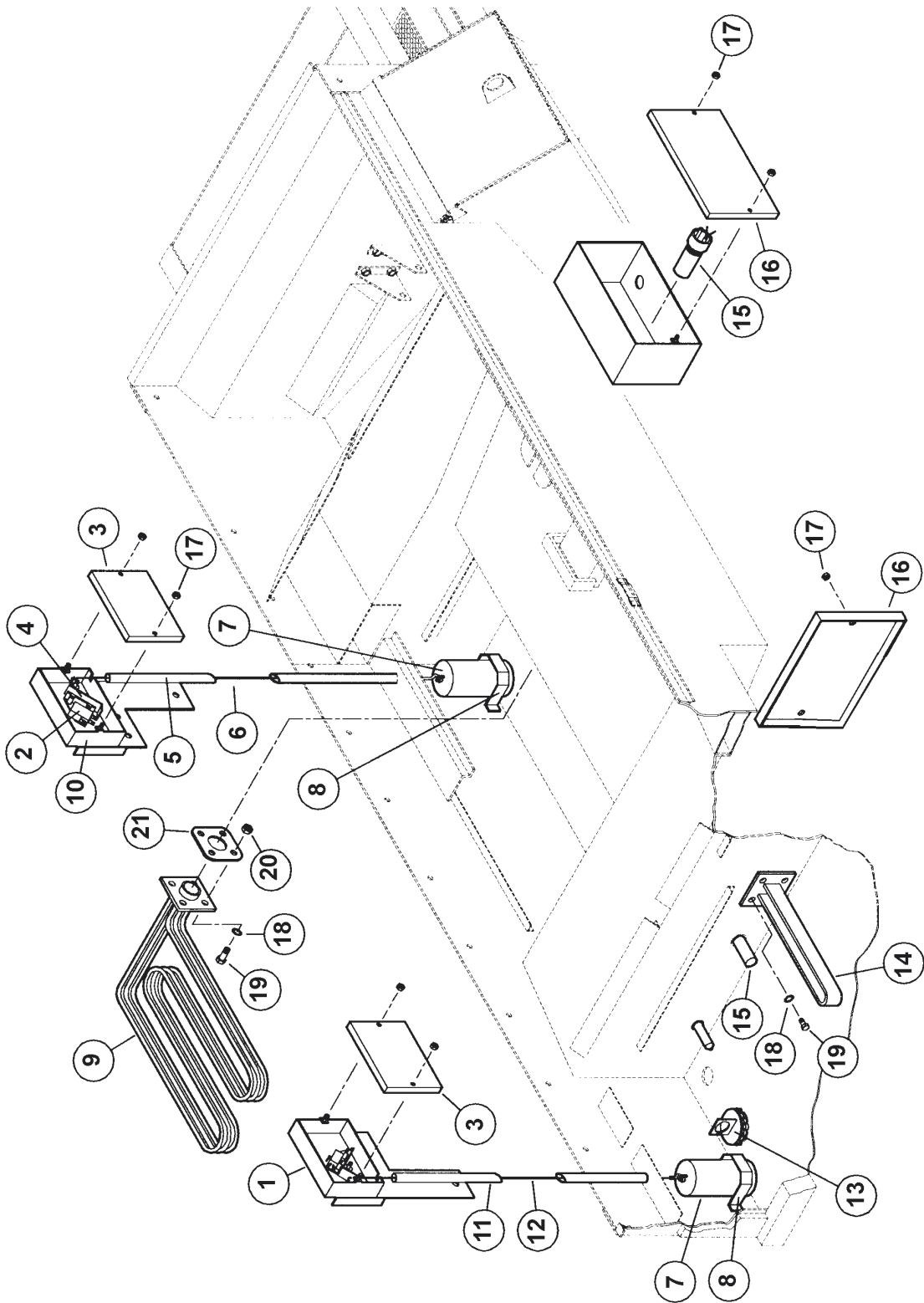
265-1100 L-R Water Inlet
Assembly ADC-66
265-1200 R-L Water Inlet

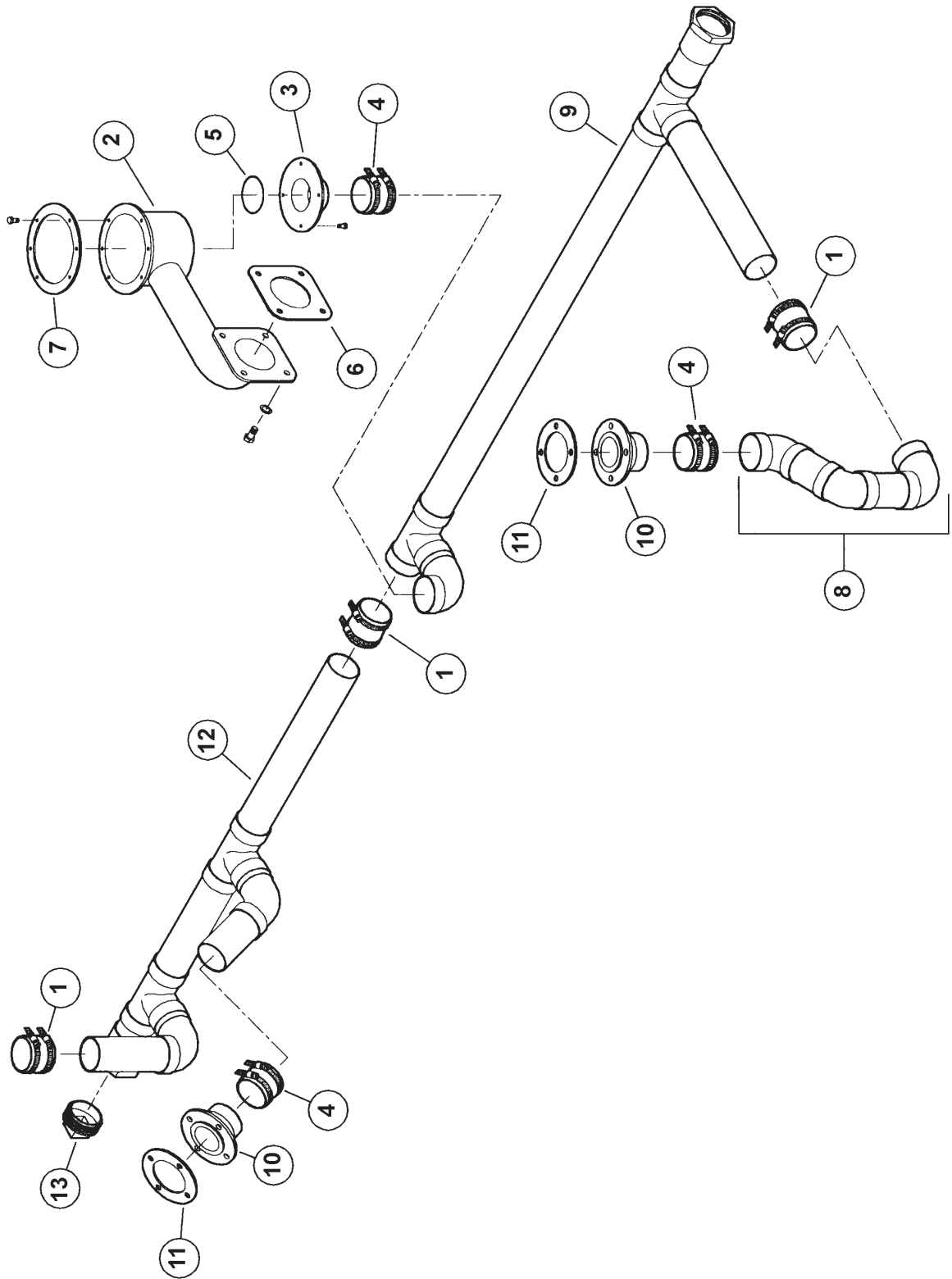
American Dish Service

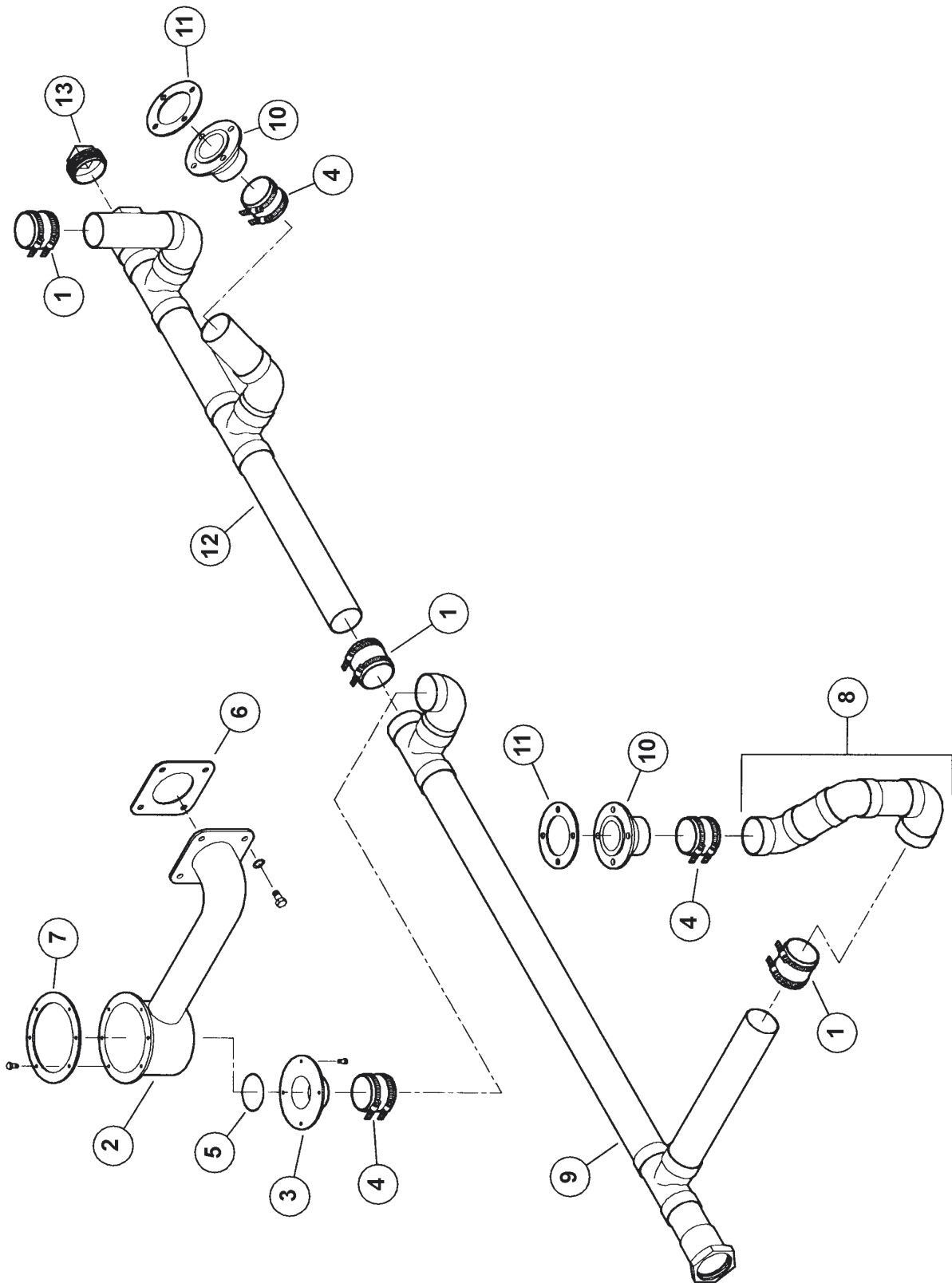
Assembly ADC-66











American Dish Service

*Manufacturer of low and high temperature
Commercial Dishwashers and Glasswashers*

900 Blake Street
Edwardsville, Kansas 66111
Ph:(913) 422-3700
Fax:(913) 422-6630

Free Manuals Download Website

<http://myh66.com>

<http://usermanuals.us>

<http://www.somanuals.com>

<http://www.4manuals.cc>

<http://www.manual-lib.com>

<http://www.404manual.com>

<http://www.luxmanual.com>

<http://aubethermostatmanual.com>

Golf course search by state

<http://golfingnear.com>

Email search by domain

<http://emailbydomain.com>

Auto manuals search

<http://auto.somanuals.com>

TV manuals search

<http://tv.somanuals.com>