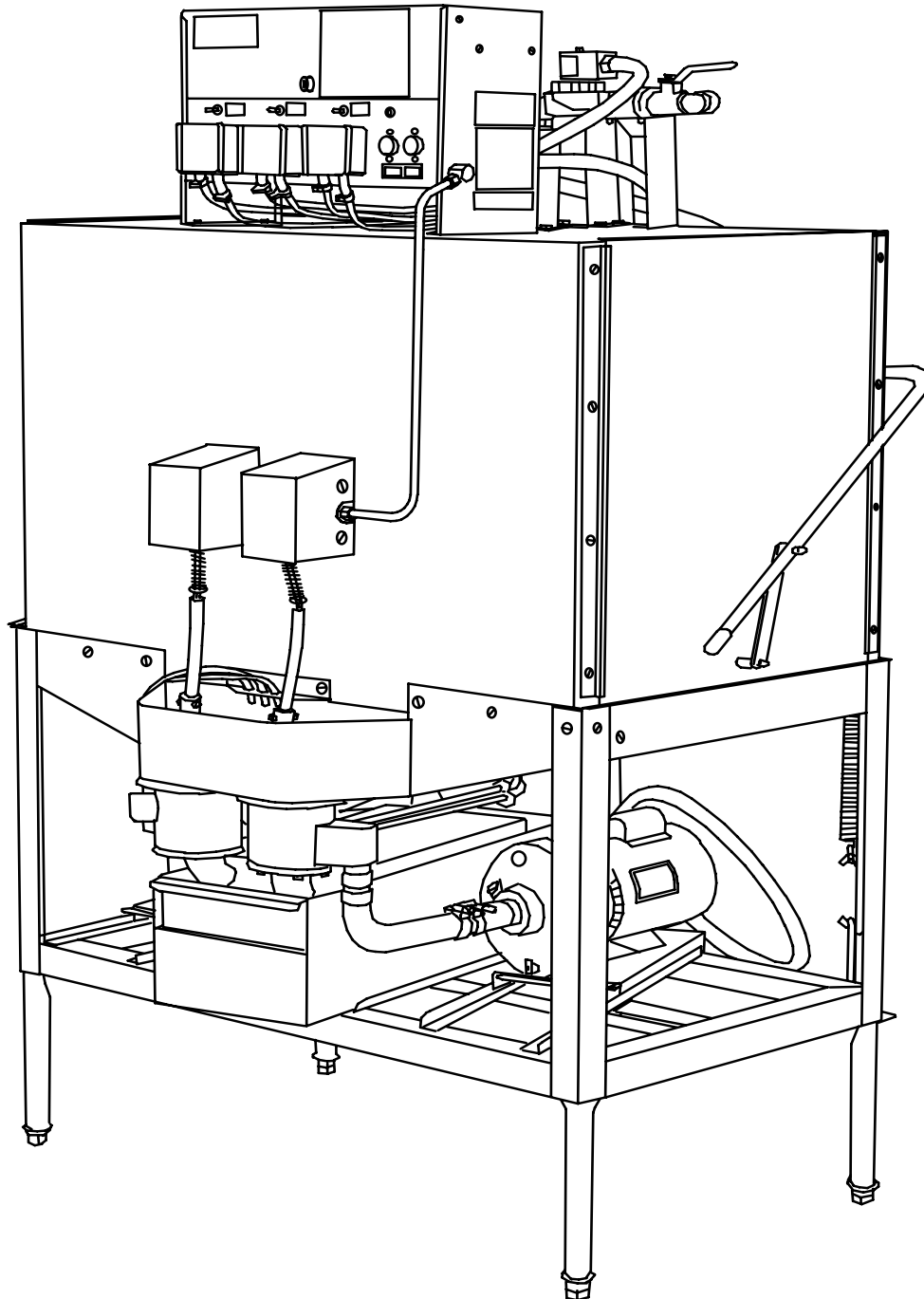


EFFECTIVE: APRIL 2008

American Dish Service

ADS LOW TEMPERATURE DISHWASHER

MODEL: 5-AG-S



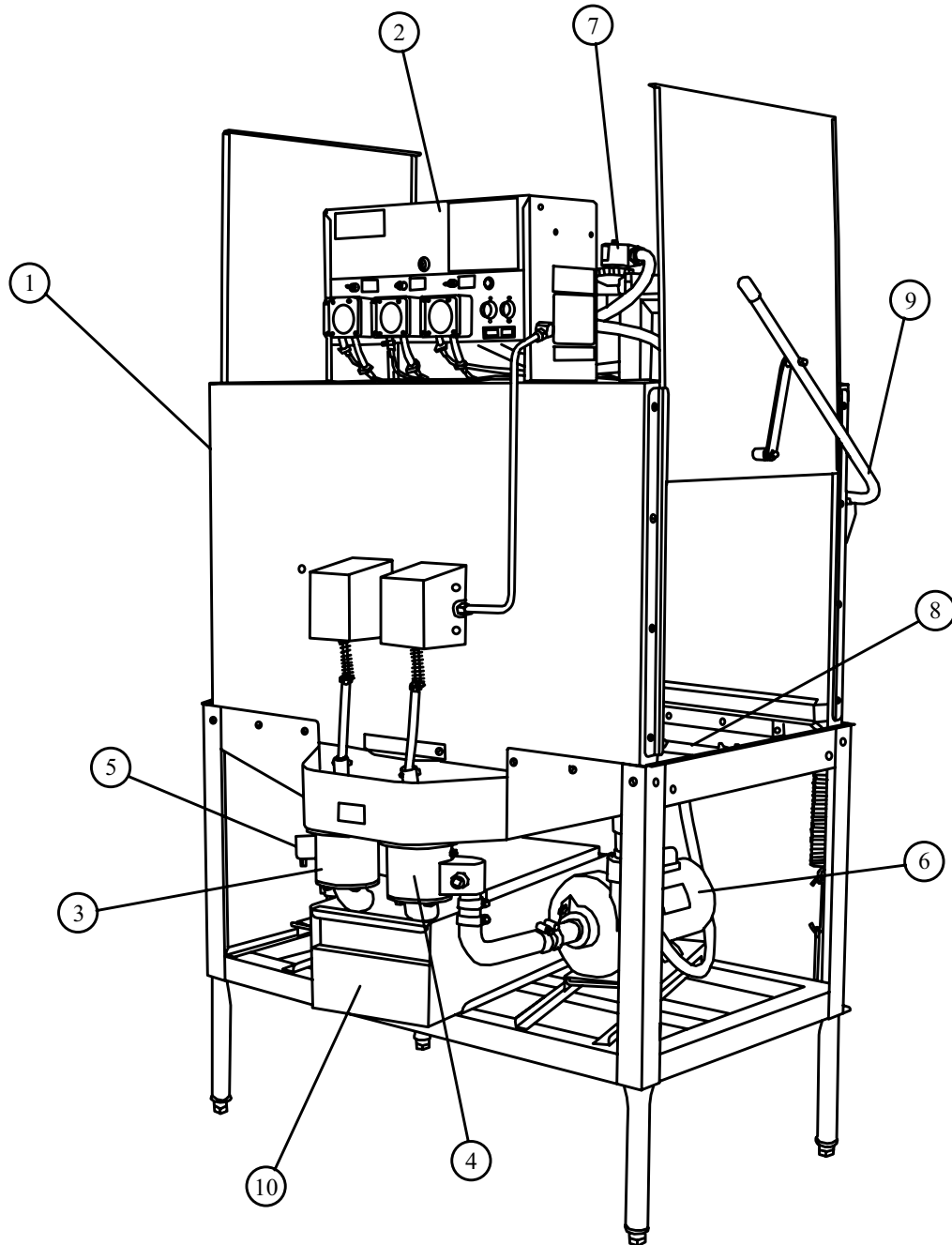
PARTS MANUAL

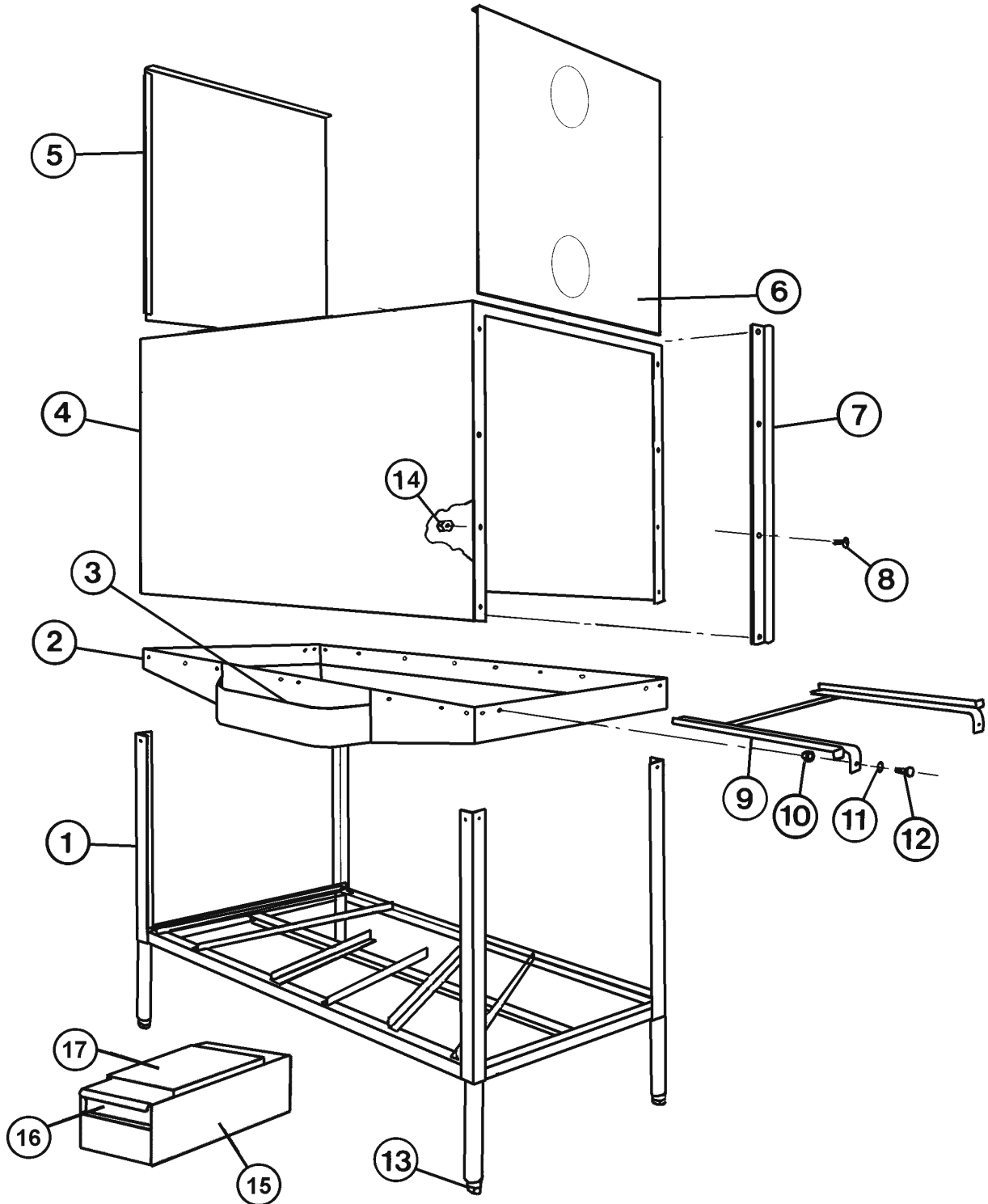
900 Blake Street
Edwardsville, Kansas 66111
(913)422-3700

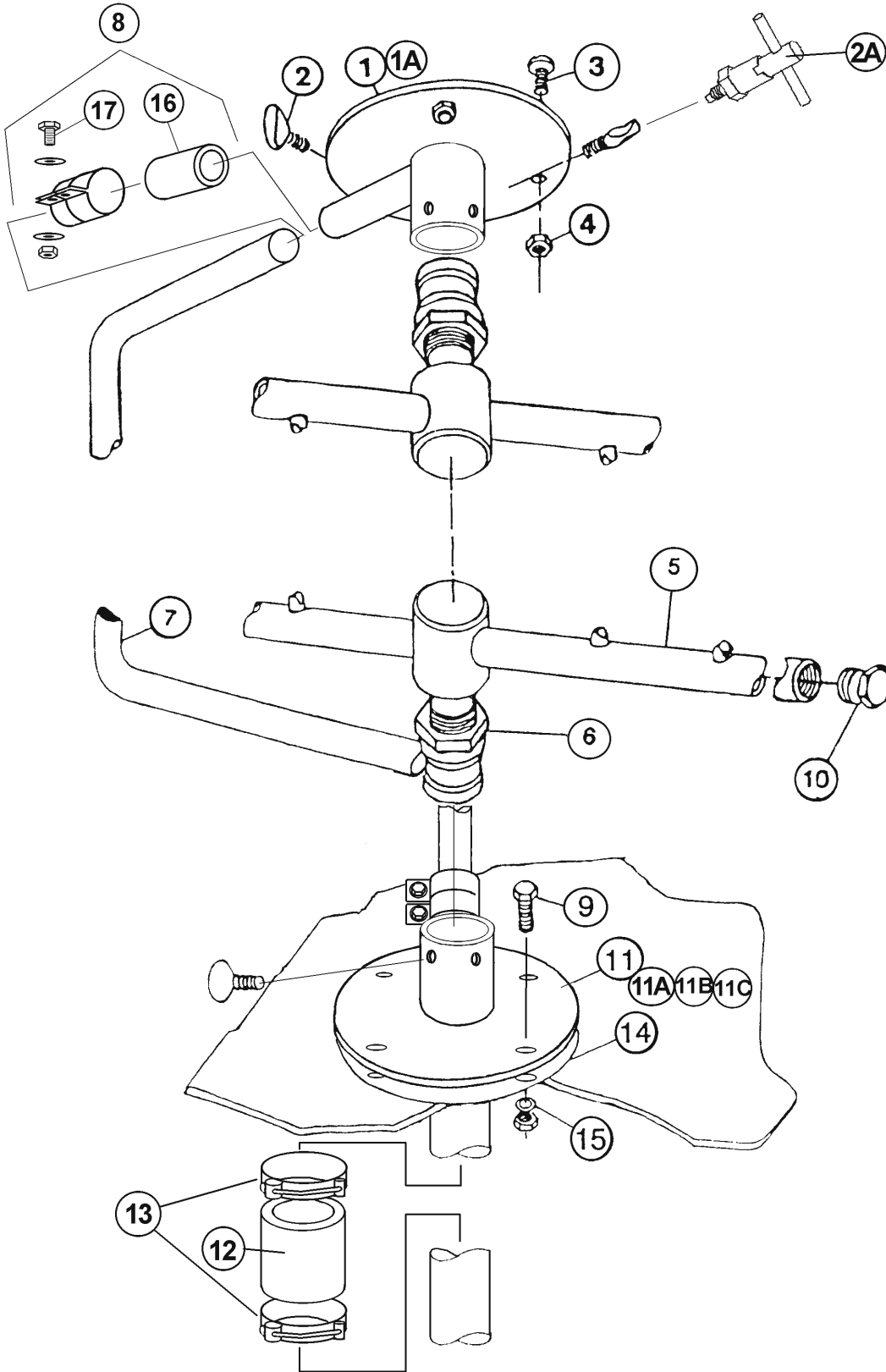
© 4/08

028-0090
Model: 5-AG-S
DISHMACHINE

American Dish Service





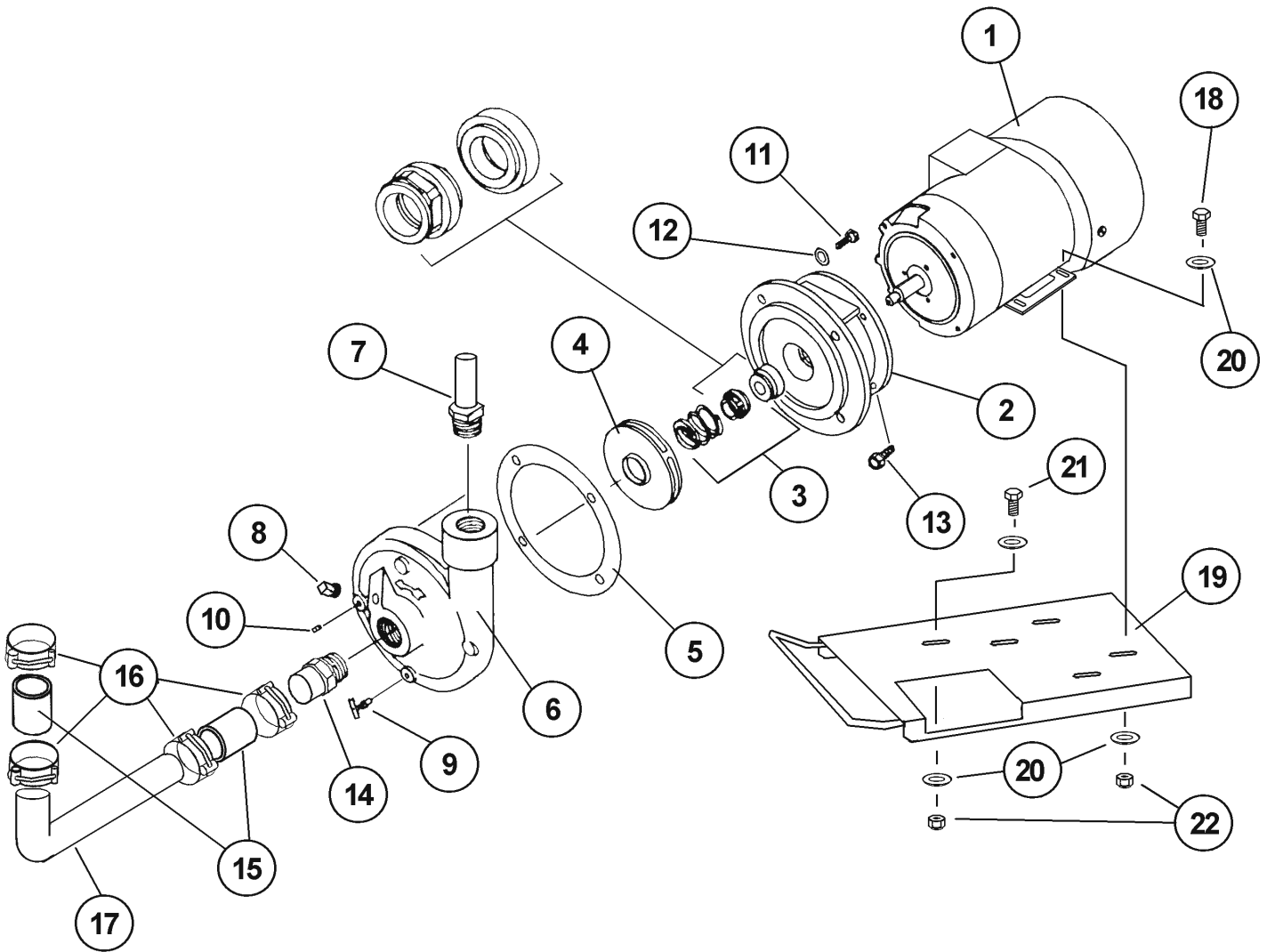


062-0800

Spray System Assembly
5-AG-S

American Dish Service

Ref. No.	Part No.	No. Req.	Description
1	085-6628	2	Upper Spray Base, SS, Thumbscrew Type
1A	085-6626	Opt.	Upper Spray Base, SS, Bayonet Type
2	098-1583	12	Thumb Screws 5/16-18 x 5/8" SS
2A	099-1028	Opt.	Bayonet Fitting
3	098-1426	8	Bolt, 1/4-20 x 3/4" HH SS
4	098-2507	16	Locknut, 1/4-20 SS
5	081-6214	4	Spray Arm Assembly
6	081-6210	14	Spray Arm Bearing Assembly, Cleanable
7	087-6229	2	Upper Arm Supply Tube (Manifold)
8	081-6501	4	Clamp Assembly, Inside Manifold (Incl. Bolts & Nuts)
9	098-1426	8	Bolt, 1/4-20 x 3/4" HH SS
10	084-6211	8	Spray Arm End Plug, SS
11	085-6633	1	Lower Spray Base, SS, Thumbscrew Type, RH
11A	085-6632	1	Lower Spray Base, SS, Bayonet Type, LH
11B	085-6631	Opt.	Lower Spray Base, SS, Bayonet Type, RH
11C	085-6630	Opt.	Lower Spray Base, SS Bayonet Type, LH
12	093-1040	2	Rubber Sleeve, Discharge Tube
13	098-9037	4	Clamp, Discharge Tube sleeve
14	089-6201	2	Gasket, Spray Base
15	098-2404	8	Washer, 1/4", SS
16	093-1041	4	Plastic Sleeve, Inside Manifold Tube
17	098-1426	8	Bolt, 1/4-20 x 3/4" HH SS

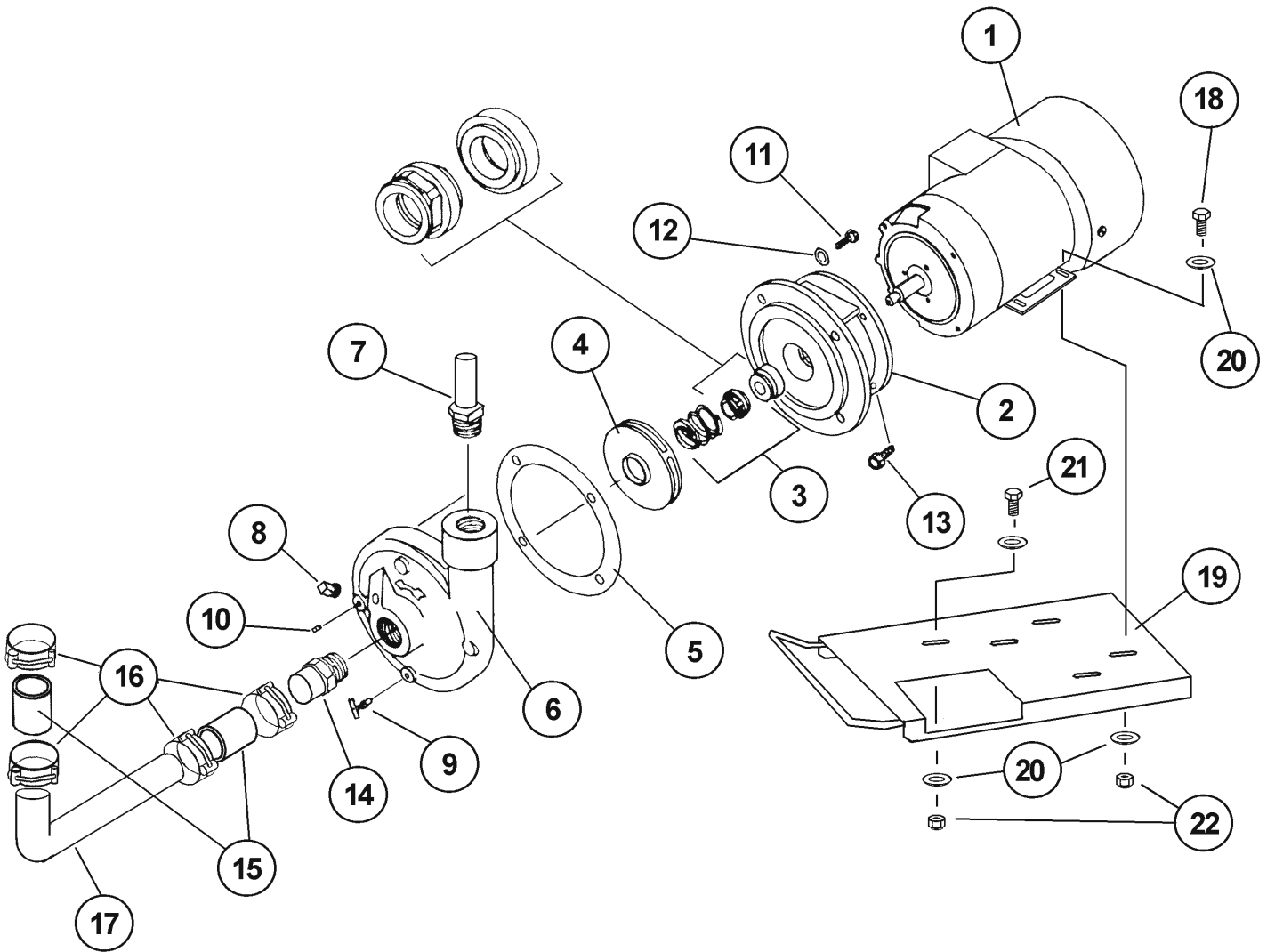


063-2100

Recirculating Pump Assembly LH 5-AG-S

American Dish Service

Ref. No.	Part No.	No. Req.	Description
1	091-1001	1	Motor, 1 ½ HP
2	082-6301	1	Rear Housing
3	092-2001	1	Seal Assembly
4	082-6303	1	Impeller, 5-vane
5	089-6303	1	Gasket
6	082-6302	1	Front Housing (Pump Cover)
7	085-6323	1	Discharge Pipe Weldment, 5-AG-S
8	092-1144	1	Pipe Plug, 3/8", SS
9	092-1002	1	Petcock 1/8"
10	092-1145	1	Pipe Plug, 1/8" SS
11	098-1507	2	Bolt, HH, SS, 5/16-18 x 7/8"
N/S	098-1510	2	Bolt, 5/16-18 x 1 ¼", HH, SS
12	098-2503	4	Washer, Copper 5/16"
13	098-1607	4	Bolt, 3/8-16 x 7/8" HH SS
14	085-6321	1	Pump Pipe, Suction
15	093-1039	2	Rubber Sleeve, Suction Tube Kit
16	098-9038	4	Clamp, Suction Tube Sleeve
17	085-6322	1	Suction Tube, 5-AG-S
18	098-1426	2	Bolt, ¼-20 x ¾", HH, SS
19	085-6408	1	Motor Plate
20	098-2404	6	Washer, ¼", SS
21	098-1434	1	Bolt, ¼-20 x 2", HH, SS
22	098-2507	3	Locknut, ¼-20, SS
Rep.	088-1012		Pump Assembly Through Impeller (Needs Gasket 089-6303)

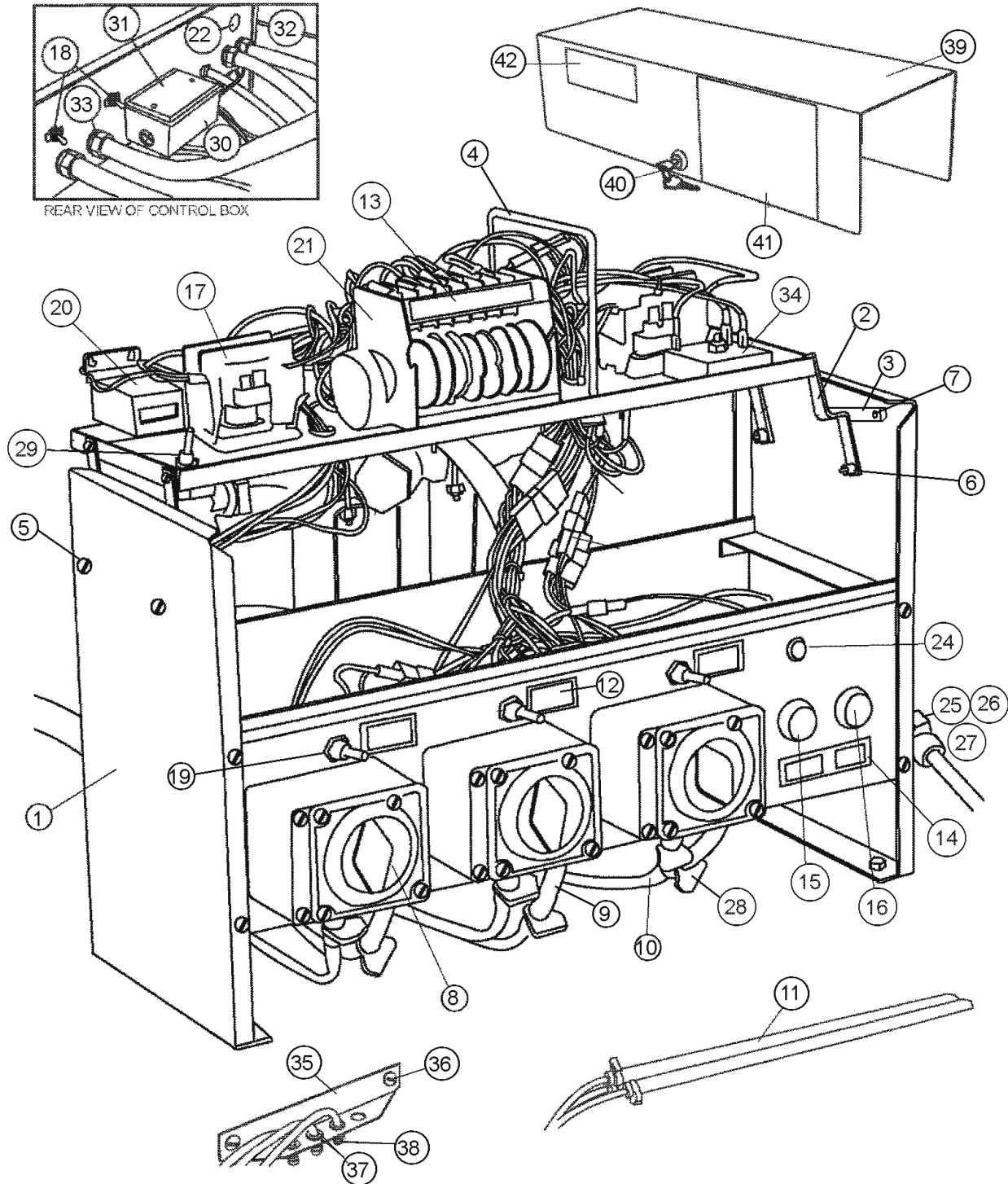


063-2400

Recirculating Pump Assembly
RH 5-AG-S

American Dish Service

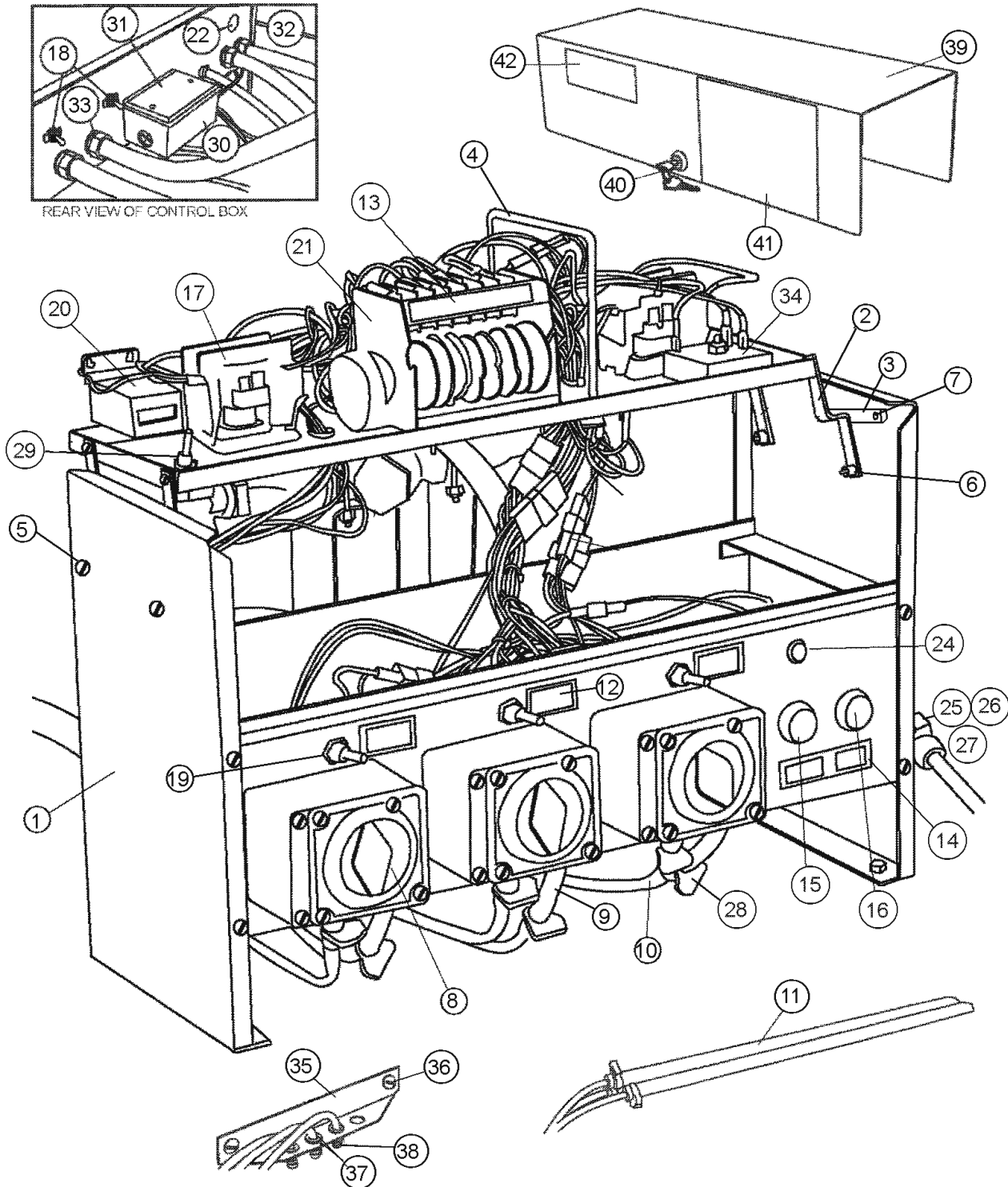
Ref. No.	Part No.	No. Req.	Description
1	091-1001	1	Motor, 1 ½ HP
2	082-6301	1	Rear Housing
3	092-2001	1	Seal Assembly
4	082-6303	1	Impeller, 5-vane
5	089-6303	1	Gasket
6	082-6302	1	Front Housing (Pump Cover)
7	085-6323	1	Discharge Pipe Weldment, 5-AG-S
8	092-1144	1	Pipe Plug, 3/8", SS
9	092-1002	1	Petcock 1/8"
10	092-1145	1	Pipe Plug, 1/8", SS
11	098-1507	2	Bolt, HH, SS, 5/16-18 x 7/8"
N/S	098-1510	2	Bolt, 5/16-18 x 1 ¼", HH, SS
12	098-2503	4	Washer, Copper 5/16"
13	098-1607	4	Bolt, 3/8-16 x 7/8" HH SS
14	085-6321	1	Pump Pipe, Suction
15	093-1039	2	Rubber Sleeve, Suction Tube Kit
16	098-9038	4	Clamp, Suction Tube Sleeve
17	085-6322	1	Suction Tube, 5-AG-S
18	098-1426	2	Bolt, ¼-20 x ¾", HH, SS
19	085-6408	1	Motor Plate
20	098-2404	6	Washer, ¼", SS
21	098-1434	1	Bolt, ¼-20 x 2", HH, SS
22	098-2507	3	Locknut, ¼-20, SS
Rep.	088-1012		Pump Assembly Through Impeller (Needs Gasket 089-6303)



063-0800
Control System Assembly
5-AG-S

American Dish Service

Ref. No.	Part No.	No. Req.	Description
1	085-6202	1	Control Box Weldment
2	086-6678	4	Control Box Hinge
3	086-6676	1	Safety Latch
4	086-6317	1	Shelf Handle
5	098-1204	13	Screw, 8-32 x 1/2"
6	098-2201	9	Locknut, 8-32
7	098-2404	1	Washer
8	064-0010	3	Chemical Pump Assembly
9	083-6404	1	Chemical Discharge Tube, Red 5'
9	083-6405	1	Chemical Discharge Tube, Green 5'
9	083-6406	1	Chemical Discharge Tube, Blue 5'
10	083-6408	1	Chemical Suction Tube, Red 8'
10	083-6409	1	Chemical Suction Tube, Green 8'
10	083-6410	1	Chemical Suction Tube, Blue 8'
11	083-6407	3	Tube Stiffener
12	089-9223	3	Decal, Prime
13	089-9226	1	Decal, Cam
14	089-9237	1	Decal, Start-Fill
15	091-3001	1	Switch, Black Fill
16	091-3002	1	Switch, Red Start
17	091-3083	2	Contactor
18	091-3008	2	Master Switch
19	091-3009	3	Prime Switch
20	091-3049	1	Counter, Electric
21	091-3051	1	Timer, 90 Sec. 7 Cam
22	091-4019	1	Plastic Plug
23	091-5028	1	Wiring Harness
24	091-7006	1	Red Light
25	092-1008	1	1/2" Close Nipple
26	092-1029	1	1/2" x 3/8" Reducer, Brass
27	092-1030	1	Fitting, 3/8" Comp x 1/2" FPT 90°

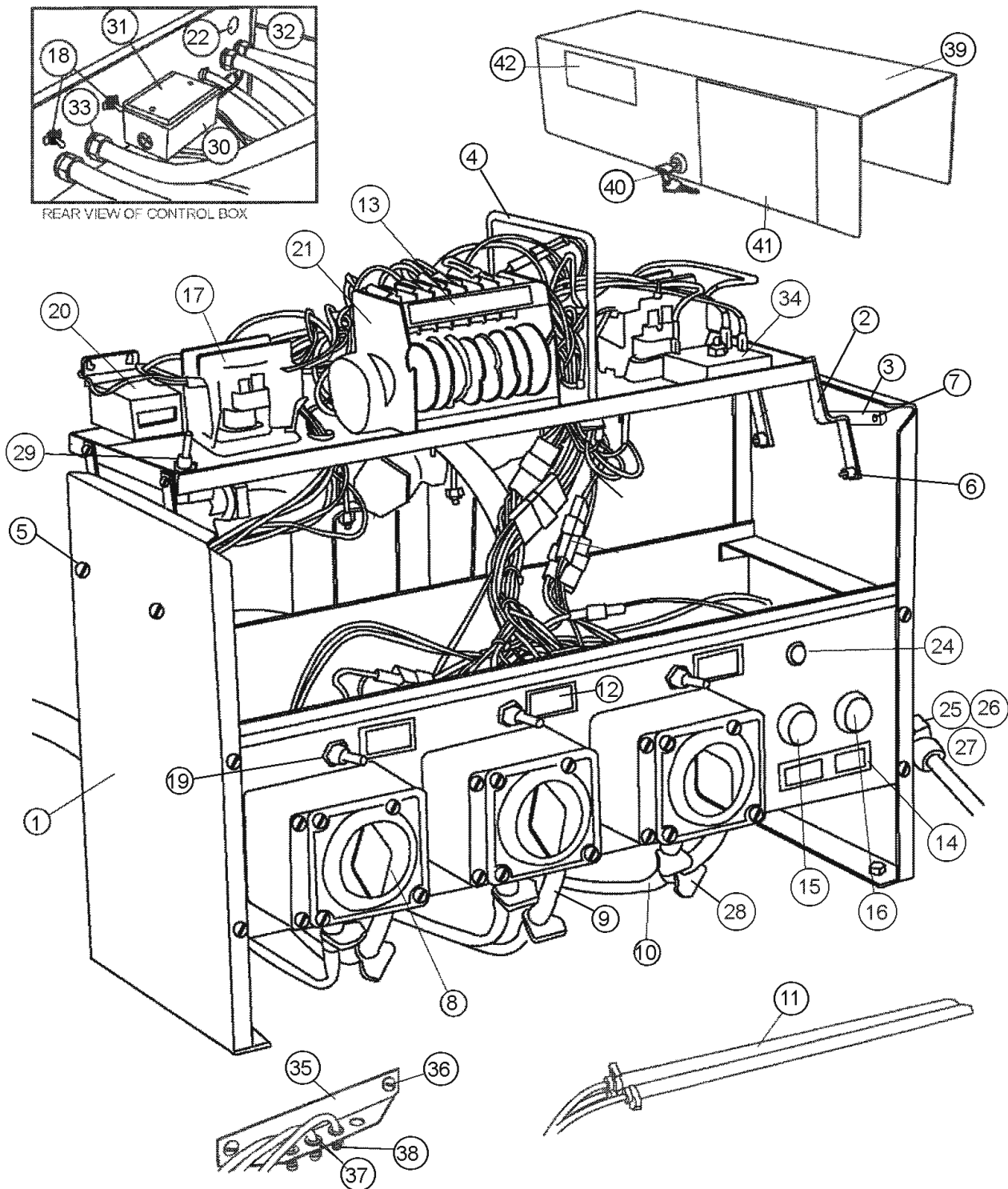


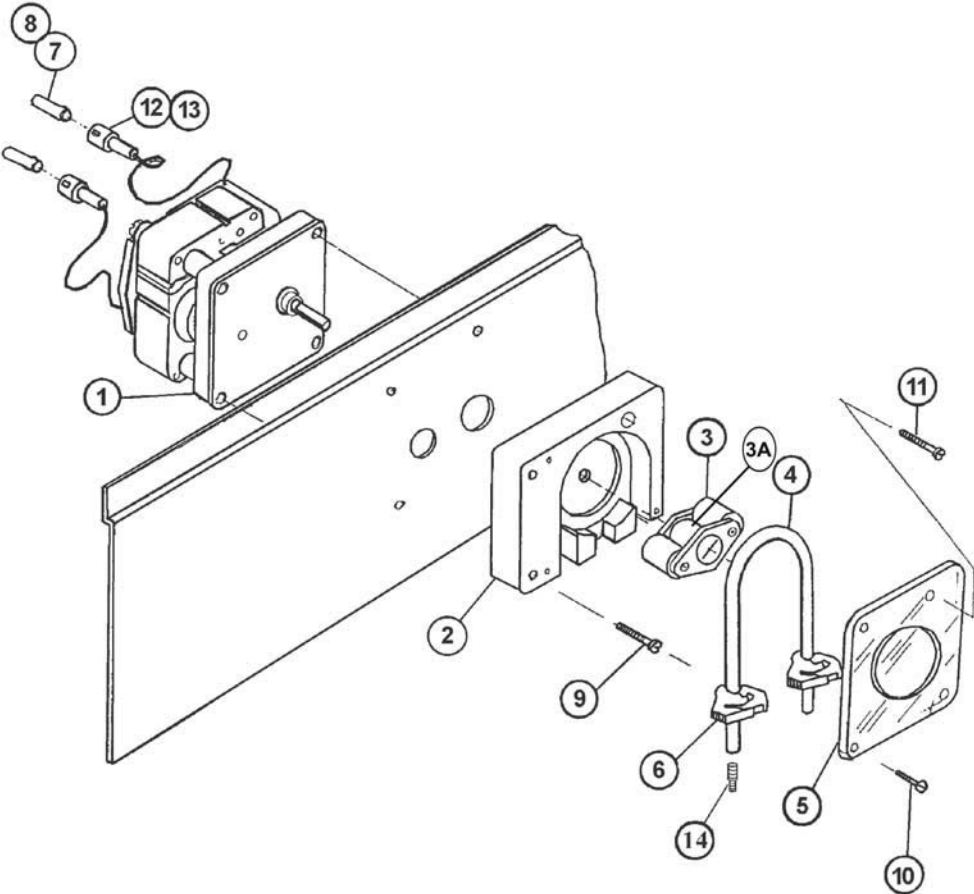
063-0800

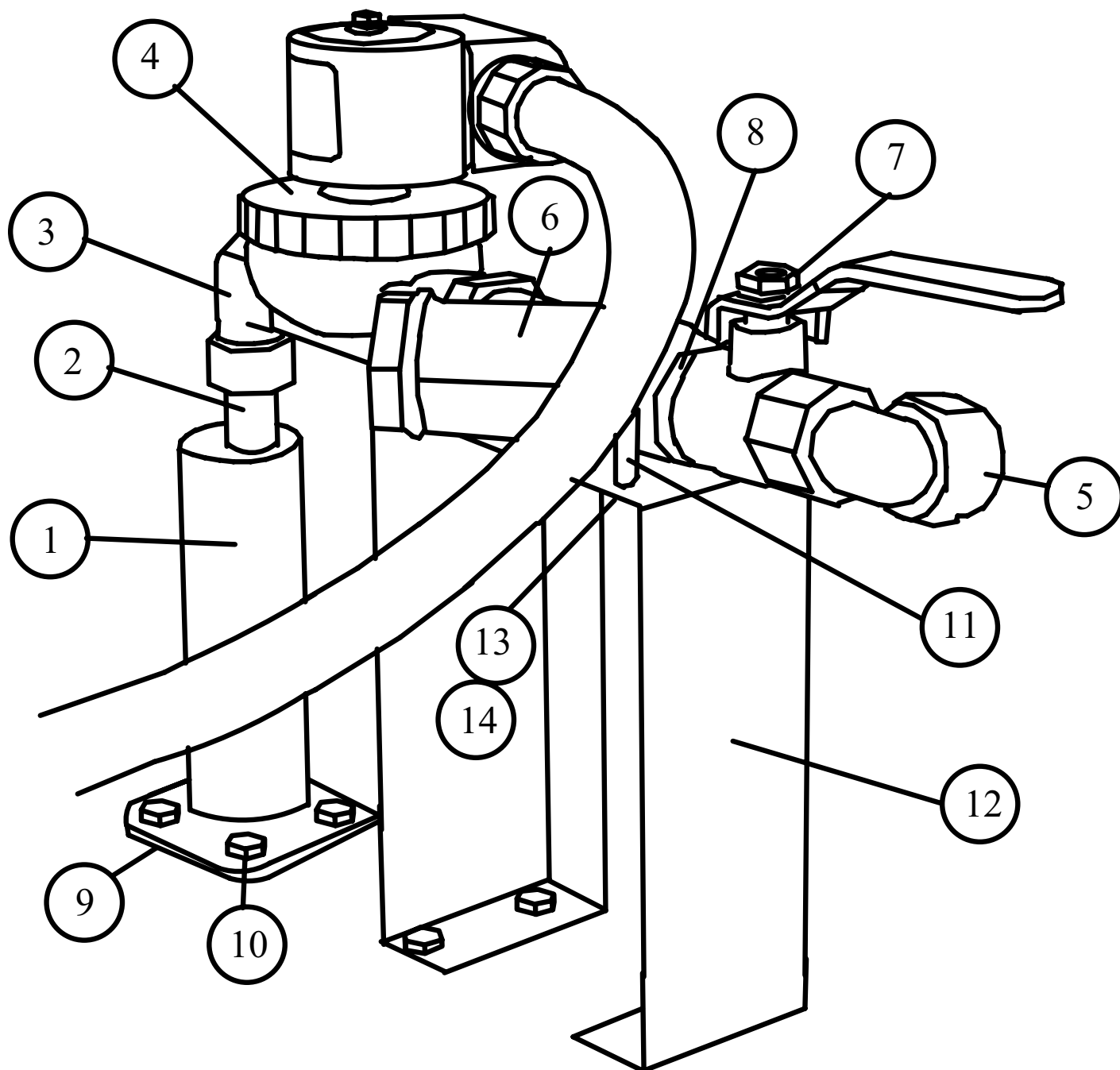
Control System Assembly
5-AG-S

American Dish Service

Ref. No.	Part No.	No. Req.	Description
28	098-1605	3	Tube Clamp
29	091-3060	1	Toggle Switch
30	091-4016	1	Junction Box
31	091-4004	1	Cover, Junction Box
32	091-5156	1	Conduit, 1/2", 240"
33	091-4141	5	Conduit, ST. 1/2", Fitting
34	091-3059	1	Relay, Auto Start
35	086-6419	1	Chemical Discharge Bracket
36	098-1414	2	Screw, 1/4-20 x 1/2", TH, SS
37	091-4015	3	Chemical Tube Fitting, Grommet
38	093-1043	3	Hose Barb 3/16"
39	087-6434	1	Control Box Cover
40	096-1002	1	Control Box Lock and Key
41	089-9204	1	Outside Sump Cleaning Instruction
42	089-9213	1	NSF Sticker
OPT.	091-3003	1	Relay, Instant Start
N/S	098-2507	5	Locknut, 1/4"
N/S	091-3011	1	Socket, Relay
N/S	091-4002	1	Grommet
N/S	089-0001	1	Nameplate
N/S	089-0050	1	NSF UL Plate
N/S	089-9011	6	Pop Rivets
N/S	089-9202	1	Wiring Diagram
N/S	089-9210	1	Decal, Connect to Power Supply
N/S	089-9227	1	Adjust Cam Decal
N/S	089-9257	1	Decal, Delime Caution
N/S	091-4142	3	Conduit, Elbow, 1/2"
N/S	091-4017	1	Grommet, Large
N/S	091-5213	2	Red Butt Connector
N/S	091-5220	6	Cable Tie, Medium
N/S	091-5223	1	Molex Housing, Male
N/S	091-5224	1	Male Molex, Pin
N/S	091-5226	8	Tabs, Master Switch





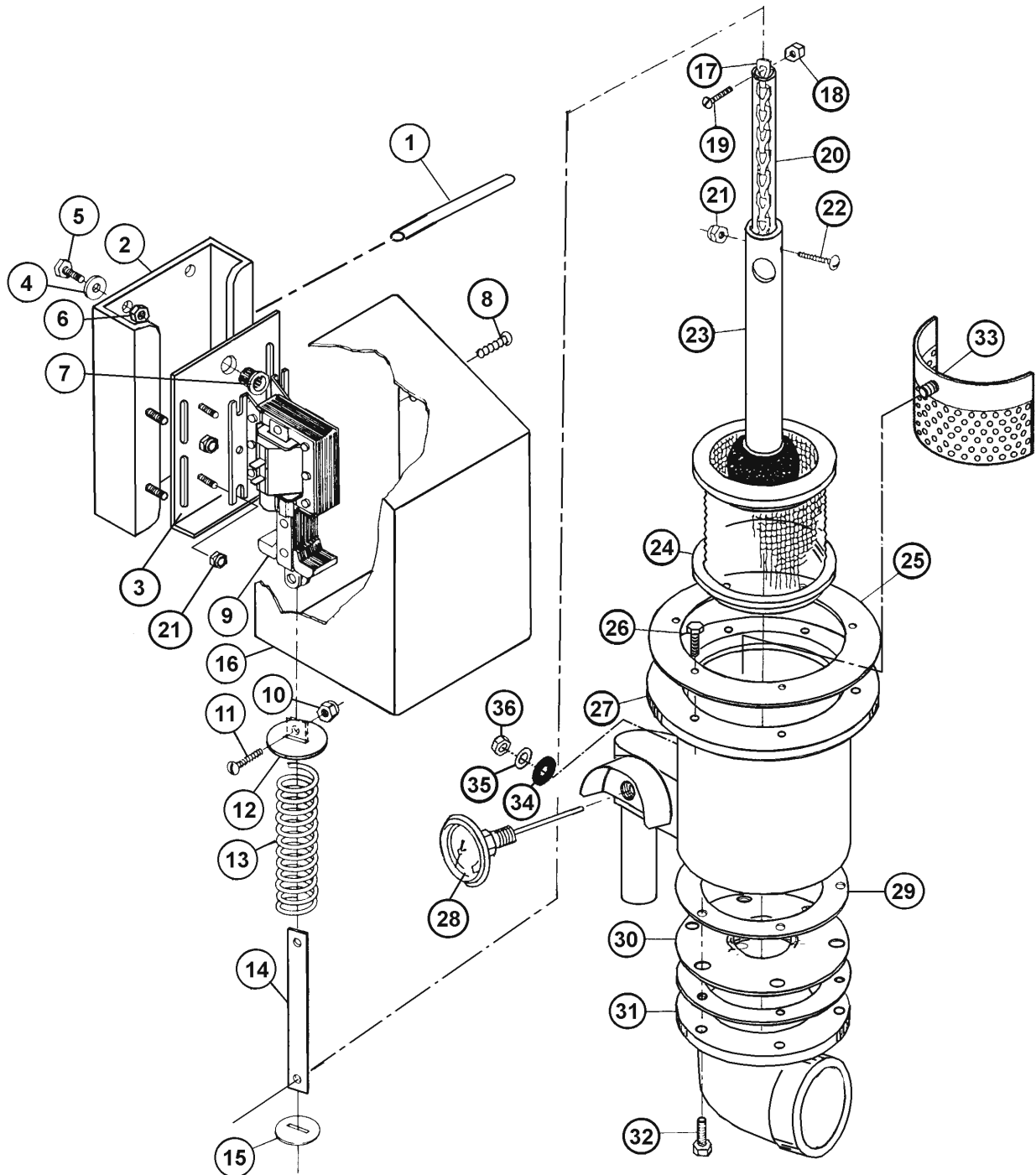


065-2100

Fresh Water Plumbing Assembly
5-AG-S

American Dish Service

Ref. No.	Part No.	No. Req.	Description
1	385-6121	1	Air Gap Weldment, 5-AG-S
2	092-3119	1	Fresh Water Supply Tube, 5/8" OD x 2", 5-AG-S
3	092-1147	1	Fitting, 3/4" MPT x 5/8" Comp. 90° Elbow
4	089-7001	1	Solenoid Valve, 3/4"
5	092-1074	2	Fitting, 3/4" Street Elbow, 90°
6	092-9006	1	Line Strainer, 3/4"
7	092-5055	1	Shut-Off Valve, 3/4"
8	092-1073	2	Nipple, 3/4" Close
9	389-6603	1	Gasket, Air Gap
10	098-1426	4	Bolt, 1/4-20 x 3/4", HH, SS
11	098-9027	1	U-Bolt, 1/4-20, SS
12	086-6647	1	Bracket, Plumbing, 5-AG-S
13	098-2507	6	Locknut, 1/4-20, SS
14	098-2404	8	Washer, 1/4", SS
N/S	092-9008	Rep.	Screen (Replacement), 3/4"
N/S	385-6124	1	Air Gap Flanged Outlet Elbow Weldment, 5-AG-S
Rep	092-5020	0	Solenoid Valve Repair Kit (Replacement), 3/4"
Rep	092-5026	0	Solenoid Valve Body (Replacement), 3/4"
Rep	092-5017	0	Solenoid Valve Coil (Replacement)

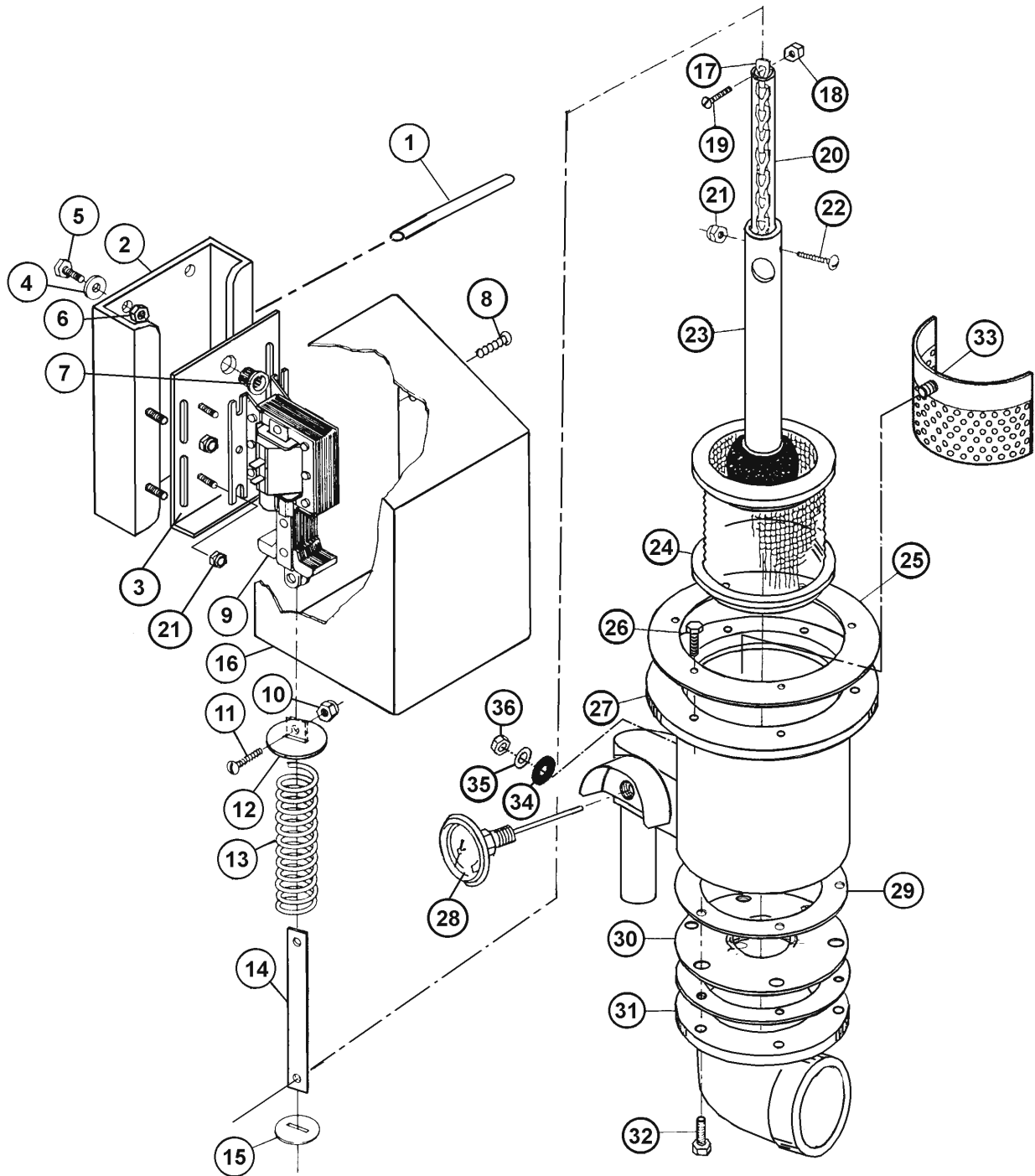


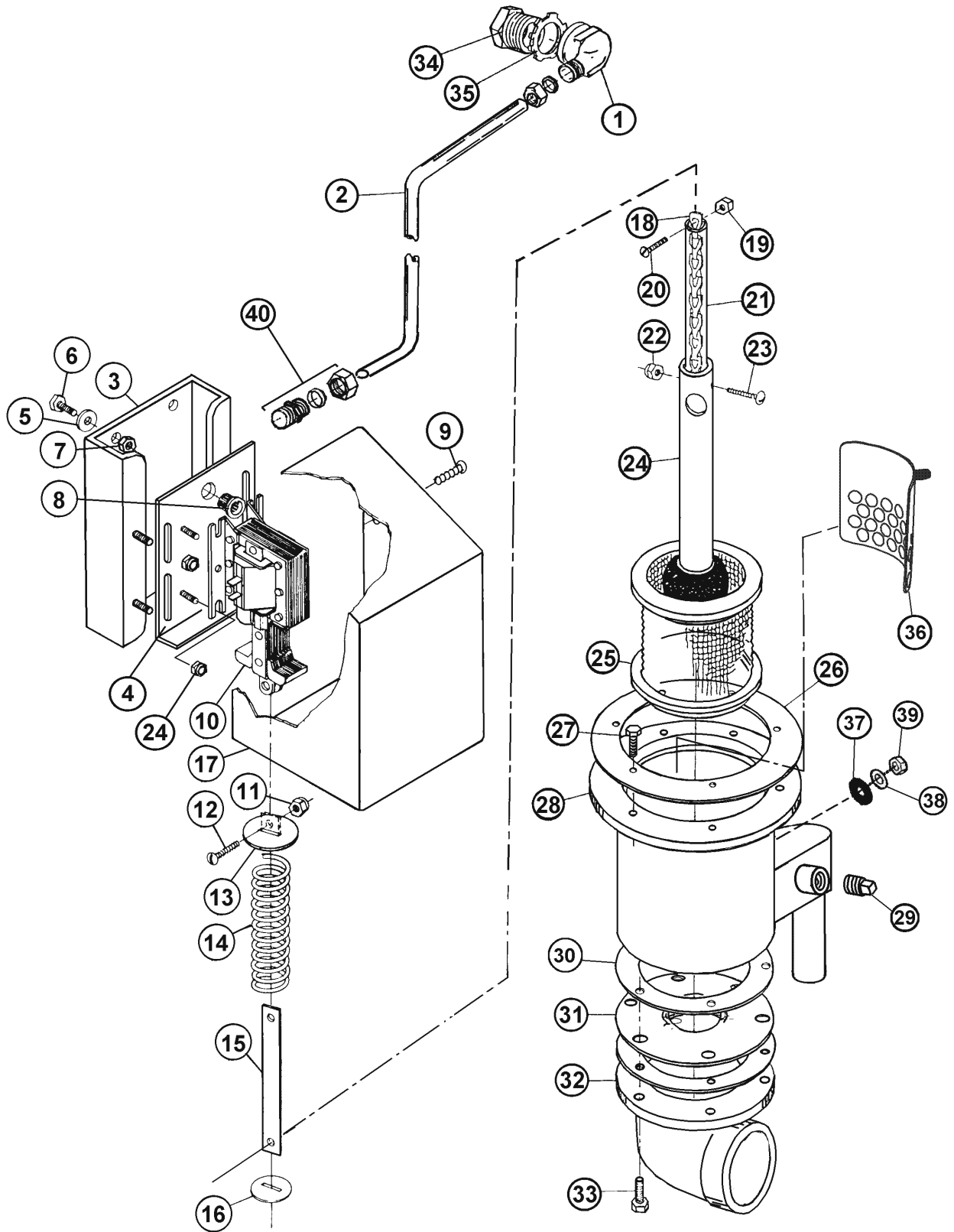
066-1700

Drain System Assembly LH
5-AG-S

American Dish Service

Ref. No.	Part No.	No. Req.	Description
1	084-6607	1	Conduit, 3/8" Dia. X 5"
2	085-6620	1	Solenoid Base, 5-AG-S, LH
3	085-6622	1	Front Plate, Solenoid Base
4	098-2404	10	Washer, 1/4", SS
5	098-1423	4	Bolt, HH, SS, 1/4-20 x 1/2"
6	098-2507	4	Locknut, SS, 1/4-20
7	091-4005	1	Grommet, Plastic
8	098-1413	2	Bolt, 1/4-20 x 3/8", TH, SS
9	091-2001	1	Solenoid, Drain
10	098-2201	1	Locknut, 8-32, SS, Hex
11	098-1205	1	Screw, RH, SS, 8-32 x 5/8"
12	086-6607	1	1-1/16 Slotted Washer (Large)
13	098-3001	1	Spring, Drain Solenoid, Outside Sump
14	086-6605	1	Link, Drain Solenoid
15	086-6606	1	1-5/16 Slotted Washer (Small)
16	085-6612	1	Cover, Drain Solenoid
17	089-6610	1	Chain, Make From 098-9001
18	098-2201	1	Locknut, 8-32, SS
19	098-1205	1	Screw, RH, SS, 8-32 x 5/8
20	084-6622	1	Chain Cover, Make From 093-1012
21	098-2301	5	Locknut, SS, 10-32
22	098-1311	1	Screw, 10-32 x 1 3/8", RH, SS
23	081-6601	1	Drain Plug Assembly, Outside Sump
Rep.	084-6608		Drain Tube (Replacement Part)
Rep.	083-6601		Drain Ball (Replacement Part), 1 1/2"
24	085-6602	1	Screen Sump
24	089-6601	1	Sump Gasket
26	098-1423	6	Bolt, 1/4-20 x 1/2", HH, SS
27	085-6204	1	Sump Assembly With Tail Piece
28	099-1001	1	Temperature Gauge
29	089-6602	2	Drain Elbow Gasket
30	086-6601	1	Drain Seat, 1 1/2"
31	085-6199	1	Drain Elbow Weldment
32	098-1508	6	Bolt, 5/16-18 x 5/8", HH, SS
33	085-6160	1	Drain Screen, Secondary (To Protect The Pump)





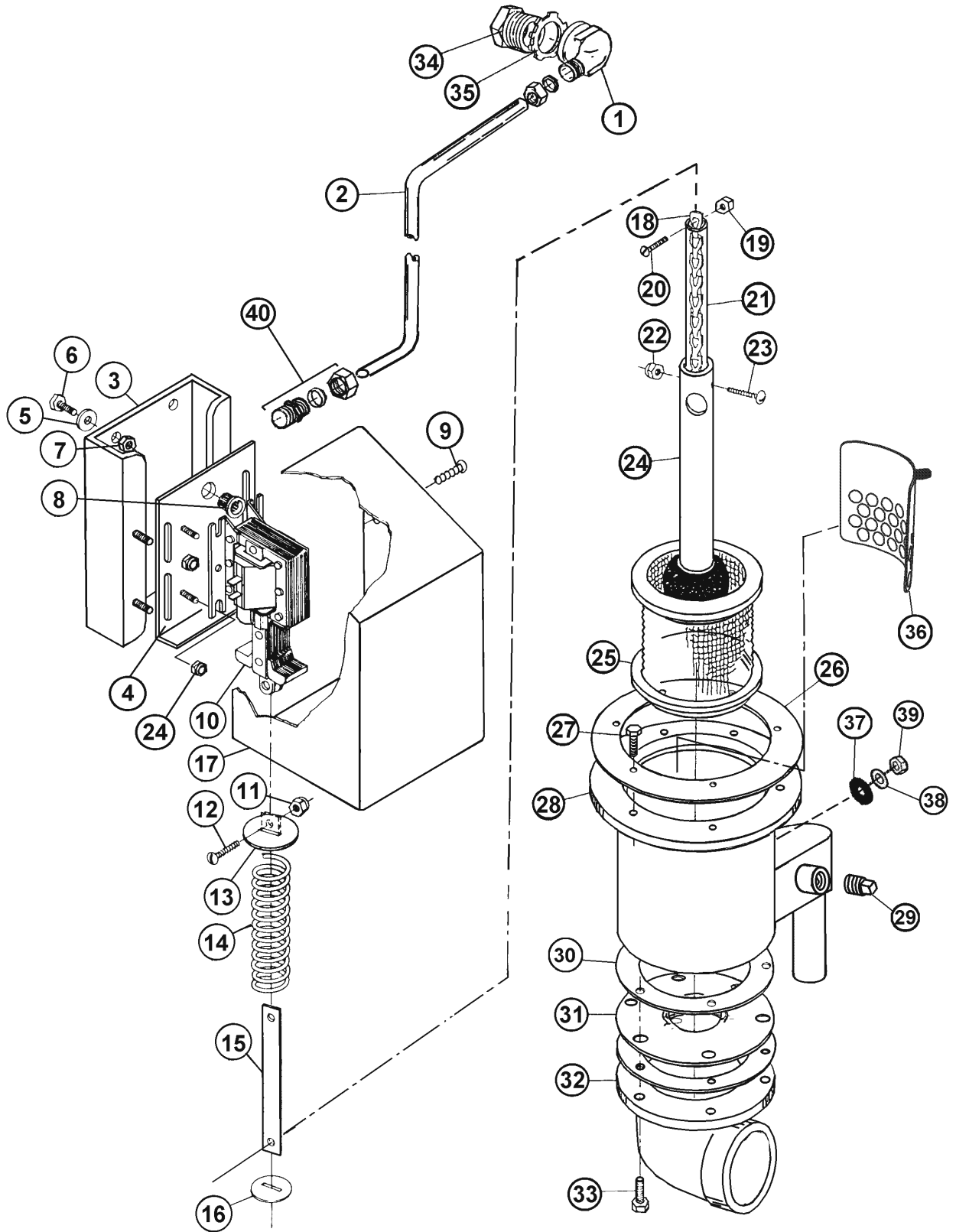
066-1800

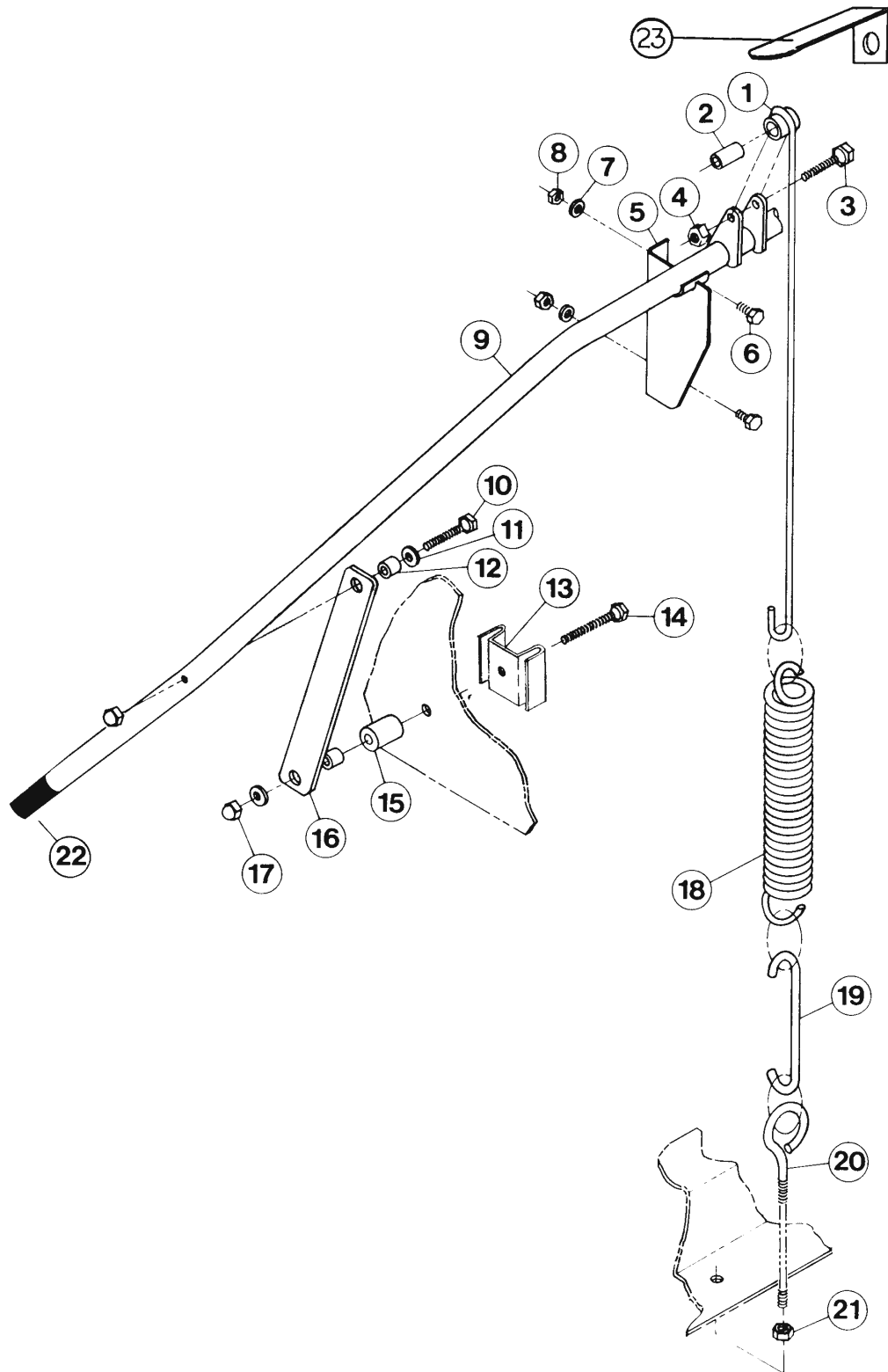
Drain System Assembly RH

5-AG-S

American Dish Service

Ref. No.	Part No.	No. Req.	Description
1	092-1030	1	Conduit Fitting, 3/8" Comp x 1/2" FPT, 90° Elbow
2	086-6674	1	Conduit, 3/8" Dia. x 25"
3	085-6621	1	Solenoid Base, 5-AG-S, RH
4	085-6622	1	Front Plate, Solenoid Base
5	098-2404	10	Washer, 1/4", SS
6	098-1423	4	Bolt, HH, SS, 1/4-20x 1/2"
7	098-2507	4	Locknut, SS, 1/4-20
8	091-4005	1	Grommet, Plastic
9	098-1413	2	Bolt, 1/4-20 x 3/8", TH, SS
10	091-2001	1	Solenoid, Drain
11	098-2201	1	Locknut, 8-32, SS
12	098-1205	1	Screw, RH, SS, 8-32 x 5/8"
13	086-6607	1	1-1/16" Slotted Washer (Large)
14	098-3001	1	Spring Drain Solenoid, Outside Sump
15	086-6605	1	Link, Drain Solenoid, Outside Sump
16	086-6606	1	1-5/16" Slotted Washer (Small)
17	085-6612	1	Solenoid Cover
18	089-6610	1	Chain, Make From 098-9001
19	098-2201	1	Locknut, 8-32, SS
20	098-1205	1	Screw, RH, SS, 8-32 x 5/8
21	084-6622	1	Chain Cover, Make From 093-1012
22	098-2301	5	Locknut, SS, 10-32
23	098-1311	1	Screw, RH, SS, 10-32 x 1 3/8
24	081-6601	1	Drain Plug Assembly
Rep.	084-6608		Drain Tube (Replacement Part)
Rep.	083-6601		Drain Ball, 1 1/2" (Replacement Part)
25	085-6602	1	Screen Sump
26	089-6601	1	Sump Gasket
27	098-1423	6	Bolt, HH, SS, 1/4-20 x 1/2"
28	085-6204	1	Sump Assembly With Tail Piece
29	292-1012	1	Pipe Plug, 1/2" MPT, SS
30	089-6602	2	Drain Elbow Gasket
31	086-6601	1	Drain Seat, 1 1/2"
32	085-6199	1	Drain Elbow Weldment
33	098-1508	6	Bolt, 5/16-18 x 5/8", HH, SS
34	092-1029	1	Reducer Bushing, 1/2" x 3/8"
35	091-4144	1	Conduit Locknut
36	085-6160	1	Drain Screen, Secondary (To Protect The Pump)





067-1300

Door Actuator Assembly
5-AG-S

American Dish Service

Ref. No.	Part No.	No. Req.	Description
1	085-6701	2	Spring Extension
2	098-4002	2	Bushing, Bronze
3	098-1510	2	Bolt, 5/16 x 1 1/4", HH, SS
4	098-2502	2	Nut, 5/16-18, HH, SS
5	085-6703	1	Arm Support Bracket, LH
N/S	085-6707	1	Arm Support Bracket, RH
6	098-1423	4	Bolt, 1/4-20 x 1/2", HH, SS
7	098-2404	4	Washer, 1/4", SS
8	098-2407	4	Locknut, 1/4-20, SS
9	085-6706	1	Door Operating Arm (Lever Arm), 5-AG-S
10	098-1431	2	Bolt, 1/4-20 x 1 3/8", HH, SS
11	098-2404	6	Washer, 1/4", SS
12	084-6703	4	Bushing (Dowel 3/8")
13	086-6701	2	Door Stop
14	098-1432	2	Bolt, 1/4-20 x 1 3/4", HH, SS
15	084-6702	2	Spacer
16	086-6702	2	Door Link
17	098-2405	4	Cap Locknut, 1/4-20, SS
18	098-3003	2	Door Spring
19	086-6703	2	Spring Extension, Secondary
20	098-1581	2	Eye Bolt, 5/16-18 x 6"
21	098-2502	2	Nut, 5/16-18, HH, SS
22	099-1018	2	Lever Arm End Cap
23	086-6623	1	Lever Arm Cut-Off Bracket, "L"
N/S	098-2503	2	Washer, Copper, 5/16"

American Dish Service

*Manufacturer of low and high temperature
Commercial Dishwashers and Glasswashers*

900 Blake Street
Edwardsville, Kansas 66111
Ph:(913) 422-3700
Fax:(913) 422-6630

Free Manuals Download Website

<http://myh66.com>

<http://usermanuals.us>

<http://www.somanuals.com>

<http://www.4manuals.cc>

<http://www.manual-lib.com>

<http://www.404manual.com>

<http://www.luxmanual.com>

<http://aubethermostatmanual.com>

Golf course search by state

<http://golfingnear.com>

Email search by domain

<http://emailbydomain.com>

Auto manuals search

<http://auto.somanuals.com>

TV manuals search

<http://tv.somanuals.com>