

Overview

The procedures outlined in this document apply to the 1200V-and 1200VG-Series of touch panels.

Wall Mount panels (NXDs) are contained within a metallic outer housing (back box). This back box is **not removed** when installing the NXD into a CB-TP12 Rough-In Box. The back box is **only** removed to gain access for the replacement of the Compact Flash component or upgrade to the VESA housing.

The CB-TP12 Rough-In Boxes are optional metallic boxes that are secured onto stud beams prior to the installation of a solid surface. Installation procedures and configurations can vary.

Specifications

CB-TP12 (FG031-10) Specifications	
Dimensions (HWD)	<ul style="list-style-type: none"> • 11.52" x 11.60" x 3.50" • 29.27 cm x 29.47 cm x 8.89 cm
Included Accessories	Rough-In Box Installation Kit (SA2001-02) (<i>one kit per CB</i>) <ul style="list-style-type: none"> • 4 Phillips pan-head (#4-40 x 0.375 Black) screws (80-0115) • 4 Phillips pan-head (#4-40 x 0.625 Black) screws (80-0118)
Certifications	<ul style="list-style-type: none"> • cTUVus Listed

WARNING: INSTALLER, LEAVE A GAP BETWEEN THE STUD AND ROUGH-IN BOX TO ACCOMMODATE THE DRYWALL/SHEETROCK.

This gap allows the installation of the drywall/sheetrock after the Rough-In Box has been installed.

Note: *The most important thing to remember when mounting this Rough-In Box is that the mounting tabs must be mounted flush against the outside of the sheetrock.*

Pre-Wall Installation of the CB-TP12 Rough-In Box

1. Fasten the CB-TP12 to a stud through the stud fastening holes, located on the inside of the Rough-In Box (FIG. 1), by using either nails or screws.
2. Remove any necessary wiring knockouts from the Rough-In Box (C in FIG. 2) where the necessary cables are threaded through for connection to the touch panel.
3. Thread the incoming RJ-45, Ethernet, and any other audio/video wiring through the knockouts.
4. Install the drywall/sheetrock before inserting the main NXD unit into the CB-TP12.

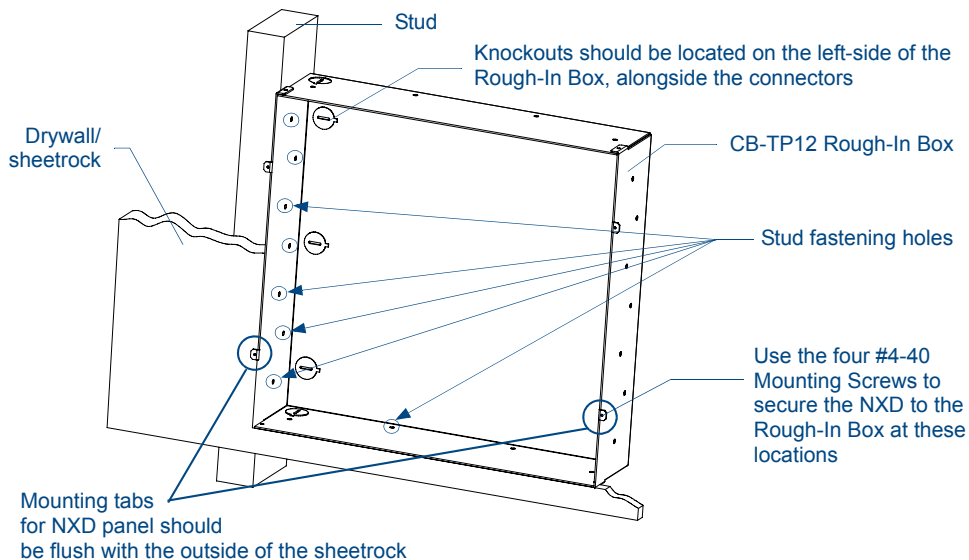


FIG. 1 Screw locations for Rough-In Box attachment in a pre-wall installation

Installing a 12" NXD panel within a Rough-In Box

The Rough-In Box must be mounted prior to continuing this section. Verify that all necessary cables have been threaded through the knockouts on the Rough-In Box and the connections have been tested prior to installation of the touch panel.

1. Remove the magnetic faceplate/bezel (A in FIG. 2) from the main NXD unit (B in FIG. 2) by gripping the faceplate and pulling with gentle outward force.
2. Verify the incoming RJ-45, Ethernet, USB, and any other audio/video cables have been properly threaded through the wiring knockouts (from their terminal locations) on the Rough-In Box. Leave enough slack in the wiring to accommodate any re-positioning of the panel.
3. Connect all data and power wiring connectors to their corresponding locations along the side of the (un-powered) NXD touch panel.
 - Verify the terminal end of the power cable is not connected to a power supply before plugging in the 2-pin power connector.
 - The USB connectors can be from either a USB extension cable, or a wireless USB RF transmitter.

Note: *Don't disconnect the connectors from the touch panel. The unit must be installed with the attached connectors before being inserted into the Rough-In Box.*

4. Test the incoming wiring by connecting the panel connections to their terminal locations and applying power. Verify the panel is receiving power and functioning properly to prevent repetition of the installation.
5. Disconnect the terminal end of the power cable from the connected PSN power supply.
6. Carefully slide the main NXD unit (B in FIG. 2) into the Rough-In Box, so the Mounting Tab lies flush against the Rough-In Box (C in FIG. 2).
7. Insert and secure the four securing #4-40 Mounting Screws into their corresponding holes located along the sides of the NXD.
8. Replace the magnet faceplate (A in FIG. 2) back onto the main NXD unit. *Make sure to align the Microphone, Light, and PIR Motion sensor locations to their respective openings on the front bezel/faceplate.*
9. Connect the terminal RJ-45, Ethernet, and any optional audio/video wiring to their respective locations (outside the Rough-In Box) on either the AVB breakout box, Ethernet port, or NetLinX Master.
10. Reconnect the terminal power connector on the PSN and apply power

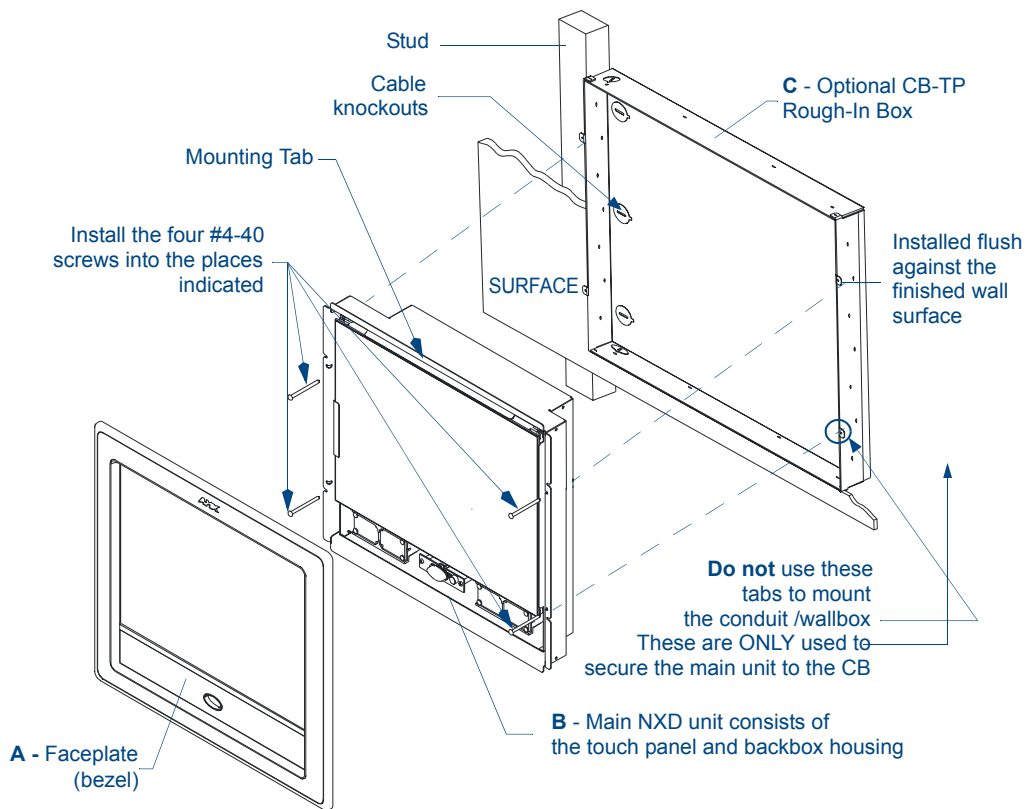


FIG. 2 Wall Mount panel installation configuration for pre-existing Rough-In Box in a pre-wall construction

For full warranty information, refer to the AMX Instruction Manual(s) associated with your Product(s).

10/08

©2008 AMX. All rights reserved. AMX and the AMX logo are registered trademarks of AMX.

AMX reserves the right to alter specifications without notice at any time.

3000 RESEARCH DRIVE, RICHARDSON, TX 75082 • 800.222.0193 • fax 469.624.7153 • technical support 800.932.6993 • www.amx.com

Download from Wwww.Somanuals.com. All Manuals Search And Download.

93-031-10 REV: B



Free Manuals Download Website

<http://myh66.com>

<http://usermanuals.us>

<http://www.somanuals.com>

<http://www.4manuals.cc>

<http://www.manual-lib.com>

<http://www.404manual.com>

<http://www.luxmanual.com>

<http://aubethermostatmanual.com>

Golf course search by state

<http://golfingnear.com>

Email search by domain

<http://emailbydomain.com>

Auto manuals search

<http://auto.somanuals.com>

TV manuals search

<http://tv.somanuals.com>