

Overview

The CB-MVPWDS Rough-In Box allows the MVP-WDS to be installed in a solid surface (e.g., wall or podium). This Rough-In box includes a removable access plate to provide better access to wiring. The CB-MVPWDS is symmetric top-to-bottom, so the access plate may be installed at the top or the bottom.

Specifications

CB-MVPWDS (FG037-10) Specifications	
Dimensions (HWD):	<ul style="list-style-type: none"> • 8 3/16" x 12" x 3 1/4" • 20.7 mm x 30.4 mm x 8.2 mm
Included Accessories	<ul style="list-style-type: none"> • Five mounting screws (#4-24 X .188, PFH, BLK, TYPE B, SELF-TAPPING, SHT MTL) (80-0203-01)
Certifications:	<ul style="list-style-type: none"> • cTUVus Listed

WARNING: INSTALLER, LEAVE A GAP BETWEEN THE STUD AND ROUGH-IN BOX TO ACCOMMODATE THE DRYWALL/SHEETROCK. This gap allows the installation of the drywall/sheetrock after the CB-MVPWDS has been mounted onto the beams. The stud notching and Rough-In Box installation must be done prior to any wall installation.

Note: The most important thing to remember when mounting this Rough-In Box is that the mounting tabs must be mounted flush against the outside of the sheetrock. This step determines whether or not the mounting stud is notched (cutout-out to fit the Rough-In Box).

Installing the CB-MVPWDS Rough-In Box

The CB-MVPWDS (**FG037-10**) is a metallic Rough-In Box that can be secured to a stud in a pre-wall setting. The MVP-WDS can then be installed into the Rough-In Box.

Note: Installation procedures and configurations vary depending on the installation environment.

When mounting the Rough-In Box, the MVP-WDS Mounting Tabs must lie flush against the outside of the sheetrock.

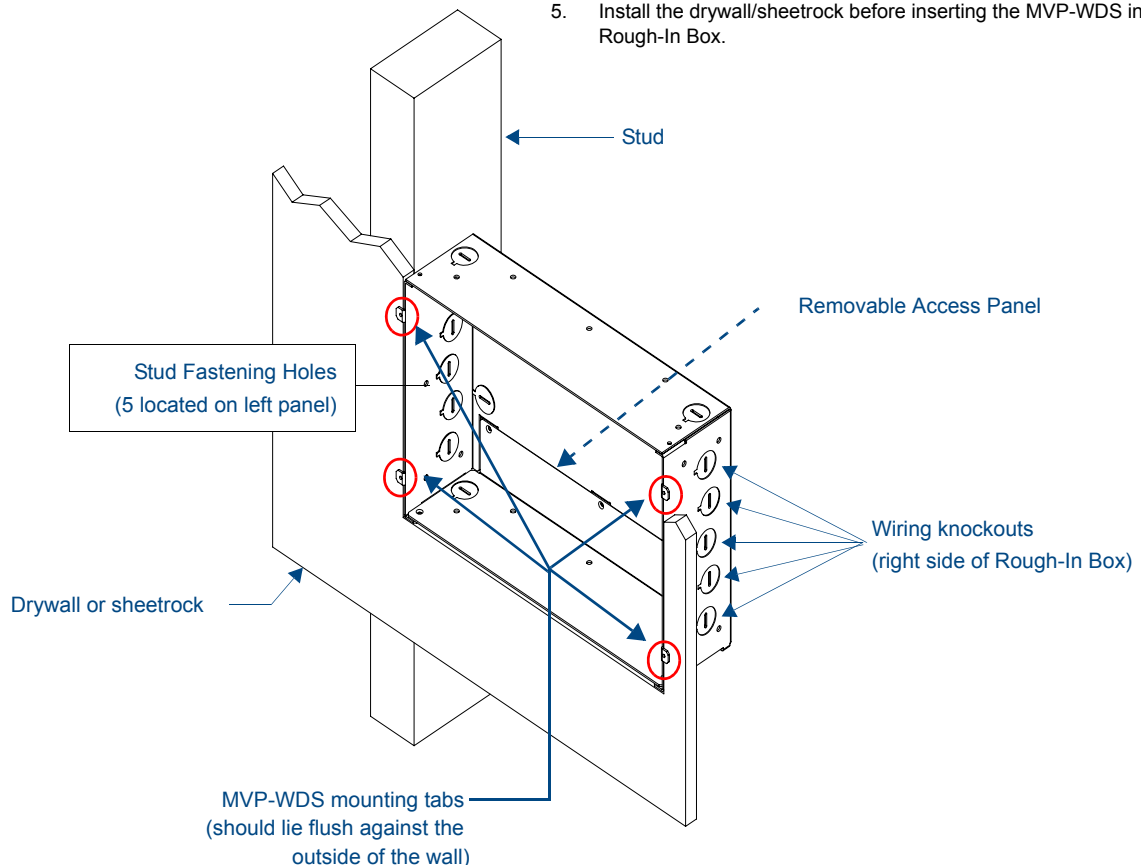
Refer to SP596502 for detailed installation dimensions (see reverse).

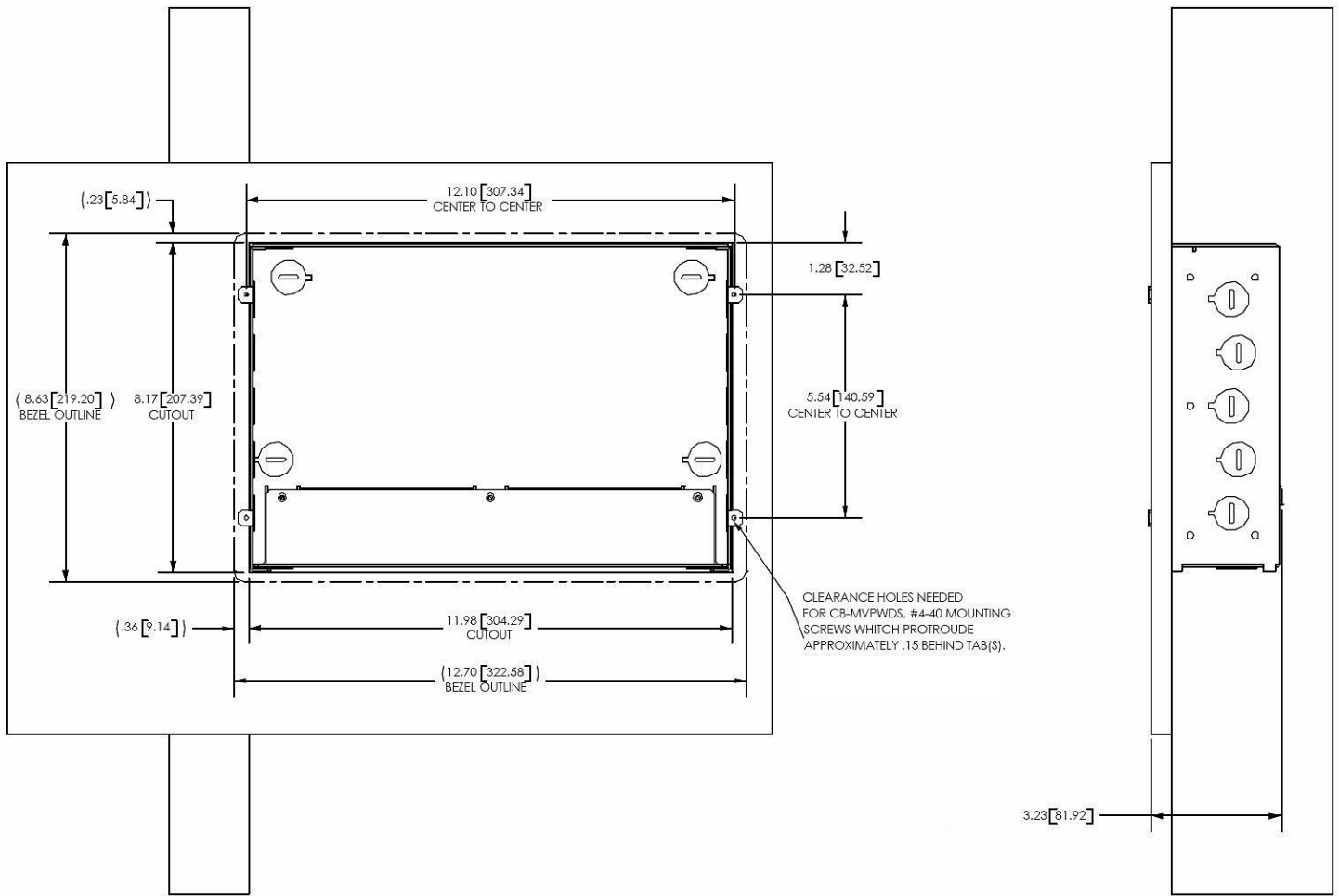
- It is recommended that you cut out the surface slightly smaller than what is outlined in the installation drawings so that you can make any necessary cutout adjustments.
- The CB-MVPWDS can be installed with the removable access panel positioned either on top or bottom. The access panel provides convenient access to in-wall wiring and must be re-installed prior to mounting the MVP-WDS.

1. Place the left side of the Rough-In Box on a stud, making sure that five Stud Fastening Holes and removable Access Panel are oriented correctly (installation dependent). Be sure to leave enough of a gap between the stud and Mounting Tabs to accommodate the installation of the drywall or sheetrock after the Rough-In Box has been mounted. Ultimately, the Mounting Tabs should lie flush against the outside of the sheetrock.

Note: Although there are wiring knockouts on both sides of the Rough-In Box, the knockouts on the right side will be used for the MVP-WDS (wall docking station) connectors, so always secure the Rough-In Box to the stud using the Stud Mounting Holes on the left side of the box.

2. Using either nails or screws, fasten the Rough-In Box to the stud through the five Stud Fastening Holes.
3. Remove the wiring knockouts from the right side of the Rough-In Box to accommodate cabling to the MVP-WDS.
4. Thread the USB and Power cables through the knockouts on the right of the Rough-In Box. It is recommended that you test these connections before fully installing the WDS.
5. Install the drywall/sheetrock before inserting the MVP-WDS into the Rough-In Box.





For full warranty information, refer to the AMX Instruction Manual(s) associated with your Product(s).

10/08

©2008 AMX. All rights reserved. AMX and the AMX logo are registered trademarks of AMX. AMX reserves the right to alter specifications without notice at any time.

3000 RESEARCH DRIVE, RICHARDSON, TX 75082 • 800.222.0193 • fax 469.624.7153 • technical support 800.932.6993 • www.amx.com

Download from Www.Somanuals.com. All Manuals Search And Download.

93-037-10 REV: A



Free Manuals Download Website

<http://myh66.com>

<http://usermanuals.us>

<http://www.somanuals.com>

<http://www.4manuals.cc>

<http://www.manual-lib.com>

<http://www.404manual.com>

<http://www.luxmanual.com>

<http://aubethermostatmanual.com>

Golf course search by state

<http://golfingnear.com>

Email search by domain

<http://emailbydomain.com>

Auto manuals search

<http://auto.somanuals.com>

TV manuals search

<http://tv.somanuals.com>