

Overview

The MET-ECOM-DNS-B Metreau Entry Communicator with Display (FG2180-07-BK) can be placed at entry points of homes, condos and hotels to provide audio/video communications with anyone at a door or gate - all over IP. Any AMX Modero intercom-enabled touch panel can interface with the Metreau Entry Communicator and allow residents to open doors, gates and more.

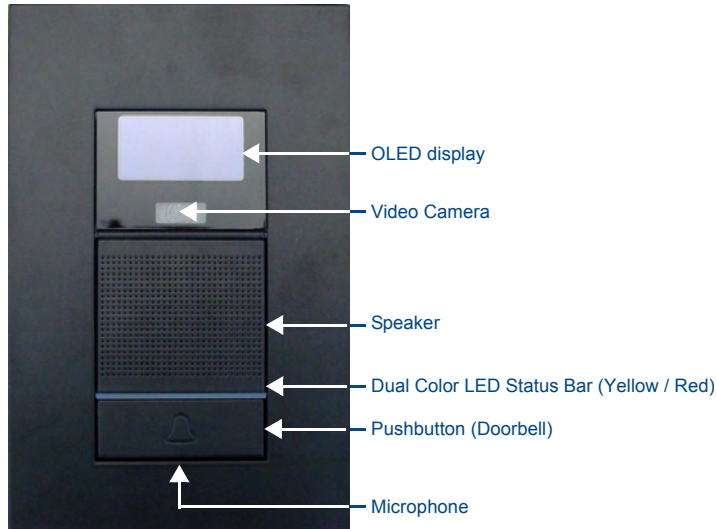


FIG. 1 MET-ECOM-DNS-B Metreau Entry Communicator with Display

Refer to the *Metreau Entry Communicators Operation/Reference Guide* (available online at www.amx.com) for additional installation details and instructions on positioning the integrated video camera, using the Configuration Manager, using the full-duplex intercom, and NetLinX Programming information.

Note: The MET-ECOM-DNS-B is intended for installation in interior or protected environments.

Product Specifications

MET-ECOM-DNS-B Specifications	
Power:	<ul style="list-style-type: none"> PoE powered – no local Power Supply needed IEEE 802.3af Compliant
Front Panel Components:	<ul style="list-style-type: none"> OLED Display Integrated Color Video Camera Speaker Dual Color LED Status Bar: (Yellow/ Red) can be used to provide feedback, to attract attention for action, or as general indicator. Pushbutton (Doorbell) Microphone
OLED Display:	<ul style="list-style-type: none"> 4-bit Gray Scale 1.6" Diagonal Display 180° Viewing Angle 2000:1 Contrast Ratio Unit stores up to 50 .bmp images
Integrated Color Video Camera:	<ul style="list-style-type: none"> QVGA 320 x 240 Supports Motion JPEG (MJPEG) and H.263 codecs. Viewing Angle: 42°
Speaker:	<ul style="list-style-type: none"> 8 Ohm, 2W 80dB SPL (sound pressure level at 1 meter) Meets G.711 sound standard
Microphone:	<ul style="list-style-type: none"> -40 dB sensitivity, built-in echo cancellation (telephone quality) Full duplex communication VoIP Telephony
Rear Panel Components:	<ul style="list-style-type: none"> Camera Viewing Angle Adjustment Ethernet Port - 10/100 Ethernet with PoE. LEDs show communication activity, connection status, speeds, and mode information: <ul style="list-style-type: none"> SPD (speed) - Green LED lights On when the connection speed is 100 Mbps and turns Off when the speed is 10 Mbps. L/A (link/activity) - Orange LED lights On when the Ethernet cables are connected and terminated correctly, and blinks when receiving Ethernet data packets. ID/Reset pushbutton: Push to set the NetLinX ID (Device only) assignment for the device. Push and hold for at least 10 seconds to reset to factory default settings.

MET-ECOM-DNS-B Specifications (Cont.)	
Rear Panel Components (Cont.):	<ul style="list-style-type: none"> Status LED: Green LED provides an indication of both the system status and communication status with the target Master. 1 blink every 5 seconds indicates there is currently active communication between the Metreau unit and a target Master. 2 Multi-Purpose I/Os (5V): 2-channel binary I/O ports for contact closure with each input being capable of voltage sensing. Input format is software selectable with interactive power sensing for IR ports. 2 Low Voltage Relays (1A contact): 2-channel single-pole single throw relay ports with each relay being independently controlled and supporting up to 2 independent external relay devices.
Dimensions (HWD):	<ul style="list-style-type: none"> 6.500" x 4.185" x 1.493" (16.510 cm x 10.629 cm x 3.792 cm)
Weight:	1.30 lbs (0.59 kg)
Operating Environment:	32° - 104° F (0° - 40° C)
Colors Available:	Black
Included Accessories:	<ul style="list-style-type: none"> Installation Kit - includes 2 Phoenix connectors (female, 3.5mm) and one Ferrite clip.
Other AMX Equipment:	<ul style="list-style-type: none"> Rough-In Box (<i>required for installation</i> - FG039-13) PS-POE-AF Power-over-Ethernet (PoE) power supply (FG423-80) NXA-ENET24 Managed Ethernet Switch (FG2178-60) NXA-ENET24PoE Managed Ethernet Switch, Power Over Ethernet (FG2178-61)
Certifications:	<ul style="list-style-type: none"> FCC Class B CE IEC60950 RoHS

Rear Panel Components

FIG. 2 shows the location of the rear panel components for the MET-ECOM-DNS-B.

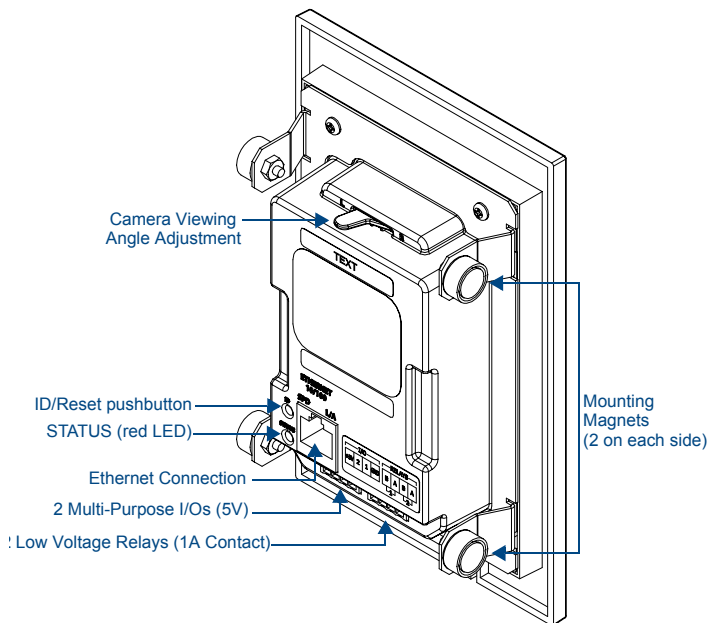


FIG. 2 MET-ECOM-DNS-B (rear panel)

Wiring and Connections

Note: To avoid any damage to the electronic component, installation must be performed in an ESD safe environment.

Note: Do not connect power to the MET-ECOM-DNS-B until the wiring is complete. After you have completed the installation, consult the Using the Configuration Manager section of the *Metreau Entry Communicators Operation/Reference Guide*.

Ethernet 10/100 Base-T RJ-45 Wiring Configuration

The table below describes the pinouts, signals, and pairing for the Ethernet 10/100 Base-T connector and cable.

Pin	Signals	Connections	Pairing	Color
1	TX +	1 ----- 1	1 ----- 2	White-Orange
2	TX -	2 ----- 2		Orange
3	RX +	3 ----- 3	3 ----- 6	White-Green
4	no connection	4 ----- 4		Blue
5	no connection	5 ----- 5		White-Blue
6	RX -	6 ----- 6		Green
7	no connection	7 ----- 7		White-Brown
8	no connection	8 ----- 8		Brown

The MET-ECOM-DNS-B uses CAT5/CAT6 wire via the Ethernet port for PoE power.

PoE (Power Over Ethernet)

Use the PS-POE-AF Power over Ethernet Injector (FG423-80) to simplify wiring and installation by eliminating the need for an AC outlet at each point of installation.

Note: The MET-ECOM-DNS-B can be placed up to approximately 330' (100 meters) from PoE Injector.

- If used with a non PoE-capable Ethernet switch (such as the NXA-ENET24), then an optional PS-POE-AF Power-over-Ethernet (PoE) power supply is required to provide power to the MET-ECOM-DNS-B.
- If the MET-ECOM-DNS-B is used with a PoE-capable Ethernet switch (such as the NXA-ENET24PoE), then no PoE Injectors are required.

Input/Output (I/O) Port: Connections and Wiring

The I/O port responds to either switch closures, voltage level (high/low) changes, or it can be used for logic-level outputs. A contact closure between the GND and an I/O port is detected as a Push.

- When used for voltage inputs, the I/O port detects a low signal (0 - 1.5 VDC) as a Push, and a high signal (3.5 - 5 VDC) as a Release (*this I/O port uses 5V logic but can handle up to 12V without harm*).
- When used for outputs, the I/O port acts as a switch to GND and is rated for 200 mA @ 5 VDC. This device can use up to 2 I/O ports (see table below).
- The PWR pin provides +5 VDC @ 200 mA.
- The GND connector is a common ground and is shared by all I/O ports. A common ground is shared with I/O ports 1 - 4 (see table below).

I/O Port Wiring Specifications

Pin	Signal	Function
1	5 VDC	PWR
2	I/O 2	Input/Output
3	I/O 1	Input/Output
4	GND	Signal GND

Connecting The Device via I/O

When connecting the I/O port, the GND on the MET-ECOM-DNS-B must be connected to the ground of the I/O device, e.g., a master or any third party I/O device.

Relay Port: Connections and Wiring

You can connect up to 2 independent external relay devices to the Relay connectors on the Metreau Entry Communicators.

- Connectors labeled A are for common; B are for output.
- Each relay is isolated and normally open.
- Use A for common and B for output. Each relay is isolated and normally open.

I/O and Relay Connectors - Pinout Configurations

FIG. 3 shows the pin configuration on the I/O and Relay ports.



FIG. 3 I/O and Relay connectors

Note: Do not use the relays on this unit for "secure" applications such as door and gate releases. For security reasons, an external relay box put in a secure location will work better for these devices.

Ferrite Installation (Required)

The MET-ECOM-DNS-B comes with a Cat5 Suppression Ferrite that must be clipped around the Ethernet cable, inside the back box (no tools required).

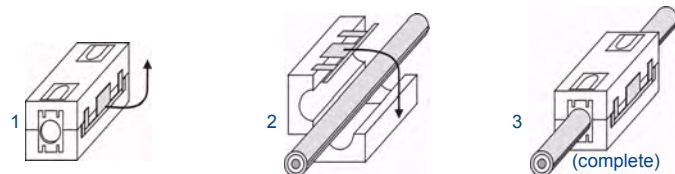


FIG. 4 Installing the CAT5 Suppression Ferrite

- Release the latch to open the plastic enclosure.
- Insert the Cat5 cable and close the enclosure.

Note: When positioning the Ferrite clip inside the back box, place the bottom of the clip flat against the back inside surface of the back box, to allow sufficient room for the Metreau unit. See the Operation/Reference Guide for details.

Mounting Specifications

FIG. 5 shows the recommended cutout for the MET-ECOM-DNS-B Rough-In Box. Use these dimensions for wall surface installations using expansion clips.

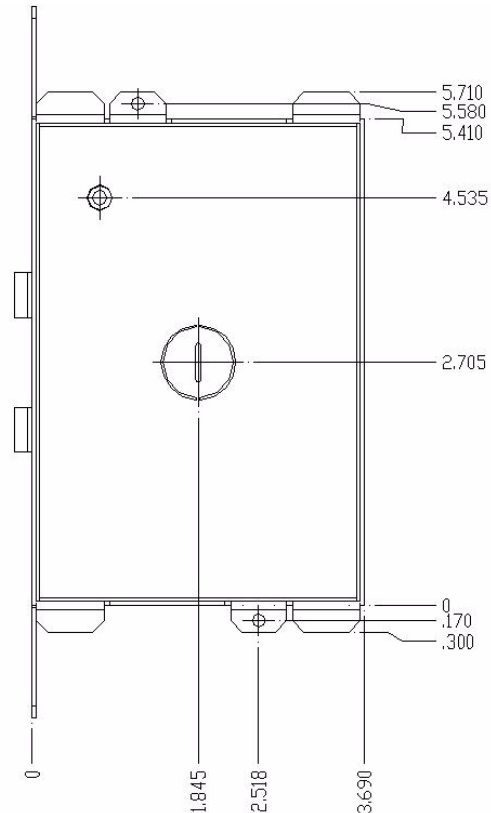


FIG. 5 Recommended Cutout for Rough-In Box

Note: Refer to the Metreau Entry Communicators Operation/Reference Guide for additional installation details and drawings.

Positioning the Camera

Metreau Entry Communicators feature a Camera Viewing Angle Adjustment slider on the rear panel of the unit that allows you to adjust the viewing angle horizontally from -15° to 15° (see FIG. 2).

The Camera Viewing Angle Adjustment slider is intended to be used at the time of installation. It is not intended to be used for regular periodic adjustments. Once a final installation location has been established, use the Camera Viewing Angle Adjustment slider to set the desired camera angle, then finalize the installation.

Installing the MET-ECOM-DNS-B

To install the MET-ECOM-DNS-B in to the Rough-In Box:

- Insert the Metreau unit into the Rough-In Box at an angle, sliding the bottom in first (FIG. 6).

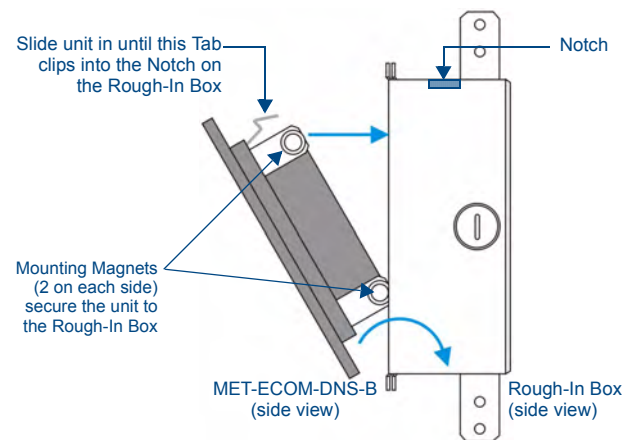


FIG. 6 Installing the MET-ECOM-DNS-B in to the Rough-In Box

- Slide the top of the Metreau unit into the Rough-In Box until the Tab on top of the Metreau unit reaches the edge of the Rough-In Box.
- Depress the Tab to allow it to slide into the Rough-In Box, and slide the top of the Metreau unit completely in, allowing the Tab to engage in the notch in the Rough-In Box.
- Push the bottom of the Metreau unit in, to fully seat the unit within the Rough-In Box.

Free Manuals Download Website

<http://myh66.com>

<http://usermanuals.us>

<http://www.somanuals.com>

<http://www.4manuals.cc>

<http://www.manual-lib.com>

<http://www.404manual.com>

<http://www.luxmanual.com>

<http://aubethermostatmanual.com>

Golf course search by state

<http://golfingnear.com>

Email search by domain

<http://emailbydomain.com>

Auto manuals search

<http://auto.somanuals.com>

TV manuals search

<http://tv.somanuals.com>