



MiniMaster II Drawing Table

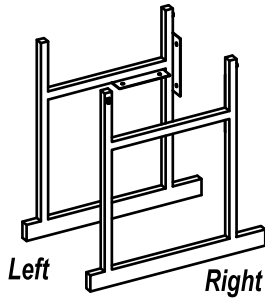
Assembly Instructions

April 2008

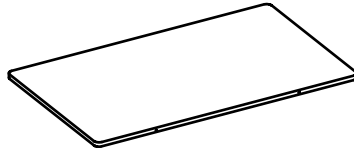
Tools required: Phillips screwdriver.

Parts Included:

A 2pcs Leg Frame



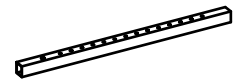
B 1pc Table Top



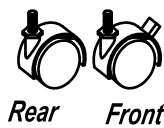
E 1pc Back Panel
Colored surface both sides



G 2pcs
Rear Extension Tubes



C 4pcs Casters



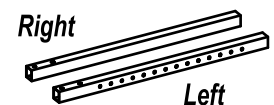
D 4pcs
Floor Glides



F 1pc Shelf
Colored surface one side only



H 2pcs
Front Extension Tubes



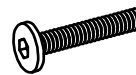
I 4pcs
Height Adjustment Knobs



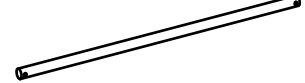
J 2pcs
Side Cross Bars



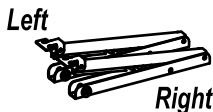
K 6pcs
1-1/2" Allen Bolts



L 1pc
Front Cross Bar



M 2pcs
Tilt Mechanisms



N 2pcs
Nylon Washers



O 6pcs
1-1/4" Allen Bolts



P 12pcs
1/2" Allen Bolts



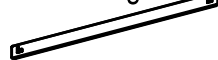
Q 2pcs
Table Top Brackets



R 10pcs
5/8" Wood Screws



S 1pc
Pencil Ledge



T 1pc
Allen Key



U 2pcs
Spacer

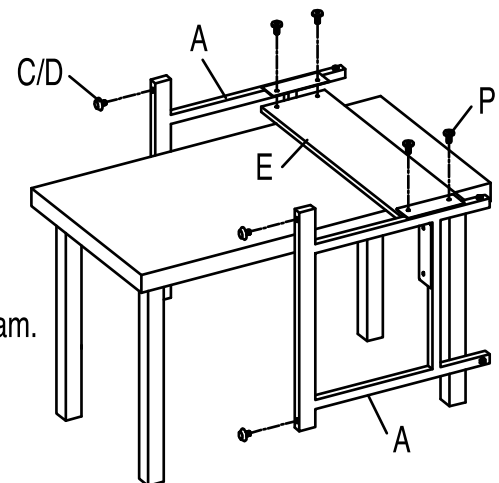


V 1pc
Reinforcing Bar



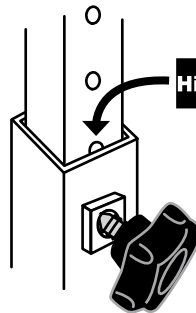
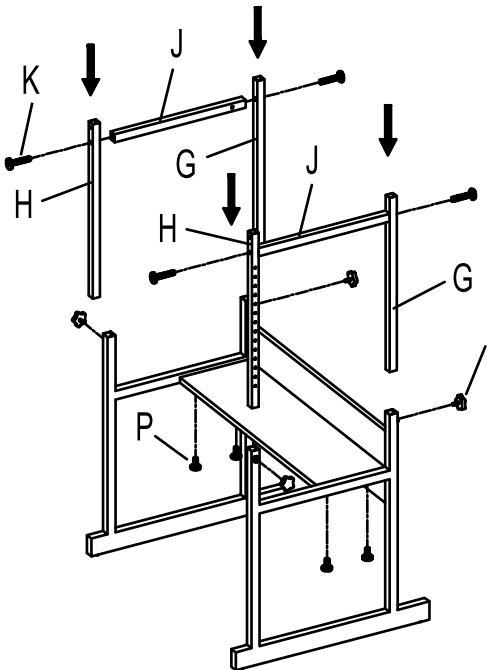
To Assemble:

- 1** Unpack and inspect contents to confirm that you have all parts listed above
- 2** Screw casters (C) or floor glides (D), whichever you prefer, into bottom tubes of left and right leg frames (A)
- 3** Place back panel (E) on a bench or table (at least 20" high) with ends hanging over the edge and threaded holes facing up. Note Back panel has colored PVC coating on both sides. Dont confuse it with the shelf that has coating only on one side.
- 4** Hang left leg frame (A) on top of back panel (E) as shown in diagram. Align holes in steel flange with holes in back panel and install 1/2" Allen Bolts (P). Be sure ends of back panel are pushed flush against steel tubing and tighten bolts securely.
- 5** Repeat step #4 for right leg frame (A)



6 Carefully remove base assembly from table/bench and place upright on floor. Use care not to overstress back panel connections at this time.

7 Place shelf (F) with pre-drilled holes facing down onto the steel shelf flanges. Attach with 1/2" Allen bolts (P) from below. Be sure ends of shelf panel are pushed flush against steel tubing and tighten bolts securely.



Hint Extension tube holes align with height adjustment knobs when half of the hole above is showing.

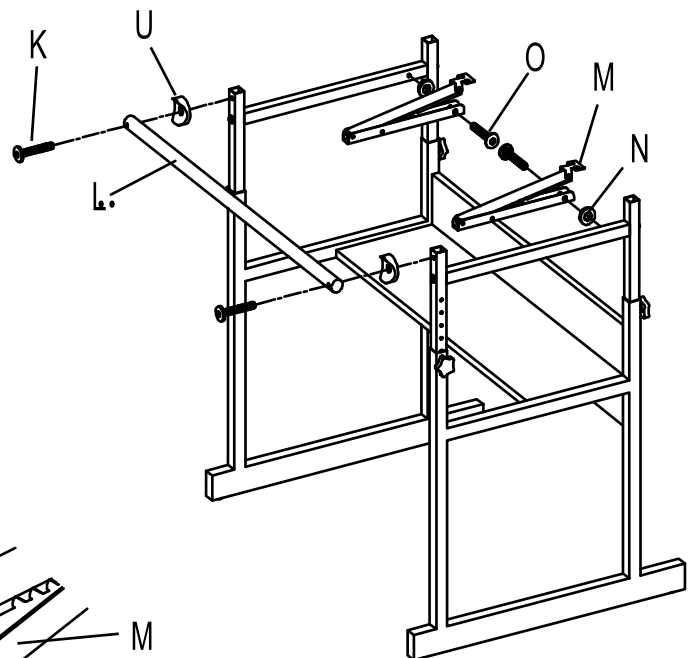
8 Insert front and rear extension tubes (G and H) into base assembly. Pay close attention to correct orientation and position of left and right tubes, as shown in diagram. Install height adjustment knobs (I) in each leg and set each extension tube in the third hole for the time being.

Hint Extension tube holes align with height adjustment knobs when half of the hole above is showing.

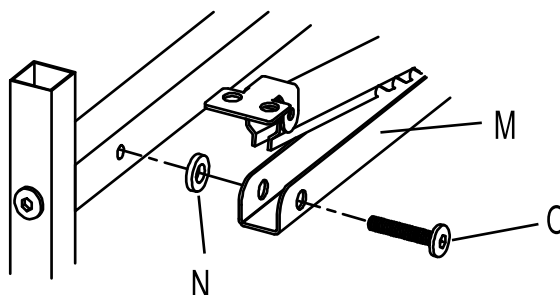
9 Attach Side Cross Bars (J) between extension tubes using 1-1/2" Allen Bolts (K) as shown in diagram.

10 Attach Front Cross Bar (L) to front extension tubes using 1-1/2 Allen Bolts (K) and plastic spacers (U) as shown in diagram.

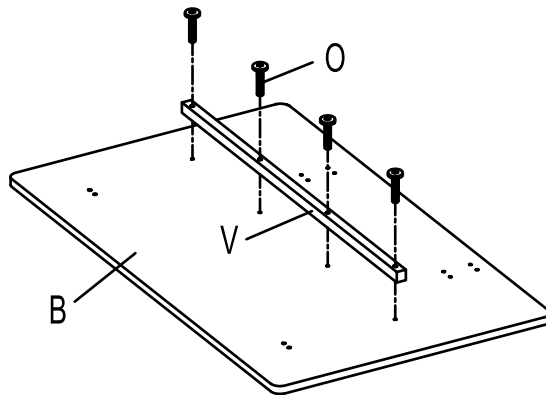
11 Attach Tilt Mechanisms (M) to Side Cross Bars using 1-1/4" Allen Bolts (K) and Nylon Washers (N) as shown in diagram. Double check that the left tilt mechanism is attached to the tilt mechanism will face inward. left side and the right tilt mechanism is attached to the right side. If correctly attached, the elongated "tabs" on the end of each



12 Set base assembly aside.



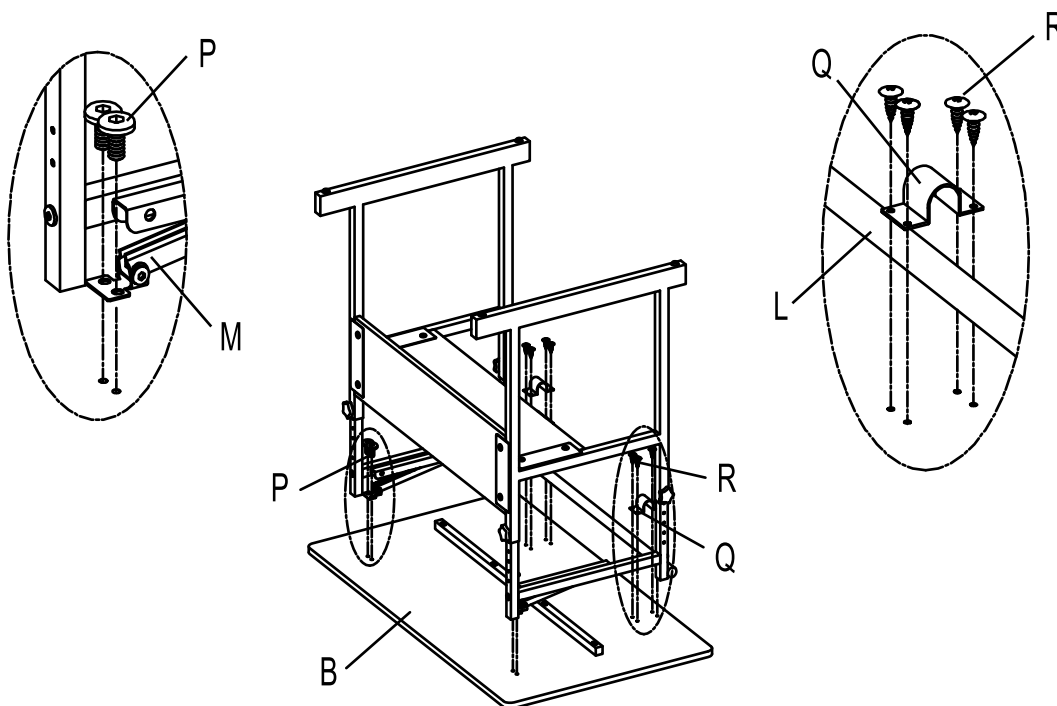
- 13** Place tabletop (B) on carpeted or protected floor with pre-drilled side facing up. Attach Reinforcing Bar (V) to tabletop using 1-1/4" Allen Bolts (O) into threaded holes in tabletop. Tighten securely.



- 14** Carefully turn base assembly upside down and place on tabletop. Align holes in Tilt Mechanisms (M) with threaded holes in tabletop. Connect using 1/2" Allen Bolts (P) and tighten firmly.

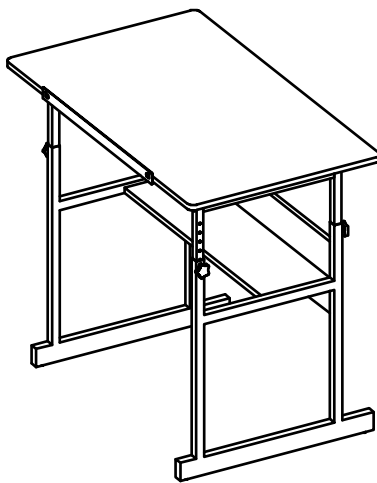
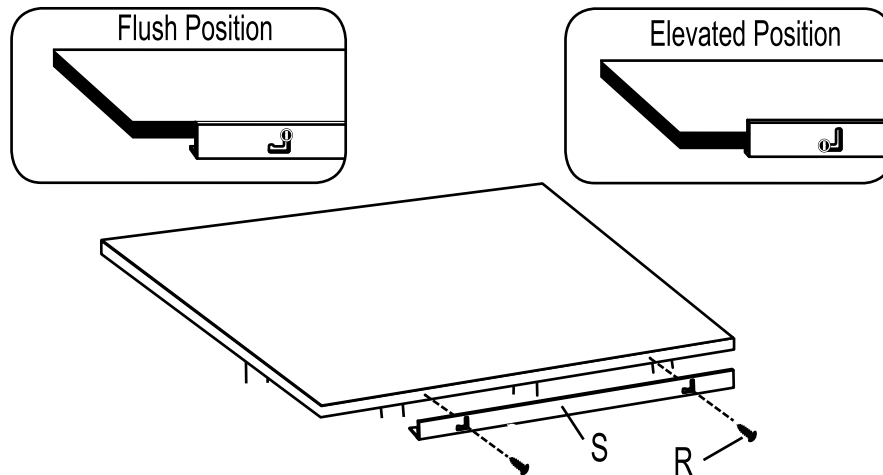
- 15** Align Table Top Brackets (Q) with the 2 sets of pre-drilled holes. These brackets should straddle and capture the Front Cross Bar (L). Attach brackets using 5/8" Wood Screws (R). Be careful not to over tighten or you might strip the holes

- 16** Carefully return table assembly to the upright position.



17 Attach Pencil Ledge (S) to front edge of tabletop using 5/8" Wood Screws (R) according to diagram. The pencil ledge prevents materials from sliding off of a tilted surface and the slotted connection allows for easy adjustment from flush to elevated position.

18 Your table is now ready to use. See instructions below for height adjustments. The ratcheted tilt mechanisms allow you to set the tabletop at a variety of comfortable working angles. Simply lift the table top from the back edge until it clicks into the desired position. To return the top to the flat position, raise the back edge as high as it will go. This will release the ratchet mechanism.



**Send us your
comments and
suggestions and
we'll send you
free Drafting Dots!**



Alvin Drafting Dots (#DM123) work well to tape your paper and other media to the tilted table surface. To receive a free roll of Drafting Dots, simply visit the "Contact Us" page on our website www.alvinco.com and submit your comments and suggestions about our MiniMaster table. We are constantly working on product improvements and look forward to hearing from you

To Adjust Height

1. Important Note: The MiniMaster Table is designed to have all 4 extension tubes set at the same height at all times. Do not attempt to use the table with the tubes set at different heights.
2. Before adjusting height, return table top to the flat, horizontal position.
3. It is suggested that two people perform the height adjustment to avoid damaging table.
4. It is also suggested that the table be laid on its back when making height adjustments, Be sure it is resting on a carpeted or otherwise protected surface.
5. Loosen all 4 height adjustment knobs "I" and carefully slide the extension tubes to the desired height. Note that the extension tube holes align with height adjustment knobs when half of the hole above it is showing.
6. Retighten height adjustment knobs and return table to upright position.

Free Manuals Download Website

<http://myh66.com>

<http://usermanuals.us>

<http://www.somanuals.com>

<http://www.4manuals.cc>

<http://www.manual-lib.com>

<http://www.404manual.com>

<http://www.luxmanual.com>

<http://aubethermostatmanual.com>

Golf course search by state

<http://golfingnear.com>

Email search by domain

<http://emailbydomain.com>

Auto manuals search

<http://auto.somanuals.com>

TV manuals search

<http://tv.somanuals.com>