

ED2-96/2S SERIES

ED2SYS-96/2S SERIES

MULTI-SHELF HEATED DISPLAY



• HALO HEAT ... a controlled, uniform heat source that gently holds and surrounds food for better appearance, taste, and longer holding life.



ED2-96/2S



ED2SYS-96/2S

- Holds and displays hot food fresh and moist for hours.
- **SELF-SERVICE HOT DISPLAY CASE**
 - Curved glass styling.
 - Thermostatically controlled heat source radiates from the base of each shelf in multiple heat zones.
 - Top shelf incorporates thermal kinetic glass technology to provide an evenly heated display surface.
 - Bottom shelf is heated by an aluminum plate with a resistive heat pad.
 - Overhead lighting on each shelf.
 - Solar cool bronze sliding glass doors reflect heat back into the products and mirror the display to enhance merchandising effect.
 - Customer self-service opening is across the full width of case.
 - Front-mounted heat guard on each shelf provides customer protection.

MULTI-SHELF HEATED DISPLAY CASE

The display case is constructed of 18 gauge, non-magnetic stainless steel. A curved, tempered glass top frames the display case. Removable, sliding glass doors on the operator side are included. Sliding door tracks have a "clean sweep" cutout allowing for easy cleaning and crumb removal. Each shelf is controlled by two (2) adjustable thermostats with a range of 1 to 10, and includes one (1) heat-on indicator light. The two-shelf self-service display system includes a low-profile, European style base with one (1) storage shelf. As an additional option, the base can be adapted to accommodate two (2) 500-1D drawer warmers. Counter-top display cases include one set of 4" (102mm) legs.

Note: For use with pre-packaged foods only.

- ED2-96/2S - 96" (2438mm) length
- ED2SYS-96/2S - 96" (2438mm) length, with base

FACTORY INSTALLED OPTIONS

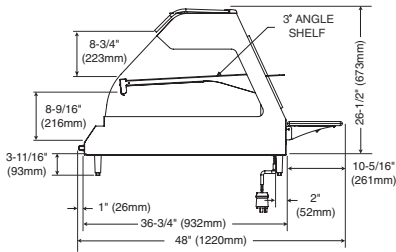
- The system base is not sold as a separate item. Order the full ED2SYS/2S model to receive the base.
- Panel Color Choices
 - Specify color choice:
 - Black, standard
 - Stainless Steel
 - Custom Color



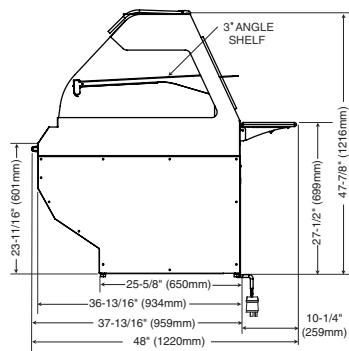
W164 N9221 Water Street • P.O. Box 450 • Menomonee Falls, Wisconsin 53052-0450 • U.S.A.
 PHONE: 262.251.3800 800.558.8744 U.S.A./CANADA FAX: 262.251.7067 800.329.8744 U.S.A. ONLY
www.alto-shaam.com

ED2-96/2S SERIES ED2SYS-96/2S SERIES

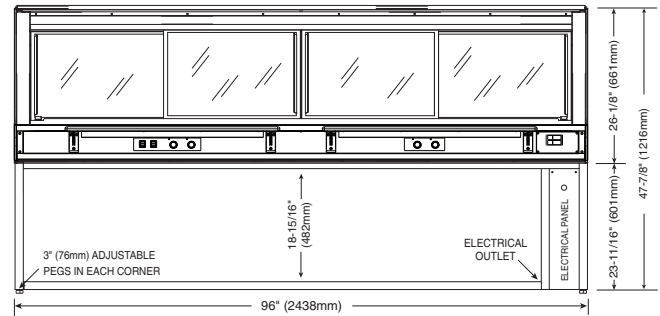
MULTI-SHELF HEATED DISPLAY SYSTEMS




ED2-96/2S Profile



ED2SYS-96/2S Profile



ED2SYS-96/2S Back View

ELECTRICAL					
VOLTAGE	PHASE	CYCLE/HZ	AMPS	kW	
208-240V (AGCY)	1	50/60	21.8	5.2	NEMA L6-30P 30A, 250V PLUG 
at 208V	1	50/60	20.2	4.2	
at 240V	1	50/60	23.3	5.6	

WEIGHT (EST.)		
MODEL	NET	SHIP
ED2-96/2S:	CONTACT FACTORY	CONTACT FACTORY
ED2SYS-96/2S:	CONTACT FACTORY	CONTACT FACTORY

CRATED DIMENSIONS: H X W X D

ED2-96/2S: CONTACT FACTORY

ED2SYS-96/2S: CONTACT FACTORY

PRODUCT CAPACITY	
TOP SHELF	Twenty-four (24) chicken boats with dome cover
BOTTOM SHELF	Thirty (30) chicken boats with dome cover

DIMENSIONS (H X W X D)	
ED2-96/2S EXTERIOR:	30-3/16" x 96" x 48" (766mm x 2438mm x 1220mm)
ED2SYS-96/2S EXTERIOR:	47-7/8" x 96" x 48" (1216mm x 2438mm x 1220mm)
TOP SHELF DIMENSIONS (W X D):	93-9/16" x 18-3/4" (2377mm x 475mm)
BOTTOM SHELF DIMENSIONS (W X D):	88-3/4" x 28-3/4" (2254mm x 730mm)

SPECIFICATIONS	
• Four (4) florescents are enclosed in the top interior of the case. Four (4) florescents are enclosed and centered under the top shelf. Each set is controlled by one (1) ON/OFF light switch.	
• Two (2) 10" x 36" (254mm x 914mm) operator-side work shelves.	

OPTIONS & ACCESSORIES	
<input type="checkbox"/> WORK SHELF WITH GRAVY LANE	5005640

INSTALLATION REQUIREMENTS	
Display case must be installed level. The display case must not be installed in any area where it may be affected by steam, grease, dripping water, high temperatures, or any other severely adverse conditions.	
Do not install a heated display case near a cold air source such as a freezer, air conditioning vents, or in any area where outside air fluctuation can affect performance.	

Free Manuals Download Website

<http://myh66.com>

<http://usermanuals.us>

<http://www.somanuals.com>

<http://www.4manuals.cc>

<http://www.manual-lib.com>

<http://www.404manual.com>

<http://www.luxmanual.com>

<http://aubethermostatmanual.com>

Golf course search by state

<http://golfingnear.com>

Email search by domain

<http://emailbydomain.com>

Auto manuals search

<http://auto.somanuals.com>

TV manuals search

<http://tv.somanuals.com>