

Drying Tumblers

Stacked 30 Pound Capacity
(Models Prior to Serial DTCK9401011756)
Refer to Page 3 for Model Numbers

Parts



www.comlaundry.com

Part No. M411988R1
April 2000

Table of Contents

Title	Page
Parts Ordering Information	2
Nameplate Location	2
Model Identification	3
Single Coin Drop	4
Dual Coin Drop	6
Cover Plate	8
Microprocessor	10
Front Panel Assembly	12
Front Panel Assembly	14
Side Panels	16
Loading Door	18
Lint Drawer	20
Cylinder	22
Drive Shaft	24
Drive Shaft	26
Blower Housing and Fan	28
Motor and Belt Guard	30
Thermostat and Burner	32
Gas Valve	34
Gas Valve Coils	36
Orifice Sizing for Stacked Tumbler Gas Valves	38
120/208-240 Volt, 60 Hertz Junction Box	40
240 Volt, 50 Hertz Junction Box	42
120/208-240 Volt, 60 Hertz Junction Box	44
240 Volt, 50 Hertz Junction Box	46
Stickers and Labels – Front	48
Stickers and Labels – Rear	50
Coin Drop Assemblies	52
Wire Harnesses	53
Parts Index	55

© Copyright 2000, Alliance Laundry Systems LLC

All rights reserved. No part of the contents of this book may be reproduced or transmitted in any form or by any means without the expressed written consent of the publisher.

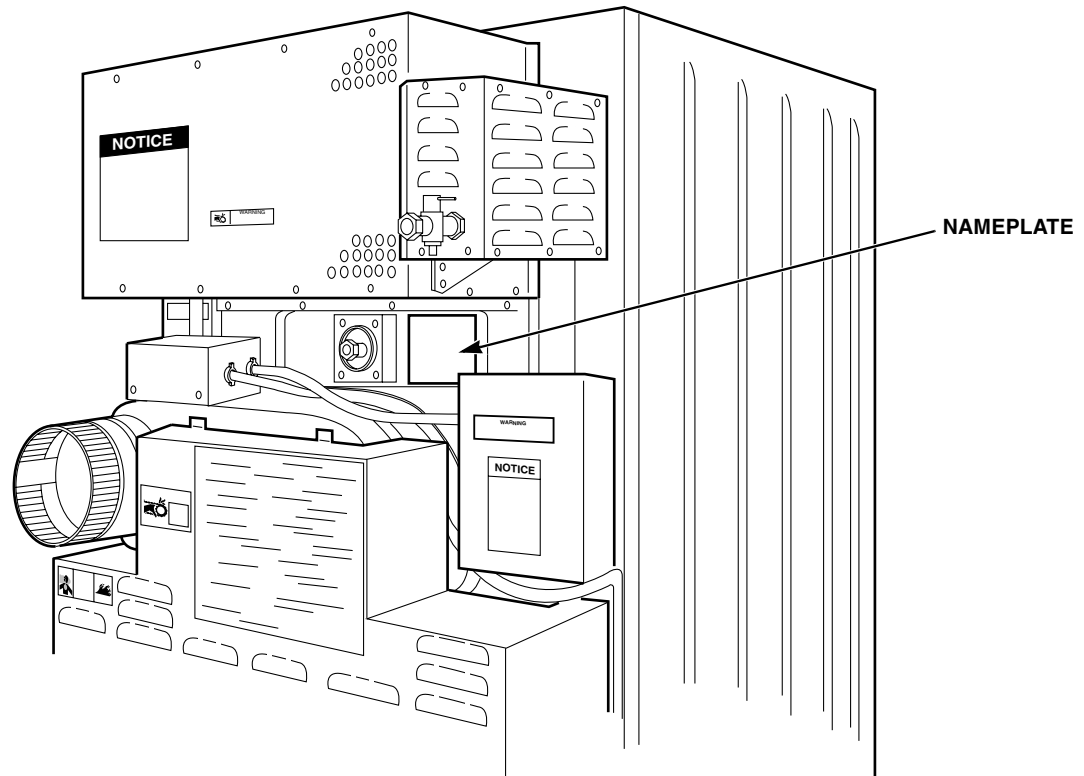
Parts Ordering Information

If literature or replacement parts are required, contact the source from whom the machine was purchased or contact Alliance Laundry Systems LLC at (920) 748-3950 for the name and address of the nearest authorized parts distributor.

For technical assistance, call (920) 748-3121.

Nameplate Location

When calling or writing about your product, be sure to mention model and serial numbers. Model and serial numbers are located on nameplate(s) as shown.



T278P

Model Identification

Information in this manual is applicable to these stacked drying tumblers:

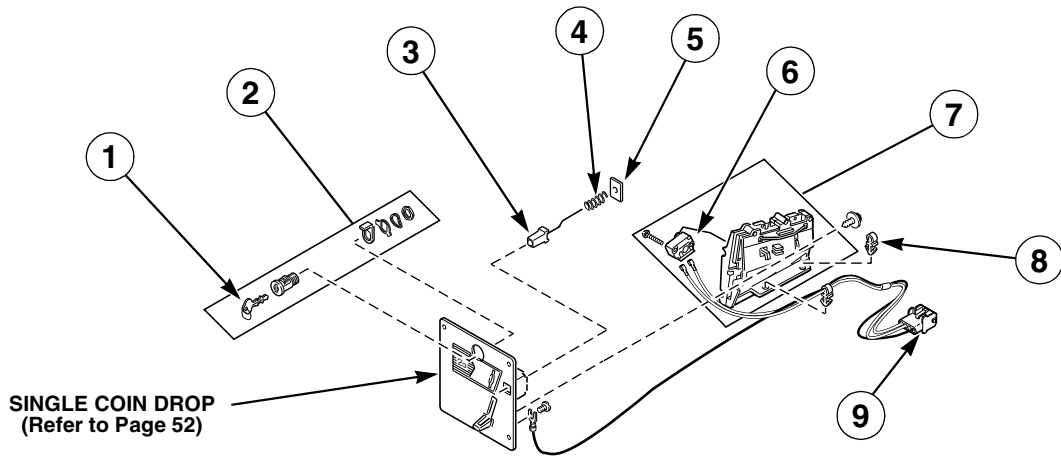
JTD32DG

JCD32DG

STD32DG

SCD32DG

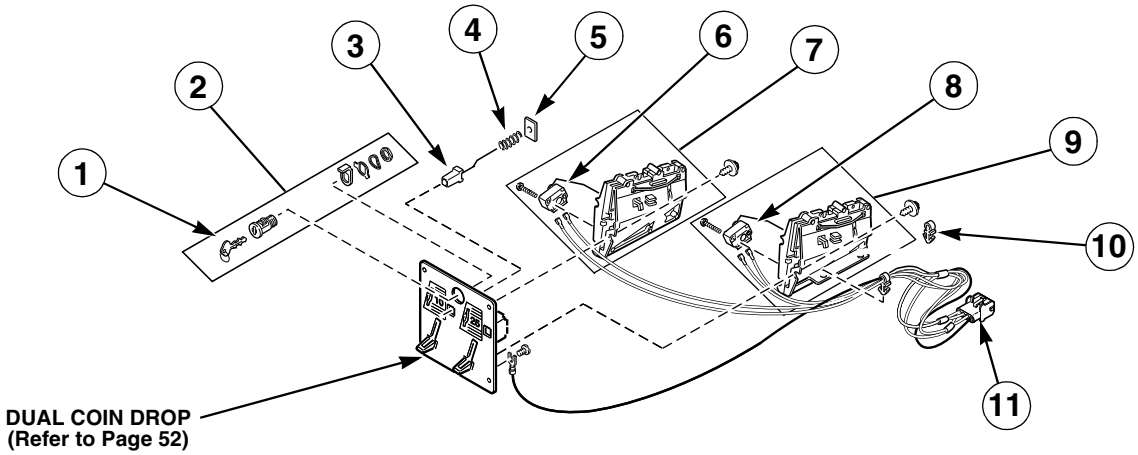
Single Coin Drop



Single Coin Drop

REF	PART NO.	DESCRIPTION	COMMENTS
1	430664	Key	
2	430671	Lock	
3	81312J	Push Button	
4	81312K	Spring	
5	81312L	Cover Plate	
6	M412095	Coin Switch	
7	M412094	Rejector	
8	430535	Clip	
9	430613	Wire Harness	

Dual Coin Drop

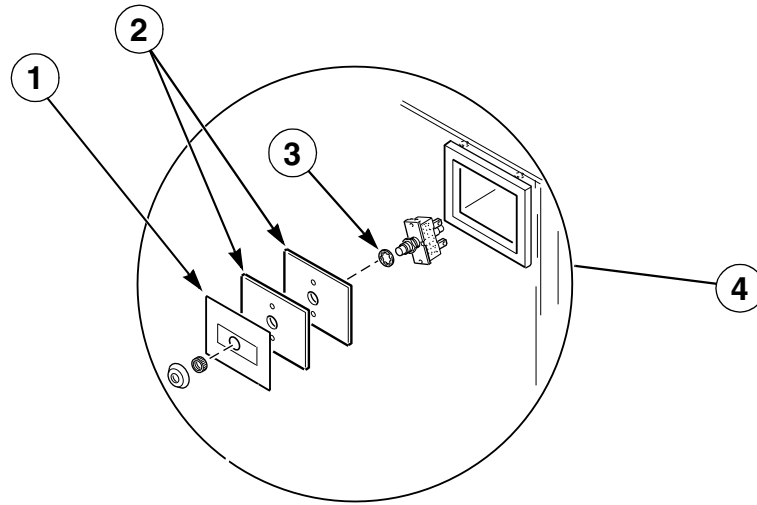


Dual Coin Drop

REF	PART NO.	DESCRIPTION	COMMENTS
1	430664	Key	
2	430671	Lock	
3	81312J	Push Button	
4	81312K	Spring	
5	81312L	Cover Plate	
6	81312G	Coin Switch	
7	81312D	Rejector	
8	M412095	Coin Switch	
9	M412094	Rejector	
10	430535	Clip	
11	430343	Wire Harness	

Cover Plate

For Manual Start Kit



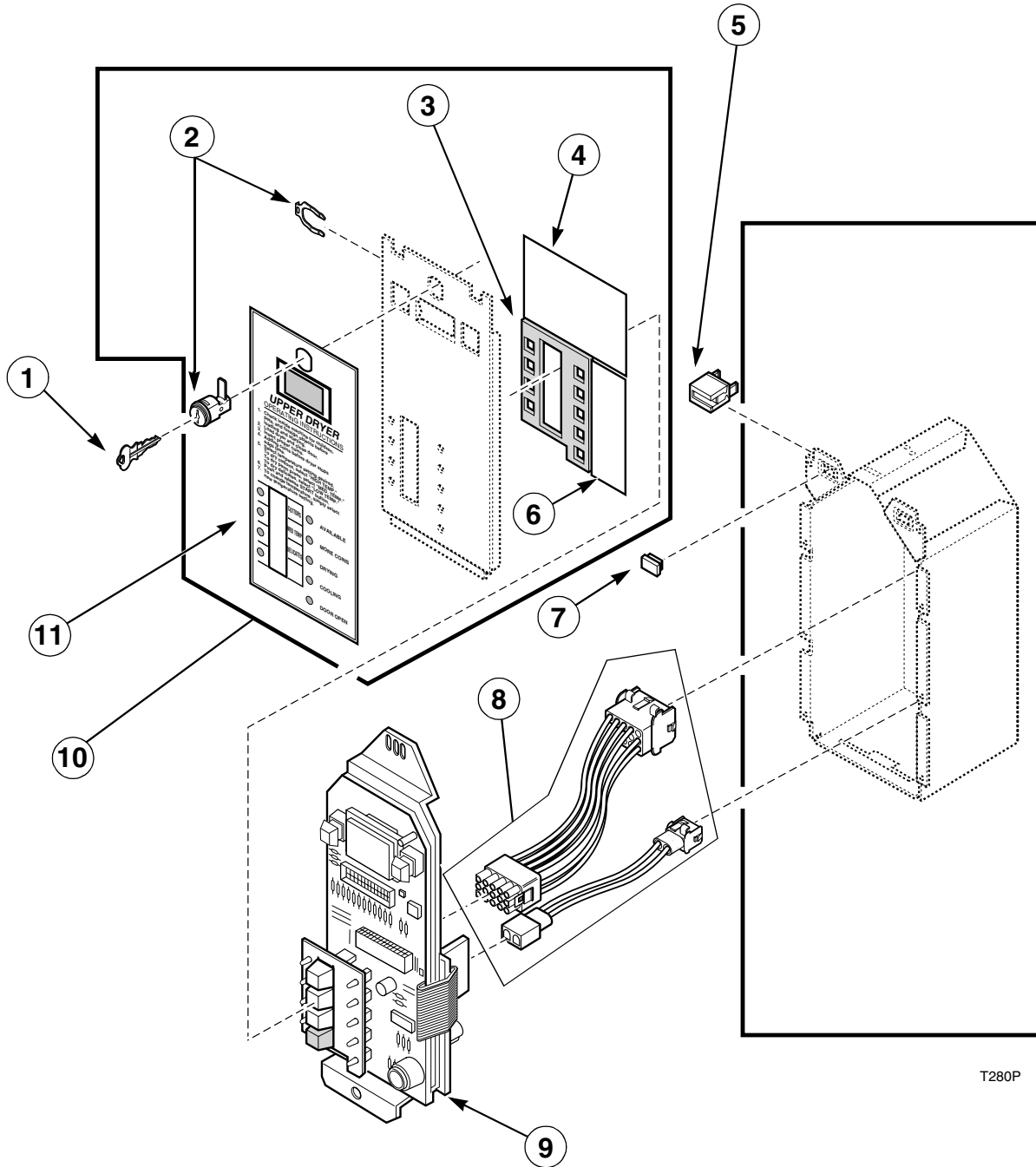
Cover Plate

For Manual Start Kit

REF	PART NO.	DESCRIPTION	COMMENTS
	430974	Outer Front Plate	Used to close off coin vault opening
	430837	Carriage Bolt	Prior to Serial No. DTCK0728885ZH
	431114	Retaining Bolt	Starting with Serial No. DTCK0728885ZH
	20275	Hex Nut	Prior to Serial No. DTCK0728885ZH
	M401930	Square Nut	Starting with Serial No. DTCK0728885ZH
1	M406303	Instruction Plate	
2	81637	Switch Plate	2 Required
3	02377	Lockwasher	2 Required
4	430799	Manual Start Assembly	Replaces Coin Drop

**DTCK0728885ZH was Serial No. for models with angled Coin Vault located below Coin Drop.
Single Coin Drops did not change with Coin Vault change.**

Microprocessor



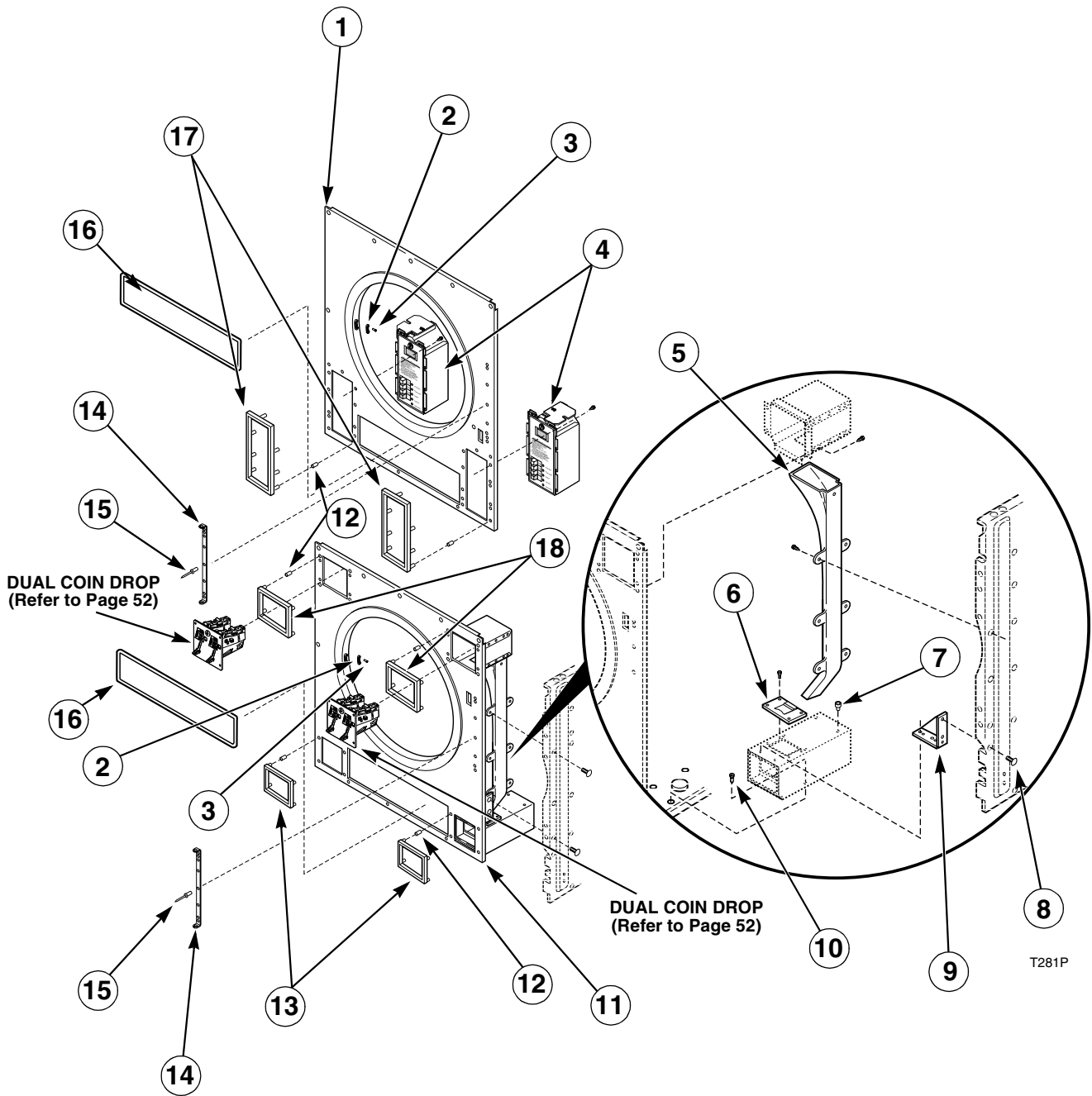
T280P

Microprocessor

REF	PART NO.	DESCRIPTION	COMMENTS
1	430664	Key	
2	430832	Lock	
3	430274	Gasket	
4	430291	Program Instructions	
5	430562	Service Soon Light	Prior to Serial No. DTCK9211033714
6	430596	Sticker	
7	430561	Lens	Prior to Serial No. DTCK9211033714
8	430330P	Wire Harness Kit	
9	430640P	Microprocessor	
10	430905	Microprocessor Door Assembly	Left
	430907	Microprocessor Door Assembly	Right
11	430906	Graphics Panel	Left
	430908	Graphics Panel	Right

Front Panel Assembly

(Prior to Serial No. DTCK0728885ZH)



Front Panel Assembly

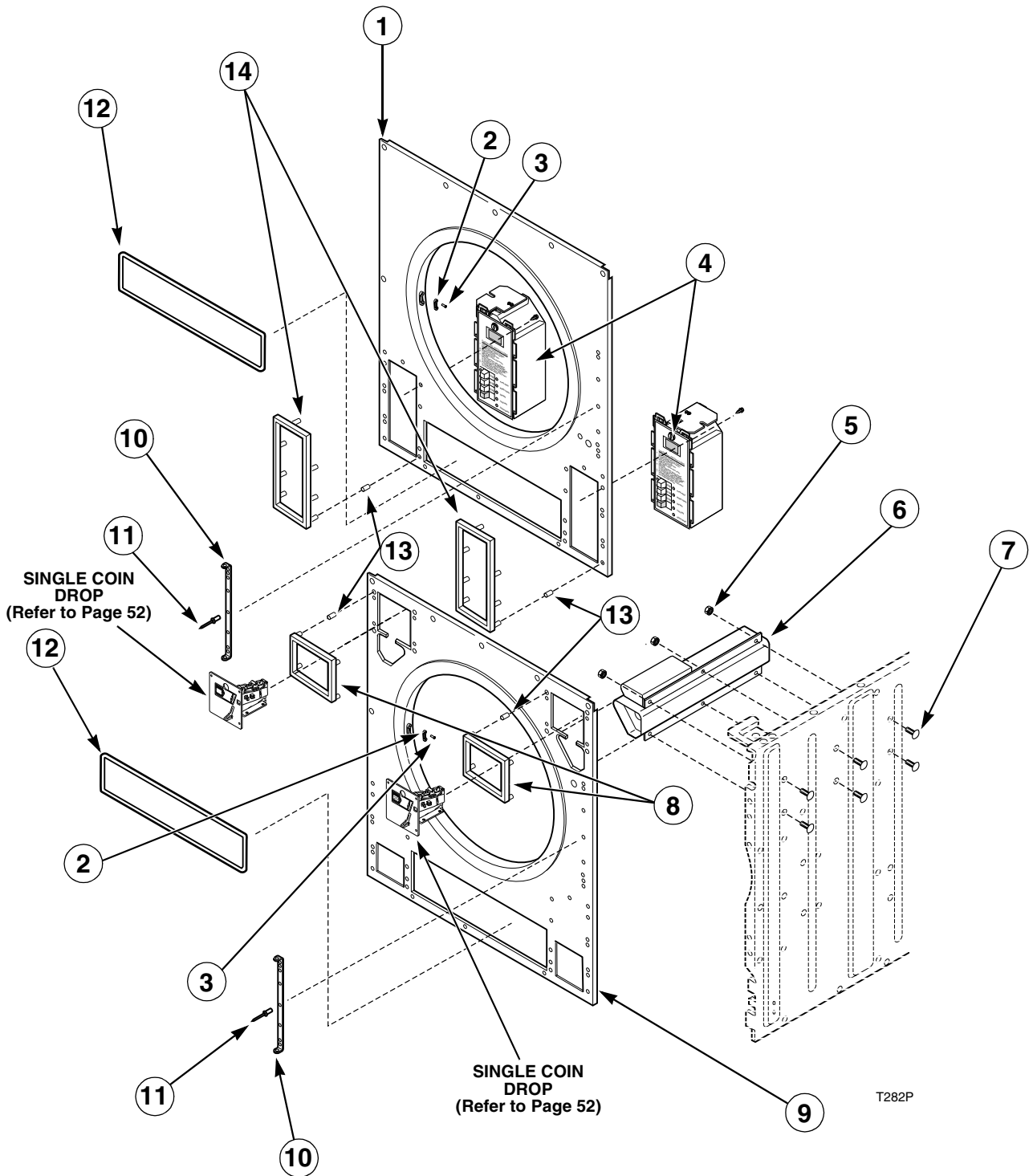
(Prior to Serial No. DTCK0728885ZH)

REF	PART NO.	DESCRIPTION	COMMENTS
1	431323*	Front Panel – Upper	Painted
	431169	Front Panel – Upper	Stainless Steel
2	M401223	Catch	Included with Front Panel
3	M400003	Rivet	Included with Front Panel
4	430640P	Microprocessor	
5	430228	Coin Chute	
6	430452	Coin Chute Bracket	Left
	430451	Coin Chute Bracket	Right
7	430460	Plug	
8	430489	Rivet	
9	430382	Coin Vault Bracket	
10	430449	Screw	
11	431324*	Front Panel – Lower	Painted
	431170	Front Panel – Lower	Stainless Steel
12	M400972	Clip	
13	430548	Coin Vault Shadow Box	
14	431000*	Hinge Bracket	Painted, included with Front Panel
	431044	Hinge Bracket	Stainless Steel, included with Front Panel
15	M410762	Rivet	Included with Front Panel
16	430638	Seal	Included with Front Panel
17	431326	Microprocessor Shadow Box	
18	430995	Coin Drop Shadow Box	

* Add letter to designate color: L - Almond W - White V - Orange K - Red
 B - Battina Green H - Harvest Gold X - Electric Blue P - Turquoise

Front Panel Assembly

(Serial No. DTCK0728885ZH through Serial No. DTCK9312664705)



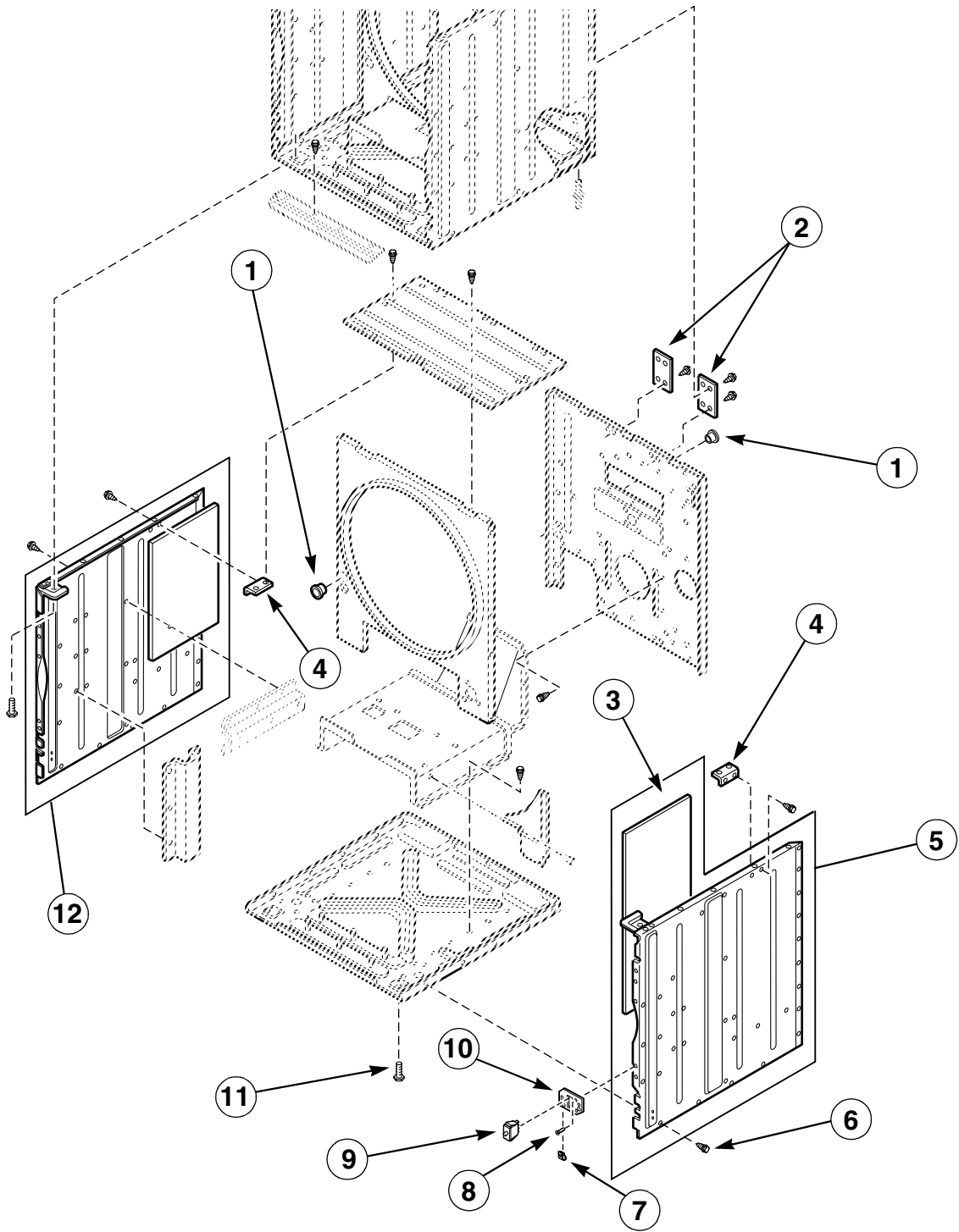
Front Panel Assembly

(Serial No. DTCK0728885ZH through Serial No. DTCK9312664705)

REF	PART NO.	DESCRIPTION	COMMENTS
1	431142*	Front Panel – Upper	Painted
	431221	Front Panel – Upper	Stainless Steel
2	M401223	Catch	Included with Front Panel
3	M400003	Rivet	Included with Front Panel
4	430640P	Microprocessor	
5	23951	Nut	6 Required
6	430982*	Coin Vault	Left
	430972*	Coin Vault	Right
7	431027	Screw	6 Required
8	430548	Coin Vault Shadow Box	
9	431143*	Front Panel – Lower	Painted
	431222	Front Panel – Lower	Stainless Steel
10	431000*	Hinge Bracket	Painted, included with Front Panel
	431044	Hinge Bracket	Stainless Steel, included with Front Panel
11	M410762	Rivet	Included with Front Panel
12	430638	Seal	Included with Front Panel
13	M400972	Clip	
14	431326	Microprocessor Shadow Box	

* Add letter to designate color: L - Almond W - White V - Orange K - Red
 B - Battina Green H - Harvest Gold X - Electric Blue P - Turquoise

Side Panels

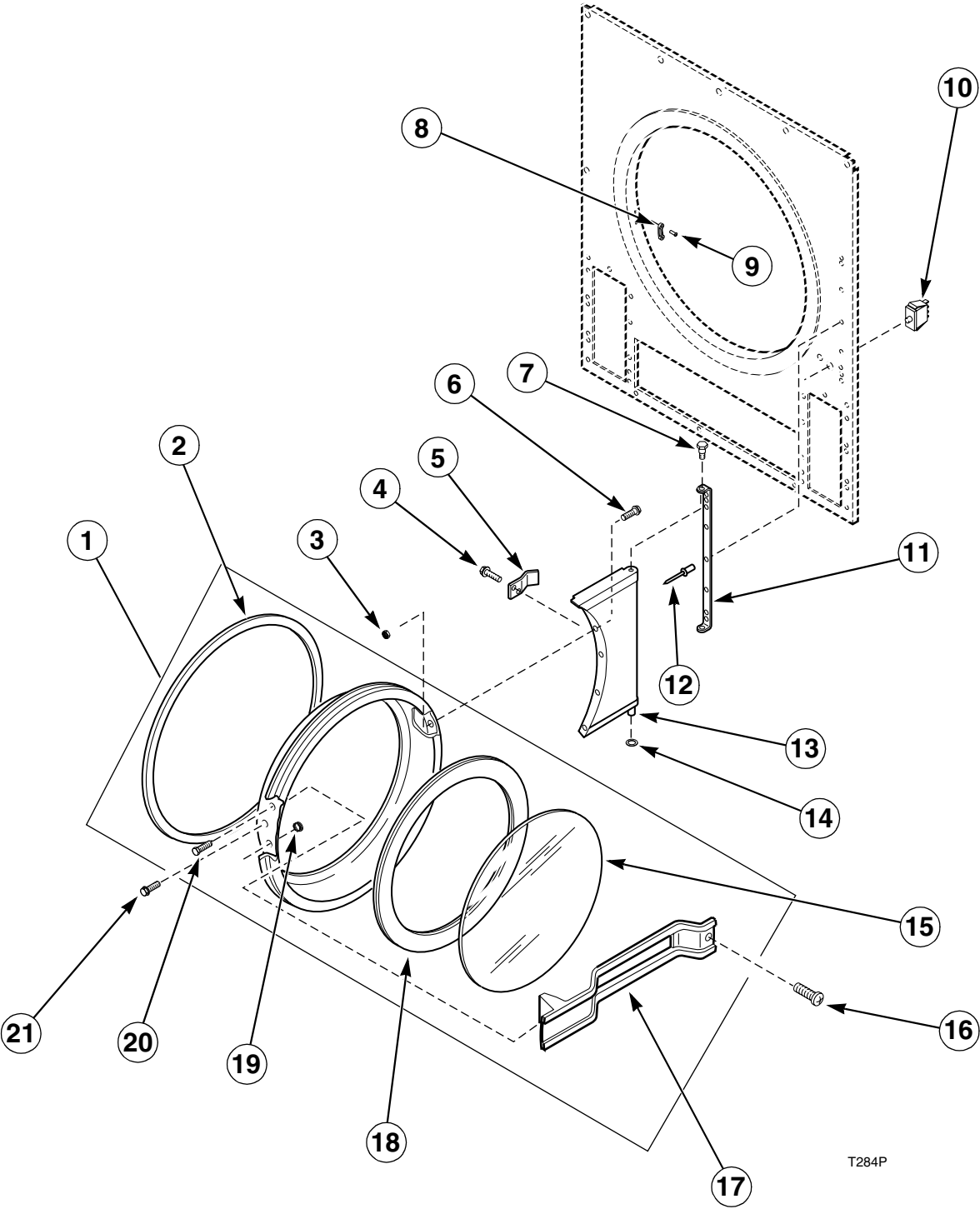


T283P

Side Panels

REF	PART NO.	DESCRIPTION	COMMENTS
1	M402542	Bushing	
2	430581	Bracket	
3	430043	Insulation	
4	430447	Bracket	
5	431049	Side Panel and Insulation	Right
6	27196	Hex Head Screw	
	431167	Torx Head Screw	
7	431045	Speed Nut	
8	28193	Screw	
9	M406103	Door Switch	Located on front panel prior to Serial No. DTCK0728885ZH
10	431118	Door Switch Bracket	
11	M400063	Leveling Leg	
12	431048	Side Panel and Insulation	Left

Loading Door



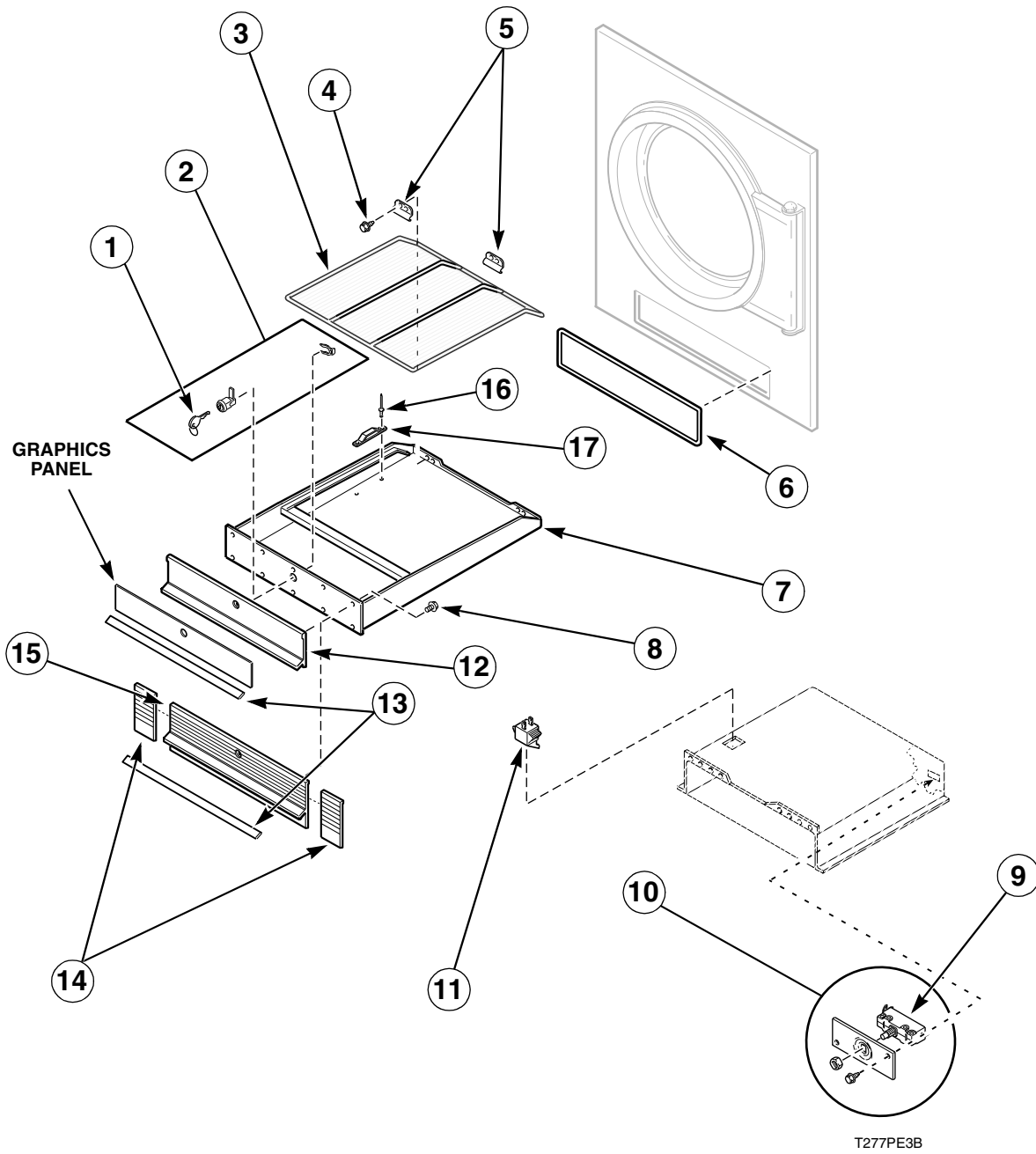
T284P

Loading Door

REF	PART NO.	DESCRIPTION	COMMENTS
1	430476	Door Assembly	
2	M406129	Door Gasket	
3	23951	Nut	
4	430497	Screw	
5	430432	Door Switch Tab	
6	M400044	Screw	
7	M400653	Hinge Pin	
8	M401223	Catch	
9	M400003	Rivet	
10	M406103	Door Switch	Located on side panel starting with Serial No. DTCK0728885ZH
11	431000*	Hinge Bracket	Painted, included with Front Panel
	431044	Hinge Bracket	Stainless Steel, included with Front Panel
12	M410762	Rivet	
13	M402714*	Door Hinge	Painted
	M400514	Door Hinge	Stainless Steel
14	M400675	Nylon Washer	
15	M400784	Door Glass	
16	M409385	Screw	
17	430459	Door Handle	
18	M400962	Door Glass Seal	
19	430649	Plug	
20	430756	Screw	
21	M400661	Screw	

* Add letter to designate color: L - Almond W - White V - Orange K - Red
 B - Battina Green H - Harvest Gold X - Electric Blue P - Turquoise

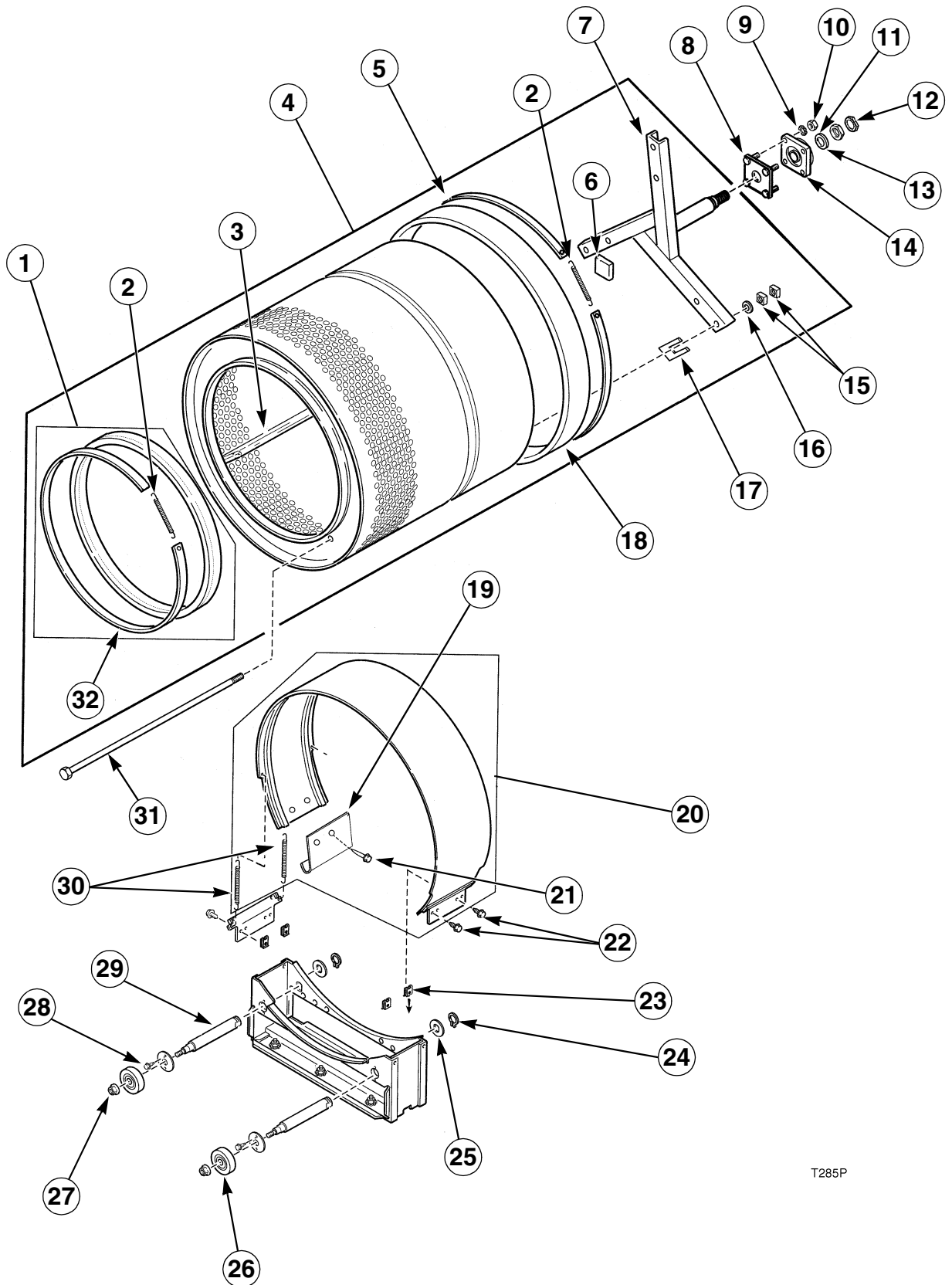
Lint Drawer



Lint Drawer

REF	PART NO.	DESCRIPTION	COMMENTS
1	430664	Key	
2	430429	Lock and Key	
3	430482	Lint Screen	Prior to Serial No. DTCK9308000527
	431215	Lint Screen	Starting with Serial No. DTCK9308000527
4	51780	Screw	
5	430126	Bracket	
6	430638	Seal	
7	430490	Lint Drawer	Prior to Serial No. DTCK9308000527
	431248	Lint Drawer	Starting with Serial No. DTCK9308000527
8	430757	Screw	
9	430540	Switch	
10	430473	Lint Drawer Switch and Plate	Prior to Serial No. DTCK9308000527
11	431159	Lint Drawer Switch	Starting with Serial No. DTCK9308000527
12	430385	Upper Front Plate	
13	430527	Label	
14	431001	Extension	Starting with Serial No. DTCK9308000527
15	430386	Lower Front Plate	Prior to Serial No. DTCK9308000527
	431003	Lower Front Plate	Starting with Serial No. DTCK9308000527
16	430489	Rivet	
17	431275	Actuator	Starting with Serial No. DTCK9308000527

Cylinder



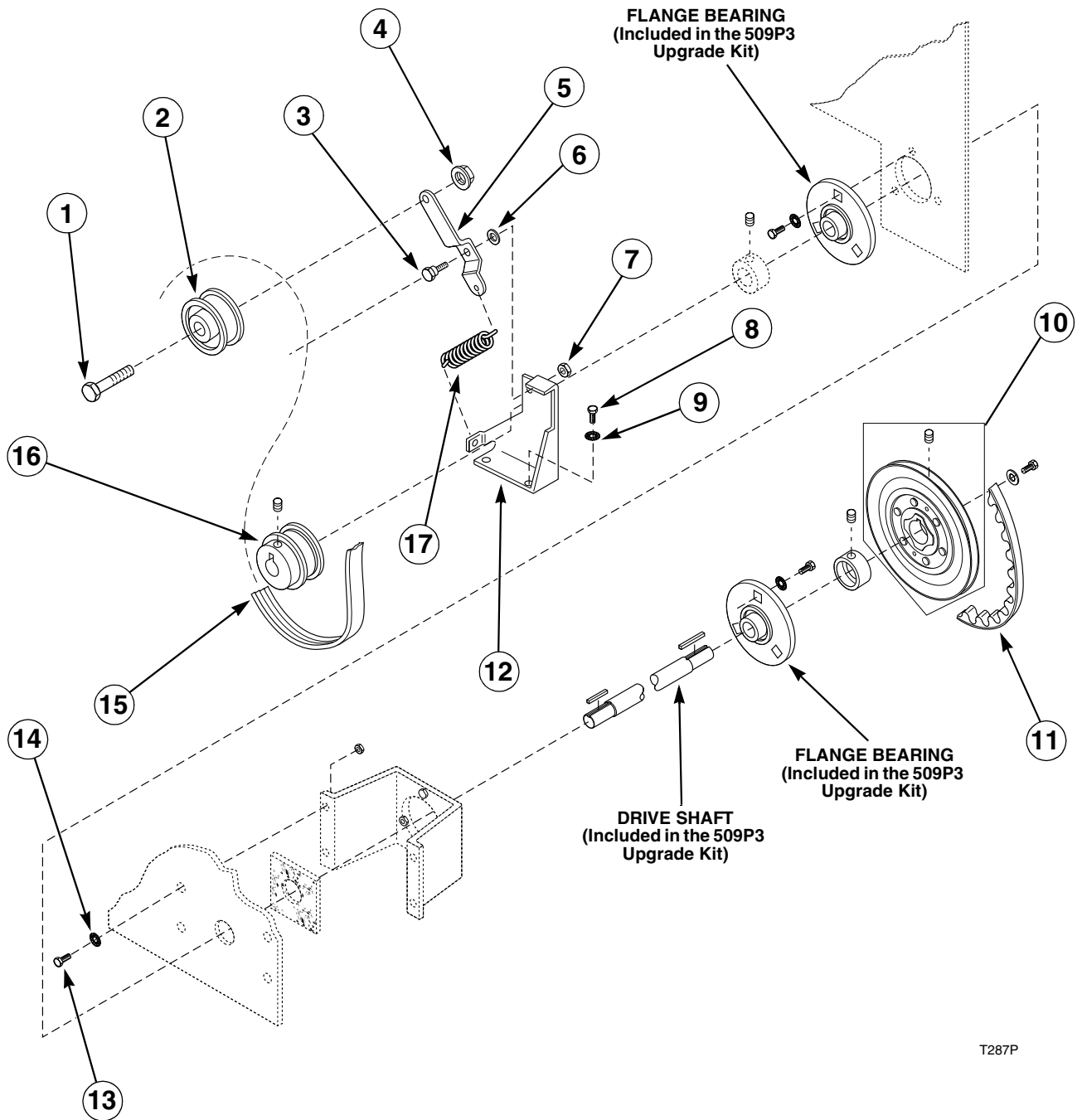
T285P

Cylinder

REF	PART NO.	DESCRIPTION	COMMENTS
1	430844P	Front Seal and Strap Kit	
2	52310	Spring	
3	430099	Cylinder Rib	
4	430580	Cylinder and Trunnion Assembly	
5	430355	Seal Strap	
6	M402144	Felt Pad	
7	430219	Trunnion Assembly	
8	430352	Stud Plate	
9	02834	Washer	
10	02428	Jam Nut	
11	M400022	Nut	
12	M400034	Pal Nut	
13	M400991	Washer	
14	430260	Cylinder Support Bearing Assembly	
15	M401930	Nut	
16	M410947	Washer	
17	M401402	Shim	
18	430105P	Rear Cylinder Seal with Adhesive	
19	431198	Bumper	
20	430884P	Sweep Sheet Kit	
21	M400003	Rivet	
22	33561	Screw	
23	430886	Speed Nut	4 Required
24	70061	Retaining Ring	2 Required
25	430427	Washer	2 Required
26	430019	Roller	2 Required
27	430576	Forge Nut	2 Required
28	431314	Retainer	2 Required
29	431315	Roller Shaft	2 Required
30	430954	Spring	
31	430155	Rib Rod	
32	430845	Seal Strap	

Drive Shaft

(Prior to Serial No. DTCK0696605YF)



T287P

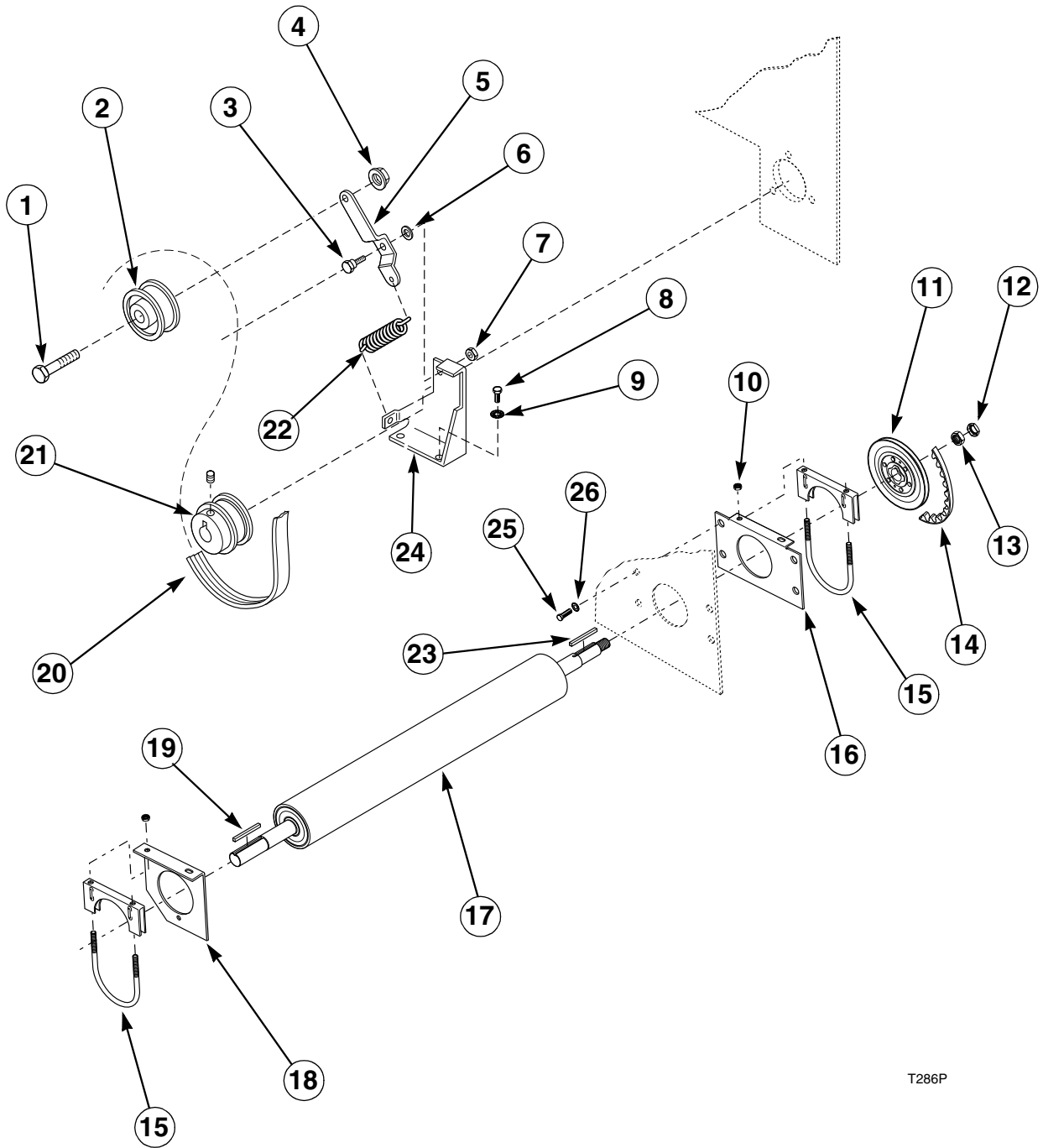
Drive Shaft

(Prior to Serial No. DTCK0696605YF)

REF	PART NO.	DESCRIPTION	COMMENTS
1	430648	Cap Screw	
2	430619	Idler Wheel	
3	431381	Shoulder Screw	
4	56156	Nut	
5	430263	Idler Arm	
6	430782	Washer	
7	52566	Nut	
8	02422	Screw	
9	91093	Washer	
10	430800P	Pulley with Set Screw	
11	430054	Belt	
12	430193	Bracket	
13	01355	Screw	
14	02834	Washer	
15	430104	Belt	
16	430050P	Sheave	
17	430301	Spring	

Drive Shaft

(Starting with Serial No. DTCK0696605YF)



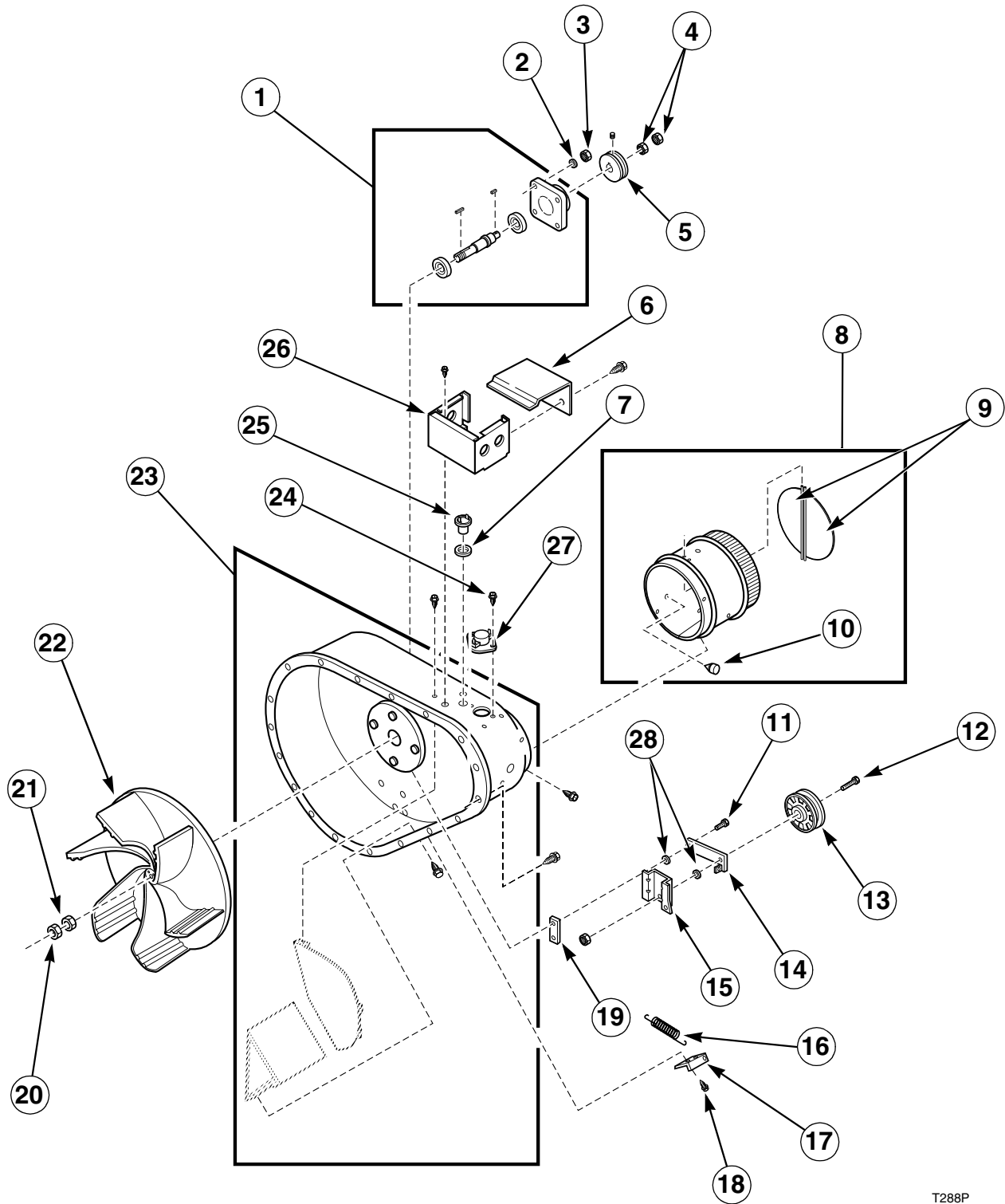
T286P

Drive Shaft

(Starting with Serial No. DTCK0696605YF)

REF	PART NO.	DESCRIPTION	COMMENTS
1	430648	Cap Screw	
2	430619	Idler Wheel	
3	431381	Shoulder Screw	
4	56156	Nut	
5	430263	Idler Arm	
6	430782	Washer	
7	52566	Nut	
8	02422	Screw	
9	91093	Washer	
10	80116	Nut	
11	430800P	Pulley with Set Screw	
12	M400034	Pal Nut	
13	M400022	Nut	
14	430054	Belt	
15	430862	U-Bolt Clamp	
16	430857	Rear Reinforcement Plate	
17	430867	Drive Shaft Assembly	
18	430856	Front Reinforcement Plate	
19	M401327	Key	
20	430104	Belt	
21	430050P	Sheave	
22	430301	Spring	
23	M400993	Key	
24	430193	Bracket	
25	01355	Screw	
26	02834	Washer	

Blower Housing and Fan

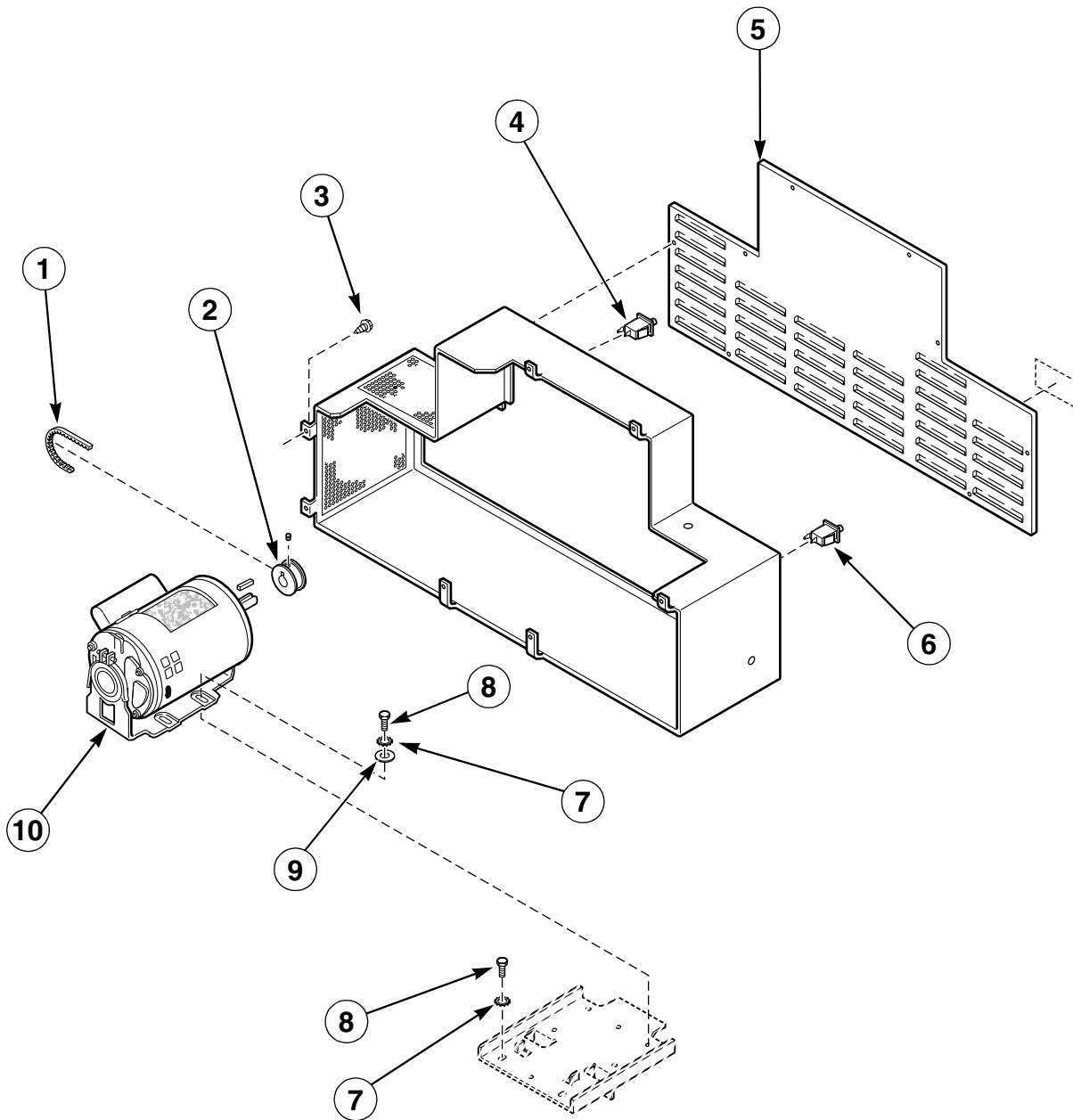


T288P

Blower Housing and Fan

REF	PART NO.	DESCRIPTION	COMMENTS
1	430958	Bearing Housing and Shaft Assembly	
2	02834	Washer	
3	02428	Nut	
4	430875	Nut	
5	430849	Sheave	
6	430339	Cover	
7	29443	Felt Washer	
8	430536	Thimble and Vane Assembly	
9	430534	Vane	2 Required
10	M400745	Rubber Bumper	
11	430346	Shoulder Screw	
12	430648	Screw	
13	430619	Idler Wheel	
14	430263	Idler Arm	
15	430193	Bracket	
16	430252	Spring	
17	430251	Tab	
18	27196	Screw	
19	430850	Spacer	
20	M400034	Pal Nut	
21	M400022	Jam Nut	
22	M410088P	Fan	
23	430061	Blower Housing	
24	23962	Screw	
25	M409114	Temperature Sensor	
26	430338	Side and Back Cover	
27	M406412	Limit Thermostat	
28	430782	Washer	

Motor and Belt Guard

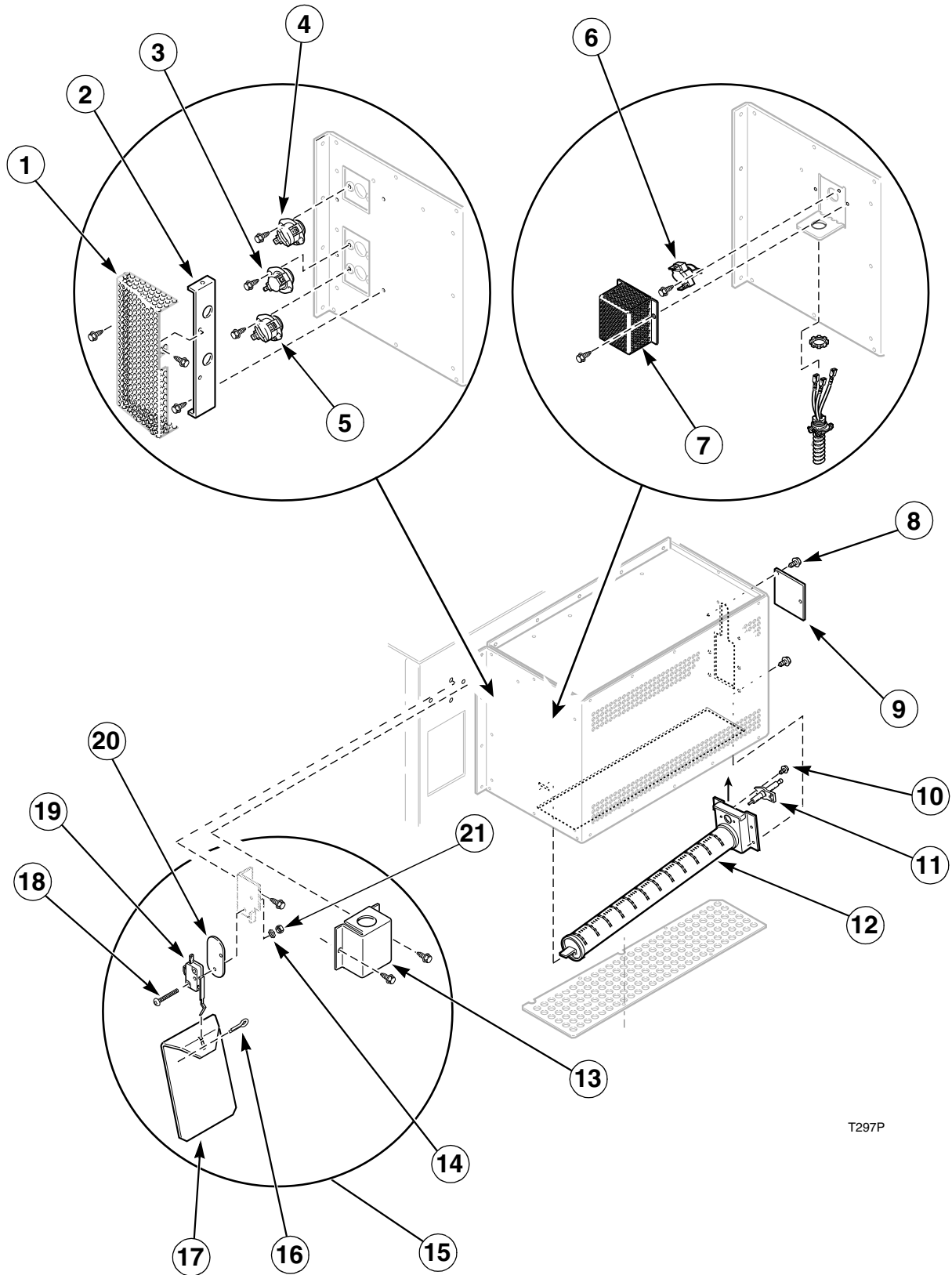


T289P

Motor and Belt Guard

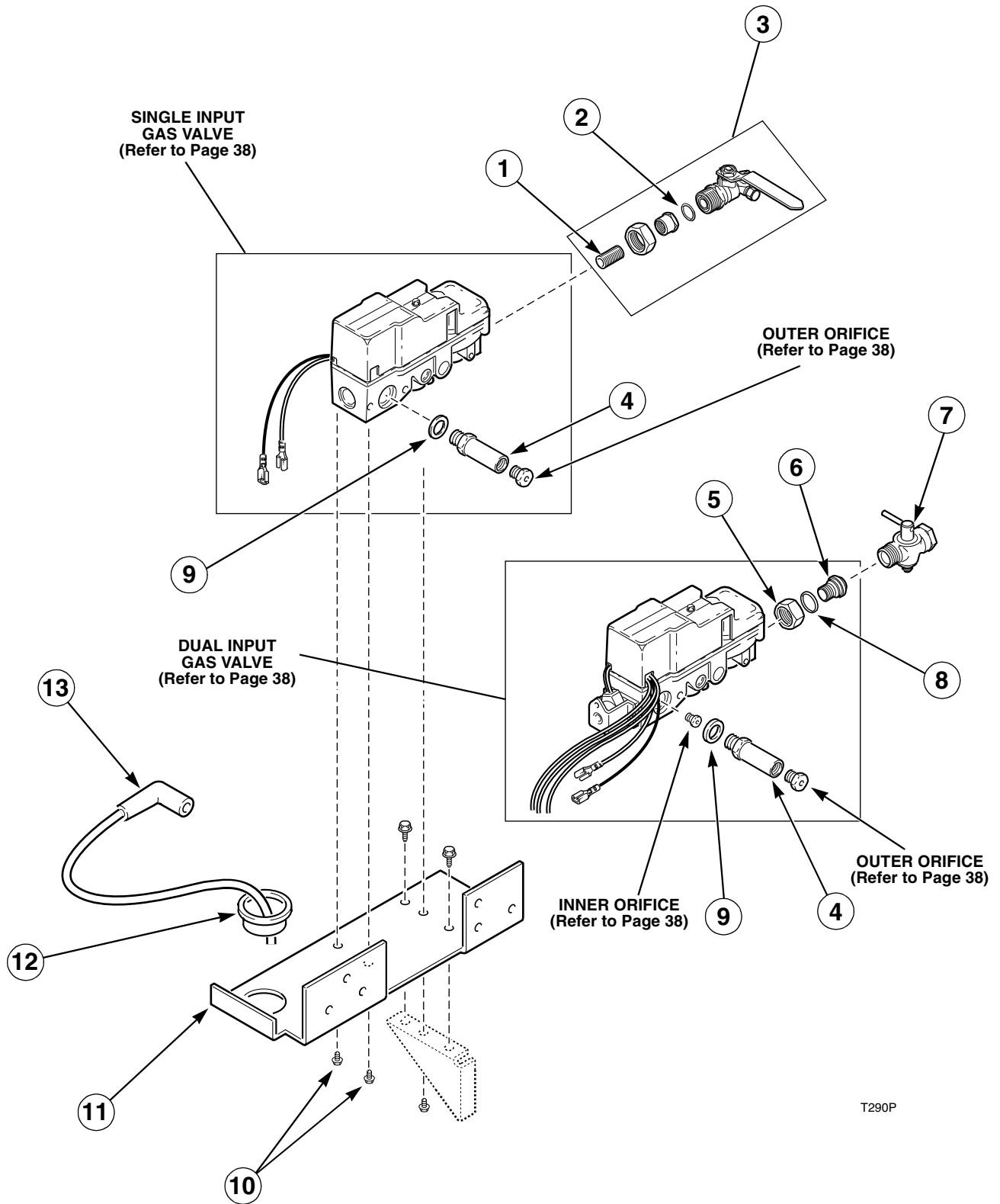
REF	PART NO.	DESCRIPTION	COMMENTS
1	430054	Belt	
2	430067	Motor Pulley	60 Hertz
	430668	Motor Pulley	50 Hertz
3	430497	Screw	
4	431159	Belt Guard Switch	Starting with Serial No. DTCK9308000527
5	430525	Belt Guard Cover	
6	430542	Belt Guard Switch	Prior to Serial No. DTCK9308000527
7	02834	Lockwasher	
8	01355	Bolt	
9	M400080	Washer	
10	431275	Motor	60 Hertz
	430426	Motor	50 Hertz

Thermostat and Burner



T297P

Gas Valve

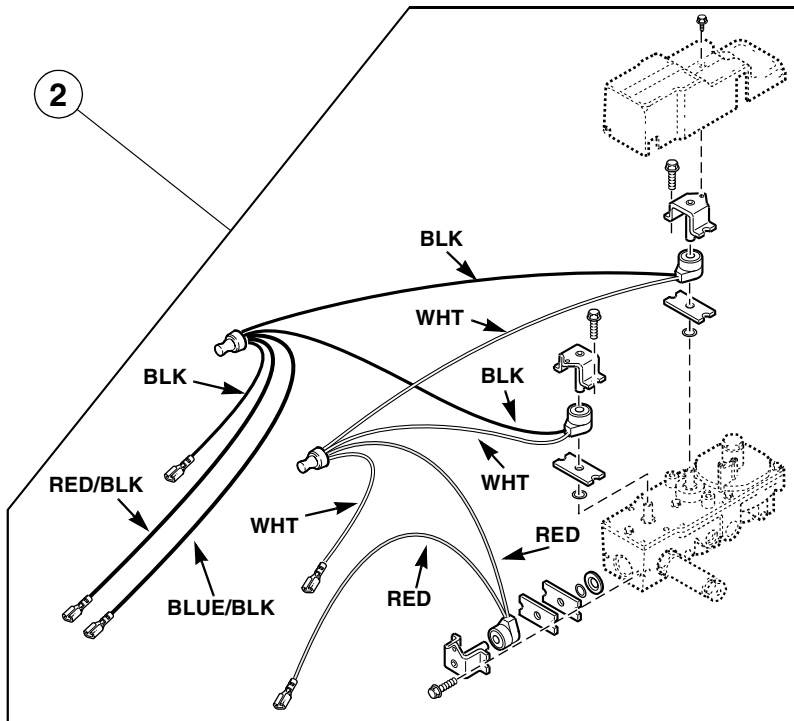
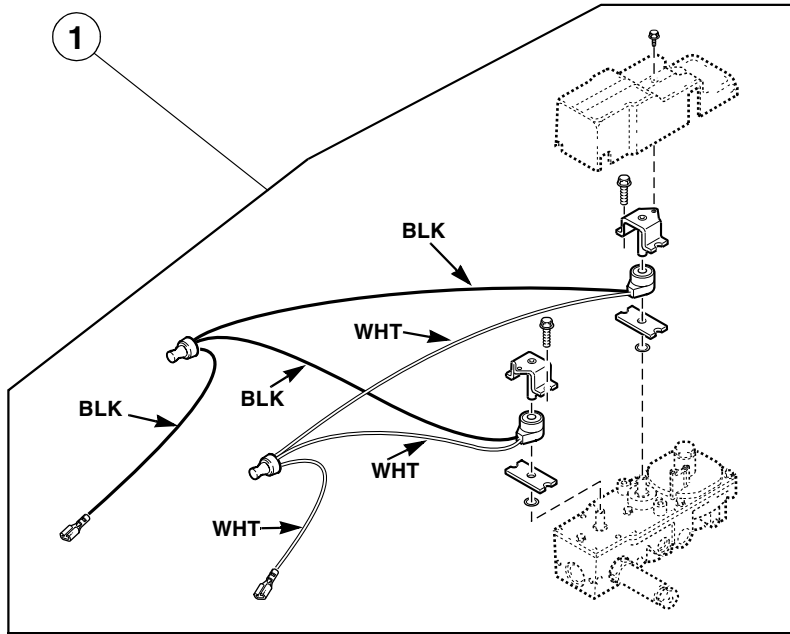


T290P

Gas Valve

REF	PART NO.	DESCRIPTION	COMMENTS
1	431206	Nipple	
2	431182A	O-Ring	
3	431182P	Gas Shut-Off Valve and Union	Starting with Serial No. DTCK930702934
4	430481	Gas Valve Spud	
5	M401549	Union Nut	Prior to Serial No. DTCK930702934
6	M406439	Union Nipple	Prior to Serial No. DTCK930702934
7	431182P	Gas Shut-Off Valve	
8	M400605	Anti-Torque Ring	Prior to Serial No. DTCK930702934
9	430586	Gas Valve Gasket	
10	23962	Screw	
11	430293	Gas Valve Bracket	
12	M402542	Bushing	
13	430257	High Voltage Lead	

Gas Valve Coils



T291P

Gas Valve Coils

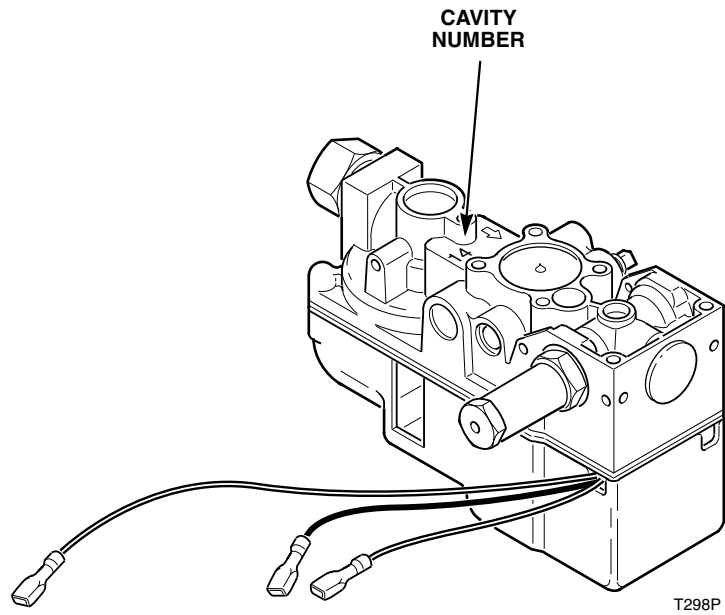
REF	PART NO.	DESCRIPTION	COMMENTS
1	M409253	Single Input Gas Valve Coils	Starting with Serial No. DTCK9211033714
2	430690	Dual Input Gas Valve Coils	60 Hertz, Prior to Serial No. DTCK9211033714
	430691	Dual Input Gas Valve Coils	50 Hertz, Prior to Serial No. DTCK9211033714

Orifice Sizing for Stacked Tumbler Gas Valves

FIRING RATE VALVE TYPE		75,000 BTU DUAL INPUT VALVES						63,000 BTU DUAL INPUT VALVES						63,000 BTU SINGLE INPUT VALVES		
Natural Gas Valves		60 Hertz/Natural Gas Valve Part No. 430650 50 Hertz/Natural Gas Valve Part No. 430657						60 Hertz/Natural Gas Valve Part No. 430894 50 Hertz/Natural Gas Valve Part No. 430896						60 Hertz/Nat. Gas Valve Part No. 431072 50 Hertz/Nat. Gas Valve Part No. 431074		
L.P. (Liquefied Petroleum) Valves		60 Hertz/L.P. Gas Valve Part No. 430656 50 Hertz/L.P. Gas Valve Part No. 430658						60 Hertz/Natural Gas Valve Part No. 430895 50 Hertz/Natural Gas Valve Part No. 430897						60 Hertz/L.P. Gas Valve Part No. 431073 50 Hertz/Nat. Gas Valve Part No. 431075		
		Prior to Serial No. DTCK0714594ZA						Serial No. DTCK0714594ZA through DTCK9211033713						Starting with Serial No. DTCK9211033714		
Gas Type	Altitude	Outer Orif.	Dec. Size	Part No.	Inner Orif.	Dec. Size	Part No.	Outer Orif.	Dec. Size	Part No.	Inner Orif.	Dec. Size	Part No.	Outer Orif.	Dec. Size	Part No.
Nat. Gas	0 – 2000	#13	(.1850)	430773	1/8"	(.1250)	430654	†			#30	(.1285)	430898	#24	(.1520)	431191
	2001 – 4000	#16	(.1770)	430960	#31	(.1200)	430760	#21	(.1590)	430935	1/8"	(.1250)	430654	#26	(.1470)	431192
	4001 – 6000	#17	(.1730)	430961	#32	(.1160)	430763	#22	(.1570)	430936	#31	(.1200)	430760	#27	(.1440)	430938
	6001 – 8000	#18	(.1695)	430933	#33	(.1130)	430963	#25	(.1495)	430937	#32	(.1160)	430763	#28	(.1405)	431207
	8001 – 10000	#20	(.1610)	430962	#34	(.1110)	430765	#27	(.1440)	430938	#34	(.1110)	430765	#29	(.1360)	431193
L.N.G.	L.N.G. 0 – 2000	-						#22	(.1570)	430936	#31	(.1200)	430760	#27	(.1440)	430938
Town Gas	Town Gas (L.P.) 0 – 2000	-						#V	(.3770)	431174	-	-	-	#V	(.3770)	431174
L.P.	0 – 2000	#37	(.1040)	430736	#47	(.0785)	430655	3/32"	(.0938)	431010	#45	(.0820)	430893	3/32"	(.0938)	431010
	2001 – 4000	#39	(.0995)	430768	#48	(.0760)	430761	#43	(.0890)	430892	#47	(.0785)	430655	#43	(.0890)	430892
	4001 – 6000	#41	(.0960)	430770	#49	(.0730)	430762	#43	(.0890)	430892	#48	(.0760)	430761	#43	(.0890)	430892
	6001 – 8000	#42	(.0935)	430772	#50	(.0700)	430764	#44	(.0860)	430939	#48	(.0760)	430761	#44	(.0860)	430939
	8001 – 10000	#43	(.0890)	430774	#51	(.0670)	430766	#46	(.0810)	430941	#49	(.0730)	430762	#46	(.0810)	430941
Town Gas	Town Gas 0 – 2000	-						#A	(.2340)	431130	-	-	-	-	-	-
Gas Conversion Kits		Dual Input Valves						Dual Input Valves						Single Input Valves		
Nat. Gas to L.P.		474P3						514P3						563P3		
L.P. to Nat. Gas		475P3						513P3						550P3		

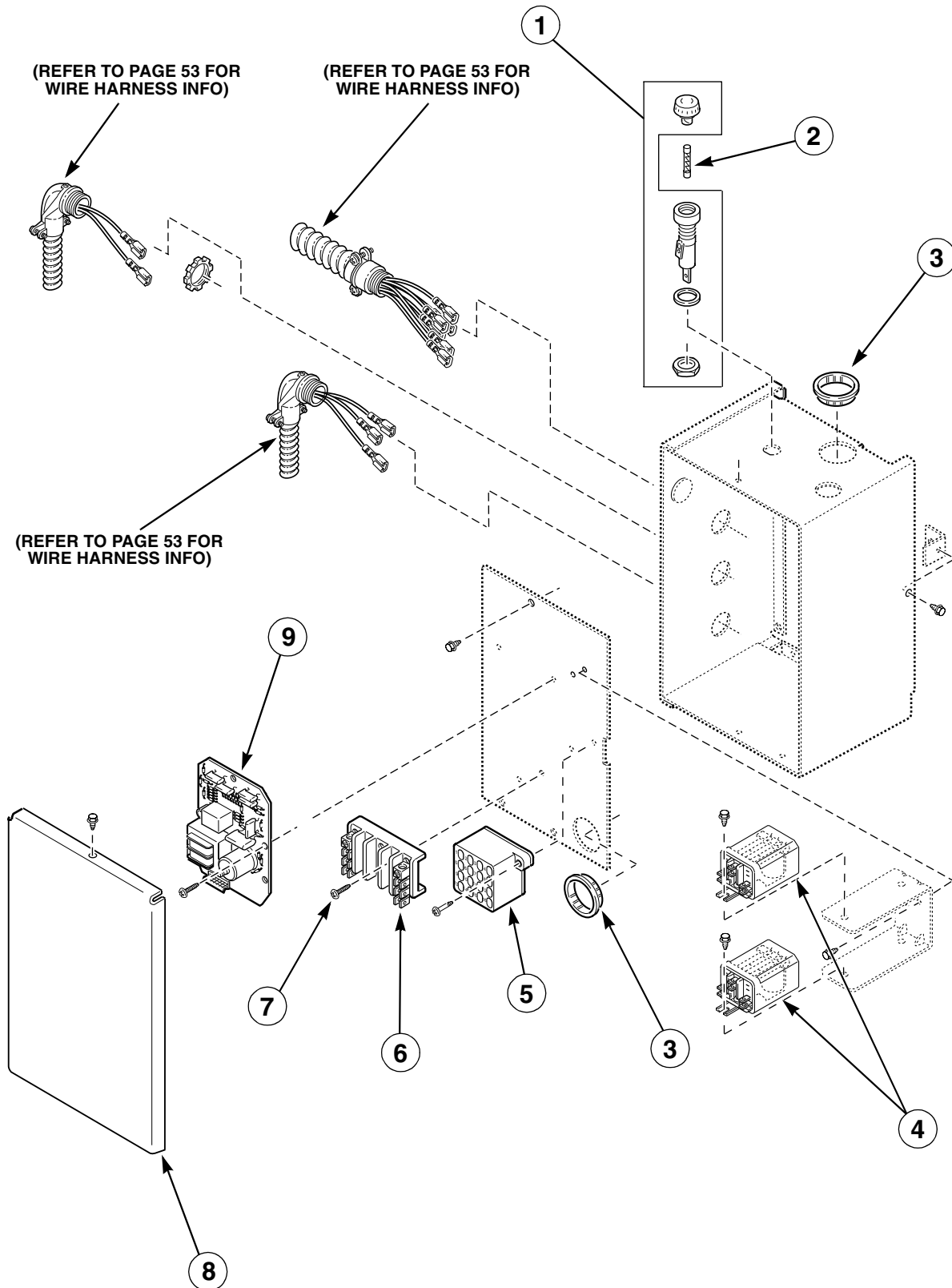
† Check Gas Valve Cavity Number for proper outer orifice part number. (Refer to illustration on next page.)

CAVITY NO.	ORIFICE PART NO.	ORIFICE SIZE
#12	430993	#18 Drill (.1695)
#13	430891	#19 Drill (.1660)
#14	430891	#19 Drill (.1660)



120/208-240 Volt, 60 Hertz Junction Box

(Prior to Serial No. DTCK9211033714)



T299P

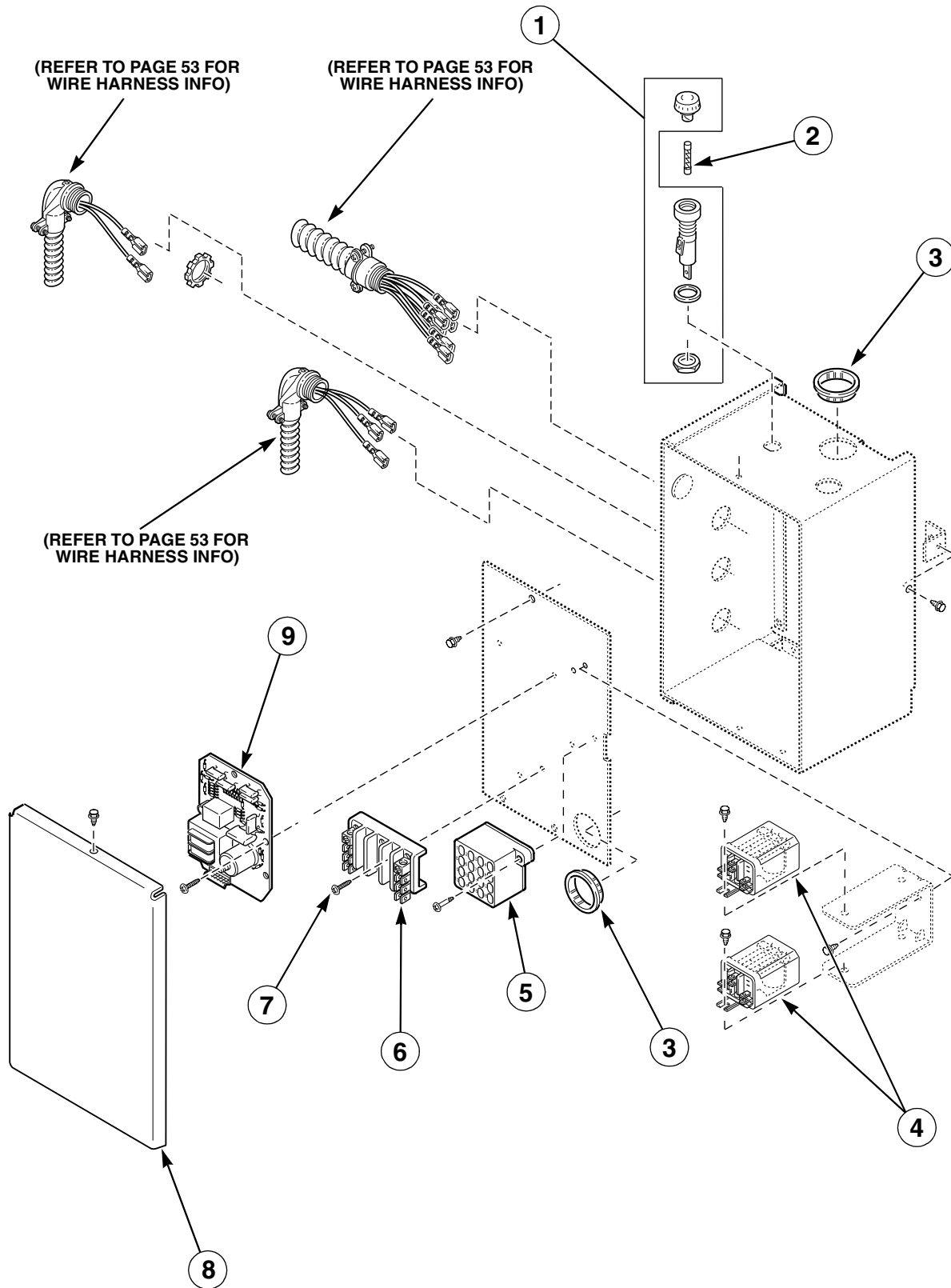
120/208-240 Volt, 60 Hertz Junction Box

(Prior to Serial No. DTCK9211033714)

REF	PART NO.	DESCRIPTION	COMMENTS
1	91024	Fuse Holder	Located in Upper Junction Box only
2	M409997	Fuse	Located in Upper Junction Box only
3	M402542	Bushing	
4	430528	Relay	
5	430639	Jumper Block	
6	430641	Terminal Block	120 Volt
	430642	Terminal Block	208-240 Volt
7	H88213574	Screw	
8	430554	Cover	
9	M406789	IEI Control	

240 Volt, 50 Hertz Junction Box

(Prior to Serial No. DTCK9211033714)



T299P

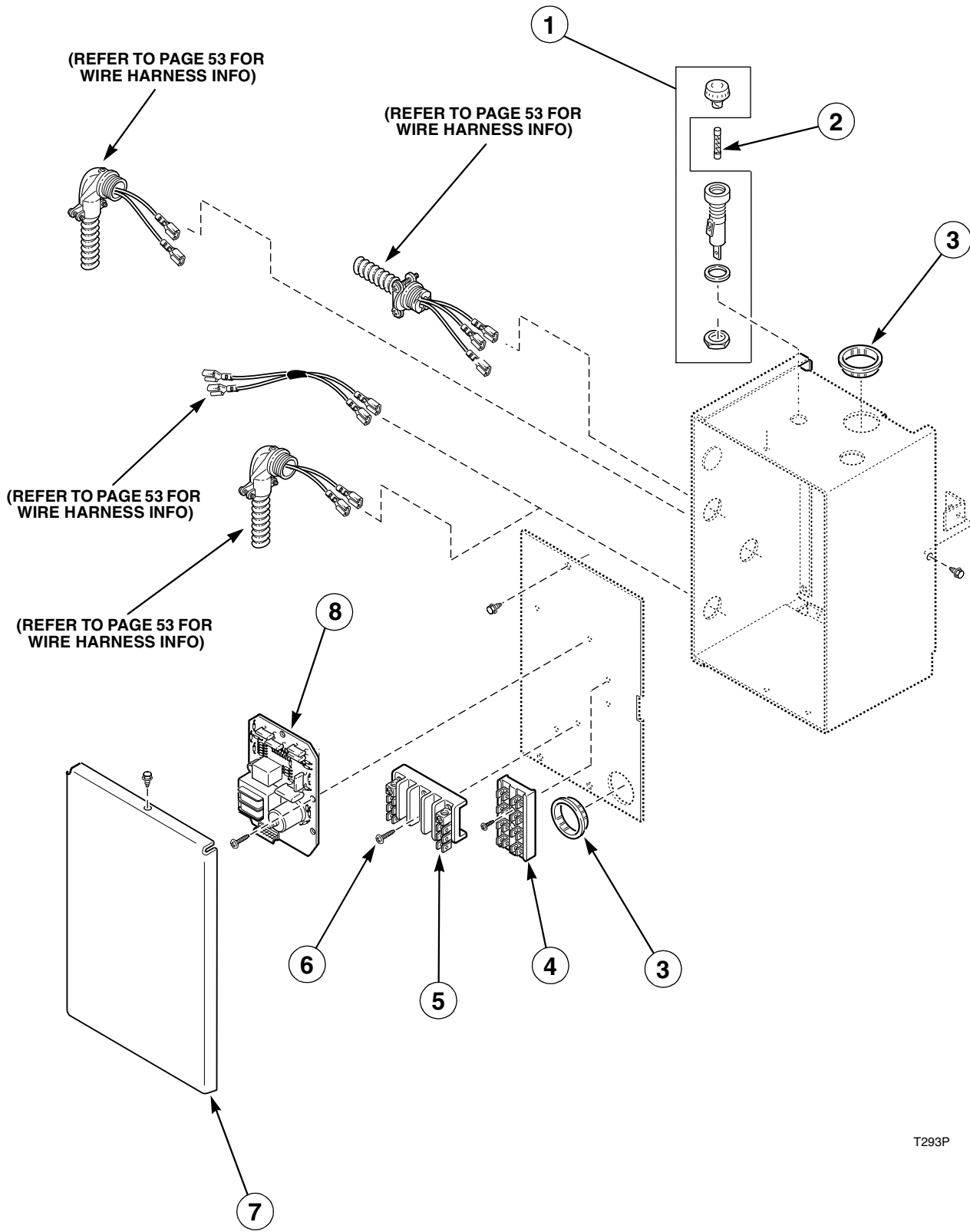
240 Volt, 50 Hertz Junction Box

(Prior to Serial No. DTCK9211033714)

REF	PART NO.	DESCRIPTION	COMMENTS
	430739	Capacitor	Located in Upper Junction Box only
	430743	Capacitor Boot	Located in Upper Junction Box only
	430740	Capacitor Bracket	Located in Upper Junction Box only
	430789	Terminal Block	
	430738	Transformer	Located in Upper Junction Box only
	430746	Relay	
1	91024	Fuse Holder	Located in Upper Junction Box only
2	M409997	Fuse	Located in Upper Junction Box only
3	M402542	Bushing	
4	430528	Relay	
5	430639	Jumper Block	
6	430641	Terminal Block	
7	H88213574	Screw	
8	430554	Cover	
9	M406789	IEI Control	

120/208-240 Volt, 60 Hertz Junction Box

(Starting with Serial No. DTCK9211033714)



T293P

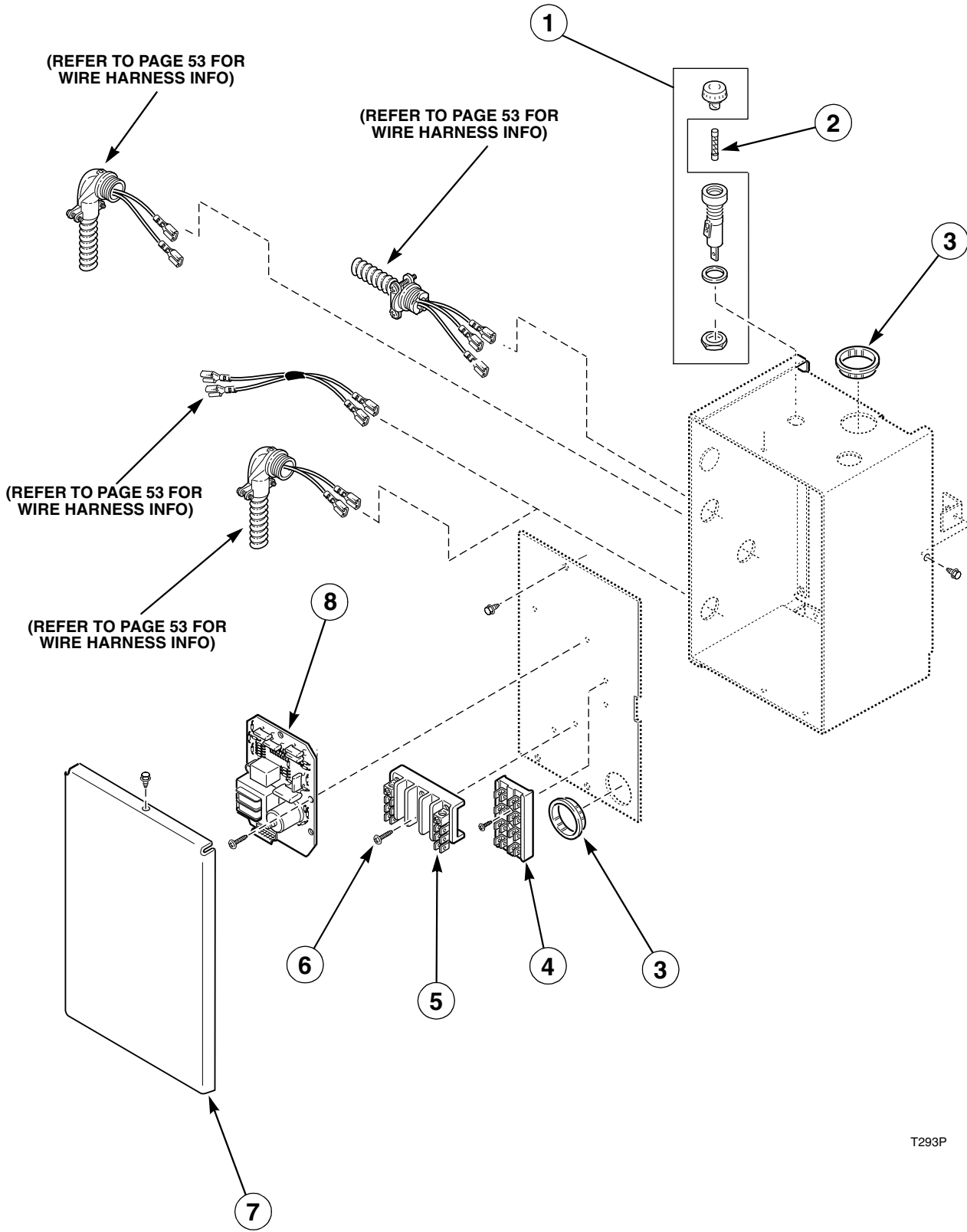
120/208-240 Volt, 60 Hertz Junction Box

(Starting with Serial No. DTCK9211033714)

REF	PART NO.	DESCRIPTION	COMMENTS
1	91024	Fuse Holder	Located in Upper Junction Box only
2	M409997	Fuse	Located in Upper Junction Box only
3	M402542	Bushing	
4	431331	Jumper Block	
5	430641	Terminal Block	120 Volt
	430642	Terminal Block	208-240 Volt
6	H88213574	Screw	
7	430554	Cover	
8	M406789	IEI Control	

240 Volt, 50 Hertz Junction Box

(Starting with Serial No. DTCK9211033714)



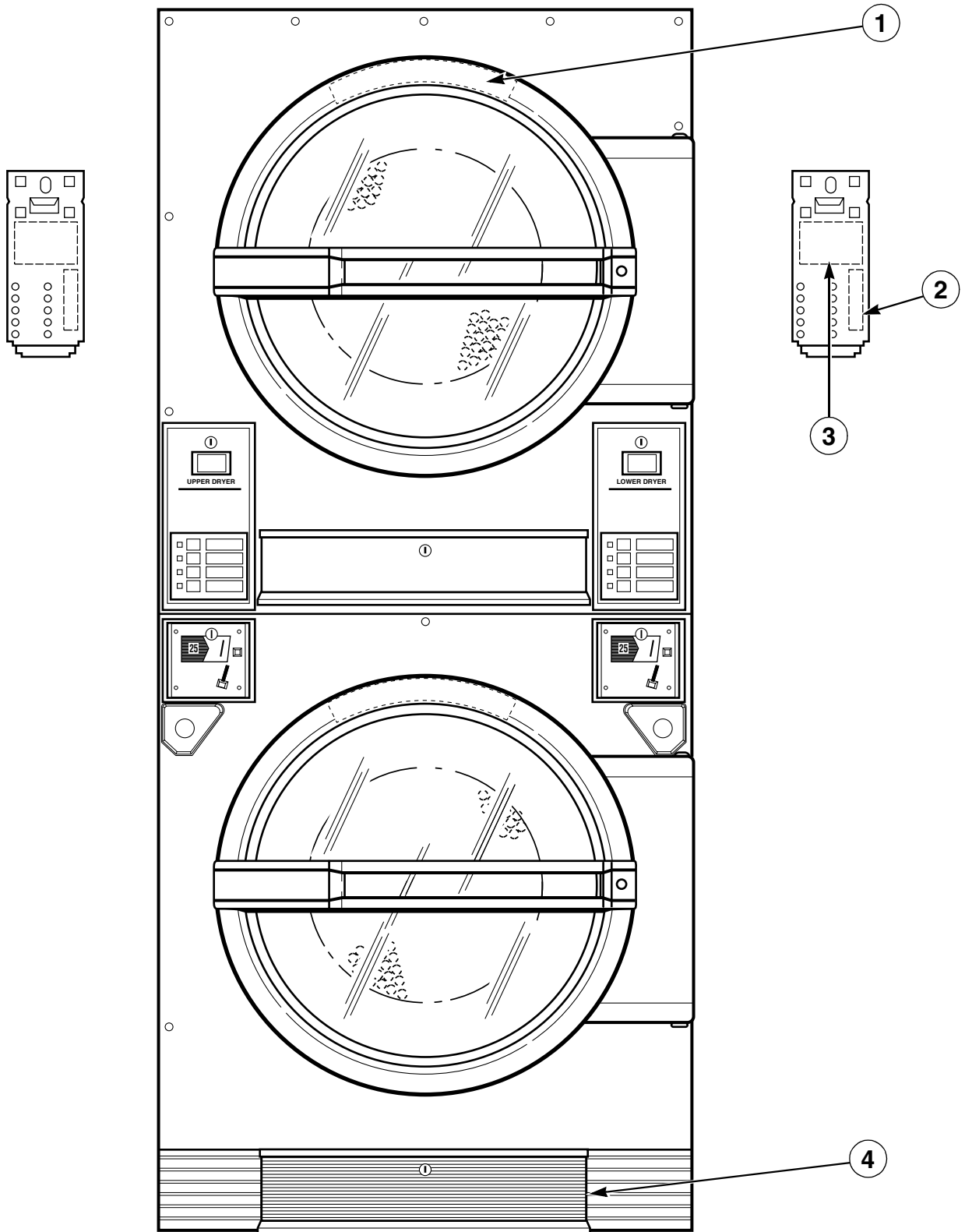
T293P

240 Volt, 50 Hertz Junction Box

(Starting with Serial No. DTCK9211033714)

REF	PART NO.	DESCRIPTION	COMMENTS
	430739	Capacitor	Located in Upper Junction Box only
	430743	Capacitor Boot	Located in Upper Junction Box only
	430740	Capacitor Bracket	Located in Upper Junction Box only
	430789	Terminal Block	
	430738	Transformer	Located in Upper Junction Box only
	430746	Relay	
1	91024	Fuse Holder	Located in Upper Junction Box only
2	430836	Fuse	Located in Upper Junction Box only
3	M402542	Bushing	
4	431331	Jumper Block	
5	430641	Terminal Block	
6	H88213574	Screw	
7	430554	Cover	
8	M406789	IEI Control	

Stickers and Labels – Front

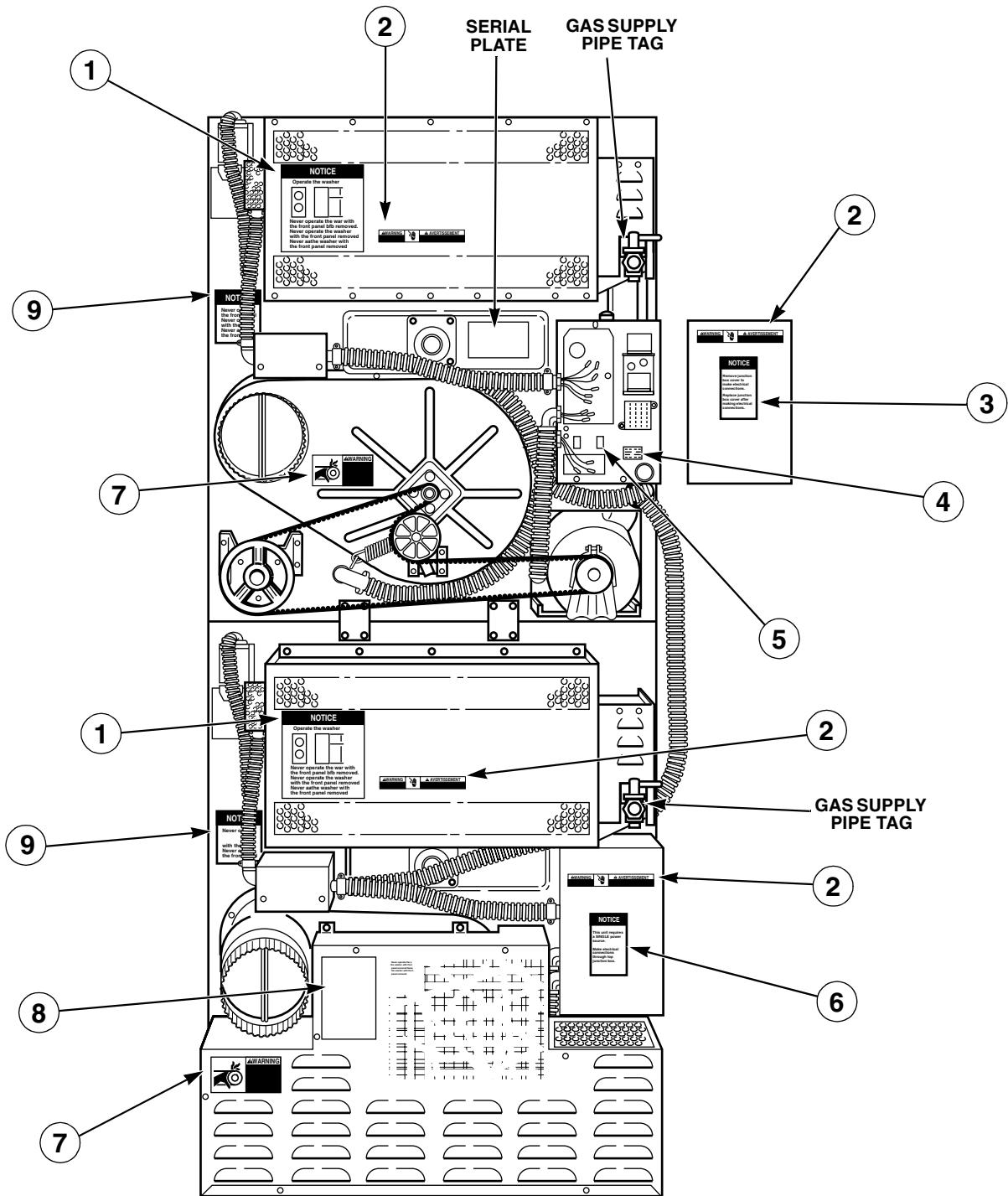


T294P

Stickers and Labels – Front

REF	PART NO.	DESCRIPTION	COMMENTS
1	M410892	Drying Warning	Located on front panel behind door
2	430596	Microprocessor Display Temperature Label	Located on back of micro door
3	430291	Microprocessor Programming Label	Located on back of micro door
4	500316	Warning	Located under lint drawer

Stickers and Labels – Rear



T295P

Stickers and Labels – Rear

REF	PART NO.	DESCRIPTION	COMMENTS
1	430138R1	Installation Notice	
2	500316	Warning Sticker	
3	430444	Junction Box Notice	
4	M403047	Electrical Ground Marker	
5	M405159	Wire Marker	
6	430445	Single Power Source Notice	
7	430377	Belt Guard Warning	
8	M411815	Venting Warning Label	
9	430446	Thimble Notice	

Coin Drop Assemblies

PART NO.	DESCRIPTION	COMMENTS
431029	Dime and Quarter (U.S.)	Dual Drop
431032	20 Pence and 50 Pence (England)	Dual Drop
431034	20c and 50c (Australian)	Dual Drop
431037	Five Belgian Franc and 20 Belgian Franc	Dual Drop
431038	Quarter and Dollar [Loon] (Canadian)	Dual Drop
430467	Quarter (U.S.)	Single Drop
430605	Token STD – 118 – 1 (.800DiaX.065)	Single Drop
430606	Quarter (Canadian)	Single Drop
430607	100 Yen (Japan)	Single Drop
430609	Two French Franc	Single Drop
430866	\$5.00 Piece (Hong Kong)	Single Drop
430874	Token STD – 118 – 5 (.990DiaX.064)	Single Drop
431126	500 Won (Korea)	Single Drop

Wire Harnesses

(For all Model D32DG-MC Manufactured before January 1, 1994)

PART NO.	DESCRIPTION	SERIAL NO. RANGE
431063	Air Flow Switch Harness	DTCK9211033714 through DTCK9401011756
431061	Cabinet High Limit Harness	DTCK9211033714 through DTCK9401011756
430343	Dual Coin Drop Harness	All through DTCK9401011756
430257	High Voltage Lead	All through DTCK9401011756
430223	IEI Board Harness	All through DTCK9401011756
430727	Main Lower Harness – 120 Volt, 50-60 Hertz	All through DTCK0728884ZH
431082	Main Lower Harness – 120 Volt, 50-60 Hertz	DTCK9211033714 through DTCK9302024774
431053	Main Lower Harness – 208-240 Volt, 60 Hertz	All through DTCK9211033713
431088	Main Lower Harness – 208-240 Volt, 60 Hertz	DTCK9211033714 through DTCK9302040179
431306	Main Lower Harness – 208-240 Volt, 60 Hertz	DTCK9308000527 through DTCK9401011756
430787	Main Lower Harness – 240 Volt, 50 Hertz	All through DTCK0728884ZH
431055	Main Lower Harness – 240 Volt, 50 Hertz	DTCK0728885ZH through DTCK9211033713
431067	Main Lower Harness – 240 Volt, 50 Hertz	DTCK9211033714 through DTCK9302014184
431308	Main Lower Harness – 240 Volt, 50 Hertz	
430726	Main Upper Harness – 120 Volt, 50-60 Hertz	All through DTCK0728884ZH
430966	Main Upper Harness – 120 Volt, 50-60 Hertz	DTCK0728885ZH through DTCK9211033713
431081	Main Upper Harness – 120 Volt, 50-60 Hertz	DTCK9211033714 through DTCK9302024774
431251	Main Upper Harness – 120 Volt, 50-60 Hertz	DTCK9302024775 through DTCK9308000526
430566	Main Upper Harness – 208-240 Volt, 60 Hertz	All through DTCK0728884ZH
431052	Main Upper Harness – 208-240 Volt, 60 Hertz	DTCK0728885ZH through DTCK9211033713
431090	Main Upper Harness – 208-240 Volt, 60 Hertz	DTCK9211033714 through DTCK9302040179
431305	Main Upper Harness – 208-240 Volt, 60 Hertz	
430786	Main Upper Harness – 240 Volt, 50 Hertz	All through DTCK0728884ZH
431054	Main Upper Harness – 240 Volt, 50 Hertz	DTCK0728885ZH through DTCK9211033713
431066	Main Upper Harness – 240 Volt, 50 Hertz	DTCK9211033714 through DTCK9302014184
431307	Main Upper Harness – 240 Volt, 50 Hertz	
430221	Motor Harness – 120 Volt, 50-60 Hertz	All through DTCK9401011756
430222	Motor Harness – 208-240 Volt, 60 Hertz	All through DTCK9401011756
430788	Motor Harness – 240 Volt, 50 Hertz	All through DTCK9211033713
431257	Motor Harness – 240 Volt, 50 Hertz	DTCK9211033714 through DTCK9401011756
430843	Safety Switch Harness	All through DTCK9211033713
430613	Single Coin Drop Harness	All through DTCK9401011756
431062	Stove High Limit Harness	DTCK9211033714 through DTCK9401011756

Parts Index

A

Actuator	
431275	21
Air Flow Switch	
430371	33
Air Flow Switch Assembly	
430369	33
Air Flow Switch Cover	
430367	33
Air Flow Switch Vane	
430372	33
Anti-Torque Ring	
M400605	35

B

Bearing Housing and Shaft Assembly	
430958	29
Belt	
430054	25, 27, 31
430104	25, 27
Belt Guard Cover	
430525	31
Belt Guard Switch	
430542	31
431159	31
Belt Guard Warning	
430377	51
Blower Housing	
430061	29
Bolt	
01355	31
Bracket	
430126	21
430193	25, 27, 29
430447	17
430581	17
Bumper	
431198	23
Burner	
430506	33
Burner Plate Cover	
430375	33
Bushing	
M402542	17, 35, 41, 43, 47

C

Cap Screw	
430648	25, 27
Capacitor	
430739	43, 47
Capacitor Boot	
430743	43, 47
Capacitor Bracket	
430740	43, 47

Carriage Bolt	
430837	9
Catch	
M401223	13, 15, 19
Clip	
M400972	13, 15
430535	5, 7
Coin Chute	
430228	13
Coin Chute Bracket	
430451	13
430452	13
Coin Drop Assembly	
430467	52
430605	52
430606	52
430607	52
430609	52
430866	52
430874	52
431029	52
431032	52
431034	52
431037	52
431038	52
431126	52
Coin Drop Shadow Box	
430995	13
Coin Switch	
M412095	5, 7
81312G	7
Coin Vault	
430972	15
430982	15
Coin Vault Bracket	
430382	13
Coin Vault Shadow Box	
430548	13, 15
Cotter Pin	
02470	33
Cover	
M400845	33
430339	29
430550	33
430554	41, 43, 47
Cover Plate	
81312L	5, 7
Cylinder and Trunnion Assembly	
430580	23
Cylinder Rib	
430099	23
Cylinder Support Bearing Assembly	
430260	23

D

Door Assembly	
430476	19
Door Gasket	
M406129	19

Door Glass	
M400784	19
Door Glass Seal	
M400962	19
Door Handle	
430459	19
Door Hinge	
M400514	19
M402714	19
Door Switch	
M406103	17, 19
Door Switch Bracket	
431118	17
Door Switch Tab	
430432	19
Drive Shaft Assembly	
430867	27
Drying Warning	
M410892	49
Dual Input Gas Valve Coils	
430690	37
430691	37

E

Electrical Ground Marker	
M403047	51
Extension	
431001	21

F

Fan	
M410088P	29
Felt Pad	
M402144	23
Felt Washer	
29443	29
Forge Nut	
430576	23
Front Panel – Lower	
431143	15
431170	13
431222	15
431324	13
Front Panel – Upper	
431142	15
431169	13
431221	15
431323	13
Front Reinforcement Plate	
430856	27
Front Seal and Strap Kit	
430844P	23
Fuse	
M409997	41, 43
430836	47
Fuse Holder	
91024	41, 43, 47

G

Gas Shut-Off Valve	
431182P	35
Gas Shut-Off Valve and Union	
431182P	35
Gas Valve Bracket	
430293	35
Gas Valve Gasket	
430586	35
Gas Valve Spud	
430481	35
Gasket	
430274	11
Graphics Panel	
430906	11
430908	11

H

Hex Head Screw	
27196	17
430497	33
Hex Nut	
H88410030	33
20275	9
High Limit Thermostat	
430387	33
431177	33
High Voltage Lead	
430257	35
Hinge Bracket	
431000	13, 15, 19
431044	13, 15, 19
Hinge Pin	
M400653	19

I

Idler Arm	
430263	25, 27, 29
Idler Wheel	
430619	25, 27, 29
IEI Control	
M406789	41, 43, 47
Igniter	
430317	33
Installation Notice	
430138R1	51
Instruction Plate	
M406303	9
Insulation	
H96418728	33
430043	17

J

Jam Nut	
M400022	29
02428	23
Jumper Block	
430639	41, 43
431331	47
Junction Box Notice	
430444	51

K

Key	
M400993	27
M401327	27
430664	5, 7, 11, 21

L

Label	
430527	21
Lens	
430561	11
Leveling Leg	
M400063	17
Limit Thermostat	
M406412	29
Lint Drawer	
430490	21
431248	21
Lint Drawer Switch	
431159	21
Lint Drawer Switch and Plate	
430473	21
Lint Screen	
430482	21
431215	21
Lock	
430671	5, 7
430832	11
Lock and Key	
430429	21
Lockwasher	
H88512561	33
02377	9
02834	31
Lower Front Plate	
430386	21
431003	21

M

Manual Start Assembly	
430799	9
Microprocessor	
430640P	11, 13, 15
Microprocessor Display Temperature Label	
430596	49

Microprocessor Door Assembly	
430905	11
430907	11
Microprocessor Programming Label	
430291	49
Microprocessor Shadow Box	
431326	13, 15
Motor	
430426	31
431275	31
Motor Pulley	
430067	31
430668	31

N

Nipple	
431206	35
Nut	
M400022	23, 27
M401930	23
02428	29
23951	15, 19
430875	29
52566	25, 27
56156	25, 27
80116	27
Nylon Washer	
M400675	19

O

O-Ring	
431182A	35
Outer Front Plate	
430974	9

P

Pal Nut	
M400034	23, 27, 29
Plug	
430460	13
430649	19
Program Instructions	
430291	11
Pulley with Set Screw	
430800P	25, 27
Push Button	
81312J	5, 7

R

Rear Cylinder Seal with Adhesive	
430105P	23
Rear Reinforcement Plate	
430857	27
Rejector	
M412094	5, 7
81312D	7

Relay	
430528	41, 43
430746	43, 47
Reset Thermostat	
430539	33
Retainer	
431314	23
Retaining Bolt	
431114	9
Retaining Ring	
70061	23
Rib Rod	
430155	23
Rivet	
M400003	13, 15, 19, 23
M410762	13, 15, 19
430489	13, 21
Roller	
430019	23
Roller Shaft	
431315	23
Round Head Screw	
M401938	33

S

Screw	
H88213574	41, 43, 47
M400044	19
M400661	19
M409385	19
01355	25, 27
02422	25, 27
23962	29, 35
27196	29
28193	17
33561	23
430449	13
430497	19, 31
430648	29
430756	19
430757	21
431027	15
51780	21
56693	33
Seal	
430638	13, 15, 21
Seal Strap	
430355	23
430845	23
Service Soon Light	
430562	11
Sheave	
430050P	25, 27
430849	29
Shim	
M401402	23
Shoulder Screw	
431381	25, 27

Side and Back Cover	
430338	29
Side Cover	
430549	33
Side Panel and Insulation	
431048	17
431049	17
Single Input Gas Valve Coils	
M409253	37
Single Power Source Notice	
430445	51
Spacer	
430850	29
Speed Nut	
430886	23
431045	17
Spring	
430252	29
430301	25, 27
430954	23
52310	23
81312K	5, 7
Square Nut	
M401930	9
Step Down Thermostat	
430729	33
Sticker	
430596	11
Stud Plate	
430352	23
Sweep Sheet Kit	
430884P	23
Switch	
430540	21
Switch Plate	
81637	9

T

Tab	
430251	29
Temperature Sensor	
M409114	29
Terminal Block	
430641	41, 43, 47
430642	41
430789	43, 47
Thimble and Vane Assembly	
430536	29
Thimble Notice	
430446	51
Torx Head Screw	
431167	17
431287	33
Transformer	
430738	43, 47
Trunnion Assembly	
430219	23

U

U-Bolt Clamp 430862	27
Union Nipple M406439	35
Union Nut M401549	35
Upper Front Plate 430385	21

V

Vane 430534	29
Venting Warning Label M411815	51

W

Warning 500316	49
Warning Sticker 500316	51
Washer M400080	31
M400991	23
M410947	23
02834	23, 25, 27, 29
430427	23
430782	25, 27, 29
91093	25, 27
Wire Harness 430343	7
430613	5
Wire Harness Kit 430330P	11
Wire Marker M405159	51

Free Manuals Download Website

<http://myh66.com>

<http://usermanuals.us>

<http://www.somanuals.com>

<http://www.4manuals.cc>

<http://www.manual-lib.com>

<http://www.404manual.com>

<http://www.luxmanual.com>

<http://aubethermostatmanual.com>

Golf course search by state

<http://golfingnear.com>

Email search by domain

<http://emailbydomain.com>

Auto manuals search

<http://auto.somanuals.com>

TV manuals search

<http://tv.somanuals.com>