

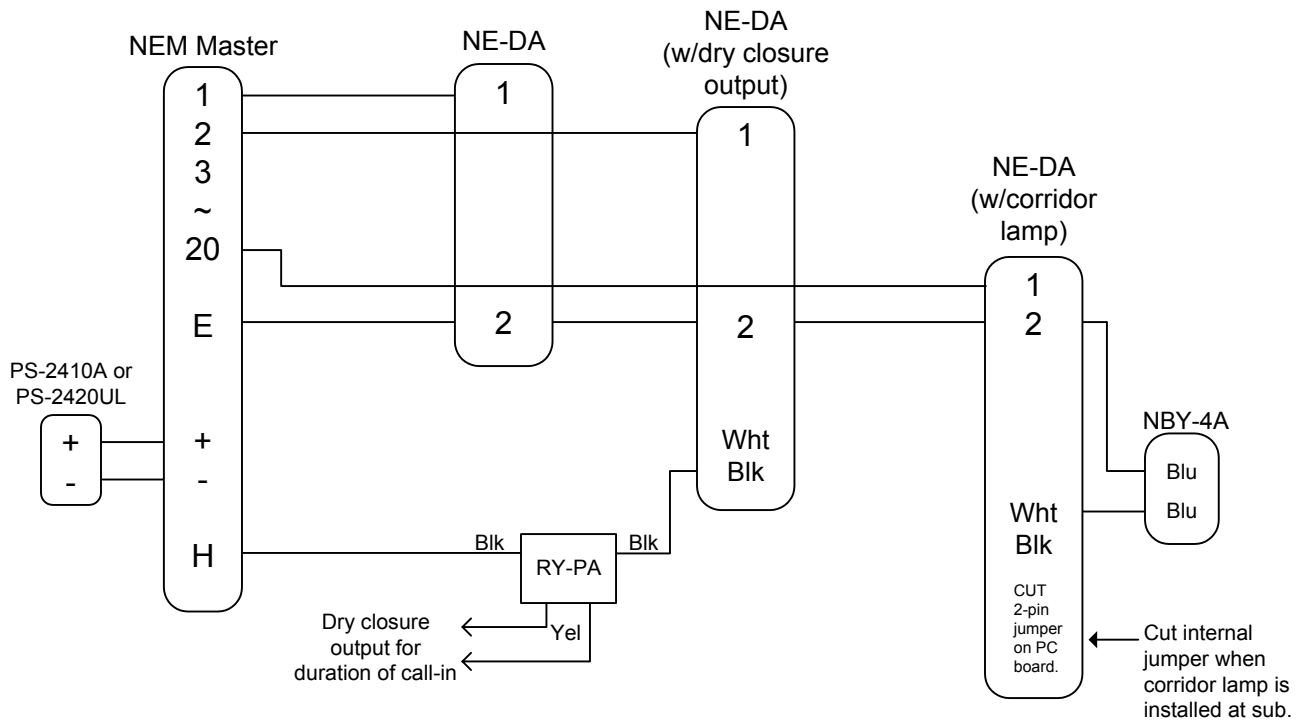
# NE-DA

## Weather Resistant Door Station for NEM System

### - INSTRUCTIONS -

The NE-DA is a weather resistant door station designed for use with the NEM, NDR, or NDRM systems. The unit is equipped with an option for an external output contact closure when the sub station places a call (relay required). The NE-DA is weather resistant and surface mounts on a 1-gang box.

### WIRING DIAGRAM:



### NOTES:

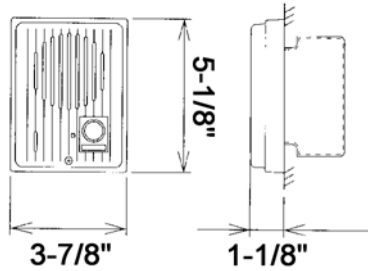
1. The NE-DA can have the external closure option, the corridor lamp, or both connected.
2. If not using the extra contact closure or corridor lamp option, there is no need to plug in the BLK/WHT wire connector that is included with each unit.
3. When including a corridor lamp, *open unit and cut 2-pin jumper on component side of PC board*. Plug BLK/WHT wire connector into 2-pin socket. Connect NBY-4A to white wire and 2 terminal on sub station.
4. When using the extra contact, plug BLK/WHT wire connector into 2-pin socket. Connect input (coil) of relay to H of master and black wire at sub. (Do not cut 2-pin jumper when only using extra contact.)
5. The dry closure will stay activated from the time the call is placed until it is answered at the master station. The RY-PA is a 12V DC, "normally open" relay. If a "normally closed" contact is required, the RY-PA can be changed to N/C, or a standard 12V DC, N/C relay can be used.

### TERMINAL DEFINITIONS:

- 1, 2: Call-in and communication
- White: Corridor lamp activation
- Black: External relay activation

## DIMMENSIONS:

### NE-DA



## OPERATION:

1. To place a call, press call button on door station once. The call-in tone and LED will be lit on the master station, remaining activated until answered. The LED on the door station will be lit to indicate a call has been placed.
2. When the master station answers, a brief pretone will be heard. Speak into the door station hands free.
3. When the call is completed, the person at the master will press the OFF button and communication will be cut off. The person at the remote station does nothing.
4. If a corridor lamp is included, the lamp will be lit from the time the call is placed until it is answered.
5. If a relay is included at the remote station to provide an extra dry closure, the closure will be activated from the time the call is placed until it is answered. This extra contact can be wired to an alarm device, or to a CCTV switcher to activate a camera.
6. When using this system for camera call-up and if the camera is to remain activated during communication with a remote station, use the NDR or NDRM master station in place of the standard NEM master station. The NDR/NDRM provides selective outputs for camera control.

## SPECIFICATIONS:

Power Source:	Supplied by master station
Speaker:	20 ohms
Call Annunciation:	Pressing call button at remote latches call at NEM master until answered
Communication:	Hands free at sub. Master is push-to-talk or VOX handset.
Mounting:	Surface mount to 1-gang box or directly to wall.
Wiring:	2 conductors homerun; or 1 common plus 1 individual per sub, looped through each sub. Shielded cable is recommended. Use Aiphone #822202 or #821802 for homerun wiring, #822206 for up to 5 stations on each run, or #822210 for up to 9 stations on each run.
Wiring Distance:	420' with 22AWG; 1,000' with 18AWG.
Dimensions:	5-1/8"H x 3-7/8"W x 1-1/8"D

## RY-PA

Coil Rating:	12V DC, supplied by H terminal of master
Contact Rating:	110V AC, 1A, or up to 24V DC, 1A

### TOLL FREE TECHNICAL SUPPORT:

## Free Manuals Download Website

<http://myh66.com>

<http://usermanuals.us>

<http://www.somanuals.com>

<http://www.4manuals.cc>

<http://www.manual-lib.com>

<http://www.404manual.com>

<http://www.luxmanual.com>

<http://aubethermostatmanual.com>

Golf course search by state

<http://golfingnear.com>

Email search by domain

<http://emailbydomain.com>

Auto manuals search

<http://auto.somanuals.com>

TV manuals search

<http://tv.somanuals.com>