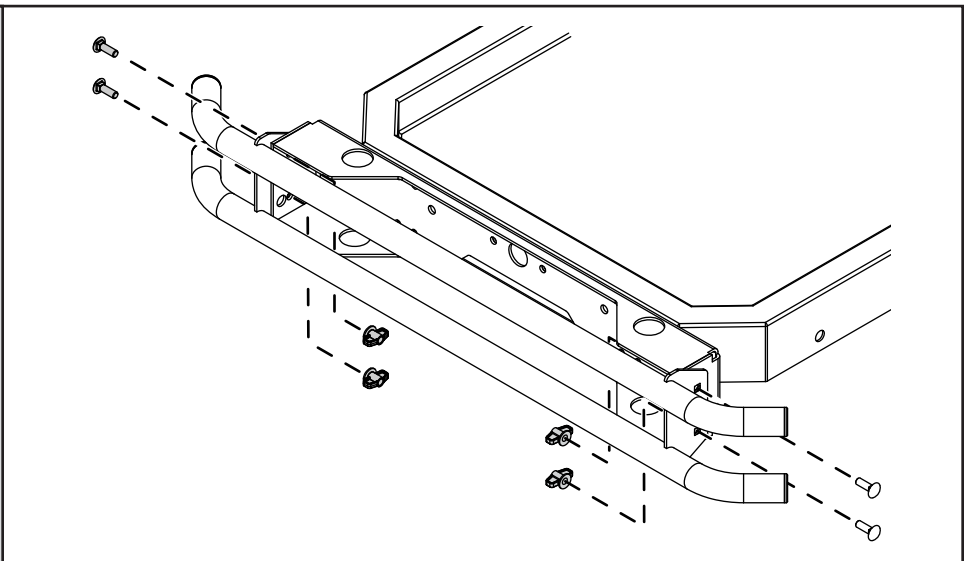
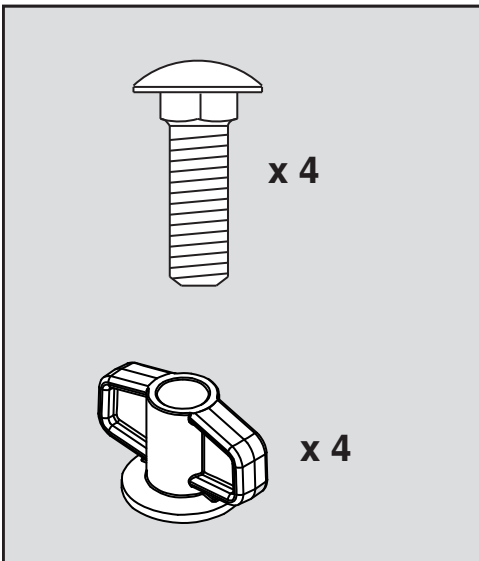
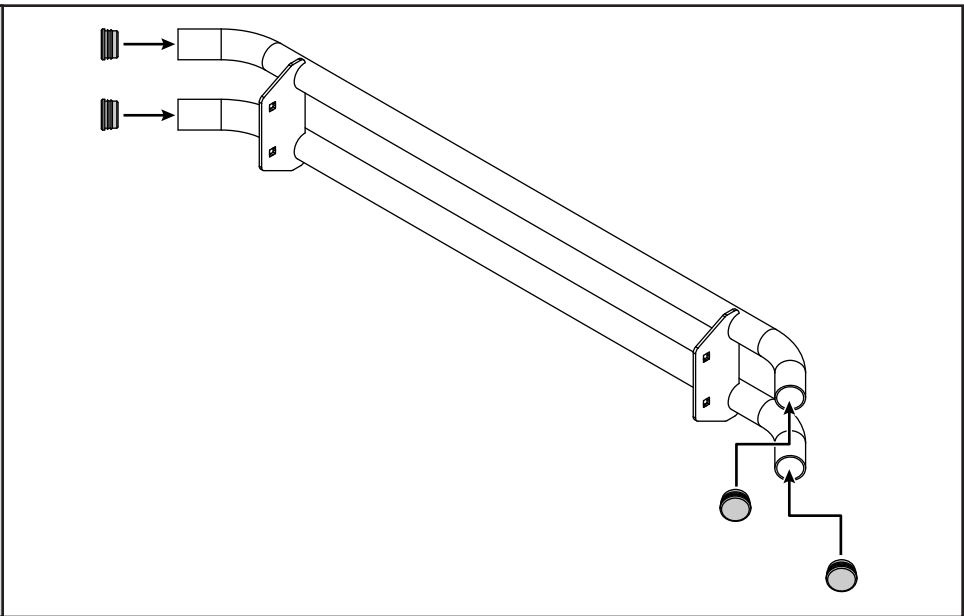
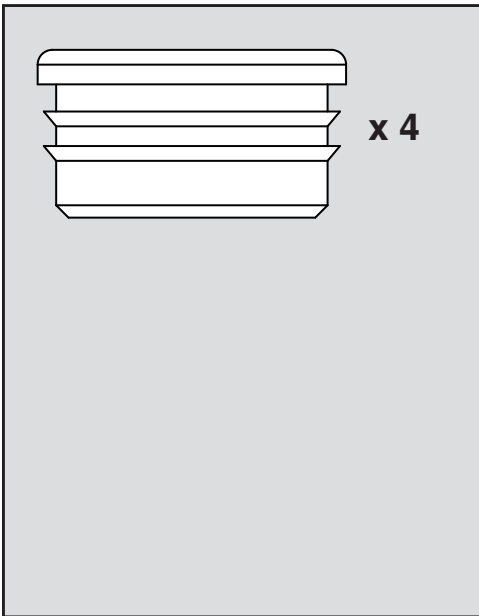
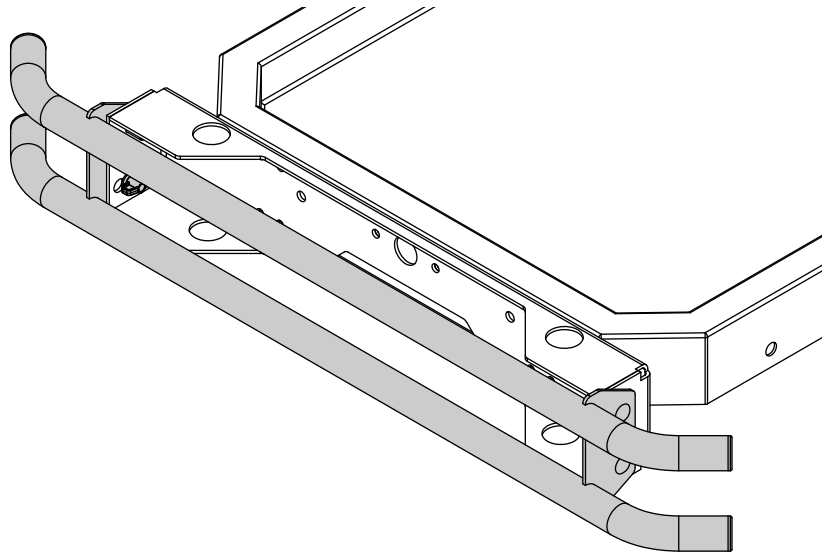
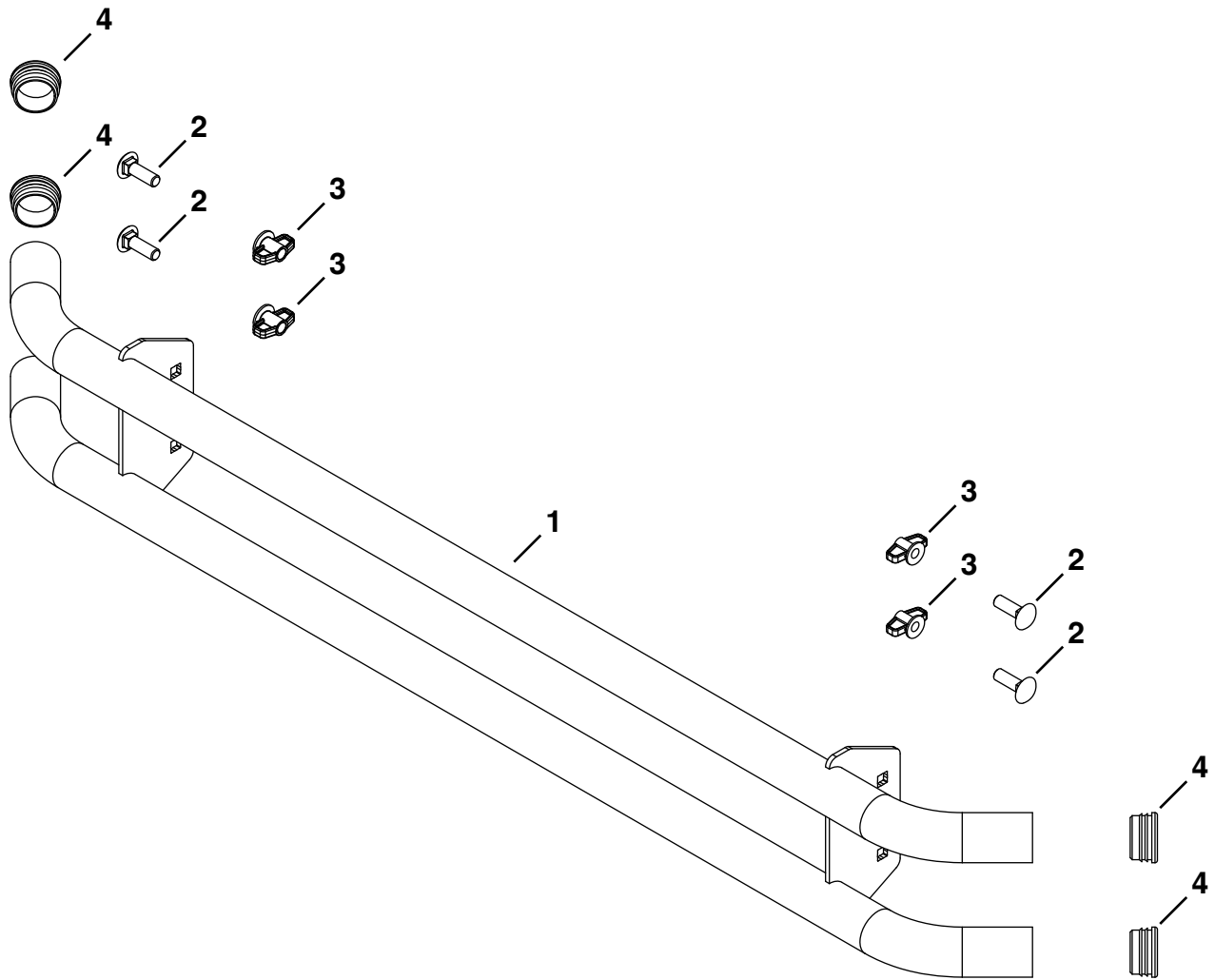


**Model No.
45-0461**

BUMPER



REPAIR PARTS FOR 45-0461 BUMPER



REF	QTY	PART NO	DESCRIPTION	REF	QTY	PART NO	DESCRIPTION
1	1	66344	Bumper	4	4	47674	Plug
2	4	44326	Carriage Bolt, 5/16-18 x 1"		1	40980	Owners Manual
3	4	712-0421	Plastic Wing Nut, 5/16-18				

Free Manuals Download Website

<http://myh66.com>

<http://usermanuals.us>

<http://www.somanuals.com>

<http://www.4manuals.cc>

<http://www.manual-lib.com>

<http://www.404manual.com>

<http://www.luxmanual.com>

<http://aubethermostatmanual.com>

Golf course search by state

<http://golfingnear.com>

Email search by domain

<http://emailbydomain.com>

Auto manuals search

<http://auto.somanuals.com>

TV manuals search

<http://tv.somanuals.com>