

A62900GSW0
A62900GSX0

EN FREEZER

USER MANUAL

FOR PERFECT RESULTS

Thank you for choosing this AEG product. We have created it to give you impeccable performance for many years, with innovative technologies that help make life simpler – features you might not find on ordinary appliances. Please spend a few minutes reading to get the very best from it.

ACCESSORIES AND CONSUMABLES

In the AEG webshop, you'll find everything you need to keep all your AEG appliances looking spotless and working perfectly. Along with a wide range of accessories designed and built to the high quality standards you would expect, from specialist cookware to cutlery baskets, from bottle holders to delicate laundry bags...



Visit the webshop at:
www.aeg.com/shop

CONTENTS

4	Safety information
6	Control panel
9	First use
10	Daily use
11	Helpful hints and tips
11	Care and cleaning
13	What to do if...
16	Technical data
16	Installation
20	Noises
22	Environmental concerns

The following symbols are used in this user manual:



Important information concerning your personal safety and information on how to avoid damaging the appliance.



General information and tips



Environmental information

Subject to change without notice



SAFETY INFORMATION

In the interest of your safety and to ensure the correct use, before installing and first using the appliance, read this user manual carefully, including its hints and warnings. To avoid unnecessary mistakes and accidents, it is important to ensure that all people using the appliance are thoroughly familiar with its operation and safety features. Save these instructions and make sure that they remain with the appliance if it is moved or sold, so that everyone using it through its life will be properly informed on appliance use and safety. For the safety of life and property keep the precautions of these user's instructions as the manufacturer is not responsible for damages caused by omission.

Children and vulnerable people safety

- This appliance is not intended for use by persons (including children) with reduced physical, sensory or mental capabilities, or lack of experience and knowledge, unless they have been given supervision or instruction concerning use of the appliance by a person responsible for their safety.

Children should be supervised to ensure that they do not play with the appliance.

- Keep all packaging well away from children. There is risk of suffocation.
- If you are discarding the appliance pull the plug out of the socket, cut the connection cable (as close to the appliance as you can) and remove the door to prevent playing children to suffer electric shock or to close themselves into it.
- If this appliance featuring magnetic door seals is to replace an older appliance having a spring lock (latch) on the door or lid, be sure to make that spring lock unusable before you discard the old appliance. This will prevent it from becoming a death trap for a child.

General safety



WARNING!

Keep ventilation openings, in the appliance enclosure or in the built-in structure, clear of obstruction.

- The appliance is intended for keeping foodstuff and/or beverages in a normal household as explained in this instruction booklet.
- Do not use a mechanical device or any artificial means to speed up the thawing process.
- Do not use other electrical appliances (such as ice cream makers) inside of refrigerating appliances, unless they are approved for this purpose by the manufacturer.
- Do not damage the refrigerant circuit.
- The refrigerant isobutane (R600a) is contained within the refrigerant circuit of the appliance, a natural gas with a high level of environmental compatibility, which is nevertheless flammable.

During transportation and installation of the appliance, be certain that none of the components of the refrigerant circuit become damaged.

If the refrigerant circuit should become damaged:

- avoid open flames and sources of ignition

- thoroughly ventilate the room in which the appliance is situated
- It is dangerous to alter the specifications or modify this product in any way. Any damage to the cord may cause a short-circuit, fire and/or electric shock.

**WARNING!**

Any electrical component (power cord, plug, compressor) must be replaced by a certified service agent or qualified service personnel to avoid hazard.

1. Power cord must not be lengthened.
 2. Make sure that the power plug is not squashed or damaged by the back of the appliance. A squashed or damaged power plug may overheat and cause a fire.
 3. Make sure that you can come to the mains plug of the appliance.
 4. Do not pull the mains cable.
 5. If the power plug socket is loose, do not insert the power plug. There is a risk of electric shock or fire.
 6. You must not operate the appliance without the lamp cover¹⁾ of interior lighting.
- This appliance is heavy. Care should be taken when moving it.
 - Do not remove nor touch items from the freezer compartment if your hands are damp/wet, as this could cause skin abrasions or frost/freezer burns.
 - Avoid prolonged exposure of the appliance to direct sunlight.
 - Bulb lamps²⁾ used in this appliance are special purpose lamps selected for household appliances use only. They are not suitable for household room illumination.

Daily Use

- Do not put hot pot on the plastic parts in the appliance.
- Do not store flammable gas and liquid in the appliance, because they may explode.
- Do not place food products directly against the air outlet on the rear wall.³⁾
- Frozen food must not be re-frozen once it has been thawed out.
- Store pre-packed frozen food in accordance with the frozen food manufacturer's instructions.
- Appliance's manufacturers storage recommendations should be strictly adhered to. Refer to relevant instructions.
- Do not place carbonated or fizzy drinks in the freezer compartment as it creates pressure on the container, which may cause it to explode, resulting in damage to the appliance.
- Ice lollies can cause frost burns if consumed straight from the appliance.

Care and cleaning

- Before maintenance, switch off the appliance and disconnect the mains plug from the mains socket.
- Do not clean the appliance with metal objects.
- Do not use sharp objects to remove frost from the appliance. Use a plastic scraper.

1) If the lamp cover is foreseen.

2) If the lamp is foreseen.

3) If the appliance is Frost Free.

- Never use a hair drier or other heating appliances to speed up defrosting. Excessive heat may damage the plastic interior, and humidity could enter the electric system making it live.

Installation



For electrical connection carefully follow the instructions given in specific paragraphs.

- Unpack the appliance and check if there are damages on it. Do not connect the appliance if it is damaged. Report possible damages immediately to the place you bought it. In that case retain packing.
- It is advisable to wait at least four hours before connecting the appliance to allow the oil to flow back in the compressor.
- Adequate air circulation should be around the appliance, lacking this leads to overheating. To achieve sufficient ventilation follow the instructions relevant to installation.
- Wherever possible the back of the product should be against a wall to avoid touching or catching warm parts (compressor, condenser) to prevent possible burn.
- The appliance must not be located close to radiators or cookers.
- Make sure that the mains plug is accessible after the installation of the appliance.
- Connect to potable water supply only. ⁴⁾

Service

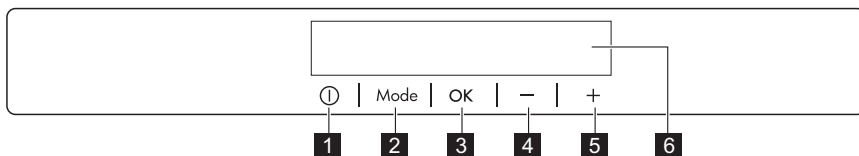
- Any electrical work required to do the servicing of the appliance should be carried out by a qualified electrician or competent person.
- This product must be serviced by an authorized Service Centre, and only genuine spare parts must be used.

Environment Protection



This appliance does not contain gasses which could damage the ozone layer, in either its refrigerant circuit or insulation materials. The appliance shall not be discarded together with the urban refuse and rubbish. The insulation foam contains flammable gases: the appliance shall be disposed according to the applicable regulations to obtain from your local authorities. Avoid damaging the cooling unit, especially at the rear near the heat exchanger. The materials used on this appliance marked by the symbol ♻️ are recyclable.

CONTROL PANEL



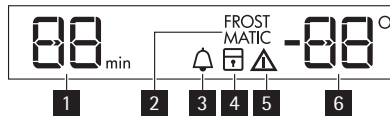
1 ON/OFF button

⁴⁾ If a water connection is foreseen.

- 2 Mode button
- 3 OK button
- 4 Temperature colder button
- 5 Temperature warmer button
- 6 Display

It is possible to change predefined sound of buttons to a loudly one by pressing together Mode button and Temperature colder button for some seconds. Change is reversible.

Display/Indicator



- 1 Timer indicator
- 2 FROSTMATIC function
- 3 Minute Minder function
- 4 Child Lock function
- 5 Alarm indicator
- 6 Temperature indicator

Switching on

To switch on the appliance do these steps:

1. Connect the mains plug to the power socket.
2. Press the ON/OFF button if the display is off.
3. The alarm buzzer could operate after few seconds.
To reset the alarm refer to "High temperature alarm".
4. If "dEMo" appears on the display, the appliance is in demonstration mode. Refer to "What to do if..." paragraph.
5. The temperature indicators show the set default temperature.
To select a different set temperature refer to "Temperature regulation".



If the door remains open for some minutes, the light will turn off automatically. The light is reset by closing and opening the door itself.

Switching off

To switch off the appliance do these steps:

1. Press the ON/OFF button for few seconds.
2. The display switches off.
3. To disconnect the appliance from the power disconnect the mains plug from the power socket.

Temperature regulation

The set temperature of the freezer may be adjusted by pressing the temperature button.
Set default temperature:

- -18°C for the freezer

The temperature indicator shows the set temperature.

The set temperature will be reached within 24 hours.



After a power failure the set temperature remains stored.

FROSTMATIC function

To switch on the function:

1. Press the Mode button until the corresponding icon appears.

The FROSTMATIC indicator flashes.

2. Press the OK button to confirm.

The FROSTMATIC indicator is shown.

This function stops automatically after 52 hours.

To switch off the function before its automatic end:

1. Press the Mode button until the FROSTMATIC indicator flashes.

2. Press the OK button to confirm.

3. The FROSTMATIC indicator goes off.



The function switches off by selecting a different freezer set temperature.

Minute Minder function

The Minute Minder function is to be used to set an acoustic alarm at the preferred time, useful for example when a recipe requires to cool down a mixture for a certain length of time, or when a reminder is needed in order not to forget the bottles placed in the freezer for fast cooling.

To switch on the function:

1. Press the Mode button until the corresponding icon appears.

The Minute Minder indicator flashes.

The Timer shows the set value (30 minutes) for a few seconds.

2. Press the Temperature colder button or the Temperature warmer button to change the Timer set value from 1 to 90 minutes.

3. Press the OK button to confirm.

The Minute Minder indicator is shown.

The Timer start to flash (min).

At the end of the countdown the Minute Minder indicator flashes and an audible alarm sounds:

1. Remove any drinks contained in the freezer compartment.

2. Press OK button to switch off the sound and terminate the function.

It is possible to deactivate the function at any time during the countdown:

1. Press the Mode button until the Minute Minder indicator flashes.

2. Press the OK button to confirm.

3. The Minute Minder indicator goes off.

It is possible to change the time during the countdown and at the end by pressing the Temperature colder button and the Temperature warmer button.

Child Lock function

To lock the buttons from unintentional operation select the Child Lock function.
To switch on the function:

1. Press the Mode button until the corresponding icon appears.
2. The Child Lock indicator flashes.
3. Press the OK button to confirm.

The Child Lock indicator is shown.

To switch off the function:

1. Press the Mode button until the Child Lock indicator flashes.
2. Press the OK button to confirm.
3. The Child Lock indicator goes off.

High temperature alarm

Temperature increase in the freezer compartment (for example due to an earlier power failure or door is open) is indicated by:

- flashing the alarm and freezer temperature indicators
- sounding of buzzer.

To reset the alarm:

1. Press any button.
2. The buzzer switches off.
3. The freezer temperature indicator shows the highest temperature reached for a few seconds. Then show again the set temperature.
4. The alarm indicator continue to flash until the normal conditions are restored.

Door open alarm

An acoustic alarm will sound if the door is left open for a few minutes. The door open alarm conditions are indicated by:

- flashing alarm indicator
- acoustic buzzer.

When normal conditions are restored (door closed), the alarm will stop.

During the alarm phase, the buzzer can be switched off by pressing any button.

FIRST USE

Cleaning the interior

Before using the appliance for the first time, wash the interior and all internal accessories with lukewarm water and some neutral soap so as to remove the typical smell of a brand-new product, then dry thoroughly.



Do not use detergents or abrasive powders, as these will damage the finish.

DAILY USE

Freezing fresh food

The freezer compartment is suitable for freezing fresh food and storing frozen and deep-frozen food for a long time.

To freeze small amount of fresh foods it is not necessary to change the present setting.

To freeze fresh food activate the FROSTMATIC function at least 24 hours before placing the food to be frozen in the freezer compartment.

Place the fresh food to be frozen in the two top compartments.

The maximum amount of food that can be frozen in 24 hours is specified on the **rating plate**, a label located on the inside of the appliance.

The freezing process lasts 24 hours: during this period do not add other food to be frozen.

Storage of frozen food

When first starting-up or after a period out of use, before putting the products in the compartment let the appliance run at least 2 hours.



In the event of accidental defrosting, for example due to a power failure, if the power has been off for longer than the value shown in the technical characteristics chart under "rising time", the defrosted food must be consumed quickly or cooked immediately and then re-frozen (after cooling).

Thawing

Deep-frozen or frozen food, prior to being used, can be thawed in the refrigerator compartment or at room temperature, depending on the time available for this operation.

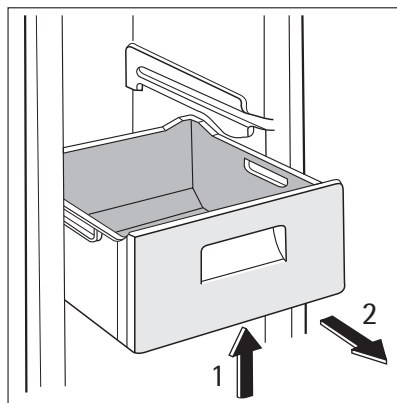
Small pieces may even be cooked still frozen, directly from the freezer: in this case, cooking will take longer.

Removal of freezing baskets from the freezer

The freezing baskets have a limit stop to prevent their accidental removal or falling out. At the time of its removal from the freezer, pull the basket towards yourself and, upon reaching the end point, remove the basket by tilting its front upwards.

At the time of putting it back, slightly lift the front of the basket to insert it into the freezer.

Once you are over the end points, push the baskets back in their position.



Freezing baskets

The freezer baskets ensure that it is quick and easy to find the food package you want. To gain space, the baskets can be removed and the food can be put directly on the shelves. On

all shelves it is possible to place food that protrude 15 mm from the front edge. This allows maximum use of the available space.



Do not remove the bottom basket to ensure correct air circulation.

HELPFUL HINTS AND TIPS

Hints for freezing

To help you make the most of the freezing process, here are some important hints:

- the maximum quantity of food which can be frozen in 24 hrs. is shown on the rating plate;
- the freezing process takes 24 hours. No further food to be frozen should be added during this period;
- only freeze top quality, fresh and thoroughly cleaned, foodstuffs;
- prepare food in small portions to enable it to be rapidly and completely frozen and to make it possible subsequently to thaw only the quantity required;
- wrap up the food in aluminium foil or polythene and make sure that the packages are airtight;
- do not allow fresh, unfrozen food to touch food which is already frozen, thus avoiding a rise in temperature of the latter;
- lean foods store better and longer than fatty ones; salt reduces the storage life of food;
- water ices, if consumed immediately after removal from the freezer compartment, can possibly cause the skin to be freeze burnt;
- it is advisable to show the freezing in date on each individual pack to enable you to keep tab of the storage time.

Hints for storage of frozen food

To obtain the best performance from this appliance, you should:

- make sure that the commercially frozen foodstuffs were adequately stored by the retailer;
- be sure that frozen foodstuffs are transferred from the foodstore to the freezer in the shortest possible time;
- not open the door frequently or leave it open longer than absolutely necessary.
- Once defrosted, food deteriorates rapidly and cannot be refrozen.
- Do not exceed the storage period indicated by the food manufacturer.

CARE AND CLEANING



CAUTION!

Unplug the appliance before carrying out any maintenance operation.



This appliance contains hydrocarbons in its cooling unit; maintenance and recharging must therefore only be carried out by authorized technicians.

Periodic cleaning

The equipment has to be cleaned regularly:

- clean the inside and accessories with lukewarm water and some neutral soap.
- regularly check the door seals and wipe clean to ensure they are clean and free from debris.
- rinse and dry thoroughly.



Do not pull, move or damage any pipes and/or cables inside the cabinet.

Never use detergents, abrasive powders, highly perfumed cleaning products or wax polishes to clean the interior as this will damage the surface and leave a strong odour.

Clean the condenser (black grill) and the compressor at the back of the appliance with a brush. This operation will improve the performance of the appliance and save energy consumption.



Take care of not to damage the cooling system.



When moving the cabinet, lift it by the front edge to avoid scratching the floor.

Many proprietary kitchen surface cleaners contain chemicals that can attack/damage the plastics used in this appliance. For this reason use a soft cloth rinsed in warm water and neutral soap emulsion for cleaning external surfaces.



Do not use detergents or abrasive paste as these will damage the paint, or stainless steel anti finger print coating.

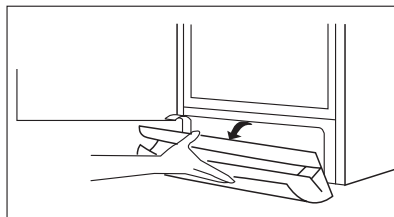
After cleaning, reconnect the equipment to the mains supply.

Cleaning the ventilation grille

The ventilation grille can be removed for washing.

Make sure the door is open and then:

1. Loosen the upper edge of the grille by pulling outward/downward.
2. Pull the grille straight out to completely remove it.
3. Vacuum clean under the cabinet.



Defrosting the freezer

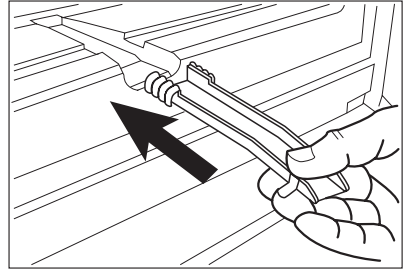
A certain amount of frost will always form on the freezer shelves and around the top compartment.

Defrost the freezer when the frost layer reaches a thickness of about 3-5 mm.

To remove the frost, follow the instructions below:

- switch off the appliance and pull out the plug from the wall socket
- remove any stored food, wrap it in several layers of newspaper and put it in a cool place

- remove the freezer drawers
 - put insulating material around the drawers, e.g. blankets or newspapers.
- Defrosting can be accelerated by placing bowls with hot water (not boiling) inside the freezer.
- Loosen the drainage channel from its resting position, push it in according to the illustration and place it in the bottom freezer drawer where water can collect
 - carefully scrape off the ice when it starts to thaw. Use a wood or a plastic scraper
 - when all the ice has melted, clean and wipe the cabinet dry, then put the drainage channel back in place.
 - switch on the cabinet, insert the plug into the wall socket and replace the frozen foodstuff.



Never use sharp metal tools to scrape off frost from the evaporator as you could damage it. Do not use a mechanical device or any artificial means to speed up the thawing process other than those recommended by the manufacturer. A temperature rise of the frozen food packs, during defrosting, may shorten their safe storage life.

Periods of non-operation

When the appliance is not in use for long periods, take the following precautions:

1. disconnect the appliance from electricity supply
2. remove all food
3. defrost and clean the appliance and all accessories
4. leave the door/doors open to prevent unpleasant smells.



If the cabinet will be kept on, ask somebody to check it once in a while to prevent the food inside from spoiling in case of a power failure.

WHAT TO DO IF...


During operation of the appliance some smaller but annoying trouble can often occur, which does not require calling a technician out. In the following chart information is given about them to avoid unnecessary charges on service.



The operation of the appliance goes with certain sounds (compressor and circulating sound). This not means a trouble, but a normal operation.



The appliance operates discontinuously, so the stopping of compressor does not mean being no current. That is why you must not touch the electrical parts of the appliance before breaking the circuit.

Problem	Possible cause	Solution
The appliance is noisy.	The appliance is not supported properly.	Check if the appliance stands stable (all feet and wheels should be on the floor). Refer to "Levelling".
The buzzer sounds. The Alarm icon flashing.	The temperature in the freezer is too high.	Refer to "High Temperature Alarm".
	The door is not closed correctly.	Refer to "Door open alarm".
 Upper or lower square is shown in the temperature display	An error has occurred in measuring the temperature.	Call your service representative (the cooling system will continue to keep food products cold, but temperature adjustment will not be possible).
dEMo appears on the display.	The appliance is in demonstration mode.	Keep pressed approximately 10 sec the OK button since a long sound of buzzer is heard and the display shut off for a short while: appliance start works regularly.
The compressor runs continuously.	The Temperature regulator may be set incorrectly.	Set a warmer temperature.
	The door is not closed correctly.	Refer to "Closing the door".
	The door has been opened too frequently.	Do not keep the door open longer than necessary.
	The food temperature is too high.	Let the food temperature decrease to room temperature before storage.
	The room temperature is too high.	Decrease the room temperature.
	There is too much frost and ice.	Food are not wrapped properly.
	The door is not closed correctly.	Refer to "Closing the door".
	The door gasket is deformed or dirty.	Refer to "Closing the door".
	The Temperature regulator may be set incorrectly.	Set a higher temperature.
The temperature in the appliance is too cold.	The Temperature regulator may be set incorrectly.	Set a warmer temperature.
The temperature in the appliance is too warm.	The Temperature regulator may be set incorrectly.	Set a colder temperature.
	The door is not closed correctly.	Refer to "Closing the door".
	The food temperature is too high.	Let the food temperature decrease to room temperature before storage.

Problem	Possible cause	Solution
The temperature in the freezer is too warm.	Food is too near to each other.	Store food so that there is cold air circulation.
	Large quantities of food to be frozen were put in at the same time.	Insert smaller quantities of food to be frozen at the same time.
The appliance does not operate.	The appliance is switched off.	Switch on the appliance.
	The mains plug is not connected to the mains socket correctly.	Connect the mains plug to the mains socket correctly.
	The appliance has no power. There is no voltage in the mains socket.	Connect another electrical appliance to the mains socket. Check fuse. Contact a qualified electrician.
The lamp does not work.	The lamp is defective.	Refer to "Replacing the lamp".
	The door has been open to long.	Close the door.
Door interferes with ventilation grill.	The appliance is not levelled.	Refer to "Levelling".
Misaligned door.	The appliance is not levelled.	Refer to "Levelling".

As much as the advice does not lead to result, call the nearest brand-mark service.

Replacing the lamp

The appliance is equipped with a longlife LED light.

Only service is allowed to replace the lighting device. Contact your Service Center

Closing the door

1. Clean the door gaskets.
2. If necessary, adjust the door. Refer to "Installation".
3. If necessary, replace the defective door gaskets. Contact the Service Center.

TECHNICAL DATA

		A62900GSW0	A62900GSX0
Dimension			
	Height	1800 mm	1800 mm
	Width	595 mm	595 mm
	Depth	623 mm	623 mm
Rising Time		18 h	18 h
Voltage		230 V	230 V
Frequency		50 Hz	50 Hz

The technical information are situated in the rating plate on the internal left side of the appliance and in the energy label.

INSTALLATION



WARNING!

Read the "Safety Information" carefully for your safety and correct operation of the appliance before installing the appliance.

Positioning

Install this appliance at a location where the ambient temperature corresponds to the climate class indicated on the rating plate of the appliance:

Climate class	Ambient temperature
SN	+10°C to +32°C
N	+16°C to +32°C
ST	+16°C to +38°C
T	+16°C to +43°C

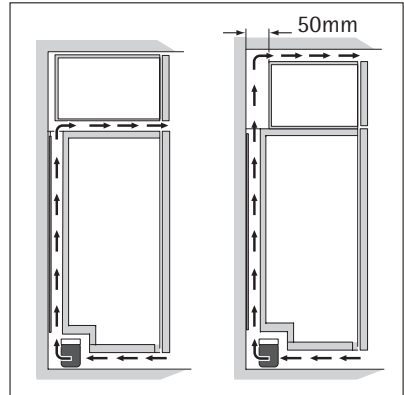
Location

To ensure best performance, if the appliance is positioned below an overhanging wall unit, the minimum distance between the top of the cabinet and the wall unit must be at least 40 mm. Ideally, however, the appliance should not be positioned below overhanging wall units.

The ventilation space can be:

- directly above the appliance
- behind and above the top cupboard.

In this case, the space behind the top cupboard must be at least 50 mm deep.



Electrical connection

Before plugging in, ensure that the voltage and frequency shown on the rating plate correspond to your domestic power supply.

The appliance must be earthed. The power supply cable plug is provided with a contact for this purpose. If the domestic power supply socket is not earthed, connect the appliance to a separate earth in compliance with current regulations, consulting a qualified electrician.

The manufacturer declines all responsibility if the above safety precautions are not observed.

This appliance complies with the E.E.C. Directives.

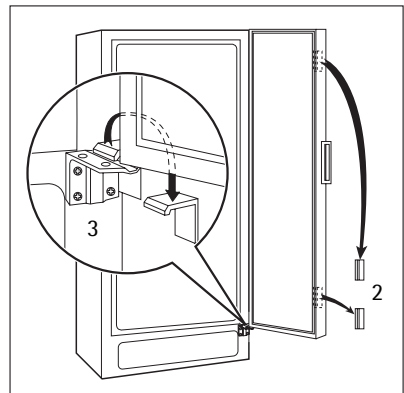
Removing the transport support

Your appliance is equipped with transport support to secure the door during transportation. To remove them do these steps:

1. Open the door.
2. Remove the transport support from the door sides.
3. Remove the transport support from the lower hinge (some models).



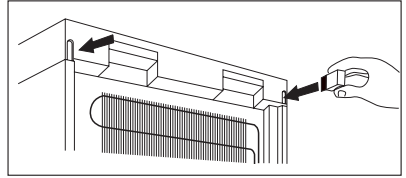
Some models are fitted with a silencing pad under the cabinet. Do not remove this pad.



Rear spacers

Install the spacers provided within the accessory bag as shown in the figure.

Install the spacers on the back side of the panel.



Fitting the door handles

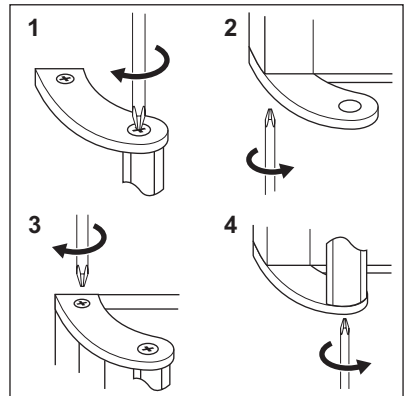
(Example for right hinge performance)

The handles are supplied as a kit at delivery.

1. Screw the top handle bracket to the handle rod.
2. Fit the bottom handle bracket on the lower left-hand side of the door.
3. Fit the top handle bracket on the top left-hand side of the door.
4. Screw the handle rod to the bottom handle bracket.



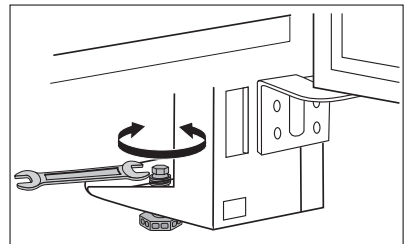
Do not use excessive force and overtighten the screws (max. 2 Nm) as you may damage the door handles.



Levelling

When placing the appliance ensure that it stands level. If necessary adjust the feet using the adjustment spanner supplied.

Door alignment is dependent on proper levelling.



Door reversibility

To change the opening direction of the door, do these steps:

1. Remove the plug from the power.
2. Remove the ventilation grille. Remove the upper filling and install it on the opposite side of the grille.

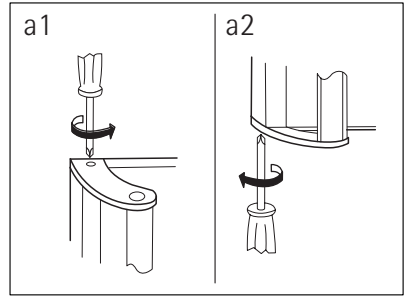
Remove the pedal hole cover and install the cover provided in the accessory bag on the opposite side.

3. Lay down the appliance back side down on a wooden support.

4. Remove the handle:

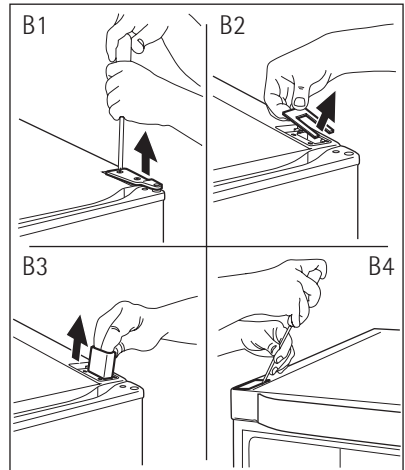
Unscrew the handle from the top (A1) and the bottom (A2) of the door.

Unscrew both of the handle brackets from the handle rod and re-screw the handle brackets provided in the handle kit.



5. Unscrew the hinge (B1) and remove the cover plate (B2) and the support (B3).

Remove the cover (B4) on the opposite side and install the support (B3) the cover plate (B2) and the hinge (B1). Install the cover (B4) on the opposite side.



6. Unscrew the lower hinge (C1). Move the pin to the opposite side (C2). Unscrew and move the pedal to the opposite side (C3).

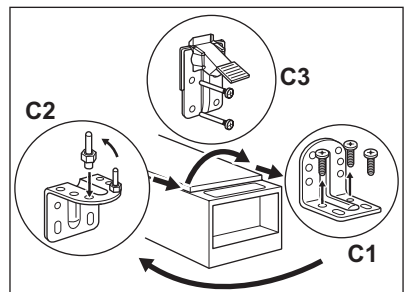
Screw on the lower hinge on the opposite side.

7. Tighten the pin with the adjustment spanner supplied.

8. Install the handle on the opposite side.

9. Raise the appliance and install the ventilation grille.

10. Put the cabinet in position.

**WARNING!**

Reposition, level the appliance, wait for at least four hours and then connect it to the power socket.

Do a final check to make sure that:

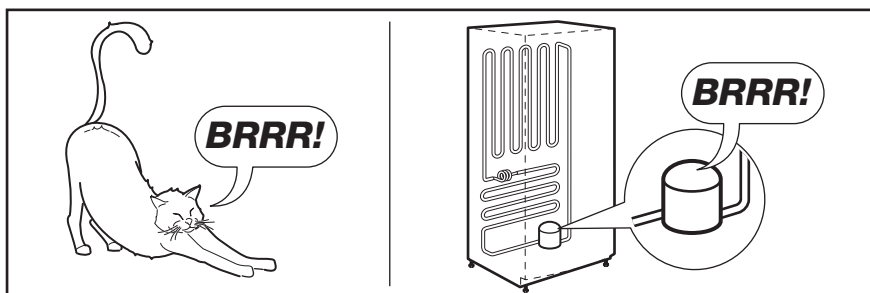
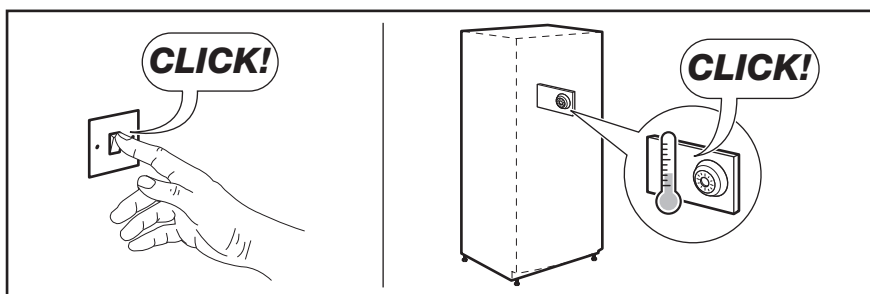
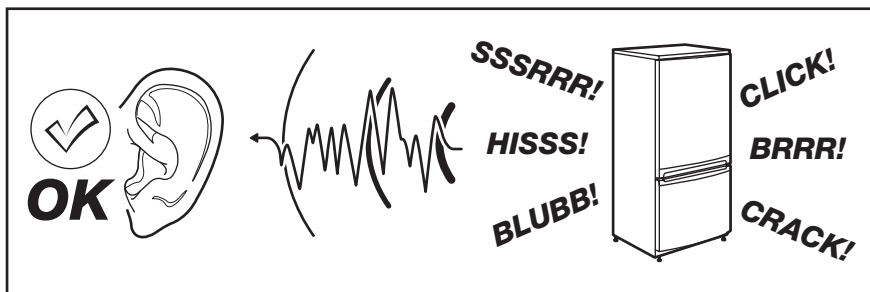
- All screws are tightened.

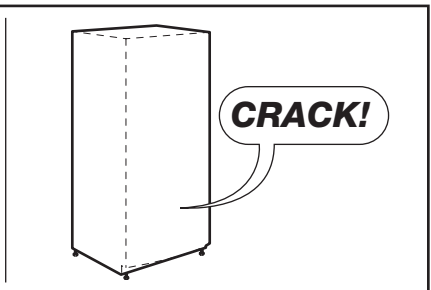
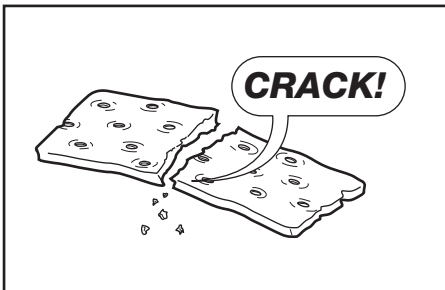
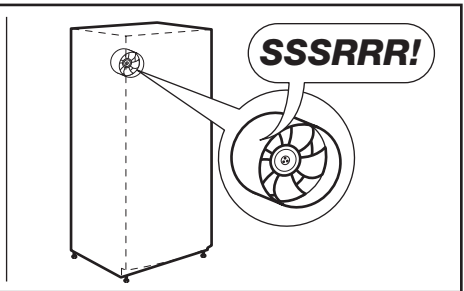
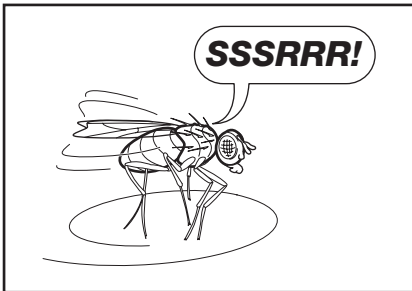
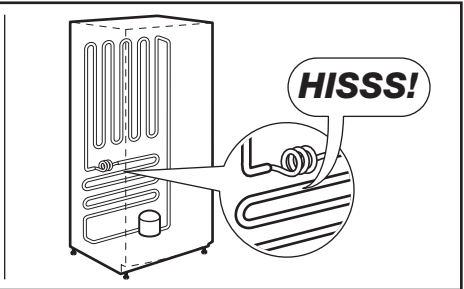
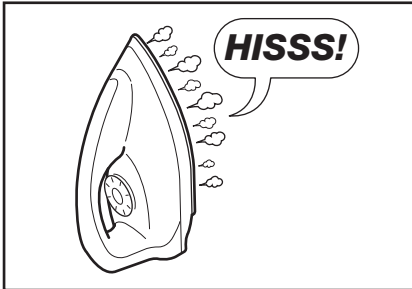
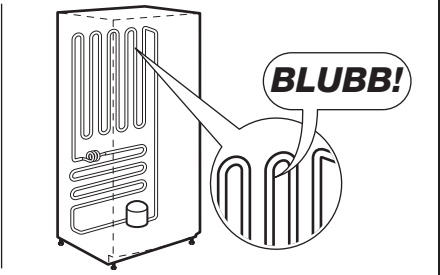
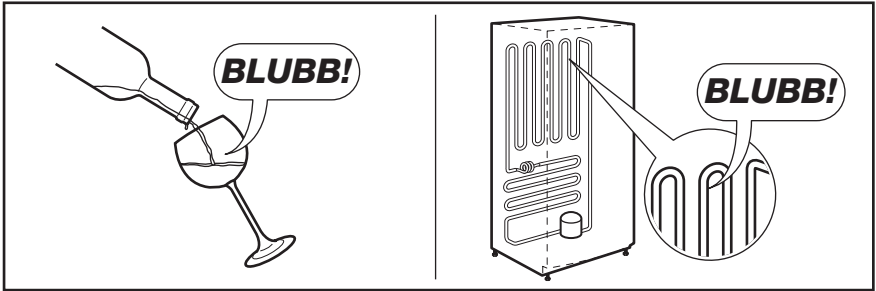
- The magnetic seal adheres to the cabinet.
- The door opens and closes correctly.

If the ambient temperature is cold (i.e. in Winter), the gasket may not fit perfectly to the cabinet. In that case, wait for the natural fitting of the gasket.


NOISES

There are some sounds during normal running (compressor, refrigerant circulation).





ENVIRONMENTAL CONCERNS

The symbol  on the product or on its packaging indicates that this product may not be treated as household waste. Instead it should be taken to the appropriate collection point for the recycling of electrical and electronic equipment. By ensuring this product is disposed of correctly, you will help prevent potential negative consequences for the environment and human health, which could otherwise be caused by inappropriate waste handling of this product. For more detailed information about recycling of this product, please contact your local council, your household waste disposal service or the shop where you purchased the product.



Free Manuals Download Website

<http://myh66.com>

<http://usermanuals.us>

<http://www.somanuals.com>

<http://www.4manuals.cc>

<http://www.manual-lib.com>

<http://www.404manual.com>

<http://www.luxmanual.com>

<http://aubethermostatmanual.com>

Golf course search by state

<http://golfingnear.com>

Email search by domain

<http://emailbydomain.com>

Auto manuals search

<http://auto.somanuals.com>

TV manuals search

<http://tv.somanuals.com>