

# Gefrierschranke

ÖKO-ARCTIS SUPER 2073-4 GS

ÖKO-ARCTIS 204-4 GS

Congelateurs

Diepvriezer

Freezer

Bedienungsanleitung

Mode d'emploi

Gebruiksaanwijzing

Instruction booklet



**It is most important that this instruction book should be retained with the appliance for future reference. Should the appliance be sold or transferred to another owner, or should you move house and leave the appliance, always ensure that the book is supplied with the appliance in order that the new owner can be acquainted with the functioning of the appliance and the relevant warnings.**

**These warnings are provided in the interest of safety. You must read them carefully before installing or using the appliance.**

## General Safety

- This appliance is designed to be operated by adults. Children should not be allowed to tamper with the controls or play with the product.
- It is dangerous to alter the specifications or modify this product in any way.
- Care must be taken to ensure that the appliance does not stand on the electrical supply cable.
- Before any cleaning or maintenance work is carried out, be sure to switch off and unplug the appliance.
- This appliance is heavy. Care should be taken when moving it.
- Ice lollies can cause frost burns if consumed straight from the appliance.
- **Take utmost care when handling your appliance so as not to cause any damages to the cooling unit with consequent possible fluid leakages.**
- **The appliance must not be located close to radiators or gas cookers.**
- **Avoid prolonged exposure of the appliance to direct sunlight.**
- **There must be adequate ventilation round the back of the appliance and any damage to the refrigerant circuit must be avoided.**
- **For freezers only (except built-in models): an ideal location is the cellar or basement.**
- **Do not use other electrical appliances (such as ice cream makers) inside of refrigerating appliances, unless they are approved for this purpose by the manufacturer.**

## Service / Repair

- Any electrical work required to install this appliance should be carried out by a qualified electrician or competent person.
- This appliance should be serviced by an authorized Service Centre, and only genuine spare parts should be used.

- Under no circumstances should you attempt to repair the appliance yourself. Repairs carried out by inexperienced persons may cause injury or more serious malfunctioning. Refer to your local Service Centre, and always insist on genuine spare parts.
- This appliance contains hydrocarbons in its cooling unit; maintenance and recharging must therefore only be carried out by authorized technicians.

## Use


- The domestic refrigerators and freezers are designed to be used specifically for the storage of edible foodstuffs only.
- Frozen food must not be re-frozen once it has been thawed out.
- Manufacturers' storage recommendations should be strictly adhered to. Refer to relevant instructions.
- The inner lining of the appliance consists of channels through which the refrigerant passes. If these should be punctured this would damage the appliance beyond repair and cause food loss. **DO NOT USE SHARP INSTRUMENTS** to scrape off frost or ice. Frost may be removed by using the scraper provided. Under no circumstances should solid ice be forced off the liner. Solid ice should be allowed to thaw when defrosting the appliance. See defrost instructions.
- Do not place carbonated or fizzy drinks in the freezer as it creates pressure on the container, which may cause it to explode, resulting in damage to the appliance.
- Do not use a mechanical device or any artificial means to speed up the thawing process other than those recommended by the manufacturer.
- Never use metal objects for cleaning your appliance as it may get damaged.

## Installation

- During normal operation, the condenser and compressor at the back of the appliance heat up considerably. For safety reasons, minimum ventilation must be as shown in the relevant Figure.  
**Attention: keep ventilation openings clear of obstruction.**
- If the appliance is transported horizontally, it is possible that the oil contained in the compressor flows in the refrigerant circuit. It is advisable to wait at least two hours before connecting the appliance to allow the oil to flow back in the compressor.
- There are working parts in this product which heat up. Always ensure that there is adequate ventilation as a failure to do this will result in component failure and possible food loss. See installation instructions.
- Parts which heat up should not be exposed. Wherever possible the back of the product should be against a wall.

- If the appliance has been transported horizontally, it is possible that the oil contained in the compressor flows in the refrigerant circuit. It is advisable to wait at least two hours before connecting the appliance to allow the oil to flow back in the compressor.

## Environment Protection

- **This appliance does not contain gasses which could damage the ozone layer, in either its refrigerant circuit or insulation materials. The appliance shall not be discarded together with the urban refuse and rubbish. Avoid damaging the cooling unit, especially at the rear near the heat exchanger. Information on your local disposal sites may be obtained from your municipal authorities.**  
**The materials used on this appliance marked with the symbol  are recyclable.**

# CONTENTS



<b>Installation</b>	37	■ Frozen food storage	42
■ Location	37	■ Helpful hints	42
■ Rear spacers	37	■ Cold accumulator	42
		■ Thawing-out frozen foods	42
<b>Technical specification</b>	37	■ Ice-cube production	42
■ Electrical connection	37	■ Defrosting	42
■ Cleaning the interior	38		
■ Door reversibility	39	<b>Maintenance</b>	43
		■ Periodical cleaning	43
<b>Using your freezer</b>	40	■ Idle periods	43
■ The control panel	40		
■ Starting	40	<b>Something not working</b>	43
■ Quick-freezing	40		
■ The temperature alarm light	40		
■ Internal thermometer	40		
■ Freezing food	41		
■ Rules to observe when freezing foods	41		

## Location

Place the appliance as far away as possible from sources of heat, e.g. radiators, heaters, direct sunlight, etc. Best performance is obtained with ambient temperature between +18°C and +43°C (class T); +18°C and +38°C (class ST); +16°C and +32°C (class N); +10°C and +32°C (class SN).

**The class of your appliance is shown on its rating plate.**

For safety reasons, minimum ventilation must be as shown in Fig. 1:

Appliance positioned under overhanging kitchen wall units (see Fig. 1-A).

Appliance positioned without overhanging kitchen units (see Fig. 1-B).

**Attention: keep ventilation openings clear of obstruction.**

One or more adjustable feet mounted on the base of the appliance make it possible to set it perfectly level.

If this appliance – equipped with magnetic door seals – replaces an older appliance featuring a spring lock (mechanical latch) on the door or lid, please ensure that this lock is made completely unusable before «throwing out» the old appliance. This will prevent it from becoming a death-trap for a child.

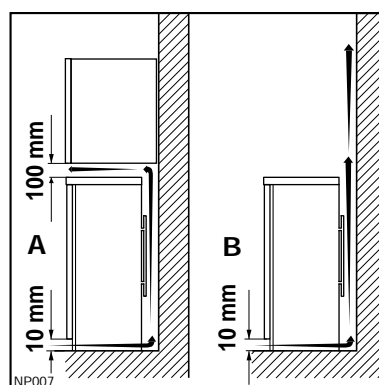


Fig. 1

## Rear spacers

**In the bag with the documentation, there are two spacers which must be fitted as shown in the figure.**

Slacken the screws and insert the spacer under the screw head, then re-tighten the screws.

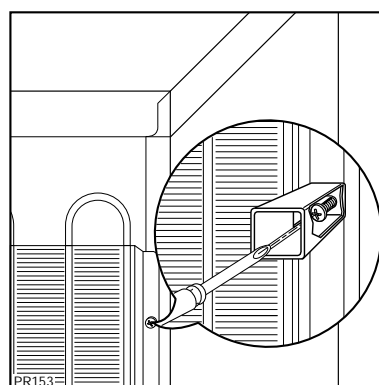


Fig. 1a

## TECHNICAL SPECIFICATION

The technical data is indicated in the rating plate on the left side inside the appliance.

## Electrical connection

Before plugging in, ensure that the voltage and frequency shown on the serial number plate correspond to your domestic power supply.

Voltage can vary by  $\pm 6\%$  of the rated voltage.

For operation with different voltages, a suitably sized auto-transformer must be used.



### **Important**

It is essential that the appliance be connected to an efficient earth tap. For this purpose the supply cable plug incorporates a special earth contact. If the sockets of your domestic wiring system are not earthed, have the appliance connected to a separate earth wire by a qualified electrician in accordance with existing safety regulations.

---

**The Manufacturer declines all responsibility if the above safety precautions are not observed.**

**This appliance complies with EEC directive number 87/308 of 2/6/87 relative to radio interference suppression.**



This appliance complies with the following E.E.C. Directives:

- **73/23 EEC** of 19.2.73 (Low Voltage Directive) and subsequent modifications;
- **89/336 EEC** of 3.5.89 (Electromagnetic Compatibility Directive) and subsequent modifications.

### **Cleaning the interior**

Before using the appliance for the first time, wash the interior and all internal accessories with lukewarm water and some neutral soap so as to remove the typical smell of a brand-new product, then dry thoroughly.

Do not use detergents or abrasive powders, as these will damage the finish.

## **i** Door reversibility

Unplug the freezer before performing the following operations:

Remove the ventilation grill (D).

Remove the lower hinge (E) by loosening the two fastening screws.

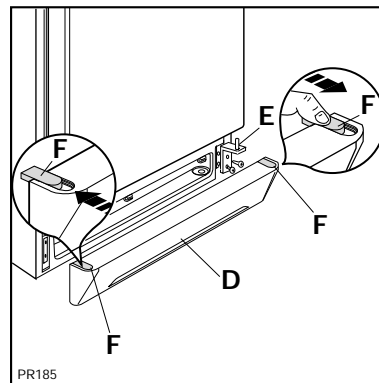


Fig. 2

Remove the door by sliding it out of the upper pin (A-Fig. 3).

Unscrew the pin and the washer (A+B-Fig. 3) and refit them on the opposite side.

Refit the door.

Refit the lower hinge (E-Fig. 2) on the opposite side by means of the two screws that have been previously removed.

Remove the plug (F) from the ventilation grill (D) and replace it on the opposite side.

Refit the ventilation grill.

Remove the handle and refit it on the opposite side (Fig. 4).

Unscrew the handle. Refit it on the opposite side after having pierced the plugs with a punch. Cover the holes left open with the plugs contained in the documentation pack.

If, after having reversed the door, it is not in line with the unit, the top hinge can be adjusted.

To do this, use a 10 mm spanner as shown in Figure 3; slacken the nut, align the door by pushing it to the left or right, then re-tighten the nut.

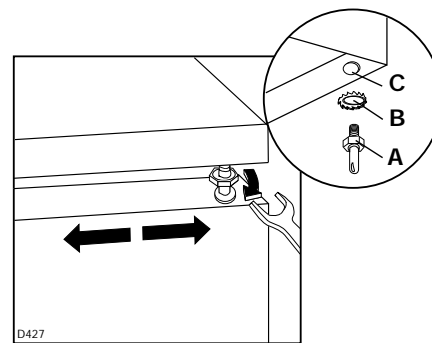


Fig. 3

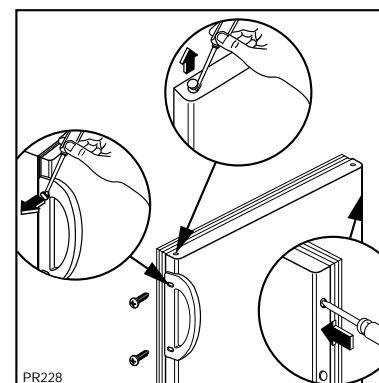



Fig. 4

### **!** Attention

**After having reversed the opening direction of the door check that all the screws are properly tightened and that the magnetic seal adheres to the cabinet.** If the ambient temperature is cold (i.e. in Winter), the gasket may not fit perfectly to the cabinet. In that case, wait for the natural fitting of the gasket or accelerate this process by heating up the part involved with a normal hairdrier.

This freezer has been marked with the  symbol, which means that it is suited to the freezing of fresh foods, the conservation of frozen foods and the production of ice-cubes.

### The control panel (Fig. 5)

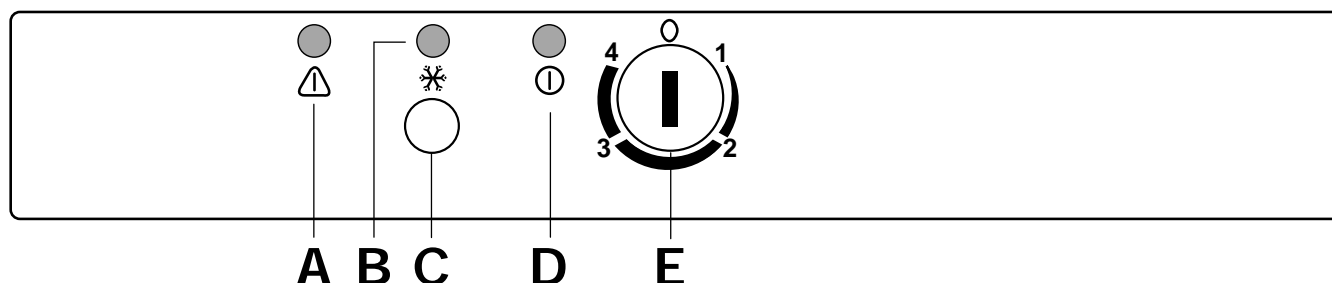


Fig. 5

- A. Temperature alarm light
- B. Quick-freezing indicator light
- C. N/S knob
- D. Function indicator light
- E. Thermostat knob

### Starting

Insert the power supply plug into the nearest wall socket (the function indicator light (D) will light up indicating that the freezer is receiving electrical input).

Turn the thermostat knob (E) to the right to a medium setting (the temperature alarm light (A) will light up). For the satisfactory conservation of frozen foods, the freezer's internal temperature must be lower than  $-18^{\circ}\text{C}$ .

Wait until the temperature alarm light (A) turns off when the optimum temperature has been reached. Thermostat settings may be modified according to the surrounding room temperature, the location of the freezer and the frequency of door openings, etc. To turn off the freezer, turn the thermostat knob to the «O» position.

### Quick-freezing

For quick-freezing, turn the N/S knob (C) to the «S» symbol. The quick-freezing indicator light (B) will then light up.

### The temperature alarm light (A)

The temperature alarm light turns on automatically whenever the temperature within the freezer rises above a certain value which might endanger satisfactory long-term conservation.

It is perfectly normal for the temperature alarm light to remain lit up for a short time after the freezer is initially turned on.

It will remain lit up until the optimum temperature for the conservation of frozen food is attained.

### Internal thermometer

This indicates the internal temperature of the freezer. It may indicate a temperature above  $-18^{\circ}\text{C}$  when large quantities of food are placed inside for freezing or when the door is left open for a long time.

- Blue: normal
- Red: alarm

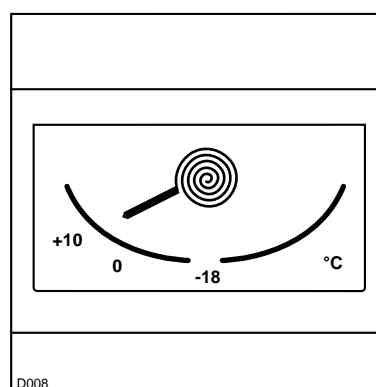


Fig. 6

## Freezing food

Set the freezer to quick-freezing operational status. Wait at least 3 hours before introducing fresh foods into the freezer if it has only recently been turned on.

If the freezer has already been working for some time, turn the respective knob to the «S» position at least 24 hours before introducing the food into the freezer in order to ensure better freezing results. This period of time may be shortened according to the quantity of food.

When quick-freezing is being performed, the compressor works continuously, employing all of its refrigerating power to the maximum.

Keep the knob as it is for another 24 hours after the introduction of the food into the freezer and then return the knob to the «N» position.

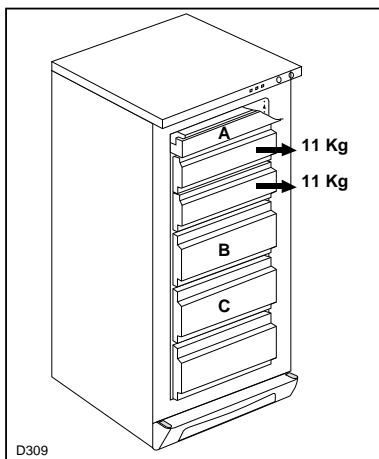
Bear in mind the freezing capacity of your freezer; that is, the maximum quantity of food that may be frozen in 24 hours.

This freezing capacity is 22 kg.

Distribute the packages as shown in Figure 7.

Arrange the foods to be frozen in the upper compartments.

When the necessary freezing time has elapsed, distribute the newly-frozen foods into the drawers to free the compartments for new foods to be frozen.



**Fig. 7**

## Rules to observe when freezing foods

All products to be frozen must be fresh and of excellent quality.

Each freezing package must be adjusted to the family's consumption quantity in order to be used just once.

Small-sized freezing packages allow a more rapid and uniform freezing.

Do not forget that once frozen foods have thawed out, they spoil rapidly.

Low-fat content foods are better conserved in the freezer than those with higher fat content. Salt (whenever present) reduces the duration of satisfactory conservation.

Foods to be frozen must be enclosed in air-tight sacks or containers especially indicated for this purpose.

Close these sacks or containers tightly to eliminate all air.

Never place bottles or cans of carbonated beverages in the freezer. These might explode.

Never introduce hot foods or liquids.

Never fill the freezing sacks or containers with covers to the brim.

Do not consume certain products (popsicles, etc.) immediately after removing them from the freezer, because their extremely low temperature might cause burns.

Indicate the freezing date on every sack or container as a means of controlling conservation times.

Never open the freezer door or introduce new foods to be frozen whenever a Quick-freezing phase is already in progress.

A special card is located in the holder on the inner door of the freezer compartment. On the upper part it shows pictures of different types of food followed by a figure. These figures indicate the maximum storage time, in months, for each type of food.

Details of food being stored, can also be written in pencil on the lower part of the card.



### **Important**

When electrical current happens to be cut off, the freezer door must not be opened. If the power failure is short (up to 6-8 hours) and the freezer is full, there is no risk that the food will spoil.

If the power failure lasts longer, the food must be consumed as rapidly as possible, or otherwise cooked and re-frozen again.



## Frozen food storage

When the freezer is being turned on for the first time, or after a prolonged period of disuse, turn the N/S knob to the Quick-freezing position and then wait at least two hours before introducing the food to be conserved.

You may then return the knob to the «N» position. This two-hour waiting period may be avoided if the freezer has already been in operation.

## Helpful hints

Always check the preparation date indicated on the frozen foods you buy and respect the expiration time provided by the producer.

Do not open the freezer door too often and leave it open only for the minimum time necessary. Unnecessary increases in temperature will notably reduce the duration of the frozen food conservation.

Make sure that all frozen food packages are intact; otherwise the food may have spoiled.

If such packages present signs of swelling or humidity marks, this means that the food has not been conserved correctly, implying that the product has lost some of its original quality.

When buying frozen foods, carry them in a thermally insulated shopping bag whenever possible. In any case, always purchase frozen foods at the end of your shopping. Wrap the frozen foods in newspaper and then put them into the freezer as soon as you arrive home.

Always check the frozen foods you buy carefully at the moment of purchase, because even partially-thawed foods must not be re-frozen but must be consumed within 24 hours of purchase.

To improve the capacity of the freezer, it is necessary to remove drawer «A» and baskets «B» and «C». Store frozen foods directly on the compartments shelves. In this case avoid passing the load limit  $\_ \blacktriangledown \_$  (Fig. 7).

## Cold accumulator

A cold accumulator is supplied in the freezer; this increases the length of time for which food will keep in the event of a power failure or breakdown. It must be placed in the top drawer (Fig. 7).

## Thawing-out frozen foods

Frozen foods must be allowed to thaw out before use either in the refrigerator (meat, poultry, fish, etc.) or at room temperature (all other foods) according to the available time.

Frozen products which come in small-sized or

separate packages may be cooked directly without thawing; obviously, in this case, the cooking time will last a little longer.

## Ice-cube production

This appliance is equipped with trays for the production of ice-cubes.

Fill these trays with water to 3/4 of their height, then put them in the freezer.

The ice-cubes may be shaken out from the trays by simply twisting; do not use metallic instruments to remove the trays from the freezer.

## Defrosting

Frost should be removed with the special plastic scraper provided, whenever the thickness exceeds 4 mm. During this operation it is not necessary to cut-off the power or to remove the food from the freezer.

Do not use a mechanical device or any artificial means to speed up the thawing process other than those recommended by the manufacturer.

If a thick layer of ice is formed it will be necessary to carry out complete defrosting as following:

set the knob (E) to «O» position or unplug the appliance from the mains socket;

wrap frozen food in several layers of newspaper and place the food packages in a cool place;

leave the door open. Introduce the plastic scraper in the appropriate seating at the bottom center, as shown in figure, place underneath a basin to collect the defrost water.

When defrosting is completed dry the interior thoroughly.

Keep the scraper for future use.

Turn the thermostat knob (E) to the desired position or replace the plug in the socket. After letting the appliance to run for two or three hours on the quick-freeze setting, it is ready again for storing frozen food.

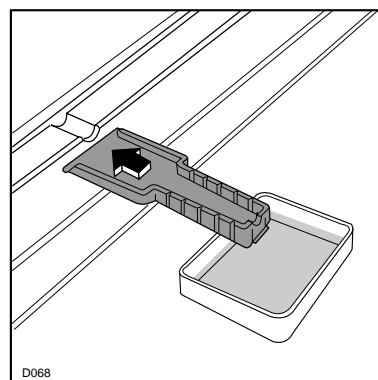


Fig. 8

**Unplug the appliance before carrying out any maintenance operation.**

## **Warning**

This appliance contains hydrocarbons in its cooling unit; maintenance and recharging must therefore only be carried out by authorized technicians.

## **Periodical cleaning**

Never use metal objects for cleaning your appliance as it may get damaged.

Wash the interior of the appliance with lukewarm water and sodium bicarbonate.

Clean cabinet outer surfaces with a silicone-wax spray.

The condenser and compressor should be cleaned using a brush or a vacuum cleaner. This latter operation will maintain the appliance's excellent standards of performance and save energy.

## **Idle periods**

During periods when the appliance is not used, you should take the following precautions:

remove the plug from the wall socket;

remove all food from the appliance;

defrost and clean the interior and all accessories;

leave the door slightly open, thus letting air circulate and preventing the formation of mould and unpleasant smells.

If the appliance is not functioning properly check that:

the plug is firmly in the wall socket and the mains power switch is on;

there is no power failure; the control knob is in the right position.

## **Furthermore:**

if the appliance seems too noisy check that the sides are not touching furniture that can transmit or amplify a noise or a vibration. Also, check that the piping of the refrigerant system does not vibrate.

If your appliance is still not working properly after making the above checks, contact your local dealer or the nearest service center.

**To obtain fast service, it is essential that when you apply for it you specify the model and serial number of your appliance which can be found inside the appliance at the bottom on the left hand side.**

AEG Hausgeräte GmbH  
Postfach 1036  
D-90327 Nürnberg

© Copyright by AEG

H 271 271 300 - 0797/03 - 151

2222 059-61    **ET**    1 2 3 4 5 6 7 8 9 10 11 12 / 97

## Free Manuals Download Website

<http://myh66.com>

<http://usermanuals.us>

<http://www.somanuals.com>

<http://www.4manuals.cc>

<http://www.manual-lib.com>

<http://www.404manual.com>

<http://www.luxmanual.com>

<http://aubethermostatmanual.com>

Golf course search by state

<http://golfingnear.com>

Email search by domain

<http://emailbydomain.com>

Auto manuals search

<http://auto.somanuals.com>

TV manuals search

<http://tv.somanuals.com>