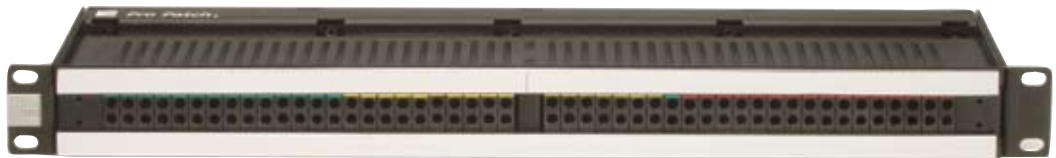


ProPatch® Programmable Series

High-Density Patching System



The ProPatch® Programmable modular system offers unprecedented reliability and flexibility in a convenient, space-saving size and lightweight package. Specifically engineered for everyday use in demanding mobile trucks, the ProPatch Programmable system is the only product in its class that passes stringent MIL-STD-202F standards for vibration and environmental requirements.

The ProPatch Programmable bantam system is a WECO-standard module in a high-density 2x48 one rack space panel. The longframe system is a WECO-standard module in either a 2x24 or high-density 2x32 one rack space configuration. The modular design allows individual front jack access for circuit and ground configurations without having to take the entire panel offline or removing it from the rack. Each modular jack features WECO gold crossbar contacts that provide self-cleaning action and maximize reliability. Jack modules are also individually sealed which prevents dust and contamination from convection plenum action common in rack mounted systems.

The ProPatch Programmable series is available with a variety of termination options including QCP punchdown, LSA-PLUS® punchdown, 3-pin, 56-pin, 90-pin, 120-pin EDAC/ELCO connectors, and 50-pin AMP “champ” connectors, in both an eight-connector version for audio and a four-connector version for RTS/ClearCom type intercom systems.

Only five inches deep and 6.2 pounds fully configured, the ProPatch Programmable series is unmatched in the marketplace. Using ADC’s patent-pending escutcheon kit, the one rack unit panel can be converted to a 1.5 rack unit configuration. This allows the use of ADC’s ultra-large designation strips, providing room for three lines of text, plus markers—the largest designations on the market.

SPEC SHEET



www.adc.com • +1-952-938-8080 • 1-800-366-3891



ProPatch® Programmable Series

High-Density Patching Systems

5/08 • 104974AE ProPatch® Programmable Series

Individual Jack Access

Each ProPatch® Programmable panel features individual jack cards. Cards contain an individual circuit pair of jacks, front panel circuit status snap-in icon, and seven-position gold plated sealed DIP switch for normal and ground configuration. The gold-plated header card plugs and sockets contained in the chassis ensure maximum reliability.

To remove a jack, remove the top and bottom designation strips, push down the locking tab on the jack module and slide the module out from the front of the chassis. It is not necessary to remove the entire panel from the rack, or the cover from the chassis. Unauthorized circuit changes are eliminated because switches are hidden from front panel view.

The ProPatch Programmable system is the only product in its class that passes demanding MIL-202 environmental testing for thermal shock, resistance from moisture contamination, plating corrosion from salt fog, and vibration to simulate long-term fixed installation and over-the-road use.



Bantam

ProPatch Programmable panel allows individual front-panel jack access for normals and grounds without having to take the entire panel off-line. Special 7-position DIP switches allows configuration of the circuit normal and grounds without cumbersome jumpers or pins to lose. (See-through cover in photo is for demonstration purposes only.)



Longframe

Features

- Industry's only bantam and longframe audio panel fully qualified to meet demanding military standards (MIL-STD 202F for ruggedness, and MIL-J-641E for jack compliance)
- Lightweight panels weigh only 6.2 pounds (2.8 kg)
- High-density bantam 2x48 WECO-compliant bantam jacks on 0.312-inch centers
- High-density 2x32 or 2x24 longframe jack on .500-inch centers
- Gold plated DIP switch selectable circuit normals and grounds
- Shallow depth chassis determined by connector style
- Fully AES/EBU 110 W digital and analog compliant
- Modular design allows individual jack access/configuration without affecting other circuits
- Grounds can be configured on an individual circuit basis for lift, chassis, sleeve, and common ground
- Modules snap into place, tabs lock into chassis
- Circuit status icons allow users to identify circuit status with snap-in icons in eight colors
- Designation strips cover tabs to prevent unauthorized access to circuit configuration switches
- Converts to a 1.5 rack unit panel with a patent-pending escutcheon kit
- Largest designations on the market
Bantam: .410" for 1 RU
Longframe: .313" for 1 RU
Bantam and Longframe: .680" for 1.5 RU



ProPatch® Programmable Series

High-Density Patching Systems

Bantam and Longframe Chassis and Module Specifications

ELECTRICAL

Contact resistance:	0.020 Ω max (initial) 0.020 Ω max (after life cycling) 0.10 Ω max (after salt spray)
Insulation resistance:	10,000 MΩ min (initial) 1,000 MΩ min (after moisture resistance test)
Dielectric withstanding:	Voltage: 500 Vac
Contact rating:	Max: 100 mA + 130 Vdc; Min: -40 dBm

MECHANICAL

Mechanical shock:	Per MIL-STD-202F, Method 213B, test condition H
Vibration:	MIL-STD-1344, Method 2005, test condition I
Insertion force:	7 lbs (3.17 kg) max
Withdrawal force:	1.5 lbs (.679 kg) min
Life:	20,000 insertion/withdrawal cycles min

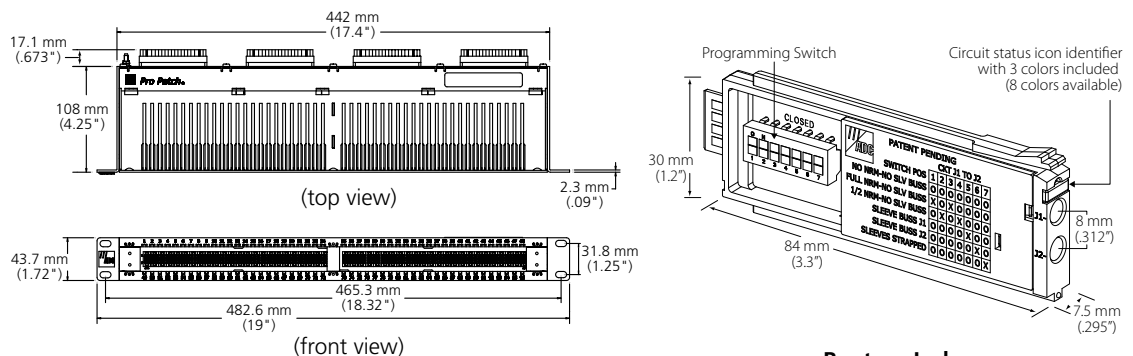
ENVIRONMENTAL

Operating temperature:	-40° to 65°C (-40° to 149°F)
Storage temperature:	-55° to 85°C (-67° to 185°F)
Thermal shock:	Per MIL-STD-202F, Method 107G, test condition A
Operating humidity:	0% to 95% (no condensation)
Storage humidity:	0% to 95% (no condensation)
Salt spray:	Per MIL-STD-202F, Method 101D
Moisture resistance:	Per MIL-STD-202F, Method 106E

MATERIALS

Chassis frame:	Steel, zinc plated with electroless nickel plating
Jack frame:	Unreinforced polyetherimide resin rated UL 94-V0 for flammability
Springs:	Nickel-silver
Contacts:	WECO No. 1 gold crossbar alloy welded to springs
PC boards:	FR-4
Sockets:	Phosper bronze 30 micro inches gold on contact
Switches:	Copper alloy 10 micro inches min gold on contact

Bantam Chassis and Jack Dimensions



Typical 1 RU 48-Position Panel

Bantam Jack

5/08 • 104974AE ProPatch® Programmable Series

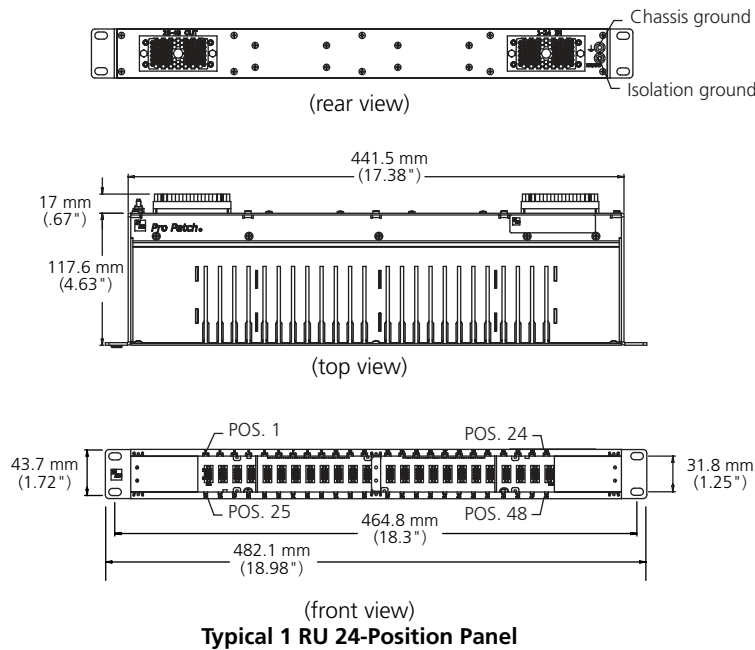
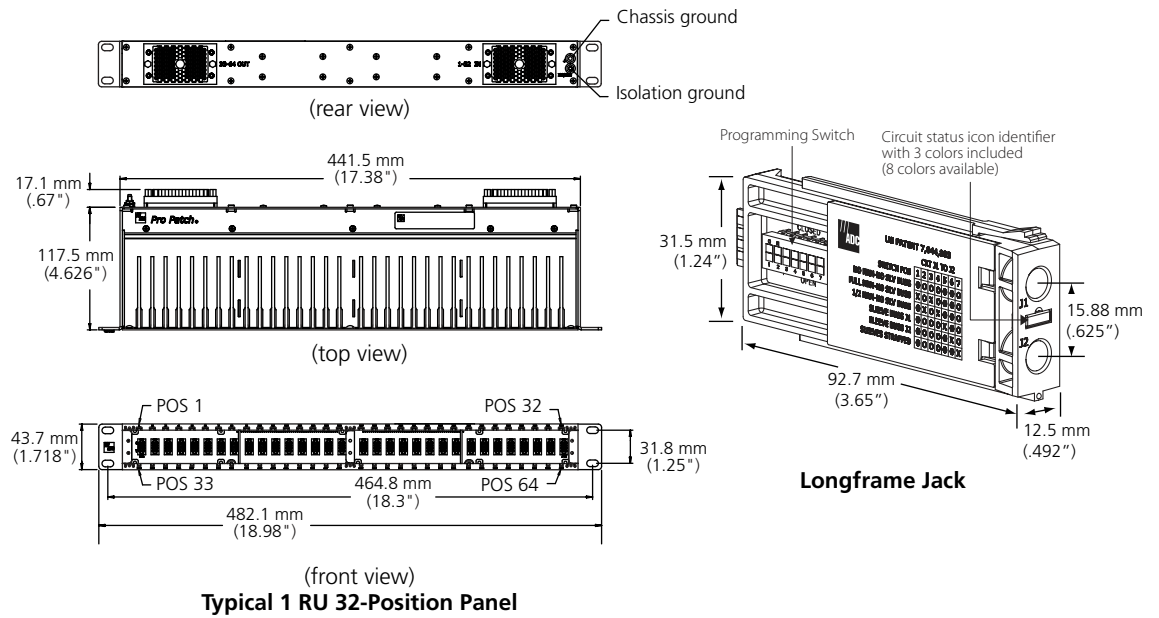


ProPatch® Programmable Series

High-Density Patching Systems

Longframe Chassis and Jack Dimensions

5/08 • 104974AE ProPatch® Programmable Series





ProPatch® Programmable Series

High-Density Patching Systems



2x48 Bantam Panel
(shown with designation)

Ordering Information

Description	Catalog Number	
2x48 Bantam Panels		
EDAC 3-Pin	Loaded chassis configured:	
	Half normalled	PPP1248-E3-HN
	Half normalled, with mating connector kit	PPP1248-E3-HN-S
	No normals	PPP1248-E3-NN
	No normals, with mating connector kit	PPP1248-E3-NN-S
	Normals strapped	PPP1248-E3-NS
	Normals strapped, with mating connector kit	PPP1248-E3-NS-S
	Empty chassis	PPP1248-E3
Empty chassis, with mating connector kit	PPP1248-E3-S	
EDAC 56-Pin	Loaded chassis configured:	
	Half normalled	PPP1248-E56-HN
	Normals strapped	PPP1248-E56-NS
Empty chassis	PPP1248-E56	
EDAC 90-Pin	Loaded chassis configured:	
	Half normalled	PPP1248-E90-HN
	Half normalled, with mating connector kit	PPP1248-E90-HN-S
	Normals strapped	PPP1248-E90-NS
	Normals strapped, with mating connector kit	PPP1248-E90-NS-S
Empty chassis	PPP1248-E90	
AMP 50 8 connectors	Loaded chassis configured: Normals strapped	PPP1248-A50-NS
	Empty chassis	PPP1248-A50
AMP 50 (Intercom) 4 connectors	Loaded chassis configured:	
	Half normalled	PPP1248-ICA50-HN
	Normals strapped	PPP1248-ICA50-NS
Empty chassis	PPP1248-ICA50	
QCP MKII	Loaded chassis configured:	
	Half normalled	PPP1248-QCP-HN
	Normals strapped	PPP1248-QCP-NS
Empty chassis	PPP1248-QCP	

5/08 • 104974AE ProPatch® Programmable Series



EDAC 3-pin Chassis
PPP1248-E3-NS (rear view)



EDAC 56-pin Chassis
PPP1248-E56-NS (rear view)



EDAC 90-pin Chassis
PPP1248-E90-NS (rear view)



ProPatch® Programmable Series

High-Density Patching Systems



2x32 Longframe Panel
(front view)

5/08 • 104974AE ProPatch® Programmable Series

Ordering Information

Description		Catalog Number
2x32 Longframe Panels		
EDAC 3-Pin	Loaded chassis configured:	
	Half normalled	PPP1232-E3-HN
	Half normalled, with mating connector kit	PPP1232-E3-HN-S
	Empty chassis	PPP1232-E3
	No normals	PPP1232-E3-NN
	No normals, with mating connector kit	PPP1232-E3-NN-S
	Normals strapped	PPP1232-E3-NS
	Normals strapped, with mating connector kit	PPP1232-E3-NS-S
EDAC 56-Pin	Loaded chassis configured:	
	Half normalled	PPP1232-E56-HN
	Half normalled, with mating connector kit	PPP1232-E56-HN-S
	Normals strapped	PPP1232-E56-NS
	Normals strapped, with mating connector kit	PPP1232-E56-NS-S
	Empty chassis	PPP1232-E56
EDAC 120-Pin	Loaded chassis configured:	
	Half normalled	PPP1232-E120-HN
	Half normalled, with mating connector kit	PPP1232-E120-HN-S
	Normals strapped	PPP1232-E120-NS
	Normals strapped, with mating connector kit	PPP1232-E120-NS-S
	Empty chassis	PPP1232-E120
LSA-PLUS®	Loaded chassis configured:	
	Half normalled	PPP1232-LSA-HN
	Normals strapped	PPP1232-LSA-NS
	Empty chassis	PPP1232-LSA
QCP MKII	Loaded chassis configured:	
	Half normalled	PPP1232-QCP-HN
	Normals strapped	PPP1232-QCP-NS
	Empty chassis	PPP1232-QCP



ProPatch® Programmable Series

High-Density Patching Systems



2x24 Longframe Panel
(front view)

Ordering Information

Description	Catalog Number	
2x24 Longframe Panels		
EDAC 90-Pin	Loaded chassis configured:	
	Half normalled	PPP1224-E90-HN
	Half normalled, with mating connector kit	PPP1224-E90-HN-S
	Normals strapped	PPP1224-E90-NS
	Normals strapped, with mating connector kit	PPP1224-E90-NS-S
Empty chassis	PPP1224-E90	
LSA-PLUS®	Loaded chassis configured:	
	Half normalled	PPP1224-LSA-HN
	Normals strapped	PPP1224-LSA-NS
Empty chassis	PPP1224-LSA	
QCP MKIV	Loaded chassis configured:	
	Half normalled	PPP1224-MKIV-HN
	Normals strapped	PPP1224-MKIV-NS
Empty chassis	PPP1224-MKIV	
QCP MKII	Loaded chassis configured:	
	Half normalled	PPP1224-QCP-HN
	Normals strapped	PPP1224-QCP-NS
Empty chassis	PPP1224-QCP	



QCP MKII Chassis
(rear view)



LSA-PLUS Chassis
(rear view)

5/08 • 104974AE ProPatch® Programmable Series



ProPatch® Programmable Series

Accessories

ADC manufactures accessories for use with our audio patch panels. These include connectors, adapters, tool kits, designation strip kits, patch cord holders, optional cable support bars, and more.



Bantam Jack
(AM1-BAN)



Longframe
(AM-LF1)



1.5 RU Chassis Conversion Kit
(PPP-15-CHAS-KIT)

Ordering Information

Description	Catalog Number
Programmable Audio Jacks	
Bantam	AM1-BAN
Longframe	AM-LF1
1.5 RU Chassis Conversion Kit for Bantam and Longframe	PPP-15-CHAS-KIT



EDAC
90-Shell Kit



EDAC
38-Shell Kit



EDAC
Crimp Tool

Ordering Information

Description	Catalog Number
EDAC Tools (manufactured by Paladin) and Receptacle Connector Kits (manufactured by EDAC)	
Kit for EDAC 90-pin, includes 1 shell, 90 crimp-type pins, and hood	EDAC-90P-SHELL
Kit for EDAC 56-pin, includes 1 shell, 56 crimp-type pins, and hood	EDAC-56P-SHELL
Kit for EDAC 38-pin, includes 1 shell, 38 crimp-type pins, and hood	EDAC-38P-SHELL
Kit for EDAC 3-pin, includes 1 shell and 3 crimp-type pins	EDAC-3P-SHELL
Kit for EDAC 3-pin, complete for 2x24 panel	EDAC-3PIN-2X24-KIT
Kit for EDAC 3-pin, complete for 2x26 panel	EDAC-3PIN-2X26-KIT
Kit for EDAC 3-pin, complete for 2x32 panel	EDAC-3PIN-2X32-KIT
Kit for EDAC 3-pin, complete for 2x48 panel	EDAC-3PIN-2X48-KIT
Tool for crimping EDAC connector pins	EDAC-CRIMP-TOOL
EDAC pin removal tool	EDAC-EXTRACTION-TOOL

5/08 • 104974AE ProPatch® Programmable Series



ProPatch® Programmable Series

Accessories

5/08 • 104974AE ProPatch® Programmable Series



LSA-PLUS® Punchdown Tool



Q-150



SLVG-1



QB-2



Q-115

Ordering Information

Description	Catalog Number
LSA-PLUS® Punchdown Tool	DM-GIGE-TOOL-KIT
QCP Tools	
Impact tool for MKII panels, with tip	QB-2
Tool for MKIV panels, with tip	QB-4
Replacement tip for QB-2	QB-2T
Replacement tip for QB-2, long	QB-2LT
Replacement tip for QB-4	QB-4T
Replacement tip for QB-4, long	QB-4LT
Manual tool for MKII panels	Q115
QCP tool holder	Q150



PPH



Shown: BAL-XLR-BNC-F
BAL-XLR-BNC-M

Ordering Information

Description	Catalog Number
Designation Kits	
11.2 mm (.44")	VP-DES-440
17.3 mm (.68")	VP-DES-680-B
35.6 mm (1.4")	VP-DES-1400-B
Sleeving Kit – Kit includes 100 pieces of 2.5" (6.35 cm) clear PVC, 22 AWG or smaller	SLVG-1
ProPatch® Cord Holders – Holds up to 75 video or audio patch cords (bantam or longframe); mounts on a wall or in a rack; 14"W x 3"D (356 mm x 76 mm)	PPH
Audio Baluns, 110 Ω to 75 Ω	
BNC to female XLR	BAL-XLR-BNC-F
BNC to male XLR	BAL-XLR-BNC-M



ProPatch® Programmable Series

Accessories

Whatever the accessory you need for your audio patchbay, the quality source is ADC. Products available include patch cords, connectors and jacks, designation strip kits, and more.

High-Performance Audio Patch Cords

ProPatch® audio patch cords are engineered for flawless performance and durability. Nickel plating protects plugs against corrosion and ensures smooth insertion, and the exclusive dielectric compound between conductors provides low capacitance for the best signal performance. The flexible cord drapes neatly without kinking, and the plug is molded directly onto the cord for outstanding strain relief.



All ADC patch cords are designed to meet MIL-P642 and are machined after molding for perfect concentricity, ensuring consistent, reliable jack operation.

Features

- Meets demanding MIL-J641 and MIL-P642 standards for plug compliance
- Precision WEICO 310 (longframe) and bantam plugs assure proper jack performance
- Quad-star construction for low noise performance
- Models for analog or digital audio
- Standard lengths from .6 m (2 feet) to 1.8 m (6 feet). Other lengths available on request
- Colors include red, green, blue, or black. Some cords also available in yellow or gray
- Conversion patch cords for RS-422 to RJ45. (Conversion patch cords for longframe to bantam, single to dual, are also available. Please contact ADC.)

Catalog Number

Color

R	Red
G	Green
B	Blue
Y	Yellow*
BK	Black
GY	Gray*

DA	Digital audio (black only)
----	----------------------------

Cable Length

LEAVE BLANK	Longframe plug
B	Bantam plug

Cable Length

2	.6 m (2')
3	.9 m (3')
4	1.2 m (4')
6	1.8 m (6')

* Non-standard colors. Please contact ADC for these and other non-standard colors.

Dual patch cords are available. Add a "2" after length. For example, R22 = Red (2') dual longframe
R22B = Red (2') dual bantam

5 / 0 8 • 1 0 4 9 7 4 A E ProPatch® Programmable Series



ProPatch® Programmable Series

Accessories

Individual longframe and bantam plugs are available featuring low capacitance injection-molded insulators and precision-machined brass or nickel-plated conductors for smooth insertion and best signal performance. Wire connections are made via miniature screw terminals. These plugs provide the best fit and performance to match ADC patch panels.

Longframe Audio Plugs

Ordering Information

Description	Color	Catalog Number
Three-Conductor Longframe Plugs (field installable)		
Single	Red	PJ051R
Single	Black	PJ051B
Single, nickel-plated	Black	PJ051B-MN
Looping Plugs – internal connections tie together corresponding tip, ring and sleeve conductors to allow looping of jack circuits	Black	PJ4
Hole Plugs – for longframe panels to fill unused jack positions	Black	PJ29

Bantam Audio Plugs

Ordering Information

Description	Color	Catalog Number
Three-Conductor Bantam Plugs		
Single plug; attachable plug; two lugs, shell mounting screw and two lug attachment screws supplied	Red	PJ777R
	Black	PJ777B
Dual plug; attachable plug; four lugs, two shell mounting screws and four lug attachment screws supplied	Black	PJ778B
Looping Plugs – Used to “loop” or patch adjacent jack circuits; plug conductors strapped internally; wired tip to tip, ring to ring and sleeve to sleeve	Black	PJ746
Hole Plugs – For bantam panels to fill unused jack positions	Red	PJ729R
	Black	PJ729B
Single Bantam Circuit Guard Plugs – To identify or block entry to critical circuits; does not actuate circuit	Red	PJ925R
	White	PJ925W
	Black	PJ925B

SPEC SHEET



Website: www.adc.com

From North America, Call Toll Free: 1-800-366-3891 • Outside of North America: +1-952-938-8080

Fax: +1-952-917-3237 • For a listing of ADC's global sales office locations, please refer to our website.

ADC Telecommunications, Inc., P.O. Box 1101, Minneapolis, Minnesota USA 55440-1101

Specifications published here are current as of the date of publication of this document. Because we are continuously improving our products, ADC reserves the right to change specifications without prior notice. At any time, you may verify product specifications by contacting our headquarters office in Minneapolis. ADC Telecommunications, Inc. views its patent portfolio as an important corporate asset and vigorously enforces its patents. Products or features contained herein may be covered by one or more U.S. or foreign patents. An Equal Opportunity Employer

104974AE 5/08 Original © 2008 ADC Telecommunications, Inc. All Rights Reserved

Free Manuals Download Website

<http://myh66.com>

<http://usermanuals.us>

<http://www.somanuals.com>

<http://www.4manuals.cc>

<http://www.manual-lib.com>

<http://www.404manual.com>

<http://www.luxmanual.com>

<http://aubethermostatmanual.com>

Golf course search by state

<http://golfingnear.com>

Email search by domain

<http://emailbydomain.com>

Auto manuals search

<http://auto.somanuals.com>

TV manuals search

<http://tv.somanuals.com>