

SonoFlat Systems™

SFS-112

Installation Guidelines

Congratulations on purchasing a SonoFlat™ SFS-112™ System from Auralex® Acoustics.

You're now on your way to creating a world class listening environment.

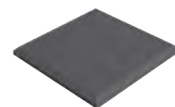
SonoFlat Systems offer a sophisticated look by utilizing a specialized flat-faced cut of Auralex's industry-leading Studiofoam. The SFS-112 system contains both SonoFlat Panels and SonoColumns, which when used together, provide incredibly effective broadband absorption in any room. Use the SFS-112 alone for treatment of small to medium-sized rooms or in combination with other Auralex products for full control of larger spaces.

Thank you for Purchasing Auralex® Total Sound Control® Products!

SonoFlat SFS-112 System Components



24



SonoFlat Panels™

4



SonoCollars™

4



SonoColumns™

5



Tubetak Pro™



SonoFlat SFS-112 General Information

Recommended Additional Installation Materials

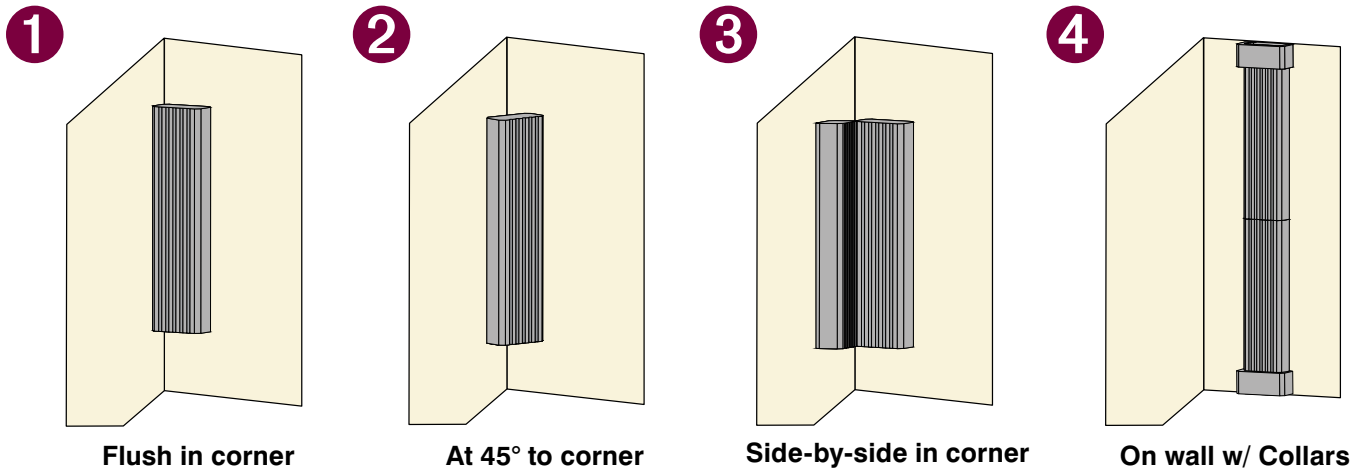
- Caulk-gun (for *Tubetak Pro*)
- Carpenters Level
- Pencil
- Tape measure
- Small ladder (depending on ceiling height)

Optional Additional Installation Materials

- Foamtak Spray Adhesive*
- T-Pins 

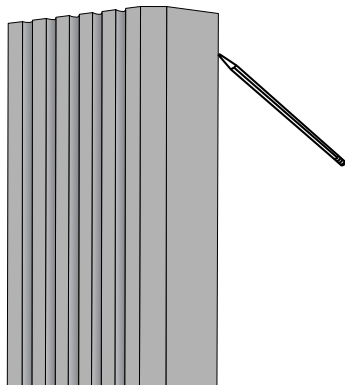
* This system includes **Tubetak Pro Adhesive**, which is safe to use on all included products. You may wish to use Auralex's **Foamtak** Spray Adhesive for quicker drying times. **Foamtak** is available through all Auralex authorized dealers.

SonoColumn Placement Options

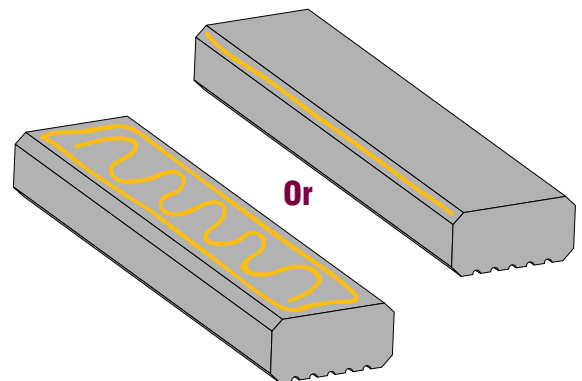


SonoColumn Installation Guide

- 1 Mark intended location of each **SonoColumn**.



- 2 Apply **Tubetak Pro** to either the back or the beveled edge of the **SonoColumn**, depending on chosen placement.



SonoColumn Installation Guide Continued

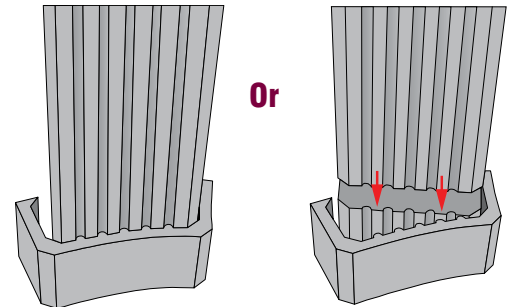
- 3 Carefully press **SonoColumn** to the marked location of the wall or ceiling. Maintain continuous pressure. Depending on environmental and surface conditions, it will take anywhere from 2-4 minutes to hold.



TIP

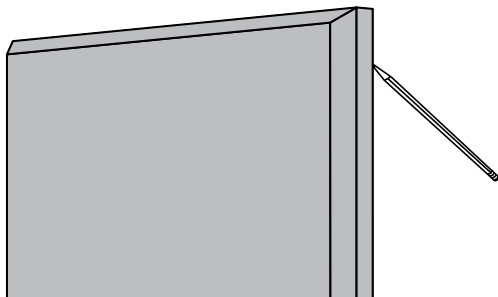
For a stronger hold, with the adhesive applied, press **SonoColumn** firmly into place, immediately remove it and press it firmly again into the same spot.

- 4 Place **SonoCollar** around **SonoColumn**, if desired. The inside section of each **SonoCollar** can also be used to increase the height of the **SonoColumn** by 6".

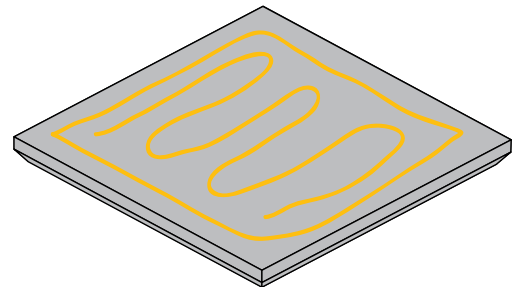


SonoFlat Panel Installation Guide

- 1 Mark intended location of each **SonoFlat Panel** on the wall or ceiling.



- 2 Apply **Tubetak Pro** to the back of the **SonoFlat Panel**, as pictured.



- 3 Carefully press **SonoFlat Panel** to the marked location of the wall or ceiling. Maintain continuous pressure. Depending on environmental and surface conditions, it will take anywhere from 2-4 minutes to hold.



TIP

You can use T-Pins to temporarily hold the panel in place while the adhesive sets.

SonoFlat System Installations



See the **Auralex® Acoustics** website, www.auralex.com, for more information about these and other **Total Sound Control®** products.

These are general recommendations. Should you have any additional questions about the installation of your **SonoFlat™ System**, feel free to contact an **Auralex® Application Specialist** via email at appsupport@auralex.com or call 1-800-95-WEDGE.



Free Manuals Download Website

<http://myh66.com>

<http://usermanuals.us>

<http://www.somanuals.com>

<http://www.4manuals.cc>

<http://www.manual-lib.com>

<http://www.404manual.com>

<http://www.luxmanual.com>

<http://aubethermostatmanual.com>

Golf course search by state

<http://golfingnear.com>

Email search by domain

<http://emailbydomain.com>

Auto manuals search

<http://auto.somanuals.com>

TV manuals search

<http://tv.somanuals.com>