

# IK-HR3H

ULTRA-SMALL 1080P  
1-CHIP CMOS  
HD VIDEO CAMERA



## Features

- 2.1MP, progressive, 1/3" HD CMOS sensor
- 1920 x 1080 Digital DVI output
- High sensitivity and wide dynamic range
- Up to 900 TV lines resolution
- 5 User-configurable scene files to achieve exceptional color accuracy and control
- Binning mode for 4x increase in sensitivity
- Image flip and mirror
- Switchable between 1080p and 1080i
- Gen lock for 3D and multi-camera use
- Camera heads are interchangeable with controller
- Remote control via RS232
- C-mount lens mount
- Control unit also compatible with 3-CMOS IK-HD3H camera head

## Applications

- 3-D applications
- Microscopy / endoscopy
- Scientific imaging / diagnostics
- Broadcast
- Aerospace / Defense

## Ultra-Small HD Camera Loaded with User-Controlled Features

Toshiba introduces a new ultra-compact and feature-rich progressive scan, 1080p, high-definition CMOS camera. Compatible with our new IK-HD3D controller, the 1-CMOS, 2.1MP camera provides phenomenal resolution, sensitivity, and offers unprecedented user-controlled features for optimal color accuracy with advanced noise reduction technology. Its compact size, C-mount lens compatibility and exceptional video performance provide flexibility to fit diverse applications, mechanical considerations and budgets. Call or visit our web site for the latest updates.

[www.toshibacameras.com](http://www.toshibacameras.com)



**TOSHIBA**  
Leading Innovation >>>



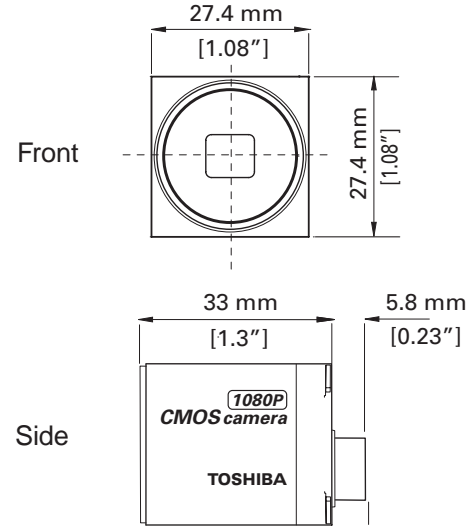
# IK-HR3H

## Performance Specifications 1-CMOS 1080P HD Camera

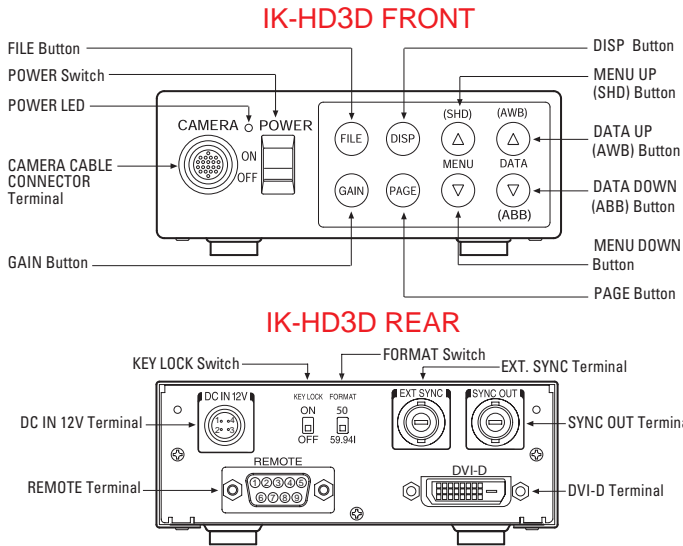
### Camera Head Specifications

Image Sensor	1-CMOS, 1/3 inch, 2.1MP progressive
Output Resolution	Horizontal : 1920, Vertical : 1080
Resolution : H : V	900 TV lines standard 900 TV lines standard
Sensitivity	F7 standard (59.94 Hz setting) F7.7 standard (50 Hz setting) (at 2000 lx, 3000 K)
Minimum Illumination	9.9 lx (59.94 Hz setting) 8.2 lx (50 Hz setting) at F2.2, 20 dB, BINNING: ON 19.8 lx (59.94 Hz setting) 16.3 lx (50 Hz setting) at F2.2, 20 dB, BINNING: OFF
S/N Ratio	56 dB standard AGC: OFF, Gamma: OFF, Enhance: OFF
Ambient Temperature	0°C to 40°C / 32°F to 104°F
Ambient Humidity	Less than 90%
Weight	Approx. 34 g (1.2 oz)
Dimensions	W: 27.4 mm H: 27.4 mm D: 33 mm (1.08" x 1.08" x 1.3") Protruding portion is not included

### Camera Head Exterior Dimensions



### Controller Front and Back Panels



### IK-HD3D Controller Specifications

Power Supply	12V DC±10%
Power Consumption	11.4 W
Scanning System	Progressive / Interlaced (Selectable)
Scan Frequency	H: 67.433 kHz, V: 59.94 Hz : 1080p / 59.94 Hz H: 56.250 kHz, V: 50 Hz : 1080p / 50 Hz H: 33.716 kHz, V: 59.94 Hz : 1080i / 59.94 Hz H: 28.125 kHz, V: 50 Hz : 1080i / 50 Hz
Ambient Temperature	0°C to 40°C / 32°F to 104°F
Ambient Humidity	Less than 90%
Weight	Approx. 610 g (1.34 lbs.)
Dimensions	W: 110 mm, H: 40 mm, D: 186 mm (4.33" x 1.58" x 7.32")
Scene Files	5 User-configurable scene files
White Balance	Auto / Manual (Selectable)
Gain	Auto (0 - 20 dB); Manual (-3 - 20 dB), OFF
Output Signal	DVI-D
Electronic Shutter	Auto / Manual / OFF 1/60 - 1/10,000

Complies to FCC Part 15 Subpart B, Class A; EN61000-6-4, EN61000-6-2

### System Components

For further details, contact your Toshiba ME/FA distributor.

#### CAMERA SYSTEM

IK-HR3H

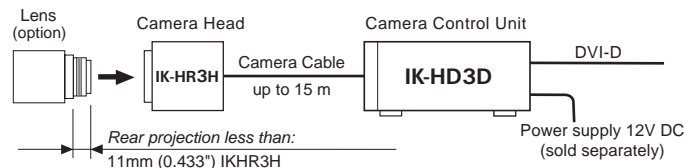
#### CAMERA CABLE

Model	Length
EXC-3HD03	3 m
EXC-3HD06	6 m
EXC-3HD10	10 m
EXC-3HD15	15 m

#### CAMERA CONTROL UNIT

IK-HD3D

### Connection



**TOSHIBA**  
Leading Innovation >>>

Toshiba America Information Systems, Inc.  
Imaging Systems Division  
9740 Irvine Boulevard, Irvine, California 92618  
www.toshibacameras.com

© 2013-2014 Toshiba America Information Systems, Inc. All rights reserved. All products and names mentioned are the property of their respective owners. While Toshiba has made every effort at the time of publication to ensure the accuracy of the information provided herein, product specifications, configurations, prices, system/component/options availability are all subject to change without notice.

REFER TO OUR WEBSITE FOR THE LATEST UPDATES.

## Free Manuals Download Website

<http://myh66.com>

<http://usermanuals.us>

<http://www.somanuals.com>

<http://www.4manuals.cc>

<http://www.manual-lib.com>

<http://www.404manual.com>

<http://www.luxmanual.com>

<http://aubethermostatmanual.com>

Golf course search by state

<http://golfingnear.com>

Email search by domain

<http://emailbydomain.com>

Auto manuals search

<http://auto.somanuals.com>

TV manuals search

<http://tv.somanuals.com>