



MODEL: IRG INSTANT RECOVERY GRIDDLE



Model IRG36



CSA design certified. NSF listed.

Approved by _____

Date: _____

**SPECIFY TYPE OF GAS WHEN ORDERING.
SPECIFY ALTITUDE WHEN ABOVE 2,000 FT.**

BASIC MODELS:

IRG-36	36" wide, 60,000 BTU/hr.
IRG-48	48" wide, 80,000 BTU/hr.
IRG-60	60" wide, 100,000 BTU/hr.
IRG-72	72" wide, 120,000 BTU/hr.

KEY FEATURES:

- Stainless steel front and sides.
- 4" adjustable chrome plated legs.
- 1" thick, 24" deep highly polished steel griddle plate.
- 4½" high stainless steel side and back splashes.
- 3" wide stainless steel front grease trough drains into large capacity grease collector(s). (60" and 72" griddles have two grease collectors.)
- Full width chrome plated towel bar.
- One 20,000 BTU/hr. infrared burner with solid state temperature control and electronic spark igniter for each 12" of griddle width. Controls are recessed and concealed behind a hinged panel. Adjusts from 150° to 500°F.
- ¾" rear gas connection and gas pressure regulator.
- 115 volt, 50/60 Hz, 1 phase control circuit. ½ amp draw. 6' power cord with 3 prong plug.
- One year limited parts and labor warranty.

OPTIONAL FEATURES:

- Chrome griddle plate.
- Side grease collector(s). Drip edge and one grease collector on the left side. Adds 3" to overall width. Grease collectors on both sides. Adds 6" to the overall width.
- Floor model griddle with chrome legs and stainless steel undershelf.
- Set of four casters (two locking).

DESCRIPTION:

Gas infrared griddle, Wolf Model No. _____. Stainless steel front and sides. 4" adjustable chrome plated legs. 1" thick, 24" deep highly polished steel griddle plate. 4½" high stainless steel side and back splashes. 3" wide stainless steel front grease trough drains into large capacity grease collector(s). Full width chrome plated guard rail. One 20,000 BTU/hr. infrared burner with solid state temperature control and electronic spark igniter for each 12" of griddle width. Controls are recessed and concealed behind a hinged panel. Adjusts from 150° to 500°F. ¾" rear gas connection and gas pressure regulator. 115 volt, 50/60 Hz, 1 phase control circuit. ½ amp draw. 6' power cord with 3 prong plug.

Exterior dimensions: _____"w x 33½"d x 13¼" working height on 4" legs.

WOLF RANGE COMPANY

Wolf Range Company
Division of ITW Food Equipment Group LLC
(800) 366-9653
www.wolfrange.com



MODEL: IRG INSTANT RECOVERY GRIDDLE

INSTALLATION REQUIREMENTS:

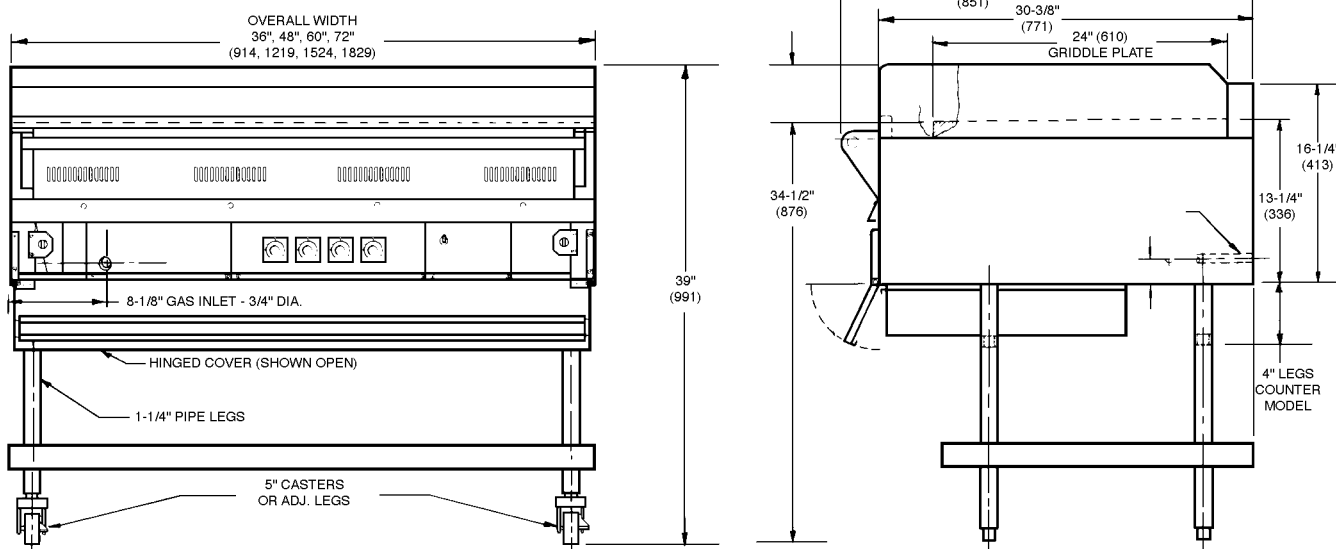
1. A gas pressure regulator sized for this unit is included. Natural Gas 5.0" W.C. Propane Gas 10.0" W.C.
2. Gas line connecting to appliance must be 3/4" diameter or larger. If flexible connectors are used, the inside diameter must be the same as the 3/4" iron pipe.
3. 115 volt, 50/60 Hz, 1 phase control circuit. 1/2 amp draw. Provided with 6' power cord with 3 prong plug.
4. An adequate ventilation system is required for commercial cooking equipment. Information may be obtained by writing to the National Fire Protection Association, 1 Batterymarch Park, Quincy, MA 02169, www.NFPA.org. When writing, refer to NFPA No. 96.
5. These units are manufactured for installation in accordance with National Fuel Gas Code, ANSI-Z223.1/NFPA #54 (latest edition). Copies may be obtained from The American Gas Association, Accredited Standards Committee Z223 @ 400N. Capital St. NW, Washington, DC 20001, or the Secretary Standards Council, NFPA, 1 Batterymarch Park, Quincy, MA 02169-7471.

NOTE: In the Commonwealth of Massachusetts

All gas appliances vented through a ventilation hood or exhaust system equipped with a damper or with a power means of exhaust shall comply with 248 CMR.

6. Clearances:

	Combustible	Non-Combustible
Rear	6"	0"
Sides	6"	0"



See equipment stand spec sheets for dimensions.

Model No.	BTU/hr.	Griddle Width	Griddle Surface Depth	Overall Width	No. of Controls	Approx. Ship Wt. (lbs./kg)	
						Counter	Floor
IRG36	60,000	36" x 24"	24"	36"	3	475/214	545/245
IRG48	80,000	48" x 24"	24"	48"	4	575/259	665/299
IRG60	100,000	60" x 24"	24"	60"	5	666/300	855/385
IRG72	120,000	72" x 24"	24"	72"	6	855/385	1080/486

115 volt, 50/60 Hz, 1 phase control circuit. 1/2 amp draw. Provided with 6' power cord with 3 prong plug.

**NOTE: In line with its policy to continually improve its product, Wolf Range Company reserves the right to change materials and specifications without notice.
This appliance is manufactured for commercial use only and is not intended for home use.**

Free Manuals Download Website

<http://myh66.com>

<http://usermanuals.us>

<http://www.somanuals.com>

<http://www.4manuals.cc>

<http://www.manual-lib.com>

<http://www.404manual.com>

<http://www.luxmanual.com>

<http://aubethermostatmanual.com>

Golf course search by state

<http://golfingnear.com>

Email search by domain

<http://emailbydomain.com>

Auto manuals search

<http://auto.somanuals.com>

TV manuals search

<http://tv.somanuals.com>