

INSTALLER/CONSUMER SAFETY INFORMATION

PLEASE READ THIS MANUAL
BEFORE INSTALLING AND
USING APPLIANCE

WARNING!
IF THE INFORMATION IN THIS
MANUAL IS NOT FOLLOWED
EXACTLY, A FIRE OR EXPLOSION
MAY RESULT CAUSING PROPERTY
DAMAGE, PERSONAL INJURY
OR LOSS OF LIFE.

FOR YOUR SAFETY

Installation and service must
be performed by a qualified in-
staller, service agency or
the gas supplier.

WHAT TO DO IF YOU SMELL GAS:

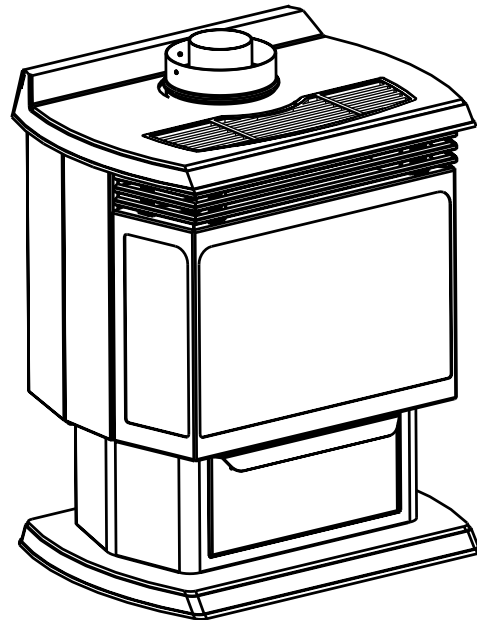
- Do not try to light any appliance.
- Do not touch any electric switch; do not use any phone in your building.
- Immediately call your gas supplier from your neighbor's phone. Follow the gas suppliers instructions.
- If you cannot reach your gas supplier call the fire department.

DO NOT STORE OR USE GASOLINE OR
OTHER FLAMMABLE VAPORS AND
LIQUIDS IN THE VICINITY OF THIS OR
ANY OTHER APPLIANCE.



Freestanding
Direct Vent
Fireplaces

IRFSDV24
IRFSDV34



Installation Instructions and Homeowner's Manual



The VermontCastings,
Majestic Products Company

410 Admiral Blvd. Mississauga,
Ontario, Canada. L5T2N6

www.majesticproducts.com / www.vermontcastings.com



INSTALLER: DO NOT DISCARD THIS MANUAL - LEAVE FOR HOMEOWNER

10004000
0102 Rev. 0

TABLE OF CONTENTS

PLEASE READ

THE INSTALLATION & OPERATING INSTRUCTIONS BEFORE USING APPLIANCE.

Thank you and congratulations on your purchase of a Irving Oil fireplace.

IMPORTANT: Read all instructions and warnings carefully before starting installation.

Failure to follow these instructions may result in a possible fire hazard and will void the warranty.

Installation Instructions	3
Important Curing/Burn Information	3
Locating Your Fireplace	3
Clearance to Combustibles	3
Fireplace Dimensions	4
Gas Specifications	5
Preparation.....	5
Gas Line Installation	5
Installation of Remote Switch for RN/RP gas valve	6
General Venting Information	7
Termination Clearance	8
General Information on Assembling Vent Pipes	9
Vertical Sidewall Installations	10
Vertical Sidewall Applications	10
Sidewall Venting Graph	11
Vent Pipe Assembly	12
Below Grade Installations (Snorkel)	13
Vertical Through-the-Roof Applications	14
Venting Components	16
Crimped End	16
Twist Lock	17
Operating Instructions	18
General Glass Information	18
Window Frame Assembly Removal	18
Glass Cleaning	18
Log Set & Lava Rock Material Installation	18
Maintenance	19
Cleaning Procedures	19
Flame Adjustment & Characteristics	19
Fan FK24	20
Optional Remote Control	21
Optional Gold Trim Kit	21
Optional Frame Window Trim Kits	21
Lighting Instructions	22
RFN/RFP Remote Control Instructions	23
Trouble Shooting the Gas Control System	25
Replacement Parts	26
Replacement Parts Pictorial	28

INSTALLATION & OPERATING INSTRUCTIONS

This gas fireplace should be installed by a qualified installer in accordance with local building codes and with current CSA-B149 (.1 or .2) Installation codes for Gas Burning Appliances and Equipment. For USA Installations follow local codes and/or the current National Fuel Gas Code. ANSI Z223.1. If the unit is being installed in a mobile home the installation should comply with the current CAN/USA Z240.4 Code.

FOR SAFE INSTALLATION AND OPERATION PLEASE NOTE THE FOLLOWING:

1. This fireplace gives off high temperatures and should be located out of high traffic areas and away from furniture and draperies.
2. Children and adults should be alerted to the hazards of fireplace high surface temperatures and should stay away to avoid burns or ignition of clothing.
3. **CAUTION: Due to high glass surface temperature children should be carefully supervised when in the same room as fireplace.**
4. Under no circumstances should this fireplace be modified. Parts removed for servicing should be replaced prior to operating this fireplace again.
5. Installation and any repairs to fireplace must be performed by qualified installer, service agency or gas supplier. A professional service person should be contacted to inspect fireplace annually. More frequent cleaning may be required due to excess lint and dust from carpeting, bedding material, etc.
6. Control compartments, burners and air passages in this fireplace should be kept clean and free of dust and lint. Make sure that the gas valve and pilot light are turned off before you attempt to clean this fireplace.
7. The venting system (chimney) of this fireplace should be checked at least once a year and if needed your venting system should be cleaned.
8. Keep the area around your fireplace clear of combustible materials, gasoline and other flammable vapour and liquids. This fireplace should not be used as a drying rack for clothing, nor should Christmas stockings or decorations be hung on or around the fireplace.
9. Under no circumstances should any solid fuels (wood, coal, paper or cardboard etc.) be used in this fireplace.
10. The flow of combustion and ventilation air must not be obstructed in any way.
11. When the fireplace is installed directly on carpeting, vinyl tile or any combustible material other than wood, this fireplace must be installed on a metal or wood panel extending the full width and depth of the fireplace.
12. This fireplace requires adequate ventilation and combustion air to operate properly.
13. This fireplace must not be connected to a chimney flue serving a separate solid fuel burning fireplace.
14. When the fireplace is not in use it is recommended that the gas control valve be left in the OFF position.

10004000

IMPORTANT:

PLEASE REVIEW THE FOLLOWING CAREFULLY

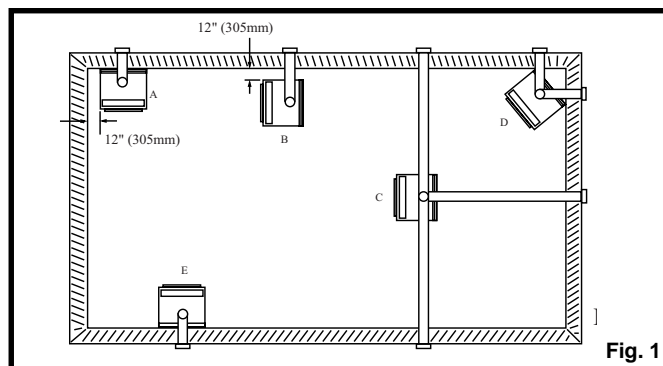
Remove any plastic from parts before turning the fireplace ON.

It is normal for fireplaces fabricated of steel to give off some expansion and/or contraction noises during the start up or cool down cycle. Similar noises are found with your furnace heat exchanger or car engine. It is not unusual for your gas fireplace to give off some odor the first time it is burned. This is due to the curing of the paint and any undetected oil from the manufacturing process.

Please ensure that your room is well ventilated-open all windows.

It is recommended that you burn your fireplace for at least ten (10) hours the first time you use it. If the optional fan kit has been installed, place the fan switch in the "OFF" position during this time.

LOCATING YOUR FIREPLACE



A - *Flat on wall B - *Room divider C - Island
D - Cross corner E - Flat on wall corner

* A & B must maintain a 12" (305 mm) clearance between the wall and side glass of fireplace.



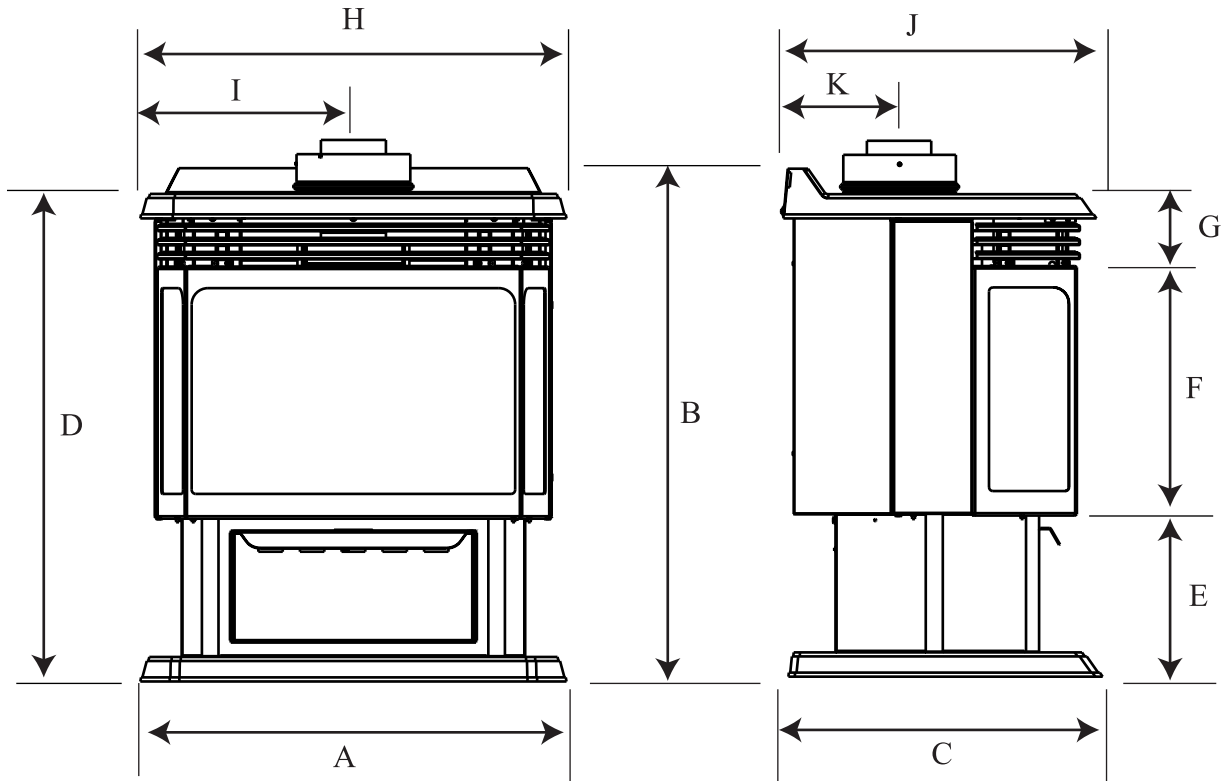
There is a minimum vertical rise required for the venting which varies depending on the application. The maximum horizontal run also has restrictions. Become familiar with the venting instructions starting on page 9, before starting the installation.

CLEARANCE TO COMBUSTIBLES

Adequate clearances as listed below must be maintained for servicing and proper operation.

Back.....	0"
Side.....	12"
Floor.....	0"
Top.....	36"
Corner.....	0" to Back Edges
Vent Pipe.....	1"

FIREPLACE DIMENSIONS



IRFSDV24		IRFSDV34	
A	23 in (584 mm)	A	26-14 in (667 mm)
B	28-3/4 in (730 mm)	B	31-1/2 in (800 mm)
C	16-5/8 in (422 mm)	C	19-3/8 in (492 mm)
D	27-3/8 in (695 mm)	D	30 in (762 mm)
E	9-1/2 in (241 mm)	E	10 in (254 mm)
F	13-7/8 in (352 mm)	F	15-1/2 in (394 mm)
G	4 in (102 mm)	G	4-1/2 in (114 mm)
H	23 in (584 mm)	H	26-1/4" (667 mm)
I	11-1/2 in (292 mm)	I	13-1/8 " (334 mm)
J	16-5/8 in (422 mm)	J	19-1/2" (495 mm)
K	6" (152 mm)	K	6-3/8 in (162 mm)

GAS SPECIFICATIONS

Model	Fuel	Gas Control	Max. Input BTU/h	Max. Input BTU/h
IRFSDV24RN	Nat	Millivolt Hi/Lo	20,000	14,000
IRFSDV24RP	Prop	Millivolt Hi/Lo	20,000	15,000
IRFSDV34RFN	Nat	Radio Frequency	30,000	21,000
IRFSDV34RFP	Prop	Radio Frequency	30,000	22,500

This appliance may be installed in an aftermarket permanently located, manufactured (mobile) home, where not prohibited by local codes.

This appliance is only for use with the type of gas indicated on the rating plate. This appliance is not convertible for use with other gases, unless a certified kit is available and used.

Input ratings are shown in BTU per hour and are certified without deration for elevations up to 4,500 feet (1,370 m) above sea level. For elevations above 4,500 feet (1,370 m) in USA, installations must be in accordance with the current ANSI Z223.1 and/or local codes having jurisdiction. In Canada, please consult provincial and/or local authorities having jurisdiction for installations at elevations above 4,500 feet (1,370 m).

CFM186

IRFSDV24/IRFSDV34 CERTIFIED TO

**ANSI Z21.88b-1999 / CSA 2.33b-M99
Vented Gas Fireplace Heaters**

GAS INLET AND MANIFOLD PRESSURES

	Natural	LP (Propane)
Input Minimum	5.5" wc	11" wc
Input Maximum	14" wc	13" wc
Manifold Pressure	3.5" wc	10" wc

10004000

PREPARATION



The use of wall paper adjacent to this fireplace is not recommended, as the high heat given off by this fireplace may adversely affect the binders in the adhesive used to apply the wallpaper.

Before beginning, remove the window frame assembly from the fireplace. Also check to make sure there is not hidden damage to the fireplace. Take a minute and plan out the gas, vent and electrical supply. See Window Frame Assembly Section.

GAS LINE INSTALLATION



When purging the gas line, the front glass must be removed.

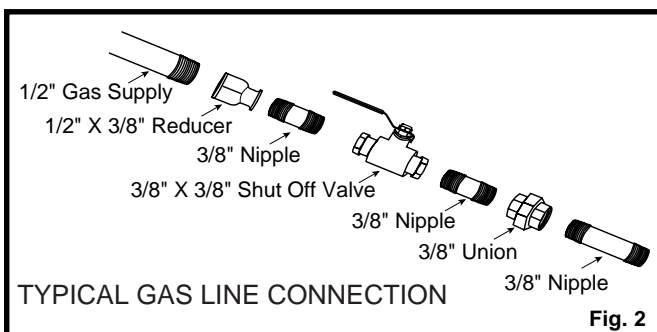
The gas pipeline can be brought in through the rear of the fireplace as well as the bottom. Opening is provided on the bottom behind the valve to allow for the gas pipe installation and testing of any gas connection. It is most convenient to bring the gas line in from the rear right side of the valve, as this allows fan installation or removal without disconnecting the gas line.



The gas line connection can be made with properly tinned 3/8" copper tubing, 3/8" rigid pipe or an approved flex connector. Since some municipalities have some additional local codes, it is always best to consult your local authority and the CSA-B149 (.1 or .2) installation code. For USA Installations consult the current National Fuel Gas Code, ANSI Z223.1.



Always check for gas leaks with a mild soap and water solution. Do not use an open flame for leak testing. The gas control is equipped with a captured screw type pressure test point, therefore it is not necessary to provide a 1/8" test point up stream of the control.



When using copper or flex connector use only approved fittings. Always provide a union when using black iron pipe so that gas line can be easily disconnected for burner or fan servicing (see Fig. 2) See gas specification for pressure details and ratings.



The fireplace valve must not be subjected to any test pressures exceeding 1/2 psi. Isolate or disconnect this or any other gas appliance control from the gas line when pressure testing.

INSTALLATION OF REMOTE SWITCH FOR RN/RP GAS VALVE

The remote ON/OFF switch can not be fitted to units using the Honeywell Radio Frequency control valve.

If the fireplace has been fitted with the Radio Frequency Control Valve, the ON/OFF function is controlled by the remote handset. (See the Comfort Control Valve Operating Instruction Section).

Install on/off switch assembly on either the rear right or left side of the Fireplace.

1. Remove the screw at the back of the cabinet top either on the left or the right side of the fireplace.
2. Position switch assembly onto the back of the fireplace, then fasten two screws as shown in Fig. 5.
3. Attach wiring under the clips on the rear casing (Fig. 5) and install wiring through the rear opening of the fireplace before connecting to the valve as shown in Fig. 4.

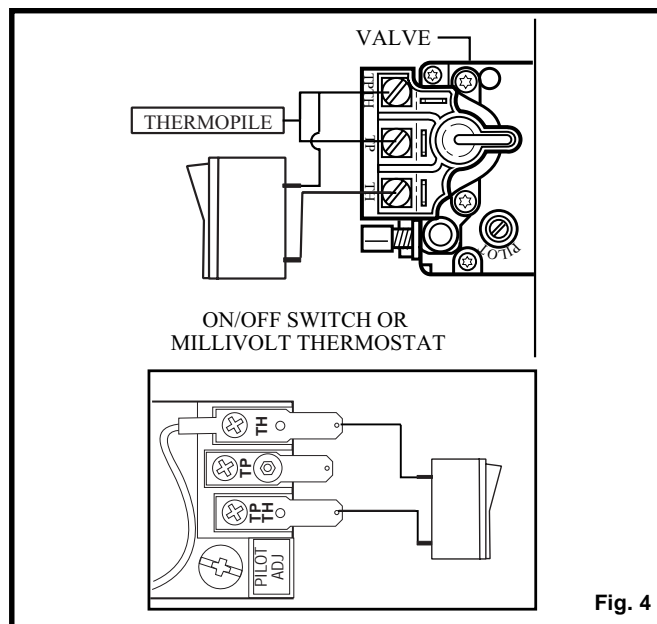


Fig. 4

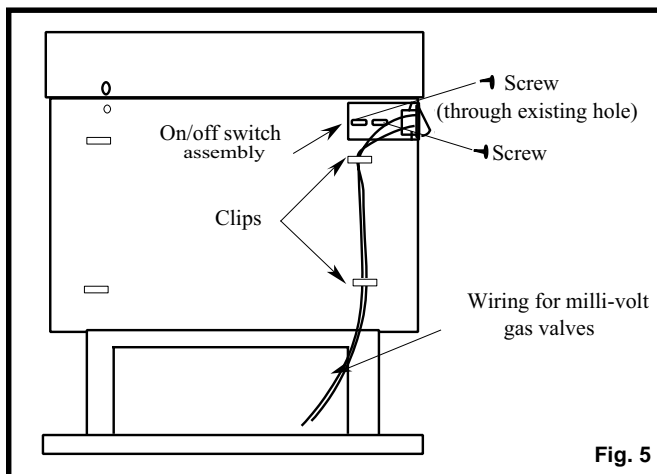
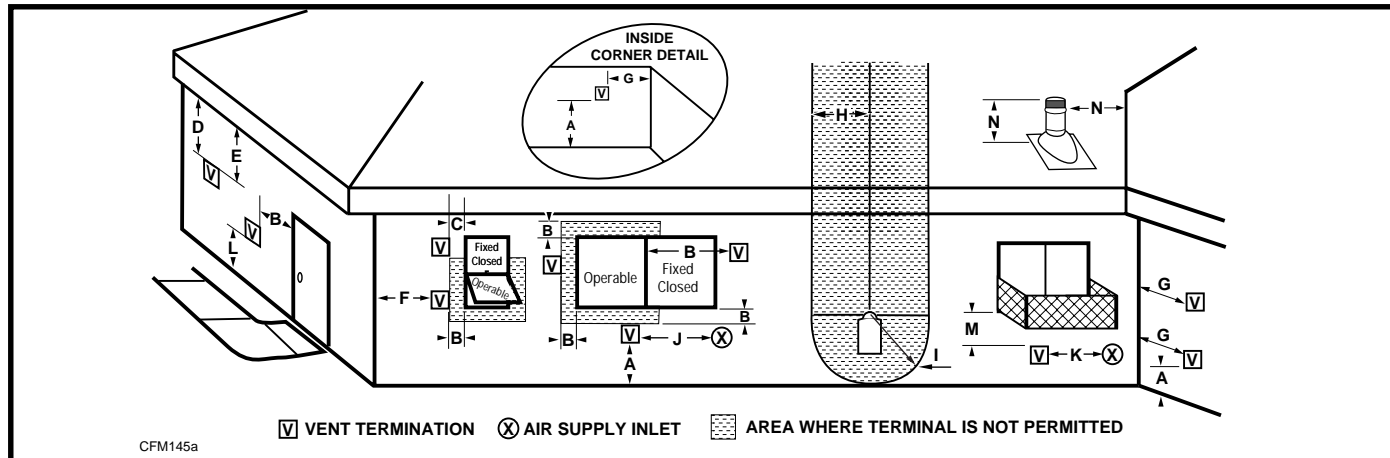


Fig. 5

GENERAL VENTING INFORMATION—TERMINATION LOCATION



	Canadian Installations ¹	US Installations ²
A = Clearance above grade, veranda, porch, deck, or balcony	12 inches (30cm)	12 inches (30 cm)
B = Clearance to window/door that may be opened	6 in (15cm) for appliances <10,000 Btuh (3kW), 12 in (30cm) for appliances > 10,000 Btuh (3kW) and < 100,000 Btuh (30kW), 36 in (91cm) for appliances > 100,000 Btuh (30 kW)	6 in (15cm) for appliances < 10,000 Btuh (3kW), 9 in (23cm) for appliances > 10,000 Btuh (3kW) and < 50,000 Btuh (15kW), 12 in (30cm) for appliances > 50,000 Btuh (15kW)
C = Clearance to permanently closed window	12 inches (305 mm) recommended to prevent window condensation	12 inches (305 mm) recommended to prevent window condensation
D = Vertical clearance to ventilated soffit located above the terminal within a horizontal distance of 2 feet (610mm) from the center line of the terminal	18" (458 mm)	18" (458 mm)
E = Clearance to unventilated soffit	12" (305 mm)	12" (305 mm)
F = Clearance to outside corner	see next page	see next page
G = Clearance to inside corner	see next page	see next page
H = Clearance to each inside of center line extended above meter/regulator assembly	3 feet (91cm) within a height of 15 feet above the meter/regulator assembly	3 feet (91cm) within a height of 15 feet above the meter/regulator assembly
I = Clearance to service regulator vent outlet	3 feet (91cm)	3 feet (91cm)
J = Clearance to non-mechanical air supply inlet to building or the combustion air inlet to any other appliance	6 in (15cm) for appliances <10,000 Btuh (3kW), 12 in (30cm) for appliances > 10,000 Btuh (3kW) and < 100,000 Btuh (30kW), 36 in (91cm) for appliances > 100,000 Btuh (30 kW)	6 in (15cm) for appliances < 10,000 Btuh (3kW), 9 in (23cm) for appliances > 10,000 Btuh (3kW) and < 50,000 Btuh (15kW), 12 in (30cm) for appliances > 50,000 Btuh (15 kW)
K = Clearance to a mechanical air supply inlet	6 feet (1.83m)	* 3 feet (91 cm) above if within 10 feet (3 m) horizontally
L = Clearance above paved sidewalk or a paved driveway located on public property	7 feet (2.13m)†	7 feet (2.13m)†
M = Clearance under veranda, porch, deck or balcony	12 inches (30cm) ‡	12 inches (30cm) ‡
N = Clearance above a roof shall extend a minimum of 24" (610mm) above the highest point when it passes through the roof surface, and any other obstruction within a horizontal distance of 18" (450mm).		

1 In accordance with the current CSA-B149 Instalation Codes.

2 In accordance with the current ANSI Z223.1/NFPA 54 National Fuel Gas Codes.

† A vent shall not terminate directly above a sidewalk or paved driveway which is located between two single family dwellings and serves both dwellings.

‡ Only permitted if veranda, porch, deck, is fully open on a minimum 2 sides beneath the floor.

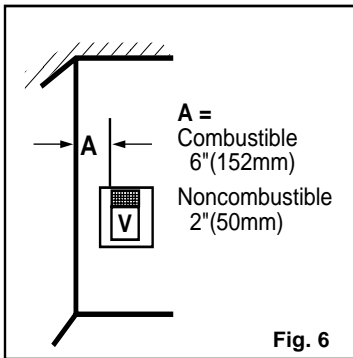
Note: 1. Local codes or regulations may require different clearances.

2. The special venting system used on Vermont Castings Majestic Products Company's Direct Vent Fireplaces are certified as part of the appliance, with clearances tested and approved by the listing agency.

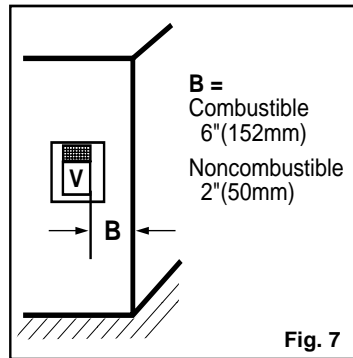
Termination Clearances

Termination clearances for buildings with combustible and noncombustible exteriors.

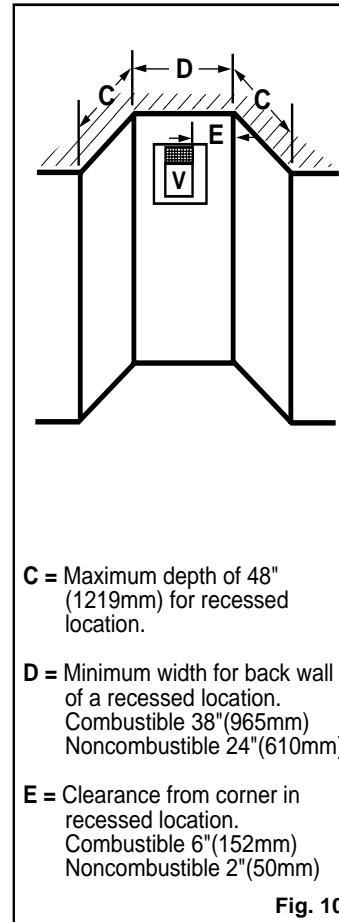
Inside Corner



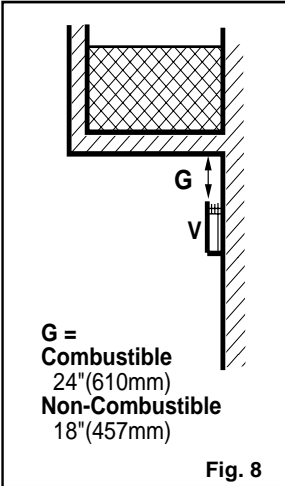
Outside Corner



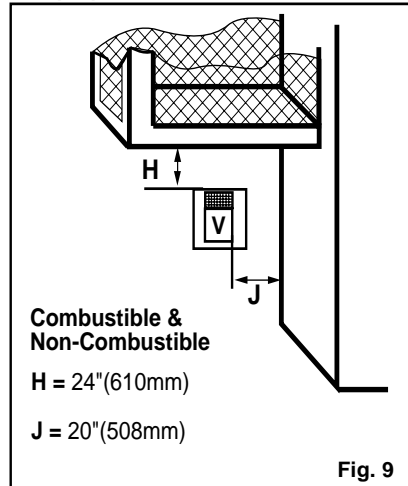
Recessed Location



**Balcony -
 with no side wall**



**Balcony -
 with perpendicular side wall**



584-15

GENERAL INFORMATION ON ASSEMBLING THE VENT PIPES IN DIRECT VENT APPLICATIONS

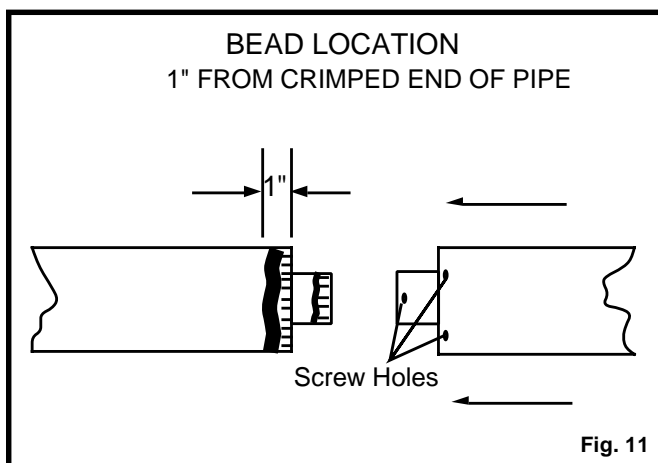
NOTE: Only venting components manufactured by The Vermont Castings Majestic Products Company may be used.

CRIMPED END PIPES

Before joining elbows and pipes apply a bead of high temperature sealant to the crimped end of the elbow or pipe. Join the pipes using a 2" (50mm) overlap and secure the joints with three (3) sheet metal screws (Fig. 11). Wipe off excess sealant.



There are polished brass decorative rings available to hide the exposed piping joints. Wrap the brass ring over the joint fitting the stud into the notch and tighten down the 3/8" nut.



CANADIAN INSTALLATIONS:

The venting system must be installed in accordance with the current CSA-B149 (.1 or .2) installation code.

USA INSTALLATIONS:

The venting system must conform with local codes and/or the current National Fuel Gas code ANSI Z223.1.

TWIST LOCK PIPES

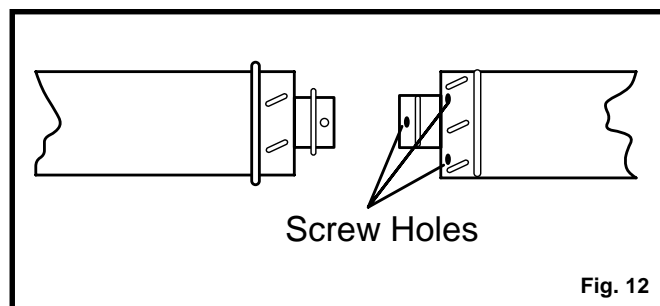
When using twist-lock pipe it is not necessary to use sealant on the twist lock joints.

The only areas of the venting system that need to be sealed with high temperature silicone sealant are the collars on the fireplace and termination, and the sliding joint of any telescopic vent section used in the system.

To join the twist lock pipes together, simply align the beads of the male end with the grooves of the female end, twisting the pipe until the flange on the female end contacts the external flange on the male end.

It is recommended that you secure the joints with three (3) sheet metal screws, however this is not mandatory with twist lock pipe.

To make it easier to assemble the joints we suggest putting a lubricant (Vaseline or similar) on the male end of the twist lock pipe.



VERTICAL SIDEWALL INSTALLATIONS

Since it is very important that the venting system maintain its balance between the combustion air intake and the flue gas exhaust, certain limitations as to vent configurations apply and must be strictly adhered to.

The graph, on page 11, showing the relationship between vertical and horizontal side wall venting will help to determine the various lengths allowable.

Minimum clearance between vent pipes and combustible materials is one 1" (25mm) on top, bottom and sides unless otherwise noted.

When the vent termination exits through foundations less than 20" below siding outcrop, the vent pipe must flush up with the siding.

It is always best to locate the fireplace in such a way that minimizes the number of offsets and horizontal vent length.

The horizontal vent run refers to the total length of vent pipe from the flue collar of the fireplace to the face of the outer wall.

Horizontal plane means no vertical rise exists on this portion of the vent assembly.

VERTICAL SIDEWALL APPLICATIONS

- The maximum number of 90° elbows per side wall installations is three (3).
- For IRFSDV24 and IRFSDV34 models the maximum horizontal run off a minimum 12" vertical rise is 3' (see Fig. 15).
- If a 90° elbow is used in the horizontal vent run (level height maintained) the maximum horizontal vent length is reduced by 36 inches, (Fig. 14). This does not apply if the 90° elbows are used to increase or redirect a vertical rise (Fig. 16).

Example: According to the chart the maximum horizontal vent length is 20' and if a 90° elbow is required in the horizontal vent it must be reduced to 17'.

In Fig. 14, Dimension A plus B must not be greater than 17' (5.2m).

- The maximum number of 45° elbows permitted per side wall installation is two (2). These elbows can be installed in either the vertical or horizontal run.
- For each 45° elbow installed in the horizontal run, the length of the horizontal run **MUST** be reduced by 18" (45cm). This does not apply if the 45° elbows are installed on the vertical part of the vent system.
- The maximum number of elbow degrees in a system is 270° (Fig. 13).

Example: In Figure 13

Elbow 1 =	90°
Elbow 2 =	45°
Elbow 3 =	45°
Elbow 4 =	90°

Total angular variation = 270°

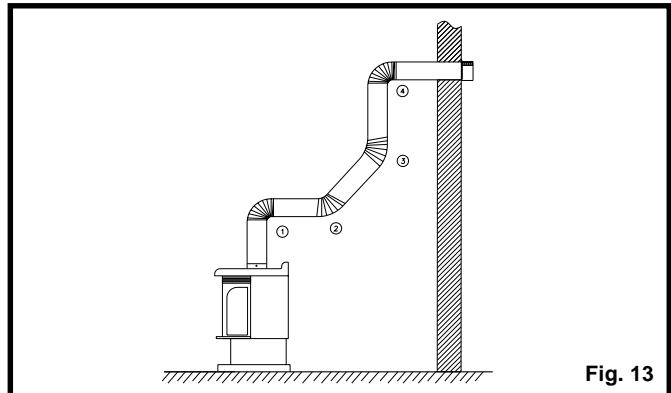


Fig. 13

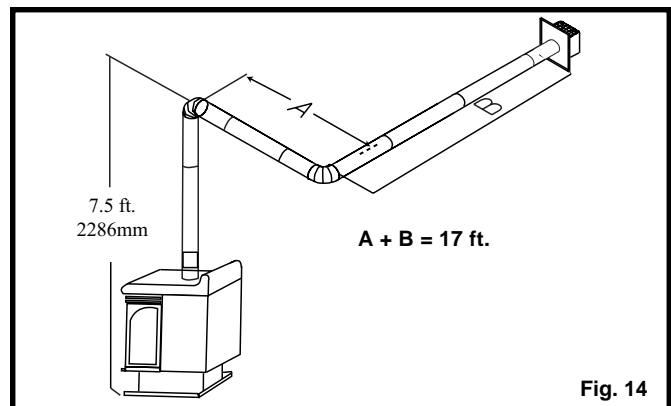


Fig. 14

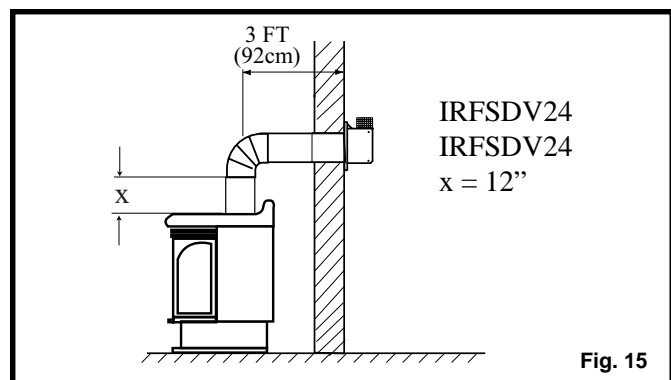


Fig. 15

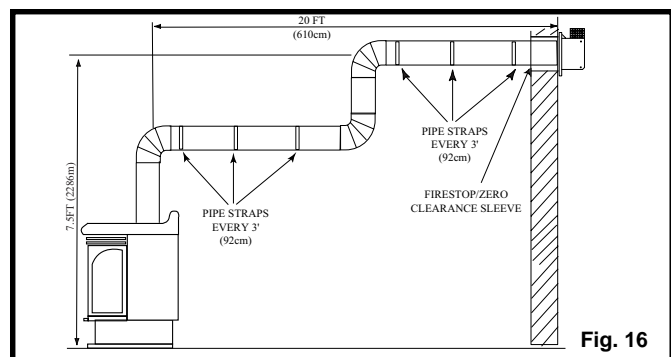


Fig. 16

TO USE THE VENT GRAPH

1. Determine the height of the center of the horizontal vent pipe exiting through the outer wall. Using this dimension on the Sidewall Vent Graph below, locate the point it intersects with the slanted graph line.
2. From the point of this intersection, draw a vertical line to the bottom of the graph.
3. Select the indicated dimension, and position the fireplace in accordance with same.

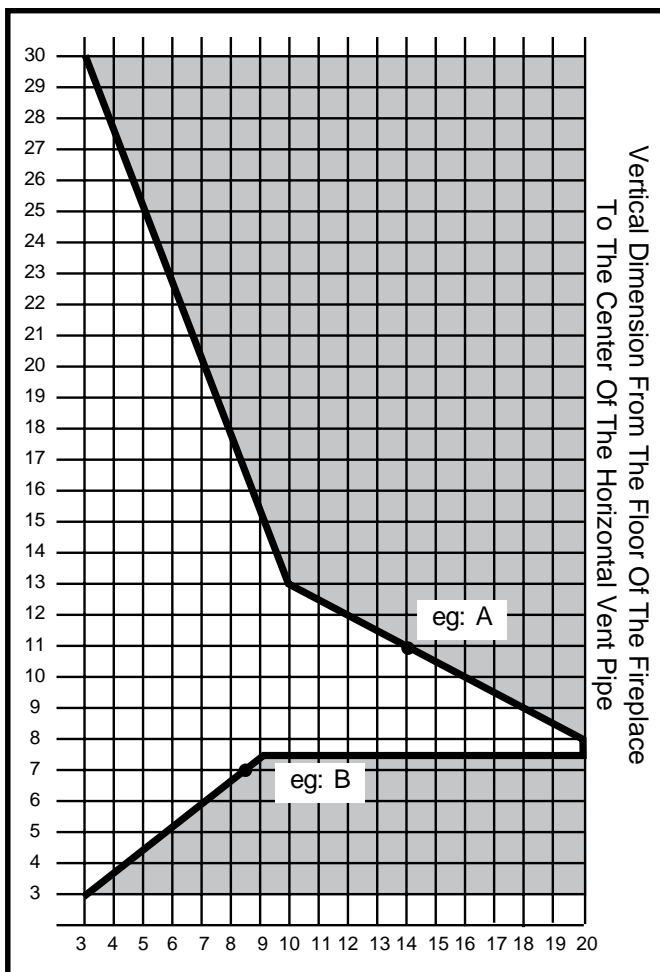
Example A:

If the vertical dimension from the floor of the fireplace is 11' (3.4m) the horizontal run to the face of the outer wall must not exceed 14' (4.3m).

Example B:

If the vertical dimension from the floor of the unit is 7' (2.14m), the horizontal run to the face of the outer wall must not exceed 8-1/2' (2.6m).

SIDEWALL VENTING GRAPH (Dimensions In Feet)

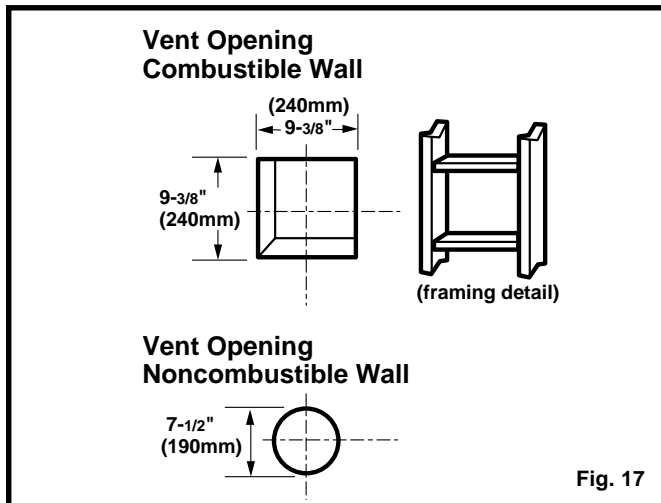


Horizontal Dimension From The Outside Face Of The Wall To The Center Of The Fireplace Vent Flange

VENT PIPE ASSEMBLY

STEP 1

Locate vent opening on the wall. It may be necessary to first position the fireplace and measure to obtain hole location. Depending on whether the wall is combustible or noncombustible, cut opening to size (Fig. 17). (For combustible walls first frame in opening. Fig. 17)




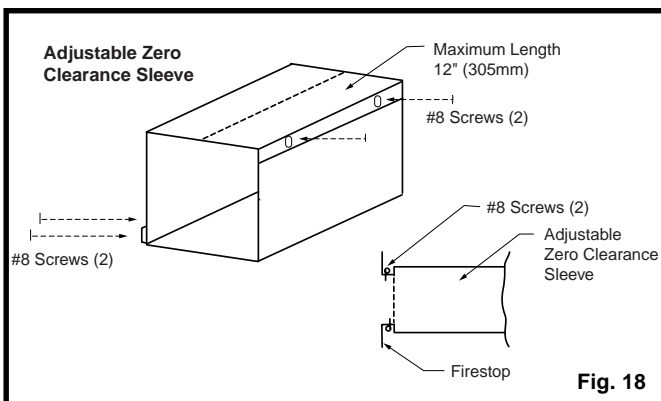
COMBUSTIBLE WALLS: Cut a 9-3/8" H x 9-3/8" W (240 mm x 240 mm) hole through the exterior wall and frame as shown Fig. 14.

NONCOMBUSTIBLE WALLS: Hole opening must be 7.5" (190 mm) in diameter.

STEP 2

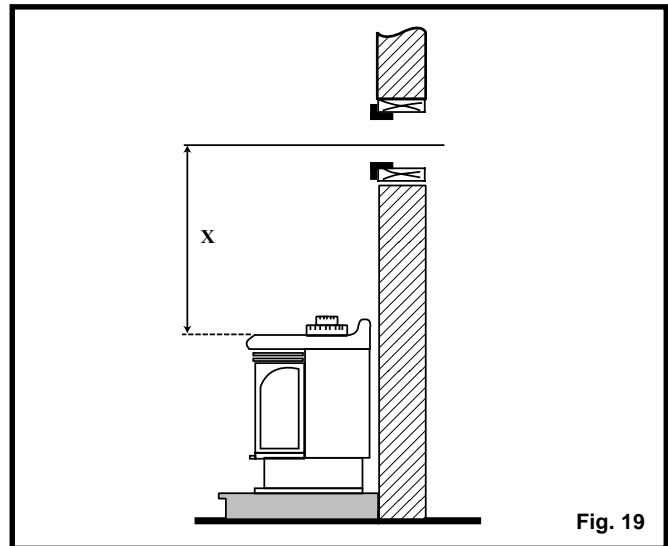
Measure wall thickness and cut zero clearance sleeve parts to proper length (MAXIMUM 12"/305 mm). Assemble sleeve and attach to firestop with #8 sheet metal screws (supplied). Install firestop assembly (Fig. 18).

 **Zero clearance sleeve is only required for combustible walls.**



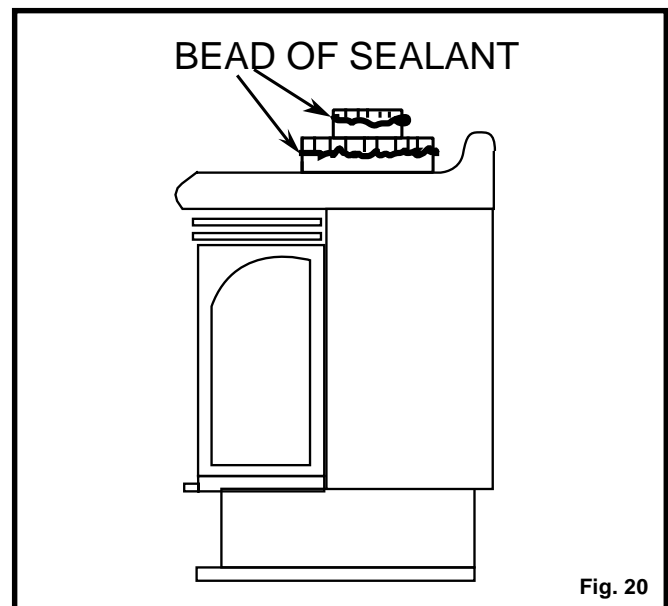
STEP 3

Place fireplace into position (Fig. 19). Measure the vertical height (X) required from the base of the flue collars to the center of the wall opening.



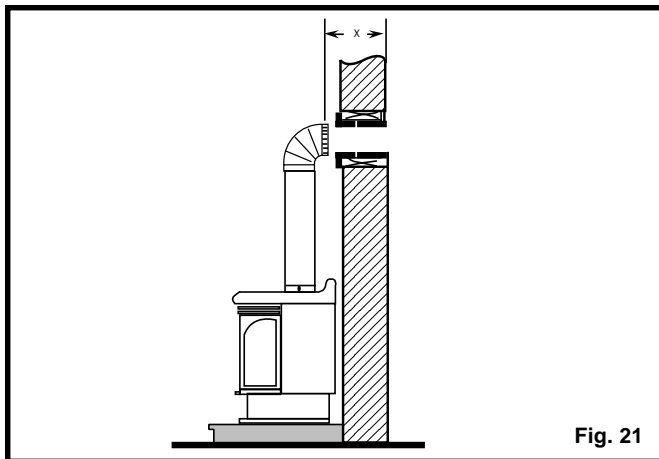
STEP 4

Apply a bead of silicone to the inner and outer flue collars of the fireplace (Fig. 20) and using appropriate length of pipe section(s) attach to fireplace with three (3) screws. Follow with the installation of the inner and outer elbow, again secure joints as described on page 9.



STEP 5

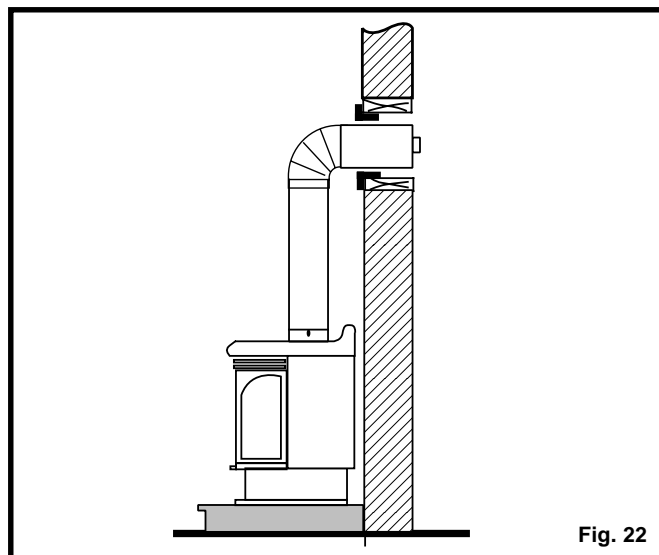
Measure the horizontal length requirement including a 2" (50 mm) overlap, i.e. from the elbow to the outside wall face plus 2" (or the distance required if installing a second 90° elbow (Fig. 21).



Always install horizontal venting on a level plane.

STEP 6

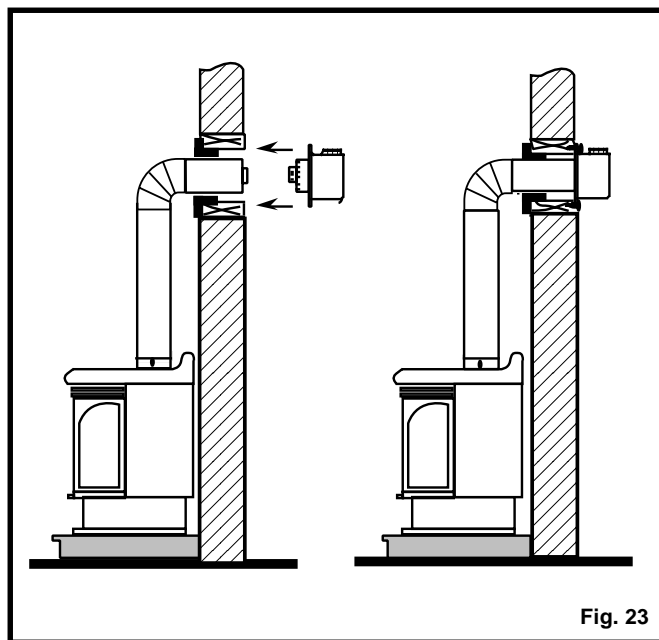
Note: If using the charcoal wall plate, Part #52202-CG, and collar, Part #52203-CG, put them in place before putting the pipe sections through the wall. Use appropriate length of pipe sections - telescopic or fixed - and install. The sections which go through the wall are packaged with the starter kit, and can be cut to suit if necessary (Fig. 22).



Sealing vent pipe and firestop gaps with high temperature sealant will restrict cold air being drawn in around fireplace.

STEP 7

Apply high temperature sealant to 4" (100 mm) and 7" (175 mm) collars or the termination one inch away from crimped end. Guide the vent terminations 4" and 7" collars into their respective vent pipes. Double check that the vent pipes overlap the collars by 2" (50mm). Secure the termination to the wall with screws provided and caulk around the wall plate to weatherproof.



Support horizontal pipes every 3' (91 cm) with metal pipe straps.



Check fireplace to make sure it is levelled and properly positioned.

BELOW GRADE INSTALLATIONS

When it is not possible to meet the required vent terminal clearances of 12 inches (305mm) above grade level a snorkel vent kit is recommended. It allows installation depth of down to 7" (178mm) below grade level. The 7" is measured from the center of the horizontal vent pipe as it penetrates through the wall.

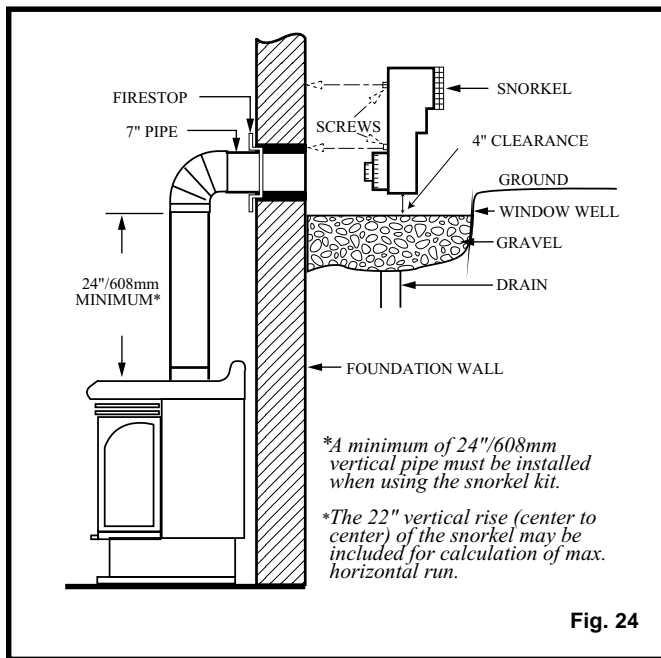


If venting system is installed below ground, we recommend a window well with adequate and proper drainage.

Ensure sidewall venting clearances are observed.

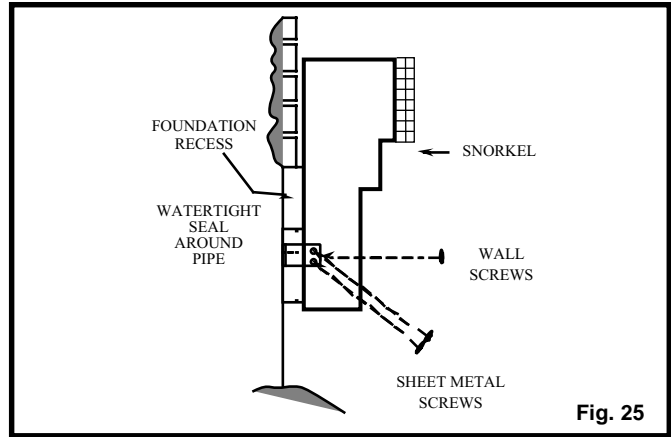
If installing a snorkel a minimum 24" vertical rise is necessary. The maximum horizontal run with the 24" vertical pipe is 36" (915 mm). This measurement is taken from the collar of the fireplace to the face of the exterior wall. See the Vent Chart on page 11 for extended horizontal run if the vertical rise exceeds 24".

1. Establish vent hole through the wall (Fig. 17).
2. Remove soil to a depth of approximately 16" (406mm) below base of snorkel. Install drain pipe. Install window well (not supplied). Refill hole with 12" (305mm) of coarse gravel leaving a clearance of approximately 4" (100mm) below snorkel (Fig. 24).
3. Install vent system.
4. Ensure a watertight seal is made around the vent pipe coming through the wall.
5. Apply high temperature sealant caulking (supplied) around the 4" and 7" snorkel collars.
6. Slide the snorkel into the vent pipes and secure to the wall.
7. Level the soil to maintain a 4" (100mm) clearance below snorkel (Fig. 24).

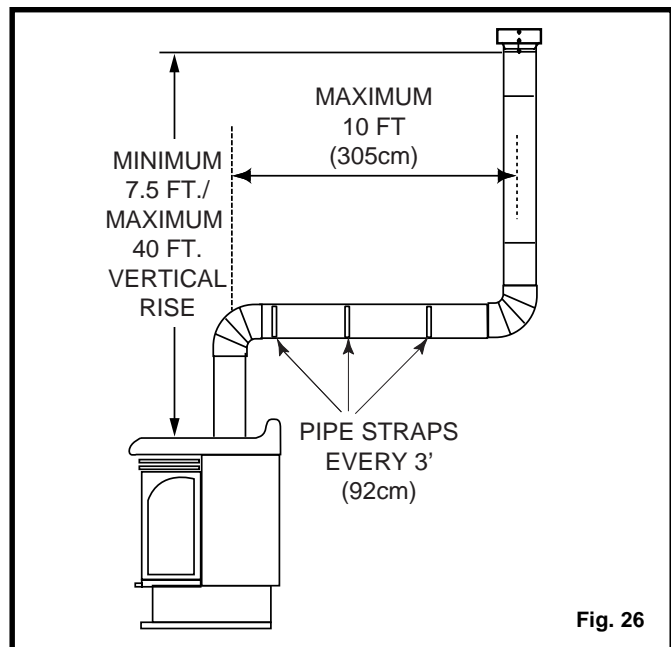


Do not back fill around snorkel. A clearance of at least 4" must be maintained between snorkel and the soil.

If the foundation is recessed, use recess brackets (not supplied) for securing lower portion of the snorkel. Fasten brackets to wall first, then secure to snorkel with self drilling #8 x 1/2 sheet metal screws. It will be necessary to extend vent pipes out as far as protruding wall face (Fig. 25).



VERTICAL THROUGH-THE-ROOF APPLICATIONS



This Gas Fireplace has been approved for,

- Vertical installations up to 40' (12m) in height. Up to a 10' horizontal vent run can be installed within the vent system using a maximum of two 90° elbows (Fig. 26).

- Up to two 45° elbows may be used within the horizontal run. For each 45° elbow used on the horizontal level the maximum horizontal length must be reduced by 18".

Example: Maximum horizontal length

0	x	45° elbows	=	10'
1	x	45° elbows	=	8.5'
2	x	45° elbows	=	7'

- A minimum of an 8' vertical rise.
- Two sets of 45° elbows offsets within these vertical

installations. From 0 to a maximum of 8' of vent pipe can be used between elbows (Fig. 25).

- 7DVCS must be used to support offsets (Fig. 26). This application will require that you first determine the roof pitch and use the appropriate starter kit. (See Venting Components List)

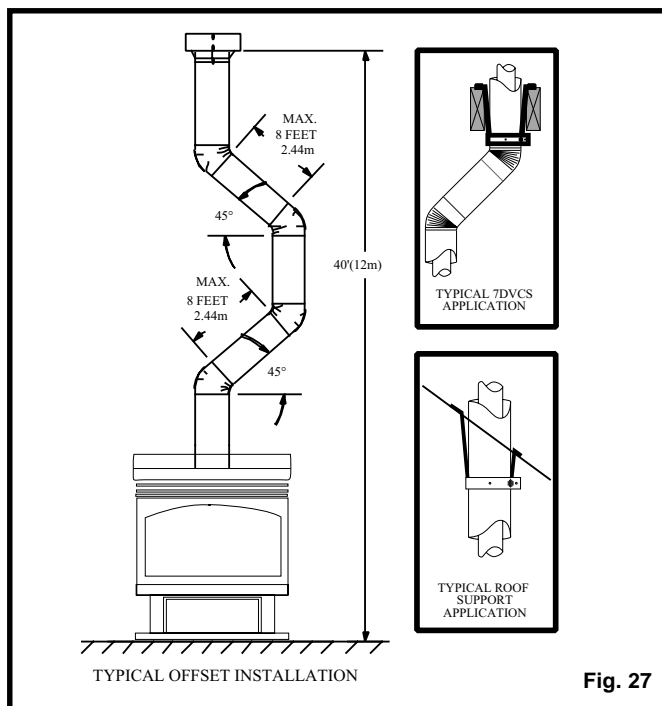


Fig. 27

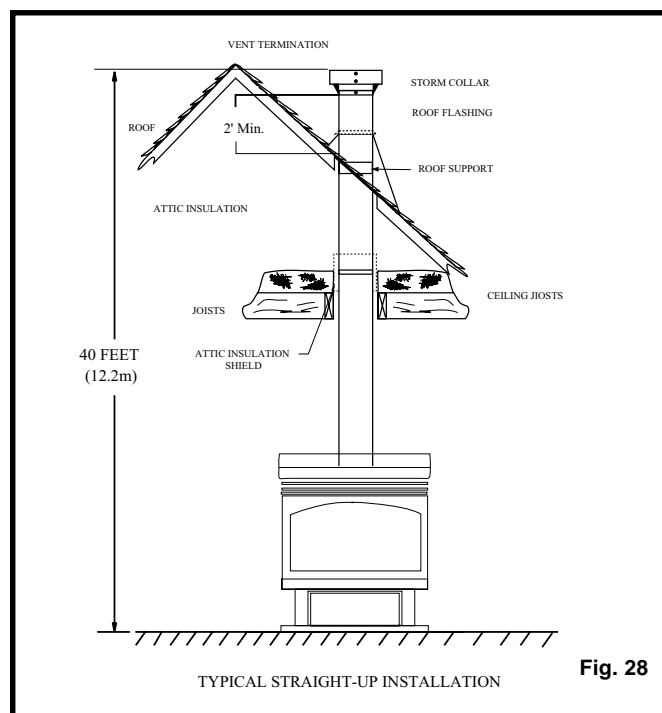


Fig. 28

The minimum height of the vent above the highest point of penetration through the roof is 2 feet (Fig. 28).

TO INSTALL VERTICAL VENTING

1. Locate your fireplace.
2. Plumb to center of the (4") flue collar from ceiling above and mark position.
3. Cut opening equal to 9-3/8" x 9-3/8" (240 mm x 240 mm).
4. Proceed to plumb for additional openings through the roof. In all cases, the opening must provide a minimum of 1 inch clearance to the vent pipe, i.e., the hole must be at least 9-3/8" x 9-3/8" (240 mm x 240 mm).
5. Place fireplace into position.
6. Place firestop(s) #7DVFS or Attic Insulation Shield #7DVAIS into position and secure (Fig. 29).
7. Install roof support (Fig. 27) and roof flashing, making sure upper flange of flashing is below the shingles (Fig. 30).
8. Install appropriate pipe sections until above the flashing (Fig. 30).
9. Install storm collar and seal around the pipe.
10. Add additional vent lengths for proper height (Fig. 28).
11. Apply high temperature sealant to 4" and 7" collars of vertical vent termination and install.

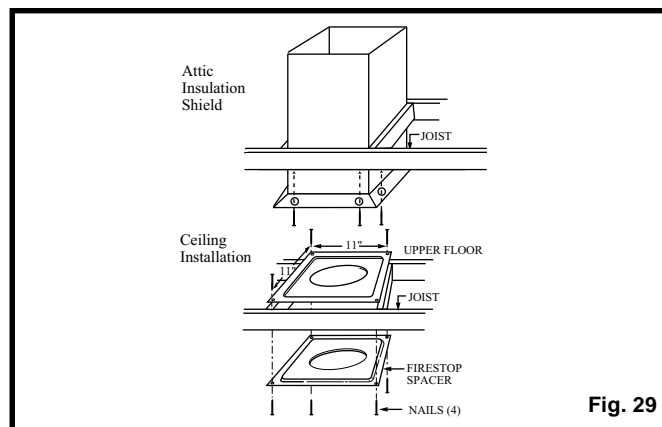


Fig. 29



Fig. 29 If there is a room above ceiling level, firestop spacer must be installed on both the bottom and the top side of the ceiling joists. If an attic is above ceiling level a 7DVAIS (Attic Insulation Shield) must be installed. The enlarged ends of the vent section always face downward (Fig. 30).

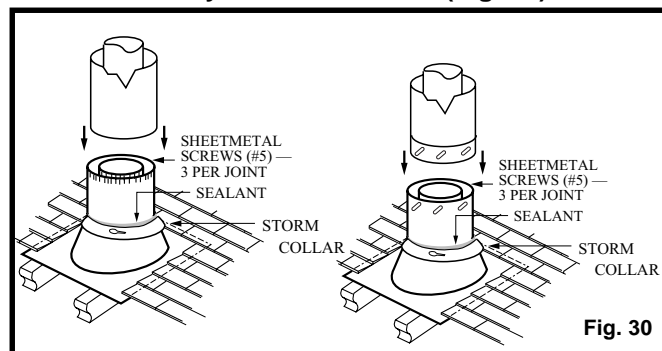
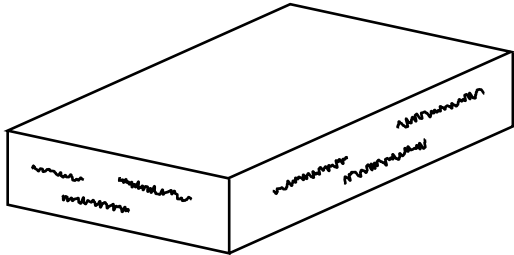
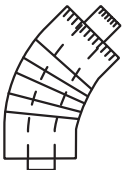
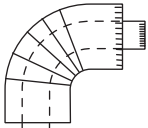
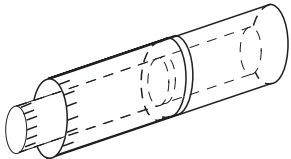
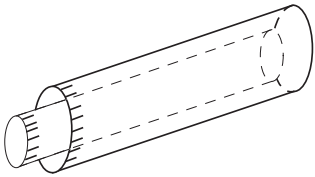
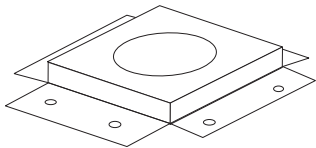
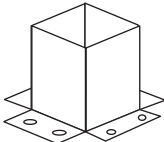
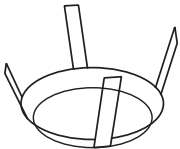
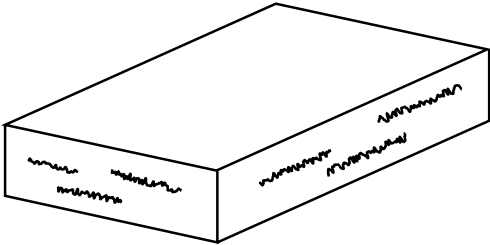

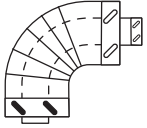
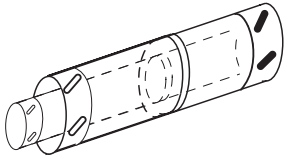
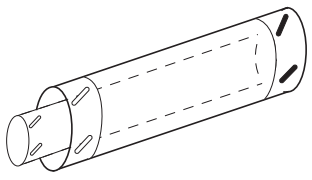
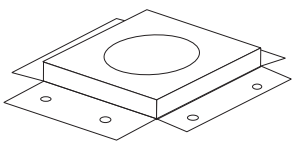
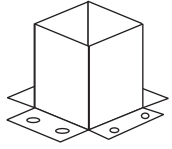
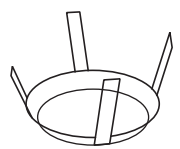


Fig. 30

CRIMPED END VENTING COMPONENTS

	<p>Starter Kit-Model 7FSDVSK-Sidewall Venting Starter Kit-Model 7TDVSKV-Vertical Venting for 7DVSKV-A order 1/12 to 6/12 roof pitch for 7DVSKV-B order 7/12 to 12/12 roof pitch for 7DVSKV-F order flat roof Starter Kit-Model 7FSDVSKS-Snorkel Kit for Below Grade Installation</p>															
	<p>45° elbow kit 7FSDVT45G for Vertical Installation Offsets</p>															
	<p>90° Transition elbow kit 7DVRT90 for Vertical Sidewall Applications or through-the-roof.</p>															
	<p>Telescopic vent sections</p> <table style="width: 100%; border: none;"> <tr> <td style="padding-right: 20px;">7DVP610</td> <td>-6" to 10" adjustable length</td> </tr> <tr> <td>7DVP1018</td> <td>-10" to 18" adjustable length</td> </tr> <tr> <td>7DVP1834</td> <td>-18" to 34" adjustable length</td> </tr> <tr> <td>7DVP3466</td> <td>-34" to 66" adjustable length</td> </tr> </table>	7DVP610	-6" to 10" adjustable length	7DVP1018	-10" to 18" adjustable length	7DVP1834	-18" to 34" adjustable length	7DVP3466	-34" to 66" adjustable length							
7DVP610	-6" to 10" adjustable length															
7DVP1018	-10" to 18" adjustable length															
7DVP1834	-18" to 34" adjustable length															
7DVP3466	-34" to 66" adjustable length															
	<p>Pipe sections for vertical or horizontal venting</p> <table style="width: 100%; border: none;"> <tr> <td style="padding-right: 20px;">Model 7DVP8"</td> <td>-</td> <td>4 per box</td> </tr> <tr> <td>Model 7DVP12"</td> <td>-</td> <td>4 per box</td> </tr> <tr> <td>Model 7FSDVP24G</td> <td></td> <td></td> </tr> <tr> <td>Model 7DVP36"</td> <td></td> <td></td> </tr> <tr> <td>Model 7FSDVP48G</td> <td></td> <td></td> </tr> </table>	Model 7DVP8"	-	4 per box	Model 7DVP12"	-	4 per box	Model 7FSDVP24G			Model 7DVP36"			Model 7FSDVP48G		
Model 7DVP8"	-	4 per box														
Model 7DVP12"	-	4 per box														
Model 7FSDVP24G																
Model 7DVP36"																
Model 7FSDVP48G																
	<p>Firestop Spacer Model 7DVFS</p>															
	<p>Attic Insulation Shield Model 7DVAIS</p>															
	<p>Vertical/Horizontal Combination Offset Support Model 7DVCS</p>															

TWIST LOCK VENTING COMPONENTS

	<p>Starter Kit - Model 7TFSMSK Starter Kit-Model 7TFSDVSK-Sidewall Venting Starter Kit-Model 7TDVSKV - Vertical Venting for 7TDVSKV-A order 1/12 to 6/12 roof pitch for 7TDVSKV-B order 7/12 to 12/12 roof pitch for 7TDVSK-F order flat roof Starter Kit-Model 7TFSDVSKS-Snorkel Kit for Below Grade Installation</p>
	<p>45° elbow kit 7TFSDV45 for Vertical Installation Offsets</p>
	<p>90° Transition elbow kit 7TFSDV90 for Vertical Sidewall Applications or through-the-roof.</p>
	<p>Telescopic vent sections 7TDVP1218- 12" to 18" adjustable length 7TDVP3564- 35" to 64" adjustable length</p>
	<p>Pipe sections for vertical or horizontal venting Model 7TDVP8" - 4 per box Model 7TDVP12" - 4 per box Model 7TFSDVP24" Model 7TDVP36" Model 7TFSDVP48"</p>
	<p>Firestop Spacer Model 7DVFS</p>
	<p>Attic Insulation Shield Model 7DVAIS</p>
	<p>Vertical/Horizontal Combination Offset Support Model 7DVCS</p>

OPERATING INSTRUCTIONS

GENERAL GLASS INFORMATION



Only glass approved by the Vermont Castings, Majestic Products Company may be used for replacement.

- The use of substitute glass will void all product warranties.
- Care must be taken to avoid breakage of the glass.

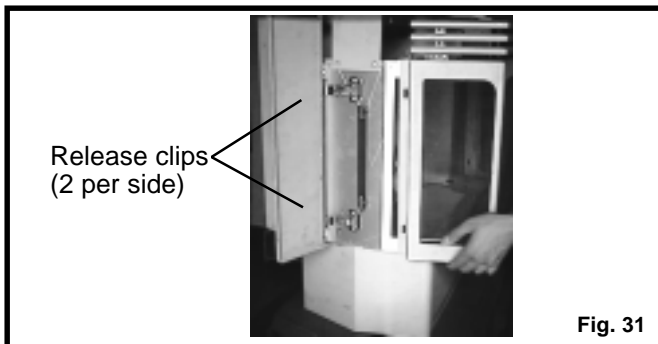
Under no circumstances should this fireplace be operated without the front glass or with a broken glass.

Replacement of the glass (with gasket) as supplied by the manufacturer should be done by a licensed qualified service person.



WINDOW FRAME REMOVAL

1. Shut off gas (See Lighting Instructions).
2. Let the unit cool if it has been operating.
3. Open two side doors
4. Open the clamps on two sides.
5. Pull the frame forward.
6. To reinstall window frame assembly follow the above procedure in reverse.



GLASS CLEANING

It will be necessary to clean the glass periodically. During start-up condensation, which is normal, forms on the inside of the glass. This condensation causes lint, dust and other airborne particles to cling to the glass surface. Also initial paint curing may deposit a slight film on the glass. It is therefore recommended that the glass be cleaned two or three times with a non-ammonia based household cleaner and warm water (We recommend gas fireplace glass cleaner). After the initial cleaning process the glass should be cleaned two or three times during each operating season depending on the environment.



Clean glass after first two weeks of operation.

INSTALLATION OF LOGS & BURNER LAVA ROCK MATERIAL

Model: IRFSDV34

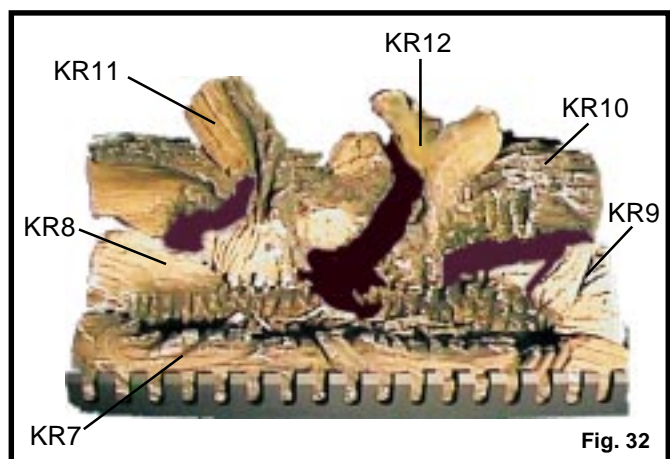
Refer Figure 32.

1. Remove window frame assembly (See "Window Frame Assembly" section).
2. Remove logs from packaging.



As with all plastic - these are not toys and should be kept away from children and infants.

3. Place rear log (KR10) on rear bracket (ensure log is seated properly, leveled and centered to the unit), so it will not move from side to side and it is firmly positioned on the bracket.
4. Slip front ember log (KR7) down behind the front deflector.
5. Place front left log (KR8) on top of burner, left side. Use log's bottom holes to locate it into the left bracket log locator studs.
6. Place front right log (KR9) on top of burner, right side. Use log's bottom holes to locate it into the right bracket log locator studs.
7. Place burner lava rock on top of burner between the ember log and the two front logs.
8. Place top left log (KR11) onto locator notches. Ensure log is secure.
9. Place top right log (KR12) onto locator notches. Ensure log is secure.



INSTALLATION OF LOGS & BURNER LAVA ROCK MATERIAL (Cont.)

Model: IRFSDV24

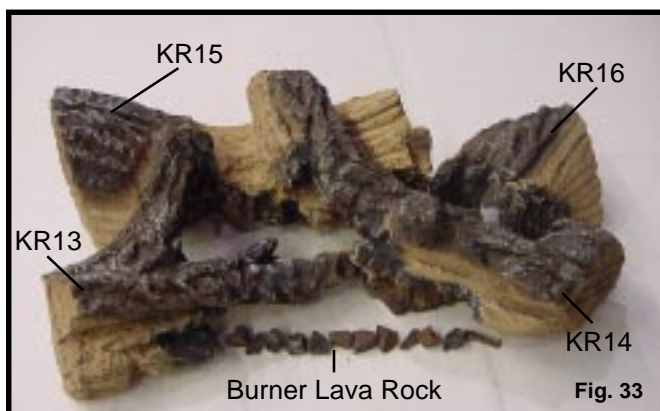
Refer Figure 33.

1. Remove window frame assembly (See Window Frame Assembly section).
2. Remove logs from packaging.



As with all plastic - these are not toys and should be kept away from children and infants.

3. Place rear left log (KR15) with one end onto the left rear bracket while the rest of the log sets on the center of the rear log support.
4. Fit the rear right log (KR16) onto the right side of the rear log support. Ensure the log's bottom holes are located on the two studs of the support.
5. Place front left log (KR13) onto the left cut out of the rear log while the front left end of this log will set against the back wall of the front grate.
6. Place the front right log (KR14) in position by resting the holes under one end of this log located over the knob on the rear left log while the other end of the log sets against the right end of the front grate (See Fig. 33).
7. Place burner lava rock over the front area of the burner.



MAINTENANCE

1. It is important to keep the burner and the burner compartment clean. This must be done periodically, at least once per season (See Cleaning Procedure).
2. Clean the brass trim using a soft clean cloth, slightly dampened with lemon oil and buff with a soft clean cloth. Do NOT use brass polish or household cleaners as these products will damage the brass trim. Lemon oil can be obtained at supermarkets or hardware stores.
3. The FK24 Fan requires periodic cleaning. Check the fan and the area around the fan assembly and wipe or vacuum at least once per month during the operating season.
4. Contact your local representative to arrange an annual service program

CLEANING PROCEDURE

1. Turn off pilot light at gas valve.
2. Remove window frame assembly.
3. Remove logs.



CAUTION: LOGS MAY BE HOT

4. Vacuum burner compartment especially around orifice/primary air openings.
5. Reinstall logs.
6. Check pilot and main burner operation.
7. Reinstall window frame assembly.
8. Recheck pilot and main burner operation.
9. Check visually the flame pattern and compare with Figs. 34, 35, & 36.

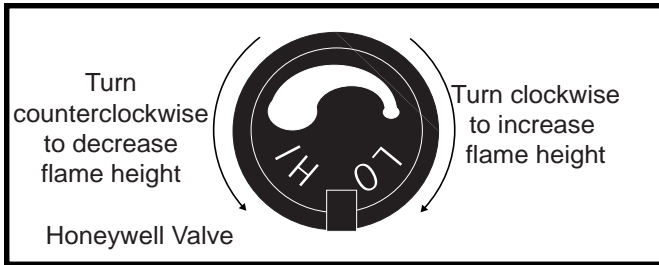
FLAME & TEMPERATURE ADJUSTMENT RFN/RFP

All adjustments on units fitted with the Honeywell Radio Frequency control valve are performed with the remote transmitter. See instructions packaged with the transmitter, or page 23 in this manual for operating details.

FLAME & TEMPERATURE ADJUSTMENT

RN/RP Models

For units equipped with 'HI/LO' valves the flame adjustment is accomplished by rotating the 'HI/LO' knob located near the center of the gas control valve (See Fig. below).



FLAME CHARACTERISTICS

It is important to periodically perform a visual check of the pilot and burner flames. Compare them to the pictorials illustrated below (Fig. 34, 35, & 36). If any of the flames appear abnormal call a service person.

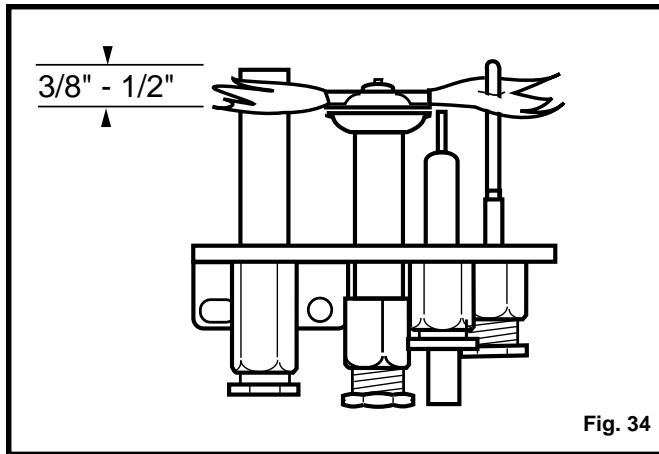
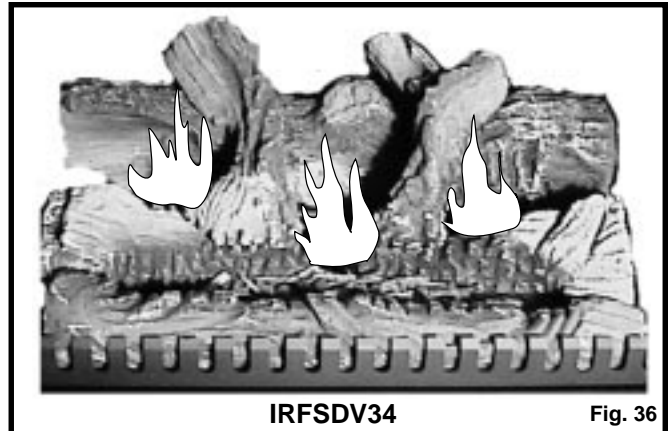


Fig. 34



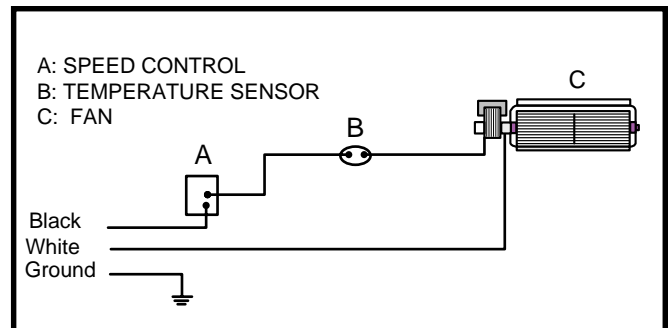
FAN - FK24



This fan assembly comes completely wired to eliminate the need for electricians. This electrical device must be electrically connected and grounded in accordance with local codes. In the absence of local codes, with the current CSA C22.1 CANADIAN ELECTRICAL CODE.

For USA installation: Follow local codes and the NATIONAL ELECTRICAL CODE ANSI/NFPA No. 70-1984.

Should this fan require servicing, the power supply must be disconnected. For rewiring of any replacement components see Fig. below.



REMOTE CONTROLS

These remote controls are available as an option only on fireplaces fitted with RN/RP gas control valves. IRFSDV24 model only.

MRC1	On/Off Button Remote Control
MRC2	Temperature Control Remote
MRC3	Temperature Control w/digital display & 24 hour programmable clock
IMT	Wall Mounted Thermostat

OPTIONAL GOLD TRIM KIT

A decorative gold plated window trim kit Model #VT1G00 **RFSDV24TKG** is available for the IRSFD24 Freestanding Fireplace.

The kit contains:

- 1 Gold-plated Window Trim
- 4 Magnets

INSTALLATION PROCEDURE

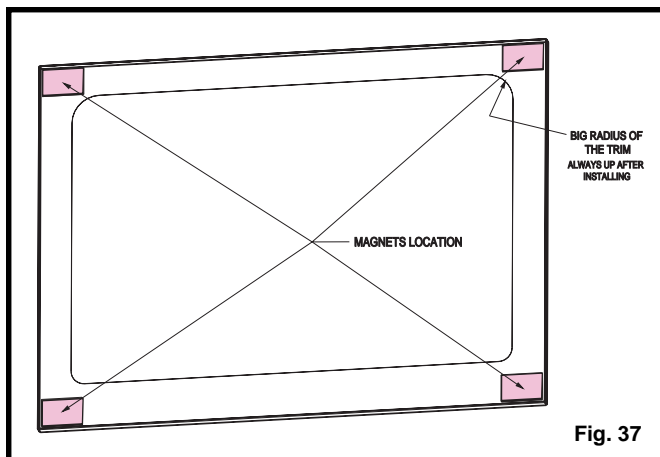
1. Unpack the kit and confirm all parts are present.
2. Remove all the protective plastic wrap from the gold window trim.
3. Attach the magnets to the trim (Fig. 37).
4. Position trim against the fireplace window frame assembly. The trim will be held in place by the magnets.

NOTE: Only the gold cleaner is allowed to be used for this window trim.

GOLD CLEANING: Clean the gold trim with a soft clean cloth slightly dampened with gold cleaner product and buff with a soft dry cloth.

DO NOT use brass polish or household cleaners as these products will damage the trim.

Gold cleaner products can be obtained from any fireplace dealer stores.



OPTIONAL FRAME WINDOW TRIM KITS

Decorative brass window trim kits are available for the IRSFDV34 Freestanding Fireplace.

Model	Style
RFSDV34TKA	- Antique Brass
RFSDV34TKD	- Polished Brass
RFSDV34TKD	- Pewter

INSTALLATION PROCEDURE

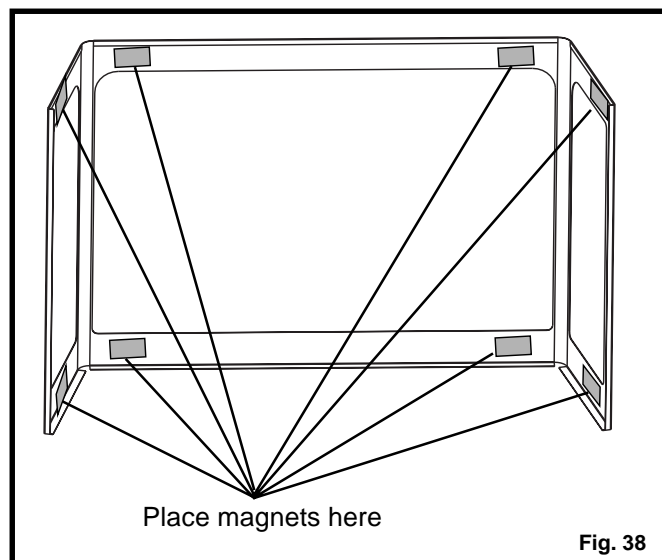
1. Unpack the kit and confirm all parts are present.
2. Remove all the protective plastic wrap from the brass components.
3. Attach the magnets to the trim (Fig. 38). (Antique Brass or Polished Brass only)
4. Position trim against the fireplace window frame assembly. The trim will be held in place by the magnets.
5. Fit the brass rings in place around any visible vent joints.

It is very important to remove all the protective wrap from the brass components before fitting them to the fireplace or venting.



BRASS CLEANING: Clean the brass trim with a soft clean cloth, slightly dampened with lemon oil and buff with a soft dry cloth. Lemon oil may be obtained at supermarkets or hardware stores.

DO NOT use brass polish or household cleaners as these products will damage the trim.



LIGHTING AND OPERATING INSTRUCTIONS FOR YOUR SAFETY READ BEFORE LIGHTING

WARNING: If you do not follow these instructions exactly, a fire or explosion may result causing property damage, personal injury or loss of life.

- A. This fireplace has a pilot which must be lit manually.
When lighting the pilot follow these instructions exactly.
- B. BEFORE LIGHTING smell all around the fireplace area for gas. Be sure to smell next to the floor because some gas is heavier than air and will settle on the floor.

WHAT TO DO IF YOU SMELL GAS

- Do not try to light any fireplace
- Do not touch any electric switch
- Do not use any phone in your building
- Immediately call your gas supplier from a neighbor's phone. Follow the gas supplier's instructions.

• If you cannot reach your gas supplier, call the Fire Department

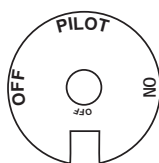
- C. Use only your hand to push in or turn the gas control knob. Never use tools. If the knob will not push in or turn by hand, do not try to repair it, call a qualified service technician. Applying force or any attempted repair may result in a fire or explosion.
- D. Do not use this fireplace if any part has been under water. Immediately call a qualified service technician to inspect the fireplace and to replace any part of the control system and any gas control which has been under water.

LIGHTING INSTRUCTIONS

1. STOP! Read the safety information above on this page.
2. Turn off all electrical power to the fireplace appliance.
3. For MN/MP/TN/TP appliances only, go on to Step 4. for RN/RP turn the On/Off switch to "OFF" position or set thermostat to lowest level.
4. Open control access panel.
5. Push in gas control knob slightly and turn clockwise to "OFF". Do not force.



EURO SIT



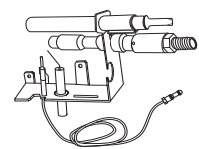
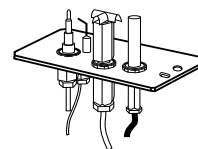
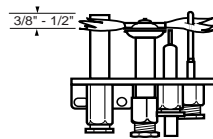
SIT NOVA



HONEYWELL

6. Wait (5) minutes to clear out any gas. Then smell for gas, including near the floor. If you smell gas, STOP! Follow "B" in the safety information above this page. If you don't smell gas, go to the next step.
7. Remove window frame assembly glass door before lighting pilot. (See Glass Frame Removal in manual).
8. Visibly locate pilot by the main burner.
9. Turn knob on gas control counter clockwise to "PILOT".

10. Push the control knob all the way in and hold. Immediately light the pilot by repeatedly depressing the piezo spark ignitor until a flame appears. Continue to hold the control knob in for about one (1) minute after the pilot is lit. Release knob and it will pop back up. Pilot should remain lit. If it goes out, repeat steps 5 through 8.



- If knob does not pop up when released, stop and immediately call your service technician or gas supplier.
 - If after several tries, the pilot will not stay lit, turn the gas control knob to "OFF" and call your service technician or gas supplier.
11. Replace window frame assembly.
 12. Turn gas control knob to "ON" position.
 13. For RN/RP appliances turn the ON/OFF switch to "ON" position or set thermostat to desired setting.
 14. Turn on all electrical power to the fireplace.

TO TURN OFF GAS FIREPLACE

1. Turn the On/Off switch to "OFF" or set the thermostat to lowest setting.
2. Turn off all electric power to the fireplace if service is to be performed.
3. Open control access panel.
4. Push in gas control knob slightly and turn clockwise to "OFF". Do not force.
5. Close control access panel.

OPERATING INSTRUCTIONS FOR RFN/RFP COMFORT CONTROL VALVE

The Comfort Control Valve allows remote control of temperature, fan and flame appearance.

NOTE: The antenna should hang in free air away from grounded metal.

OPERATION

1. If the manual switch is in remote position, switch it to LOCAL. (Fig. 39)
2. Turn the pilotstat knob counterclockwise from OFF to the PILOT position, push the knob down, and hold in position. The pilot valve opens and allows gas to flow to the pilot burner.
3. Push plunger on the piezo until the pilot burner is lit. When the pilot burner is lit, the LED on the control will come on after approximately 40 seconds and will provide 1 short blink continuously in the normal mode. When the light turns off which will be approximately 10 seconds after it has been continuously red, the receiver/valve is fully powered.
4. Release the knob. The shaft will move upward. The pilot burner should now stay burning. If the pilot burner goes out, repeat step 2.
5. Turn the knob counterclockwise to the ON position. If the manual switch is in the LOCAL position, the main burner will turn on immediately.
6. ON the initial use of a transmitter, a recognition operation is required between the receiver/valve and transmitter. Change the switch from LOCAL to REMOTE. Press the fan or flame button on the transmitter within 30 seconds. The LED will blink indicating the transmitter will now work with the receiver/valve. If the switch continues in the REMOTE position, the transmitter will now control the main valve, flame modulation level and fan control.

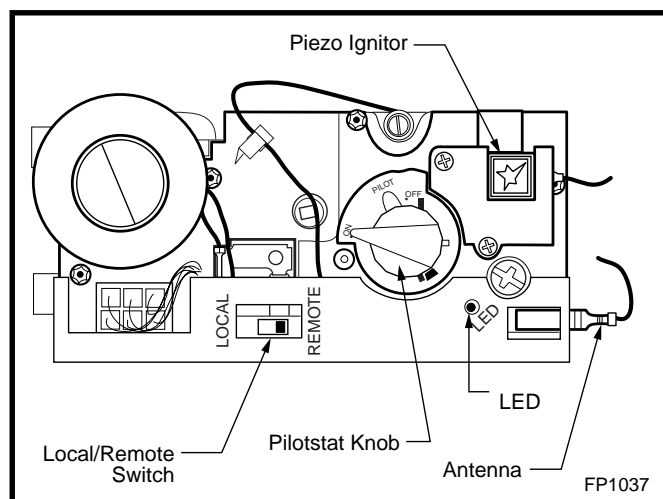


Fig. 39 Comfort control valve.

7. If the manual switch is in the LOCAL position, the valve will be at the highest fixed pressure setting and the fan will be at the highest fixed speed. The transmitter will control the fan only.

SHUT OFF PROCEDURE

If the manual switch is in the REMOTE position, the transmitter can shut off the main burner and fan. However, the control is still on and a command from the transmitter can turn on the main burner or fan.

To shut off the system, turn the pilotstat knob clockwise to the OFF position. This action closes the main gas and safety valves. The transmitter cannot turn on the main burner or fan.

TRANSMITTER OPERATION

Off Mode

In the OFF mode, the fireplace flame and fan are off, the display will show OFF and displays the room temperature. If the receiver is in REMOTE mode, the fireplace will shut off.

On (Manual) Mode

In the ON mode, the room temperature, flame and fan levels will be shown. MANUAL will appear next to both the flame and fan icons.

When the control is in the ON mode, the flame and fan levels, and delay timer are changed with the up and down buttons. To change the flame level, press the flame button followed by an arrow key. To change the fan level, press the fan key followed by an arrow key. Pushing the arrow key once will change the level by one unit.

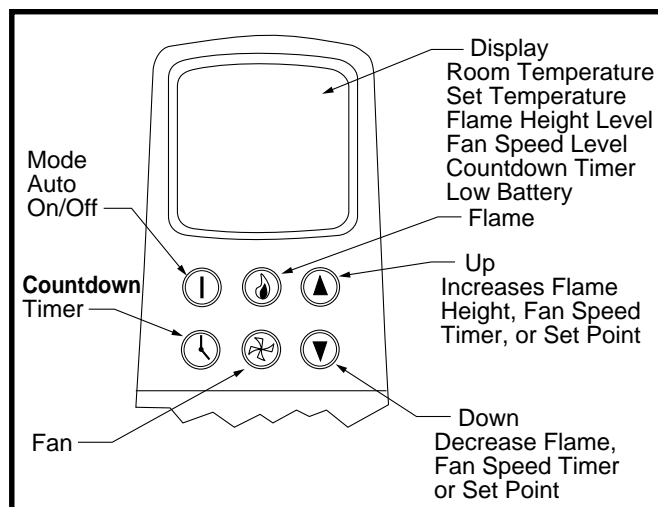


Fig. 40 Transmitter diagram.

Delay Timer Mode

The shut off delay timer has a maximum of 2 hours and a minimum of zero minutes. To change the timer level, press the time key followed by an arrow key. Pushing the key once will change the timer by 10 minutes.

Auto Mode

In the AUTO mode, the room temperature, set temperature, flame and fan levels will be shown. AUTO will appear next to both the flame and fan icons.

When the control is in the AUTO mode, the main burner will turn on/off or modulate based on the heat needed to maintain the set temperature. The flame level will change automatically to optimize the heat output needed to maintain the set temperature. To change the set temperature, press the up or down key. Pushing a key once will change the temperature by one degree.

In the AUTO mode, the fan speed will increase with increasing flame height or decrease with decreasing flame height. "AUTO" is displayed next to the flame and fan icons.

Fan Override During Auto Mode

If a lower or higher fan speed is desired when operating in the AUTO mode, the fan speed can be overridden by pushing the fan button followed by the up or down key. Pushing a key once will change the fan level by one unit. In this mode "AUTO" is displayed next to the flame icon and "MANUAL" is displayed next to the fan icon.

Change Between F/C Temperature Units

Push the up and down arrow keys simultaneously for at least 3 seconds to toggle between Fahrenheit and Celsius units.

Disable Thermostat Function

To disable the thermostat function in the AUTO mode, push the time and down keys simultaneously for at least 3 seconds.

To Change Batteries

1. Remove cover on the backside of the transmitter. Install 3 AAA batteries as shown and reattach cover.
2. Once steps 1-3 in OPERATION are completed, receiver/valve and transmitter are now ready. Press any button on transmitter for recognition process to occur between the receiver/valve and transmitter.
3. Use functions as described in TRANSMITTER section.

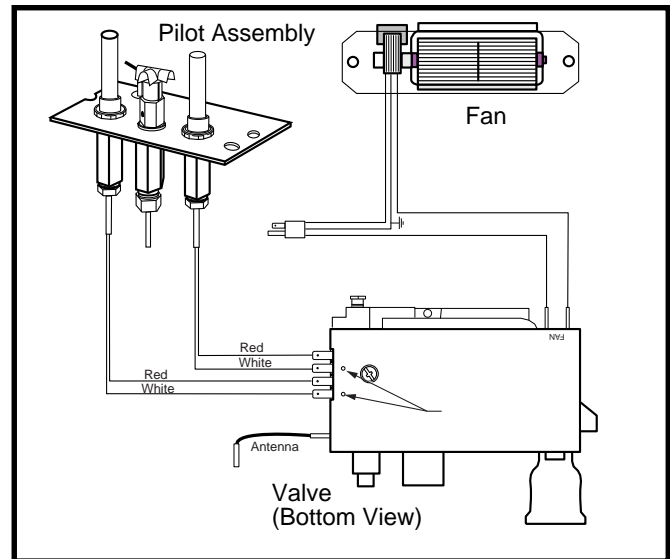


Fig. 41 Comfort Valve wiring diagram.

Troubleshooting

1. Locate LED light on valve.
2. LED will blink after every valid command received by the transmitter; this is not an error.
3. Failure codes may occur anytime after pilot burner is lit.
4. Sequence is failure code followed by light not blinking for 30 seconds.
5. In the event of multiple failure codes, next failure code follows previous failure code by approximately 3 seconds.

If an Error Code 3 is observed while performing the testing, complete the following:

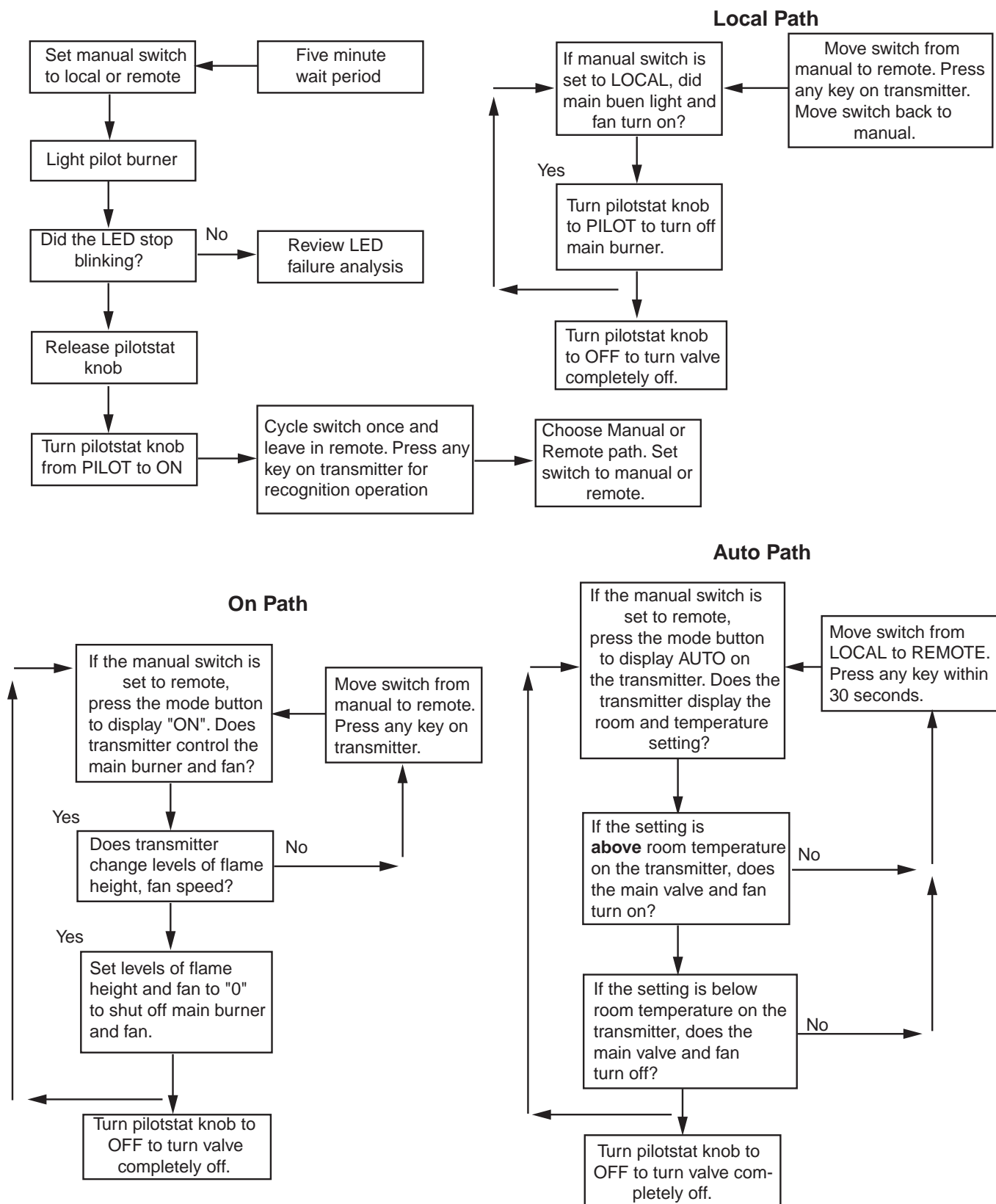
1. Make sure the spade connectors are pushed all the way on. If the Error Code 3 is still showing, then go to the next step.
2. Switch the front two thermopile leads with the back two. Be sure the white lead is connected to the spade with the white dot next to it. If the Error Code 3 is still showing, replace the thermopiles.

If an Error Code 8 is observed while performing the testing, complete the following:

1. Confirm the valve is not in REMOTE mode.
 - If the valve is producing Error Code 8 and in REMOTE mode, the valve is defective and should be replaced.
 - If the valve is in LOCAL mode and producing Error Code 8, then go to the next step.
2. Slide the Remote/Local switch to REMOTE and teach the valve a transmitter (see item 6, page 23). The Error Code will clear itself after approximately 1.5 minutes and return to normal operation.

TROUBLE SHOOTING THE GAS CONTROL SYSTEM

Comfort Valve system control sequence of operation with transmitter



REPLACEMENT PARTS LIST

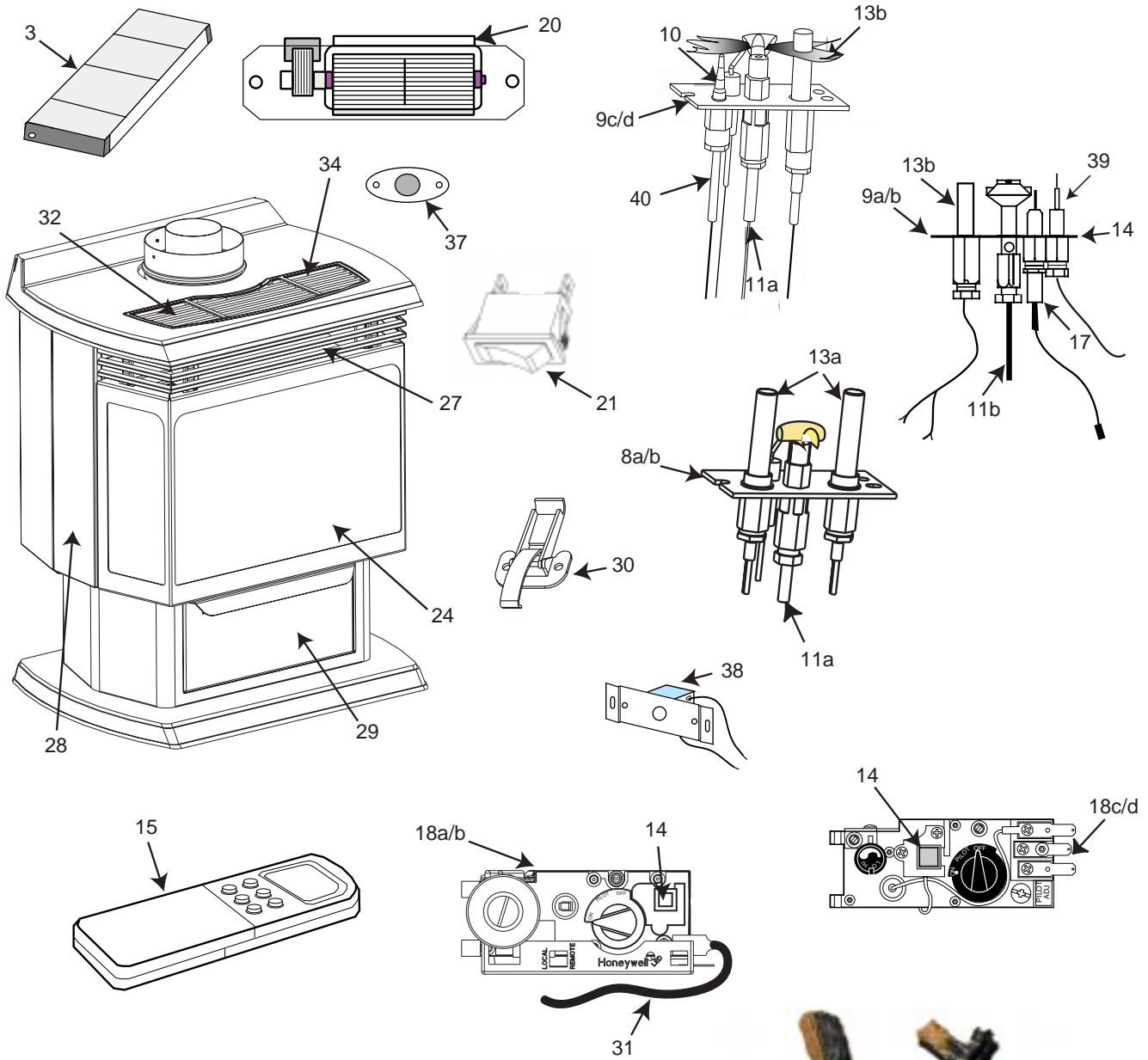
Code #	Part Description	IRFSDV24	IRFSDV34
1	Log Set Complete	10003538	100001763
1a	Log ember bed	---	KR7
1b	Log - Front left	KR13	KR8
1c	Log - Front right	KR14	KR9
1d	Log - Rear	—	KR10
1e	Log - Top left	—	KR11
1f	Log - Top right	—	KR12
1g	Log - Rear left	KR15	---
1h	Log - Rear right	KR16	---
2*	Lava Rock	57897	57897
3	Burner Housing Assembly (with tiles)	10003559	10001272
4*	Ceramic Tile (singular)	57803	57803
5a*	Orifice, Main Burner - Nat.	Refer to Rating Plate	
5b*	Orifice, Main Burner - Prop.	Refer to Rating Plate	
5c*	Orifice, Front Burner - Nat	Refer to Rating Plate	
5d*	Orifice, Front Burner - Prop	Refer to Rating Plate	
6a*	Orifice, Top Convertible Pilot - Nat	10002268	10002268
6b*	Orifice, Top Convertible Pilot - Prop	10002269	10002269
7a*	Orifice, Radio Frequency Pilot - Nat	---	20000908
7b*	Orifice, Radio Frequency Pilot - Prop	---	20000907
8a	Pilot Assembly, Radio Frequency - Nat	---	20002266
8b	Pilot Assembly, Radio Frequency - Prop	---	20002268
9a	Pilot, Assembly, 3 way DV Top Con. - Nat	10002264	10002264
9b	Pilot, Assembly, 3 way DV Top Con. - Prop	10002265	10002265
9c	Pilot, Assembly, PSE - Nat.	---	10001741 (RMH)
9d	Pilot, Assembly, PSE - Prop.	---	10001742 (RMH)
10	Pilot with Electrode & Cable, PSE	---	10002501
11a	Pilot tube with fittings, PSE	---	10003279
11b	Pilot tube with fittings, SIT	10001296	---
12*	Manifold Tube with fittings	10002492	57318
13a	Thermopile, Radio Frequency	---	20002400
13b	Thermopile, RN & RP	53373	53373
14	Igniter (Piezo), Honeywell valve	20000062	20000062
15	Transmitter	---	20002047
16*	Manifold Assembly	10003207	10000824
17	Electrode igniter with cable 24"	10001297	10001297(RMH)
18a	Valve, Honeywell Radio Frequency - Nat	---	20003719
18b	Valve, Honeywell Radio Frequency - Prop	---	20003720
18c	Valve, Honeywell, RN	10001782	10001782 (RMH)
18d	Valve, Honeywell, RP	10001759	10001759 (RMH)
19*	Electric Cord Set. Radio Frequency Valve	---	20002541

REPLACEMENT PARTS LIST

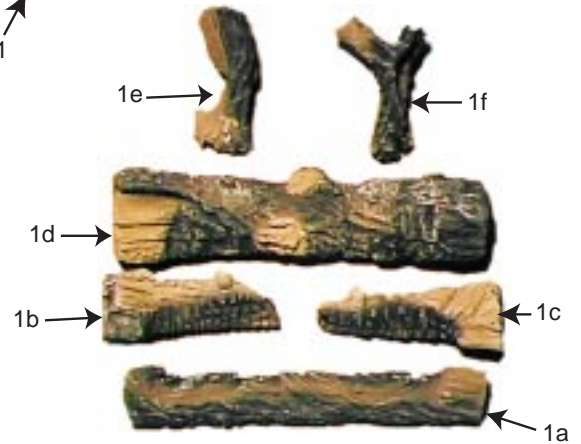
Code#	Part Description	IRFSDV24	IRFSDV34
20	Fan Assembly with bracket	54103	54103
21	Remote ON/OFF Switch	53606	53606
22*	Wiring Harness - Remote Switch	57265	57265
23*	Remote ON/OFF Switch Kit (includes bracket)	53859	53859
24	Window Frame Assembly (complete with glass)	10003973	10003966
25*	Window Glass with Gasket Assembly Kit	10003974	10003965
26*	Window Glass Gasket Kit	10001983	10001983
27	Front Louvre Assembly	10003537	10001370
28	Cabinet Side Door	10003541	10001792
29	Control Door Assembly	10003539	10001790
30	Clamp	10000949	10000949
31	Antennae	---	20003561
32	Top Grill Panel	10001791	10001791
33*	Magnet Ceramic Side Doors	10001705	10001705
34	Screen Cabinet Top	10001749	10001749
35*	Plate Relief with Gasket Assembly	10002862	20002862
36*	Front Grate Assembly - Charcoal Gray	10003535	---
37	Sensor Fan	51704	---
38	Speed Control	51738	---
39	Thermocouple SIT	53373	---

Note: Items marked '*' are not shown in the following parts pictorial.

REPLACEMENT PARTS



IRFSDV24 Log Set



IRFSDV34 Log Set

Free Manuals Download Website

<http://myh66.com>

<http://usermanuals.us>

<http://www.somanuals.com>

<http://www.4manuals.cc>

<http://www.manual-lib.com>

<http://www.404manual.com>

<http://www.luxmanual.com>

<http://aubethermostatmanual.com>

Golf course search by state

<http://golfingnear.com>

Email search by domain

<http://emailbydomain.com>

Auto manuals search

<http://auto.somanuals.com>

TV manuals search

<http://tv.somanuals.com>