

"If you know subwoofers, you know about Velodyne."

-Corey Greenberg
Home Theater Technology/February 1995
Face Off: Comparison of five subwoofers

"... the clean, full, and extended quality of the F-1800R's bass caused me to gasp with the recognition that I was finally listening to a real subwoofer."

"... our entire listening room swelled with solid, satisfying bass, as if both musician and instrument were in the room."

"...scenes such as the pre-battle sequence in Braveheart ... may very well have threatened the room's structural integrity had we not backed off the volume a bit..."

-Al Griffin
Home Theater/December 1996
Gear Guide

Velodyne Acoustics, Inc.
1070 Commercial St. Suite #101
San Jose, CA 95112

408.436.7270 voice
408.436.7276 fax
Web Site: <http://www.velodyne.com>
E-mail: velodyne@earthlink.net

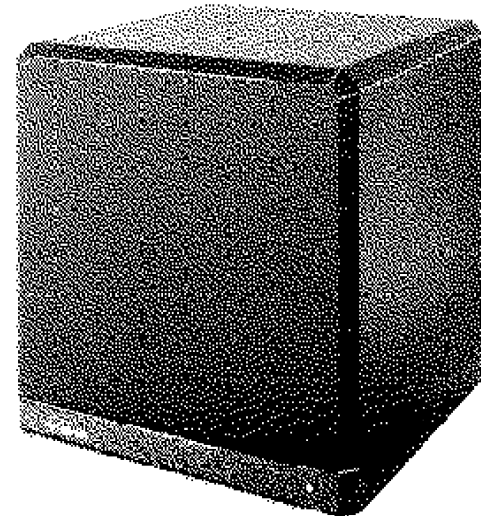


Printed on recycled paper.

8-97, #63-FSX12

FSX-12

Owner's Manual



Velodyne[®]

SERVO-CONTROLLED
Audio/Video Subwoofer System



CAUTION
RISK OF ELECTRIC SHOCK
DO NOT OPEN



Caution

To reduce the risk of electric shock, do not remove cover (or back). No user-serviceable parts inside. Refer servicing to qualified service personnel.

The lighting flash with arrowhead symbol is intended to alert the user to the presence of uninsulated "dangerous voltage" within the product's enclosure that may be of sufficient magnitude to constitute a risk of electric shock to persons.

The exclamation point symbol is intended to alert the user to the presence of important operating and maintenance (servicing) instructions in the literature accompanying the subwoofer.

1. Read Instructions -- All safety and operating instructions should be read before the subwoofer is operated.
2. Retain Instructions -- The safety and operating instructions should be retained for future reference.
3. Heed Warnings -- All warnings on the subwoofer and in the operating instructions should be adhered to.
4. Follow Instructions -- All operating and use instructions should be followed.
5. Water and Moisture -- The subwoofer should not be used near water -- for example, near a bathtub, washbowl, kitchen sink, laundry tub, in a wet basement, near a swimming pool or the like.
6. Carts and Stands -- The subwoofer should be used only with a cart or stand recommended by the manufacturer.
7. Wall or Ceiling Mounting -- The subwoofer should be mounted to a wall or ceiling only as recommended by the manufacturer.
8. Ventilation -- The subwoofer should be situated so that its location or position does not interfere with its proper ventilation. For example, the subwoofer should not be situated on a bed, sofa, rug, or similar surface that may block the ventilation openings; or placed in a built-in installation such as a bookcase or cabinet that may impede the flow of air through the ventilation openings.
9. Heat -- The subwoofer should be situated away from heat sources such as radiators, heat registers, stoves, or other subwoofers that produce heat.
10. Power Sources -- The subwoofer should be connected to a power supply only of the type described in the operating instructions or as marked on the subwoofer.
11. Power-Cord Protection -- Power-supply cords should be routed so that they are not likely to be walked on or pinched by items placed upon or against them, paying particular attention to cords at plugs, convenience receptacles, and the point at which they exit from the subwoofer.
12. "Caution: To prevent electrical shock, match wide blade of plug to wide slot, fully inserted." "Attention: Pour eviter les chocs electriques, introduire lame la plus large de la fiche dans la borne correspondante de la prise et pousser jusqu' au fond."
13. Cleaning -- The subwoofer should be cleaned only as recommended by the manufacturer.
14. Nonuse Periods -- The power cord of the subwoofer should be unplugged from the outlet when left unused for a long period of time.
15. Object and Liquid Entry -- Care should be taken so that objects do not fall and liquids are not spilled onto the enclosure.
16. Damage Requiring Service -- The subwoofer should be serviced by qualified service personnel when:
 - a. The power-supply cord or plug has been damaged.
 - b. Objects have fallen or liquid has been spilled into the subwoofer.
 - c. The subwoofer has been exposed to rain.
 - d. The subwoofer does not appear to operate normally or exhibits a marked change in performance.
 - e. The subwoofer has been dropped or damaged.
17. Servicing -- The user should not attempt to service the subwoofer beyond what is described in the operating instructions.

All other servicing should be referred to qualified service personnel.

SPECIFICATIONS

FSX-12

Cabinet (h,w,d)	18" x 16.5" x 15"
Frequency Response	20Hz - 120Hz +/- 3 dB
Harmonic Distortion	<1% (typical)
High Pass Crossover	Passive 85Hz (6 dB/octave slope)
Low Pass Crossover	40Hz - 120Hz (12 dB/octave initial, 48 dB/octave ultimate)
Phase	0° / 180°
Amplifier (class AB)	120 W RMS 265W peak
Woofers	12" forward firing
Magnet	75 oz. (4.6 lbs.)
Magnet Structure	170oz. (10.5 lbs.)
Voice Coil	2.5" diameter
Inputs	Line-level & speaker-level
Outputs	Line-level & speaker-level
Warranty	Two years (parts & labor)
Weight (approx.)	60 lbs. (27Kg)

Specifications are subject to change without notice.

FOR YOUR RECORDS. . .

DATE PURCHASED _____

DEALER _____

SERIAL # _____

**NOTE: Please complete and return your warranty card within ten (10) days.*



Troubleshooting & Service

If you should experience a problem with the operation of your subwoofer, please check all of the following before seeking service. Following is a simple troubleshooting guide to assist you.

1. Verify unit is plugged in and power outlet used is active.
2. Is power switch on?
3. Is auto turn on/off set properly?
4. Is unit receiving an input signal from your source?
5. Have all controls on subwoofer (volume, crossover, phase, etc.) been properly set?
6. Is the mute on the remote control engaged?
7. Are both volume controls properly set?
8. If unit has been running at high levels for an extended period of time, one of the protection circuits may be engaged.
 - Has the built-in amplifier overheated?
 - Is your power line voltage sagging under heavy use?

If the protection circuitry is active, the unit may cycle on and off until operating parameters return to normal. Protection circuit operation is usually indicated by a blinking power led. Under more serious conditions, the unit may shut off completely. Normal operation will return upon cooling, but you may be required to turn the power off and then on again to reset the unit.

The following conditions require service by a qualified technician:

1. The power cord has become damaged.
2. The unit does not appear to operate normally or exhibits a marked change in performance.
3. The unit has been exposed to water.
4. Some part of the cabinet or circuitry is physically damaged.

Thank you for purchasing a Velodyne!

Congratulations!

Congratulations on your purchase of a Velodyne servo controlled subwoofer system. This system represents the state of the art in accurate low frequency reproduction. We believe these units to be some of the finest sounding subwoofers available. When properly cared for, this exceptional subwoofer will provide you with years of unparalleled listening pleasure. Enjoy!

Caution!

Please observe the following instructions to insure safe and proper system operation.

Warning!

To prevent fire or shock hazard, do not expose this equipment to rain or moisture. To avoid electrical shock, do not open speaker enclosure or amp chassis cover. Please observe all warnings on the equipment itself. There are no user serviceable parts inside. Please refer all service questions to your authorized Velodyne dealer.

Prior to installation

Please unpack the system carefully! This unit is extremely heavy. Use caution when lifting or moving to avoid injury. Remove all staples used to seal the carton as they can scratch the cabinet. Please save the carton and all packaging materials for future use. Packing this unit in any other carton may result in severe damage when shipping. Please take a moment to record the serial number and date/location of purchase in the space provided on the warranty card for future reference.

Note: Do not move unit while power is on. You may damage the Servo Control circuitry!



Product Features & Controls

- 12" subwoofer with 2 1/2" voice coil & 75oz. magnet
- Built-in 120 watt (RMS) class AB amplifier
- Accelerometer based servo control system for extreme accuracy
- Adjustable (40 to 120Hz) low-pass crossover (defeatable)
- 85Hz high-pass crossover outputs
- Line-level (RCA) inputs & outputs
- Speaker-level inputs & outputs
- Signal sensing auto turn on/off (defeatable)
- Variable volume control
- Selectable phase control (0° or 180°)
- Frequency response of 20Hz - 120Hz +/- 3dB
- Multiple staggered low-pass crossovers; 12dB/octave initial, 48dB/octave ultimate
- Gain compression circuit prevents over excursion & amp clipping
- Power on & protection indicator LED (green)

Installation

Your new Velodyne servo subwoofer provides for a number of installation options. Read all the installation information below in order to determine which installation option is best for your system. **Remember to perform all installation procedures with system power turned off!!!**

Inputs

Your new subwoofer is equipped with speaker-level and line-level inputs. Use the **LINE LEVEL** jacks when connecting your subwoofer to a pre-amp, signal processor, line-level crossover, or receiver with pre-amp level outputs. The **SPEAKER LEVEL** jacks connect directly to the speaker outputs of any amplifier, integrated amplifier or receiver. Your amplifier section will notice no additional loading effects when you use these inputs due to their very high impedance.

Care of your subwoofer

Do not use any harsh detergents or chemicals to clean the cabinet. Abrasives, detergents, or cleaning solutions may damage the finish on the cabinet. We recommend using a damp cloth to clean the cabinet.

During normal conditions, your new subwoofer may be left on continuously without any problems. The unit is equipped with a signal-sensing turn on/off that will automatically turn on the unit when a signal is present at the inputs and turn off the unit after several minutes when there is no longer any signal at the inputs. If you plan to leave the subwoofer unused for an extended period of time, we recommend that you turn off the master power switch on the rear panel.



woofers actually add to the bass spectrum making it appear louder than recorded. This is due to the additional and unwanted harmonics (distortion) of the fundamental signal. While conventional subwoofers offer little to combat distortion products, we at Velodyne have developed another way. . .

The Velodyne servo-control solution

The Velodyne FSX-12 produces sound in the same manner as conventional loudspeakers: a cone-shaped piston is forced to move by means of a linear motor composed of a coil situated between the poles of a very strong permanent magnet. In our F-series products however, a feedback mechanism is provided to link the driver to the amplifier creating a control system loop.

At the heart of this control system is a low mass accelerometer rigidly attached to the voice coil. The accelerometer continuously monitors cone motions, providing us with a feedback signal for the servo control circuitry. This high-gain system is designed to improve linearity and reduce distortion approximately 30 times over conventional non-servo systems. While the input signal is being sent to the class AB amplifier which powers the driver, a continuous signal representing cone motion is sent back to a comparator circuit. This circuit constantly adjusts for any deviation between the input signal and the subwoofer's output. This self regulation results in extreme control over cone movement, and very accurate low distortion sound.

At typical listening levels, these servo controlled units produce less than 1% harmonic distortion with input signals extending to 20Hz and below. Far better than conventional designs currently on the market. This combination provides you with the best combination of clean, deep, accurate bass, without making any sacrifice to distortion.

Important!!!

Do not use both LINE LEVEL and SPEAKER LEVEL connections simultaneously!

Volume control

This control allows you to balance the output from the subwoofer to the main speakers/ amplifier in your system. This control should be set to achieve similar output level from both the main speakers and subwoofer when listening to music. The remote may then be used for minute/temporary adjustments, such as increasing the volume for home theater usage. A good starting point for the volume control is 3 or 4 dots from minimum.

Low-pass crossover- 40 to 120Hz

All inputs sum the left and right channels together, with the resulting signal passing through an adjustable low-pass crossover before being amplified. The crossover control allows you to adjust the upper limit of the subwoofer's frequency response from 40 to 120Hz. The subwoofer's response will begin rolling off above the frequency you set this control to. You should set the crossover frequency to obtain a smooth and seamless transition from the subwoofer to the main speakers in your system. If your main speakers are smaller units with limited low frequency output, you may wish to choose a higher frequency (such as 100-120Hz) than you would with larger speakers which have greater low frequency output. With larger speakers, you might start with this control set lower, such as 80Hz.

A bypass switch is also provided if you wish to use an external crossover. ***If you are not using an external crossover, we recommend that you use the one provided within the unit for optimum performance!***

Phase adjustment- 0°/180°

This control allows you the "reverse" the phase of the subwoofer's output signal 180° to correct for any possible mismatch & resulting cancellation between the subwoofer and your main speakers/amplifier. To adjust, simply listen to the system with music playing. Then move the switch from one position to the other and listen for a change in low frequency output. The correct position will have a greater amount of apparent low frequency output.



Subwoofer Direct switch- In/Out

This switch allows the electronic crossover circuitry to be removed from the signal path. This is required in certain installations which route the signal through external processors with a crossover circuit of their own, such as the new digital units. Simply move the switch to **OUT** to disengage the built in crossover. For all other installations which do not have a separate electronic crossover we recommend you leave the internal crossover **IN** to provide optimum performance.

Auto turn on switch- Auto/On

The auto turn on switch allows the user to utilize or bypass the automatic signal sensing circuitry. When set in the **AUTO** mode with main power **ON**, the subwoofer will turn itself on when an input signal is present. If no signal is present, after several minutes the unit will shut itself off. When set in the **ON** mode, the auto turn on/off function is bypassed and the unit will be on whenever the main power switch is on.

Power switch

The master power switch is located on the right half of the unit. This rocker style switch is the main on/off for the unit. This switch should be set to position **1 (up) for on**, and **0 (down) for off**. If the unit is to be left unused for an extended period of time, the master power switch should be turned off.

Line-level connection

Figure 1 shows connection to a pre-amplifier's main outputs and returning them to your amplifier inputs.

When installed in this fashion, your satellite speakers will be crossed over at 85Hz which removes the lower bass from your amplifier and speakers, enabling them to do a better job reproducing high frequencies. By utilizing this method, you will have a bi-amplified system, gaining improved power and headroom for your system.

The first type of protection circuitry which prevents overdriving of the speaker or amplifier operates constantly without being audible under most situations. In some extreme situations (sustained high output levels), the unit may shut down momentarily. The green power led may also blink rapidly. This indicates operation of the thermal protection circuitry. If this should happen, you should reduce the volume setting or shut the unit off until normal operating conditions return. You may also want to plug the unit into a different wall outlet, as dropping power line voltage will be most noticeable under strenuous conditions.

Distortion in loudspeakers

Nonlinear distortion is a problem which plagues all speakers. This particular type of distortion is a common problem in subwoofers, which must move large amounts of air to produce adequate levels of deep bass. Nonlinear distortion is defined as any form of distortion that moves energy from one portion of the audio frequency spectrum to another. When a single tone is applied to a nonlinear system, the result is harmonic distortion. In which some of the energy leaves the system at multiples of the original frequency. When multiple tones are applied, intermodulation tones are produced, usually as simple combinations of the input frequencies. Generally, 3% distortion is considered a reasonable amount for speakers. This means that 3% of the total energy leaving the speaker is at frequencies other than the intended input signal.

Most subwoofers on the market today however, produce much more than 3% distortion at common listening levels. Many models we have tested produce greater than 20% distortion @ 20Hz when driven to 100dB. This is a typical output level obtained in many systems, particularly home theater systems. Even at 1 watt, many conventional units produce several percent distortion. Secondly, the odd order, higher harmonics are much more offensive to the human ear than the closer 2nd harmonic.

An interesting result of this reduced distortion is that some of the bass, when played over an extremely accurate subwoofer system, seems to actually be missing. The truth, however, is that the "missing" bass was never there to begin with! Distortion products of conventional

continued . . .



locations when possible. When using a pair of Velodyne subwoofers in stereo, it is preferable to place each subwoofer by the satellite of the same channel.

Caution!

This subwoofer has electronics built into the cabinet. Do not place the cabinet next to sources of heat such as furnace registers, radiators, etc. Do not place the unit near sources of excessive moisture, such as evaporative coolers, humidifiers, etc. The power cord should be routed in such a way that it will not be walked on, pinched, or compressed in any way that could result in damaging the insulation or wire.

Regardless of where you install your Velodyne subwoofer, it must remain in an upright position (woofer facing forward). Using, shipping, or otherwise storing the subwoofer in any other position for an extended period of time may result in damage to the unit not covered by warranty.

The FSX-12 subwoofer is not magnetically shielded. When installing near television monitors, test placement with the monitor operational to observe any change in colors. Certain types of televisions are particularly sensitive to stray magnetic fields. If your television produces distorted colors after installing your subwoofer, simply increase the distance between your television and the subwoofer, until normal color and operation is returned.

Protection circuitry

Your new subwoofer is equipped with special protection circuitry to provide maximum performance with greatest reliability.

The unit is protected against:

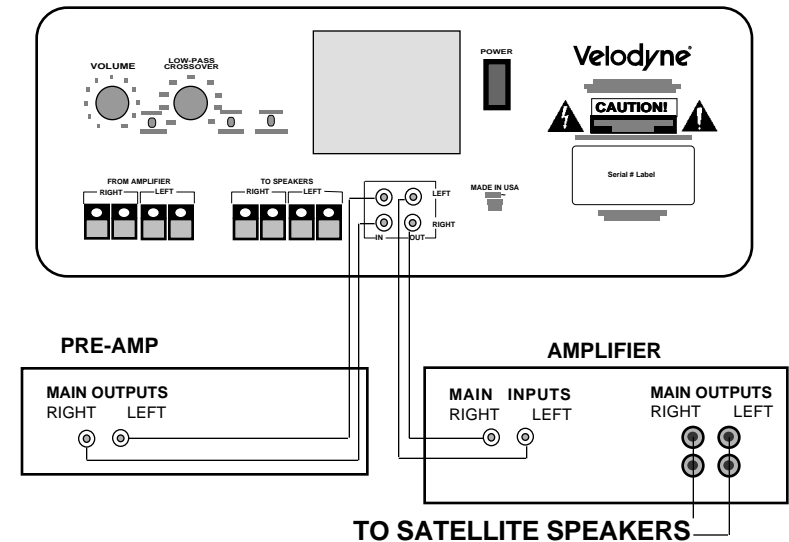
- 1)Overdriving the speaker or amplifier.
- 2)Overheating the amplifier.
- 3)Excessive drop in power line voltage.

Subwoofer outputs

The Velodyne subwoofer is designed to operate using the full range audio signal for input when using the built-in crossover. Some processors/receivers, have a "subwoofer out" jack that is internally filtered and designed to be used with a conventional amplifier and speaker. In some rare cases, combining both an external crossover and the one internal to the subwoofer may result in low output and increased noise. In these installations you may need to bypass the internal crossover in either the processor or Velodyne subwoofer. In some installations, simply setting one crossover to a higher frequency (such as 120 Hz) will restore maximum performance.

To bypass the subwoofer's internal crossover when the unit is being fed a low pass signal from another crossover, simply locate the switch marked X-over, OUT - IN on the rear panel of the subwoofer and set to the OUT position. This will eliminate the internal crossover from the signal path.

Figure 1: Installation using line-level inputs



continued...



Note . . .

If not using an external crossover, you should use the built-in crossover for optimal performance.

Speaker-level connection

Figure 2 shows an easy way to connect your Velodyne subwoofer directly to your receiver or integrated amplifier.

When connected in this fashion, your satellite speakers will be crossed over at 85Hz, which removes the lower bass from your speakers, enabling them to do a better job reproducing high frequencies.

You may also connect your satellites directly to your receiver or amplifier along with the subwoofer if you wish to bypass the internal high-pass crossover.

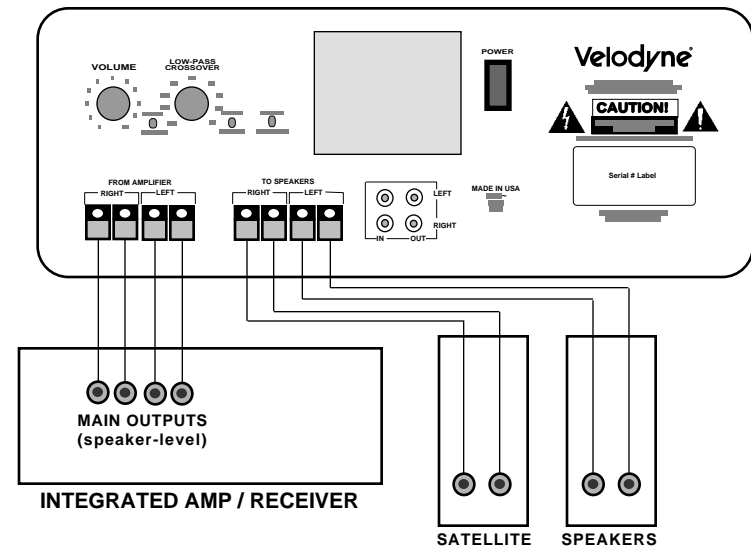
Caution!!!

To avoid damage to your main amplifier, be sure to maintain correct polarity when making all connections. Red (positive) to red, and black (negative) to black. Be sure that all connections are tight, and that there are no loose strands or frayed wires.

Interconnect cables

When installing your new Velodyne subwoofer using the line level connections, you should always use shielded phono cables. There are many decent cables available today, most any of which will work perfectly well. We do recommend that you keep the length of cable as short as possible to avoid any potential noise problems.

Figure 2: Installation using speaker-level (from amplifier) inputs



When using speaker level connections, use a decent quality speaker cable that mates well with the connectors. Be very careful to avoid any loose strands or frayed wires which may result in a short, which may damage your equipment. Cables of extremely large size are typically not required. Extremely large gauge wire may not properly fit in the binding posts, resulting in a poor connection and possible short circuits.

Placement

True subwoofers operate at extremely low frequencies which are primarily omni-directional. While it is recommended that the subwoofer be placed on the same plane as the satellite speakers, room and system conditions often dictate otherwise. Keep in mind that frequency response and output level can be **drastically** influenced by placement, depending on the acoustic properties of the listening room. Typically, the optimum location for a subwoofer is tucked away in a corner of your listening room. This location will usually offer the greatest output levels and optimum low frequency extension. The worst location for a subwoofer is typically far away from any walls, and close to the center of your room. Avoid these

continued . . .



Free Manuals Download Website

<http://myh66.com>

<http://usermanuals.us>

<http://www.somanuals.com>

<http://www.4manuals.cc>

<http://www.manual-lib.com>

<http://www.404manual.com>

<http://www.luxmanual.com>

<http://aubethermostatmanual.com>

Golf course search by state

<http://golfingnear.com>

Email search by domain

<http://emailbydomain.com>

Auto manuals search

<http://auto.somanuals.com>

TV manuals search

<http://tv.somanuals.com>