

LSX Low Smoke Converter

Operator's Manual



www.ultratecfx.com

VER. 30.10.10

Table of Contents

Introduction	3
Warning	3
Important Safety Instructions:	3
Safety Precautions	3
Technical Specifications	4
Technical Drawings	4
Operating Procedure	5
Control Panel Operations	5
Before Requesting Service	6
Recommended Fluids	6
Maintenance Fluid	6
Warranty	7
Contact Information	7

Note: Please read entire manual before operating the LSX

Introduction

Congratulations on your purchase of a Ultratec Special Effects LSX MKII Low Smoke Convertor. With basic care, your LSX will provide years of trouble-free performance. The LSX is a product of many years of research and development resulting in a machine with many fine features and exceptional reliability.

This manual contains detailed information on the operation of your LSX. Please take a few moments to read it over carefully before use, and keep it handy for your reference.



Warning

Important Safety Instructions:

1. Do not touch, place hands or expose skin within 20" (50 cm) of the discharge nozzle.
2. Do not remove the outer case.
3. Persons suffering from asthma or allergenic sensitivity may experience irritation, discomfort or allergic symptoms when exposed to fog effects.
4. Ensure that this unit is grounded at all times. Failure to do so may result in serious injury.
5. Use Ultratec Special Effects fluid **ONLY**.

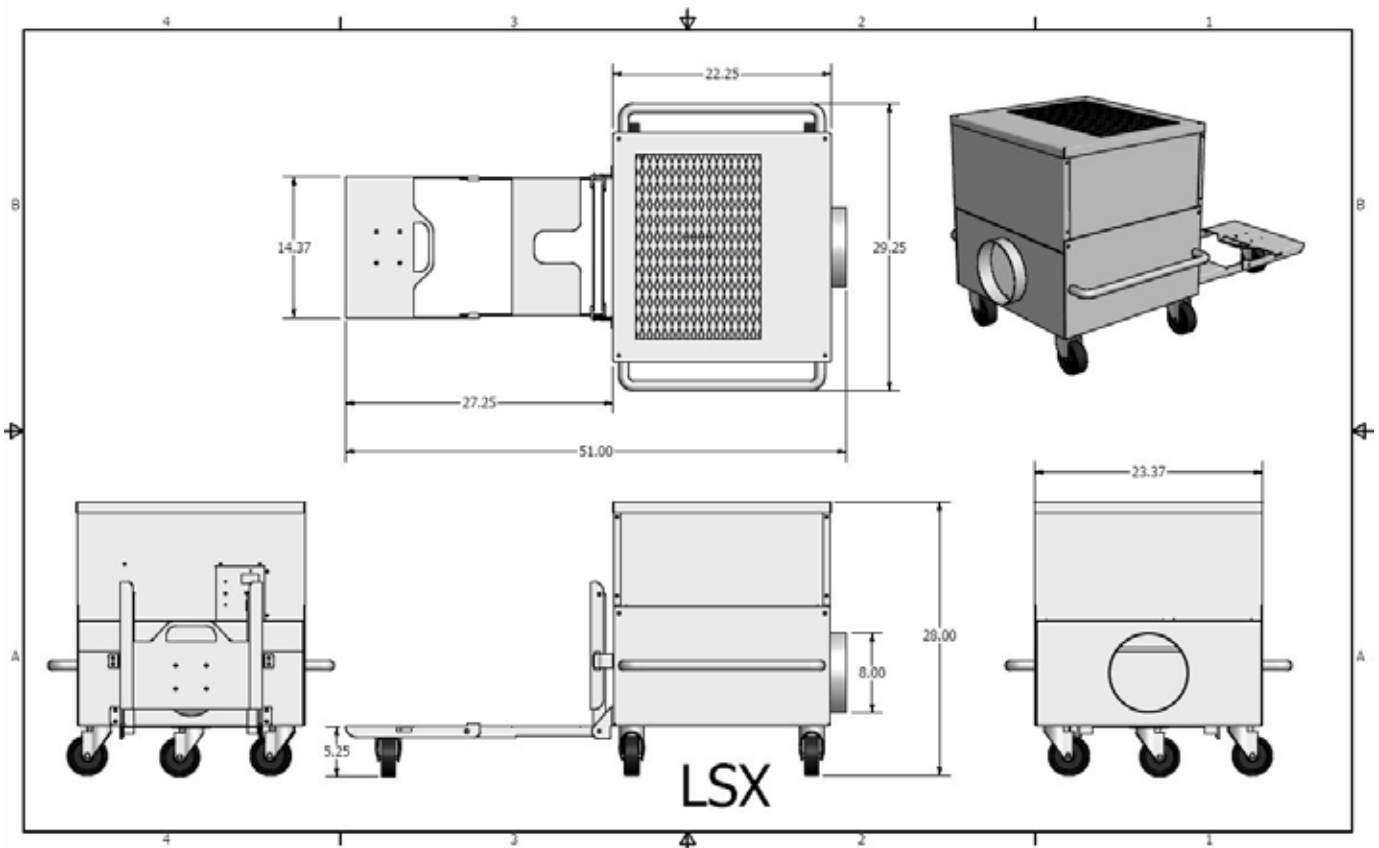
Safety Precautions

1. Ensure that any operation of the machine is supervised by suitably trained and authorized personnel.
2. Do not modify the machine or use a machine which has been damaged in any way.
3. Allow sufficient air circulation around the machine at all times.
4. Protect the machine from direct weather effects and wet locations.
5. Only use fluids manufactured by Ultratec Special Effects.
6. Do not continue to produce fog when visibility is reduced to 20" 50cm or below.
7. Avoid directing fog output continuously at people, structures or objects within close proximity of the discharge nozzle.
8. Ensure that adequate exhausting arrangements are available in the event of an emergency.
9. Do not place hands or exposed skin within the first 20" (50 cm) of the discharge nozzle at any time during fog production.
10. Fog effects can trigger smoke alarms and detectors. Please take suitable precautions to prevent false alarms.

Technical Specifications

Model:	LSX Low Smoke Converter	
Part Number:	CLF 2930 - 120 volt CLF 2915 - 240 volt	
Length:	59in	150cm
Width:	29.5in	75cm
Height:	28in	71cm
Net Weight:	150lbs	68kg
Power Rating:	120 Volt A.C. 50/60 Hz. 12 Amps. 240 Volt A.C. 50/60 Hz. 6 Amps.	
Fluid:	Ultratec Special Effects Water Base Fog Fluid	

Technical Drawings



Operating Procedure

1. During use this machine generates condensation. After use the LSX should be drained via the drain valve.
CAUTION: This may cause the floor to become very slippery. This may also inhibit the performance of the LSX unit.
2. This unit requires a 15 amp circuit to run properly. The use of any extension cords or shared circuit is strongly not recommended.
3. It is essential that Ultratec Special Effects's Genuine Molecular Fluid is used in the Fog Machine to achieve optimum effect.
4. The LSX unit is controlled by a user-friendly panel. When the system switch is in the 'On' position and illuminated, power is established to the LSX unit. A 'green led' is provided to indicate the compressor is operating.
5. An Automatic Reset Low Pressure Switch is provided as protection against compressor damage. If the Low Pressure Switch has been activated the 'Red' LED will illuminate (the 'Green' LED will not be illuminated).
6. The Variable Fan Control regulates Fog Density Output. Some experimenting will produce various effects. An OFF position is provided on this control. It is not recommended that this control be left in the off position as this will eventually result in activation of the Low Pressure Switch and cause a freeze up condition.

Control Panel Operations

1. Fan Knob: this controls the speed of the lower fan. Turning clockwise reduces the speed. Off is at the counter clockwise end.
Note: It is not recommended to leave the control left in the 'Off' position or in a very low setting, the low pressure switch may activate turning off the compressor.
2. Low Pressure Light: when lit, indicates that Low Pressure Protection has been activated. The Low Pressure Switch will automatically reset but may take 2 - 3 cycles to start, unless a leak has occurred in the system.
3. Compressor Light: compressor is operating normal when lit.
4. Power Switch: power is on when lit.
Note: A cooler ambient temperature may result in activation of Low Pressure Switch within a short period of time after initial start up. To remedy this problem the unit can be stored in a warm location, a "load" can be put on the cooling chamber by introducing warm fog into the unit just after start up, or by simply covering the top of the unit to stop air flow.



Before Requesting Service

If LSX will not Power Up	Check Power source and connections
Green 'LED' is not illuminated & Red 'LED' is illuminated	Low Pressure Switch has tripped, allow for Auto Reset
Low Pressure Switch will not Auto Rest. Red 'LED' remains illuminated	Low Refridgerant Charge (Contact Local Dealer)
Fog will not remain on ground	<ol style="list-style-type: none"> 1. Ensure the use of Ultratec Special Effects Fluid 2. Check digital temperature display reading for coil temperature 3. Check Green and Red 'LED' see above
Green 'LED' goes out when unit is operating and Red 'LED' doesn't illuminate	Check Power Source for sufficient voltage. Do NOT use extension cords.
Condensation on floor / Floor seems slippery	<ol style="list-style-type: none"> 4. Too much fog going through LSX 5. Fog machine nozzel is too close to LSX 6. Reduce fog output, or duration

Recommended Fluids

Molecular Fog Fluid: A faster dissipation versus the Director's Choice Fog Fluid. This thick, clean, white fog is an optimal solution for a dense low-lying fog effect when chilled with the LSG or LSX machines.

Maintenance Fluid

EZ Kleen Preventative Maintenance Fluid: Using EZ Kleen preventative maintenance fluid on a regular basis ensures longer life for the heat exchanger in Ultratec fog machines by reducing blockage.

All of our Fog Fluids are water based. Damage will occur if Haze Fluid is used.

Warranty

Warranty:	All warranty is for one year parts and labour unless specified or manufacturer defect only. Abuse or Poor Maintenance will not be covered under warranty. Ultratec Special Effects Fluids must always be used. Use of any non Ultratec Special Effects Fluids will void all warranties. Accept no substitutions as there are no exceptions to this rule. Proof of Purchase or Proof of Sale must always accompany any warranty returns. An RA (return authorization) number must be noted on the outside of the box being returned to our facilities. Any packages without a clearly marked RA number will not be accepted by our receiving department. Freight on warranty items are freight prepaid to our facility and we will prepay freight back to your facility after repair by the most economical means available. Should you require the item express-returned, then you are responsible for any difference in freight cost.
Return Policy:	Return of any product must be done within 30 days of purchase. The package must be returned freight prepaid and the RA number clearly marked on the outside of the box. Minimum restocking fee is 25%. Once our facility has received the product a technical assessment will be completed to determine if an additional restocking fee needs to be issued. Only credits are issued to the dealers account. Any product not returned within 30 days is considered purchased.
Warning:	Ultratec Special Effects Inc. considers all of it's product to be safe for use in the application it was intended. Ultratec Special Effects takes no responsibility for misuse or incorrect use. Always refer to the Product Manual for proper use.

Contact Information

Head Office

Ultratec Special Effects Inc.
1960 Blue Heron Drive
London, Ontario N6H 5L9

Direct: 519-659-7972
Toll Free: 866-534-5557
Fax: 519-659-7713

Canadian Shipping Address

(For All Canadian Repairs)
Ultratec Special Effects Inc.
1960 Blue Heron Drive
London, Ontario N6H 5L9

Please remember to include the **RA Number on all items being shipped for repairs.**

To get an RA Number, visit www.ultratecfx.com and click on the "Service" tab and then click on "Master Service Tracker or contact service at 519-951-3357 / 866.534.5557

USA Shipping Address

(For All USA Repairs)
Ultratec Special Effects Inc.
640 Gadson St.
Groveland, Florida 34736

Free Manuals Download Website

<http://myh66.com>

<http://usermanuals.us>

<http://www.somanuals.com>

<http://www.4manuals.cc>

<http://www.manual-lib.com>

<http://www.404manual.com>

<http://www.luxmanual.com>

<http://aubethermostatmanual.com>

Golf course search by state

<http://golfingnear.com>

Email search by domain

<http://emailbydomain.com>

Auto manuals search

<http://auto.somanuals.com>

TV manuals search

<http://tv.somanuals.com>