



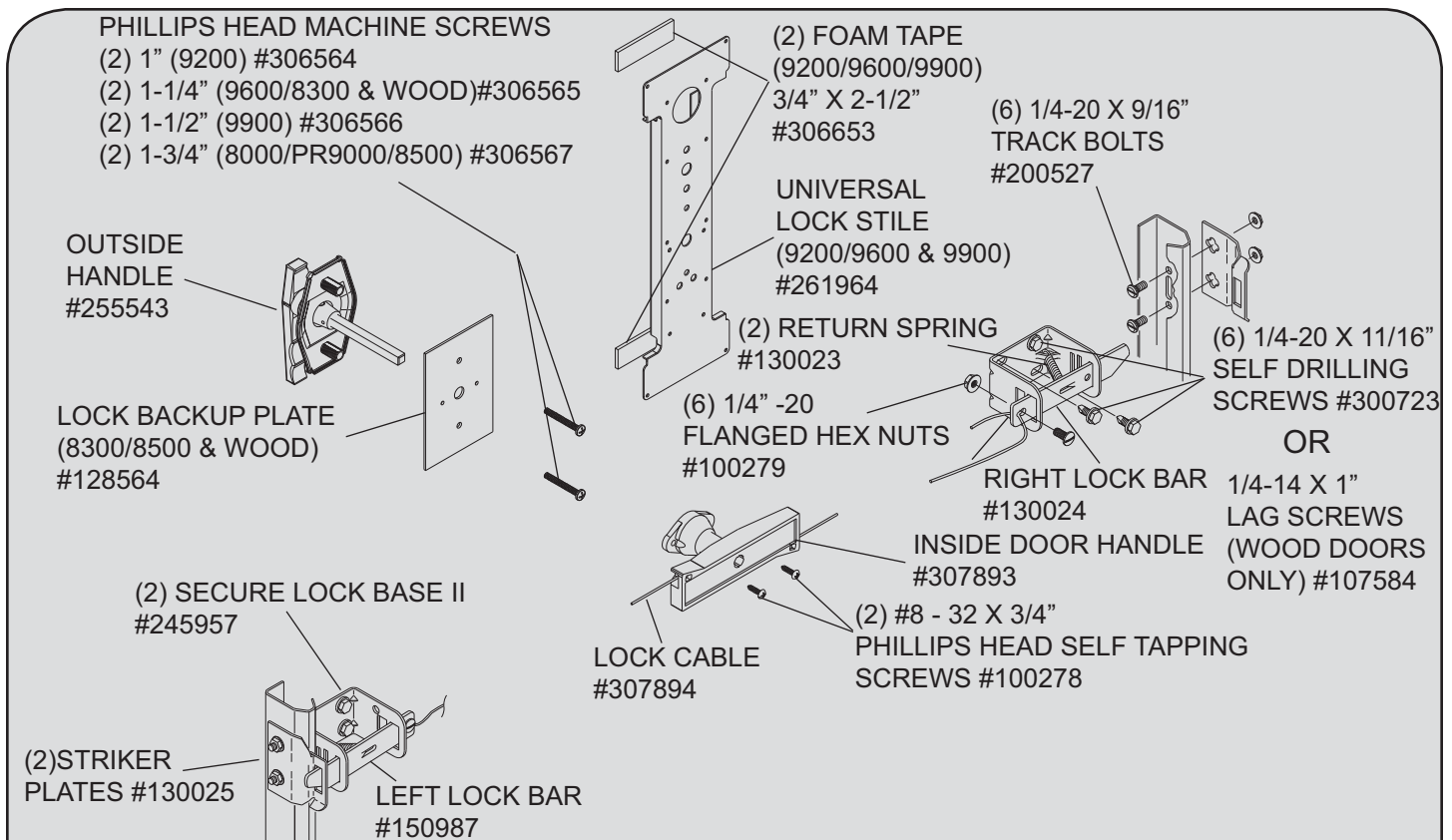
Wayne-Dalton Corp.  
P.O. Box 67 Mt. Hope, OH 44660  
www.wayne-dalton.com

# Keyed-in-Handle Secure ECR Lock

## Installation Instructions and Owner's Manual

### Models: 260597, 260600

## All Residential Door Models: 8000/9000 Series & Wood Doors



### Required Tools

- (1) Electric Drill
- (1) 1/8" Drill Bit
- (1) 3/4" Dia. Hole Saw
- (1) 7/16" 6 Point Nut Driver
- (1) 7/16" Wrench Or Socket
- (1) Pliers/Wire Cutter
- (1) Phillips Screw Driver
- (1) Standard Screw Driver
- (1) Center Punch

## Important Notice!

REFER TO THE DOOR MODEL INSTALLATION INSTRUCTIONS MANUAL FOR

## Step 1: Installing the ECR Lock

**CAUTION** DO NOT DRILL LOCK SECTION OR INSTALL LOCK ON DOORS WITH OPENERS. THE DOOR AND/ OR OPENER MAY BE DAMAGED IF THE OPENER IS USED WHILE THE DOOR IS LOCKED.

**NOTE:** Common practice for doors with the odd number of raised panels is to mount the lock towards the right side of the section when looking out.

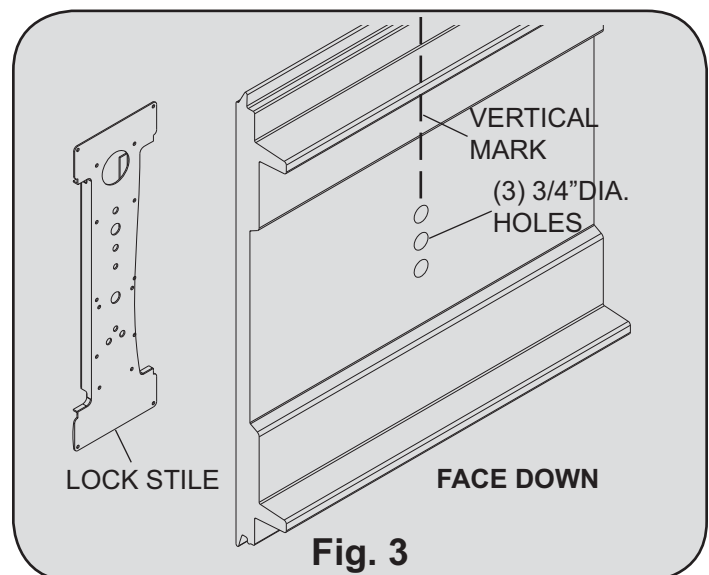
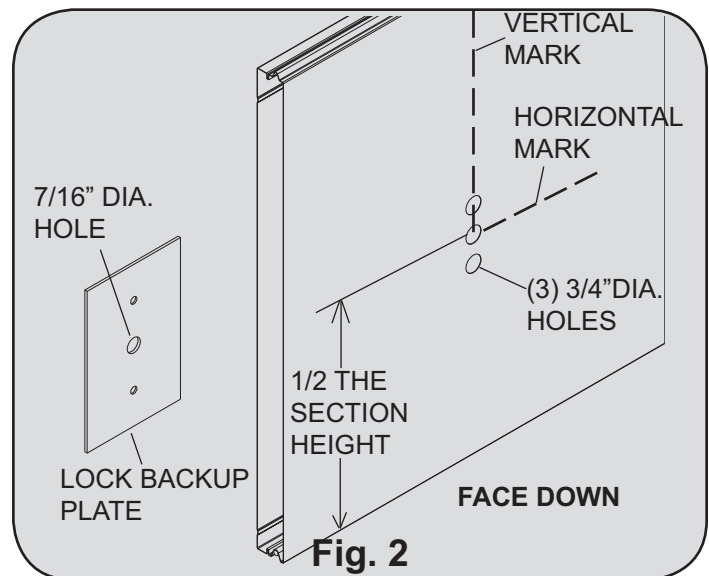
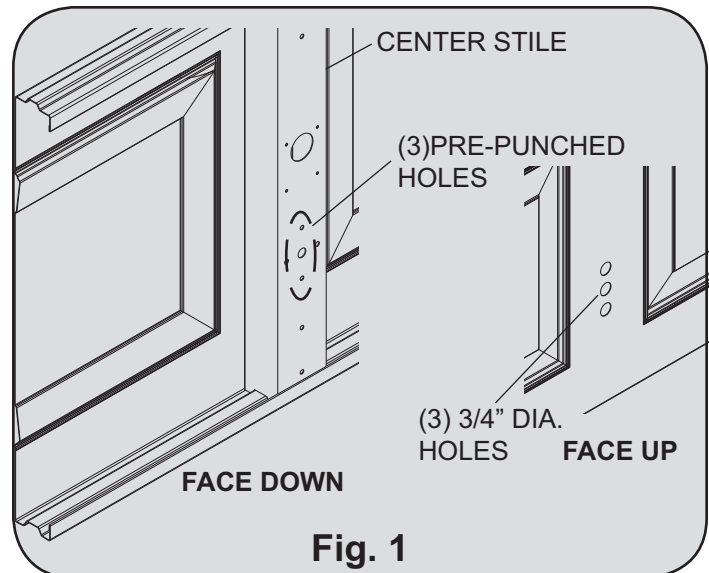
**IMPORTANT:** Remove all burrs from the drilled holes before installing the lock to the section.

**8000/8100/8200/PR9000 & PR9050 Series doors (see Fig.1),** place the lock section face down on (2) padded sawhorses for a single car door or (3) padded sawhorses for a double car door. Locate the (3) hole pattern in the center stile of the lock section. Use the (3) holes as a template to drill (3) 1/8" diameter holes through the section. Flip the section over, face up. With the section face up, enlarge all (3) holes to 3/4" diameter, **pay close attention not to drill complete through section into center stile.**

**NOTE:** Do not drill through or enlarge holes in the center stile.

**8300/8500 Series & Wood doors (see Fig.2),** place the lock section face up on (2) padded sawhorses for a single car door or (3) padded sawhorses for a double car door. Locate the middle of the center stile, measure the distance from the end of the section to the middle of the center stile. Turn the section face down, transfer the measurement and mark a light vertical line, then mark a horizontal line at half the section height. Align the 7/16" diameter hole of the lock backup plate at the intersection point of the horizontal and vertical marks, use the lock backup plate as a template to mark the (3) holes, remove the lock backup plate and drill (3) 3/4" diameter holes through the section.

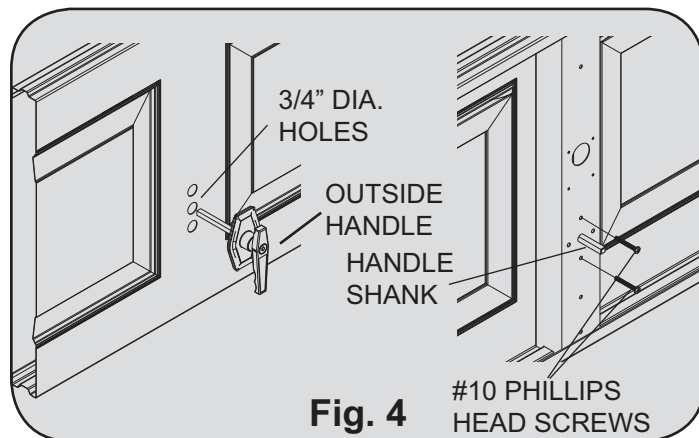
**9000 Series doors (see Fig.3),** place the lock section face up on (2) padded sawhorses for a single car door or (3) padded sawhorses for a double car door. Locate the middle of the center stile, measure the distance from the end of the section to the middle of the center stile. Turn the section face down, transfer the measurement and mark a light vertical line. Align the center of the lock stile with vertical mark, use the lock stile as a template to mark the (3) holes, remove the lock stile and drill (3) 3/4" diameter holes through the section.



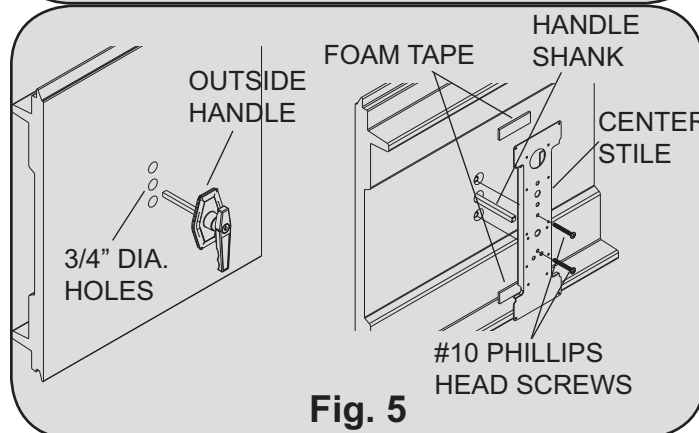
## Step 2: Outside Lock Handle Assembly

**8000/PR9000 & PR9050 Series doors (see Fig. 4),** align the outside handle assembly with the handle pointing towards the floor and insert the assembly through the previously drilled 3/4" diameter holes in the section. Secure the outside lock handle to the section with (2) #10 phillips head screws.

**9000 Series & Wood doors (see Fig. 5),** align the outside handle assembly with the handle pointing towards the floor and insert the assembly through the previously drilled 3/4" diameter holes in the section. With the outside lock placed in the section, place the center lock stile over the shank of the outside lock handle, secure the center lock stile with foam tape (8300/8500 Series & Wood doors will use the lock backup plate with no foam tape). Secure the outside lock handle to the section by placing the (2) #10 phillips head machine screws through the lock stile into the lock section. **NOTE: Before proceeding to the next step its recommended that the outside handle be locked.**



**Fig. 4** #10 PHILLIPS HEAD SCREWS



**Fig. 5**

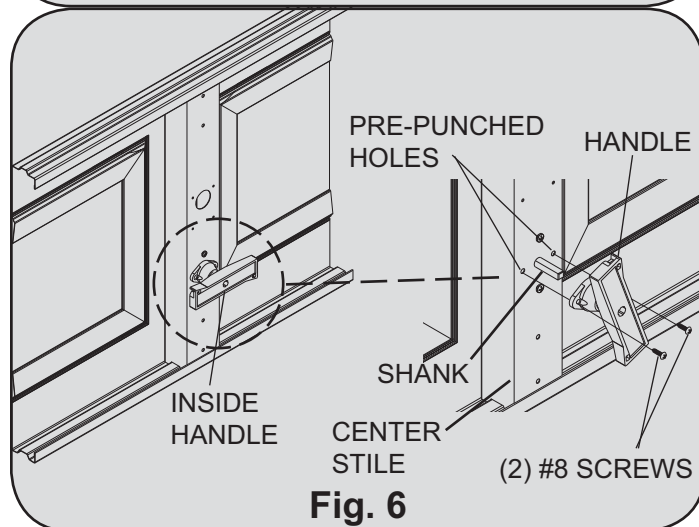
## Step 3: Inside Handle Assembly

**8000/8100/8200 & 9000 Series doors (see Fig.6),** position the inside handle over the shank of the outside handle, flush against the center stile. Align the holes in the handle with the pre-punched holes in the center stile, then turn the handle clockwise to secure with (2) #8 screws.

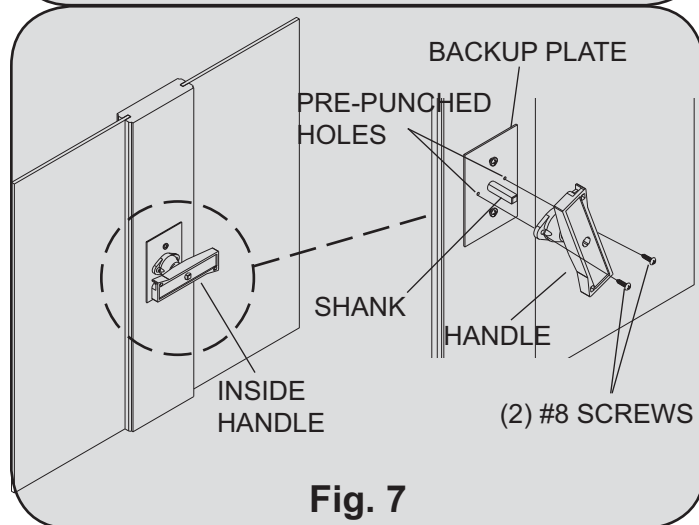
**8300/8500 Series & Wood doors ( see Fig.7),** position the inside handle over the shank of the outside handle, flush against the lock backup plate. Align the holes in the handle with the pre-punched holes in the lock backup plate, then turn the handle clockwise to secure with (2) #8 screws.

**NOTE: When securing the inside handle bracket, be sure not to over tighten the screws or damage to the inside handle may occur.**

**NOTE: Follow the Main Installation Instruction Manual to install the door sections and vertical track before you install the remainder of the lock parts. After the sections and track are installed, continue with Step 4.**



**Fig. 6**



**Fig. 7**

## Step 4: Installing the Secure Lock

**8000/9000 Series & Wood doors (Fig.1-3)**, locate the inside handle and uncoil the lock cable, then thread the cable through the inside handle as illustrated (see Fig.1).

Locate the secure lock striker plates over the pre-punched holes in the vertical track nearest the center of the lock section (see Fig.2). Fasten the striker plates to the vertical track using (2) 1/4-20 x 9/16" track bolts and flanged hex nuts. Lock bars are embossed "R" for right side and "L" for left side. Place the lock bars into the slots in the secure lock base (see Fig. 3). Attach the springs to the tabs on the base and the lock bar. Position the end of the right lock bar into the slot in the right striker plate. Move the base of the secure lock back 1/8" from the edge of the section. Attach the secure lock to the section with (4) 1/4-20 x 11/16" self drilling screws. Repeat for the left side. Feed one end of the lock cable through the slotted hole of a lock bar and secure with (1) 1/4-20 x 9/16" track bolt.

Pull the cable taut, but not enough to pull the lock bar out of the striker plate. While holding taut, feed the lock cable through the slotted hole of the remaining lock bar, secure with (1) 1/4-20 x 9/16" track bolt and flanged hex nut.

**NOTE: Ensure that the bolt is through the front of the lock bar and the nut is on the back of the lock bar with cable going through the front of the lock bar.**

Operate the lock several times to make sure the lock bars clear the striker plates when the handle is turned and the lock bars engage the striker plates when the handle is released. Adjust the cables if necessary. Trim off the excess cable with wire cutters after the lock is operating satisfactorily.

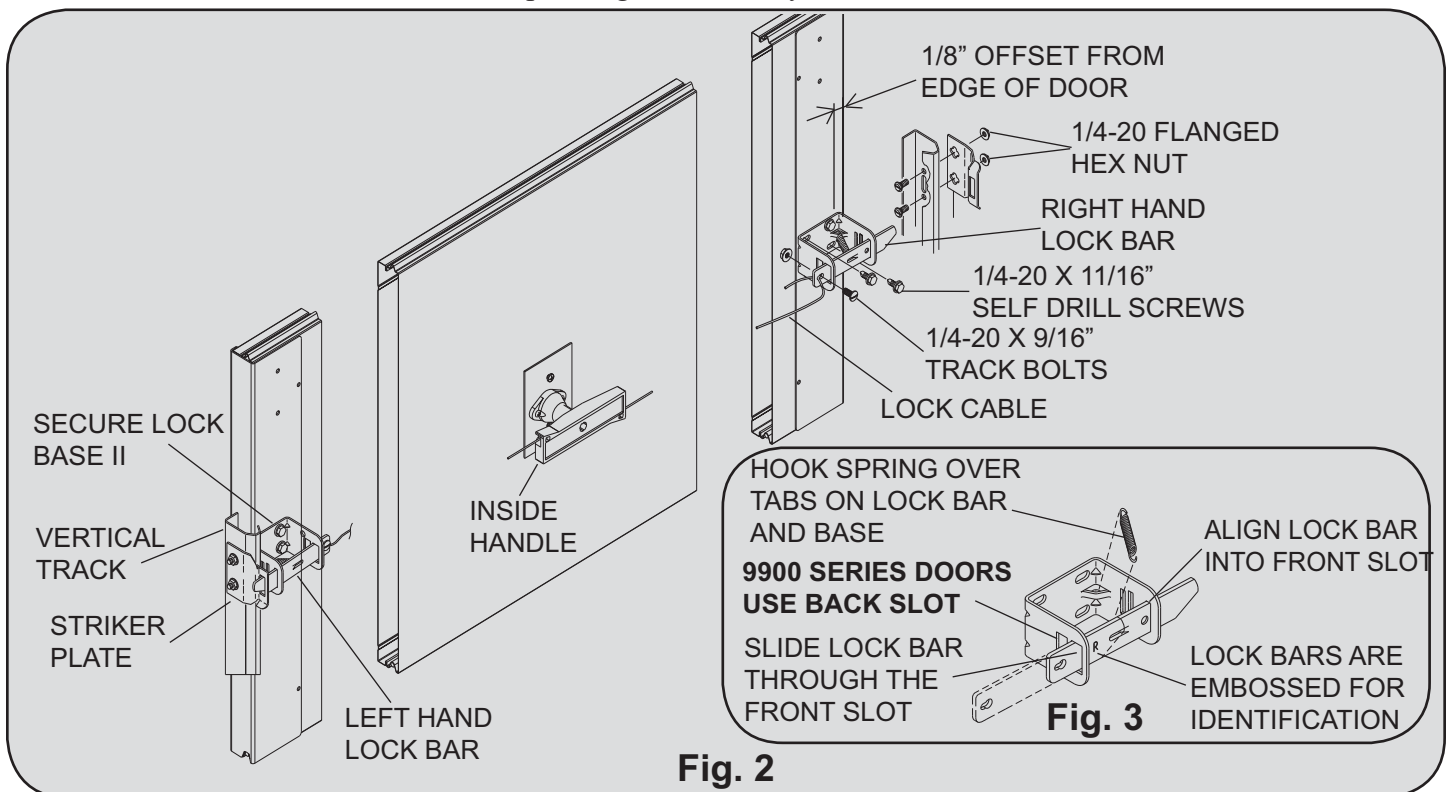
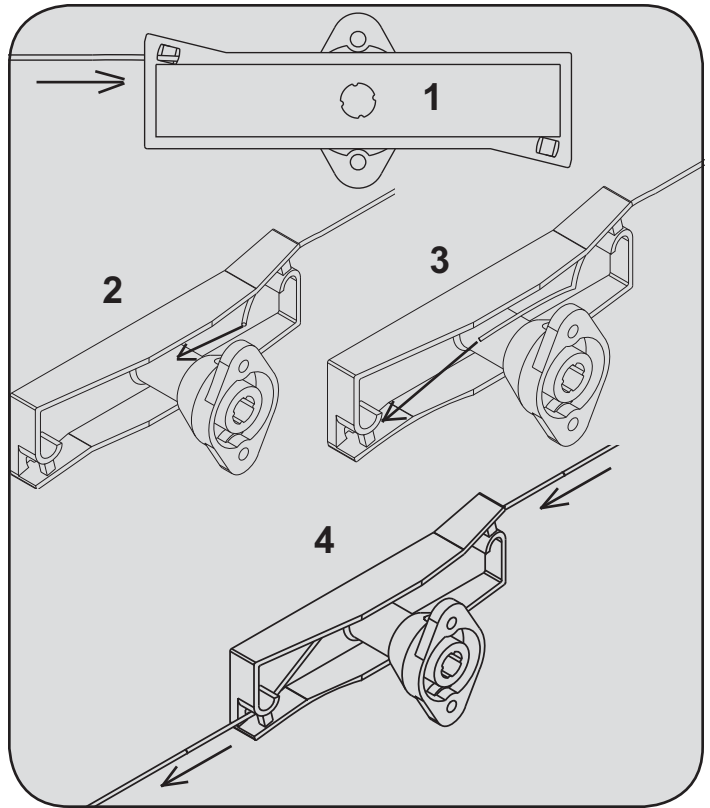


Fig. 2

Fig. 3

## Free Manuals Download Website

<http://myh66.com>

<http://usermanuals.us>

<http://www.somanuals.com>

<http://www.4manuals.cc>

<http://www.manual-lib.com>

<http://www.404manual.com>

<http://www.luxmanual.com>

<http://aubethermostatmanual.com>

Golf course search by state

<http://golfingnear.com>

Email search by domain

<http://emailbydomain.com>

Auto manuals search

<http://auto.somanuals.com>

TV manuals search

<http://tv.somanuals.com>