

SERVICE MANUAL

Heavy Duty Gas Griddles

ITW Food Equipment Group

VULCAN

MODEL *MLS*

924RE ML-135221-00G24
936RE ML-135222-00G36
948RE ML-135223-00G48
960RE ML-135224-00G60
972RE ML-135225-00G72

www.vulcanhart.com



924RE



AGE24



MODELS *MLS*

AGE24 ML-135226-00G24
AGE36 ML-135227-00G36
AGE48 ML-135228-00G48
AGE60 ML-135229-00G60
AGE72 ML-135230-00G72

www.wolfrange.com

ITW Food Equipment Group, LLC
3600 North Point Blvd.
Baltimore, MD 21222

FORM F-35628 (Rev. 8-07)

TABLE OF CONENTS

INSTALLATION	4
COMPONENT LOCATION	5
948RE AND AGE48 CONTROL PANEL	5
CONTROL PANEL	6
BULLNOSE	6
HEAT SHIELD	7
BACK PANEL	7
THERMOSTAT	7
THERMOSTAT TROUBLESHOOTING	8
SYMPTOM – NO POWER TO THE BURNER SOLENOID	8
SYMPTOM – GRIDDLE SURFACE TEMPERATURE IS MORE THAN $\pm 15^{\circ}\text{F}$ OF THERMOSTAT SET POINT	8
THERMOSTAT REMOVAL	8
THERMOSTAT CALIBRATION	9
POWER ON/OFF SWITCH.....	10
POWER SWITCH TROUBLESHOOTING.....	10
SYMPTOM – NO POWER BEING SUPPLIED TO THE UNIT	10
POWER SWITCH REMOVAL.....	10
INDICATOR LIGHT.....	10
INDICATOR LIGHT TROUBLESHOOTING	10
SYMPTOM – LIGHT DOES NOT COME ON WHEN THERMOSTAT AND BURNER ARE ON	10
INDICATOR LIGHT REMOVAL	11
FLAME SWITCH.....	11
FLAME SWITCH TROUBLESHOOTING	12
SYMPTOM – INDICATOR LIGHTS AND BURNER VALVES NOT WORKING	12
HELPFUL HINT.....	12
FLAME SWITCH REMOVAL	12
HELPFUL HINT.....	12
SPARK IGNITER MODULE.....	12
SPARK IGNITOR TROUBLESHOOTING	13
SYMPTOM – NO SPARK BETWEEN PILOT HEAD AND ELECTRODE.....	13
SYMPTOM – ELECTRODE CONTINUALLY SPARKS AFTER PILOT IS LIT.....	13
SPARK IGNITOR REMOVAL	13
SOLENOID VALVES	13
SOLENOID VALVE TROUBLESHOOTING.....	14
SYMPTOM – NO GAS FLOW TO BURNER	14
SOLENOID VALVE REMOVAL.....	14
PILOT VALVE.....	14
PILOT VALVE TROUBLESHOOTING	14
SYMPTOM – PILOT WILL NOT LIGHT	14
PILOT ASSEMBLY REMOVAL.....	15
HELPFUL HINT.....	15
BURNER.....	15
BURNER TROUBLESHOOTING	16
SYMPTOM – ALL BURNERS HAVE A LOWER OR HIGHER FLAME THAN NORMAL	16
SYMPTOM – ONE OR MORE BURNERS HAVE LOWER FLAME LEVEL THAN THE OTHERS.	16

SYMPTOM – ONE BURNER HAS A DELAYED IGNITION; A SEVERAL SECOND LAPSE BETWEEN THE INDICATOR LIGHT TURING ON AND WHEN THE BURNER ACTUALLY LIGHTS.	16
BURNER REMOVAL	16
BURNER ADJUSTMENT	16
GAS REGULATOR.....	17
REGULATOR TROUBLESHOOTING.....	18
SYMPTOM – UNIT WILL NOT MAINTAIN CONSISTENT PRESSURE.....	18
GAS PRESSURE MEASURMENT	18
SEQUENCE OF OPERATION.....	19
FROM THE INSIDE OUT.....	19
WIRING DIAGRAMS	20
WIRING DIAGRAM – 24-INCH GRIDDLE.....	20
WIRING DIAGRAM – 36-INCH GRIDDLE.....	21
WIRING DIAGRAM – 48-INCH GRIDDLE.....	22
WIRING DIAGRAM – 60-INCH GRIDDLE.....	23
WIRING DIAGRAM – 72-INCH GRIDDLE.....	24

GENERAL

INTRODUCTION

This manual is prepared for the use of trained service technicians and should only be used by those who are properly qualified. This manual is not intended to be all encompassing. You should read, in its entirety, the repair procedure you wish to perform to determine if you have the necessary tools, instruments and skills required to perform the procedure. Procedures for which you do not have the necessary tools, instruments and skills should not be attempted.

⚠ WARNING Disconnect the electrical power and follow lockout / tagout procedures

⚠ WARNING Certain procedures in this manual require electrical test or measurements while power is applied to the machine. Exercise extreme caution at all times when attempting these procedures. Before testing, disconnect electrical power and follow lock/out tagout procedures, then attach test equipment and reapply power to test.

Procedures in this manual will apply to all 900RE and AGE models unless specified. No procedure in this manual will require the removal or raising of the griddle plate. Pictures and illustrations can be of any model unless the picture or illustration needs to be model specific.

INSTALLATION

Generally, installations are made by the dealer or contracted by the dealer or owner. Detailed installation instructions are included in the Installation and Operation Manual that is sent with each unit. However, it should be noted that an improperly installed unit, especially an unlevel unit can lead to premature electrical component failures. A unit that is higher in the front will cause the flue gases to vent improperly and gather in the front near the electrical components. All 900RE and AGE models must be installed with an externally mounted regulator.

OPERATION

Detailed operation instructions are included in the Installation & Operation Manual sent with each unit and are also available at WWW.VULCANHART.COM.

CLEANING

Detailed cleaning procedures are included in the Installation & Operation manual sent with each unit.

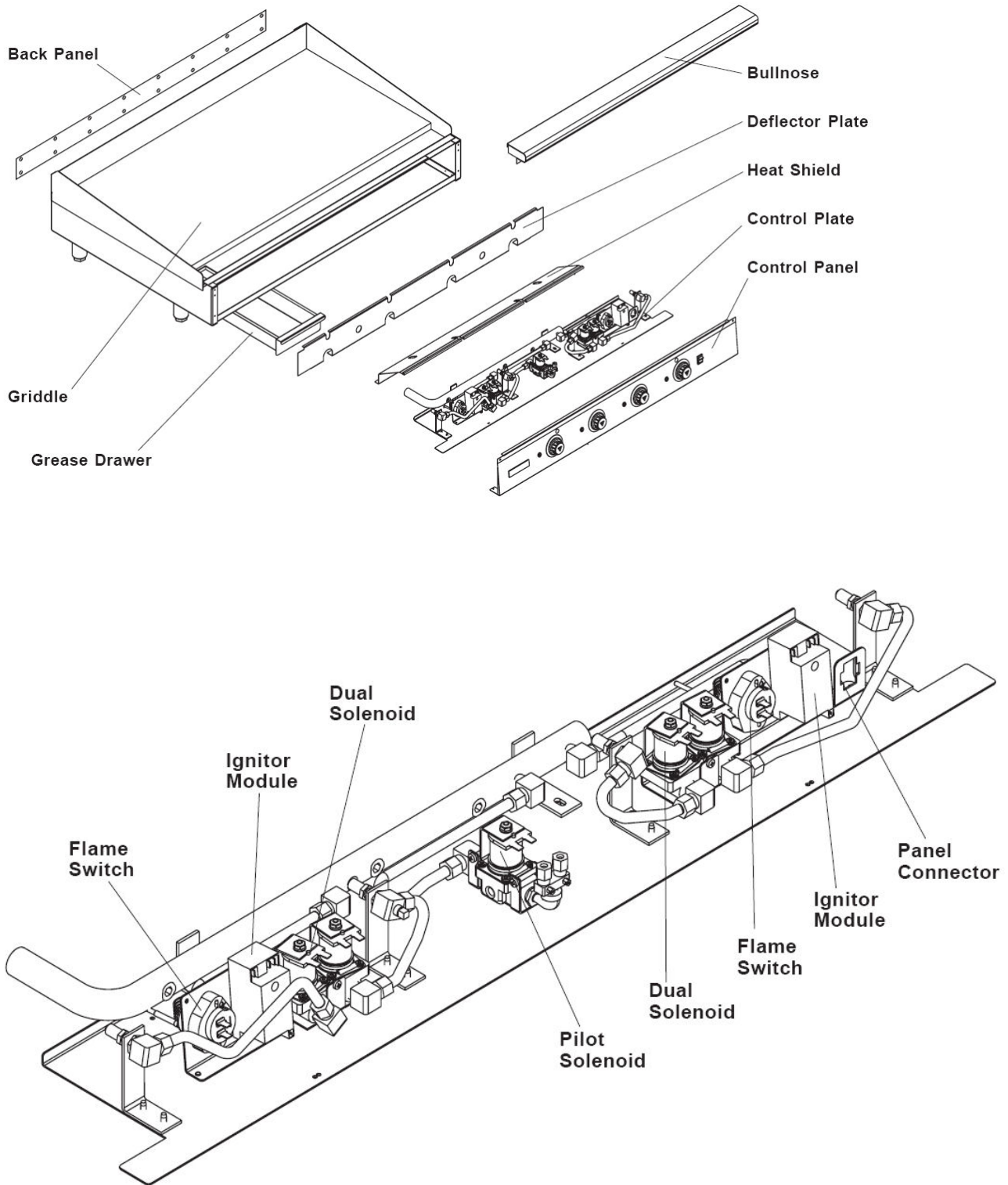
LUBRICATION

No lubrication is required on this equipment.

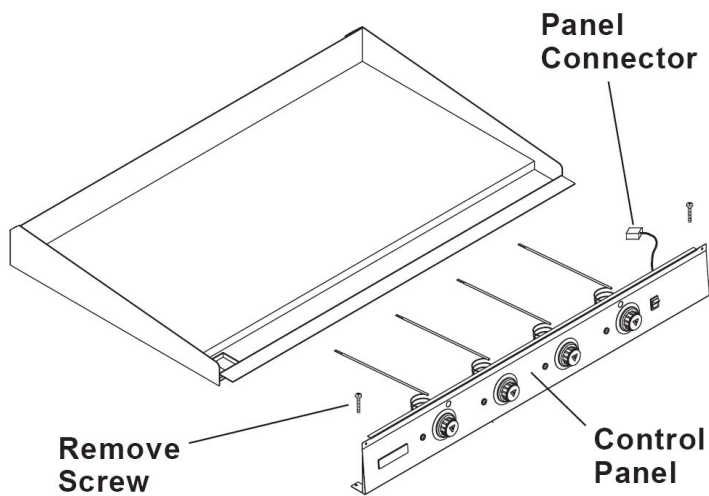
SPECIFICATIONS

All 900RE and AGE models operate on 120 volt, 60 hertz, single phase at 0.5 amps. All models are equipped with electric snap-action thermostats, automatic spark igniters and pilot flame safety switches. All models are equipped with 30,000 BTU/HR burners as standard equipment. One burner is used for every 12 inches of griddle surface. Natural gas models are to operate at 5.0" W.C. manifold pressure and LP models at 10.0" W.C. manifold pressure with main burners on.

COMPONENT LOCATION



948RE AND AGE48 CONTROL PANEL



CONTROL PANEL

⚠ WARNING

Disconnect the electrical power and follow lockout / tagout procedures

The Control Panel holds the thermostats, indicator lights and power switch, and is connected to the Control Plate with a Panel Connector

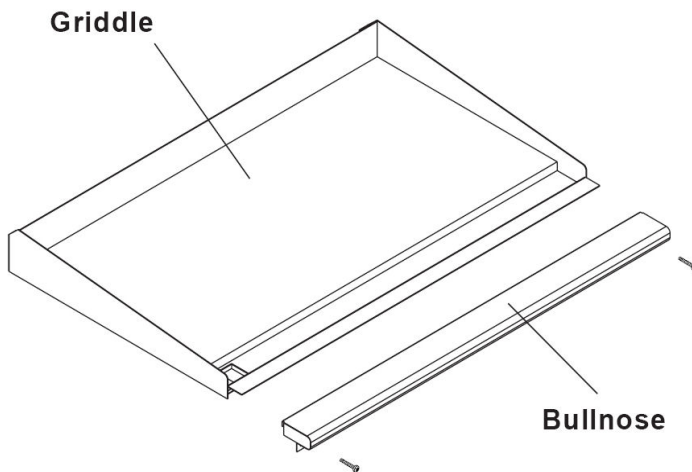
1. Remove the four screws securing the control panel. There are two screws at each end of the panel.
2. Pull the control panel forward and disconnect the electrical panel connector near the right end.
3. Reverse the procedure to install.

BULLNOSE

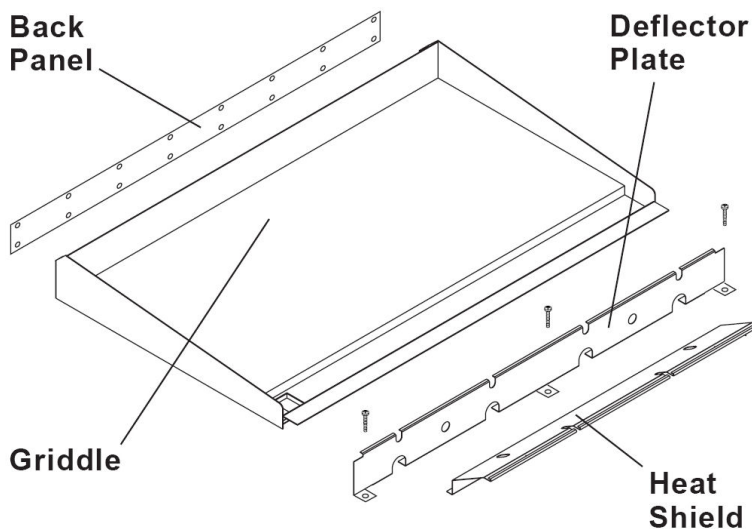
⚠ WARNING

Disconnect the electrical power and follow lockout / tagout procedures

The Bullnose acts as a front rail or shelf during griddle operation.



1. Remove the Control Panel.
2. The bullnose assembly is secured with several screws, one each end of the bottom of the assembly and several more (depending on size) facing the griddle plate.
3. Reverse the procedure to install.



HEAT SHIELD

⚠ WARNING Disconnect the electrical power and follow lockout / tagout procedures

The heat shield protects the electrical components and should only be temporarily removed for easier replacement of some the control components.

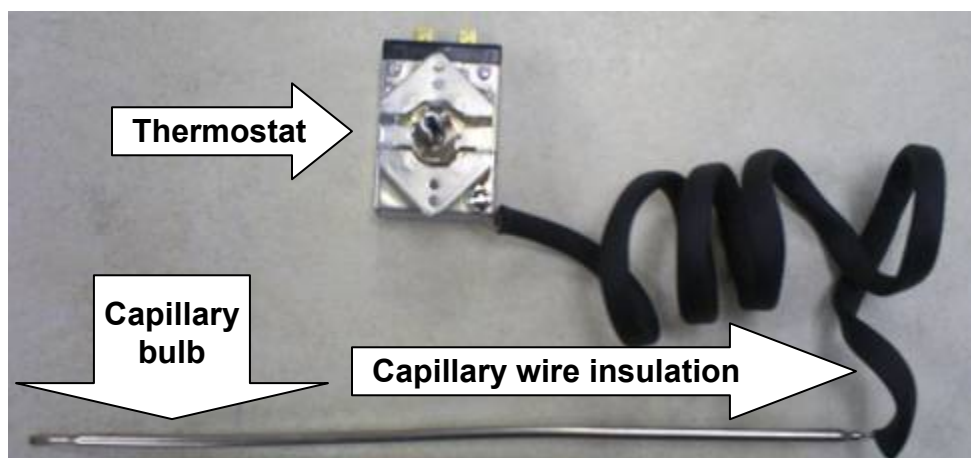
1. Remove the control panel.
2. Remove screws along the top edge that secure the heat shield.
3. The shield clamps on the front of the chassis and can be removed by grasping the top of the shield and pulling forward.

BACK PANEL

It should only be necessary to remove the back panel when changing a burner or to remove excessive grease build up from the flue area.

1. Disconnect gas supply at griddle.
2. Remove all screws from rear of griddle securing the back panel.
3. Reverse the procedure to install.

THERMOSTAT



The thermostat is a snap action, single pole – single throw type. The thermostat supplies power to the main burner solenoid valves when turned on or until the temperature set point is reached.

⚠ WARNING Disconnect the electrical power and follow lockout / tagout procedures

THERMOSTAT TROUBLESHOOTING

SYMPTOM – NO POWER TO THE BURNER SOLENOID

1. Check for loose or excessively greasy/dirty connections at terminals
2. Check for continuity/resistance between the two thermostat terminals with wires disconnected
 - A. If you get continuity/resistance with the thermostat off or open – replace thermostat
 - B. If you do not get continuity or resistance with thermostat on or closed – replace thermostat
3. Check flame switch for continuity/resistance and voltage
4. Check for voltage from hot line
 - A. If no voltage check wiring for shorts or breaks

SYMPTOM – GRIDDLE SURFACE TEMPERATURE IS MORE THAN $\pm 15^{\circ}\text{F}$ OF THERMOSTAT SET POINT

1. Ensure that you are using a high quality, calibrated surface temperature measuring device.
 - A. Do not use an infrared thermometer – these are highly inaccurate on a griddle plate.
 - B. Refer to instructions on the proceeding page for proper placement of probe and method.
2. Check that burners are properly adjusted.
3. Check that burner valves are operating correctly.
4. Check that there are no burner orifice obstructions
5. Check that thermostat capillary bulb is completely seated back as far as possible in the groove on the bottom of the plate. No part of the bulb should be exposed from behind the bulb heat shield.
6. Check that the high temp. capillary wire insulation is completely covering capillary wire from the connection at the thermostat to the beginning of the bulb and that the insulation is not damaged or burned thru. If insulation appears damaged – replace the insulation.
7. If you have found no problems in steps 1 – 6, proceed to the next page for calibration instructions.
8. If thermostat will not calibrate after all previous steps – replace thermostat.

THERMOSTAT REMOVAL

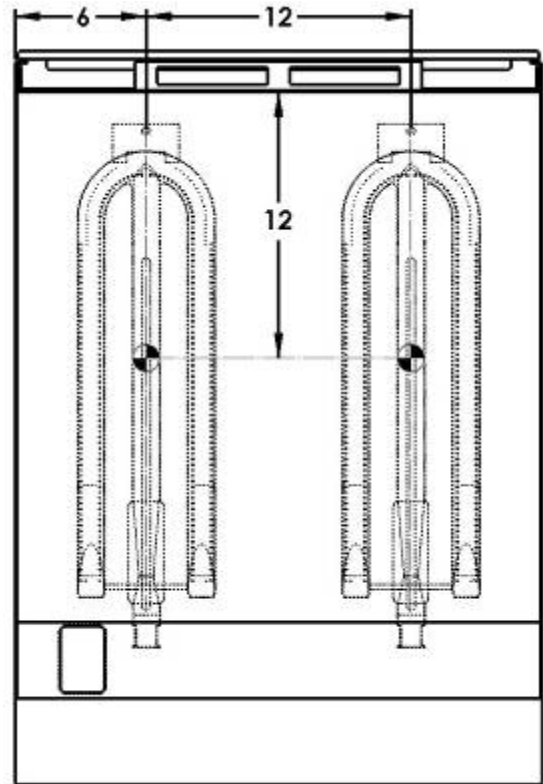
1. Remove the control panel
2. Remove the knob
3. Label and disconnect the wires
4. Remove the two screws and two washers securing the thermostat dial and thermostat to the Control panel.
5. Remove the heat shield.
6. Pull the capillary bulb straight out from the plate groove.
7. Reverse the procedure to install while ensuring that capillary bulb is completely seated – all the way to the back of the plate groove.
8. Check that capillary wire is completely covered with insulation from the connection at the thermostat to the beginning of the sensor bulb.

THERMOSTAT CALIBRATION

- Each thermostat controls a 12" zone of the griddle. Using a Surface Probe temperature measurement device, observe the temperatures at the center points of the cooking zones. These points are located by starting 6" from the side splash (left or right) and every 12" across the width of the griddle, with all points located 12" back from the front edge of the griddle plate.

NOTICE Use of infrared thermometers is not recommended. These devices are highly sensitive to surface color (clean or dirty), angle of reading and distance from the unit.

- Set thermostats to 350°F and allow to stabilize, allowing the indicator light to cycle ON and OFF at least two times.
- Watch for indicator light to cycle OFF, then measure the temperature for that zone. The temperature should be 350°F ±15°F. If not, continue to Step 4.



- Carefully loosen the knob set screw. DO NOT allow the knob to turn. Carefully remove the knob from the thermostat shaft, exposing the temperature dial.
 - Loosen screws on the temperature dial and adjust so that the temperature indicated by the knob arrow matches the griddle plate temperature reading. Knob will have to be placed back on the shaft to verify adjustment.

NOTICE Never adjust the screw in the center of the thermostat shaft. This will ruin the factory calibration; the thermostat will no longer operate properly and will need to be replaced.

- Once calibration is achieved, tighten the temperature dial screws and knob set screws.



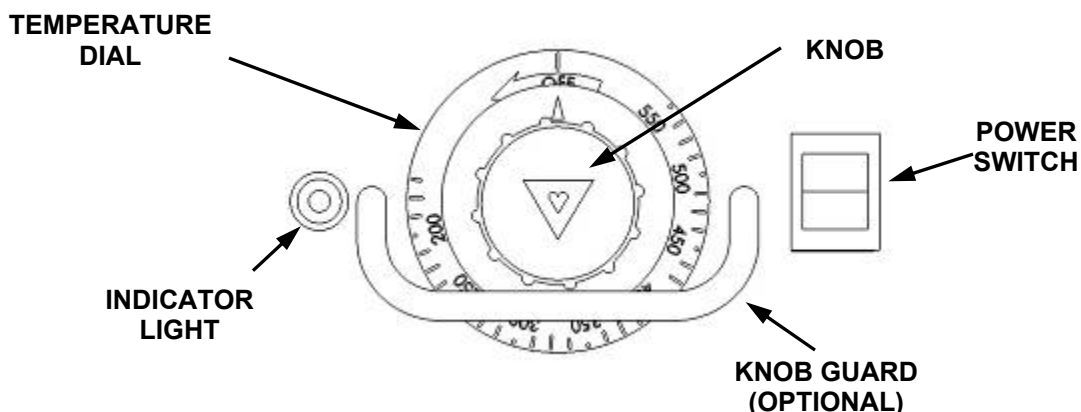
Step 4a. Set knob & check Temperature. Remove knob



Step 4b. – Adjust temperature dial & verify temperature setting



Step 5 – Replace knob & tighten screws



POWER ON/OFF SWITCH

The Power Switch controls the power supply to all other electronic components.

⚠ WARNING Disconnect the electrical power and follow lockout / tagout procedures

POWER SWITCH TROUBLESHOOTING

SYMPTOM – NO POWER BEING SUPPLIED TO THE UNIT

1. Check for loose or excessively greasy/dirty connections at terminals.
1. With power wires disconnected check for continuity/resistance between the 1 and 2 terminals
 - A. If continuity/resistance with switch in “off” position – replace switch
 - B. If no continuity/no resistance with switch in “on” position – replace switch
3. Check for 120 voltage from #2 terminal to ground with power on
 - A. If no voltage – check main wiring from j box and power cord/plug
 - B. If getting voltage to #2 terminal – check voltage to #1 terminal to ground with switch in “on” position.
 1. If no voltage – replace switch

POWER SWITCH REMOVAL

1. Remove the control panel.
2. Label and disconnect the wires to the power switch.
3. Squeeze the switch retainers and slide the switch out through the front of the control panel.
4. Reverse the procedure to install and check for operation.

INDICATOR LIGHT

The indicator light illuminates to indicate that the corresponding thermostat and burner have turned on and gas is flowing through the corresponding solenoid valve.

INDICATOR LIGHT TROUBLESHOOTING

SYMPTOM – LIGHT DOES NOT COME ON WHEN THERMOSTAT AND BURNER ARE ON.

1. Check for loose or excessively greasy/dirty terminal connections
2. There should always be 120V from the hot wire to ground whether the thermostat is on or not.
 - A. If no voltage – check wiring for short or break.
3. With thermostat on and corresponding burner lit – check for 120 voltage between hot wire and the wire coming from thermostat.

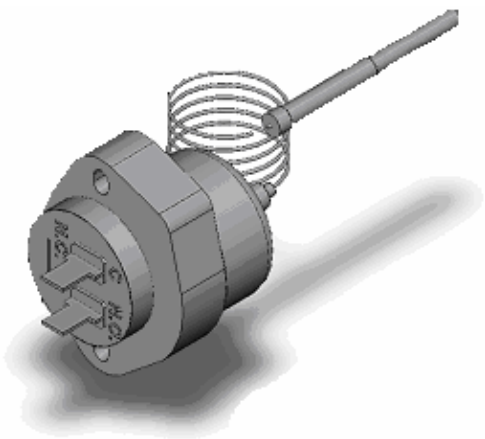
- A. If no voltage – check wiring for short or break and check thermostat
- B. If you have 120V – replace indicator light.

⚠ WARNING Disconnect the electrical power and follow lockout / tagout procedures

INDICATOR LIGHT REMOVAL

1. Remove the control panel
2. Label and disconnect wires to the light
3. Squeeze the light retainers and slide the light out through the front of the control panel
4. Reverse the procedures to install and check for proper operation

FLAME SWITCH

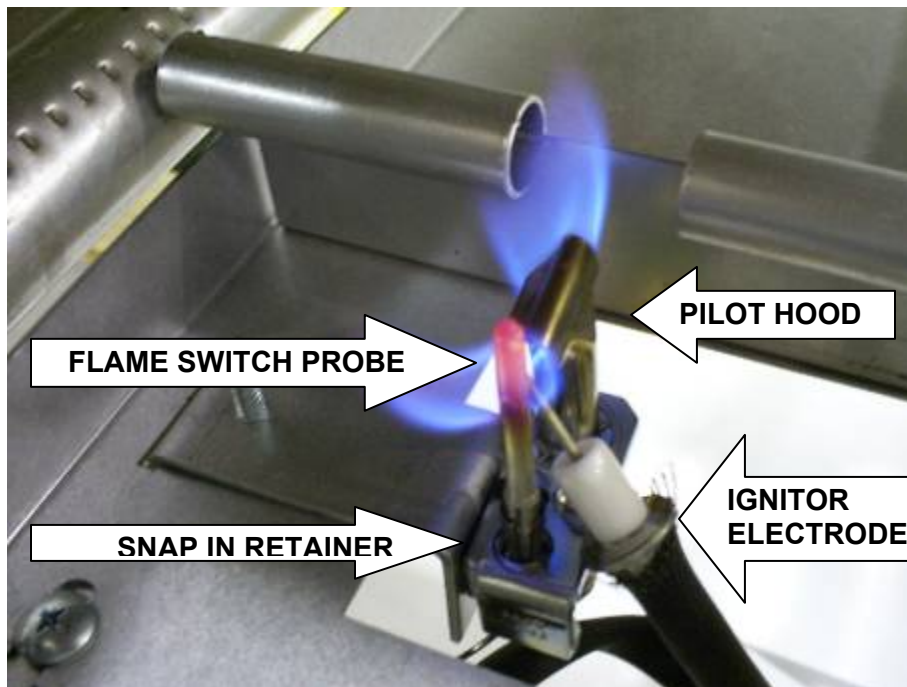


The flame switch is a normally open sensor. When immersed in an active pilot flame, it will close electrical contacts to complete the circuit that allows its corresponding valve(s) to operate.

If the pilots go out – the contacts on the switch will open and shutdown power to the indicator lights and corresponding valves.

On a cold start, it may take 2 or 3 minutes for the flame switch to heat up and allow the indicator lights and solenoid valves to come on.

One flame switch may control one or two indicator lights, thermostats and corresponding burner solenoid valves.



EXAMPLE OF FLAME SWITCH PROBE THAT IS PROPERLY ENGULFED IN THE PILOT FLAME

⚠ WARNING Disconnect the electrical power and follow lockout / tagout procedures

FLAME SWITCH TROUBLESHOOTING

SYMPTOM – INDICATOR LIGHTS, THERMOSTATS AND BURNER VALVES NOT WORKING

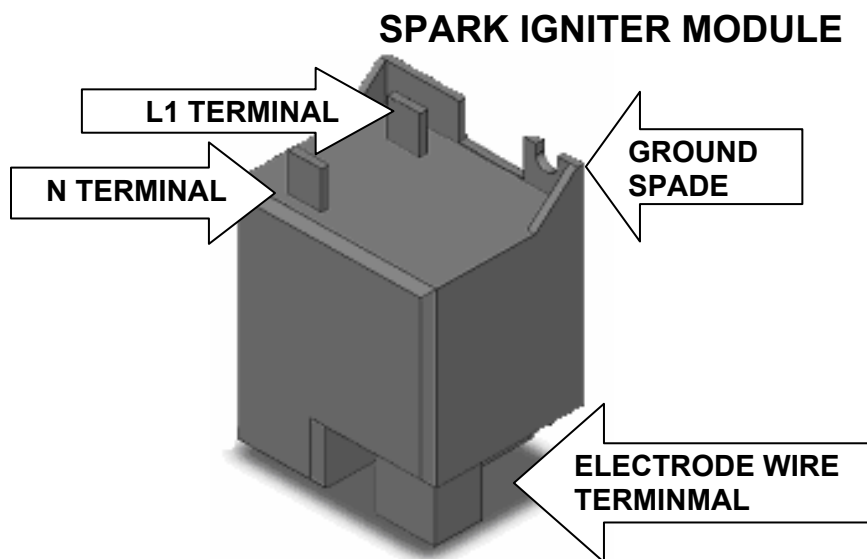
1. Check for loose or excessively greasy/dirty terminal connections
2. Check that flame switch probe is fully engulfed in the pilot flame and glowing cherry red.
 - A. If sensor is not glowing red and/or not engulfed in pilot flame
 1. Check gas pressure and adjust pilot flame for proper impingement; clean pilot if necessary
 2. Check that sensor has not fallen out of the snap in retainer
3. Check that there is 120 voltage from the “NO” terminal to ground with the power switch on.
 - A. If no voltage – check wiring for shorts
4. Check for 120 voltage from “C” terminal to ground with sensor glowing red
 - A. If no voltage and steps 1 -3 were completed, replace flame switch

HELPFUL HINT – A quick way to check for a flame switch problem is to take a jumper line and connect the two terminals on the switch – if the corresponding thermostats, indicator lights and solenoid valves all begin to immediately function, then you know there is a problem in that area. Never leave the unit to run with a jumped flame switch after making the check.

FLAME SWITCH REMOVAL

1. Remove the control panel.
2. Label and disconnect the wires to the flame switch.
3. Remove the two screws securing the switch to the control bracket.
4. Reach under the unit and pull the flame switch sensor straight down and out of the snap in retainer.
5. Pull the flame switch out the front of the unit while guiding the sensor wire out through the corresponding whole in the chassis.
6. Reverse the procedure to install. Be sure to carefully route and attach the sensor to the pilot assembly and check for proper operation.

HELPFUL HINT – If the unit is attached to a flexible gas line, the bullet feet can be adjusted out to their fullest extension to raise the griddle and allow more clearance to reach under the unit. Remember to relevel the unit if you chose to do this.



The spark igniter module is a single point gas re-igniter that incorporates a flame rectification sense circuit. If there is an absence of pilot flame, the igniter will begin to spark.

⚠ WARNING Disconnect the electrical power and follow lockout / tagout procedures

SPARK IGNITOR TROUBLESHOOTING

SYMPTOM – NO SPARK BETWEEN PILOT HEAD AND ELECTRODE

1. Check for loose or greasy/dirty connections at all terminals (including electrode wire)
2. Check for 120 voltage from L1 terminal to ground
 - a. If no voltage check on/off switch and wiring for shorts or breaks
3. Check that ground spade is securely attached to mounting bracket.
4. Check electrode wire for damage and continuity – if damaged or no continuity change spark/pilot assembly
 - a. Check spark gap between electrode and pilot head. The spark gap should be between .098” to 0.157” – or approx. 1/8”.
5. If component has passed above checks and is not sparking – then replace igniter module.

SYMPTOM – ELECTRODE CONTINUALLY SPARKS AFTER PILOT IS LIT

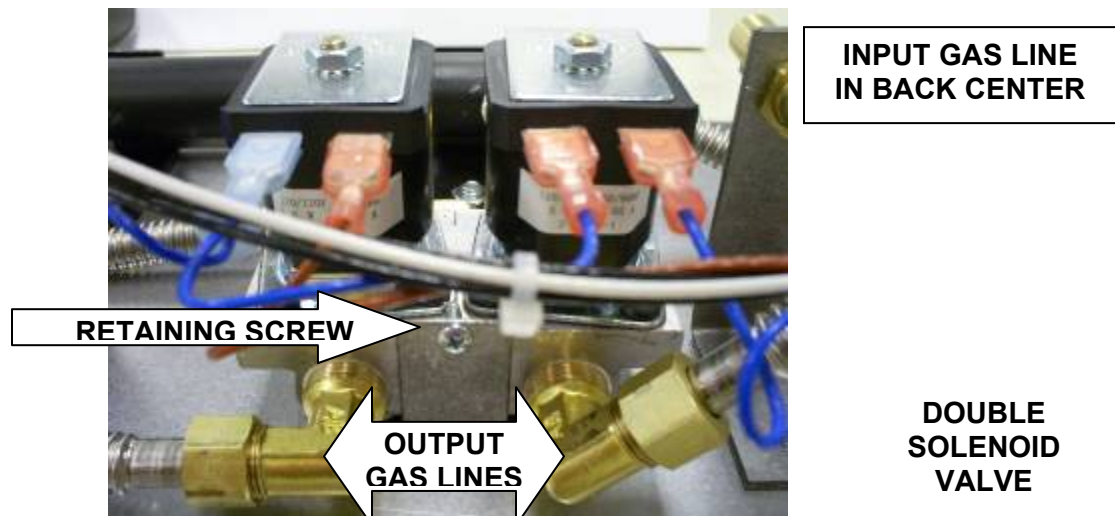
1. Check that electrode is engulfed by pilot flame
2. Increase pilot flame height
3. Check electrode and electrode wire for damage
4. Check that power cord grounding wire is securely attached to “J” box.
5. If component passes checks 1 -4, then replace igniter module

SPARK IGNITOR REMOVAL

1. Remove the control panel.
2. Label and disconnect the wires from the igniter module.
3. Disconnect the electrode wire from the bottom of the igniter module
4. Remove the bottom mounting screw and the screw at the ground spade.
5. Remove the igniter module from the bracket.
6. Reverse the procedure to install and check for proper operation.

SOLENOID VALVES

The 900RE and AGE series griddles use both single and dual solenoid valves in differing applications. A single or dual valve can be either a pilot valve or main burner valve. Pilot valves can be identified by the fact that they will have adjustment screws for the pilot flame at the output of the valve body. Pilot solenoid valves will receive power and remain on as long as the power switch is in the ON position. Main burner solenoid valves will remain on until the thermostat set point has been satisfied.



⚠ WARNING Disconnect the electrical power and follow lockout / tagout procedures

SOLENOID VALVE TROUBLESHOOTING

SYMPTOM – NO GAS FLOW TO BURNER

1. Check terminals for loose or greasy/dirty connections
2. Check gas pressure – check for orifice obstructions.
3. With thermostat, indicator light and power switch on – check for 120 voltage between the two terminals on the solenoid.
 - A. On pilot solenoid if no voltage – check wiring and on/off power switch
 - B. On main burner solenoid if no voltage – check wiring and thermostat
4. If you have 120 voltage between the two terminals after performing steps 1- 3, replace the solenoid valve.
5. Check for a shorted coil by checking resistance between the two terminals with the wires disconnected. Readings of 100 ohms or less would indicate a shorted coil, replace the solenoid.

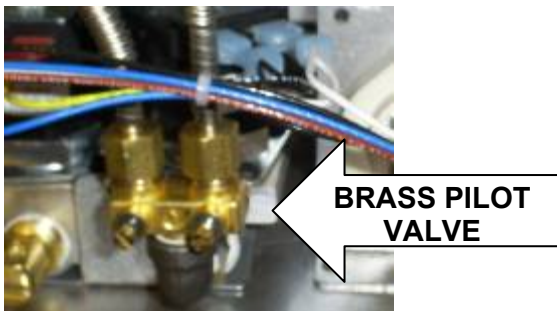
SOLENOID VALVE REMOVAL

⚠ WARNING Shut off gas supply

1. Remove the control panel.
2. Label and disconnect the wires to the solenoid terminals.
3. Remove the two retaining screws that are holding the valve body in the bracket.
4. Disconnect the input compression fitting and the output compression fitting(s).
5. Remove the solenoid valve
6. Reverse the procedure to install. Be careful to attach the input lines to the ports on the valve body that are stamped “IN”
7. Verify gas pressure and check for proper operation.

⚠ WARNING All gas joints disturbed during servicing must be checked for leaks. Check with a soap and water solution. Do not use an open flame.

PILOT



The 900RE and AGE Griddles utilize a solenoid valve with a brass pilot valve to control gas flow to pilot burners. One to three pilot flames can be fed by one valve – one leg of which may be branched.

PILOT TROUBLESHOOTING

SYMPTOM – PILOT WILL NOT LIGHT

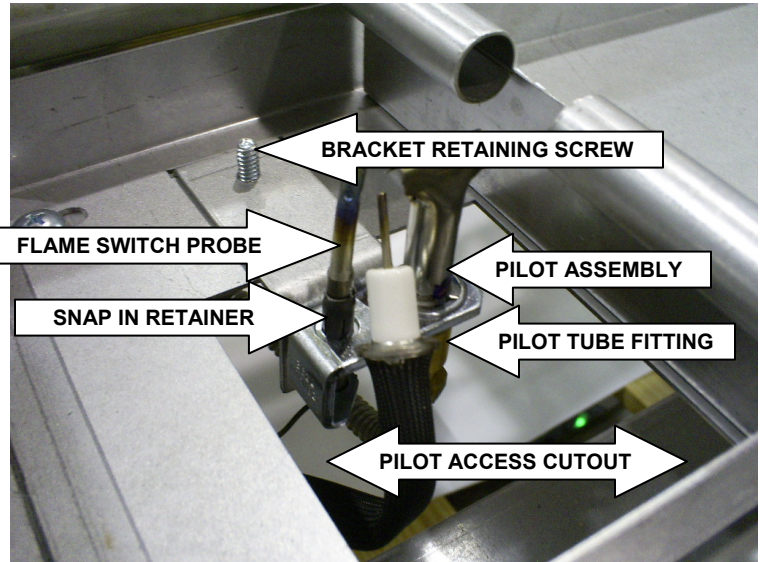
1. Check pilot adjustment at solenoid valve
2. Check that power switch is on
3. Check that pilot solenoid valve is working
4. Check that igniter is working
5. Check gas pressure
6. Check for air in the line

PILOT ASSEMBLY REMOVAL

⚠ WARNING Disconnect the electrical power and follow lockout / tagout procedures

⚠ WARNING Shut off gas supply

1. Remove control panel and heat shield
2. Reaching underneath the front of the unit, remove the pilot tube fitting and disengage the pilot tube from the pilot.
3. Pull the flame switch probe straight down and out from the snap in retainer
4. Reaching underneath the front of the unit, remove the pilot bracket retaining screw(#2 Phillips) and remove the entire assembly out through the pilot access cutout and out from under the unit.
5. Disconnect the electrode wire from the from the bottom terminal of the spark igniter module.
6. Remove the pilot from the bracket.
7. Reverse procedure to install
8. Verify gas pressure and check for proper operation



⚠ WARNING All gas joints disturbed during servicing must be checked for leaks. Check with a soap and water solution. Do not use an open flame.

HELPFUL HINT – If the unit is attached to a flexible gas line, you can extend the bullet feet out to their fullest extension to raise the griddle and allow yourself more clearance while reaching under the unit. Remember to relevel the unit if you chose to do this.

BURNER



The 900RE and AGE utilize “U”-shaped burner with a single center inlet for every 12 inches of griddle width. Each burner is rated for 30,000 BTU/hr.

⚠ WARNING Disconnect the electrical power and follow lockout / tagout procedures

BURNER TROUBLESHOOTING

SYMPTOM – ALL BURNERS HAVE A LOWER OR HIGHER FLAME THAN NORMAL.

1. Check gas pressure

SYMPTOM – ONE OR MORE BURNERS HAVE LOWER FLAME LEVEL THAN THE OTHERS.

1. Check gas pressure
2. Check burner orifice for obstructions
3. Adjust burner air shutter
4. Check solenoid valve

SYMPTOM – ONE BURNER HAS A DELAYED IGNITION; A SEVERAL SECOND LAPSE BETWEEN THE INDICATOR LIGHT TURNING ON AND WHEN THE BURNER ACTUALLY LIGHTS.

1. Check gas pressure
2. Check that burner locator pin is properly seated with retaining clip attached
3. Check that burner ignition ports, pilot flash tube and pilot burner are all aligned.
4. Check burner shutter adjustment
5. Check pilot flame adjustment
6. Check thermostat and solenoid valve operation.

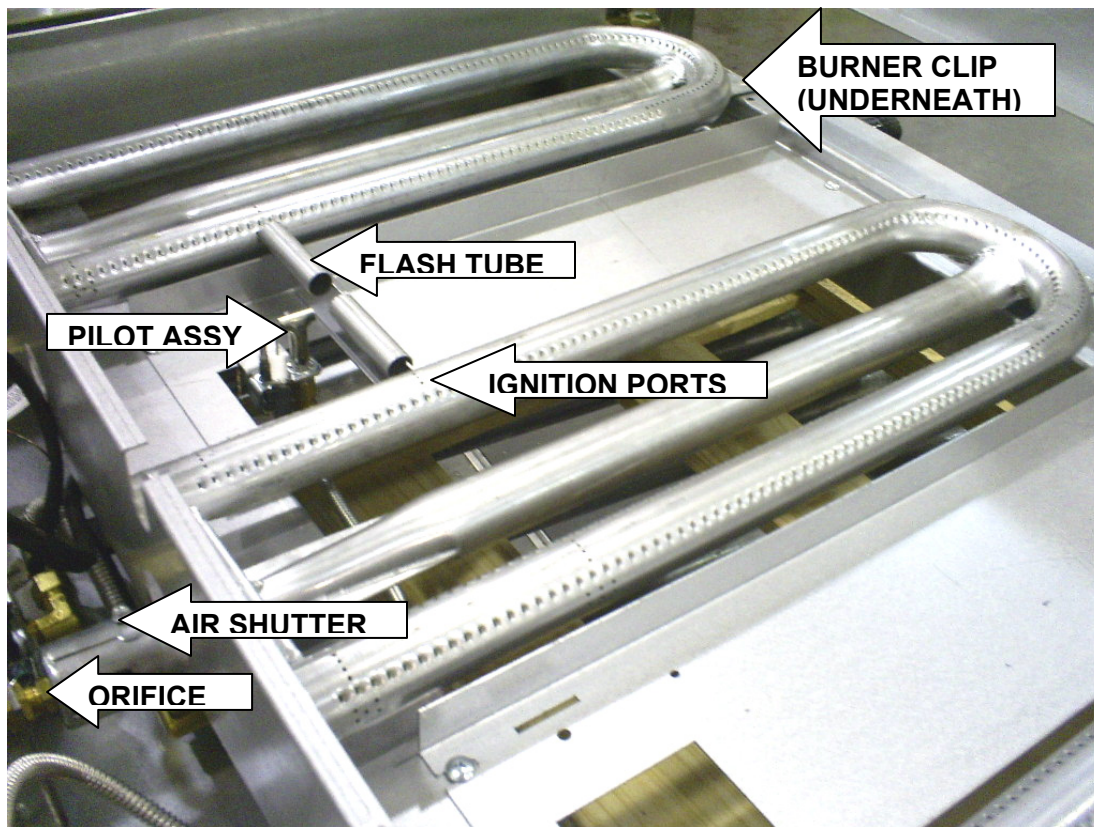
BURNER REMOVAL

⚠ WARNING Shut off gas supply

1. Remove the back panel
2. Reach through the back of the unit. Squeeze the burner retaining clip and slide off burner retaining pin.
3. Lift the burner up so the retaining pin clears the corresponding hole in the chassis, then pull the burner out through the back of the unit.
4. Replace by inserting the burner through the rear of the unit and engaging the burner venturi onto the burner orifice at the front of the unit.
5. Seat the retaining pin in the hole in the chassis and attach the retaining clip.
6. Remove the control panel to check that the venturi is properly fitted over the orifice.
7. Reassemble the control and back panels, then check for proper operation.

BURNER ADJUSTMENT

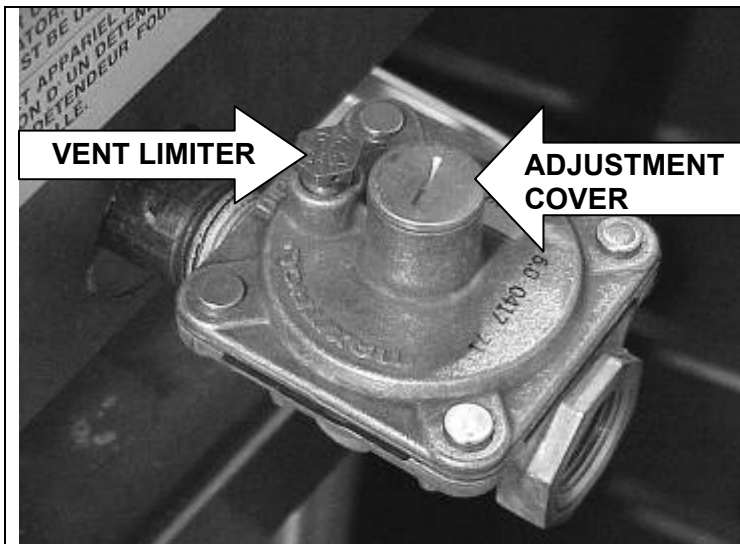
For efficient burner operation, it is important that a proper balance of gas volume and primary air supply is maintained to give complete combustion. Insufficient air supply results in a yellow streaming flame. Primary air supply is controlled by the air shutter on the front of the burner venturi. Loosen the screw on the venturi and adjust the air shutter to just eliminate yellow tips on the burner flames. Lock the air shutter in place in place by tightening the screw. Repeat this procedure as necessary with all burners.



MAIN BURNERS

These photos are for reference – it should not be necessary to remove the griddle top to perform the procedures listed in this manual.

GAS REGULATOR



REGULATOR INSTALLED IN A HORIZONTAL, UPRIGHT POSITION

The 900RE and AGE series units must have an exterior machine gas regulator installed. The units are shipped with a regulator that has a vent limiter. These regulators must be installed as close as possible to the unit in a horizontal, upright position for optimal performance. They are adjusted by removing the adjustment cover – then by turning the adjustment screw to the right to increase and to the left to decrease. The regulator and griddle can be damaged by gas pressures that exceed 14" W.C. or ½ psig.

REGULATOR TROUBLESHOOTING

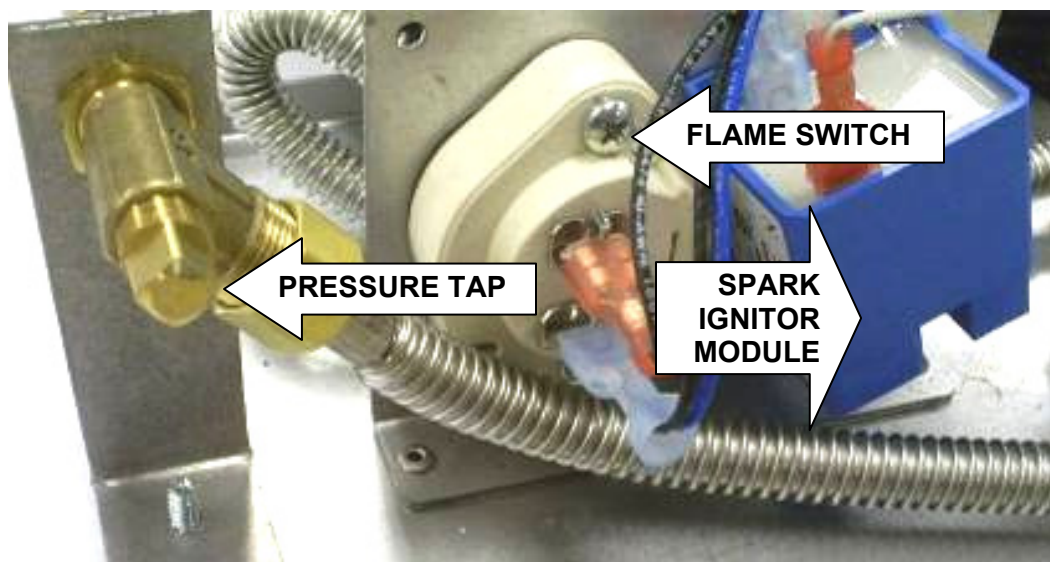
SYMPTOM – UNIT WILL NOT MAINTAIN CONSISTENT PRESSURE

1. Check that vent limiter is not clogged by grease and debris
2. Check store gas pressure before regulator with all equipment on that line turned on and consuming gas
 - A. For natural gas should be between 7" and 14" W.C.
 - B. For propane gas should be between 12" and 14" W.C.
3. Check that regulator is installed in a horizontal, upright position
4. If no problems found in steps 1 – 3, replace the regulator

GAS PRESSURE MEASUREMENT

1. Set the power on/off switch to the OFF position.
2. Turn the gas supply off at a manual shutoff valve.
3. Remove the control panel.
4. Remove the pressure tap plug from the far left/#1 burner port and attach manometer
5. Turn gas back on and turn power switch to the ON position
6. Turn all thermostats on to the maximum setting so that all burners are on.
7. Turn all the equipment on the same supply line on.
8. Check gas pressure
9. Gas pressure should read 5" W.C. for natural and 10" W.C. for propane gas.
10. Turn off the power switch.
11. Turn gas supply off, disconnect manometer and reinstall pressure tap plug.
12. Turn power switch and gas supply back on.

⚠ WARNING All gas joints disturbed during servicing must be checked for leaks. Check with a soap and water solution. Do not use an open flame.



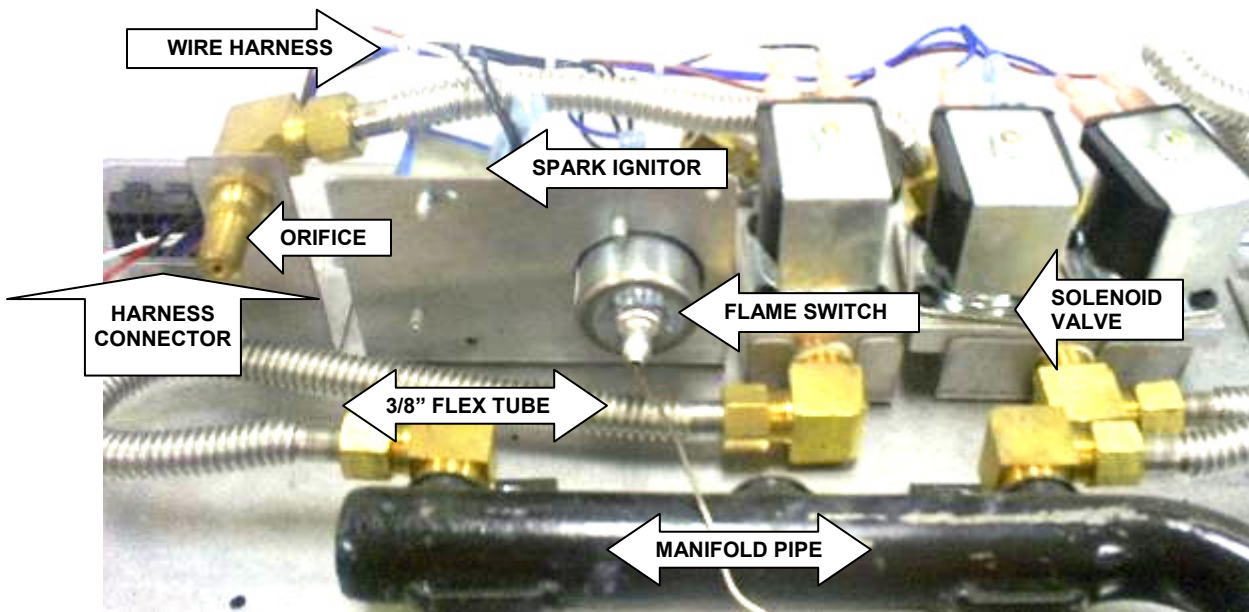
PRESSURE TAP AT #1 BURNER

SEQUENCE OF OPERATION

Operation is the same for all size griddles. The neutral wire from the power source is directly connected to a terminal on each thermostat, the N terminal on each ignition module and one terminal on the pilot solenoid.

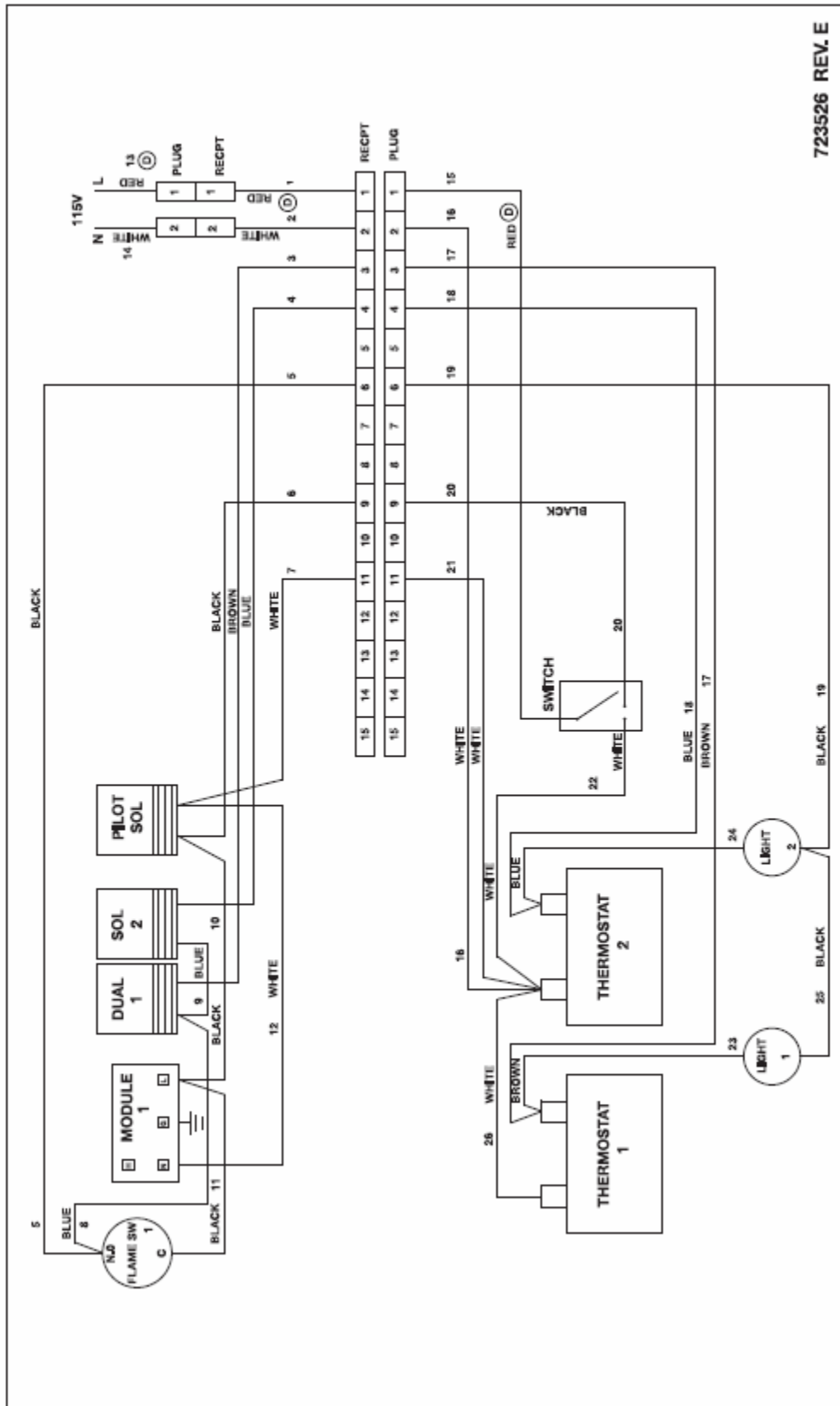
1. The power on/off switch is set to the ON position.
2. Voltage is applied to the following terminals
 - A. Terminal L1 on each igniter module – turning the module on
 - B. The NO terminal of each flame switch
 - C. The remaining terminal on the pilot solenoid – energizing the solenoid
3. The igniter electrode sparks against the pilot head and lights pilot burner
4. When the pilot flame is sensed – the igniter stops sparking
5. Pilot burner heats up flame switch sensor
6. When flame switch is sufficiently heated (cherry red) – the switch closes and supplies voltage to one terminal on each burner solenoid and one terminal on each indicator light
7. When a thermostat is rotated out of the OFF position – the neutral return is connected to the other side of the indicator light and the other terminal(s) on the other side of the burner solenoid(s)
8. The indicator light illuminates
9. Gas flows to the main burners and is ignited by the pilot flame.

FROM THE INSIDE OUT



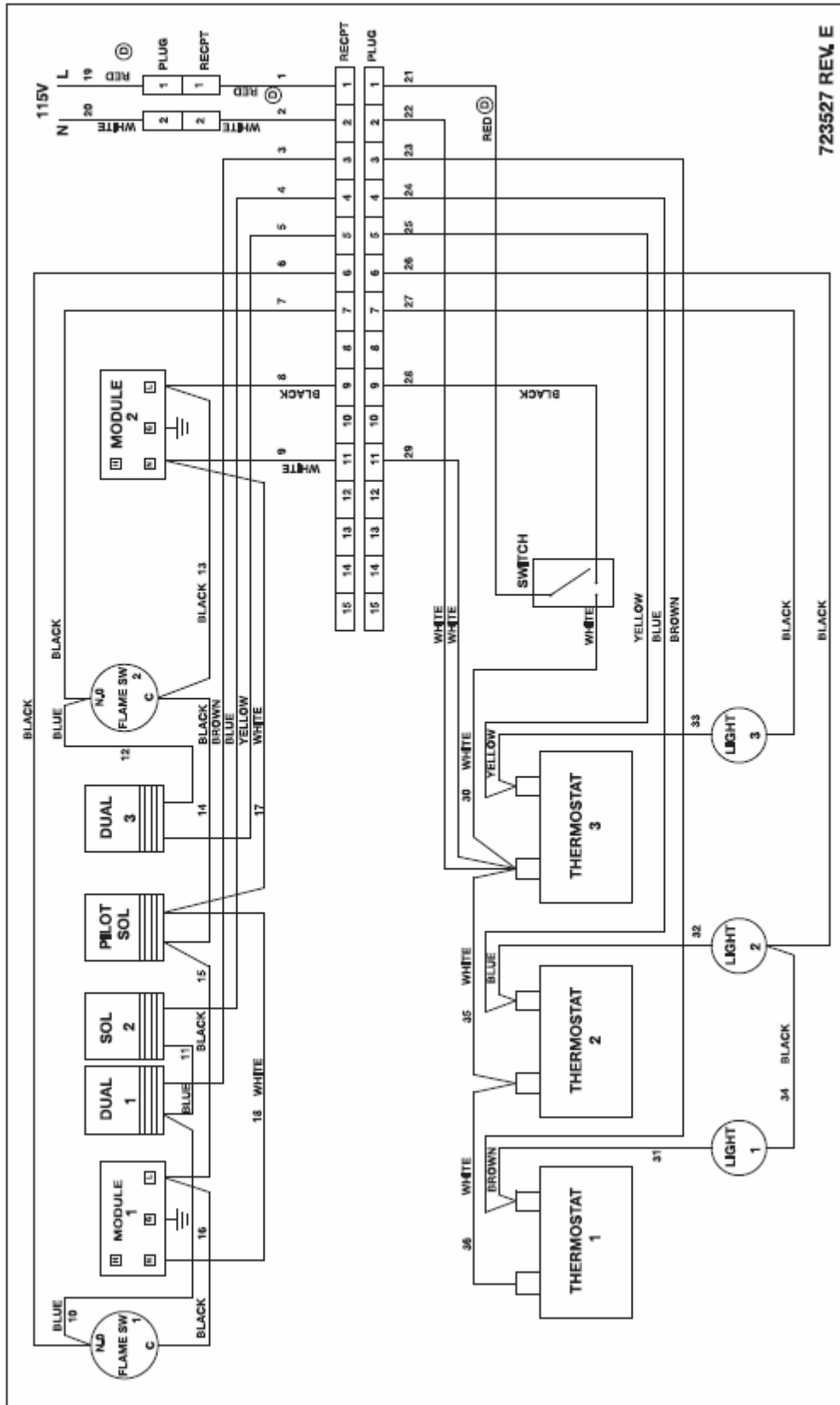
WIRING DIAGRAMS

WIRING DIAGRAM – 24-INCH GRIDDLE



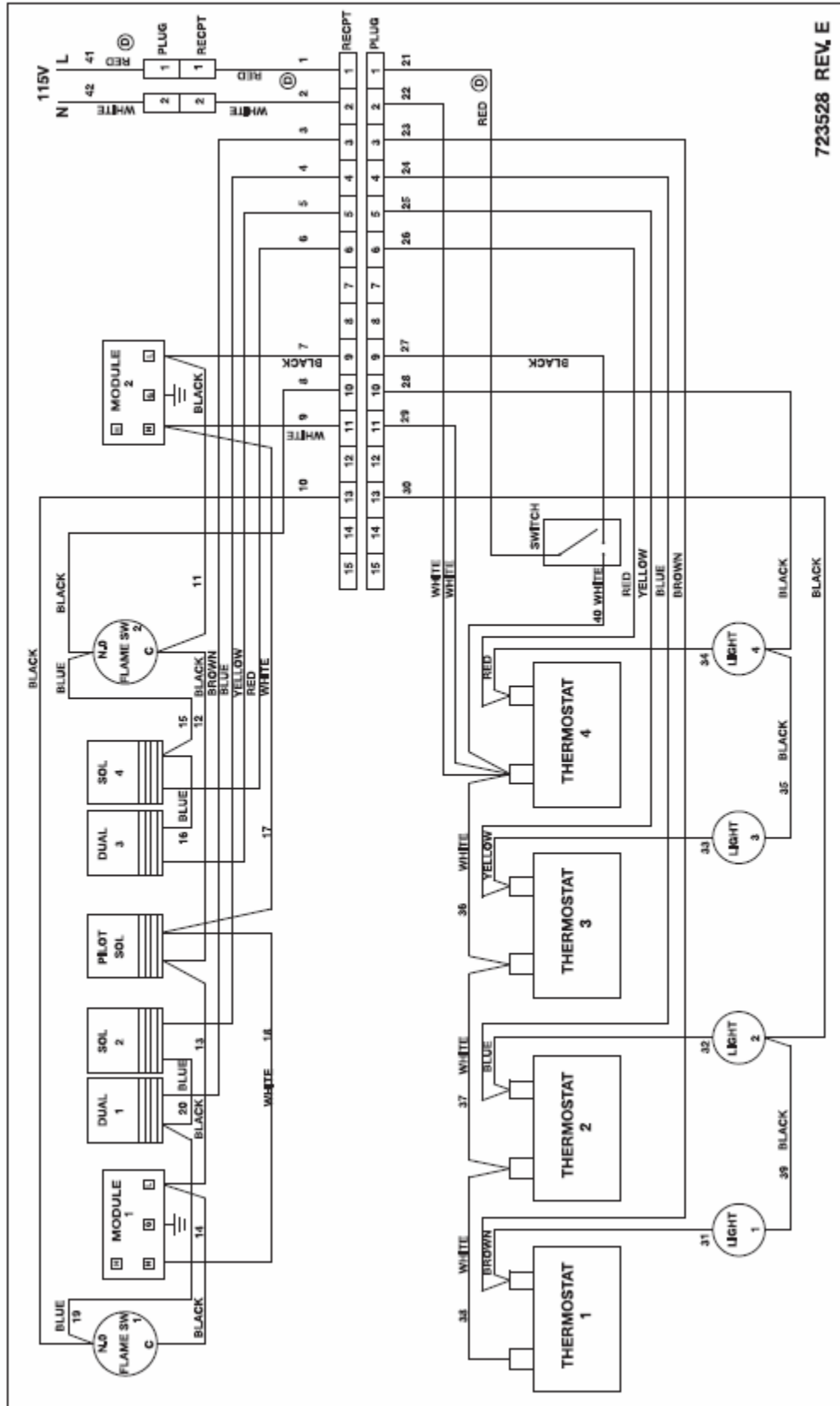
723526 REV. E

WIRING DIAGRAM – 36-INCH GRIDDLE



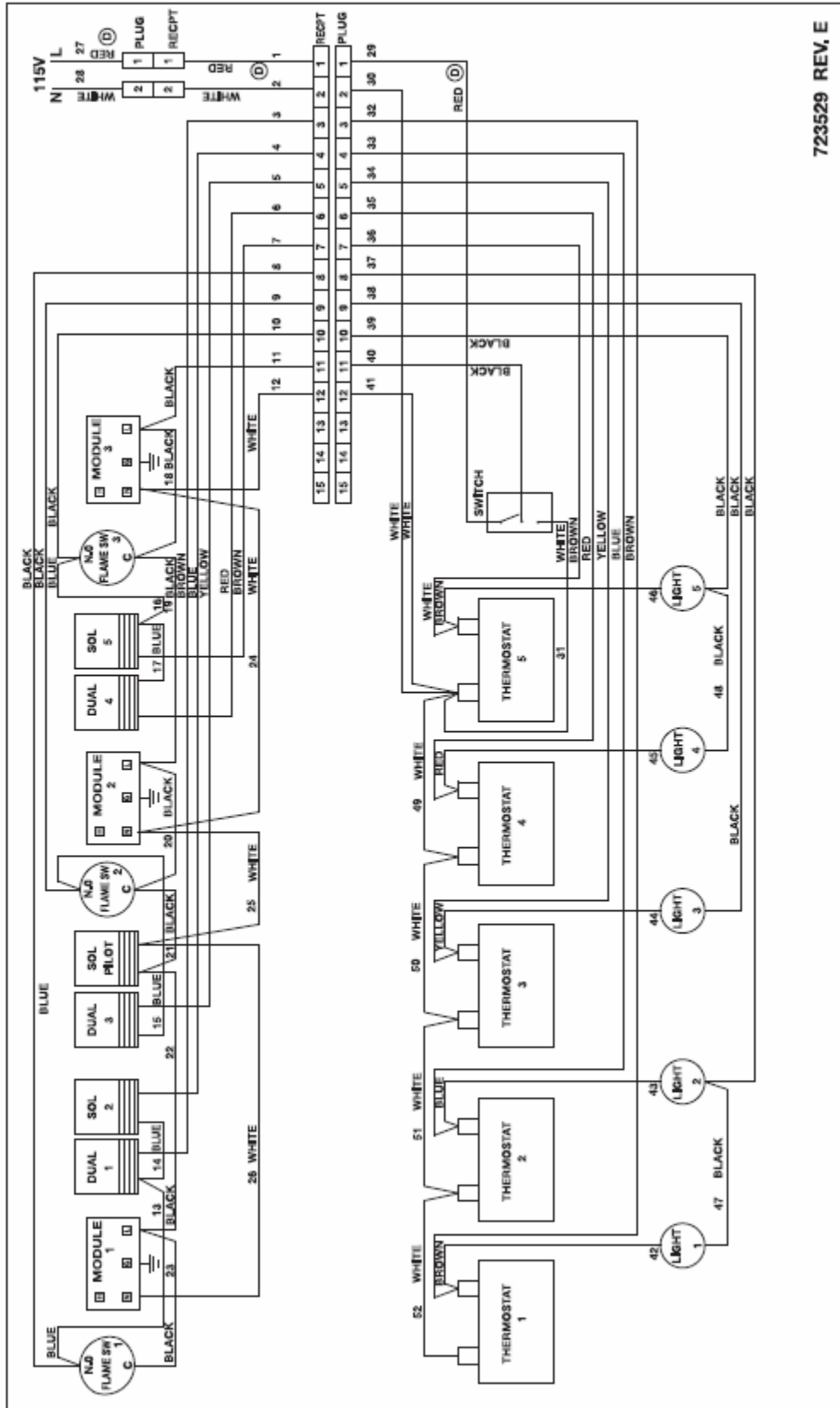
723527 REV E

WIRING DIAGRAM – 48-INCH GRIDDLE



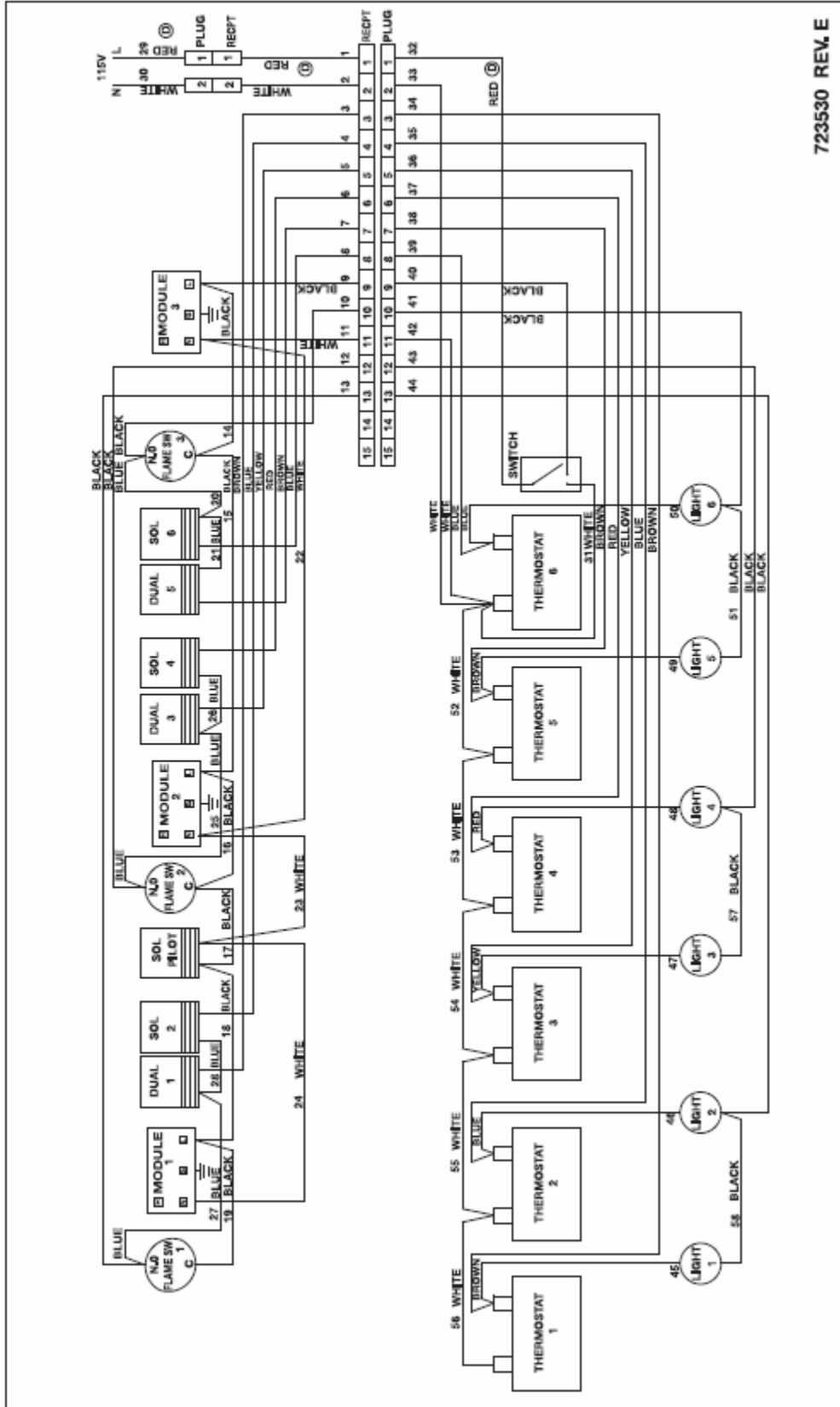
723528 REV. E

WIRING DIAGRAM – 60-INCH GRIDDLE



723529 REV. E

WIRING DIAGRAM – 72-INCH GRIDDLE



723530 REV. E

Free Manuals Download Website

<http://myh66.com>

<http://usermanuals.us>

<http://www.somanuals.com>

<http://www.4manuals.cc>

<http://www.manual-lib.com>

<http://www.404manual.com>

<http://www.luxmanual.com>

<http://aubethermostatmanual.com>

Golf course search by state

<http://golfingnear.com>

Email search by domain

<http://emailbydomain.com>

Auto manuals search

<http://auto.somanuals.com>

TV manuals search

<http://tv.somanuals.com>