

*Sunbeam*

# Pro Glide® Plus 8700 Advanced Steam Generator

Instruction Booklet  
SR8700

Please read these instructions carefully  
and retain for future reference.



# Contents

<b>Sunbeam's Safety Precautions</b>	<b>3</b>
<b>Features of your Pro Glide®</b>	
<b>Plus 8700 Steam Generator</b>	<b>4</b>
<b>Using your Pro Glide® Plus 8700</b>	
<b>Steam Generator</b>	<b>7</b>
<b>Care and Cleaning of your Pro Glide®</b>	
<b>Plus 8700 Steam Generator</b>	<b>11</b>
<b>Trouble Shooting Guide</b>	<b>14</b>
<b>Ironing Tips &amp; Tricks</b>	<b>15</b>
<b>Ironing Chart</b>	<b>16</b>

## Important instructions – retain for future use.

تأكد من تفهيم احتياطات السلامة المذكورة اعلاه

請務必理解上述的安全預防措施。

Assurez-vous que les précautions ci-dessus relatives à la sécurité sont bien comprises

Versichern Sie sich, dass die obenstehenden Sicherheitsmaßnahmen Verstanden werden

Βεβαιώσετε πως οι παραπάνω προφυλάξεις ασφαλείας γίνονται κατανοητές

Pastikan bahwa tindakan-tindakan keselamatan seperti di atas dimengerti anda

Accertatevi che le suddette norme di sicurezza siano comprese a dovere

上記の注意事項をよくお読みになり、安全を御確認ください

Уверете се дека погоре споменатите мерки на претпазливост се добро разбрани

Asegúrese de que las precauciones de seguridad precedentes sean bien comprendidas

کاری یکنید که احتیاط‌های بالا حتماً درک بشوند

ต้องแน่ใจว่า ข้อควรระวังเรื่องความปลอดภัยข้างต้น เป็นที่เข้าใจกันดี

Yukarda belirtilen güvenlik önlemlerinin anlaşıldığından emin olunuz

Xin kiểm chắc rằng những biện pháp làm an toàn kể trên được hiểu rõ

# Sunbeam's Safety Precautions

## SAFETY PRECAUTIONS FOR YOUR IRON

- Do not leave a hot iron within reach of children. If they come into contact with a hot iron it could lead to serious burns.
- Iron only on an ironing board. Do not place the steam generator on carpet during use.
- The steam generator must not be stored whilst it is connected to the supply. The electronic switch provided is for functional use only during operation, and is not intended to provide disconnection from the supply. Before storing the iron after use, it must be unplugged from the supply.
- The steam generator takes approximately 2 hours to completely cool down. Allow the steam generator to cool completely before storing.
- Do not wind the cord around the soleplate while the iron is still hot.
- Do not leave the steam generator unattended while it is plugged into the power outlet.
- The steam generator must be used and rested on a stable surface. When placing the steam generator on a stand, ensure that the surface on which the stand is placed is stable.
- The steam generator is not to be used if it has been dropped, if there are visible signs of damage or if it is leaking.
- This steam generator features an "auto-off" function, which is an additional safety feature designed to disconnect power to the heating element if the steam generator has not been used for a certain period of time.

**Sunbeam is very safety conscious when designing and manufacturing consumer products, but it is essential that the product user also exercise care when using an electrical appliance. Listed below are precautions which are essential for the safe use of an electrical appliance:**

- Read carefully and save all the instructions provided with an appliance.
- Always turn the power off at the power outlet before you insert or remove a plug. Remove by grasping the plug - do not pull on the cord.
- Turn the power off and remove the plug when the appliance is not in use and before cleaning.
- Do not use your appliance with an extension cord unless this cord has been checked and tested by a qualified technician or service person.
- Always use your appliance from a power outlet of the voltage (A.C. only) marked on the appliance.
- This appliance is not intended for use by persons (including children) with reduced physical, sensory or mental capabilities, or lack of experience and knowledge, unless they have been given supervision or instruction concerning use of the appliance by a person responsible for their safety.
- Children should be supervised to ensure that they do not play with the appliance.
- The temperature of accessible surfaces may be high when the appliance is operating.
- Never leave an appliance unattended while in use.
- Do not use an appliance for any purpose other than its intended use.
- Do not place an appliance on or near a hot gas flame, electric element or on a heated oven.
- Do not place on top of any other appliance.
- Do not let the power cord of an appliance hang over the edge of a table or bench top or touch any hot surface.
- Do not operate any electrical appliance with a damaged cord or after the appliance has been damaged in any manner. If damage is suspected, return the appliance to the nearest Sunbeam Appointed Service Centre for examination, repair or adjustment.
- For additional protection, Sunbeam recommend the use of a residual current device (RCD) with a tripping current not exceeding 30mA in the electrical circuit supplying power to your appliances.
- Do not immerse the appliance in water or any other liquid unless recommended.
- Appliances are not intended to be operated by means of an external timer or separate remote control system.
- This appliance is intended to be used in household and similar applications such as: staff kitchen areas in shops, offices and other working environments; farm houses; by clients in hotels, motels and other residential type environments; bed and breakfast type environments.

If you have any concerns regarding the performance and use of your appliance, please visit [www.sunbeam.com.au](http://www.sunbeam.com.au) or contact the Sunbeam Consumer Service Line.

**Ensure the above safety precautions are understood.**

Download from [Www.Somanuals.com](http://Www.Somanuals.com). All Manuals Search And Download.

# Features of your Pro Glide® Plus 8700 Steam Generator

## Constant Steam Button

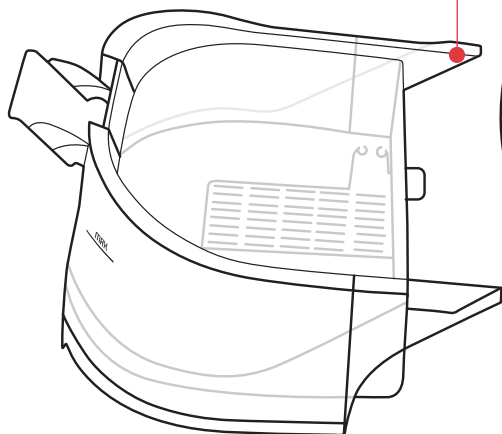
When ironing for long periods the constant steam button can be activated to produce continuous steam eliminating the need to hold the trigger down during ironing.

## Iron rest

Place the iron on the heat resistant iron rest between garments.

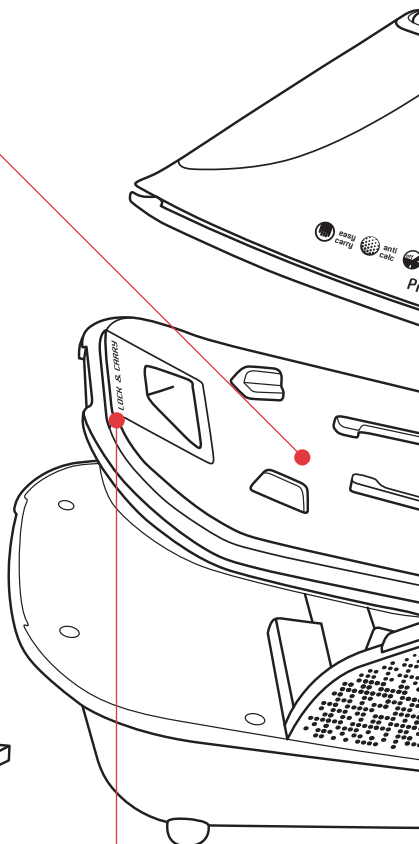
## Refillable water tank cover

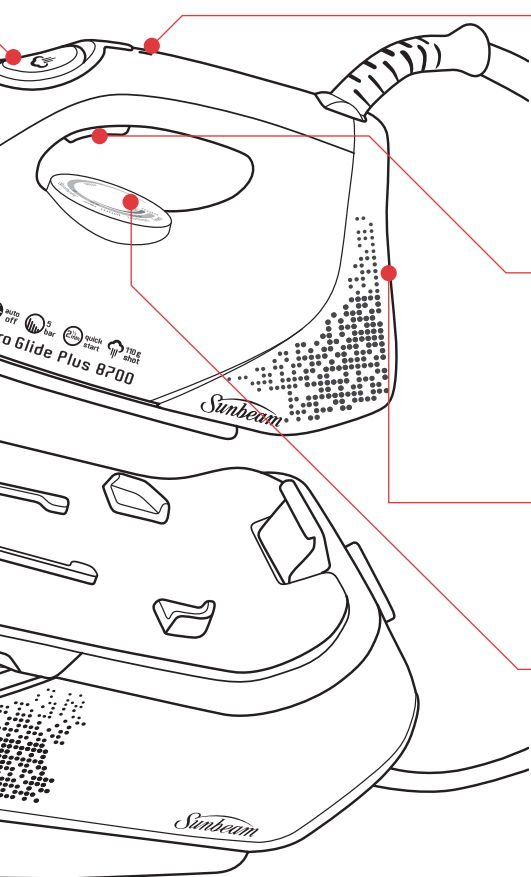
The removable 1400ml capacity tank has a large filling hold to make it easier to refill during ironing. The tank is tap water safe and contains an anti-calc crystal bag which helps reduce mineral build up.



## Lock & Carry

The iron can be locked into the steam generator base when it is not being used. This also enables the steam generator to be transported easily.





#### **Thermostat light**

The thermostat light illuminates to indicate that the iron sole plate is heating, and goes out when it has reached the temperature selected on the temperature dial. The thermostat light cycles on and off during ironing as the iron sole plate maintains the selected temperature.

#### **Steam Trigger**

Press and hold the steam release trigger to produce a constant stream of high-powered steam to reduce your ironing time and effort. Steam will not be emitted from the iron when the steam release trigger is not depressed.

#### **Lock & Carry Release**

When the iron is locked into the steam generator base the release lever on the base of the iron can be depressed to release the iron.

#### **Variable temperature dial**

The variable temperature dial adjusts the temperature of the iron sole plate, allowing you to select the desired temperature for each garment.

## Features of your Pro Glide® Plus 8700 Steam Generator continued

### Power On Button

The power on button will be illuminated WHITE when the unit is turned on.

### Calc Clean Indicator

The Calc Clean indicator illuminates WHITE when it is time to flush the boiler.

### Steam Ready Indicator

The steam ready indicator illuminates GREEN when the steam can be activated.

### Calc Clean Boiler Cap

The calc clean indicator on the control panel illuminates when it is time to flush the boiler. The calc clean boiler cap allows you to flush the boiler. Turn the calc clean boiler cap anti clock wise to remove it. Follow the instructions on pages 11-12 to decalcify the boiler.

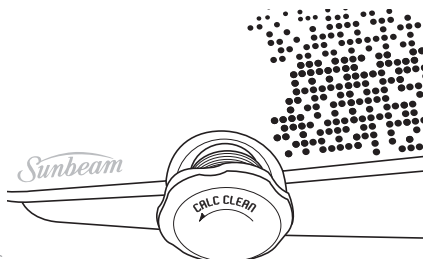
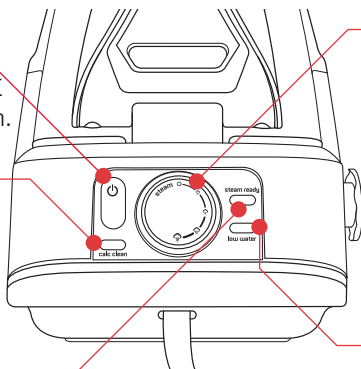
**Note:** The steam generator must be completely cooled before the calc clean boiler cap is removed. Wait 2 hours after use for the appliance to cool down.

### Steam Rate Dial

The steam rate can be selected by turning the steam rate dial to the preferred level of steam. Once selected the steam ready indicator changes from red to green when the level has been reached.

### Low Water Indicator

The low water indicator illuminates RED when it is time to refill the water tank.



# Using your Pro Glide® Plus 8700 Steam Generator

## **Before first use**

Remove any adhesive stickers, plastic covers or cardboard sleeves from the soleplate. Ensure that all adhesive is removed by rubbing the soleplate with a cloth dampened with methylated spirits. Fill the water tank and empty the water. This will rinse out any foreign particles remaining in the water tank from the manufacturing process.

**NOTE:** When turned on for the first time, your new iron may give off vapours for up to 10 minutes. This is due to the initial heating of the materials used. It is safe, not detrimental to the performance of the iron, and will not reoccur.

**NOTE:** Ensure the steam generator is always used and rested on a stable surface. Do not move or shake the base unit during use.

**NOTE:** Sunbeam recommend using the SR8700 steam generator with the SB8300 Couture Ironing board which has a metal tray underneath the board specifically designed for steam generators. This is available from selected retailers.

## **Filling the steam generator tank with water**

The tank can be removed and refilled from the tap or using a jug through the water inlet. Do not exceed the maximum water level indicator. Ensure the water inlet is closed and the water tank is firmly in position.

**NOTE:** The boiler will not activate until the water tank is in the correct position. If the low water indicator remains illuminated when the tank has been replaced, slide the tank out and firmly reinsert to ensure it is in the correct position.

**NOTE:** The non-corrosive stainless steel boiler has been designed to allow you to use tap water in your professional ironing system. However in very hard water areas, Sunbeam recommends the use of distilled water, or water which has been demineralised.

For best performance, we recommend the use of Sunbeam Water Demineraliser or Sunbeam Demineralised Water available from selected retailers.

Do not fill the iron with fabric conditioner, starches or any other solution as these will damage the steam mechanism. Do not use contaminated water.

### Using your iron

1. Insert the plug into a 230/240 volt power outlet and turn the power on.
2. Select the power button to turn the unit on. The Power On icon illuminates WHITE as shown in Fig 1, and the unit beeps once. The boiler and soleplate will begin heating and the Steam Ready light illuminates RED.

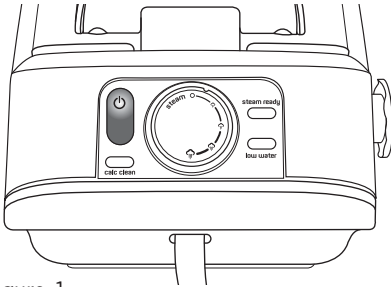


Figure 1

3. Turn the temperature dial on the iron to the desired setting (set the temperature to Silk or above when using steam). The thermostat light (as shown in Fig 2) will illuminate AMBER to indicate that the iron is heating. It will go out once the iron has reached the selected temperature.

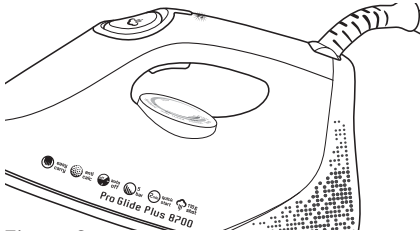


Figure 2

**NOTE:** When changing the temperature dial from a higher setting to a lower setting, ensure the iron temperature is

stable at the new setting by allowing the thermostat to cycle once (the thermostat light will turn on / off once).

4. Select the desired steam level by turning the Steam Rate Dial to the desired setting (as shown in Fig 3).

**NOTE:** To prevent water dripping from the soleplate, only use the steam function when the temperature of the soleplate is set to Silk or above.

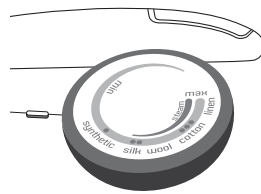


Figure 3

5. When the steam selection illuminates GREEN, the unit is ready to use.

**NOTE:** The Steam Ready light will illuminate GREEN when the steam can be activated, usually after 2 1/2 minutes. However, it may take a bit longer for the steam to be at maximum power depending on the volume of water in the boiler and the tank and the ambient temperature of the water. Before using the steam generator on a garment, direct a shot of steam into the air to release any remaining condensation.

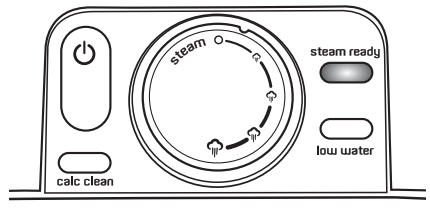


Figure 4



5. Press and hold the steam release trigger to iron with steam. Use the constant steam button for continuous steam when ironing tough garments. To dry iron, do not press the steam trigger button or turn the steam rate dial to 0.

**NOTE:** Both the steam ready indicator and the thermostat light will cycle on and off during ironing as the ironing system maintains the selected steam pressure and temperature levels. Once you have finished ironing, switch the iron and boiler off by pressing and the power button for. Switch the power off at the power outlet and remove the plug. Wait for the iron to cool completely before storing.

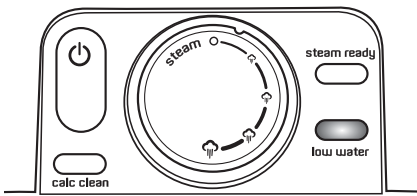
**Warning:** "Do NOT empty the boiler during use or at anytime when the steam generator is hot.

**Warning:** Never touch the soleplate at any time when it is hot.

**NOTE:** Ensure the steam generator is used and rested on a stable surface.

### Refilling the tank during ironing

When the water in the tank falls below the minimum level, the low water indicator will flash RED, as shown in fig 5, the steam generator beeps three times and the iron will stop generating steam. The water tank can be refilled at any



time during ironing but the boiler may take a few minutes to return to the correct temperature.

1. Using a jug slowly pour water into the water inlet until the maximum water level is reached. Do not exceed the maximum water level indicator.
2. Push the water inlet cover firmly to close.
3. The Steam Ready light may illuminate RED if the steam rate setting is changed.
5. Recommence ironing when the Steam Ready light illuminates GREEN.

### Safety Auto-Off

The safety auto-off mechanism automatically turns the ironing system off if you forget. The boiler will automatically shut off if any button, trigger or dial is not used for 15 minutes or more.

Should you leave the ironing system unattended a warning beep will sound to let you know that the auto-off function has been activated. After 30 seconds the power to the boiler will be cut, the soleplate will remain at the selected temperature and the Power light will continue to flash. In order to start using the iron again, any button or trigger can be pressed to reactivate the boiler. Allow the boiler to heat up until the steam ready light illuminates GREEN.

After 60 minutes of the any button, trigger or dial not being used, power to the iron's heating element will be cut and the iron will start to cool down. In order to start using the iron again any button, trigger or dial needs to be pressed to power back up the boiler and 9

the iron. Allow the iron to heat up until the thermostat light on the iron goes out and the steam ready light illuminates GREEN.

**NOTE:** The auto off is only activated after 15 minutes of the steam not being used.

**NOTE:** When you reactivate the iron after it has been in auto off mode water may have been trapped in the steam hose. Therefore before using the steam generator on a garment direct a shot of steam into the air to release any remaining condensation.

### Calc Clean Reminder

Mineral deposits in tap water solidify when the water is heated and can build up in the steam holes and boiler system which can affect steam performance.

The Calc Clean light illuminates WHITE to remind you when it is time to flush the boiler. The Calc Clean light illuminates after approximately 20 hours of use. It is important to regularly flush out the boiler to maintain the performance of the ironing system.

**NOTE:** If all the lights on the control panel illuminate and flash you must decalcify the unit immediately. If the lights continue to flash after you have decalcified the unit please call Customer Services on 1300 881 861.

SEE CARE & CLEANING SECTION ON PAGE 10.

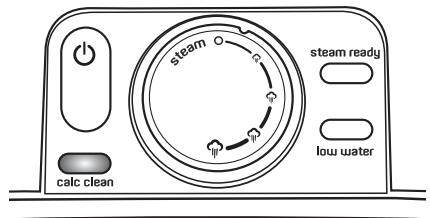


Figure 6

# Care and Cleaning

## After each use

1. Turn the power off and remove the plug from the power outlet.
2. Allow the iron to cool before storing.

## Storage

Empty the water tank before storage.

Always store the iron on the base of the steam generator.

Insert the power cord into the storage compartment.

Wrap the steam cord around the machine for ease of storage.

**Warning:** "Do NOT empty the boiler during use or at anytime when the steam generator is hot

## Cleaning

To clean the exterior of your iron, wipe over with a damp soft cloth and wipe dry.

**Caution:** Do not use harsh abrasives, chemical cleaners or solvents to clean the exterior of your iron as these will damage the surface.

## Cleaning the steam holes

To remove build up from the steam holes which may affect steam performance, use a cotton wool tip moistened in methylated spirits.

## Cleaning the soleplate

Wipe with a soft damp cloth and wipe dry.

**Caution:** Do not use scouring pads, abrasives or harsh cleaners to clean your Teflon Platinum Pro soleplate, as these will scratch and damage the surface.

**Warning:** Do NOT empty the boiler during use or at anytime when the steam generator is hot.

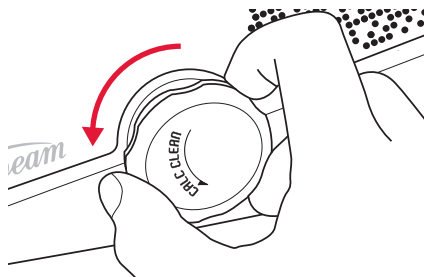


Figure 7

## Calc Clean Reminder

Mineral deposits in tap water solidify when the water is heated and can build up in the steam holes and boiler system which can affect steam performance. It is important to regularly flush out the boiler to maintain the performance of the ironing system.

The Calc Clean light illuminates WHITE to remind you when it is time to flush the boiler. The Calc Clean light illuminates after approximately 20 hours of use.

## Calc Clean instructions – using Sunbeam Ironing System Descaling Tablets

**NOTE:** 1x6g descaling tablet (SR0100) has been included with the SR8700. These are also available from selected retailers. Dissolve 1 x 6g tablet in 400ml of warm water (90 degrees is recommended) in a jug before use.

1. To flush the boiler, turn the unit off and wait for it to cool completely (approx 2 hours).
2. Place the unit on a waterproof surface, or on the edge of the sink.

**Caution:** If the unit has been used prior to descaling the boiler the calc clean boiler cap will be very hot. Ensure that the unit has cooled completely before commencing the Calc cleaning process.

3. Slowly turn the calc clean boiler cap anti clock wise. See fig 7.

**Note:** The boiler cap needs to be released slowly to release any remaining water.

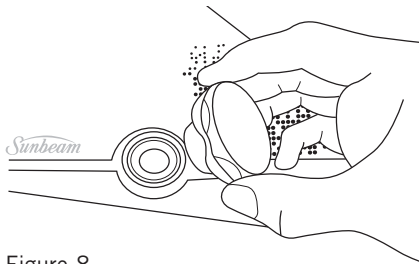


Figure 8

4. Remove the calc clean valve completely. See fig 8.
5. Place the unit on its side and remove any remaining water. Carefully pour the descaling solution into the boiler. Replace the calc clean valve.
6. Return the unit to the upright position and leave for 2 minutes.
7. Shake the unit back and forth to dislodge any scale build up on the base of the boiler. Leave for 10 minutes.
8. Shake the unit again to swirl the solution around inside the boiler.
9. Place the unit on a sink or vessel so that water can be expelled from the boiler.
10. Carefully remove the calc clean valve and ensure the descaling solution is emptied.
11. Rinse with 400ml of water (90 degrees is recommended), shake and empty. Repeat rinsing process at least 2 times.

12. Once you have completed the descaling process, and refilled the tank, press and hold the Power button for 3 seconds to switch off the Calc Clean indicator light. The power light will illuminate and the unit will begin heating as normal.

**Note:** Sunbeam Steam Ironing System descaling tablets (SR0100) are available from selected department stores and electrical retailers.

#### **Calc Clean instructions – using lemon juice**

Alternatively, if you do not have Sunbeam Ironing System Descaling Tablets, you can use lemon juice to remove the scale build up from inside the unit's boiler.

1. To flush the boiler, turn the unit off and wait for it to cool completely (approx 2 hours).
2. Place the unit on a waterproof surface, or on the edge of the sink.
3. Slowly release the calc clean boiler cap to release any remaining water.

**CAUTION:** If the unit has been used prior to descaling the boiler the calc clean boiler cap will be very hot. Ensure that the unit has cooled completely before commencing the calc cleaning process.

4. Empty any remaining water from the boiler.
5. In a small jug, add 3 tbs lemon juice to 400ml of warm water (90 degrees is recommended) and stir to mix.
6. Place the unit on its side and carefully pour the lemon solution into the boiler. Replace the calc clean boiler cap.
7. Return the unit to the upright position and leave for 2 minutes.

## Care and Cleaning (continued)

8. Shake the unit back and forth to dislodge any scale build up on the base of the boiler. Leave for 10 minutes.
9. Shake the unit again to swirl the solution around inside the boiler.
10. Place the unit on a sink or vessel so that solution can be expelled from the boiler.
11. Carefully remove the calc clean valve and ensure the descaling solution is emptied.
12. Rinse with 400ml of water (90 degrees is recommended) clean water, shake and empty. Repeat rinsing process at least 2 times.
13. Once you have completed the descaling process, and refilled the tank, press and hold the Power button for 3 seconds to switch off the Calc Clean indicator light. The power light will illuminate and the unit will begin heating as normal.

# Trouble Shooting Guide

<b>Problem</b>	<b>Possible Reason</b>	<b>Solution</b>
Water is spitting from the soleplate.	The temperature of the soleplate is set below the Silk setting.	Turn the soleplate temperature up to Silk or above and wait for the soleplate to reach the selected temperature. Before using the steam generator on a garment direct a shot of steam into the air to release any remaining condensation.
	The unit has been left overnight and water residue has built up in the steam hose.	
	The unit has been moved or shaken during use.	Ensure the unit is placed on stable base and is not moved or shaken. Ensure the soleplate temperature is turned up to Silk or above and wait for the soleplate to reach the selected temperature. Before using the steam generator on a garment direct a shot of steam into the air to release any remaining condensation.
The Calc Clean indicator light illuminated.	The unit needs to be descaled.	Wait for the unit to cool down and then following the Care and Cleaning instructions on page 11. Once you have completed the descaling process and refilled the tank, press and hold the Power button for 3 seconds to switch off the Calc Clean indicator light. The power light will illuminate and the unit will begin heating as normal.
The Calc Clean indicator light is still on after the unit has been descaled.	The Calc Clean function has not been reset.	When you have completed the descaling process and refilled the tank, press and hold the Power button for 3 seconds to switch off the Calc Clean indicator light. The power light will illuminate and the unit will begin heating as normal.
All the lights on the control panel are flashing	This may be a result of that the unit has not been descaled properly.	This could be an indication that the steam generator has not been decalcified on a regular basis as recommended by the Calc Clean indicator. Decalcify the unit immediately. If the lights on the control panel continue to flash after you have properly decalcified the unit please call Customer Services on 1300 881 861.

# Ironing Tips and Tricks

## **Tip # 1 - Iron shirts like a pro**

Start with the collar, working from the outer edges into the middle. Iron the shoulder next, followed by the cuffs and sleeves. Place the collar at the narrow end of the board so that one front panel of the shirt is extended flat. Iron the front panel from shoulder to shirt tail. Rotate to iron the back of the shirt. Rotate and complete the remaining front panel.

## **Tip # 2 - Tips for T-shirts**

Straighten seams on t-shirts before hanging out to dry. To avoid damage to printed graphics and logos turn the t-shirt inside out and iron the reverse side of the print. Never iron areas of your t-shirt where perspiration marks are visible as the heat of the iron will permanently fix the stain.

## **Tip # 3 - Hung out to dry**

When washing is complete, remove shirts from the machine immediately, shake them out and hang them on coat hangers to air dry – this will keep wrinkles to a minimum.

## **Tip # 4 - Selecting the right temperature**

If you are unsure of the correct setting for a particular garment, test a small area such as a seam or inside hem before ironing a visible area. Start with a low temperature and slowly increase the heat to find the best setting.

## **Tip # 5 - Don't be afraid to iron silk**

Don't be afraid to iron silk. Although delicate in appearance, silk is the strongest and most resilient of all natural fibres. To achieve the best results, set to a low cotton setting and use regular shots of steam. Always use a pressing cloth to avoid shine marks.

## **Tip # 6 - Ironing the seam**

Always press seams in the same direction they were made. When a garment is produced, the fibres will naturally settle in the direction they were initially pressed, so it's best not to iron against the grain.

## **Tip # 7 - Sort types of fabric**

Sort articles to be ironed according to the type of fabric. This will reduce the need to adjust the temperature constantly. Start with articles requiring lower temperatures and work your way through to items requiring higher settings.

## **Tip # 8 - Summer frocks and frills**

Steam is the key when ironing delicate summer fabrics such as muslin, cotton and linen. Don't press down with the iron, simply hover above the garment and steam it using a vertical shot of steam. Ruffling, netting, tulle or intricate hand detailing is also best ironed using this method.

## **Tip # 9 - Pressing your winter woollies**

Steam is crucial when pressing your winter woollies. Woollen garments can be hung and steamed using the vertical shot of steam feature. After steaming, brush the garment with your hand to plump up woollen fibres. If ironing the garment flat it is best to use a pressing cloth. Don't be afraid to apply pressure – steam and hold.

## **Tip # 10 - Table settings to impress**

To avoid unwanted creases always iron your table cloth after taking it out of the cupboard. A dinner party is a special occasion, so treat the table cloth as you would your own outfit. For best results, lay towels across your table and iron the table cloth over the towels. This will save you time and ensure a beautifully presented table setting.

# Ironing Chart

Fabric	Temperature Setting	Ironing recommendation
Acrylic	•	Dry iron on wrong side
Acetate	•	Dry iron on wrong side while still damp or use spray to dampen
Silk	••	Iron on wrong side. Use an ironing cloth to prevent shine marks
Nylon	••	Iron on wrong side while still damp or use spray to dampen
Polyester	••	Iron on wrong side while still damp or use spray to dampen
Rayon	••	Iron on wrong side of fabric
Viscose	••	Mainly dry iron. Steam can be used under manufacturer's instructions
Wool	••	Steam iron on wrong side or use an ironing cloth
Wool Blends	••	Steam iron on wrong side or use an ironing cloth
Cotton Blends	••	Check label and follow manufacturer's instructions. Use setting for the fibre requiring the lowest setting
Corduroy	•••	Steam iron on wrong side or use an ironing cloth and brush to raise the pile
Cotton	•••	Dry iron while still damp or use spray to dampen. Use steam medium to high
Linen	••• to Max	Iron on wrong side or use an ironing cloth to prevent shine marks, especially with dark colours. Dry iron while still damp or use spray to dampen. Use steam medium to high
Denim	••• to Max	Use maximum steam



# Notes

# Notes

## 2 Year Replacement Guarantee

In the unlikely event that this appliance develops any malfunction within 2 years of purchase (3 months commercial use) due to faulty materials or manufacture, we will replace it for you free of charge.

Should you experience any difficulties with your appliance, please phone our customer service line for advice on 1300 881 861 in Australia, or 0800 786 232 in New Zealand. Alternatively, you can send a written claim to Sunbeam at the address listed below. On receipt of your claim, Sunbeam will seek to resolve your difficulties or, if the appliance is defective, advise you on how to obtain a replacement or refund.

Your Sunbeam 2 Year Replacement Guarantee naturally does not cover misuse or negligent handling and normal wear and tear.

Similarly your 2 Year Replacement Guarantee does not cover freight or any other costs incurred in making a claim. Please retain your receipt as proof of purchase.

The benefits given to you by this guarantee are in addition to your other rights and remedies under any laws which relate to the appliance.

Our goods come with guarantees that cannot be excluded under the Australian Consumer Law and under the New Zealand Consumer Guarantees Act.

In Australia you are entitled to a replacement or refund for a major failure and for compensation for any other reasonably foreseeable loss or damage. You are also entitled to have the goods repaired or replaced if the goods fail to be of acceptable quality and the failure does not amount to a major failure.

Should your appliance require repair or service after the guarantee period, contact your nearest Sunbeam service centre.

For a complete list of Sunbeam's authorised service centres visit our website or call:

### **Australia**

[www.sunbeam.com.au](http://www.sunbeam.com.au)

**1300 881 861**

Units 5 & 6, 13 Lord Street  
Botany NSW 2019 Australia

### **New Zealand**

[www.sunbeam.co.nz](http://www.sunbeam.co.nz)

**0800 786 232**

26 Vestey Drive, Mt Wellington  
Auckland, New Zealand

## Need help with your appliance?

Contact our customer service team or visit our website for information and tips on getting the most from your appliance.

### In Australia

Visit [www.sunbeam.com.au](http://www.sunbeam.com.au)

Or call 1300 881 861

### In New Zealand

Visit [www.sunbeam.co.nz](http://www.sunbeam.co.nz)

Or call 0800 786 232



is a registered trademark.

'Solus' and 'Resilium' are registered trademarks of Sunbeam Corporation.

Made in China.

Due to minor changes in design or otherwise, the product may differ from the one shown in this leaflet.

© Copyright. Sunbeam Corporation Limited 2006.

ABN 45 000 006 771

Units 5 & 6, 13 Lord Street  
Botany NSW 2019 Australia

Unit 3, Building D  
26 Vestey Drive

Mt Wellington Auckland  
New Zealand

Sunbeam Corporation is a division of GUD Holdings Ltd.

## Free Manuals Download Website

<http://myh66.com>

<http://usermanuals.us>

<http://www.somanuals.com>

<http://www.4manuals.cc>

<http://www.manual-lib.com>

<http://www.404manual.com>

<http://www.luxmanual.com>

<http://aubethermostatmanual.com>

Golf course search by state

<http://golfingnear.com>

Email search by domain

<http://emailbydomain.com>

Auto manuals search

<http://auto.somanuals.com>

TV manuals search

<http://tv.somanuals.com>