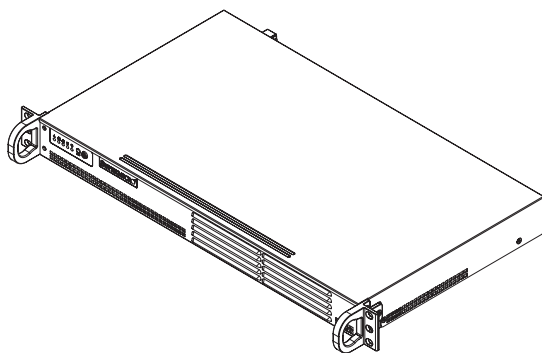


SUPER

SC502 Chassis Series



SC502-200B

USER'S MANUAL

1.0

The information in this User's Manual has been carefully reviewed and is believed to be accurate. The vendor assumes no responsibility for any inaccuracies that may be contained in this document, makes no commitment to update or to keep current the information in this manual, or to notify any person or organization of the updates. **Please Note: For the most up-to-date version of this manual, please see our web site at www.supermicro.com.**

Super Micro Computer, Inc. ("Supermicro") reserves the right to make changes to the product described in this manual at any time and without notice. This product, including software, if any, and documentation may not, in whole or in part, be copied, photocopied, reproduced, translated or reduced to any medium or machine without prior written consent.

IN NO EVENT WILL SUPERMICRO BE LIABLE FOR DIRECT, INDIRECT, SPECIAL, INCIDENTAL, SPECULATIVE OR CONSEQUENTIAL DAMAGES ARISING FROM THE USE OR INABILITY TO USE THIS PRODUCT OR DOCUMENTATION, EVEN IF ADVISED OF THE POSSIBILITY OF SUCH DAMAGES. IN PARTICULAR, SUPERMICRO SHALL NOT HAVE LIABILITY FOR ANY HARDWARE, SOFTWARE, OR DATA STORED OR USED WITH THE PRODUCT, INCLUDING THE COSTS OF REPAIRING, REPLACING, INTEGRATING, INSTALLING OR RECOVERING SUCH HARDWARE, SOFTWARE, OR DATA.

Any disputes arising between manufacturer and customer shall be governed by the laws of Santa Clara County in the State of California, USA. The State of California, County of Santa Clara shall be the exclusive venue for the resolution of any such disputes. Super Micro's total liability for all claims will not exceed the price paid for the hardware product.

WARNING: Handling of lead solder materials used in this product may expose you to lead, a chemical known to the State of California to cause birth defects and other reproductive harm.

Manual Revision 1.0
Release Date: December 6, 2007

Unless you request and receive written permission from Super Micro Computer, Inc., you may not copy any part of this document.

Information in this document is subject to change without notice. Other products and companies referred to herein are trademarks or registered trademarks of their respective companies or mark holders.

Copyright © 2007 by Super Micro Computer, Inc.
All rights reserved.

Printed in the United States of America

Preface

About This Manual

This manual is written for professional system integrators and PC technicians. It provides information for the installation and use of the SC502 chassis. Installation and maintenance should be performed by experienced technicians only.

Supermicro's SC502 chassis features a unique and highly-optimized design for low wattage processor platforms. The chassis is equipped with a 200W high efficiency power supply for superb power savings. High performance fans provide ample optimized cooling.

This document lists compatible parts available when this document was published. Always refer to the our Web site for updates on supported parts and configurations.

Manual Organization

Chapter 1 Introduction

The first chapter provides a checklist of the main components included with this chassis and describes the main features of the SC502 chassis. This chapter also includes contact information.

Chapter 2 System Safety

This chapter lists warnings, precautions, and system safety. It recommended that you thoroughly familiarize yourself installing and servicing this chassis safety precautions.

Chapter 3 Chassis Components

Refer here for details on this chassis model including the fans, airflow shields, and other components.

Chapter 4 Chassis Setup and Installation

Follow the procedures given in this chapter when installing, removing, or reconfiguring your chassis.

Chapter 5 Rack Installation

Refer to this chapter for detailed information on chassis rack installation. You should follow the procedures given in this chapter when installing, removing or reconfiguring your chassis into a rack environment.

Appendix A Cables, Screws and other Accessories

Appendix B: Power Supply Specifications

Table of Contents

Chapter 1 Introduction

1-1	Overview	1-1
1-2	Shipping List.....	1-1
	Part Numbers.....	1-1
1-3	Where to get Replacement Components.....	1-2
1-4	Contacting SuperMicro.....	1-3

Chapter 2 System Safety

2-1	Overview	2-1
2-2	Warnings and Precautions	2-1
2-3	Preparing for Setup.....	2-1
2-4	Electrical Safety Precautions	2-2
2-5	General Safety Precautions	2-3
2-6	System Safety.....	2-3

Chapter 3 Chassis Components

3-1	Overview	3-1
3-2	Components	3-1
	Chassis.....	3-1
	Mounting to a Rack (optional).....	3-1
	Power Supply	3-1
3-3	Where to get Replacement Components.....	3-2

Chapter 4 Chassis Setup and Maintenance

4-1	Overview	4-1
4-2	Removing the Chassis Cover	4-2
4-3	Installing the Hard Drives.....	4-3
4-4	Installing the Motherboard	4-4
	Chassis Standoffs	4-4
	Motherboard Installation.....	4-5
	Add-on Card/Expansion Slot Setup	4-6
4-5	Replacing the Heatsink	4-8
	Checking the Server's Air Flow.....	4-9
4-8	Power Supply	4-10
	Replacing the Power Supply.....	4-10

Chapter 5 Rack Installation

5-1	Overview	5-1
5-2	Unpacking the System	5-1
5-3	Preparing for Setup.....	5-1

Choosing a Setup Location.....	5-1
Rack Precautions.....	5-2
General Server Precautions.....	5-2
Rack Mounting Considerations.....	5-3
Ambient Operating Temperature.....	5-3
Reduced Airflow.....	5-3
Mechanical Loading.....	5-3
Circuit Overloading.....	5-3
5-4 Rack Mounting Instructions.....	5-4
Installing the Chassis into a Rack:.....	5-4
Installing the Chassis into a Rack:.....	5-5

Appendix A Cables, Screws, and other Accessories

Appendix B Power Supply Specifications

Chapter 1

Introduction

1-1 Overview

Supermicro's SC502 chassis features a unique and highly-optimized design. The chassis is equipped with high efficiency 80%+ low noise power supply.

1-2 Shipping List

Part Numbers

Please visit the following link for the latest shipping lists and part numbers for your particular chassis model <http://www.supermicro.com/>

SC502-200B Chassis				
Model	CPU	HDD	I/O Slots	Power Supply
SC502-200(B)	Intel Celeron 400 series (35W) or low power platforms under 20W	1 Fixed 3.5" hard drive or up to 2 fixed 2.5" hard drives	1x FH (optional)	200W

IMPORTANT: It is *critical* to choose the correct heatsink for your motherboard, that will fit in the SC502 chassis.

1. Intel Celeron 400 series (35W) platform: Active heatsink SNKP0032A4
2. Low power platforms under 20W: Passive heatsink SNKP0016P

1-3 Where to get Replacement Components

Though not frequently, you may need replacement parts for your system. To ensure the highest level of professional service and technical support, we strongly recommend purchasing exclusively from our Supermicro Authorized Distributors / System Integrators / Resellers. A list of Supermicro Authorized Distributors / System Integrators / Reseller can be found at: <http://www.supermicro.com>. Click the Where to Buy link.

1-4 Contacting SuperMicro

Headquarters

Address: Super Micro Computer, Inc.
980 Rock Ave.
San Jose, CA 95131 U.S.A.

Tel: +1 (408) 503-8000

Fax: +1 (408) 503-8008

Email: marketing@supermicro.com (General Information)
support@supermicro.com (Technical Support)

Web Site: www.supermicro.com

Europe

Address: Super Micro Computer B.V.
Het Sterrenbeeld 28, 5215 ML
's-Hertogenbosch, The Netherlands

Tel: +31 (0) 73-6400390

Fax: +31 (0) 73-6416525

Email: sales@supermicro.nl (General Information)
support@supermicro.nl (Technical Support)
rma@supermicro.nl (Customer Support)

Asia-Pacific

Address: Super Micro Computer, Taiwan
4F, No. 232-1, Liancheng Rd.
Chung-Ho 235, Taipei County
Taiwan, R.O.C.

Tel: +886-(2) 8226-3990

Fax: +886-(2) 8226-3991

Web Site: www.supermicro.com.tw

Email: support@supermicro.com.tw (Technical Support)

Tel: 886-2-8228-1366, ext.132 or 139

Notes

Chapter 2

System Safety

2-1 Overview

This chapter provides a quick setup checklist to get your chassis up and running. Following the steps in order given should enable you to have your chassis setup and operational within a minimal amount of time. This quick set up assumes that you are an experienced technician, familiar with common concepts and terminology.

2-2 Warnings and Precautions

You should inspect the box the chassis was shipped in and note if it was damaged in any way. If the chassis itself shows damage, file a damage claim with carrier who delivered your system.

Decide on a suitable location for the rack unit that will hold that chassis. It should be situated in a clean, dust-free area that is well ventilated. Avoid areas where heat, electrical noise and electromagnetic fields are generated.

You will also need it placed near at least one grounded power outlet. When configured, the SC502 chassis includes one power supply.

2-3 Preparing for Setup

The SC502 Chassis bolts directly to a rack and includes the mounting screws you will need to install the systems into the rack. Please read this manual in its entirety before you begin the installation procedure.

2-4 Electrical Safety Precautions

Basic electrical safety precautions should be followed to protect yourself from harm and the SC502 from damage:

- Be aware of the locations of the power on/off switch on the chassis as well as the room's emergency power-off switch, disconnection switch or electrical outlet. If an electrical accident occurs, you can then quickly remove power from the system.
- Do not work alone when working with high voltage components.
- Power should always be disconnected from the system when removing or installing main system components, such as the serverboard, memory modules and the DVD-ROM and floppy drives (not necessary for hot swappable drives). When disconnecting power, you should first power down the system with the operating system and then unplug the power cords from all the power supply modules in the system.
- When working around exposed electrical circuits, another person who is familiar with the power-off controls should be nearby to switch off the power, if necessary.
- Use only one hand when working with powered-on electrical equipment. This is to avoid making a complete circuit, which will cause electrical shock. Use extreme caution when using metal tools, which can easily damage any electrical components or circuit boards they come into contact with.
- Do not use mats designed to decrease electrostatic discharge as protection from electrical shock. Instead, use rubber mats that have been specifically designed as electrical insulators.
- The power supply power cord must include a grounding plug and must be plugged into grounded electrical outlets.
- Serverboard Battery: CAUTION - There is a danger of explosion if the onboard battery is installed upside down, which will reverse its polarities This battery must be replaced only with the same or an equivalent type recommended by the manufacturer. Dispose of used batteries according to the manufacturer's instructions.

- DVD-ROM Laser: CAUTION - This server may have come equipped with a DVD-ROM drive. To prevent direct exposure to the laser beam and hazardous radiation exposure, do not open the enclosure or use the unit in any unconventional way.

2-5 General Safety Precautions

- Keep the area around the chassis clean and free of clutter.
- Place the chassis top cover and any system components that have been removed away from the system or on a table so that they won't accidentally be stepped on.
- While working on the system, do not wear loose clothing such as neckties and unbuttoned shirt sleeves, which can come into contact with electrical circuits or be pulled into a cooling fan.
- Remove any jewelry or metal objects from your body, which are excellent metal conductors that can create short circuits and harm you if they come into contact with printed circuit boards or areas where power is present.
- After accessing the inside of the system, close the system back up and secure it to the rack unit with the retention screws after ensuring that all connections have been made.

2-6 System Safety

Electrostatic discharge (ESD) is generated by two objects with different electrical charges coming into contact with each other. An electrical discharge is created to neutralize this difference, which can damage electronic components and printed circuit boards. The following measures are generally sufficient to neutralize this difference before contact is made to protect your equipment from ESD:

- Do not use mats designed to decrease electrostatic discharge as protection from electrical shock. Instead, use rubber mats that have been specifically designed as electrical insulators.
- Use a grounded wrist strap designed to prevent static discharge.
- Keep all components and printed circuit boards (PCBs) in their antistatic bags until ready for use.

- Touch a grounded metal object before removing any board from its antistatic bag.
- Do not let components or PCBs come into contact with your clothing, which may retain a charge even if you are wearing a wrist strap.
- Handle a board by its edges only; do not touch its components, peripheral chips, memory modules or contacts.
- When handling chips or modules, avoid touching their pins.
- Put the serverboard and peripherals back into their antistatic bags when not in use.
- For grounding purposes, make sure your computer chassis provides excellent conductivity between the power supply, the case, the mounting fasteners and the serverboard.

Chapter 3

Chassis Components

3-1 Overview

This chapter describes the most common components included with your chassis. Some components listed may not be included or compatible with your particular chassis model. For more information, see the installation instructions detailed later in this manual.

3-2 Components

Chassis

Chassis may include one of the following three options:

- One fixed 3.5" hard drive.
- Up to 2 fixed 2.5" hard drives.
- One FH PCI add-on card

For the latest shipping lists, visit our Web site at: <http://www.supermicro.com>.

Mounting to a Rack (optional)

The SC502 can be placed in a rack for secure storage and use. To setup your rack, follow the step-by-step instructions included in this manual.

Power Supply

Each SC502 chassis model includes a high-efficiency 80%+ low noise power supply with thermal control fan, rated at 200 Watts. In the unlikely event your power supply fails, replacement is simple. The power supply simply needs to be unscrewed from the chassis and replaced.

3-3 Where to get Replacement Components

Though not frequently, you may need replacement parts for your system. To ensure the highest level of professional service and technical support, we strongly recommend purchasing exclusively from our Supermicro Authorized Distributors/System Integrators/Resellers. A list of Supermicro Authorized Distributors/System Integrators/Resellers can be found at: <http://www.supermicro.com>. Click the Where to Buy link.

Chapter 4

Chassis Setup and Maintenance

4-1 Overview

This chapter covers the steps required to install components and perform maintenance on the chassis. The only tool you will need to install components and perform maintenance is a Phillips screwdriver. Print this page to use as a reference while setting up your chassis.



Review the warnings and precautions listed in the manual before setting up or servicing this chassis. These include information in Chapter 2: System Safety and the warning/precautions listed in the setup instructions.

4-2 Removing the Chassis Cover

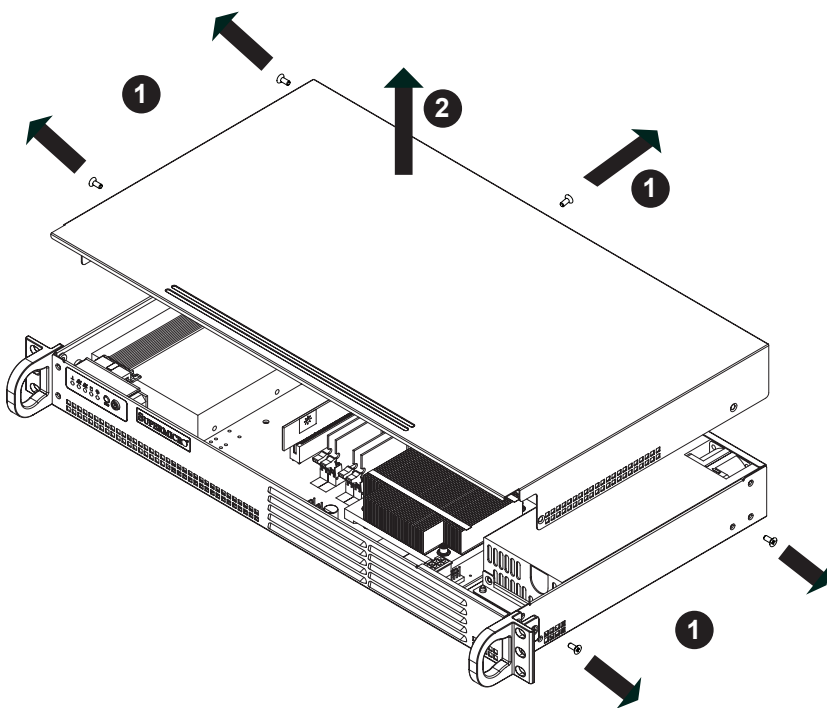


Figure 4-1: Removing the Chassis Cover

1. Remove the five screws that hold the chassis cover in place. There are two screws on each side of the chassis, and one screw on the back.
2. Once the screws have been removed, lift the cover upward to remove it from the chassis.



Warning: Except for short periods of time, do NOT operate the server without the cover in place. The chassis cover must be in place to allow proper airflow and prevent overheating.

4-3 Installing the Hard Drives

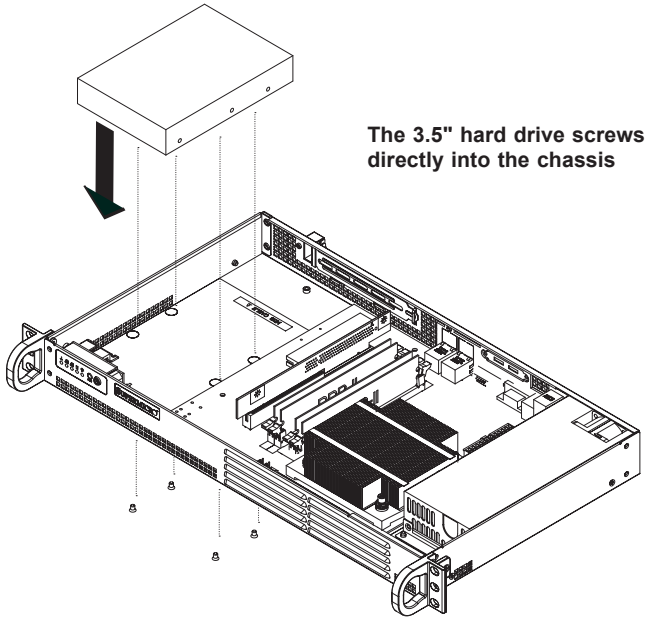


Figure 4-2: Installing the 3.5" Hard Drive

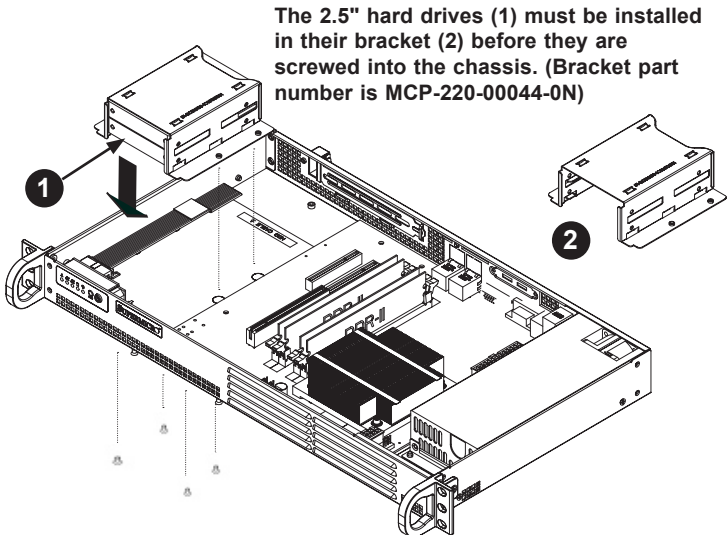


Figure 4-3: Installing the 2.5" Hard Drives

4-4 Installing the Motherboard

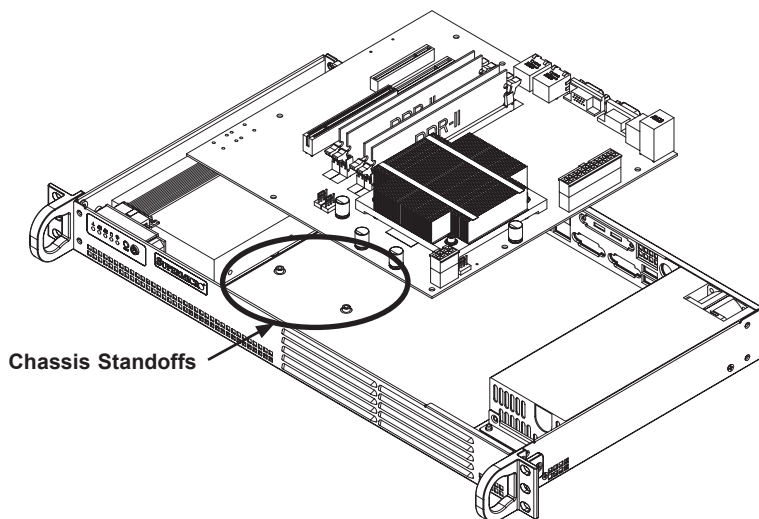


Figure 4-4: Chassis Standoffs

Chassis Standoffs

Standoffs prevent short circuits by securing space between the motherboard and the chassis surface. The SC502 chassis includes permanent standoffs in locations used by Micro ATX 9.6" x 9.6" size motherboards. These standoffs accept the rounded Phillips head screws included in the SC502 accessories packaging.

Motherboard Installation

1. Review the documentation that came with your motherboard. Become familiar with component placement, requirements, precautions, and cable connections. The SC502 chassis supports 9.6" x 9.6" Micro ATX motherboards. Refer to the Supermicro Web site for details or contact Supermicro for assistance.
2. Open the chassis cover.
3. Lay the motherboard on the chassis aligning the board with the standoffs.
4. Secure the motherboard to the chassis using the rounded, Phillips head screws.
5. Secure the CPU(s), heatsinks, and other components to the motherboard as described in the motherboard documentation.
6. Connect the cables between the motherboard, chassis, front panel, and power supply, as needed

Add-on Card/Expansion Slot Setup

SC502 chassis includes an I/O slot for the optional add-on card. A full-height, half-length PCI add-on card is supported. A riser card is required in order to adapt the add-on card to the 1U chassis. For further information on add-on cards and riser cards, refer to the Supermicro website at www.supermicro.com

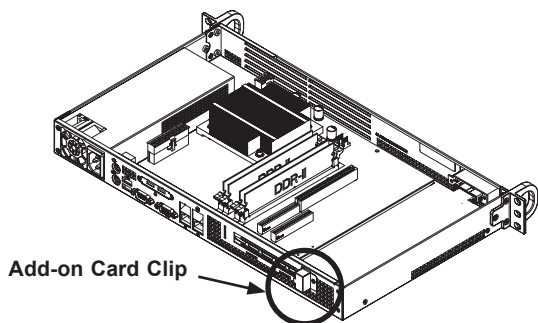


Figure 4-5: Locate the Add-on Card Clip

1. Locate the add-on card clip on the back of the chassis
2. Remove the screws holding the add-on card clip and the dummy bracket which covers the openings in the back of the chassis.
3. Remove the add-on card clip and the dummy plate from the chassis.
4. Outside of the chassis, put the add-on card and the riser card together by inserting the add-on card into the riser card.

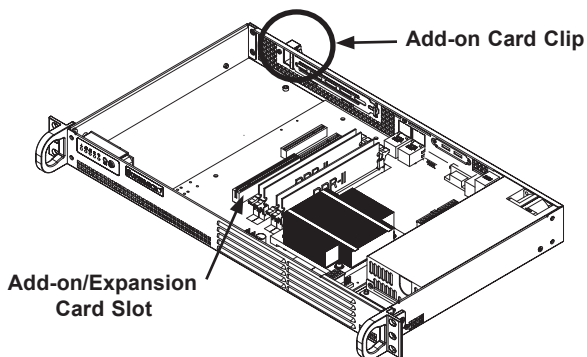


Figure 4-6: Install the Add-on Card and Riser Card

5. Insert the assembled add-on card and riser card into the expansion slot inside the chassis, carefully aligning the plate of the add-on card with the openings in the back of the chassis.
6. Replace the add-on card clip and screw it onto the chassis to hold the add-on card in place.

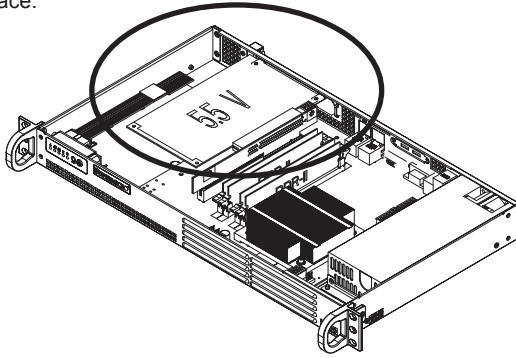


Figure 4-7: Replace the Add-on Card

7. Replace the chassis cover.

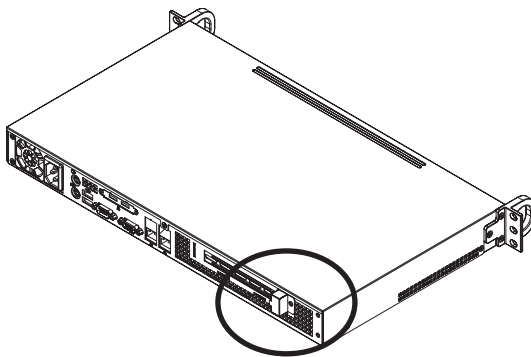


Figure 4-8: Replace the Add-on Card Clip

4-5 Installing the Heatsink

The SC502 Chassis requires that a heatsink be used to conduct heat away from the motherboard.

1. Unplug all power leading to the chassis.
2. Align the holes of the heatsink with the mounting thru holes in the motherboard
3. Using the screws of the heatsink attach the heatsink to the motherboard.

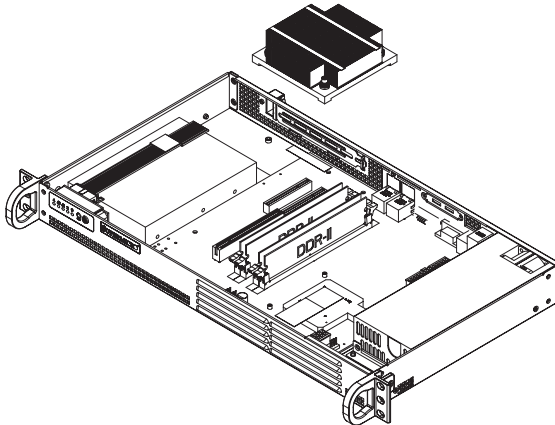


Figure 4-9: Installing the Heatsink

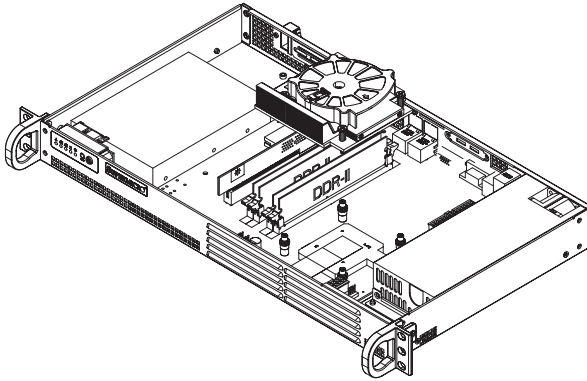


Figure 4-10: Installing an Active Heatsink

Note:

Intel Celeron 400 35W platform motherboards may require an optimized design (SNK-P0032A4) active heatsink. Refer to Appendix A of this manual for basic heatsink information. Refer to your motherboard documentation for detailed heatsink information and installation instructions, specific to your motherboard.

Checking the Server's Air Flow

1. Make sure there are no objects to obstruct airflow in and out of the server.
2. Use only recommended server parts.
3. Make sure no wires or foreign objects obstruct air flow through the chassis. Pull all excess cabling out of the airflow path, or use shorter cables.
4. The control panel LEDs inform you of system status. See “Chapter 3: System Interface” for details on the LEDs and the control panel buttons.

4-8 Power Supply

The SC502 chassis has a 200 watt power supply. This power supply is auto-switching capable. This enables it to automatically sense and operate at a 100v to 240v input voltage.

The SC502 chassis has one power supply. In the unlikely event that the power supply unit fails, the system will shut down and you will need to change the power supply unit.

New units can be ordered directly from Supermicro (see contact information in the Preface).

Replacing the Power Supply

1. Unplug all power leading to the chassis.
2. Disconnect all wiring from the power supply.
3. Remove the four screws which hold the power supply in the chassis. Two rear mounting screws are located on the rear of the power supply. Two bottom mounting screws are accessed on the underside of the chassis and extend

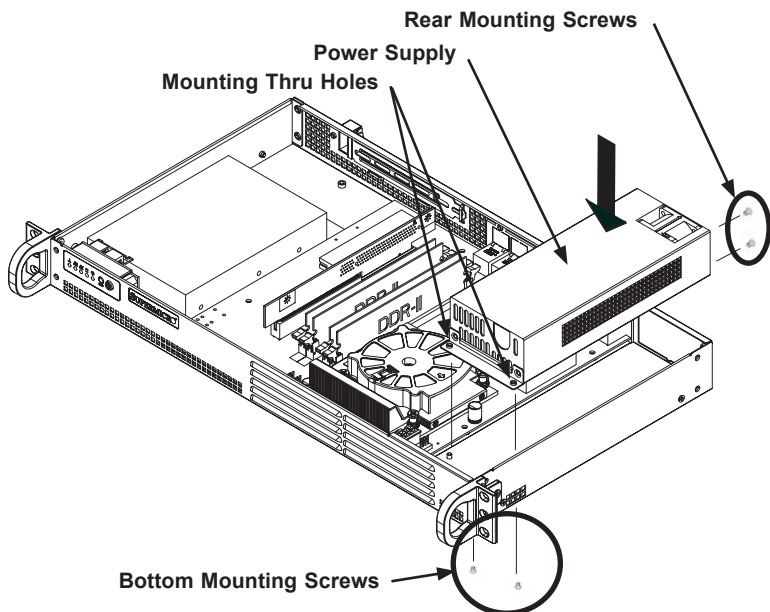


Figure 4-11: Installing the Power Supply

upwards through the mounting thru holes, to hold the power supply in place. Set the screws aside for later use.

4. Remove the power supply from the chassis.
5. Align the mounting thru holes on the power supply with the mounting holes in the chassis and reattach the power supply to the chassis using the four screws which were previously set aside
6. Connect the chassis wiring to the power supply.

Notes

Chapter 5

Rack Installation

5-1 Overview

This chapter provides a quick setup checklist to get your chassis up and running. Following these steps in the order given should enable you to have the system operational in a minimal amount of time.

5-2 Unpacking the System

You should inspect the box the chassis was shipped in, and note if it was damaged in any way. If the chassis itself shows damage, you should file a damage claim with the carrier who delivered it.

Decide on a suitable location for the rack unit that will hold your chassis. It should be situated in a clean, dust-free area that is well ventilated. Avoid areas where heat, electrical noise and electromagnetic fields are generated. You will also need it placed near a grounded power outlet. Be sure to read the Rack and Server Precautions in the next section.

5-3 Preparing for Setup

The box your chassis was shipped in should include four mounting screws, which you will need if you intend to install the system into a rack. Please read this section in its entirety before you begin the installation procedure outlined in the sections that follow.

Choosing a Setup Location

- Leave enough clearance in front of the rack to enable you to open the front door completely (~25 inches).
- Leave approximately 30 inches of clearance in the back of the rack to allow for sufficient airflow and ease in servicing.

- This product is for installation only in a Restricted Access Location (dedicated equipment rooms, service closets and similar environments).



Warnings and Precautions!



Rack Precautions

- Ensure that the leveling jacks on the bottom of the rack are fully extended to the floor with the full weight of the rack resting on them.
- In single rack installation, stabilizers should be attached to the rack.
- In multiple rack installations, the racks should be coupled together.
- Always make sure the rack is stable before extending a component from the rack.
- You should extend only one component at a time. Extending two or more simultaneously may cause the rack to become unstable.

General Server Precautions

- Review the electrical and general safety precautions that came with the components you are adding to your chassis.
- Determine the placement of each component in the rack.
- Install the heaviest server components on the bottom of the rack first, and then work up.
- Use a regulating, uninterruptible power supply (UPS) to protect the server from power surges, voltage spikes and to keep your system operating in case of a power failure.
- Allow the hard drives and power supply modules to cool before touching them.
- Always keep the rack's front door, all panels and all components on the servers closed when not servicing, in order to maintain proper cooling.

Rack Mounting Considerations

Ambient Operating Temperature

If installed in a closed or multi-unit rack assembly, the ambient operating temperature of the rack environment may be greater than the ambient temperature of the room. Therefore, consideration should be given to installing the equipment in an environment compatible with the manufacturer's maximum rated ambient temperature (TMRA).

Reduced Airflow

Equipment should be mounted into a rack so that the amount of airflow required for safe operation is not compromised.

Mechanical Loading

Equipment should be mounted into a rack so that a hazardous condition does not arise due to uneven mechanical loading.

Circuit Overloading

Consideration should be given to the connection of the equipment to the power supply circuitry and the effect that any possible overloading of circuits might have on overcurrent protection and power supply wiring. Appropriate consideration of equipment nameplate ratings should be used when addressing this concern.

Reliable Ground

A reliable ground must be maintained at all times. To ensure this, the rack itself should be grounded. Particular attention should be given to power supply connections other than the direct connections to the branch circuit (for example, the use of power strips, and other devices).

5-4 Rack Mounting Instructions

This section provides information on installing the SC502 chassis into a rack unit. There are a variety of rack units on the market, which may mean the assembly procedure will differ slightly. You should also refer to the installation instructions that came with the rack unit you are using.

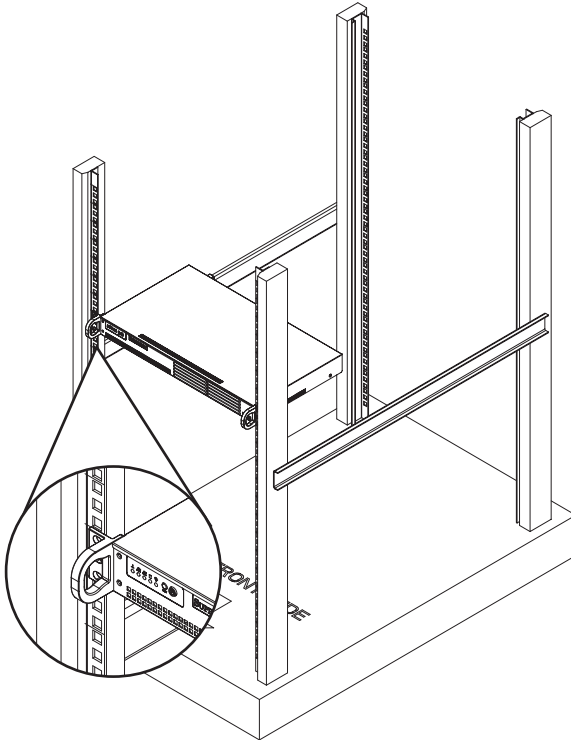


Figure 5-1: Installing the Chassis into a Rack

Installing the Chassis into a Rack:

1. Confirm that chassis includes the four mounting screws required to mount the chassis into a rack
2. Align the thru holes of the chassis with the thru holes of the rack.
3. Insert the mounting screws into the thru holes in the front of the chassis and through the thru holes in the rack

Mid-Mount Telco Rack

The SC502 supports Telco Rack installation. The SC502 chassis compact design allows the chassis to be installed into a Telco rack without the use of rails.

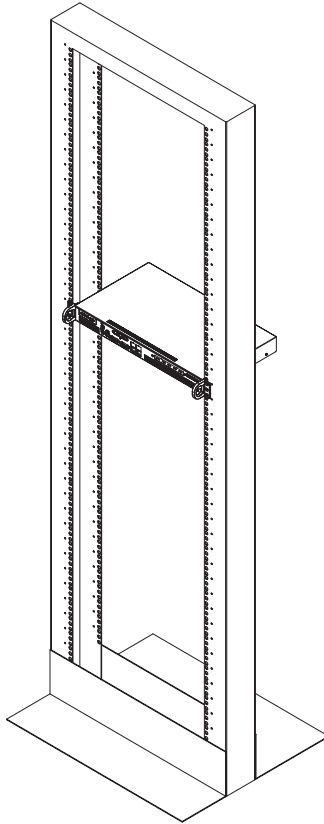


Figure 5-2: Installing the Chassis into a Telco Rack

Installing the Chassis into a Rack:

1. Confirm that chassis includes the four mounting screws required to mount the chassis into a rack
2. Align the thru holes of the chassis with the thru holes of the rack.
3. Insert the mounting screws into the thru holes in the front of the chassis and through the thru holes in the rack

Notes

Appendix A

Cables, Screws, and other Accessories

A-1 Overview

This appendix lists supported cables for your chassis system. It only includes the most commonly used components and configurations. For more compatible cables, refer to the manufacturer of the motherboard you are using and our Web site at: www.supermicro.com.

A-2 Cables Included with SC502 Chassis

SC502-200B			
Part #	Type	Length	Description
CBL-0236L	Ribbon	13"	16 pin to 16 pin ribbon cable for control panel
-	Cable	6'	Regional power cord

A-3 Optional Accessories

The following accessories are compatible with the SC502 Chassis.

Hard Drive Carrier (Tray):

MCP-220-00044-0N 2.5" hard drive carrier. One carrier can hold up to two 2.5" hard drives. The SC502 can hold up to two 2.5" hard drive carriers, for a total of four hard drives.

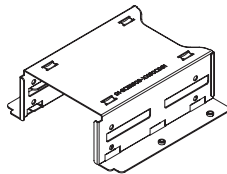


Figure A-1: Hard Driver Carrier (Tray)

1U Active Heatsink (SNK-P0032A4)

It is **critical** to choose the correct heatsink for your motherboard, that will fit in the SC502 chassis.

1. Intel Celeron 400 series (35W) platform: Active heatsink SNKP0032A4
2. Low power platforms under 20W: Passive heatsink SNKP0016P

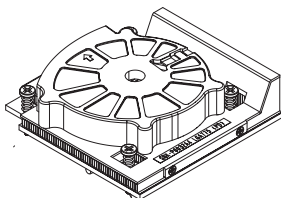


Figure A-2: SNK-P00A4 Active Heatsink

The SNK-P00A4 active heatsink may only be used on specific motherboards, due to its larger 4" x 4" size. ***This is particularly important in systems utilizing Intel Celeron 400 series platforms.*** To ascertain which heatsink is appropriate for your motherboard, refer to the Supermicro Web site at <http://www.supermicro.com>.

Extending Power Cables

Although Supermicro chassis are designed with to be efficient and cost-effective, some compatible motherboards have power connectors located in different areas. To use these motherboards you may have to extend the power cables to the motherboards. To do this, use the following chart as a guide.

Power Cable Extenders		
Number of Pins	Cable Part #	Length
24 pin	CBL - 0042	7.9"(20 CM)
20 pin	CBL - 0059	7.9"(20 CM)
8 pin	CBL - 0062	7.9"(20 CM)
4 pin	CBL - 0060	7.9"(20 CM)

Front Panel to the Motherboard

The SC502 chassis includes a cable to connect the chassis front panel to the motherboard. If your motherboard uses a different connector, use the following list to find a compatible cable.

Front Panel to Motherboard Cable (Ribbon Cable)		
Number of Pins (Front Panel)	Number of Pins (Motherboard)	Cable Part #
16 pin	16 pin	CBL - 0049
16 pin	20 pin	CBL - 0048
20 pin	20 pin	CBL - 0047
16 pin	various*	CBL - 0068
20 pin	various*	CBL - 0067

* Split Cables: Use these cable if your motherboard requires several different connections from the front panel.

A-4 Chassis Screws

The accessory box includes all the screws needed to setup your chassis. This section lists and describes the most common screws used. Your chassis may not require all the parts listed.

M/B



Pan head
6-32 x 5 mm
[0.197]

HARD DRIVE



Flat head
6-32 x 5 mm
[0.197]

DVD-ROM, CD-ROM, and FLOPPY DRIVE



Pan head
6-32 x 5 mm
[0.197]



Flat head
6-32 x 5 mm
[0.197]



Round head
M3 x 5 mm
[0.197]



Round head
M2.6 x 5 mm
[0.197]

RAIL



Flat head
M4 x 4 mm
[0.157]



Round head
M4 x 4 mm
[0.157]



Flat head
M5 x 12 mm [0.472]
Washer for M5



M/B STANDOFFS



M/B standoff
6-32 to 6-32



M/B (CPU)
standoff
M5 to 6-32



Thumb screw
6-32 x 5 mm
[0.197]



1/U M/B standoff
6-32 x 5 mm
[0.197]



Notes

Appendix B

Power Supply Specifications

This appendix lists power supply specifications for your chassis system.

200W	
MFR Part #	PWS-201-1H
Rated AC Voltage	100 - 240V 50 - 60Hz 4-2Amp
+5V standby	2 Amp
+12V	16 Amp
+5V	8 Amp
+3.3V	8 Amp
-12V	0.5 Amp

Notes

Free Manuals Download Website

<http://myh66.com>

<http://usermanuals.us>

<http://www.somanuals.com>

<http://www.4manuals.cc>

<http://www.manual-lib.com>

<http://www.404manual.com>

<http://www.luxmanual.com>

<http://aubethermostatmanual.com>

Golf course search by state

<http://golfingnear.com>

Email search by domain

<http://emailbydomain.com>

Auto manuals search

<http://auto.somanuals.com>

TV manuals search

<http://tv.somanuals.com>